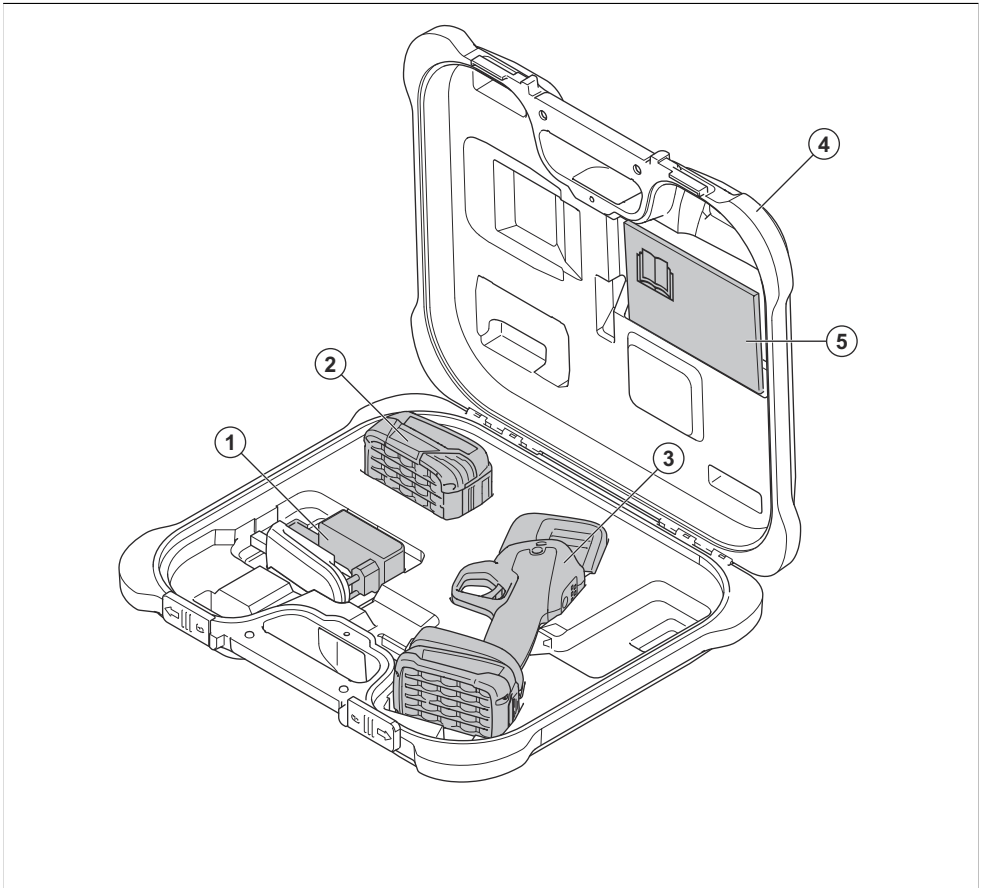


---

# Aspire PS30X-BOX

---



1. Battery charger
2. Battery
3. Aspire PS30X-P4A
4. Aspire PS30X-BOX
5. Operators manual/Quick guide

---

**Note:** The Aspire PS30X-BOX is sold empty. The products shown in the Aspire PS30X-BOX are not included.

---



[www.husqvarna.com](http://www.husqvarna.com)

Original instructions



1144807-26 Rev. A



2025-11-26