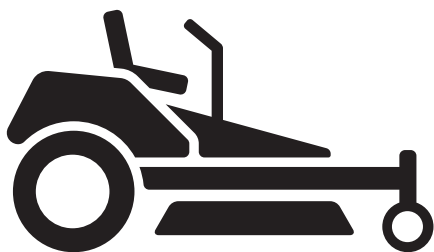




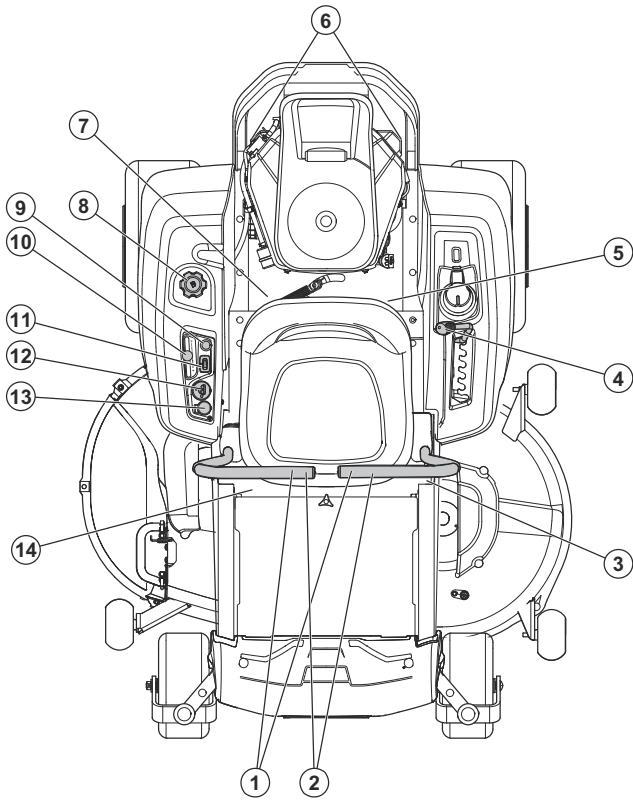
Husqvarna®



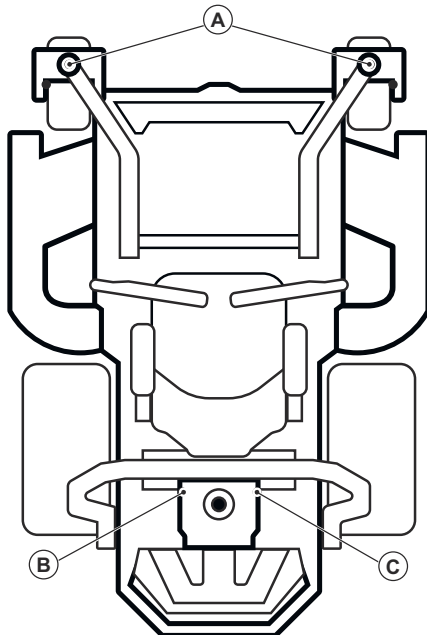
Z242F

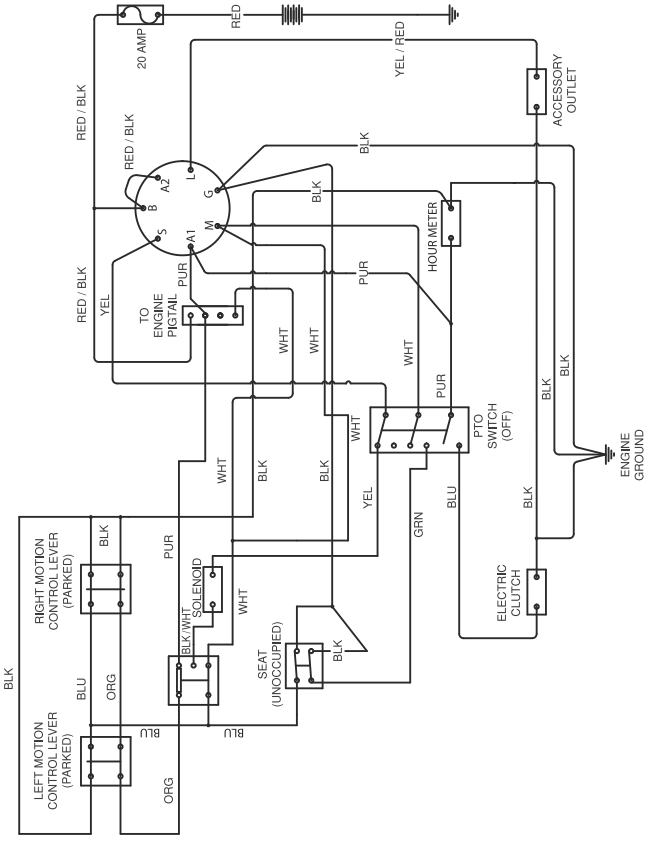
EN	Operator's manual	8-31
DE	Bedienungsanweisung	32-57
ES	Manual de usuario	58-82
FR	Manuel d'utilisation	83-108
IT	Manuale dell'operatore	109-133
NL	Gebruiksaanwijzing	134-157

1

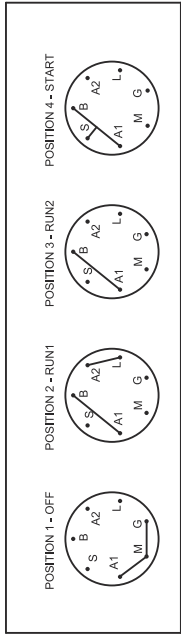


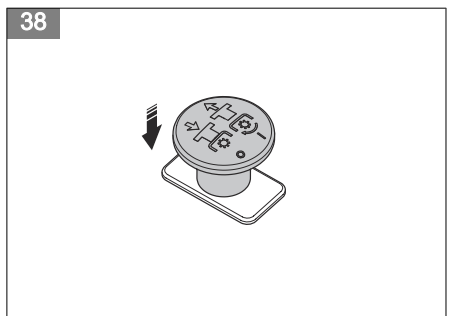
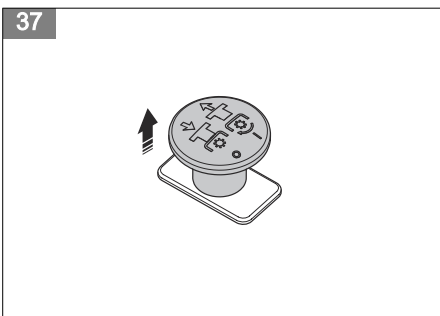
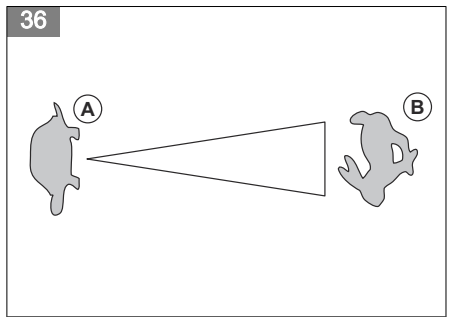
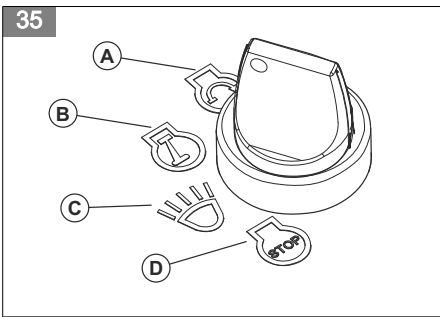
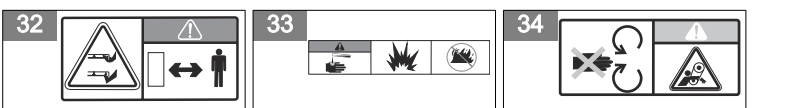
2



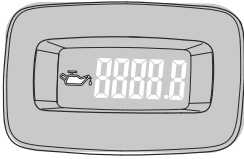


KEY SWITCH POSITIONS

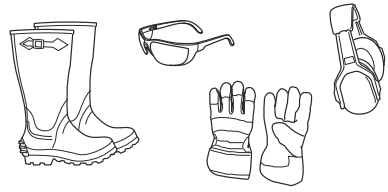




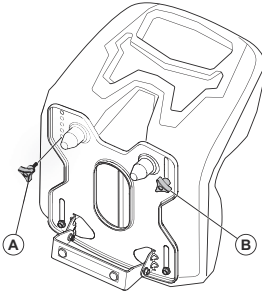
39



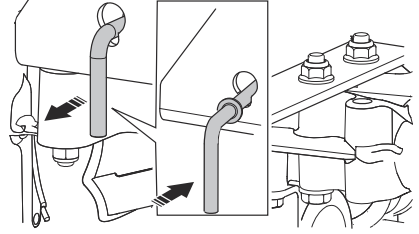
40



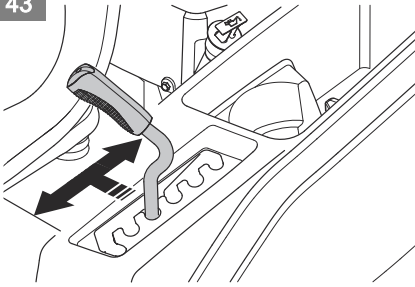
41



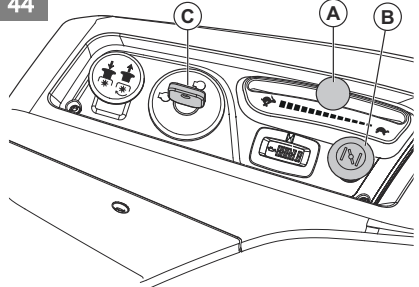
42



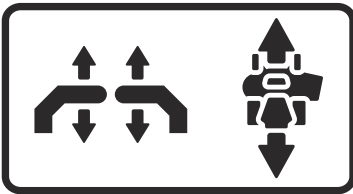
43



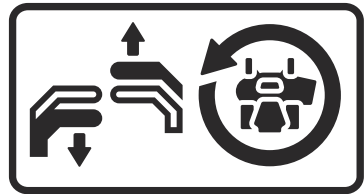
44



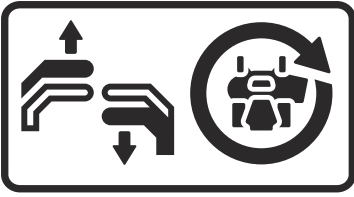
45



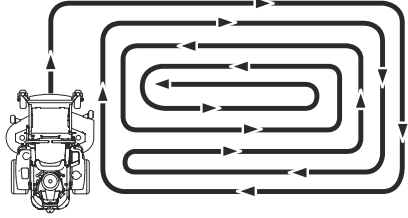
46



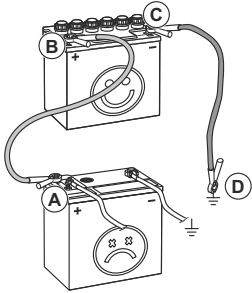
47



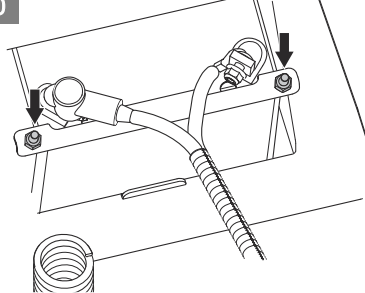
48



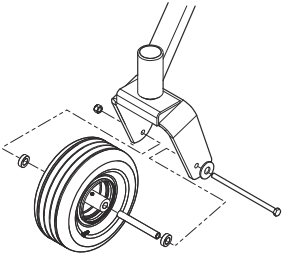
49



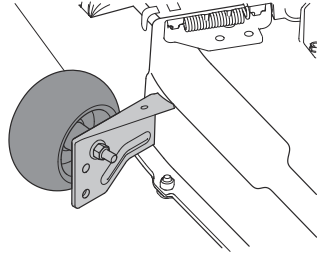
50



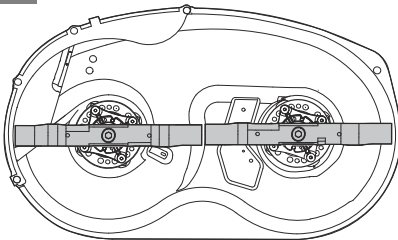
51



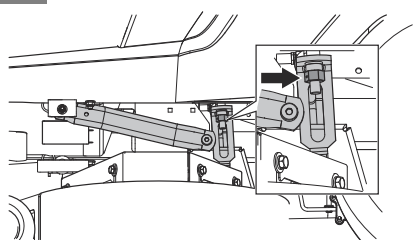
52



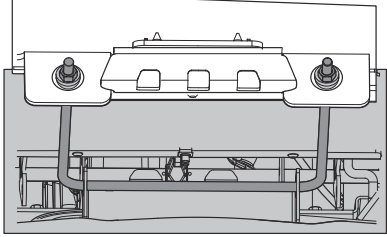
53



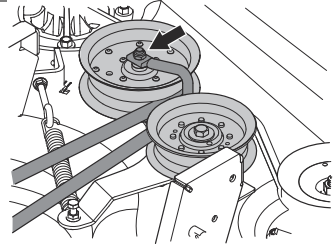
54



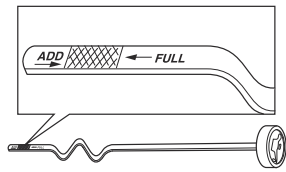
55



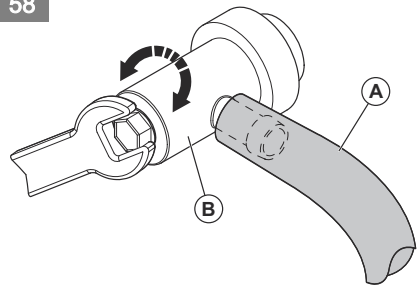
56



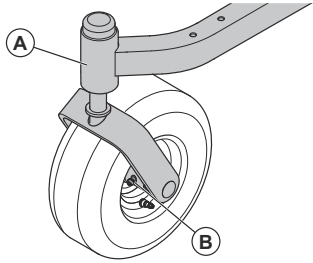
57



58



59



Contents

Introduction.....	8	Technical data.....	27
Safety.....	10	Service.....	29
Operation.....	15	EU declaration of conformity.....	30
Maintenance.....	17	UK Declaration of conformity	31
Troubleshooting.....	23	Diagrams.....	31
Transportation, storage and disposal.....	25	Appendix	158

Introduction

Pre-delivery inspection and product numbers

A pre-delivery inspection has been done of this product. Make sure that you receive a signed copy

of the pre-delivery inspection document from your dealer.

Service agent contact information:	
This operator's manual is for product with product number / serial number:	
/	
Engine:	
Transmission:	

The product numbers are found on the type plate. Refer to *Product overview on page 8* for the location of the type plate.

the speed of the product. An hour meter shows how many hours the product has been used.

Product description

This product is a ride-on lawn mower. The control levers let the operator steer the product and adjust

Intended use

The product is made to cut grass on open and level ground only. Do not use the product for other tasks.

Product overview

(Fig. 1)

1. Control levers
2. Parking brake
3. Tracking control
4. Deck lifting lever
5. Fuses
6. Bypass linkage
7. Fuel shut-off valve
8. Fuel tank
9. Choke control
10. Throttle control
11. Hour meter
12. Ignition switch
13. PTO button
14. Type plate

rearward from a neutral position. Refer to *To operate the product on page 16*.

Operator Presence Control (OPC)

The OPC engages when the operator lifts from the seat. The engine and the drive to the blades stop if the blades are engaged or the parking brake is not applied. Refer to *Operation conditions on page 12*.

Ignition key

The ignition key has 4 positions:

- Start position (A)
- Run position (B)
- Headlight position (C)
- Stop position (D)

(Fig. 35)

Headlights

(Fig. 35)

Steering controls

The direction of the product is controlled by the 2 control levers. Refer to *Product overview on page 8*. The control levers can be moved forward and

- Turn the ignition key to the headlight position (C) to operate the product with the headlights on.
- Turn the ignition key to the run position (B) to operate the product with the headlights off.

Throttle control

The throttle control adjusts the speed of the engine and the speed of the blades if the blades are engaged. The throttle control has 2 end positions, idle speed and full throttle. (Fig. 36)

- Idle speed (A) - decreases the engine speed.
- Full throttle (B) - increases the engine speed.



CAUTION: Do not operate the engine at idle speed (A) for longer time than necessary. Too much operation time at idle speed can decrease the life of the spark plugs.

Choke control

The choke control is used for cold starts to supply more fuel to the engine. Pull up the choke control when you start a cold engine.

Refer to *Product overview on page 8* for the position of the choke control.

PTO (Power Take-Off) button

The PTO button engages and disengages the PTO clutch and the cutting deck or other equipment connected to it. The correct start conditions must be obeyed to engage the drive of the blades. Refer to *Operation conditions on page 12* for the correct start conditions.

- Pull the PTO button out to engage the drive to the blades or other equipment. (Fig. 37)
- Push the PTO button in to disengage the drive to the blades or other equipment.

(Fig. 38)

Fuel shut-off valve

Refer to *Product overview on page 8* for the position of the fuel shut-off valve.

The fuel shut-off valve is closed when the tab on the knob is perpendicular to the fuel line.

Fuses

The location of the fuses is in the fuse box. The fuse box is below the seat. Tilt the seat forward to get access the fuse box. Refer to the decal on the fuse box for identification of the different fuses.

Hour meter

The product has an hour meter that show how many hours of operation that the blades have been

engaged. Refer to *Product overview on page 8* for the position of the hour meter.

(Fig. 39)

Each 50 hours an oil level symbol will show for 2 hours. Refer to *To do a check of the engine oil level on page 22*.

Symbols on the product

(Fig. 4) **WARNING:** This product can be dangerous and cause serious injury or death to the operator or others. Be careful and use the product correctly.

(Fig. 5) Use protective glasses.

(Fig. 6) Parking brake.

(Fig. 7) Engine speed – fast.

(Fig. 8) Slow.

(Fig. 9) Choke control.

(Fig. 10) Fuel.

(Fig. 11) Use protective gloves.

(Fig. 12) Stop the engine before maintenance.

(Fig. 13) Do not operate the product without deflector or grass catcher.

(Fig. 14) Always use approved hearing protection.

(Fig. 15) Do not put your foot here.

(Fig. 16) Neutral gear.

(Fig. 17) Reverse gear.

(Fig. 18) Read the operator's manual carefully and make sure that you understand the instructions before you use the product.

(Fig. 19) Keep a safe distance from the product.

(Fig. 20) Do not operate the product on slopes larger than 10°.

(Fig. 21) Do not keep passengers.

(Fig. 22) Look out for ejecting objects and ricochets.

(Fig. 23) Keep hands and feet clear.

- (Fig. 24) Keep hands away from rotating parts.
- (Fig. 25) Look out for persons and animals when you operate the product forward.
- (Fig. 26) Look out for persons and animals when you operate the product rearward.
- (Fig. 27) Cutting height low.
- (Fig. 28) Cutting height high.
- (Fig. 29) Sound power level.
- (Fig. 30) The product agrees with the applicable EC directives.
- (Fig. 31) This product conforms to the applicable UK regulations.
- (Fig. 32) Keep away from the discharge deck.
- (Fig. 33) Warning! Battery acid is corrosive, explosive and flammable.
- (Fig. 34) Keep body parts away from rotating parts.

yyyywwxxxx

The rating plate shows serial number. **yyyy** is the production year and **ww** is the production week.

Note: Other symbols/decals on the product refer to certification requirements for some commercial areas.

Product damage

We are not responsible for damages to our product if:

- the product is incorrectly repaired.
- the product is repaired with parts that are not from the manufacturer or not approved by the manufacturer.
- the product has an accessory that is not from the manufacturer or not approved by the manufacturer.
- the product is not repaired at an approved service center or by an approved authority.

Euro V Emissions



WARNING: Tampering with the engine voids the EU type-approval of this product.

Safety

Safety definitions

Warnings, cautions and notes are used to point out specially important parts of the manual.



WARNING: Used if there is a risk of injury or death for the operator or bystanders if the instructions in the manual are not obeyed.



CAUTION: Used if there is a risk of damage to the product, other materials or the adjacent area if the instructions in the manual are not obeyed.

Note: Used to give more information that is necessary in a given situation.

General safety instructions



WARNING: Read the warning instructions that follow before you use the product



WARNING: Failure to follow cautious operating practices can result in dangerous injury to the operator or other persons. The owner must understand these instructions, and must let only approved persons who understand these instructions to operate the mower. Each person operating the mower must be of sound mind and body and must not be under the influence of mind altering substances.



WARNING: This product is capable of amputating hands and feet and throwing objects. Failure to observe the following safety instructions could result in serious injury or death.

- Read, understand, and follow instructions and warnings in this document, the operator's manual and on the product, engine and attachments.
- Only allow operators, who are responsible, trained, familiar with the instructions, and physically capable to operate the product.
- Make sure to inform a person that you are going to operate the product if an injury or accident occurs.

- Do not carry passengers and keep bystanders away.
- Do not operate the product while under the influence of alcohol or drugs.
- Follow the manufacturer's recommendation for wheel weights or counterweights.
- Learn how to use the product and its controls safely and learn how to stop the product quickly.
- Learn to recognize the safety decals.
- Keep the product clean to make sure that you can clearly read signs and stickers.
- Keep in mind that the operator will be held responsible for accidents that involve other persons or their property.
- Only use the product in daylight or in other well-lit conditions. Keep the product at a safe distance from holes or other irregularities in the ground. Look out for other possible risks.
- Do not let children or other persons not approved for operation of the product to use or do servicing on it. Local laws may regulate the age of the user.
- Make sure that nobody else is in the vicinity of the product when you start the engine, engage the drive or start to move the product.
- Keep an eye on the traffic when you mow near a road or move across a road.
- Do not use the product if you are fatigued, while under the influence of alcohol or drugs, medicine or anything that can have a negative effect on your vision, alertness, coordination or judgement.
- Always park the product on a level surface with the engine stopped.
- Do not make modifications to this product.
- Do not operate the product if it is possible that other persons have made modifications to the product.
- Before and while you move the product in reverse, look behind you and look down for small children.
- Do not let children operate the product.
- The American Academy of Paediatrics recommends that children be a minimum of 16 years of age before operating a riding lawn mower.
- Do not carry children, even with the blade(s) shut off. Children could fall off and be seriously injured or interfere with safe product operation. Children who have been given rides in the past could suddenly appear in the mowing area for another ride and be run over or backed over by the product.

Safety instructions for operation



WARNING: Read the warning instructions that follow before you use the product.



WARNING: Do not touch the engine or exhaust system during or directly after operation. The engine and the exhaust system become very hot during operation. Risk of burn injuries, fire and damage to property or adjacent areas. When you operate the product, keep away from bushes and other objects.

Safety instructions regarding children



WARNING: Children can be seriously injured or killed by this product. Read the warning instructions that follow before you use the product. Keep children away.

- Tragic accidents can occur if the operator is not alert to the presence of children. Children are often attracted to the product and the mowing activity. Never assume that children will remain where you last saw them.
- Keep children out of the operating area and under the watchful care of a responsible adult other than the operator.
- Keep an eye out and stop the product immediately, if children enter the work area. Be very careful near corners, bushes, trees or other objects that prevents a clear view.
- Use extreme care when going near blind corners, shrubs, trees, or other objects that can block your view of a child.
- Only operate the engine in well ventilated areas. Exhaust gases contain carbon monoxide, a deadly poison.
- Only operate the product in daylight or good artificial light.
- Clear the area of objects such as stones, toys, wires, etc. that may become caught in the blades and be thrown out.
- Avoid holes, ruts, bumps, rocks, or other hidden hazards. Uneven terrain could overturn the product, or cause operator to lose their balance or footing.
- Do not put hands or feet near rotating parts or under the product. Keep clear of the discharge opening at all times.
- Do not operate the product without the full grass catcher, discharge guard, or other safety devices in place and working.
- Do not direct discharge material toward anyone. Avoid discharging material against a wall or obstruction. Material may ricochet back toward the operator. Stop the blade(s) when crossing gravel surfaces.
- Do not leave a running product unattended. Always park on level ground, disengage the attachment, set parking brake, and stop engine/motor.

- Do not mow in reverse unless absolutely necessary. Always look down and behind before and while backing.
- Decrease speed before turning.
- Decrease the speed before you turn around a corner.
- Data shows that operators age 60 years and above are involved in a large percentage of riding mower-related injuries. These operators must evaluate if they can safely operate the riding mower sufficiently to protect themselves and others from injury.

Safety instructions for operation on slopes



WARNING: Read the warning instructions that follow before you use the product.

Slopes are a major factor related to accidents. Operation on slopes requires extra caution.

- Travel in the manufacturer recommended direction on slopes. Use caution while operating near dropoffs.
- Avoid mowing wet grass. The tires can lose traction.
- Do not operate product under any condition where traction, steering, or stability is in question. Tires could slide even if the wheels are stopped.
- Always keep the product in gear when going down slopes. Do not coast downhill.
- Avoid starting and stopping on slopes. Avoid making sudden changes in speed or direction. Make turns slowly and gradually.
- If the tires lose traction, disengage the blades and continue slowly straight down the slope.
- Use extra care while operating product with a grass catcher or other attachment(s). They can affect the stability of the product.
- To cut grass on slopes increases the risk that you can not control the product and that it overturns. This can cause injury or death. It is necessary to cut the grass carefully on all slopes. If you cannot reverse up a slope or if you do not feel safe, do not cut it.
- Remove stones, branches and other obstacles.
- Cut the grass on the slope up and down, not from side to side.
- Do not operate the product on ground that slopes more than 10°.
- Move smoothly and slowly on slopes.
- Look out for and do not move across furrows, holes and bumps. There is a higher risk that the product overturns on ground that is not flat. Long grass can hide obstacles.
- Do not cut grass near edges, ditches or banks. Keep at least the width of the machine away from these hazards. The product can suddenly overturn if a wheel moves across the edge of a steep slope or a ditch, or if an edge gives way.

Personal protective equipment



WARNING: Read the warning instructions that follow before you use the product.

- Use approved personal protective equipment when you use the product. Personal protective equipment cannot fully prevent injury but it decreases the degree of injury if an accident does occur. Let your dealer help you select the right equipment.
- Always wear approved hearing protection. Long term exposure to noise can result in permanent hearing impairment.
- Always wear safety glasses or eye protection while you operate the product or do maintenance or repairs.
- Always wear protective shoes or protective boots. Steel toes are recommended. Do not use the product barefoot.

(Fig. 40)

- Wear gloves when necessary, for example when you attach, examine or clean the cutting equipment.
- Do not wear loose-fitting clothing, jewelry or other items that can get caught in moving parts.
- Do not wear shorts when you operate the product.
- Keep first aid equipment and fire extinguisher close at hand.

Safety devices on the product



WARNING: Read the warning instructions that follow before you use the product.

- Do not use a product with safety devices that are damaged or do not operate correctly. Do a check of the safety devices regularly. If the safety devices are damaged, speak to your Husqvarna service agent.
- Do not make modifications on safety devices. Do not use the product if protective plates, protective covers, safety switches or other protective devices are not attached or are damaged.

To do a check of the ignition key

- Start and stop the engine to do a check of the ignition key. Refer to *To start the engine on page 16* and *To stop the engine on page 17*.
- Make sure that the engine starts when you turn the ignition key to start position.
- Make sure that the engine stops immediately when you turn the ignition key to stop position.

Operation conditions

These conditions are necessary to start the engine:

- The control levers are in the neutral position.
- The parking brake is applied.
- The drive of the blades is disengaged.
- The OPC is pushed down.

The engine must stop in these situations:

- The parking brake is not applied and the operator lifts from the seat.
- The drive of the blades is engaged and the operator lifts from the seat.

Try to start the engine without 1 of the conditions. Change the conditions and try again. Do this check daily.

Parking brake



WARNING: If the parking brake does not work, the product can start to move and cause injury or damage. Make sure that the parking brake is regularly examined and adjusted.

Refer to *To do a check of the parking brake on page 20*.

Muffler



WARNING: Do not use the product if the muffler is missing or damaged. A muffler that is damaged or missing increases the noise level and the risk of fire.

The muffler keeps the noise levels to a minimum and sends the exhaust fumes away from the operator.

Examine the muffler regularly to make sure that it is attached correctly and not damaged.



WARNING: The muffler becomes very hot during and after use and when the engine operates at idle speed. Be careful near flammable materials and/or fumes to prevent fire.

To do a check of the muffler

- Examine the muffler regularly to make sure that it is attached correctly and not damaged.

Spark arrestor

This product has an internal-combustion engine. Do not use the product near vegetation without a spark arrestor that is approved by local or state laws. Federal laws apply on federal lands.

A spark arrestor for the muffler is available through your approved Husqvarna dealer.

Protective covers

Missing or damaged protective covers increase the risk of injury on moving parts and hot surfaces. Do a check of the protective covers before you operate the product. Make sure that the protective covers are correctly attached and do not have cracks or other damages. Replace damaged covers.

Fuel safety



WARNING: Read the warning instructions that follow before you use the product.



WARNING: Be careful with fuel. It is very flammable, and can cause injury and damage to property.

- Extinguish all cigarettes, cigars, pipes and other sources of ignition.
- Use only an approved fuel container.
- Do not remove fuel cap or add fuel with the engine running or while hot.
- Do not refuel indoors or in enclosed spaces.
- After refueling, replace the gas cap and tighten securely.
- Do not store the product or fuel container, or refuel, where there is an open flame, spark, or pilot light such as on a water heater or other appliance.
- If you spill fuel on your clothing, change clothing immediately.
- If fuel is spilled, do not attempt to start the engine and avoid creating any source of ignition until fuel vapors have dissipated.
- To help prevent fires: keep product free of grass, leaves, or other debris build up; clean up oil or fuel spillage and remove any fuel soaked debris; allow product to cool before storing.
- Use extra care in handling gasoline and other fuels. They are flammable and vapors are explosive.
- Gasoline and gasoline fumes are poisonous and very flammable. Be careful with gasoline to prevent injury or fire.
- Let the engine become cool before you refuel.
- Do not fill fuel near sparks or naked flames.
- If there are leaks in the fuel system, do not start the engine until the leaks are repaired.
- Do not fill above recommended fuel level. The heat from the engine and the sun makes the fuel expand and the fuel overflows if the tank is filled too much.
- Store the product and fuel in such a way that there is no risk that fuel leaks or fumes can cause damage.

Transport safety

- Use an approved transport vehicle for transportation of the product.
- The product is heavy and can cause crush injuries. Be careful when you load it onto or off a vehicle or trailer.
- A markets national or local regulations can set limit to the transportation of the product.
- The operator of the transport vehicle is responsible to attach the product safely during transport. Refer to *Transportation on page 25*.

Hauling

- Use full width ramps for loading and unloading a product for transport.

Tow safety

- Follow the manufacturer's recommendation for weight limits for towed equipment and towing on slopes.
- Only use tow equipment approved by Husqvarna.
- Use the tow bar to attach the equipment.
- Make sure that no other persons are near the product when you tow equipment.
- Do not let children or others in or on the towed equipment.
- Do not tow on slopes or rough ground. The weight of the towed equipment can cause loss of traction and loss of control.

Battery safety



WARNING: A damaged battery can cause an explosion and cause injury. If the battery has a deformation or is damaged, speak to an approved Husqvarna service agent.



WARNING: Read the warning instructions that follow before you use the product.

- Use protective glasses when you are near batteries.
- Do not wear watches, jewelry or other metal objects near the battery.
- Keep the battery out of reach for children.
- Charge the battery in a space with good airflow.
- Keep flammable materials at a minimum clearance of 1 m when you charge the battery.
- Discard replaced batteries. See *Disposal on page 26*.
- Explosive gases can come from the battery. Do not smoke near the battery. Keep the battery away from open flames and sparks.

Safety instructions for maintenance



WARNING: Read the warning instructions that follow before you use the product.



WARNING: The product is heavy and can cause injury or damage to property or the adjacent area. Do not do maintenance on the engine or the cutting deck without these conditions:

- The engine is off.
- The product is parked on a level surface.
- The parking brake is applied.
- The ignition key in stop position and removed.
- The blades are disengaged.
- All moving parts have stopped.
- The ignition cables are removed from the spark plugs.



WARNING: Fluid escaping under pressure may have sufficient force to penetrate skin and cause serious injury. If fluid is injected into the skin, seek immediate medical attention. Keep body and hands away from pin holes or nozzles that eject fluid under high pressure. If a leak occurs, have the product immediately serviced by a trained technician.



WARNING: The exhaust fumes from the engine contain carbon monoxide, an odorless, poisonous and very dangerous gas. Do not run the product in closed spaces or spaces with no sufficient air flow.

- Keep the product in good working order. Replace worn or damaged parts.

Use caution when servicing blades. Wrap the blade(s) or wear gloves. Replace damaged blades. Do not repair or alter blade(s).

If equipped, disconnect spark plug wire(s) and the negative battery cable before making any repairs.

For best performance and safety, do maintenance on the product regularly as given in the maintenance schedule. Refer to *Maintenance schedule on page 17*.

- Electrical shocks can cause injuries. Do not touch the cables when the engine is on. Do not do a function test on the ignition system with your fingers.

- Let the product become cool before you do maintenance near the engine.
- The blades are sharp and can cause cuts. Wind protection around the blades or use protective gloves when you do work on the blades.
- Do not turn the engine over if the spark plug or ignition cable is removed.
- Make sure that all nuts and bolts are tightened correctly and that the equipment is in good condition.
- Do not change the adjustment of governors. If the engine speed is too high, the product components can become damaged. Refer to *Technical data on page 27* for highest permitted engine speed.
- The product is approved only with the equipment supplied or recommended by the manufacturer.

Operation

Introduction



WARNING: Before you operate the product, you must read and understand the safety chapter.

To operate the product for the first time



WARNING: Before you operate the product for the first time, you must read and understand this chapter.

- Use a decreased throttle speed and a decreased ground speed when you operate the product for the first time.
- Do not move the control levers to the fully forward position or the fully reverse position during the initial operation.
- Learn how to operate the movement of the product on a hard surface, for example concrete or asphalt, before you operate the product on a lawn for the first time.

To do before you operate the product



WARNING: Before you operate the product, you must read and understand the safety chapter.



WARNING: Before you operate the product, you must make sure that there are no stones or other objects in the work area that can be thrown by the rotating blades.

- Do the daily maintenance. Refer to *Maintenance schedule on page 17*.
- Make sure that there is sufficient fuel in the fuel tank.
- Set the cutting height. Refer to *To set the cutting height on page 16*.

To fill fuel



WARNING: Gasoline is very flammable. Be careful and refuel outdoors, refer to *Fuel safety on page 13*.



WARNING: The engine and the exhaust system become very hot during operation. Risk of burn injury. Let the engine and the exhaust system become cool before you fill fuel in the product.



WARNING: Do not use the fuel tank as a support area.



CAUTION: Incorrect type of fuel can result in engine damage.

The engine runs on gasoline with a minimum octane rating of 91 RON (87 AKI), not mixed with oil. We recommend biodegradable alkylate gasoline.

- Do a check of the fuel level before each use and refuel if it is necessary.
- Do not fill the fuel tank fully. Fill to the bottom of the fuel tank neck.

To adjust the seat

1. Lift the seat up and remove the seat adjustment knob (A).
2. Loosen the seat adjustment knob (B). (Fig. 41)
3. Move the seat until it is in the correct position.
4. Line up the hole in the seat plate for seat adjustment knob (A) with the hole in the seat.
5. Install and tighten the seat adjustment knob (A).
6. Tighten the seat adjustment knob (B).

To fold the seat

The seat can be folded forward to get access to the battery and hydrostatic gears.

1. Park the product on level ground.
2. Push the seat forward to fold the seat forward.

To engage and disengage the parking brake

This product has no dedicated parking brake lever. The parking brake is integrated in the 2 control levers.

- Push the 2 control levers away from the seat at the same time to engage the parking brake. Refer to *Product overview on page 8* for the location of the control levers.

Note: The product must be stationary when you engage the parking brake.

Note: The engine will stop if you do not push the 2 control levers away from the seat at the same time.

- Pull the 2 control levers in the direction of the seat to disengage the parking brake.

To disengage and engage the drive system



CAUTION: Only disengage or engage the drive system when the product is parked on level ground.

If it is necessary to move the product by hand, with the engine off, the drive system must be disengaged. The drive system is disengaged and engaged by the bypass linkage. The bypass linkages are found below the rear engine guard.

Follow the procedure below to disengage the drive system.

1. Park the product on level ground and stop the engine.



WARNING: Let the engine become cool before you disengage or engage the drive system.

2. Remove the ignition key.
3. Set the cutting deck to transport position.
4. Set the control levers to neutral position.
5. Pull the bypass linkages up and out of the slots. (Fig. 42)
6. Engage the drive system in opposite sequence.

To set the cutting deck in transport position or mow position

The cutting deck must be in transport position during transportation.

- To set the product in transport position, pull the cutting height lever in the direction of the seat and put it in the highest cutting height position.
- To set the product in mow position, set the correct cutting height. Refer to *To set the cutting height on page 16*.

To set the cutting height

1. Pull the cutting height lever in the direction of the seat. (Fig. 43)
2. Steer the cutting height lever to the notch for the correct cutting height.

To start the engine

1. Sit on the seat.
2. Push the PTO button to disengage the drive on the cutting deck. (Fig. 38)
3. Set the cutting deck in transport position. Refer to *To set the cutting deck in transport position or mow position on page 16*.
4. Engage the parking brake. Refer to *To engage and disengage the parking brake on page 16*.
5. Move the throttle lever (A) to ½ throttle position. (Fig. 44)
6. If the engine is cold, pull the choke control (B) up.
7. Press and turn the ignition key (C) to the start position.
8. When the engine starts, immediately release the ignition key to the run position.

Note: Do not keep the ignition key in the start position for more than 5 seconds at a time. If the engine does not start, wait 15 seconds before you try again.

9. If the engine is cold, slowly push the choke control down.
10. Let the engine run at ½ throttle for 3-5 minutes before you apply full throttle.
11. Push the throttle control to the full throttle position.

To operate the product

1. Start the engine. Refer to *To start the engine on page 16*.
2. Disengage the parking brake. Refer to *To engage and disengage the parking brake on page 16*.
3. Carefully push the 2 control levers forward. The product will start to move forward. The forward speed increases the more the 2 control levers are pushed forward. (Fig. 45)
4. Carefully pull the 2 control levers rearward. The product will start to move rearward. The rearward speed increases the more the 2 control levers are pulled rearward.

5. Put the 2 control levers in neutral position to decrease the speed and stop the product.
 6. Do the steps that follow to turn left or right when you go in a forward direction.
 - a) Pull the left control lever rearward in the direction of the neutral position to make the product turn left. The more you pull the left control lever rearward, the more the product will turn left. (Fig. 46)
 - b) Pull the right control lever rearward in the direction of the neutral position to make the product turn right. The more you pull the right control lever rearward, the more the product will turn right. (Fig. 47)
 7. Do the steps that follow to make a zero turn.
 - a) Pull the 2 control levers rearward in the direction of the neutral position to decrease the speed or stop the product.
 - b) Move 1 control lever slightly forward and the other control lever slightly rearward to make a zero turn.
 8. Lower the cutting deck to mow position. Refer to *To set the cutting deck in transport position or mow position on page 16*.
 9. Pull up the PTO button to engage the drive of the blades.
 10. If it is necessary to adjust the cutting height during operation, refer to *To set the cutting height on page 16*.
4. Put the cutting deck in the transport position.
 5. Move the throttle control to the minimum throttle position.
 6. Let the engine idle for a minimum of 1 minute until the engine is at usual operation temperature.
 7. Turn the ignition key to the stop position.
 8. Remove the ignition key from the ignition when you are away from the product.

To get a good cutting result

- For best performance, do maintenance on the product regularly as given in the maintenance schedule. Refer to *Maintenance on page 17*.
- Do not cut a wet lawn. Wet grass can give a bad cutting result.
- Start with a high cutting height and decrease it gradually.
- Use full throttle when you cut the grass.
- Move the product forward at low speed if the grass is high and thick.
- Cut the grass in an irregular pattern.
- When you cut large areas, move the product to the right during 1 or 2 turns around the work area. This procedure will keep the grass discharge away from shrubs, fences and driveways. After approximately 2 turns around the work area, cut in the opposite direction. (Fig. 48)
- When the mulch kit is used, cut the grass more frequently.
- To get the best cutting result, cut the grass frequently.

To stop the engine

1. Move the 2 control levers to the neutral position to stop the product.
2. Engage the parking brake.
3. Push down the PTO button to disengage the drive of the blades. (Fig. 38)

Maintenance

Introduction



WARNING: Before you do any maintenance work you must read and understand the safety chapter.

X = The instructions are given in this operator's manual.

O = Refer to the engine manual for instructions.

Maintenance schedule for the operator

Maintenance schedule

* = The instructions are not given in this operator's manual.

Maintenance	Daily maintenance		Do maintenance at a minimum of 1 time each year	Maintenance interval in hours			
	Before	After		25	50	100	300
Do a check of the parking brake.	X						
Do a check of the level of the engine oil.	O						

Maintenance	Daily maintenance		Do maintenance at a minimum of 1 time each year	Maintenance interval in hours			
	Before	After		25	50	100	300
Do a check of the safety system.	X						
Make sure that there are no fuel or oil leaks from the product.	*						
Make sure that there are no damage on the product.		*					
Make sure that there are no loose parts.		*					
Do a check for damages on the cutting deck.		*					
Do a check of the cutting deck for adjustment.			X				X
Do a check of the tire pressures.	X			X	X	X	X
Do a check of the battery connections.			X	X	X	X	X
Do a check of the throttle cable.						O	
Do a check of the caster wheels (each 200 hours).			X			X	
Do a check of the clearance of the engine valve. ¹			*				*
Clean the air intake of the engine. ²			O	O			
Clean the bottom side of the cutting deck.		X					
Clean around the engine.		*					
Clean around the belts and the belt pulleys.		*			*	*	*
Do a check of the belts and the belt pulleys.			X			X	
Clean the foam pre-filter. ³			O	O			
Replace the foam pre-filter. ^{4,5}			O				

¹ Must be done by approved service agent.

² In conditions with dust, cleaning and replacement must be done more frequently.

³ In conditions with dust, cleaning and replacement must be done more frequently.

⁴ In conditions with dust, cleaning and replacement must be done more frequently.

⁵ If the product is equipped with the foam pre-filter.

Maintenance	Daily maintenance		Do maintenance at a minimum of 1 time each year	Maintenance interval in hours			
	Before	After		25	50	100	300
Clean the paper filter cartridge. ⁶			O	O			
Examine the muffler and spark arrestor screen.			*		*	*	*
Start the engine and blades and listen for unusual sounds.		*					
Sharpen the blades. ⁷			X	X			
Replace the blades.			X	X			
Replace the spark plugs.			O			O	
Replace the engine oil. ⁸			O	O			
Replace the engine oil filter.			O			O	
Replace the fuel filter.			O			O	
Replace the paper air filter. ⁹			O			O	
Do the 300-hour servicing. ¹⁰			*				*

To clean the product



CAUTION: Do not use a high-pressure washer or a steam cleaner. Water can go into bearings and electrical connections and cause corrosion which causes damage to the product.

Clean the product immediately after use.

- Do not clean hot surfaces such as the engine, muffler and exhaust system. Wait until the surfaces are cool, then remove the grass or dirt.
- Before you clean with water, clean with a brush. Remove grass and dirt on and around the transmission, the transmission air intake, and the engine.
- Use running water from a hose to clean the product. Do not use high-pressure.
- Do not point the water at electrical components or bearings. Detergent usually increases the damage.
- Use compressed air to clean the top side of the mower deck.

- Use a water hose to clean below the cutting deck.
- When the product is clean, start the cutting deck for a short period to remove remaining water.

To clean the engine and the muffler

Keep the engine and muffler free from grass cuttings and dirt. Grass cuttings soaked in fuel or oil on the engine can increase the fire risk and the risk that the engine becomes too hot. Let the engine cool before it is cleaned. Clean with water and a brush.

Grass cuttings around the muffler dry quickly and are a fire risk. Use a brush or remove the grass cuttings with water when the muffler is cold.

To clean the battery

Corrosion and dirt on the battery and the terminals can cause the power of the battery to decrease.

1. Remove the battery. Refer to *To remove and install the battery on page 20*.
2. Flush the battery with water and let dry.

⁶ In conditions with dust, cleaning and replacement must be done more frequently.

⁷ Must be done by approved service agent.

⁸ Replace the engine oil after the first 8-10 hours of operation. During heavy load or high ambient temperatures, replace the engine oil each 50 hours.

⁹ In conditions with dust, cleaning and replacement must be done more frequently.

¹⁰ Must be done by approved service agent.



CAUTION: Do not use a high-pressure washer or a steam cleaner. Water can go into bearings and electrical connections and cause corrosion which causes damage to the product.

3. Clean the terminals and the cable ends of the battery cables with a wire brush.

To do a check of the parking brake

1. Park the product on a slope with a hard surface.

Note: Do not park the product on a grass slope when you do a check of the parking brake.

2. Engage the parking brake.
3. If the product starts to move with the parking brake engaged, let an approved service agent adjust the parking brake.
4. Disengage the parking brake.

To charge the battery

- Charge the battery if it is too weak to start the engine. Refer to *Battery charging times on page 29* for battery charging times.
- Use a standard battery charger.



CAUTION: Do not use a boost charger or start booster. A boost charger or a start booster will cause damage to the electrical system of the product.

- Always disconnect the battery charger before you start the engine.

To do an emergency start of the engine

If the battery is too weak to start the engine, you can use jumper cables to do an emergency start. This product has a 12 V system with negative ground. The product that is used for the emergency start must also have a 12 V system with negative ground.

To connect the jumper cables



WARNING: Risk of explosion because of explosive gas that comes from the battery. Do not connect the negative terminal of the fully charged battery to or near the negative terminal of the weak battery.



CAUTION: Do not use the battery of the product to start other vehicles.

1. Connect one end of the red cable to the POSITIVE battery terminal (+) on the weak battery (A). (Fig. 49)
2. Connect the other end of the red cable to the POSITIVE battery terminal (+) on the fully charged battery (B).



WARNING: Do not short circuit the ends of the red cable against the chassis.

3. Connect one end of the black cable to the NEGATIVE battery terminal (-) on the fully charged battery (C).
4. Connect the other end of the black cable to a CHASSIS GROUND (D), away from the fuel tank and the battery.

To remove the jumper cables

Note: Remove the jumper cables in the opposite sequence to how you connect them.

1. Remove the BLACK cable from the chassis.
2. Remove the BLACK cable from the fully charged battery.
3. Remove the RED cable from the 2 batteries.

To remove and install the battery

1. Fold the seat forward. Refer to *To fold the seat on page 15*.
2. Remove the bolt and the nut from the battery bracket and remove the battery bracket from the battery. (Fig. 50)
3. Use 2 wrenches to disconnect the black battery cable from the negative (-) terminal on the battery.
4. Use 2 wrenches to disconnect the red battery cable from the positive (+) terminal on the battery.
5. Carefully remove the battery from the product.
6. Install in the opposite sequence.

To adjust the tracking speed

If the product does not move straight forward, the tracking speed must be adjusted.



WARNING: Always adjust the tracking speed in an open area without bystanders.

1. Do a check of the tire pressure. Refer to *Tire pressure on page 21*.
2. Turn the tracking controls out until they are flush with the nuts. Refer to *Product overview on page 8* for the location of the tracking controls.
3. Start the product.

4. Move the control levers forward fully and operate the product at full throttle.
5. Turn the tracking control on the right side gradually until the product starts to move right.
6. Turn the tracking control on the left side gradually until the product starts to move straight forward.

Tire pressure

Make sure to have the correct tire pressure on all 4 tires. Refer to *Technical data on page 27*.

To remove and install the front wheels

1. Remove the nut and the bolt to remove the front wheels from the forks. (Fig. 51)
2. Install in the opposite sequence. Torque the nut and bolt to 50 ft-lbs / 67.8 Nm.

To adjust the anti-scalp rollers

The anti-scalp rollers keep the cutting deck in the correct position on the ground and prevent lawn scalping in most terrain conditions. The anti-scalp rollers can be set in 3 positions for different lengths of grass:

- Top position: 1.5–2.5 in. / 38–64 mm grass.
- Middle position: 2.5–4 in. / 64–102 mm grass.
- Bottom position: 4–5 in. / 102–127 mm grass.

1. Park the product on level ground and stop the engine.
2. Remove the nut, the bolt, the axle and the anti-scalp roller. (Fig. 52)
3. Install the anti-scalp roller in one of the 3 positions.



CAUTION: The cutting deck can become damaged if the anti-scalp rollers are incorrectly adjusted. The anti-scalp rollers must be approximately 1/4 in. / 6.4 mm from the ground.

To adjust the parallelism of the cutting deck

This procedure will set the cutting deck in a standard position.

1. Make sure that the tire pressure is correct. Refer to *Tire pressure on page 21*.
2. Park the product on a level surface.
3. Put the cutting deck in transport position.
4. Turn the outer blade tips to align with the cutting deck side to side. (Fig. 53)



WARNING: The blades on the cutting deck are sharp and can cause injury. Use protective gloves.

5. Measure the distance between the ground and the bottom of the blade tip on the discharge side of the cutting deck. Make a note of the distance.
6. Measure the distance between the ground and the bottom of the blade tip on the side opposite to the discharge side. The distance must be the same as the distance for the discharge side. If adjustment is necessary, adjust the adjustment nuts of the lift links until the 2 side to side distance are equal. Turn the nuts clockwise to increase the height and counterclockwise to decrease the height. (Fig. 54)
7. Turn the blades to align with the cutting deck front to rear.
8. If the front blade tip distance is not 1/8-1/2 in. / 0.3175-1.27 mm higher in the rear than in the front, turn the nuts on the front suspension linkage. Turn the nuts clockwise to increase the height and counterclockwise to decrease the height. (Fig. 55)
9. Measure the distances again to make sure that the cutting deck has been adjusted correctly.

To examine the blades



CAUTION: Damaged or incorrectly balanced blades can cause damage to the product. Replace damaged blades. Let an approved service agent help you sharpen and balance blunt blades.

- Look at the blades to see if they are damaged and if it is necessary to sharpen them.

To replace the blades

1. Remove the blade bolt.
2. Assemble the new blade with the side without stamps in the direction of the cutting deck.



WARNING: Incorrect blade type can cause objects to eject from the cutting deck and cause serious injury. Use only approved blades.

3. Attach the blade bolt. Torque the bolt to 60-81 Nm.

To remove the deck belt

Park the product on level ground and engage the parking brake before you do this task.

1. Set the cutting deck in the lowest position.
2. Remove the 2 belt covers.
3. Remove dirt and unwanted materials from around the cutter housings and the cutting deck surface.

4. Make a note of the position of the belt guide.
5. Loosen the nut on the belt guide. (Fig. 56)
6. Push in the idler arm to decrease the tension on the deck belt and carefully remove the deck belt from the pulleys.
7. Remove the deck belt from the electric clutch on the engine shaft.

To install the deck belt

1. Put the deck belt around the electric clutch pulley on the engine shaft.
2. Put the deck belt around the pulleys on the cutting deck.

Note: Refer to the routing decal on the cutting deck when you install the deck belt.

3. Push in the idler arm until you can put the deck belt around the stationary idler pulley and hold it there.
4. Carefully put the deck belt around the stationary idler pulley and slowly release the idler arm back into position.
5. Make sure that the belt routing align with the belt routing shown on the belt routing decal.
6. Make sure that the deck belt is not twisted.
7. Put the belt guide in the correct position and tighten the nut.

Note: Refer to the note you made when you removed the belt guide.

8. Install the 2 belt covers.

To do a check of the engine oil level

1. Park the product on level ground and stop the engine.
2. Pull open the operator cushion to get access to the engine.
3. Loosen the dipstick and pull it out.
4. Clean the oil from the dipstick.
5. Put the dipstick in the hole for the dipstick and tighten it.
6. Loosen and pull the dipstick out and read the oil level.
7. The oil level must be between the marks on the dipstick. If the level is near the ADD mark, fill oil to the FULL mark. (Fig. 57)
8. Fill the oil through the hole for the dipstick. Fill the oil slowly.

Note: Refer to *Technical data on page 27* for the types of engine oil that Husqvarna recommends. Do not mix different types of oil.

9. Tighten the dipstick fully before you start the engine.

To replace the engine oil

If the engine is cold, start the engine for 1–2 minutes before you drain the engine oil. This makes the engine oil warm and faster to drain.



WARNING: Do not operate the engine for more than 1–2 minutes before you drain the engine oil. The engine oil becomes very hot and can cause burn injuries. Let the engine become cool before you drain the engine oil.



WARNING: If you spill engine oil on your body, clean with soap and water.

1. Park the product on level ground and stop the engine.
2. Engage the parking brake. Refer to *To engage and disengage the parking brake on page 16*.
3. Remove all dirt around the oil tank cap.
4. Remove the oil tank cap and the dipstick.
5. Install the oil drain tube (A) on the engine oil drain valve (B). (Fig. 58)
6. Put a container below the engine to collect the engine oil.
7. Turn the oil drain valve counterclockwise to open the oil drain valve. Use a 10 mm wrench.
8. When all engine oil is drained, turn the oil drain valve clockwise to close it. Use a 10 mm wrench.
9. Use the 10 mm wrench to carefully torque the oil drain valve closed. Do not tighten too tightly.



CAUTION: Do not apply too much torque when you tighten the oil drain valve.

10. Remove the oil drain tube from the oil drain valve.
11. Fill with new oil and do a check of the engine oil level. Refer to *To do a check of the engine oil level on page 22*.
12. Install the oil tank cap and the dipstick.

Note: For safe disposal of used engine oil, refer to *Disposal on page 26*.

Lubrication, general information

- Remove the ignition key to prevent accidental movements during lubrication.
- Clean the area before you lubricate a part on the product.
- Use oil when you lubricate with an oil can.
- When you lubricate with grease, use a chassis or ball bearing grease that prevents corrosion. Remove unwanted grease after lubrication.

- Lubricate 2 times a week if you operate the product daily.
- Do not spill lubricant on the drive belts or the grooves of the belt pulleys. If you do spill, clean with alcohol. If the friction between the drive belt and the pulley is not sufficient after you clean with alcohol, replace the drive belt.



CAUTION: Do not use gasoline or other petroleum products to clean drive belts.

Lubrication schedule

(Fig. 2)

Refer to	Lubrication	Interval			
		Daily	Each 25 hours	Each 50 hours	Each 200 hours
A	Lubricate the grease nipple on the pivot axle with a grease gun.		X		
B	Do a check of the oil level.	X			
C	Replace the oil filter.				X

Always use good quality grease. Always use recommended oil, refer to *Technical data on page 27*.

- Lubricate the joint bearing of the front wheels (B) with a grease gun until grease comes out.

To lubricate the front wheels

- Grease the nipple (A) with a grease gun until grease comes out from the top washer. (Fig. 59)

Troubleshooting

Troubleshooting schedule

If you cannot find a solution to your problems in this operator's manual, speak to your Husqvarna service agent.

Problem	Cause
Engine does not start.	The drive of the blades is engaged. Refer to <i>PTO (Power Take-Off) button on page 9</i> .
	The control levers are not locked in the outer position.
	The battery is too weak. Refer to <i>To charge the battery on page 20</i> .
	There is dirt in the carburetor or the fuel line.
	The fuel shut-off valve is closed or in the incorrect position.
	The fuel filter or fuel line is clogged.
	The ignition system is damaged.

Problem	Cause
The starter motor does not turn the engine over.	The battery is too weak. Refer to <i>To charge the battery on page 20</i> .
	The connection at the cable connectors on the battery terminals is bad. Refer to <i>To clean the battery on page 19</i> .
	A fuse is blown. Refer to <i>Fuses on page 9</i> .
	The OPC does not operate correctly. Refer to <i>Operator Presence Control (OPC) on page 8</i> .
The engine does not run smoothly.	The carburetor is incorrectly set.
	The fuel filter or fuel jet is clogged.
	The throttle lever is in Cold Weather Start position.
	The check valve on the fuel tank cap is clogged.
	The fuel tank is almost empty.
	The spark plug is damaged.
	Incorrect fuel mixture or fuel type.
	There is water in the fuel.
	The air filter is clogged.
The engine apparently has no power.	The air filter is clogged.
	The spark plug is damaged.
	The carburetor is incorrectly set.
	There is air in the hydraulic system.
There is vibration in the product.	The blades are loose. Refer to <i>To examine the blades on page 21</i> .
	One or more of the blades are not balanced. Refer to <i>To examine the blades on page 21</i> .
	The engine is loose.
The engine becomes too hot.	The air filter or the cooling fins are clogged.
	There is overload in the engine.
	The airflow around the engine is not sufficient.
	The engine speed regulator is damaged.
	The oil level is too low.
	There is dirt in the fuel line.
	The spark plug is damaged.
The battery does not charge.	The connection at the cable connectors on the battery terminals is bad. Refer to <i>To clean the battery on page 19</i> .
	The charging cable is disconnected.
The product moves slowly, with irregular speed or not at all.	The bypass linkages are engaged.
	The drive belt on the transmission is loose or damaged.
	There is air in the hydraulic system.

Problem	Cause
The drive of the blades do not engage.	The drive belt on the mower deck is loose.
	The electromagnetic coupling contact is loose.
	The drive of the blade is damaged or loose from the cable connectors.
	A fuse is blown.
The transaxle leaks oil.	The seals, housing or gaskets are damaged.
	There is air in the hydraulic system.
The cutting result is unsatisfactory.	The tire pressure is different on the right and left sides. Refer to <i>Tire pressure on page 21</i> .
	The blades are damaged.
	The suspension of the cutting deck is not level.
	The blades are blunt. Refer to <i>To examine the blades on page 21</i> .
	The product is operated at too high forward or rearward speed. Refer to <i>To get a good cutting result on page 17</i> .
	The grass is long. Refer to <i>To get a good cutting result on page 17</i> .
	There is grass blockage in the cutting deck. Refer to <i>To clean the product on page 19</i> .

Transportation, storage and disposal

Transportation

- The product is heavy and can cause crush injuries. Be careful when you load it onto or off a vehicle or trailer.
- Load the product in reverse on approved ramps of a maximum operation angle of 10°. Do not lift the product.
- Use an approved trailer for transportation of the product.
- Make sure that you have knowledge of local road traffic regulations before transportation of the product in a trailer or on roads.
- Stop the fuel supply of the product.
- Lock the product with approved devices, such as straps. Use tie-down points on the product. The parking brake is not sufficient to lock the product during transportation.

To tow the product



WARNING: Before you tow the product, you must read and understand the safety chapter. Refer to *Tow safety on page 14*.

- Be careful when you tow the product.
- Operate the product slowly when you tow the product.
- The breaking distance increases when you tow the product. Make sure to decrease the speed in time.
- For safe operation, do wide turns.
- Do not tow near ditches, open water, and other dangerous areas.

Storage

Prepare the product for storage at the end of the season, and before more than 30 days of storage. If you keep fuel in the fuel tank for 30 days or more, tacky particles can cause blockage in the carburetor. This has a negative effect on the engine function.

To prevent tacky particles during storage, add a stabilizer. If alkylate gasoline is used, stabilizer is not necessary. If you use standard gasoline, do not change to alkylate gasoline. This can cause sensitive rubber parts to become hard. Add stabilizer to the fuel in the tank or in the container used for storage. Always use the mixing ratios given by the manufacturer. Add the stabilizer and run the engine

for a minimum of 10 minutes, until the fuel flows into the carburetor.



WARNING: Do not keep the product with fuel in the tank in an indoor location or in locations with bad airflow. Risk of fire if fuel fumes come near open flames, sparks, or pilot lights in for example boilers, hot water tanks and clothes dryers.



WARNING: Remove grass, leaves and other flammable materials from the product to decrease the risk of fire. Let the product become cool before you put it in storage.

- Clean the product, refer to *To clean the product on page 19*.
 - Remove unwanted materials from the cooling fan.
 - Repair paint damages to prevent corrosion.
 - Examine the product for worn or damaged parts and tighten loose screws and nuts.
 - Remove the battery. Clean it, charge it, and keep it cool during storage.
 - Replace the engine oil, and discard the waste oil.
 - Empty the fuel tank. Start the engine and run it until there is no remaining fuel in the carburetor.
-

Note: Do not empty the fuel tank and carburetor if a stabilizer has been added.

- Remove the plugs and put about a tablespoon of engine oil into each cylinder. Manually turn the engine shaft to apply the oil and put the plugs back on.
- Lubricate all grease nipples, joints and axles.
- Keep the product in a clean and dry area and put a cover on it for more protection.

Disposal

- Chemicals can be dangerous and must not be discarded on the ground. Always discard used chemicals at a service center or an applicable disposal location.
- When the product is worn out, send it to the dealer or to an applicable recycling location.
- Oil, oil filters, fuel and the battery can have negative effects on the environment. Obey the local recycling requirements and applicable regulations.
- Do not discard the battery as domestic waste.
- Send the battery to a Husqvarna service agent or discard it at a disposal location for used batteries.

Technical data

Technical data

Z242F	
Engine	
Brand / Model	Kawasaki/FR651V
Nominal engine output, hp / kW ¹¹	18.6 / 13.9
Displacement, cm ³	726
Max. engine speed, rpm	2800 ± 100
Fuel, min. octane grade lead-free, max 10% Ethanol, max 15% MTBE	87
Tank volume, gallons / l	3.5 / 13.3
Oil	Class SF, SG, SH, SJ or SL SAE40, SAE30, SAE20W-50, SAE10W-40, SAE10W-30, SAE5W-20
Oil volume, incl. filter, oz. / l	70.4 / 2.1
Oil volume, excl. filter, oz. / l	60.8 / 1.8
Lubrication system	Pressure with oil filter
Cooling system	Air cooled
Air filter	Standard
Alternator, V. amp. @ 3600 rpm	12 V 15 amp @ 3600 rpm
Start motor	Electric start 12 V
Dimensions	
Length, in. / cm	75 / 191
Width, in. / cm	41.5 / 105.4
Width including Chute Up, in. / cm	48 / 121.9
Width including Chute Down, in. / cm	56 / 142.24
Height, mm	40 / 102
Weight, with empty tanks, lb / kg	560 / 254
Max. gradient, degrees °	10
Cutting Width, in. / cm	42 / 107
Cutting Height, in. / cm	1.5 - 4 / 3.8 - 10.2
Cutting deck	
Deck Construction	Fabricated
Number of blades	2
Blade length, in. / cm	20.9 / 53.1

¹¹ The power rating as declared by the engine manufacturer is the average gross power output at the specified RPM of a typical production engine for the engine model measured using SAE Standards for engine gross power. Refer to the engine manufacturer engine specifications.

	Z242F
Blade Engagement	Electromagnetic Clutch
Productivity, acres/h / m ² /h	2.2 / 8,903.08
Tires	
Tire pressure, rear – front, kPa / PSI / bar	103 / 15 / 1
Front caster tires, in.	11 x 6-5
Rear tires, turf pneumatic, in.	18 x 8.5-8
Anti-scalp roller	1 adjustable
Transmission	
Transmission	Hydrostatic transaxles
Steering control	Dual levers, foam gripped
Maximum speed forward, mph / kmh	6.5 / 10.5
Maximum speed reverse, mph / kmh	3.25 / 5.23
Brakes	Mechanical parking brake
Electrical system	
Type	12 V
Battery	28 A
Spark plug	NGK BPR4ES
Electrode gap, in. / mm	0.030 / 0.76
Spark plug torque, lb-ft / Nm	16 / 22
Noise emissions ¹²	
Sound power level, measured dB(A)	100
Sound power level, guaranteed dB(A)	100
Vibration levels ¹³	
Vibration level on the steering wheel, m/s ²	1.30
Vibration level in the seat, m/s ²	0.53

¹² Noise emissions in the environment measured as sound power (L_{WA}) in conformity with EC directive 2000/14/EC. Reported sound power level for the machine has been measured with the original cutting attachment that gives the highest level. The difference between guaranteed and measured sound power is that the guaranteed sound power also includes dispersion in the measurement result and the variations between different machines of the same model according to Directive 2000/14/EC.

¹³ Reported data for vibration level has a typical statistical dispersion (standard deviation) of 1 m/s² (steering wheel) and 0.8 m/s² (seat).

Battery charging times

STD battery	State of charge	Approximate charging time to full charge at 80° F / 26° C ¹⁴			
		Maximum rate at:			
		50 Amps	30 Amps	20 Amps	10 Amps
12.6 V	100%	Fully charged			
12.4 V	75%	20 min	35 min	48 min	90 min
12.2 V	50%	45 min	75 min	95 min	180 min
12.0 V	25%	65 min	115 min	145 min	280 min
11.8 V	0%	85 min	150 min	195 min	370 min

Service

Service

Do a yearly check at an authorized service center to make sure that the product functions safely and at its best during high season. The best time to do a servicing or overhaul of the product is low season.

When you send an order for the spare parts, give information about the purchase year, model, type, and serial number.

Always use original spare parts.

¹⁴ Battery charging time can be different because of battery capacity, condition, age, temperature and efficiency of the charger.

EU declaration of conformity

We, Husqvarna AB, SE 561 82 Huskvarna,
SWEDEN, declare under our sole responsibility that
the represented product:

Description	Combustion-engine-powered ride-on lawn mower with seated operator
Brand	Husqvarna
Platform / Type / Model	Z242F
Batch	Serial number dating 2023 and onwards

complies fully with the following EU directives and
regulations:

Directive/Regulation	Description
2006/42/EC	"relating to machinery"
2011/65/EU	"restriction of use of certain hazardous substances"
2014/30/EU	"relating to electromagnetic compatibility"
2000/14/EC, 2005/88/EC	"relating to outdoor noise"

Harmonized standards and/or technical
specifications applied are as follows: EN
ISO 12100:2010, EN ISO 14982:2009, EN
ISO 5395-1:2013/A1:2018, EN ISO 5395-3:2013/
A1:2017/A2:2018, EN ISO 3744:2010, EN ISO
11094:1991, EN 1032:2009, EN IEC 63000:2018.

In accordance with directive 2000/14/EC, Annex VI,
the declared sound values are stated in the technical
data section of this manual and in the signed EU
Declaration of Conformity.

The supplied combustion-engine-powered ride-on
lawn mower with seated operator conforms to the
example that underwent examination.

On behalf of Husqvarna AB, SE 561 82 Huskvarna,
SWEDEN, Huskvarna, 2023-07-26



Claes Losdal

Responsible for technical documentation



UK Declaration of conformity

We, **Husqvarna AB**, SE-561 82 Huskvarna,
Sweden, tel: +46-36-146500, declare on our sole
responsibility that the product:

Description	Combustion-engine-powered ride-on lawn mower with seated operator
Brand	Husqvarna
Type / Model	Z242F
Identification	Serial numbers dating from 2023 and onwards

complies fully with the following UK directives and
regulations:

Directive / Regulation	Description
2008/1597	The Supply of Machinery (Safety) Regulations 2008
2016/1091	The Electromagnetic Compatibility Regulations 2016
2001/1701	The Noise Emission in the Environment by Equipment for use Outdoors Regulations 2001
2012/3032	The restriction of the use of Certain Hazardous Substances in Electrical and Electronic Equipment 2012

Harmonized standards and/or technical
specifications applied are as follows: EN
ISO 12100:2010, EN ISO 14982:2009, EN
ISO 5395-1:2013/A1:2018, EN ISO 5395-3:2013/
A1:2017/A2:2018, EN ISO 3744:2010, EN ISO
11094:1991, EN 1032:2009, EN IEC 63000:2018.

In accordance with directive statutory instrument
2001/1701, conformity assessment procedure,
schedule 9, the declared sound values are stated in
the technical data section of this manual and in the
signed UK Declaration of Conformity.

The supplied combustion-engine-powered ride-on
lawn mower with seated operator conforms to the
example that underwent examination.

On behalf of Husqvarna AB, SE 561 82 Huskvarna,
SWEDEN, Huskvarna, 2023-07-26



Claes Losdal

Responsible for technical documentation

**UK
CA**

UK Importer:
Husqvarna UK Ltd
Preston Road, Co. Durham
DL5 6UP

Diagrams

Electrical diagram

(Fig. 3)

Inhalt

Einleitung.....	32	Technische Daten.....	54
Sicherheit.....	34	Service.....	56
Betrieb.....	40	EU Declaration of Conformity.....	57
Wartung.....	43	Schaltpläne.....	57
Fehlerbehebung.....	50	Anhang	158
Transport, Lagerung und Entsorgung.....	52		

Einleitung

Auslieferungsinspektion und Gerätenummern

Für dieses Gerät wurde eine Auslieferungsinspektion vorgenommen. Stellen Sie sicher, dass

Sie eine unterschriebene Kopie des Auslieferungsinspektions-Dokuments von Ihrem Händler erhalten.

Kontakt Information der Servicewerkstatt:	
Dieses Handbuch ist für das Gerät mit der Gerätenummer/Seriennummer:	
/	
Motor:	
Getriebe:	

Die Gerätenummern finden Sie auf dem Typenschild. Weitere Informationen zur Position des Typenschildes finden Sie unter *Geräteübersicht auf Seite 32*.

Gerätebeschreibung

Bei diesem Gerät handelt es sich um einen Aufsitzrasenmäher. Mit den Steuerhebeln kann der Fahrer das Gerät steuern und die Geschwindigkeit

des Geräts anpassen. Ein Stundenzähler zeigt an, wie viele Stunden das Gerät in Betrieb war.

Verwendungszweck

Das Gerät ist zum Mähen von Gras auf offenen und ebenen Flächen gebaut. Verwenden Sie das Gerät nicht für andere Aufgaben.

Geräteübersicht

(Abb. 1)

1. Steuerhebel
2. Handbremse
3. Führungssteuerung
4. Hebel zum Anheben des Mähdecks
5. Sicherungen
6. Bypassgestänge
7. Kraftstoffabsperrentil
8. Kraftstofftank
9. Choke-Hebel
10. Gashebel
11. Betriebsstundenzähler
12. Zündschalter
13. Zapfwellenschalter
14. Typenschild

Lenkhebel

Die Richtung des Geräts wird über die 2 Steuerhebel gesteuert. Siehe *Geräteübersicht auf Seite 32*. Die Steuerhebel können aus der Neutralstellung nach vorn und nach hinten bewegt werden. Siehe *So bedienen Sie das Gerät auf Seite 42*.

Sitzkontaktschalter (OPC)

Der OPC wird aktiviert, wenn der Anwender vom Sitz aufsteht. Motor und Antrieb der Klängen stoppen, wenn die Klängen aktiviert sind oder die Feststellbremse nicht angezogen ist. Siehe *Betriebsbedingungen auf Seite 37*.

Zündschlüssel

Der Zündschlüssel hat 4 Stellungen:

- Startstellung (A)
- Betriebsstellung (B)

- Scheinwerferstellung (C)
- Stopp-Stellung (D)

(Abb. 35)

Scheinwerfer

(Abb. 35)

- Drehen Sie den Zündschlüssel in die Scheinwerferstellung (C), um das Gerät bei eingeschalteten Scheinwerfern zu bedienen.
- Drehen Sie den Zündschlüssel in die Betriebsstellung (B), um das Gerät bei ausgeschalteten Scheinwerfern zu bedienen.

Gashebel

Der Gashebel passt die Drehzahl des Motors und die Drehzahl der Klängen an, wenn die Klängen eingerückt sind. Der Gashebel verfügt über 2 Endstellungen, Leerlaufdrehzahl und Vollgas. (Abb. 36)

- Leerlaufdrehzahl (A) - verringert die Motordrehzahl.
- Vollgas (B) - erhöht die Motordrehzahl.



ACHTUNG: Den Motor nicht länger als nötig mit Leerlaufdrehzahl (A) laufen lassen. Eine zu lange Betriebszeit bei Leerlaufdrehzahl kann die Lebensdauer der Zündkerzen verkürzen.

Choke-Hebel

Der Choke-Hebel wird für Kaltstarts verwendet, um den Motor mit mehr Kraftstoff zu versorgen. Ziehen Sie den Choke-Hebel nach oben, wenn Sie einen kalten Motor starten.

Weitere Informationen zur Position des Choke-Hebels finden Sie unter *Geräteübersicht auf Seite 32*.

PTO-Knopf (Zapfwellenantrieb)

Mit dem PTO-Knopf werden die Zapfwellenkupplung und das Mähdeck oder andere daran angeschlossene Geräte ein- und ausgerückt. Befolgen Sie die korrekten Startbedingungen, um das Mähdeck zu aktivieren. Unter *Betriebsbedingungen auf Seite 37* finden Sie die richtigen Startbedingungen.

- Ziehen Sie den PTO-Knopf heraus, um den Antrieb für das Mähdeck oder andere Geräte zu aktivieren.

(Abb. 37)

- Drücken Sie den PTO-Knopf wieder hinein, um den Antrieb für das Mähdeck oder andere Geräte zu deaktivieren.

(Abb. 38)

Kraftstoffabsperrentil

Weitere Informationen zur Position des Kraftstoffabsperrentils finden Sie unter *Geräteübersicht auf Seite 32*.

Das Kraftstoffabsperrentil ist geschlossen, wenn die Lasche am Knopf senkrecht zur Kraftstoffleitung steht.

Sicherungen

Die Sicherungen befinden sich im Sicherungskasten. Der Sicherungskasten befindet sich unter dem Sitz. Kippen Sie den Sitz nach vorne, um sich Zugang zum Sicherungskasten zu verschaffen. Die verschiedenen Sicherungen sind auf dem Aufkleber auf dem Sicherungskasten zu finden.

Betriebsstundenzähler

Das Gerät verfügt über einen Betriebsstundenzähler, der anzeigt, wie viele Betriebsstunden die Klängen aktiviert wurden. Weitere Informationen zur Position des Betriebsstundenzählers finden Sie unter *Geräteübersicht auf Seite 32*.

(Abb. 39)

Alle 50 Stunden wird 2 Stunden lang ein Ölstandssymbol angezeigt. Siehe *So prüfen Sie den Motorölstand auf Seite 48*.

Symbole auf dem Gerät

(Abb. 4) **WARNUNG:** Dieses Gerät kann gefährlich sein und schwere oder tödliche Verletzungen des Fahrers oder anderer Personen verursachen. Gehen Sie vorsichtig vor und verwenden Sie das Gerät ordnungsgemäß.

(Abb. 5) Verwenden Sie eine Schutzbrille.

(Abb. 6) Handbremse.

(Abb. 7) Motordrehzahl – schnell.

(Abb. 8) Langsam.

(Abb. 9) Choke-Hebel.

(Abb. 10) Kraftstoff.

(Abb. 11) Tragen Sie stets Schutzhandschuhe.

(Abb. 12) Stellen Sie vor der Wartung den Motor ab.

(Abb. 13) Verwenden Sie das Gerät nicht ohne Leitblech oder Grasfänger.

(Abb. 14) Tragen Sie stets einen zugelassenen Gehörschutz.

- (Abb. 15) Setzen Sie Ihren Fuß nicht an diese Stelle.
- (Abb. 16) Leerlaufstellung.
- (Abb. 17) Rückwärtsgang.
- (Abb. 18) Lesen Sie die Bedienungsanleitung aufmerksam durch, und machen Sie sich mit den Anweisungen vertraut, bevor Sie das Gerät verwenden.
- (Abb. 19) Halten Sie einen sicheren Abstand zum Gerät ein.
- (Abb. 20) Verwenden Sie das Gerät nicht in Gelände mit einer Neigung von mehr als 10°.
- (Abb. 21) Lassen Sie niemanden mitfahren.
- (Abb. 22) Achten Sie auf herausschleudernde, abprallende Gegenstände.
- (Abb. 23) Halten Sie Hände und Füße von der Gefahrenzone fern.
- (Abb. 24) Halten Sie die Hände von rotierenden Teilen fern.
- (Abb. 25) Achten Sie auf Personen und Tiere, wenn Sie mit dem Gerät vorwärts fahren.
- (Abb. 26) Achten Sie auf Personen und Tiere, wenn Sie mit dem Gerät rückwärts fahren.
- (Abb. 27) Schnitthöhe niedrig.
- (Abb. 28) Schnitthöhe hoch.
- (Abb. 29) Schalleistungspegel.
- (Abb. 30) Dieses Gerät entspricht den geltenden EG-Richtlinien.

- (Abb. 31) Dieses Gerät entspricht den geltenden UK-Richtlinien.
- (Abb. 32) Halten Sie sich vom Auswurfdeck fern.
- (Abb. 33) Warnung! Batteriesäure ist korrosiv, explosiv und entflammbar.
- (Abb. 34) Halten Sie sich von rotierenden Teilen fern.
- yyyywwxxxx
- Auf dem Typenschild ist die Seriennummer angegeben. **yyyy** ist das Produktionsjahr, und **ww** steht für die Produktionswoche.

Hinweis: Weitere Symbole/Aufkleber auf dem Gerät beziehen sich auf die Zertifizierungsanforderungen für einige gewerbliche Bereiche.

Produktschäden

Wir haften nicht für Schäden an unserem Produkt, wenn:

- das Gerät nicht ordnungsgemäß repariert wird.
- das Gerät mit Teilen repariert wird, die nicht vom Hersteller stammen oder nicht vom Hersteller zugelassen sind.
- ein Zubehörteil mit dem Gerät verwendet wird, das nicht vom Hersteller stammt oder nicht vom Hersteller zugelassen ist.
- das Gerät nicht bei einem zugelassenen Service Center oder von einem zugelassenen Fachmann repariert wird.

Emissionen nach Euro V



WARNUNG: Bei jeglichen Manipulationen des Motors erlischt die EU-Typgenehmigung für dieses Produkt.

Sicherheit

Sicherheitsdefinitionen

Warnungen, Vorsichtsmaßnahmen und Hinweise werden verwendet, um auf besonders wichtige Teile der Bedienungsanleitung hinzuweisen.



WARNUNG: Wird verwendet, wenn bei Nichtbeachtung der Anweisungen in diesem Handbuch die Gefahr von Verletzung oder Tod

des Bedieners oder anderer Personen besteht.



ACHTUNG: Wird verwendet, wenn bei Nichtbeachtung der Anweisungen in diesem Handbuch die Gefahr von Schäden am Gerät, an anderen Materialien oder in der Umgebung besteht.

Hinweis: Für weitere Informationen, die in bestimmten Situationen nötig sind.

Allgemeine Sicherheitshinweise



WARNUNG: Lesen Sie die folgenden Warnhinweise, bevor Sie das Gerät benutzen.



WARNUNG: Die Nichtbeachtung der gebotenen Vorgehensweisen kann zu gefährlichen Verletzungen des Bedieners und anderer Personen führen. Der Besitzer muss diese Anweisungen verstehen und sicherstellen, dass nur geschulte Personen, die diese Anweisungen verstehen, den Mäher bedienen. Alle Personen, die den Mäher bedienen, müssen körperlich und geistig dazu in der Lage sein und dürfen keine bewusstseinsverändernden Substanzen zu sich genommen haben.



WARNUNG: Dieses Gerät kann Hände oder Füße abtrennen und Gegenstände durch die Luft schleudern. Bei Missachtung der folgenden Sicherheitshinweise besteht die Gefahr schwerer Verletzungen oder tödlicher Unfälle.

- Lesen, verstehen und befolgen Sie die Anweisungen und Warnhinweise in diesem Dokument, der Betriebsanleitung sowie am Gerät, Motor und den Anbaugeräten.
- Das Gerät darf nur von verantwortungsbewussten, geschulten Fahrern betrieben werden, die mit den Anweisungen vertraut sind und körperlich in der Lage sind, das Gerät zu bedienen.
- Informieren Sie eine Person darüber, dass Sie das Gerät bedienen, falls es zu Verletzungen oder Unfällen kommt.
- Nehmen Sie keine Passagiere mit, und halten Sie umstehende Personen fern.
- Bedienen Sie das Gerät nicht unter Alkohol- oder Drogeneinfluss.
- Befolgen Sie die Empfehlungen des Herstellers zu Rad- und Gegengewichten.
- Lernen Sie die sichere Bedienung des Geräts und seiner Bedienelemente und wie Sie das Gerät schnell anhalten können.
- Lernen Sie die Bedeutung der Sicherheitsschilder.
- Halten Sie das Gerät sauber, um sicherzustellen, dass Sie die Schilder und Aufkleber gut lesen können.

- Denken Sie daran, dass der Bediener für Unfälle mit anderen Personen oder deren Eigentum verantwortlich ist.
- Betreiben Sie das Gerät nur bei Tageslicht oder guter Beleuchtung. Halten Sie sicheren Abstand zu Löchern oder anderen Bodenunebenheiten. Achten Sie auf andere mögliche Gefahrenquellen.
- Lassen Sie keine Kinder oder andere Personen, die für die Bedienung nicht zugelassen sind, das Gerät benutzen oder warten. Unter Umständen gelten gesetzlich vorgeschriebene Altersbeschränkungen.
- Stellen Sie sicher, dass sich niemand in der Nähe des Geräts aufhält, wenn Sie den Motor starten, den Antrieb aktivieren und das Gerät in Bewegung setzen.
- Achten Sie auf den Verkehr, wenn Sie in der Nähe einer Straße mähen oder eine Straße überqueren.
- Verwenden Sie das Gerät nicht, wenn Sie müde sind, unter dem Einfluss von Alkohol, Drogen, Medikamenten oder sonstigen Mitteln stehen, die Ihre Sehkraft, Aufmerksamkeit, Körperkontrolle oder Ihr Urteilsvermögen beeinträchtigen können.
- Parken Sie das Gerät stets auf einer ebenen Oberfläche und schalten Sie den Motor ab.
- Nehmen Sie keine Modifikationen am Gerät vor.
- Bedienen Sie das Gerät nicht, wenn die Möglichkeit besteht, dass andere Personen Modifikationen daran vorgenommen haben.

Sicherheitsvorschriften in Bezug auf Kinder



WARNUNG: Kinder können durch dieses Gerät schwer verletzt oder getötet werden. Lesen Sie die folgenden Warnhinweise, bevor Sie das Produkt verwenden. Halten Sie Kinder vom Gerät fern.

- Es kann zu tragischen Unfällen kommen, wenn sich der Bediener nicht der Anwesenheit von Kindern bewusst ist. Gerät und Mäharbeiten ziehen oftmals die Aufmerksamkeit von Kindern auf sich. Verlassen Sie sich niemals darauf, dass Kinder an dem Ort stehen bleiben, an dem Sie sie zuletzt gesehen haben.
- Halten Sie Kinder aus dem Arbeitsbereich fern und unter Aufsicht eines aufmerksamen Erwachsenen (nicht der Bediener).
- Seien Sie aufmerksam, und stellen Sie das Gerät sofort ab, falls Kinder den Arbeitsbereich betreten. Gehen Sie in der Nähe von Ecken, Büschen, Bäumen oder anderen Objekten, die Ihre Sicht behindern, besonders vorsichtig vor.
- Gehen Sie besonders umsichtig vor, wenn Sie sich unübersichtlichen Ecken, Büschen, Bäumen oder anderen Objekten nähern, die die Sicht auf ein Kind verdecken können.

- Schauen Sie bevor und während Sie mit dem Gerät rückwärts fahren nach hinten, und halten Sie nach kleinen Kindern Ausschau.
- Lassen Sie Kinder das Gerät nicht bedienen.
- Die US-amerikanische Akademie für Kinderärzte empfiehlt, dass Kinder und Jugendliche nicht vor Erreichen des 16 Lebensjahres einen Aufsitzmäher betreiben sollten.
- Transportieren Sie keine Kinder, auch dann nicht, wenn das Schneidwerk ausgeschaltet ist. Kinder könnten herunterfallen und schwer verletzt werden oder den sicheren Betrieb des Geräts stören. Kinder, die bereits einmal mitgenommen wurden, könnten plötzlich im Arbeitsbereich auftauchen, weil sie erneut mitfahren möchten. In diesem Fall besteht die Gefahr, dass sie vom Gerät überfahren oder zu Fall gebracht werden.

Sicherheitshinweise für den Betrieb



WARNUNG: Lesen Sie die folgenden Warnhinweise, bevor Sie das Produkt verwenden.



WARNUNG: Berühren Sie nicht den Motors oder die Abgasanlage während oder direkt nach dem Betrieb. Der Motor und das Abgassystem werden während des Betriebs sehr heiß. Gefahr von Verbrennungen, Brand und Schäden an Eigentum oder angrenzenden Bereichen. Wenn Sie das Gerät bedienen, halten Sie Abstand zu Büschen und anderen Objekten.

- Betreiben Sie den Motor nur in gut belüfteten Bereichen. Abgase enthalten Kohlenmonoxid, ein tödliches Gift.
- Betreiben Sie das Gerät nur bei Tageslicht oder guter künstlicher Beleuchtung.
- Entfernen Sie Gegenstände wie Steine, Spielzeug, Kabel usw. aus dem Bereich, die in die Klängen geraten und hochgeschleudert werden könnten.
- Vermeiden Sie Löcher, Furchen, Bodenwellen, Steine und andere versteckte Gefahren. Unebenes Gelände könnte zum Umkippen des Geräts oder dazu führen, dass der Fahrer das Gleichgewicht oder den festen Stand verliert.
- Halten Sie Hände und Füße von den rotierenden Teilen oder der Unterseite des Geräts fern. Halten Sie sich stets von der Auswurföffnung fern.
- Betreiben Sie das Gerät nur, wenn der vollständige Grasfänger, der Auswurfschutz und andere Sicherheitsvorrichtungen angebracht sind und funktionieren.
- Richten Sie den Materialauswurf nicht auf umstehende Personen. Vermeiden Sie den Materialauswurf gegen eine Wand oder ein

Hindernis. Material könnte auf den Bediener zurückspringen. Schalten Sie das Schneidwerk ab, wenn Sie Schotter überqueren.

- Lassen Sie ein laufendes Gerät nicht unbeaufsichtigt. Parken Sie immer auf ebenem Untergrund, kuppeln Sie das Anbaugerät ab, aktivieren Sie die Handbremse, und stellen Sie den Motor ab.
- Mähen Sie nur dann im Rückwärtsgang, wenn dies absolut erforderlich ist. Schauen Sie stets nach unten und nach hinten, wenn Sie rückwärtsfahren.
- Verringern Sie vor dem Wenden die Geschwindigkeit.
- Verringern Sie die Geschwindigkeit, bevor Sie um eine Ecke fahren.
- Statistische Daten belegen, dass Bediener ab 60 Jahren an einem großen Teil der Unfälle mit Aufsitzmähern beteiligt waren. Diese Bediener müssen ihre Fähigkeit zum ausreichend sicheren Betrieb des Aufsitzmähers kritisch hinterfragen, um sich und andere vor Verletzungen zu schützen.

Sicherheitshinweise für den Betrieb an Hängen



WARNUNG: Lesen Sie die folgenden Warnhinweise, bevor Sie das Produkt verwenden.

Hänge stellen eine besonders große Unfallgefahr dar. Bei Arbeiten an Hängen ist daher äußerste Vorsicht geboten.

- Fahren Sie an Hängen in der vom Hersteller empfohlenen Richtung. Seien Sie vorsichtig, wenn Sie in der Nähe von abschüssigem Gelände arbeiten.
- Mähen Sie kein nasses Gras. Die Reifen können die Traktion verlieren.
- Betreiben Sie das Gerät nicht unter Bedingungen, bei denen Traktion, Lenkung oder Stabilität beeinträchtigt werden. Die Reifen könnten rutschen, auch wenn die Räder stehen.
- Legen Sie immer einen Gang ein, wenn Sie ein Gefälle hinunter fahren. Fahren Sie nicht bergab.
- Vermeiden Sie das Anfahren oder Anhalten an Hängen. Vermeiden Sie abrupte Geschwindigkeits- und Richtungswechsel. Wenden Sie langsam und bedächtig.
- Verlieren die Reifen die Traktion, schalten Sie die Messer aus, und fahren Sie langsam den Hang direkt hinunter.
- Seien Sie besonders vorsichtig, wenn Sie das Gerät mit Grasfänger oder Anbaugerät(en) benutzen. Dadurch kann die Stabilität des Geräts beeinträchtigt werden.
- Beim Rasenmähen an Steigungen besteht ein erhöhtes Risiko, dass Sie das Gerät nicht kontrollieren können und es umkippt. Dies kann zu Verletzungen oder zum Tod führen. Es ist

notwendig, auf abschüssigem Gelände vorsichtig zu mähen. Wenn Sie am Hang nicht wenden können oder wenn Sie sich dabei nicht sicher fühlen, mähen Sie dort nicht.

- Entfernen Sie Steine, Äste und andere Hindernisse.
- Schneiden Sie das Gras an einer Steigung nach oben und unten, nicht von einer Seite zur anderen.
- Verwenden Sie das Gerät nicht in Gelände mit einer Neigung von mehr als 10°.
- Bewegen Sie sich an Hängen gleichmäßig und langsam.
- Achten Sie auf Furchen, Löcher und Unebenheiten und fahren Sie nicht darüber hinweg. Am Hang besteht ein erhöhtes Risiko, dass das Gerät umkippt. Langes Gras kann Hindernisse verdecken.
- Mähen Sie nicht in der Nähe von Kanten, Gräben oder Böschungen. Halten Sie einen Abstand zu diesen Gefahren, der mindestens der Breite des Geräts entspricht. Das Gerät kann plötzlich umkippen, wenn ein Rad über den Rand einer steilen Steigung oder eines Grabens fährt oder wenn eine Kante nachgibt.

Persönliche Schutzausrüstung



WARNUNG: Lesen Sie die folgenden Warnhinweise, bevor Sie das Produkt verwenden.

- Verwenden Sie die vorgeschriebene persönliche Schutzausrüstung bei der Benutzung des Geräts. Die persönliche Schutzausrüstung kann Verletzungen nicht vollständig vermeiden, vermindert aber den Umfang der Verletzungen und Schäden bei einem Unfall. Lassen Sie sich bei der Auswahl der richtigen Ausrüstung von Ihrem Händler beraten.
- Tragen Sie stets einen zugelassenen Gehörschutz. Eine längerfristige Beschallung mit Lärm kann zu bleibenden Gehörschäden führen.
- Tragen Sie immer eine Schutzbrille oder einen anderen Augenschutz, wenn Sie das Gerät bedienen oder wenn Sie Wartungs- und Reparaturarbeiten durchführen.
- Tragen Sie stets Sicherheitsschuhe oder -stiefel. Stahlkappen werden empfohlen. Verwenden Sie das Gerät niemals barfuß.

(Abb. 40)

- Tragen Sie Handschuhe wenn erforderlich, beispielsweise bei der Montage, Kontrolle oder Reinigung der Schneidausrüstung.
- Tragen Sie keine lose sitzende Kleidung, Schmuck oder andere Gegenstände, die sich in beweglichen Teilen verfangen können.
- Tragen Sie keine kurzen Hosen, wenn Sie das Gerät betreiben.
- Halten Sie eine Erste-Hilfe-Ausrüstung und einen Feuerlöscher griffbereit.

Sicherheitsvorrichtungen am Gerät



WARNUNG: Lesen Sie die folgenden Warnhinweise, bevor Sie das Produkt verwenden.

- Verwenden Sie kein Gerät mit Sicherheitsvorrichtungen, die beschädigt sind oder nicht ordnungsgemäß funktionieren. Führen Sie regelmäßig eine Überprüfung der Sicherheitsvorrichtungen durch. Wenn die Sicherheitsvorrichtungen beschädigt sind, wenden Sie sich an Ihre Husqvarna Servicewerkstatt.
- Führen Sie keine Änderungen an den Sicherheitsvorrichtungen durch. Verwenden Sie das Gerät nicht, wenn Schutzbleche, Schutzabdeckungen, Sicherheitsschalter oder andere Schutzvorrichtungen nicht angebracht oder beschädigt sind.

So kontrollieren Sie den Zündschlüssel

- Starten und stoppen Sie den Motor, um das Zündschloss zu kontrollieren. Siehe *So lassen Sie den Motor an auf Seite 41* und *So schalten Sie den Motor aus auf Seite 42*.
- Stellen Sie sicher, dass der Motor anspringt, wenn Sie den Zündschlüssel in die Start-Position drehen.
- Stellen Sie sicher, dass der Motor sofort ausgeht, wenn Sie den Zündschlüssel in die Stopp-Position drehen.

Betriebsbedingungen

Diese Bedingungen sind erforderlich um den Motor zu starten:

- Die Steuerhebel befinden sich in der Neutralstellung.
- Die Handbremse ist angezogen.
- Der Klingenantrieb ist deaktiviert.
- Der Totmannschalter (OPC) wird nach unten gedrückt.

Der Motor muss in diesen Situationen anhalten:

- Die Handbremse ist nicht angezogen und der Bediener steht vom Sitz auf.
- Der Antrieb der Klängen ist aktiviert und der Fahrer erhebt sich vom Sitz.

Versuchen Sie, den Motor zu starten, ohne dass 1 der oben genannten Bedingungen erfüllt ist. Verändern Sie die Bedingungen, und versuchen Sie es erneut. Führen Sie diese Kontrolle täglich durch.

Feststellbremse



WARNUNG: Wenn die Feststellbremse nicht funktioniert, kann das Gerät sich in Bewegung setzen und Verletzungen oder Schäden

verursachen. Stellen Sie sicher, dass die Feststellbremse regelmäßig überprüft und eingestellt wird.

Siehe *So kontrollieren Sie die Feststellbremse auf Seite 45.*

Schalldämpfer



WARNUNG: Verwenden Sie das Gerät nicht, wenn der Schalldämpfer fehlt oder beschädigt ist. Ein beschädigter oder fehlender Schalldämpfer erhöht den Geräuschpegel und die Brandgefahr.

Der Schalldämpfer senkt den Geräuschpegel so weit wie möglich und hält die Abgase des Motors vom Anwender fern.

Überprüfen Sie den Schalldämpfer regelmäßig, um sicherzustellen, dass er richtig angebracht und nicht beschädigt ist.



WARNUNG: Der Schalldämpfer wird während und nach Gebrauch und wenn der Motor im Leerlauf läuft, sehr heiß. Seien Sie in der Nähe von entzündlichen Materialien und/oder Dämpfen besonders vorsichtig, um Brandgefahr zu verhindern.

So prüfen Sie den Schalldämpfer

- Überprüfen Sie den Schalldämpfer regelmäßig, um sicherzustellen, dass er richtig angebracht und nicht beschädigt ist.

Funkenfänger

Dieses Gerät hat einen Verbrennungsmotor. Verwenden Sie das Gerät in der Nähe von Vegetation nicht ohne einen Funkenfänger, der von den örtlichen oder staatlichen Gesetzen genehmigt wurde. Für die einzelnen Regionen gelten die jeweiligen lokalen Bestimmungen.

Ein Funkenfänger für den Auspuff ist über Ihren autorisierten Husqvarna Händler erhältlich.

Schutzabdeckungen

Fehlende oder beschädigte Schutzabdeckungen erhöhen das Risiko von Verletzungen an beweglichen Teilen und heißen Oberflächen. Prüfen Sie die Schutzabdeckungen, bevor Sie das Gerät bedienen. Achten Sie darauf, dass die Schutzabdeckungen richtig montiert sind und keine Risse oder andere Schäden aufweisen. Ersetzen Sie die beschädigten Abdeckungen.

Sicherer Umgang mit Kraftstoff



WARNUNG: Lesen Sie die folgenden Warnhinweise, bevor Sie das Produkt verwenden.



WARNUNG: Gehen Sie vorsichtig mit Kraftstoff um. Er ist sehr leicht entzündlich und kann zu Verletzungen und Sachschäden führen.

- Löschen Sie alle Zigaretten, Zigarren, Pfeifen oder andere Feuerquellen.
- Verwenden Sie nur zugelassene Kraftstoffbehälter.
- Solange der Motor läuft oder heiß ist, darf der Tankdeckel nicht abgenommen oder Kraftstoff nachgefüllt werden.
- Füllen Sie das Gerät oder den Kraftstoffbehälter nicht in Bereichen mit offenem Feuer, geschlossenen Räumen nach.
- Bringen Sie den Tankdeckel nach dem Tanken wieder an und ziehen Sie ihn fest.
- Lagern Sie das Gerät oder den Kraftstoffbehälter nicht in Bereichen mit offenem Feuer, Funkenbildung oder Zündflammen, wie z. B. in der Nähe eines Warmwasserspeichers oder anderer Vorrichtungen oder Geräte, und füllen Sie dort auch keinen Kraftstoff nach.
- Wechseln Sie sofort die Kleidung, wenn Sie Kraftstoff darauf verschütten.
- Wenn Kraftstoff ausgetreten ist, versuchen Sie nicht, den Motor zu starten, und erzeugen Sie keine Zündquelle, bis die Kraftstoffdämpfe sich verflüchtigt haben.
- Zur Vermeidung von Bränden: Halten Sie das Gerät frei von Gras, Blättern oder anderen Schmutzansammlungen; entfernen Sie ausgelaufenes Öl oder Kraftstoff, beseitigen Sie kraftstoffgetränkten Schmutz, und lassen Sie das Gerät vor der Lagerung abkühlen.
- Gehen Sie beim Umgang mit Benzin und anderen Kraftstoffen besonders vorsichtig vor. Diese sind brennbar, und Dämpfe sind explosiv.
- Benzin und Benzindämpfe sind giftig und leicht entzündlich. Seien Sie beim Umgang mit Kraftstoff vorsichtig, um Verletzungen oder Feuer zu vermeiden.
- Lassen Sie den Motor vor dem Auftanken abkühlen.
- Füllen Sie Kraftstoff nicht in der Nähe von Funken oder offenem Feuer ein.
- Starten Sie den Motor bei einer Leckage im Kraftstoffsystem nicht, bis die Undichtigkeiten repariert sind.
- Nicht höher als den empfohlenen Kraftstofffüllstand befüllen. Durch die Wärme von Motor und Sonne dehnt sich der Kraftstoff aus und läuft aus, wenn der Tank zu sehr gefüllt ist.

- Bewahren Sie Gerät und Kraftstoff so auf, dass keine Gefahr besteht, dass Kraftstoff ausläuft oder Dämpfe zu Beschädigungen führen können.

Transportsicherheit

- Verwenden Sie ein für den Transport des Geräts zugelassenes Fahrzeug.
- Das Gerät ist schwer und kann Quetschungen verursachen. Seien Sie vorsichtig, wenn Sie es auf ein Fahrzeug oder einen Anhänger laden oder davon herunterladen.
- Der Transport des Geräts kann durch nationale oder lokale Vorschriften eingeschränkt sein.
- Der Fahrer des Transportfahrzeugs ist für die sichere Befestigung des Geräts während des Transports verantwortlich. Siehe *Transport auf Seite 52*.

Transport

- Verwenden Sie zum Auf- und Abladen des Geräts für den Transport Rampen mit voller Breite.

Sicherheit beim Abschleppen

- Beachten Sie in Bezug auf Gewichtsbegrenzungen für Anhängelasten sowie Schleppen an Steigungen die Empfehlung des Herstellers.
- Verwenden Sie nur Zubehörgeräte zum Schleppen, die von Husqvarna empfohlen wurde.
- Verwenden Sie die Zugschiene, um das Abschleppzubehör anzubringen.
- Stellen Sie sicher, dass sich keine anderen Personen in der Nähe des Geräts befinden, wenn Sie Zubehörgeräte schleppen.
- Im oder am abgeschleppten Gerät dürfen sich keine Kinder oder anderen Personen aufhalten.
- Vermeiden Sie das Abschleppen an Hängen oder auf unebenem Boden. Das Gewicht der Anhängelast kann zu einem Traktions- und Kontrollverlust führen.

Sicherer Umgang mit Akkus



WARNUNG: Ein beschädigter Akku kann eine Explosion verursachen und zu Verletzungen führen. Wenn der Akku deformiert oder beschädigt ist, wenden Sie sich an eine zugelassene Husqvarna Servicewerkstatt.



WARNUNG: Lesen Sie die folgenden Warnhinweise, bevor Sie das Gerät benutzen.

- Verwenden Sie in der Nähe von Akkus stets eine Schutzbrille.
- Tragen Sie keine Uhren, Schmuck oder andere Gegenstände aus Metall in der Nähe des Akkus.

- Bewahren Sie den Akku außerhalb der Reichweite von Kindern auf.
- Laden Sie den Akku in einem Bereich mit guter Belüftung auf.
- Halten Sie entflammbare Materialien in einem Mindestabstand von 1 m, wenn Sie den Akku aufladen.
- Entsorgen Sie ausgetauschte Akkus. Siehe *Entsorgung auf Seite 53*.
- Von der Batterie können explosive Gase ausgehen. Rauchen Sie nicht in der Nähe der Batterie! Halten Sie den Akku von offenen Flammen oder Funken fern.

Sicherheitshinweise für die Wartung



WARNUNG: Lesen Sie die folgenden Warnhinweise, bevor Sie das Gerät benutzen.



WARNUNG: Das Gerät ist schwer und kann zu Verletzungen oder Schäden an Eigentum oder angrenzenden Bereichen führen. Führen Sie keine Wartungsarbeiten an Motor oder Mähdeck durch, ohne dass die folgenden Bedingungen erfüllt sind:

- Der Motor ist ausgeschaltet.
- Das Gerät ist auf einer ebenen Fläche abgestellt.
- Die Handbremse ist angezogen.
- Der Zündschlüssel befindet sich in der Stopp-Stellung und wurde entfernt.
- Die Klingen sind deaktiviert.
- Alle beweglichen Teile haben angehalten.
- Die Zündkabel sind von den Zündkerzen abgezogen.



WARNUNG: Unter Druck austretende Flüssigkeit kann in die Haut eindringen und schwere Verletzungen verursachen. Suchen Sie umgehend einen Arzt auf, wenn Flüssigkeit in die Haut gelangt ist. Halten Sie Körper und Hände von Stiftbohrungen oder Düsen fern, aus denen unter hohem Druck stehende Flüssigkeiten austreten. Wenn eine Undichtigkeit auftritt, lassen Sie das Gerät umgehend von einem geschulften Techniker warten.



WARNUNG: Die Abgase des Motors enthalten Kohlenmonoxid, ein geruchloses, giftiges und sehr gefährliches Gas. Verwenden Sie das Gerät nicht in geschlossenen Räumen

oder in Räumen mit unzureichendem Luftstrom.

- Halten Sie das Gerät in einem einwandfreien Arbeitszustand. Ersetzen Sie verschlissene oder beschädigte Teile.

Gehen Sie bei der Wartung der Klingen vorsichtig vor. Umwickeln Sie die Klinge(n), oder tragen Sie Handschuhe. Ersetzen Sie beschädigte Glättflügel. Reparieren oder verändern Sie keine Klinge(n).

Klemmen Sie vor der Durchführung von Reparaturarbeiten das bzw. die Zündkerzenkabel sowie das Minuskabel der Batterie ab, falls vorhanden.

Für eine optimale Leistung und Sicherheit führen Sie regelmäßig Wartungsarbeiten am Gerät entsprechend den Angaben im *Wartungsplan* durch. Siehe *Wartungsplan auf Seite 43*.

- Stromschläge können zu Verletzungen führen. Berühren Sie keine Kabel, während der Motor

läuft. Führen Sie keinen Funktionstest an der Zündanlage mit den Fingern durch.

- Lassen Sie das Gerät abkühlen, bevor Sie Wartungsarbeiten im Bereich des Motors durchführen.
- Die Klingen sind scharf und können Schnittwunden verursachen. Umwickeln Sie die Klingen zum Schutz, oder tragen Sie Schutzhandschuhe, wenn Sie an ihnen arbeiten.
- Drehen Sie den Motor nicht um, wenn die Zündkerze oder das Zündkabel entfernt wurde.
- Stellen Sie sicher, dass alle Muttern und Schrauben korrekt angezogen sind und dass die Ausrüstung in gutem Zustand ist.
- Ändern Sie nicht die Einstellung des Drehzahlreglers. Wenn die Motordrehzahl zu hoch ist, können die Gerätebestandteile beschädigt werden. Siehe *Technische Daten auf Seite 54* für die maximal zulässige Motordrehzahl.
- Das Gerät nur mit der vom Hersteller gelieferten oder empfohlenen Ausrüstung zugelassen.

Betrieb

Einleitung



WARNUNG: Vor dem Betrieb des Gerätes müssen Sie die Sicherheitsinformationen lesen und verstehen.

So betreiben Sie das Gerät zum ersten Mal



WARNUNG: Vor dem ersten Betrieb des Gerätes müssen Sie dieses Kapitel lesen und verstehen.

- Verwenden Sie beim ersten Betrieb des Geräts eine niedrigere Drehzahl und eine niedrigere Fahrgeschwindigkeit.
- Bewegen Sie die Steuerhebel während des ersten Betriebs nicht vollständig in die Vorwärts- oder Rückwärtsstellung.
- Lernen Sie auf einer harten Oberfläche, z. B. Beton oder Asphalt, wie Sie das Gerät bewegen, bevor Sie es zum ersten Mal auf einem Rasen betreiben.

Bevor Sie das Gerät bedienen



WARNUNG: Vor dem Betrieb des Gerätes müssen Sie die Sicherheitsinformationen lesen und verstehen.



WARNUNG: Bevor Sie das Gerät in Betrieb nehmen, müssen Sie sicherstellen, dass sich im Arbeitsbereich keine Steine oder andere Gegenstände befinden, die von den rotierenden Klingen umhergeschleudert werden können.

- Führen Sie die tägliche Wartung durch. Siehe *Wartungsplan auf Seite 43*.
- Vergewissern Sie sich, dass der Kraftstofftank genügend Kraftstoff enthält.
- Stellen Sie die Schnitthöhe ein. Siehe *So stellen Sie die Schnitthöhe ein auf Seite 41*.

So füllen Sie Kraftstoff ein



WARNUNG: Benzin ist leicht entzündlich. Seien Sie vorsichtig und betanken Sie das Gerät im Freien, siehe *Sicherer Umgang mit Kraftstoff auf Seite 38*.



WARNUNG: Der Motor und das Abgassystem werden während des Betriebs sehr heiß. Gefahr von Brandverletzungen. Lassen Sie den Motor und die Auspuffanlage abkühlen, bevor Sie Kraftstoff in das Gerät füllen.



WARNUNG: Verwenden Sie den Kraftstofftank nicht als Auflagefläche.



ACHTUNG: Die Verwendung eines falschen Kraftstoffs kann zu einer Beschädigung des Motors führen.

Der Motor läuft mit Benzin mit einer Mindest-Oktananzahl von 91 ROZ (87 AKI), nicht mit Öl gemischt. Wir empfehlen Ihnen biologisch abbaubares Alkylatbenzin.

- Kontrollieren Sie den Füllstand vor jedem Gebrauch und füllen Sie bei Bedarf auf.
- Füllen Sie den Kraftstofftank nicht vollständig auf. Füllen Sie den Kraftstofftank bis zum unteren Rand des Einfüllstutzens.

So stellen Sie den Sitz ein

1. Heben Sie den Sitz an und entfernen Sie den Sitzeinstellknopf (A).
2. Lösen Sie den Sitzeinstellknopf (B). (Abb. 41)
3. Bewegen Sie den Sitz (B) solange, bis er sich in der gewünschten Position befindet.
4. Richten Sie die Bohrung in der Sitzschale für den Sitzeinstellknopf (A) an der Bohrung im Sitz aus.
5. Drehen Sie den Sitzeinstellknopf (A) ein und ziehen ihn an.
6. Ziehen Sie den Sitzeinstellknopf (B) an.

So klappen Sie den Sitz um

Der Sitz kann nach vorne geklappt werden, um Zugang zur Batterie und zum hydrostatischen Getriebe zu erhalten.

1. Stellen Sie das Gerät auf ebenem Untergrund ab.
2. Schieben Sie den Sitz nach vorn, um ihn nach vorn zu klappen.

So betätigen und lösen Sie die Handbremse

Dieses Gerät verfügt über keinen speziellen Feststellbremshebel. Die Feststellbremse ist in die 2 Steuerhebel integriert.

- Drücken Sie die 2 Steuerhebel gleichzeitig vom Sitz weg, um die Feststellbremse zu aktivieren. Weitere Informationen zur Position der Steuerhebel finden Sie unter *Geräteübersicht auf Seite 32*.

Hinweis: Das Gerät muss stehen, wenn Sie die Feststellbremse anziehen.

Hinweis: Der Motor wird abgestellt, wenn Sie die 2 Steuerhebel nicht gleichzeitig vom Sitz weg drücken.

- Ziehen Sie die 2 Steuerhebel in Sitzrichtung, um die Feststellbremse zu lösen.

So deaktivieren und aktivieren Sie das Antriebssystem



ACHTUNG: Deaktivieren oder aktivieren Sie das Antriebssystem nur, wenn das Gerät auf ebenem Boden abgestellt ist.

Wenn es notwendig ist, das Gerät von Hand, mit abgestelltem Motor, zu bewegen, muss das Antriebssystem deaktiviert werden. Das Antriebssystem wird durch das Bypassgestänge deaktiviert und aktiviert. Die Bypassgestänge befinden sich unter dem hinteren Motorschutz.

Führen Sie das folgende Verfahren durch, um das Antriebssystem zu deaktivieren.

1. Stellen Sie das Gerät auf einer ebenen Fläche ab, und stellen Sie den Motor ab.



WARNUNG: Lassen Sie den Motor abkühlen, bevor Sie das Antriebssystem aktivieren oder deaktivieren.

2. Ziehen Sie den Zündschlüssel ab.
3. Stellen Sie das Mähdeck in die Transportstellung.
4. Stellen Sie die Steuerhebel in die Neutralstellung.
5. Ziehen Sie die Bypassgestänge nach oben und aus den Schlitzen. (Abb. 42)
6. Aktivieren Sie das Antriebssystem in umgekehrter Reihenfolge.

So bringen Sie das Mähdeck in die Transport- oder Mähstellung

Das Mähdeck muss sich während des Transports in der Transportstellung befinden.

- Um das Gerät in die Transportstellung zu bringen, ziehen Sie den Schnitthöhenhebel in Richtung des Sitzes, und stellen Sie ihn in die höchste Schnitthöhenstellung.
- Um das Gerät in die Mähstellung zu bringen, stellen Sie die korrekte Schnitthöhe ein. Siehe *So stellen Sie die Schnitthöhe ein auf Seite 41*.

So stellen Sie die Schnitthöhe ein

1. Ziehen Sie den Schnitthöhenhebel in Richtung des Sitzes. (Abb. 43)
2. Bewegen Sie den Schnitthöhenhebel in die Kerbe für die korrekte Schnitthöhe.

So lassen Sie den Motor an

1. Setzen Sie sich auf den Sitz.
2. Drücken Sie den Zapfwellenschalter hinein, um beim Mähdeck den Antrieb auszukoppeln. (Abb. 38)

3. Bringen Sie das Mähdeck in die Transportstellung. Siehe *So bringen Sie das Mähdeck in die Transport- oder Mähstellung auf Seite 41*.
4. Ziehen Sie die Handbremse an. Siehe *So betätigen und lösen Sie die Handbremse auf Seite 41*.
5. Bewegen Sie den Gashebel (A) in die mittlere Gasstellung. (Abb. 44)
6. Wenn der Motor kalt ist, ziehen Sie den Choke-Hebel (B) nach oben.
7. Stecken Sie den Zündschlüssel ein, und drehen Sie diesen in die Startstellung.
8. Wenn der Motor startet, lassen Sie den Zündschlüssel los, sodass dieser in die Betriebsstellung zurückkehrt.

Hinweis: Lassen Sie den Zündschlüssel nicht länger als je 5 Sekunden in der Startposition. Wenn der Motor nicht startet, warten Sie 15 Sekunden, bevor Sie es erneut versuchen.

9. Wenn der Motor kalt ist, drücken Sie den Choke-Hebel langsam nach unten.
10. Lassen Sie den Motor 3 bis 5 Minuten mit Halbgas laufen, bevor Sie Vollgas geben.
11. Drücken Sie den Gashebel in die Vollgas-Position.

So bedienen Sie das Gerät

1. Starten Sie den Motor. Siehe *So lassen Sie den Motor an auf Seite 41*.
2. Die Handbremse lösen. Siehe *So betätigen und lösen Sie die Handbremse auf Seite 41*.
3. Drücken Sie die 2 Steuerhebel vorsichtig nach vorn. Das Gerät beginnt, sich vorwärts zu bewegen. Die Vorwärtsgeschwindigkeit erhöht sich, je weiter die 2 Steuerhebel nach vorn gedrückt werden. (Abb. 45)
4. Die 2 Steuerhebel vorsichtig nach hinten ziehen. Das Gerät beginnt, sich rückwärts zu bewegen. Die Rückwärtsgeschwindigkeit erhöht sich, je weiter die 2 Steuerhebel nach hinten gezogen werden.
5. Bringen Sie die 2 Steuerhebel in die Neutralstellung, um die Geschwindigkeit zu verringern und das Gerät anzuhalten.
6. Führen Sie die folgenden Schritte aus, um nach links oder rechts abzulenken, wenn Sie vorwärts fahren.
 - a) Ziehen Sie den linken Steuerhebel nach hinten in Richtung der Neutralstellung, um das Gerät nach links fahren zu lassen. Je weiter Sie den linken Steuerhebel nach hinten ziehen, desto mehr dreht sich das Gerät nach links. (Abb. 46)

- b) Ziehen Sie den rechten Steuerhebel nach hinten in Richtung der Neutralstellung, um das Gerät nach rechts fahren zu lassen. Je weiter Sie den rechten Steuerhebel nach hinten ziehen, desto mehr dreht sich das Gerät nach rechts. (Abb. 47)
7. Führen Sie die folgenden Schritte aus, um einen Nullwendekreis zu fahren.
 - a) Ziehen Sie die 2 Steuerhebel nach hinten in Richtung der Neutralstellung, um die Geschwindigkeit zu verringern oder das Gerät anzuhalten.
 - b) Bewegen Sie den 1 Steuerhebel leicht nach vorn und den anderen leicht nach hinten, um einen Nullwendekreis zu fahren.
 8. Senken Sie das Mähdeck in die Mähposition ab. Siehe *So bringen Sie das Mähdeck in die Transport- oder Mähstellung auf Seite 41*.
 9. Ziehen Sie den PTO-Knopf nach oben, um den Klingenantrieb zu aktivieren.
 10. Wenn die Schnitthöhe während des Betriebs eingestellt werden muss, siehe *So stellen Sie die Schnitthöhe ein auf Seite 41*.

So schalten Sie den Motor aus

1. Bewegen Sie die 2 Steuerhebel in die Neutralstellung, um das Gerät anzuhalten.
2. Feststellbremse anziehen.
3. Drücken Sie den PTO-Knopf nach unten, um den Klingenantrieb zu deaktivieren. (Abb. 38)
4. Bringen Sie das Mähdeck in die Transportstellung.
5. Drücken Sie den Gashebel in die Minimalstellung.
6. Den Motor mindestens 1 Minute im Leerlauf laufen lassen, bis er die normale Betriebstemperatur erreicht hat.
7. Den Zündschlüssel in die Stop-Position drehen.
8. Ziehen Sie den Zündschlüssel ab, wenn Sie sich nicht in der Nähe des Geräts befinden.

So erhalten Sie ein gutes Mähergebnis

- Führen Sie für eine optimale Leistung regelmäßig Wartungsarbeiten am Gerät entsprechend den Angaben im Wartungsplan durch. Siehe *Wartung auf Seite 43*.
- Mähen Sie keinen nassen Rasen. Nasses Gras kann zu schlechten Mähergebnissen führen.
- Mit einer hohen Schnitthöhe beginnen und diese allmählich verringern.
- Geben Sie Vollgas, wenn Sie das Gras schneiden.
- Bewegen Sie das Gerät bei niedriger Geschwindigkeit vorwärts, wenn das Gras hoch und dick ist.

- Schneiden Sie das Gras in einem unregelmäßigen Muster.
- Wenn Sie große Bereiche mähen, bewegen Sie das Gerät während 1 oder 2 Umdrehungen um den Arbeitsbereich nach rechts. Dieses Verfahren hält den Grasauswurf von Sträuchern, Zäunen und Einfahrten fern. Mähen Sie nach ca. 2 Umdrehungen im Arbeitsbereich in die entgegengesetzte Richtung. (Abb. 48)
- Wenn der Mulchsatz verwendet wird, schneiden Sie das Gras häufiger.
- Um die besten Mähergebnisse zu erzielen, mähen Sie den Rasen häufig.

Wartung

Einleitung



WARNUNG: Vor der Durchführung von Wartungsarbeiten müssen Sie die Sicherheitsinformationen lesen und verstehen.

X = Diese Anweisungen sind in dieser Bedienungsanleitung enthalten.

O = Anweisungen sind in der Betriebsanleitung des Motors enthalten.

Wartungsplan für den Fahrer

Wartungsplan

* = Die Anweisungen sind nicht in dieser Bedienungsanleitung enthalten.

Wartung	Tägliche Wartung		Die Wartung mindestens 1 Mal pro Jahr durchführen	Wartungsintervall in Stunden			
	Vorher	Nachher		25	50	100	300
Eine Prüfung der Handbremse durchführen.	X						
Motorölstand kontrollieren.	O						
Das Sicherheitssystem kontrollieren.	X						
Sicherstellen, dass das Gerät keine Kraftstoff- oder Ölleckagen verursacht.	*						
Sicherstellen, dass das Gerät nicht beschädigt ist.		*					
Sicherstellen, dass keine lockeren Teile vorhanden sind.		*					
Das Mähdeck auf Schäden überprüfen.		*					
Die Einstellung des Mähdecks überprüfen.			X				X
Den Reifendruck kontrollieren.	X			X	X	X	X
Die Batterieanschlüsse überprüfen.			X	X	X	X	X
Den Gaszug überprüfen.						O	

Wartung	Tägliche Wartung		Die Wartung mindestens 1 Mal pro Jahr durchführen	Wartungsintervall in Stunden			
	Vorher	Nachher		25	50	100	300
Die Schwenkräder überprüfen (alle 200 Stunden).			X			X	
Das Ventilspiel des Motors kontrollieren. ¹⁵			*				*
Den Lufteinlass des Motors reinigen. ¹⁶			O	O			
Die Unterseite des Mähdecks reinigen.		X					
Rund um den Motor reinigen.		*					
Den Bereich um die Riemen und Riemenscheiben reinigen.		*			*	*	*
Die Riemen und Riemenscheiben kontrollieren.			X			X	
Den Schaumstoff-Vorfilter reinigen. ¹⁷			O	O			
Den Schaumstoff-Vorfilter ersetzen. ^{18,19}			O				
Den Papierfiltereinsatz reinigen. ²⁰			O	O			
Den Schalldämpfer und das Funkenfängersieb überprüfen.			*		*	*	*
Den Motor und die Klängen starten und auf ungewöhnliche Geräusche achten.		*					
Die Klängen schärfen. ²¹			X	X			
So ersetzen Sie die Glättflügel			X	X			
Die Zündkerzen ersetzen.			O			O	
Das Motoröl wechseln. ²²			O	O			
Motorölfilter ersetzen.			O			O	

¹⁵ Muss von einem zugelassenen Kundendiensttechniker durchgeführt werden.

¹⁶ Unter staubigen Bedingungen müssen Reinigung und Austausch häufiger durchgeführt werden.

¹⁷ Unter staubigen Bedingungen müssen Reinigung und Austausch häufiger durchgeführt werden.

¹⁸ Unter staubigen Bedingungen müssen Reinigung und Austausch häufiger durchgeführt werden.

¹⁹ Wenn das Gerät mit einem Schaumstoff-Vorfilter ausgestattet ist.

²⁰ Unter staubigen Bedingungen müssen Reinigung und Austausch häufiger durchgeführt werden.

²¹ Muss von einem zugelassenen Kundendiensttechniker durchgeführt werden.

²² Das Motoröl nach den ersten 8 bis 10 Betriebsstunden wechseln. Wenn das Gerät mit hoher Last oder bei hohen Umgebungstemperaturen betrieben wird, das Motoröl alle 50 Betriebsstunden wechseln.

Wartung	Tägliche Wartung		Die Wartung mindestens 1 Mal pro Jahr durchführen	Wartungsintervall in Stunden			
	Vorher	Nachher		25	50	100	300
Den Kraftstofffilter ersetzen.			○			○	
Den Papierluftfilter austauschen. ²³			○			○	
Den 300-Stunden-Service durchführen. ²⁴			*				*

So reinigen Sie das Gerät



ACHTUNG: Verwenden Sie keinen Hochdruck- oder Dampfreiniger. Wasser kann in Lager und elektrische Anschlüsse gelangen und Korrosion verursachen, die zu Schäden am Gerät führt.

Reinigen Sie das Gerät sofort nach der Anwendung.

- Reinigen Sie keine heißen Oberflächen wie Motor, Schalldämpfer und Abgasanlage. Warten Sie, bis die Oberflächen abgekühlt sind, und entfernen Sie dann Gras oder Schmutz.
- Vor dem Reinigen mit Wasser reinigen Sie mit einer Bürste. Entfernen Sie Gras und Schmutz auf dem und um das Getriebe, dem Getriebe-Lufteinlass und dem Motor.
- Verwenden Sie fließendes Wasser aus einem Schlauch, um das Gerät zu reinigen. Verwenden Sie keinen Hochdruckreiniger.
- Richten Sie den Wasserstrahl nicht auf elektrische Bauteile oder Lager. Reinigungsmittel erhöhen in der Regel die Beschädigung.
- Verwenden Sie Druckluft, um die Oberseite des Mähdecks zu reinigen.
- Verwenden Sie einen Wasserschlauch zum Reinigen unter dem Mähdeck.
- Wenn das Gerät sauber ist, schalten Sie das Mähdeck kurz ein, um Restwasser zu entfernen.

So reinigen Sie Motor und Schalldämpfer

Halten Sie Motor und Schalldämpfer frei von Rasenschnitt und Schmutz. In Benzin oder Öl getränkter Rasenschnitt auf dem Motor kann die Brandgefahr erhöhen und das Risiko, dass der Motor zu heiß wird. Lassen Sie den Motor abkühlen, bevor er gereinigt wird. Mit Wasser und einer Bürste reinigen.

Rasenschnitt rund um den Schalldämpfer trocknet schnell und stellt eine Brandgefahr dar. Verwenden Sie eine Bürste oder entfernen Sie den Rasenschnitt mit Wasser, wenn der Schalldämpfer kalt ist.

So reinigen Sie den Akku

Korrosion und Schmutz an der Batterie und den Klemmen können die Leistung der Batterie verringern.

1. Entfernen Sie die Batterie. Siehe *So entfernen und installieren Sie den Akku auf Seite 46*.
2. Waschen Sie die Batterie mit Wasser ab und lassen Sie sie trocknen.



ACHTUNG: Verwenden Sie keinen Hochdruck- oder Dampfreiniger. Wasser kann in Lager und elektrische Anschlüsse gelangen und Korrosion verursachen, die zu Schäden am Gerät führt.

3. Reinigen Sie die Klemmen und die Batteriekabelenden mit einer Drahtbürste.

So kontrollieren Sie die Feststellbremse

1. Stellen Sie das Gerät an einem Hang mit festem Untergrund ab.

Hinweis: Stellen Sie das Gerät nicht auf einem Grashang ab, wenn Sie eine Kontrolle der Handbremse durchführen.

2. Feststellbremse anziehen.
3. Wenn das Gerät sich zu bewegen beginnt, wenn die Feststellbremse angezogen ist, lassen Sie die Handbremse von einer autorisierten Servicewerkstatt einstellen.
4. Die Handbremse lösen.

So laden Sie den Akku

- Laden Sie den Akku, wenn er zu schwach ist, um den Motor zu starten. Siehe *Batterieladezeiten auf Seite 56* für die Batterieladezeiten.
- Verwenden Sie ein Standard-Ladegerät.

²³ Unter staubigen Bedingungen müssen Reinigung und Austausch häufiger durchgeführt werden.

²⁴ Muss von einem zugelassenen Kundendiensttechniker durchgeführt werden.



ACHTUNG: Benutzen Sie kein Schnellladegerät oder ähnliche Starthilfen. Ein Schnellladegerät oder eine Starthilfeeinrichtung beschädigt die elektrische Anlage des Geräts.

- Trennen Sie vor dem Anlassen des Motors immer die Verbindung zum Batterieladegerät.

So führen Sie einen Fremdstart des Motors durch

Wenn die Batterie zu schwach ist, um den Motor zu starten, können Sie Überbrückungskabel für einen Fremdstart verwenden. Das Gerät ist mit einem negativ geerdeten 12-Volt-System ausgestattet. Das Produkt, das Sie für den Fremdstart verwenden, muss ebenfalls ein 12V-System mit negativer Masse haben.

So schließen Sie die Überbrückungskabel an



WARNUNG: Es besteht Explosionsgefahr aufgrund explosiver Gase, die von der Batterie ausgehen. Schließen Sie die Minusklemme der geladenen Batterie nicht an die oder in der Nähe der Minusklemme der schwachen Batterie an.



ACHTUNG: Verwenden Sie die Batterie des Geräts nicht zum Fremdstarten anderer Fahrzeuge.

1. Schließen Sie ein Ende des roten Kabels an den PLUSPOL (+) der leeren Batterie an (A). (Abb. 49)
2. Schließen Sie das andere Ende des roten Kabels an den PLUSPOL (+) der vollständig geladenen Batterie (B) an.



WARNUNG: Schließen Sie die Enden des roten Kabels nicht am Chassis kurz.

3. Verbinden Sie ein Ende des schwarzen Kabels mit dem MINUSPOL (-) der vollgeladenen Batterie (C).
4. Verbinden Sie das andere Ende des schwarzen Kabels mit einer KAROSSERIE-MASSE (D), nicht in der Nähe von Kraftstofftank und Batterie.

So entfernen Sie die Überbrückungskabel

Hinweis: Entfernen Sie die Überbrückungskabel in umgekehrter Reihenfolge, wie Sie sie angeschlossen haben.

1. Entfernen Sie das SCHWARZE Kabel vom Chassis.

2. Entfernen Sie das SCHWARZE Kabel vom voll aufgeladenen Akku.
3. Entfernen Sie das ROTE Kabel von den 2 Batterien.

So entfernen und installieren Sie den Akku

1. Klappen Sie den Sitz nach vorne. Siehe *So klappen Sie den Sitz um auf Seite 41*.
2. Entfernen Sie die Schraube und die Mutter von der Batteriehalterung, und entfernen Sie die Halterung der Batterie. (Abb. 50)
3. Trennen Sie das schwarze Batteriekabel mit 2 Schraubenschlüsseln vom Minuspol (-) der Batterie.
4. Trennen Sie das rote Batteriekabel mit 2 Schraubenschlüsseln vom Pluspol (+) der Batterie.
5. Entfernen Sie die Batterie vorsichtig aus dem Gerät.
6. Die Installation erfolgt in umgekehrter Reihenfolge.

So stellen Sie die Nachlaufgeschwindigkeit ein

Wenn sich das Gerät nicht gerade vorwärts bewegt, muss die Nachlaufgeschwindigkeit angepasst werden.



WARNUNG: Stellen Sie die Nachlaufgeschwindigkeit immer in einem offenen Bereich ohne umstehende Personen ein.

1. Den Reifendruck kontrollieren. Siehe *Reifendruck auf Seite 46*.
2. Drehen Sie die Nachlaufsteuerungen heraus, bis sie mit den Muttern bündig sind. Siehe *Geräteübersicht auf Seite 32* für Informationen zur Position der Nachlaufsteuerelemente.
3. Starten Sie das Gerät.
4. Bewegen Sie die Steuerhebel ganz nach vorn, und fahren Sie das Gerät mit Vollgas.
5. Drehen Sie das Nachlauf-Steuerelement auf der rechten Seite langsam, bis sich das Gerät nach rechts bewegt.
6. Drehen Sie das Nachlauf-Steuerelement auf der linken Seite langsam, bis sich das Gerät geradeaus vorwärts bewegt.

Reifendruck

Stellen Sie sicher, dass der Reifendruck an allen 4 Reifen korrekt ist. Siehe *Technische Daten auf Seite 54*.

So entfernen und montieren Sie die Vorderräder

1. Entfernen Sie die Mutter und die Schraube, um die Vorderräder von den Gabeln zu entfernen. (Abb. 51)
2. Die Installation erfolgt in umgekehrter Reihenfolge. Ziehen Sie die Mutter und die Schraube mit 50 ft-lbs/67,8 Nm fest.

So stellen Sie die Schwimmrollen ein

Die Schwimmrollen halten das Mähdeck in der korrekten Position am Boden und verhindern eine Kollision mit dem Boden auf den meisten Untergründen. Die Schwimmrollen können in 3 Positionen für verschiedene Graslängen eingestellt werden:

- Obere Position: Gras von 1,5–2,5 Zoll / 38–64 mm Länge.
 - Mittlere Position: Gras von 2,5–4 Zoll / 64–102 mm Länge.
 - Untere Position: Gras von 4–5 Zoll / 102–127 mm Länge.
1. Stellen Sie das Gerät auf einer ebenen Fläche ab, und stellen Sie den Motor ab.
 2. Entfernen Sie die Mutter, die Schraube, die Achse und die Schwimmrolle. (Abb. 52)
 3. Montieren Sie die Schwimmrolle in einer der 3 Positionen.



ACHTUNG: Das Mähdeck kann beschädigt werden, wenn die Schwimmrollen falsch eingestellt sind. Der Abstand zwischen Schwimmrollen und Boden muss ca. 1/4 Zoll / 6,4 mm betragen.

So stellen Sie die Fluchtung des Mähdecks ein

Mit diesem Verfahren wird das Mähdeck in eine Standardposition gebracht.

1. Sicherstellen, dass der Reifendruck korrekt ist. Siehe *Reifendruck auf Seite 46*.
2. Stellen Sie das Gerät auf einer ebenen Fläche ab.
3. Bringen Sie das Mähdeck in die Transportposition.
4. Drehen Sie die äußeren Klingenspitzen so, dass sie auf das Mähdeck von Seite zu Seite gesehen ausgerichtet sind. (Abb. 53)



WARNUNG: Die Klängen auf dem Mähdeck sind scharf und können Verletzungen verursachen. Tragen Sie stets Schutzhandschuhe.

5. Messen Sie den Abstand von der Bodenfläche zur Unterseite der Klingenspitze auf der Auswurfseite des Mähdecks. Notieren Sie sich den Abstand.
6. Messen Sie den Abstand zwischen dem Boden und der Unterseite der Klingenspitze auf der der Auswurfseite gegenüberliegenden Seite. Der Abstand muss dem Abstand auf der Auswurfseite entsprechen. Wenn eine Einstellung erforderlich ist, justieren Sie die Einstellmutter der Hubstangen so lange, bis der Abstand von Seite zu Seite gleich ist. Drehen Sie die Muttern im Uhrzeigersinn, um die Höhe zu vergrößern und gegen den Uhrzeigersinn, um die Höhe zu verringern. (Abb. 54)
7. Drehen Sie die Klängen, bis sie mit dem Mähdeck von vorn nach hinten ausgerichtet sind.
8. Wenn der Abstand der vorderen Klingenspitze hinten nicht 1/8–1/2 Zoll. bzw. 0,3175–1,27 mm höher als vorne ist, drehen Sie die Muttern am Gestänge der Vorderradaufhängung. Drehen Sie die Muttern im Uhrzeigersinn, um die Höhe zu vergrößern und gegen den Uhrzeigersinn, um die Höhe zu verringern. (Abb. 55)
9. Messen Sie die Abstände erneut, um sicherzustellen, dass das Mähdeck korrekt eingestellt wurde.

So überprüfen Sie die Klängen



ACHTUNG: Beschädigte oder falsch ausgewuchtete Klängen können zu Schäden am Gerät führen. Ersetzen Sie beschädigte Glättflügel. Wenden Sie sich zum Schärfer und Auswuchten von stumpfen Klängen an eine zugelassene Servicewerkstatt.

- Sehen Sie sich die Klängen an, um zu prüfen, ob sie beschädigt sind und ob es notwendig ist, sie zu schärfen.

So ersetzen Sie die Klängen

1. Entfernen Sie den Bolzen der Klinge.
2. Montieren Sie die neue Klinge mit der ungestempelten Seite in Richtung Mähdeck.



WARNUNG: Ein falscher Klingentyp kann dazu führen, dass Objekte aus dem Mähdeck geschleudert werden und schwere Verletzungen verursachen. Verwenden Sie nur zugelassene Klängen.

3. Schrauben Sie die Klingenschraube ein. Ziehen Sie die Schraube mit 60–81 Nm fest.

So entfernen Sie den Mähdeckriemen

Stellen Sie das Gerät auf ebenem Untergrund ab, und ziehen Sie die Handbremse an, bevor Sie diese Arbeit durchführen.

1. Stellen Sie das Mähdeck auf die niedrigste Stellung.
2. Entfernen Sie die 2 Riemenabdeckungen.
3. Entfernen Sie Schmutz und unerwünschtes Material rund um das Mähdeckgehäuse und von der Mähdeckoberfläche.
4. Notieren Sie sich die Position der Riemenführung.
5. Lösen Sie die Mutter an der Riemenführung. (Abb. 56)
6. Drücken Sie den Spannarm nach vorn, um die Spannung auf dem Mähdeckriemen zu verringern, und entfernen Sie vorsichtig den Mähdeckriemen von den Riemenscheiben.
7. Entfernen Sie den Mähdeckriemen von der elektrischen Kupplung auf der Motorwelle.

So installieren Sie den Mähdeckriemen

1. Führen Sie den Mähdeckriemen um die Riemenscheibe der elektrischen Kupplung, die sich auf der Motorwelle befindet.
2. Legen Sie den Mähdeckriemen um die Riemenscheiben am Mähdeck.

Hinweis: Beachten Sie den Aufkleber mit der Richtung der Riemenführung auf dem Mähdeck, wenn Sie den Mähdeckriemen montieren.

3. Drücken Sie den Spannarm nach vorn, bis Sie den Mähdeckriemen um die feststehende Riemenscheibe legen können, und halten Sie ihn dort.
4. Legen Sie den Mähdeckriemen vorsichtig um die feststehende Riemenscheibe, und lassen Sie den Spannarm langsam wieder los.
5. Stellen Sie sicher, dass die Riemenführung auf die Riemenführung auf dem Aufkleber für die Riemenführung ausgerichtet ist.
6. Achten Sie darauf, dass der Mähdeckriemen nicht verdreht ist.
7. Bringen Sie die Riemenführung in die richtige Position, und ziehen Sie die Mutter fest.

Hinweis: Orientieren Sie sich an der Notiz, die Sie beim Entfernen der Riemenführung gemacht haben.

8. Montieren Sie die 2 Riemenabdeckungen.

So prüfen Sie den Motorölstand

1. Stellen Sie das Gerät auf einer ebenen Fläche ab, und stellen Sie den Motor ab.
2. Ziehen Sie das Fahrersitzpolster hoch, um Zugang zum Motor zu erhalten.
3. Lösen Sie den Messstab, und ziehen Sie ihn heraus.
4. Reinigen Sie den Messstab von Öl.
5. Führen Sie den Messstab in das Loch für den Messstab und drehen Sie ihn fest.
6. Lösen und ziehen Sie den Messstab heraus und lesen Sie den Ölstand ab.
7. Der Ölstand muss zwischen den Markierungen auf dem Messstab liegen. Wenn sich der Ölstand nahe der „ADD“-Markierung befindet, füllen Sie Öl bis zur Markierung „FULL“ nach. (Abb. 57)
8. Füllen Sie Öl durch die Öffnung für den Ölmesstab ein. Füllen Sie das Öl langsam ein.

Hinweis: Siehe *Technische Daten auf Seite 54* für die verschiedenen Arten von Motoröl, die Husqvarna empfiehlt. Mischen Sie nicht verschiedene Arten von Öl.

9. Drehen Sie den Messstab vollständig fest, bevor Sie den Motor anlassen.

So wechseln Sie das Motoröl

Wenn der Motor kalt ist, starten Sie den Motor für 1 bis 2 Minuten, bevor Sie das Motoröl ablassen. Dadurch wird das Motoröl erwärmt und kann schneller ablaufen.



WARNUNG: Betreiben Sie den Motor nicht länger als 1-2 Minuten, bevor Sie das Motoröl ablassen. Das Motoröl wird sehr heiß und kann zu Verbrennungen führen. Lassen Sie den Motor abkühlen, bevor Sie das Motoröl ablassen.



WARNUNG: Wenn Sie Motoröl auf Körperteile verschütten, reinigen Sie diese mit Wasser und Seife.

1. Stellen Sie das Gerät auf einer ebenen Fläche ab, und stellen Sie den Motor ab.
2. Ziehen Sie die Handbremse an. Siehe *So betätigen und lösen Sie die Handbremse auf Seite 41*.
3. Entfernen Sie sämtlichen Schmutz um den Öltankdeckel.
4. Entfernen Sie den Öltankdeckel und den Messstab.
5. Installieren Sie die Ölablassleitung (A) am Motoröl-Ablassventil (B). (Abb. 58)

6. Stellen Sie einen Behälter unter den Motor, um das Motoröl aufzufangen.
7. Drehen Sie das Ölablassventil gegen den Uhrzeigersinn, um das Ölablassventil zu öffnen. Verwenden Sie einen 10-mm-Schraubenschlüssel.
8. Wenn das gesamte Motoröl abgelassen ist, drehen Sie das Ölablassventil im Uhrzeigersinn, um es zu schließen. Verwenden Sie einen 10-mm-Schraubenschlüssel.
9. Ziehen Sie das Ölablassventil vorsichtig mit dem 10-mm-Schraubenschlüssel fest. Ziehen Sie sie nicht zu fest an.



ACHTUNG: Üben Sie beim Festziehen des Ölablassventils nicht zu viel Drehmoment aus.

10. Entfernen Sie die Ölablassleitung vom Ölablassventil.
11. Füllen Sie neues Öl ein, und kontrollieren Sie das Motoröl. Siehe *So prüfen Sie den Motorölstand auf Seite 48*.
12. Installieren Sie den Öltankdeckel und den Messstab.

Hinweis: Für eine sichere Entsorgung von altem Motoröl, lesen Sie *Entsorgung auf Seite 53*.

Schmierung, allgemeine Informationen

- Ziehen Sie den Zündschlüssel ab, um unbeabsichtigte Bewegungen während des Schmierens zu vermeiden.

Siehe	Schmierung	Intervall			
		Täg-lich	Alle 25 Stun- den	Alle 50 Stun- den	Alle 200 Stun- den
A	Den Schmiernippel an der Schwenkachse mit einer Schmierfettpistole schmieren.		X		
B	Den Ölstand prüfen.	X			
C	Den Ölfilter ersetzen.				X

Stets hochwertiges Schmierfett verwenden. Stets das empfohlene Öl verwenden, siehe *Technische Daten auf Seite 54*.

So schmieren Sie die Vorderräder

- Schmieren Sie den Nippel (A) mit einer Schmierfettpistole, bis Schmierfett unter der oberen Unterlegscheibe austritt. (Abb. 59)

- Reinigen Sie den Bereich, bevor Sie ein Teil an dem Produkt schmieren.
- Verwenden Sie Öl, wenn Sie mit einem Ölkännchen schmieren.
- Wenn Sie mit Fett schmieren, verwenden Sie ein Chassis- oder Lagerfett, das Korrosion verhindert. Entfernen Sie überflüssiges Schmierfett nach dem Schmieren.
- Schmieren Sie zwei Mal pro Woche, wenn Sie das Gerät täglich betreiben.
- Verschütten Sie kein Schmiermittel auf die Treibriemen oder die Nuten der Riesenscheiben. Sollten Sie dennoch etwas Schmiermittel verschütten, mit Alkohol reinigen. Wenn die Reibung zwischen Treibriemen und Riemenscheibe nach der Reinigung mit Alkohol nicht ausreichend ist, ersetzen Sie den Treibriemen.



ACHTUNG: Verwenden Sie kein Benzin oder andere Erdölprodukte zur Reinigung der Treibriemen.

Schmierplan

(Abb. 2)

- Schmieren Sie das Gelenklager der Vorderräder (B) mit einer Schmierfettpistole, bis Schmierfett austritt.

Fehlerbehebung

Fehlerbehebung

Wenn Sie in dieser Bedienungsanleitung keine Lösung für Ihre Probleme finden können, wenden Sie sich an Ihre Husqvarna-Servicewerkstatt.

Problem	Ursache
Motor springt nicht an.	Der Klingenantrieb ist aktiviert. Siehe <i>PTO-Knopf (Zapfwellenantrieb) auf Seite 33</i> .
	Die Steuerhebel sind nicht in der äußeren Position arretiert.
	Die Batterie ist zu schwach. Siehe <i>So laden Sie den Akku auf Seite 45</i> .
	Es befindet sich Schmutz im Vergaser oder in der Kraftstoffleitung.
	Das Kraftstoffabsperrentil ist geschlossen oder befindet sich in der falschen Position.
	Der Kraftstofffilter oder die Kraftstoffleitung ist verstopft.
	Das Zündsystem ist beschädigt.
Der Anlasser dreht den Motor nicht.	Die Batterie ist zu schwach. Siehe <i>So laden Sie den Akku auf Seite 45</i> .
	Die Verbindung der Kabelsteckverbinder an den Batterieklemmen ist schlecht. Siehe <i>So reinigen Sie den Akku auf Seite 45</i> .
	Eine Sicherung ist durchgebrannt. Siehe <i>Sicherungen auf Seite 33</i> .
	Die Fahrerpräsenzsteuerung (OPC) arbeitet nicht korrekt. Siehe <i>Sitzkontaktschalter (OPC) auf Seite 32</i> .
Der Motor läuft nicht rund.	Der Vergaser ist falsch eingestellt.
	Der Kraftstofffilter oder die Kraftstoffdüse ist verstopft.
	Der Gashebel befindet sich in der Kaltwetter-Startposition.
	Das Rückschlagventil am Tankdeckel ist verstopft.
	Der Kraftstofftank ist fast leer.
	Die Zündkerze ist beschädigt.
	Das Kraftstoffgemisch oder der Kraftstofftyp ist nicht korrekt.
	Es befindet sich Wasser im Kraftstoff.
	Der Luftfilter ist verstopft.
Der Motor hat offenbar keine Leistung.	Der Luftfilter ist verstopft.
	Die Zündkerze ist beschädigt.
	Der Vergaser ist falsch eingestellt.
	Es befindet sich Luft im Hydrauliksystem.

Problem	Ursache
Es gibt Vibrationen im Gerät.	Die Klingen sind locker. Siehe <i>So überprüfen Sie die Klingen auf Seite 47.</i>
	Eine oder mehrere Klingen sind nicht gewuchtet. Siehe <i>So überprüfen Sie die Klingen auf Seite 47.</i>
	Der Motor ist locker.
Der Motor wird zu heiß.	Der Luftfilter oder die Kühlrippen sind verstopft.
	Der Motor ist überlastet.
	Der Luftstrom um den Motor reicht nicht aus.
	Der Motordrehzahlregler ist beschädigt.
	Der Ölstand ist zu niedrig.
	Es befindet sich Schmutz in der Kraftstoffleitung.
Die Zündkerze ist beschädigt.	
Der Akku wird nicht aufgeladen.	Die Verbindung der Kabelsteckverbinder an den Batterieklemmen ist schlecht. Siehe <i>So reinigen Sie den Akku auf Seite 45.</i>
	Das Ladekabel ist nicht angeschlossen.
Das Gerät bewegt sich langsam, mit unregelmäßiger Geschwindigkeit oder gar nicht.	Die Bypassgestänge sind aktiviert.
	Der Antriebsriemen am Getriebe ist locker oder beschädigt.
	Es befindet sich Luft im Hydrauliksystem.
Der Klingenantrieb ist nicht aktiviert.	Antriebsriemen am Mähdeck ist locker.
	Der Kontakt der elektromagnetischen Kupplung ist locker.
	Der Antrieb der Klinge ist beschädigt oder hat sich von den Kabelsteckverbindern gelöst.
	Eine Sicherung ist durchgebrannt.
Aus dem Getriebe tritt Öl aus.	Die Dichtungen, das Gehäuse oder die Dichtringe sind beschädigt.
	Es befindet sich Luft im Hydrauliksystem.
Das Schneidergebnis ist nicht zufriedenstellend.	Der Reifendruck ist auf der rechten und linken Seite unterschiedlich. Siehe <i>Reifendruck auf Seite 46.</i>
	Die Klingen sind beschädigt.
	Die Aufhängung des Mähdecks ist nicht waagrecht.
	Die Klingen sind stumpf. Siehe <i>So überprüfen Sie die Klingen auf Seite 47.</i>
	Das Gerät wird mit zu hoher Drehzahl im Vorwärts- oder Rückwärtsgang betrieben. Siehe <i>So erhalten Sie ein gutes Mähergebnis auf Seite 42.</i>
	Das Gras ist zu lang. Siehe <i>So erhalten Sie ein gutes Mähergebnis auf Seite 42.</i>
	Verstopfung durch Gras im Mähdeck. Siehe <i>So reinigen Sie das Gerät auf Seite 45.</i>

Transport, Lagerung und Entsorgung

Transport

- Das Gerät ist schwer und kann Quetschungen verursachen. Seien Sie vorsichtig, wenn Sie es auf ein Fahrzeug oder einen Anhänger laden oder davon herunterladen.
- Laden Sie das Gerät rückwärts auf zugelassene Rampen mit einem maximalen Steigungswinkel von 10°. Heben Sie das Gerät nicht an.
- Verwenden Sie einen für den Transport des Geräts zugelassenen Anhänger.
- Vergewissern Sie sich, dass Sie die örtliche Straßenverkehrsordnung kennen bevor Sie das Gerät in einem Anhänger oder auf öffentlichen Straßen transportieren.
- Unterbrechen Sie die Kraftstoffzufuhr des Geräts.
- Sichern Sie das Gerät mit zugelassenen Vorrichtungen, wie z. B. Spanngurten. Nutzen Sie die Verzurpunkte am Gerät. Die Handbremse reicht nicht aus, um das Gerät während des Transports zu sichern.

So schleppen Sie das Gerät ab



WARNUNG: Vor dem Abschleppen des Geräts müssen Sie die Sicherheitsinformationen lesen und verstehen. Siehe *Sicherheit beim Abschleppen auf Seite 39*.

- Seien Sie vorsichtig, wenn Sie das Gerät abschleppen.
- Bewegen Sie das Gerät langsam, wenn Sie es abschleppen.
- Der Bremsweg erhöht sich, wenn Sie das Gerät abschleppen. Achten Sie darauf, die Geschwindigkeit rechtzeitig zu verringern.
- Fahren Sie für einen sicheren Betrieb keine engen Kurven.
- Vermeiden Sie das Abschleppen in der Nähe von Gräben, Wasserflächen und anderen gefährlichen Bereichen.

Lagerung

Bereiten Sie das Gerät zur Lagerung am Saisonende vor und wenn es länger als 30 Tage nicht verwendet wird. Wenn Kraftstoff 30 Tage oder länger im Kraftstofftank verbleibt, können klebrige Partikel zu Verstopfungen im Vergaser führen. Dies hat negative Auswirkungen auf die Funktion des Motors.

Zur Vermeidung von klebrigen Partikeln während der Lagerung, fügen Sie einen Stabilisator hinzu. Wenn Alkylatbenzin verwendet wird, ist kein Stabilisator erforderlich. Wenn Sie Standardbenzin verwenden, wechseln Sie nicht zu Alkylatbenzin. Dadurch können sich empfindliche Gummiteile verhärtet.

Geben Sie den Stabilisator zum Kraftstoff in den Tank oder in den Behälter für die Lagerung. Befolgen Sie immer die Mischungsverhältnis-Vorgaben des Herstellers. Fügen Sie den Kraftstoffstabilisator hinzu und lassen Sie den Motor mindestens 10 Minuten laufen, bis der Kraftstoff in den Vergaser fließt.



WARNUNG: Lagern Sie das Gerät nicht mit Kraftstoff im Tank in Innenräumen oder Räumen mit unzureichender Belüftung. Sonst können Benzindämpfe in Kontakt mit offenem Feuer, Funken oder einem Kontrollämpchen (z. B. Boiler, Warmwasserspeicher und Wäschetrockner) kommen und Feuer auslösen.



WARNUNG: Entfernen Sie Gras, Blätter und andere brennbare Materialien vom Gerät, um die Brandgefahr zu reduzieren. Lassen Sie das Gerät abkühlen, bevor Sie es einlagern.

- Reinigen Sie das Gerät, siehe *So reinigen Sie das Gerät auf Seite 45*.
- Entfernen Sie unerwünschte Materialien vom Kühlerlüfter.
- Beheben Sie Lackschäden, um Rost zu vermeiden.
- Untersuchen Sie das Gerät auf abgenutzte oder beschädigte Teile und ziehen Sie lockere Schrauben und Muttern an.
- Entfernen Sie die Batterie. Reinigen Sie das Gerät, laden Sie es und lagern Sie es kühl.
- Wechseln Sie das Motoröl, und entsorgen Sie das Altöl.
- Leeren Sie den Kraftstofftank. Starten Sie den Motor und lassen Sie ihn laufen, bis kein Kraftstoff mehr im Vergaser ist.

Hinweis: Leeren Sie Tank und Vergaser nicht, wenn ein Stabilisator hinzugefügt wurde.

- Entfernen Sie die Zündkerzen, und füllen Sie einen Esslöffel Motoröl in jeden Zylinder. Drehen Sie die Motorwelle von Hand, um das Öl aufzubringen, und setzen Sie die Zündkerzen wieder ein.
- Schmieren Sie alle Schmiernippel, Gelenke/ Verbindungen und Achsen.
- Bewahren Sie das Gerät an einem sauberen, trockenen Ort auf und decken Sie es für zusätzlichen Schutz ab.

Entsorgung

- Chemikalien können gefährlich sein und dürfen nicht auf dem Boden entsorgt werden. Entsorgen Sie immer alle verwendeten Chemikalien in einem Service Center oder in einer geeigneten Beseitigungsanlage.
- Wenn das Gerät abgenutzt ist, können Sie es zum Händler oder zu einer geeigneten Recyclingstelle schicken.
- Öl, Ölfilter, Kraftstoff und Akku können negative Auswirkungen auf die Umwelt haben. Befolgen Sie die örtlichen Recyclinganforderungen und geltenden Vorschriften.
- Entsorgen Sie den Akku nicht über den Hausmüll.
- Schicken Sie den Akku an eine Husqvarna-Servicewerkstatt oder entsorgen Sie ihn in einer Beseitigungsanlage für Altbatterien.

Technische Daten

Technische Daten

	Z242F
Motor	
Marke/Modell	Kawasaki/FR651V
Nennleistung des Motors, PS/kW ²⁵	18,6/13,9
Hubraum, cm ³	726
Höchstzahl des Motors, U/min	2800 ± 100
Kraftstoff, Mindest-Oktananzahl bleifrei, max. 10 % Ethanol, max 15 % MTBE	87
Tankinhalt, Gallonen/Liter	3,5/13,3
Öl	Klasse SF, SG, SH, SJ oder SL SAE40, SAE30, SAE20W-50, SAE10W-40, SAE10W-30, SAE5W-20
Ölmenge inkl. Filter, oz./l	70,4/2,1
Ölmenge ohne Filter, oz./l	60,8/1,8
Schmiersystem	Druck mit Ölfilter
Kühlsystem	Luftgekühlt
Luftfilter	Standard
Lichtmaschine, V. A. bei 3.600 U/min	12 V 15 A bei 3.600 U/min
Anlasser	Elektrischer Anlasser, 12 V
Abmessungen	
Länge, Zoll/cm	75/191
Breite, Zoll/cm	41,5/105,4
Breite mit Auswurf oben, Zoll/cm	48/121,9
Breite mit Auswurf unten, Zoll/cm	56/142,24
Höhe, mm	40/102
Gewicht mit leeren Tanks, lb/kg	560/254
Max. zulässiges Gefälle, Grad (°)	10
Schnittbreite, Zoll/mm	42/107
Schnitthöhe, Zoll/mm	1,5 bis 4/3,8 bis 10,2
Mähdeck	
Mähdeck-Konstruktion	Gefertigt
Anzahl der Klingen	2

²⁵ Die vom Motorenhersteller angegebene Nennleistung entspricht der durchschnittlichen Bruttoleistung bei einer bestimmten Drehzahl eines typischen Produktionsmotors für dieses Motormodell. Die Messung erfolgte entsprechend der SAE-Norm für die Motor-Bruttoleistung. Sehen Sie in die Motorspezifikationen des Motorenherstellers.

	Z242F
Klingenlänge, Zoll/cm	20,9/53,1
Klingenaktivierung	Elektromagnetische Kupplung
Produktivität, Acres/h / m ² /h	2,2/8.903,08
Reifen	
Reifendruck, hinten – vorn, kPa/PSI/bar	103/15/1
Schwenkräder vorn, Zoll	11 x 6-5
Hinterräder, Grasreifen, Zoll	18 x 8,5-8
Schwimmrollen	1, einstellbar
Getriebe	
Getriebe	Hydrostatische Hinterachse
Lenkhebel	Doppelhebel mit Schaumstoffgriff
Höchstgeschwindigkeit vorwärts, mph/km/h	6,5/10,5
Höchstgeschwindigkeit rückwärts, mph/km/h	3,25/5,23
Bremsen	Mechanische Handbremse
Elektrisches System	
Typ	12 V
Akku	28 A
Zündkerze	NGK BPR4ES
Elektrodenabstand, Zoll/mm	0,030/0,76
Anzugsmoment Zündkerze, lb-ft/Nm	16/22
Geräuschemissionen ²⁶	
Schalleistungspegel, gemessen dB(A)	100
Garantierte Schalleistung dB (A)	100
Vibrationspegel ²⁷	
Vibrationspegel am Lenkrad, m/s ²	1,30
Vibrationspegel am Sitz, m/s ²	0,53

²⁶ Umweltbelastende Geräuschemissionen, gemessen als Schalleistung (L_{WA}) gemäß EG-Richtlinie 2000/14/EG. Der aufgezeichnete Schalleistungspegel für das Gerät wurde unter Verwendung der originalen Schneidausrüstung, die den höchsten Pegel ergibt, gemessen. Der Unterschied zwischen garantiertem und gemessenem Schalleistungspegel besteht darin, dass beim garantierten Schalleistungspegel auch eine Streuung im Messergebnis und Variationen zwischen verschiedenen Geräten desselben Modells gemäß der Richtlinie 2000/14/EG berücksichtigt werden.

²⁷ Die für den Vibrationspegel angegebenen Werte haben eine typische statistische Ausbreitung (Standardabweichung) von 1 m/s² (Lenkrad) und 0,8 m/s² (Sitz).

Batterieladezeiten

STD-Batterie	Ladestatus	Ungefähre Ladezeit * bis zur vollen Ladung bei 80° F / 26° C ²⁸			
		Maximale Rate bei:			
		50 A	30 A	20 A	10 A
12,6 V	100 %	Vollständig aufgeladen			
12,4 V	75 %	20 min	35 min	48 min	90 min
12,2 V	50 %	45 min	75 min	95 min	180 min
12,0 V	25 %	65 min	115 min	145 min	280 min
11,8 V	0 %	85 min	150 min	195 min	370 min

Service

Service

Führen Sie eine jährliche Überprüfung bei einem autorisierten Service Center durch, um sicherzustellen, dass das Gerät sicher betrieben werden kann und in der Hochsaison in optimalem Zustand ist. Der beste Zeitpunkt für eine Wartung oder Überholung des Geräts ist die Nebensaison.

Geben Sie bei der Ersatzteilbestellung das Anschaffungsjahr sowie Modell, Typ und Seriennummer an.

Verwenden Sie stets Originalersatzteile.

²⁸ Die Batterieladezeit kann aufgrund von Batteriekapazität, Zustand, Alter, Temperatur und Effizienz des Ladegeräts unterschiedlich sein.

EU Declaration of Conformity

Wir, Husqvarna AB, SE 561 82 Huskvarna,
SCHWEDEN, erklären in alleiniger Verantwortung,
dass das beschriebene Gerät:

Beschreibung	Mit Verbrennungsmotor betriebener Aufsitzrasenmäher, Bediener sitzend
Marke	Husqvarna
Plattform/Typ/Modell	Z242F
Charge	Seriennummer ab 2023

die folgenden EU-Richtlinien und -Verordnungen
erfüllt:

Richtlinie/Verordnung	Beschreibung
2006/42/EG	„über Maschinen“
2011/65/EU	„Beschränkung der Verwendung bestimmter gefährlicher Stoffe“
2014/30/EU	„über elektromagnetische Verträglichkeit“
2000/14/EG, 2005/88/EG	„über umweltbelastende Geräuschemissionen“

Harmonisierte Normen und/oder technische
Spezifikationen gelten wie folgt: EN ISO
12100:2010, EN ISO 14982:2009, EN ISO
5395-1:2013/A1:2018, EN ISO 5395-3:2013/
A1:2017/A2:2018, EN ISO 3744:2010, EN ISO
11094:1991, EN 1032:2009, EN IEC 63000:2018.

Die im Abschnitt „Technische Daten“ in dieser
Bedienungsanleitung und in der signierten EU-
Konformitätserklärung angegebenen Schallwerte
entsprechen der EU-Richtlinie 2000/14/EG,
Anhang VI.

Der gelieferte mit Verbrennungsmotor betriebene
Aufsitzrasenmäher, Bediener sitzend entspricht dem
Geräteexemplar, das die Prüfung durchlaufen hat.

Im Auftrag von Husqvarna AB, SE 561 82
Huskvarna, SCHWEDEN, Huskvarna, 2023-07-26



Claes Losdal

Verantwortlich für die technische Dokumentation



Schaltpläne

Schaltplan

(Abb. 3)

Contenido

Introducción.....	58	Datos técnicos.....	79
Seguridad.....	60	Servicio técnico.....	81
Funcionamiento.....	66	Declaración de conformidad de la UE.....	82
Mantenimiento.....	69	Esquemas.....	82
Resolución de problemas.....	75	Apéndice	158
Transporte, almacenamiento y eliminación.....	77		

Introducción

Inspección previa a la entrega y números de producto

Se ha realizado una inspección previa a la entrega de este producto. Asegúrese de que recibe una

copia firmada del documento de inspección previa a la entrega de su distribuidor.

Información de contacto del taller de servicio:	
Este manual de usuario pertenece a un producto con número de producto/de serie:	
/	
Motor:	
Transmisión:	

Los números de productos se encuentra en la placa de características. Consulte *Descripción del producto en la página 58* para conocer la ubicación de la placa de características.

Descripción del producto

Este producto es un cortacésped con asiento. Las palancas de control permiten al usuario dirigir la máquina y ajustar su velocidad. Un contador de

horas muestra cuántas horas ha estado en uso la máquina.

Uso previsto

El producto se ha diseñado para cortar césped únicamente en espacios abiertos con suelo nivelado. No utilice el producto para otras tareas.

Descripción del producto

(Fig. 1)

1. Palancas de control
2. Freno de estacionamiento
3. Mando de alineación
4. Palanca de elevación del equipo
5. Fusibles
6. Acoplamiento de derivación
7. Válvula de cierre de combustible
8. Depósito de combustible
9. Control del estrangulador
10. Acelerador
11. Horómetro
12. Interruptor de encendido
13. Botón de la TDF
14. Placa de identificación

Mandos de conducción

La dirección del producto se controla mediante las 2 palancas de control. Consulte la sección *Descripción del producto en la página 58*. Las palancas de control se pueden mover hacia adelante y hacia atrás desde la posición neutra. Consulte la sección *Manejo del producto en la página 68*.

Control de presencia del usuario (OPC)

El OPC se activa cuando el operario se levanta del asiento. El motor y la motricidad de las cuchillas se detienen si las cuchillas están activadas o si el freno de estacionamiento no está aplicado. Consulte la sección *Condiciones de funcionamiento en la página 63*.

Llave de encendido

La llave de encendido tiene 4 posiciones:

- Posición de arranque (A)
- Posición de marcha (B)
- Posición de faro (C)
- Posición de parada (D)

(Fig. 35)

Faro

(Fig. 35)

- Gire la llave de encendido a la posición de faro (C) para poner en marcha la máquina con los faros encendidos.
- Gire la llave de encendido a la posición de marcha (B) para poner en marcha la máquina con los faros apagados.

Acelerador

El control del acelerador ajusta la velocidad del motor y de las cuchillas si estas están acopladas. El control del acelerador tiene 2 posiciones finales: régimen de ralentí y aceleración máxima. (Fig. 36)

- Régimen de ralentí (A): disminuye el régimen del motor.
- Aceleración máxima (B): aumenta el régimen del motor.



PRECAUCIÓN: No accione el motor al ralentí (A) durante más tiempo del necesario. Si lo acciona al ralentí durante demasiado tiempo, se puede acortar la vida útil de las bujías.

Control del estrangulador

El control del estrangulador se utiliza para arrancar en frío, con lo que se suministra más combustible al motor. Tire hacia arriba del control del estrangulador cuando vaya a arrancar el motor en frío.

Consulte *Descripción del producto en la página 58* para conocer la posición del control del estrangulador.

Botón de la TDF (toma de fuerza)

El botón de la TDF acopla y desacopla el embrague de la TDF y el equipo de corte u otros equipos conectados a este. Se deben cumplir las condiciones de arranque correctas para poder acoplar la transmisión de las cuchillas. Consulte la sección *Condiciones de funcionamiento en la página 63* para conocer las condiciones de arranque correctas.

- Tire del botón de la TDF para acoplar la transmisión de las cuchillas u otros equipos.

(Fig. 37)

- Presione el botón de la TDF para desacoplar la transmisión de las cuchillas u otros equipos.

(Fig. 38)

Válvula de cierre de combustible

Consulte *Descripción del producto en la página 58* para conocer la ubicación de la válvula de cierre de combustible.

La válvula de cierre de combustible se cierra cuando la lengüeta del mando está perpendicular al conducto de combustible.

Fusibles

Los fusibles están ubicados en la caja de fusibles. La caja de fusibles se encuentra debajo del asiento. Incline el asiento hacia adelante para acceder a la caja de fusibles. Consulte la etiqueta de la caja de fusibles para identificar los diferentes fusibles.

Contador de horas

La máquina dispone de un contador de horas que muestra las horas de funcionamiento de las cuchillas. Consulte *Descripción del producto en la página 58* para conocer la posición del contador de horas.

(Fig. 39)

Cada 50 horas, se mostrará un símbolo de nivel de aceite durante 2 horas. Consulte la sección *Comprobación del nivel de aceite del motor en la página 74*.

Símbolos que aparecen en el producto

(Fig. 4) **ADVERTENCIA:** Este producto puede ser peligroso y ocasionar daños graves o mortales tanto al usuario como a cualquier otra persona. Tenga cuidado y utilice el producto correctamente.

(Fig. 5) Utilice gafas protectoras.

(Fig. 6) Freno de estacionamiento.

(Fig. 7) Régimen del motor: rápido.

(Fig. 8) Lento.

(Fig. 9) Control del estrangulador.

(Fig. 10) Combustible.

(Fig. 11) Utilice guantes protectores.

(Fig. 12) Pare el motor antes de cualquier tarea de mantenimiento.

- (Fig. 13) No use la máquina sin deflector o recogedor de césped.
- (Fig. 14) Utilice siempre una protección de oídos homologada.
- (Fig. 15) No ponga el pie aquí.
- (Fig. 16) Punto muerto.
- (Fig. 17) Marcha atrás.
- (Fig. 18) Lea atentamente el manual de usuario y asegúrese de que entiende las instrucciones antes de utilizar el producto.
- (Fig. 19) Mantenga una distancia de seguridad con respecto a la máquina.
- (Fig. 20) No utilice la máquina en pendientes de más de 10°.
- (Fig. 21) No lleve nunca pasajeros.
- (Fig. 22) Tenga cuidado con los objetos expulsados o rebotados.
- (Fig. 23) Mantenga alejados las manos y los pies.
- (Fig. 24) Mantenga las manos alejadas de las piezas giratorias.
- (Fig. 25) Cuando conduzca la máquina hacia delante, preste atención a las personas y los animales.
- (Fig. 26) Cuando conduzca la máquina marcha atrás, preste atención a las personas y los animales.
- (Fig. 27) Altura de corte baja.
- (Fig. 28) Altura de corte alta.
- (Fig. 29) Nivel de potencia acústica.

- (Fig. 30) El producto cumple con las directivas CE vigentes.
- (Fig. 31) Este producto cumple con las directivas del Reino Unido vigentes.
- (Fig. 32) Manténgase alejado del equipo de descarga.
- (Fig. 33) Advertencia: El ácido de la batería es corrosivo, explosivo e inflamable.
- (Fig. 34) Mantenga todas las partes del cuerpo alejadas de las piezas giratorias.
- aaaaassxxxx**
- La placa de características indica el número de serie. **aaaa** es el año de producción **yss** es la semana de producción.

Nota: Los demás símbolos/etiquetas que aparecen en el producto corresponden a requisitos de homologación específicos de algunas zonas comerciales.

Daños en el producto

No nos hacemos responsables de los daños que pueda sufrir el producto si:

- El producto se ha reparado incorrectamente.
- El producto se ha reparado con piezas que no eran del fabricante o no autorizadas por el fabricante.
- El producto tiene un accesorio que no es del fabricante o no está autorizado por este.
- El producto no se ha reparado en un centro de servicio autorizado o por un organismo homologado.

Emisiones Euro V



ADVERTENCIA: La manipulación del motor anula la homologación de la UE de este producto.

Seguridad

Definiciones de seguridad

Las advertencias, precauciones y notas se utilizan para destacar información especialmente importante del manual.



ADVERTENCIA: Indica un riesgo de lesiones o incluso de muerte del usuario o de las personas cercanas si

no se respetan las instrucciones del manual.



PRECAUCIÓN: Indica un riesgo de daños en el producto, otros materiales o el área adyacente si no se respetan las instrucciones del manual.

Nota: Se usa para proporcionar más información necesaria en una situación determinada.

Instrucciones generales de seguridad



ADVERTENCIA: Lea las siguientes instrucciones de advertencia antes de utilizar la máquina.



ADVERTENCIA: No atender a estas prácticas de funcionamiento seguro puede provocar lesiones graves al usuario y a otras personas. El propietario debe entender estas instrucciones y no debe permitir que utilicen el cortacésped personas sin autorización y conocimiento de dichas instrucciones. Toda persona que utilice el cortacésped debe estar en pleno uso de sus facultades mentales y físicas y no debe encontrarse bajo la influencia de ninguna sustancia psicoactiva.



ADVERTENCIA: Este producto puede amputar las manos y los pies, además de lanzar objetos al aire. Si no se cumplen las instrucciones de seguridad siguientes existe el riesgo de sufrir heridas graves o muerte.

- Lea, comprenda y siga las instrucciones y advertencias de este documento, del manual de usuario y de la máquina, el motor y los accesorios.
- Únicamente deje que utilicen la máquina usuarios responsables que tengan capacidad física para hacerlo y que estén formados y familiarizados con las instrucciones.
- Asegúrese de informar a alguien de que va a utilizar el producto por si se produjera una lesión o un accidente.
- No transporte pasajeros y mantenga alejadas a las personas que se encuentren en las inmediaciones.
- No utilice el producto bajo los efectos del alcohol o las drogas.
- Siga las recomendaciones del fabricante en cuanto a los pesos de las ruedas o los contrapesos.
- Aprenda a utilizar el producto y sus controles de forma segura, y aprenda a detener el producto con rapidez.
- Aprenda a reconocer las etiquetas de seguridad.
- Mantenga el producto limpio para asegurarse de que puede leer claramente los símbolos y las pegatinas.

- Tenga en cuenta que el usuario será el responsable de los accidentes que involucren a otras personas o a su propiedad.
- Utilice el producto únicamente con la luz del día o en áreas con buena iluminación. Mantenga el producto a una distancia segura respecto a orificios u otras irregularidades del suelo. Tenga cuidado con otros posibles riesgos.
- No deje que los niños u otras personas no autorizadas utilicen el producto ni realicen su mantenimiento. La legislación local podría establecer un límite de edad para el operario.
- Asegúrese de que no hay nadie en las proximidades del producto cuando arranque el motor, accione la transmisión o comience a desplazar el producto.
- Preste atención al tráfico cuando utilice la máquina cerca de una carretera o se desplace por una.
- No utilice el producto si está cansado, si ha ingerido alcohol o drogas, o si toma medicamentos o cualquier otra sustancia que puedan afectarle la vista, su capacidad de discernimiento o el control del cuerpo.
- Estacione siempre el producto en una superficie nivelada con el motor apagado.
- No modifique el producto.
- No utilice el producto si sospecha que alguien ha podido modificarlo.

Instrucciones de seguridad relativas a los niños



ADVERTENCIA: Este producto puede causar lesiones graves o incluso mortales a los niños. Lea las siguientes instrucciones de advertencia antes de utilizar el producto. Mantenga a los niños apartados.

- Se pueden producir accidentes trágicos si el operador no se mantiene alerta ante la presencia de niños. El producto y la actividad de cortar el césped suelen atraer a los niños. Nunca dé por sentado que los niños permanecerán en el lugar donde los vio por última vez.
- Mantenga a los niños fuera de la zona de corte y bajo la supervisión de un adulto responsable que no sea el usuario del producto.
- Preste atención y detenga el producto inmediatamente si un niño entra en la zona de trabajo. Tenga mucho cuidado cuando se acerque a esquinas, arbustos, árboles u otros objetos que podrían bloquear su buena visibilidad.
- Extreme la precaución al acercarse a esquinas con poca visibilidad, arbustos, árboles u otros objetos que puedan ocultar a un niño.
- Antes de desplazarse con el producto marcha atrás, mire hacia atrás y hacia abajo para asegurarse de que no hay niños pequeños. No

deje de mirar mientras dure la maniobra en marcha atrás.

- No deje que los niños manejen el producto.
- La Asociación Americana de Pediatría recomienda una edad mínima de 16 años para poder utilizar un cortacésped con asiento.
- No transporte nunca niños, ni siquiera con las cuchillas apagadas. Los niños podrían caerse y sufrir lesiones graves o interferir en el funcionamiento seguro de la máquina. Puede que los niños que se hayan montado en la máquina en algún momento aparezcan de repente en la zona de corte para volver a montarse y corren el riesgo de ser atropellados o empujados por el producto.

Instrucciones de seguridad para el funcionamiento



ADVERTENCIA: Lea las siguientes instrucciones de advertencia antes de utilizar el producto.



ADVERTENCIA: No toque el motor ni el sistema de escape durante o directamente después del uso. El motor y el sistema de escape pueden calentarse mucho durante el funcionamiento. Riesgo de quemaduras, incendio y daños en la propiedad o las zonas adyacentes. Al utilizar el producto, alejese de los arbustos y otros objetos.

- El motor debe ponerse en marcha únicamente en zonas con una ventilación adecuada. Los gases de escape contienen monóxido de carbono, una sustancia tóxica mortal.
- Use la máquina únicamente a la luz del día o con buena iluminación artificial.
- Limpie la zona de objetos tales como piedras, juguetes, cables, etc. que se podrían quedar atrapados en las cuchillas y ser lanzados.
- Evite hoyos, surcos, baches, piedras y otros peligros ocultos. Los terrenos irregulares pueden hacer que la máquina vuelque o hacer que el usuario pierda el equilibrio o la estabilidad.
- No ponga las manos ni los pies cerca de las piezas giratorias ni debajo de la máquina. Manténgase alejado en todo momento de la abertura de descarga.
- No utilice el producto si el recogedor de césped, la protección de descarga u otros dispositivos de seguridad no están instalados o no funcionan correctamente.
- Nunca dirija la descarga de material hacia lugares donde haya personas. No descargue el material contra muros ni obstáculos. El material podría rebotar hacia el operador. Detenga las cuchillas cuando se desplace por superficies de gravilla.

- Nunca deje una máquina en marcha sin supervisión. Estacionela siempre en un terreno nivelado, desconecte el accesorio, active el freno de estacionamiento y pare el motor.
- No corte el césped desplazándose en marcha atrás a menos que sea absolutamente necesario. Mire siempre debajo y hacia atrás antes y durante el retroceso.
- Reduzca la velocidad antes de girar.
- Reduzca la velocidad antes de doblar una esquina.
- Las estadísticas ponen de manifiesto que los usuarios de 60 o más años tienen más probabilidades de resultar heridos al utilizar cortacéspedes con asiento. Estos usuarios deben valorar su capacidad para utilizar el cortacésped de forma suficientemente segura como para evitar daños a sí mismos o a terceros.

Instrucciones de seguridad para el funcionamiento en pendientes



ADVERTENCIA: Lea las siguientes instrucciones de advertencia antes de utilizar el producto.

Las pendientes son un factor importante en lo que a los accidentes respecta. Es necesario extremar las precauciones al trabajar en pendientes.

- En pendientes, desplácese en el sentido recomendado por el fabricante. Proceda con precaución al trabajar en las inmediaciones de caídas de nivel.
- Evite cortar el césped cuando esté mojado. Los neumáticos pueden perder tracción.
- No utilice la máquina en ninguna situación en la que la tracción, la dirección o la estabilidad puedan verse comprometidas. Los neumáticos podrían patinar incluso cuando las ruedas estén paradas.
- Cuando baje por pendientes, mantenga la máquina con una marcha puesta. No deje caer la máquina cuesta abajo en punto muerto.
- Evite arrancar y detenerse en las pendientes. Evite los cambios súbitos de velocidad o dirección. Gire de manera lenta y gradual.
- Si los neumáticos pierden tracción, desacople las cuchillas y baje la pendiente despacio y en línea recta.
- Proceda con especial precaución cuando utilice la máquina con un recogedor de césped u otros accesorios. Estos pueden afectar a la estabilidad de la máquina.
- Cortar el césped en pendientes aumenta el riesgo de perder el control del producto y que este vuelque, lo que puede provocar lesiones graves o la muerte. Es necesario cortar el césped con cuidado en todas las pendientes. Si no puede dar marcha atrás en una pendiente

o si no se siente seguro en ella, no utilice la máquina.

- Quite piedras, ramas y otros obstáculos.
- Corte la hierba de arriba abajo y no de lado a lado en pendientes.
- No utilice el producto en pendientes de más de 10°.
- En pendientes, desplácese con suavidad y lentamente.
- Tenga cuidado, no se mueva a través de surcos, agujeros y baches, ya que existe un alto riesgo de que el producto se vuelque sobre una superficie que no es plana. El césped crecido puede esconder obstáculos.
- No corte el césped cerca de bordes, zanjas o terraplenes. Manténgase a una distancia equivalente al menos a la anchura de la máquina de estos peligros. El producto puede volcar repentinamente si alguna de las ruedas pasa por el borde de una fuerte pendiente o una zanja, o si falta un trozo de bordillo.

Equipo de protección personal



ADVERTENCIA: Lea las siguientes instrucciones de advertencia antes de utilizar el producto.

- Para trabajar con el producto debe utilizar un equipo de protección personal homologado. El equipo de protección personal no elimina completamente el riesgo de lesiones, pero reduce la gravedad de las lesiones en caso de accidente. Deje que el distribuidor le ayude a seleccionar el equipo adecuado.
- Se debe utilizar siempre protección auditiva homologada. La exposición prolongada al ruido puede causar daños crónicos en el oído.
- Utilice siempre gafas de seguridad o protección ocular cuando use el producto o realice tareas de mantenimiento o reparación.
- Lleve siempre calzado de seguridad o botas de protección. Se recomienda llevar punteras de acero. No utilice el producto descalzo.

(Fig. 40)

- Utilice guantes cuando sea necesario, por ejemplo, para el montaje, inspección o limpieza del equipo de corte.
- No lleve ropa suelta, joyas u otros objetos que puedan quedar atrapados en las piezas móviles.
- No lleve pantalones cortos mientras utiliza el producto.
- Mantenga el equipo de primeros auxilios y el extintor de incendios cerca.

Dispositivos de seguridad en el producto



ADVERTENCIA: Lea las siguientes instrucciones de advertencia antes de utilizar el producto.

- No utilice ningún producto con dispositivos de seguridad dañados o que no funcionen correctamente. Realice una comprobación de los dispositivos de seguridad con frecuencia. Si los dispositivos de seguridad están dañados, póngase en contacto con su taller de servicio de Husqvarna.
- No realice ninguna modificación de los dispositivos de seguridad. No utilice el producto si las placas protectoras, las cubiertas de protección, los interruptores de seguridad u otros dispositivos de protección no están instalados o están dañados.

Comprobación de la llave de contacto

- Arranque y detenga el motor para comprobar la llave de contacto. Consulte *Arranque del motor en la página 67* y *Para parar el motor en la página 68*.
- Verifique que el motor arranque al girar la llave de contacto a la posición de arranque.
- Verifique que el motor se detiene inmediatamente al girar la llave de contacto a la posición de parada.

Condiciones de funcionamiento

Para arrancar el motor, se deben dar las siguientes condiciones:

- Las palancas de control están en posición neutra.
- El freno de estacionamiento está accionado.
- La transmisión de las cuchillas está desacoplada.
- El control de presencia del usuario (OPC) está pulsado.

El motor se debe detener en las siguientes situaciones:

- El freno de estacionamiento no está accionado y el operador se levanta del asiento.
- La transmisión de las cuchillas se acopla y el usuario se levanta del asiento.

Intente poner en marcha el motor incumpliendo una de las condiciones. Inténtelo de nuevo en el otro supuesto. Realice esta prueba a diario.

Freno de estacionamiento



ADVERTENCIA: Si el freno de estacionamiento no funciona, el producto puede comenzar a moverse y provocar daños o lesiones. Asegúrese de que el freno de estacionamiento se examina y ajusta con frecuencia.

Consulte la sección *Comprobación del freno de estacionamiento en la página 71*.



ADVERTENCIA: No utilice el producto si el silenciador no está instalado o está dañado. Si el silenciador no está instalado o está dañado, aumentará el nivel de ruido y el riesgo de incendio.

El silenciador mantiene al mínimo los niveles de ruido y aparta los gases de escape del operador.

Examine el silenciador con frecuencia para asegurarse de que está montado correctamente y que no está dañado.



ADVERTENCIA: El silenciador se calienta mucho durante y después de su uso, y cuando el motor funciona a ralentí. Tenga cuidado cerca de materiales inflamables o gases para evitar incendios.

Comprobación del silenciador

- Examine el silenciador con frecuencia para asegurarse de que está montado correctamente y que no está dañado.

Apagachispas

Esta máquina tiene un motor de combustión interna. No utilice la máquina cerca de vegetación sin un apagachispas homologado según la legislación local o nacional. En los estados federales, se aplicarán las leyes federales.

Puede adquirir un apagachispas para el silenciador a través de su distribuidor autorizado de Husqvarna.

Tapas protectoras

Si el producto no dispone de tapas protectoras o estas están dañadas, aumenta el riesgo de lesiones por piezas móviles y superficies calientes. Compruebe las tapas protectoras antes de poner en marcha el producto. Asegúrese de que las tapas protectoras están montadas correctamente y no tienen grietas u otros daños. Sustituya las tapas dañadas.

Seguridad en el uso del combustible



ADVERTENCIA: Lea las siguientes instrucciones de advertencia antes de utilizar el producto.



ADVERTENCIA: Tenga cuidado con el combustible. Es muy inflamable y puede causar lesiones y daños a la propiedad.

- Si fuma, apague el cigarrillo, el puro, la pipa o cualquier otro elemento que pueda provocar fuego.
- Utilice únicamente recipientes de combustible homologados.
- No retire el tapón de combustible ni reposte con el motor en marcha o a altas temperaturas.
- No reposte en interiores ni en espacios cerrados.
- Después de repostar, vuelva a colocar el tapón de la gasolina y apriételo bien.
- No almacene la máquina ni ningún recipiente de combustible ni repostaje en lugares donde haya una llama, una chispa o una llama piloto como, por ejemplo, la de un calentador de agua u otro aparato.
- Si derrama combustible sobre la ropa, cámbiese inmediatamente.
- Si se derrama el combustible, no intente arrancar el motor y evite cualquier condición que pudiera suponer peligro de ignición hasta que los vapores del combustible se hayan disipado.
- Para ayudar a prevenir incendios, mantenga la máquina libre de césped, hojas y otros restos. Limpie el aceite o el combustible derramado y retire cualquier residuo empapado en combustible. Espere a que la máquina se enfríe antes de guardarla.
- Tenga especial cuidado al manipular gasolina y otros combustibles. Son inflamables y los vapores son explosivos.
- La gasolina y los gases de la gasolina son tóxicos y muy inflamables. Tenga cuidado con la gasolina para evitar lesiones o incendios.
- Deje que el motor se enfríe antes de repostar combustible.
- No reposte combustible cerca de chispas o llamas descubiertas.
- Si hay fugas en el sistema de combustible, no arranque el motor hasta que se reparen las fugas.
- No reposte por encima del nivel de combustible recomendado. No llene demasiado el depósito de combustible ya que
- Guarde el producto y el combustible de manera que no haya riesgo de que las fugas de combustible o los gases puedan causar daños.

Seguridad en el transporte

- Utilice solo un vehículo de transporte homologado para el transporte del producto.
- El producto es pesado y puede causar lesiones por aplastamiento. Tenga cuidado al cargarlo o descargarlo de un vehículo o remolque.
- Las regulaciones locales o nacionales de los mercados podrían establecer límites en los transportes del producto.
- El operario del vehículo de transporte es el responsable de sujetar el producto de forma segura durante el transporte. Consulte *Transporte en la página 77*.

Transporte

- Utilice rampas anchas para cargar y descargar la máquina durante el transporte.

Seguridad durante el remolque

- Siga las recomendaciones del fabricante en cuanto a los límites de peso de los equipos remolcados y el remolque en pendientes.
- Utilice únicamente el equipo de remolque aprobado por Husqvarna.
- Use la barra de remolque para acoplar el equipo.
- Asegúrese de que no haya otras personas cerca del producto al remolcar equipo.
- No deje nunca que los niños u otras personas se suban al equipo remolcado.
- No remolque en pendientes o terreno irregular. El peso del equipo remolcado puede provocar una pérdida de tracción y control.

Seguridad de la batería



ADVERTENCIA: Una batería dañada puede explotar y causar lesiones. Si la batería está deformada o dañada, póngase en contacto con un taller de servicio Husqvarna homologado.



ADVERTENCIA: Lea las siguientes instrucciones de advertencia antes de utilizar el producto.

- Use gafas protectoras cuando esté cerca de las baterías.
- No lleve relojes, joyas ni otros objetos metálicos cerca de la batería.
- Mantenga la batería fuera del alcance de los niños.
- Cargue la batería en un espacio con buena ventilación.
- Cuando cargue la batería, mantenga los materiales inflamables a una holgura mínima de 1 m.
- Deseche las baterías sustituidas. Consulte *Eliminación en la página 78*.
- Pueden salir gases explosivos de la batería. No fume cerca de la batería. Mantenga la batería lejos de llamas abiertas y chispas.

Instrucciones de seguridad para el mantenimiento



ADVERTENCIA: Lea las siguientes instrucciones de advertencia antes de utilizar el producto.



ADVERTENCIA: El producto es pesado y puede ocasionar lesiones o daños a los equipos o el área adyacente. No realice tareas de mantenimiento en el motor ni el equipo de corte si no se cumplen estas condiciones:

- El motor está apagado.
- El producto está estacionado en una superficie nivelada.
- El freno de estacionamiento está accionado.
- La llave de encendido está en la posición de parada y se ha retirado.
- Las cuchillas están desactivadas.
- Todas las piezas giratorias se han detenido.
- Los cables de encendido se han extraído de las bujías.



ADVERTENCIA: Si sale líquido a presión, puede tener la fuerza suficiente como para penetrar en la piel y provocar daños graves. Si se le inyectase líquido en la piel, busque ayuda médica de inmediato. Mantenga alejados el cuerpo y las manos de orificios o boquillas por donde pudiera salir líquido a alta presión. En caso de fugas, acuda a un técnico cualificado para que revise inmediatamente la máquina.



ADVERTENCIA: Los gases de escape del motor contienen monóxido de carbono, que es un gas inodoro, tóxico y muy peligroso. No ponga en marcha el producto en espacios cerrados ni espacios que no estén bien ventilados.

- Mantenga el producto en perfectas condiciones de uso. Sustituya las piezas desgastadas o deterioradas.
Proceda con precaución durante el mantenimiento de las cuchillas. Envuelva las cuchillas o utilice guantes. Sustituya las cuchillas dañadas. No repare las cuchillas ni efectúe modificaciones en ellas.
Si están instalados, desconecte los cables de las bujías y el cable negativo de la batería antes de realizar cualquier reparación.
Para lograr un mejor rendimiento y seguridad, realice el mantenimiento del producto periódicamente según lo establecido en el programa de mantenimiento. Consulte la sección *Programa de mantenimiento en la página 69*.
- Las sacudidas eléctricas pueden causar lesiones. No toque los cables cuando el motor

está encendido. No realice una prueba de funcionamiento del sistema de encendido con los dedos.

- Deje que el producto se enfríe antes de llevar a cabo alguna tarea de mantenimiento cerca del motor.
- Las cuchillas están afiladas y pueden provocar cortes. Cuando trabaje en las cuchillas, use una protección contra el viento alrededor de las mismas o lleve guantes protectores.
- No encienda el motor si se ha desconectado la bujía o el cable de encendido.

- Asegúrese de que todas las tuercas y pernos están apretados correctamente y que el equipo está en buen estado.
- No cambie el ajuste de los reguladores. Si el régimen del motor es demasiado alto, los componentes del producto pueden dañarse. Consulte *Datos técnicos en la página 79* para conocer el régimen máximo permitido del motor.
- El producto está homologado con el equipo original proporcionado o recomendado por el fabricante.

Funcionamiento

Introducción



ADVERTENCIA: Antes de utilizar el producto, debe leer y entender el capítulo sobre seguridad.

Arranque de la máquina por primera vez



ADVERTENCIA: Antes de poner en marcha el producto por primera vez, lea este capítulo.

- Cuando utilice la máquina por primera vez, limite la velocidad del acelerador y de conducción.
- No mueva las palancas de control a la posición completamente hacia delante ni completamente hacia atrás durante la puesta en marcha inicial.
- Aprenda a manejar el movimiento de la máquina en una superficie dura, por ejemplo, hormigón o asfalto, antes de utilizarla en césped por primera vez.

Pasos por seguir antes de poner en funcionamiento el producto



ADVERTENCIA: Antes de utilizar el producto, debe leer y entender el capítulo sobre seguridad.



ADVERTENCIA: Antes de poner la máquina en marcha, debe asegurarse de que no haya piedras ni otros objetos en el área de trabajo que puedan salir despedidos por el giro de las cuchillas.

- Realice el mantenimiento diario. Consulte la sección *Programa de mantenimiento en la página 69*.
- Asegúrese de que hay una cantidad suficiente de combustible en el depósito.
- Ajuste la altura de corte. Consulte la sección *Para ajustar la altura de corte en la página 67*.

Repostaje de combustible



ADVERTENCIA: La gasolina es muy inflamable. Tenga cuidado y reposte combustible al aire libre; consulte *Seguridad en el uso del combustible en la página 64*.



ADVERTENCIA: El motor y el sistema de escape pueden calentarse mucho durante el funcionamiento. Riesgo de lesiones por quemaduras. Deje que el motor y el sistema de escape se enfríen antes de repostar la máquina con combustible.



ADVERTENCIA: No utilice el depósito de combustible como punto de apoyo.



PRECAUCIÓN: Un tipo de combustible incorrecto puede producir daños en el motor.

El motor funciona con gasolina con un octanaje mínimo de 91 RON (87 AKI), sin mezcla de aceite. Le recomendamos gasolina a base de alquilatos biodegradable.

- Revise el nivel de combustible antes de cada uso y reposte si es necesario.
- No llene el depósito de combustible por completo. Llene el depósito hasta la parte inferior del tubo de llenado.

Ajuste del asiento

1. Levante el asiento y retire la mariposa de ajuste (A).
2. Afloje la mariposa de ajuste del asiento (B). (Fig. 41)
3. Desplace el asiento a la posición correcta.

4. Alinee el orificio de la placa del asiento correspondiente a la mariposa de ajuste (A) con el orificio del asiento.
5. Instale y apriete la mariposa de ajuste del asiento (A).
6. Apriete la mariposa de ajuste del asiento (B).

Plegado del asiento

El asiento se puede plegar hacia delante para acceder a la batería y a los engranajes hidrostáticos.

1. Estacione el producto en un suelo nivelado.
2. Empuje el asiento hacia delante para inclinarlo.

Activación y desactivación del freno de estacionamiento

Esta máquina no dispone de ninguna palanca de freno de estacionamiento. El freno de estacionamiento está integrado en las dos palancas de control.

- Empuje las dos palancas de control hacia fuera del asiento al mismo tiempo para aplicar el freno de estacionamiento. Consulte *Descripción del producto en la página 58* para conocer la ubicación de las palancas de control.

Nota: La máquina debe estar parada al aplicar el freno de estacionamiento.

Nota: El motor se detendrá si no empuja las dos palancas de control hacia fuera del asiento al mismo tiempo.

- Tire de las dos palancas de control en dirección al asiento para desactivar el freno de estacionamiento.

Acoplamiento y desacoplamiento del sistema de transmisión



PRECAUCIÓN: Desacople o acople el sistema de transmisión únicamente cuando la máquina esté estacionada sobre un terreno nivelado.

Si es necesario la máquina manualmente con el motor apagado, el sistema de transmisión debe estar desacoplado. El sistema de transmisión se desacopla y acopla mediante los acoplamientos de derivación. Los acoplamientos de derivación se encuentran debajo de la protección trasera del motor.

Siga el procedimiento que se indica a continuación para desacoplar el sistema de transmisión.

1. Estacione el producto sobre un suelo nivelado y detenga el motor.



ADVERTENCIA: Deje que el motor se enfríe antes de desacoplar o acoplar el sistema de transmisión.

2. Retire la llave de contacto.
3. Coloque el equipo de corte en la posición de transporte.
4. Coloque las palancas de control en la posición neutra.
5. Tire de los acoplamientos de derivación hacia arriba y hacia fuera de las ranuras. (Fig. 42)
6. Para acoplar el sistema de transmisión, realice el mismo procedimiento en orden inverso.

Ajuste del equipo de corte en la posición de transporte o de corte

El equipo de corte debe estar en posición de transporte cuando se vaya a transportar el producto.

- Para colocar el producto en la posición de transporte, tire de la palanca de altura de corte hacia el asiento para colocarlo en la posición correspondiente a la altura de corte más alta.
- Para situar el producto en la posición de corte, ajuste la altura de corte correcta. Consulte la sección *Para ajustar la altura de corte en la página 67*.

Para ajustar la altura de corte

1. Mueva la palanca de altura de corte en la dirección del asiento. (Fig. 43)
2. Desplace la palanca hasta la muesca de altura de corte correcta.

Arranque del motor

1. Siéntese en el asiento.
2. Pulse el botón de la TDF para desacoplar la transmisión del equipo de corte. (Fig. 38)
3. Coloque el equipo de corte en la posición de transporte. Consulte *Ajuste del equipo de corte en la posición de transporte o de corte en la página 67*.
4. Accione los frenos de estacionamiento. Consulte *Activación y desactivación del freno de estacionamiento en la página 67*.
5. Mueva la palanca del acelerador (A) hasta la posición de aceleración media. (Fig. 44)
6. Si el motor está frío, tire del control del estrangulador (B) hacia arriba.
7. Presione y gire la llave de encendido (C) hasta la posición de arranque.
8. Una vez que arranque el motor, gire inmediatamente la llave de encendido a la posición de funcionamiento.

Nota: No deje la llave de contacto en la posición de arranque durante más de 5

segundos. Si el motor no arranca, espere 15 segundos antes de intentarlo de nuevo.

9. Si el motor está frío, empuje lentamente el control del estrangulador hacia abajo.
10. Deje el motor en marcha a una aceleración media durante 3-5 minutos antes de acelerar al máximo.
11. Empuje el acelerador a la posición de aceleración máxima.

Manejo del producto

1. Arranque el motor. Consulte la sección *Arranque del motor en la página 67*.
2. Desactive el freno de estacionamiento. Consulte la sección *Activación y desactivación del freno de estacionamiento en la página 67*.
3. Empuje con cuidado las dos palancas de control hacia delante. La máquina comenzará a avanzar. La velocidad de avance aumenta cuanto más se empujen hacia delante las dos palancas de control. (Fig. 45)
4. Tire con cuidado de las dos palancas de control hacia atrás. La máquina comenzará a dar marcha atrás. La velocidad de marcha atrás aumenta cuanto más se tire hacia atrás de las dos palancas de control.
5. Coloque las dos palancas de control en posición neutra para disminuir la velocidad y detener el producto.
6. Siga los pasos que se indican a continuación para girar a la izquierda o a la derecha cuando conduzca hacia delante.
 - a) Tire de la palanca de control izquierda hacia atrás en dirección a la posición neutra para que la máquina gire a la izquierda. Cuanto más tire de la palanca de control izquierda hacia atrás, más girará la máquina a la izquierda. (Fig. 46)
 - b) Tire de la palanca de control derecha hacia atrás en dirección a la posición neutra para que la máquina gire a la derecha. Cuanto más tire de la palanca de control derecha hacia atrás, más girará la máquina a la derecha. (Fig. 47)
7. Siga los pasos que se indican a continuación para realizar un giro cero.
 - a) Tire de las dos palancas de control hacia atrás en dirección a la posición neutra para disminuir la velocidad o detener la máquina.
 - b) Mueva una palanca de control ligeramente hacia adelante y la otra palanca de control ligeramente hacia atrás para hacer un giro cero.
8. Baje el equipo de corte a la posición de corte. Consulte la sección *Ajuste del equipo de corte en la posición de transporte o de corte en la página 67*.

9. Tire hacia arriba del botón de la TDF para acoplar la transmisión de las cuchillas.
10. Si es necesario ajustar la altura de corte durante el funcionamiento, consulte *Para ajustar la altura de corte en la página 67*.

Para parar el motor

1. Mueva las dos palancas de control a la posición neutra para detener la máquina.
2. Accione el freno de estacionamiento.
3. Pulse el botón de la TDF para desacoplar la transmisión de las cuchillas. (Fig. 38)
4. Coloque el equipo de corte en la posición de transporte.
5. Mueva el control del acelerador a la posición de aceleración mínima.
6. Deje el motor al ralentí durante un mínimo de un minuto hasta que el motor alcance la temperatura de funcionamiento normal.
7. Gire la llave de encendido hasta la posición de parada.
8. Quite la llave de encendido cuando se aleje del producto.

Para obtener un buen resultado de corte

- Para lograr un mejor rendimiento, realice el mantenimiento del producto periódicamente según lo establecido en el programa de mantenimiento. Consulte *Mantenimiento en la página 69*.
- No corte el césped si está húmedo. La hierba mojada produce malos resultados.
- Empiece con una altura de corte elevada y redúzcala gradualmente.
- El acelerador debe situarse al máximo para cortar la hierba.
- Haga funcionar el producto hacia delante a baja velocidad si la hierba es alta y gruesa.
- Corte el césped siguiendo un patrón irregular.
- Cuando corte grandes extensiones de terreno, mueva el producto a la derecha 1 o 2 vueltas alrededor del área de trabajo. De esta forma, la hierba no se expulsará sobre los arbustos, vallas o caminos. Tras realizar aproximadamente 2 vueltas alrededor del área de trabajo, corte en la dirección opuesta. (Fig. 48)
- Cuando utilice el kit triturador para mantillo, corte el césped con mayor frecuencia.
- Para obtener los mejores resultados, corte el césped con frecuencia.

Mantenimiento

Introducción



ADVERTENCIA: Antes de realizar cualquier trabajo de mantenimiento, debe leer y entender el capítulo sobre seguridad.

X = Estas instrucciones se indican en este manual de usuario.

O = Consulte las instrucciones en el manual del motor.

Programa de mantenimiento para el operador

Programa de mantenimiento

* = Estas instrucciones no se indican en este manual de usuario.

Mantenimiento	Mantenimiento diario		Realice el mantenimiento al menos una vez al año	Intervalo de mantenimiento en horas			
	Antes	Después		25	50	100	300
Compruebe el freno de estacionamiento.	X						
Compruebe el nivel de aceite del motor.	O						
Compruebe el sistema de seguridad.	X						
Asegúrese de que no haya fugas de combustible o aceite en la máquina.	*						
Asegúrese de que la máquina no presente daños.		*					
Asegúrese de que no haya piezas sueltas.		*					
Compruebe que el equipo de corte no presente daños.		*					
Compruebe el ajuste del equipo de corte.			X				X
Compruebe la presión de los neumáticos.	X			X	X	X	X
Revise las conexiones de la batería.			X	X	X	X	X
Compruebe el cable del acelerador.						O	
Compruebe las ruedecillas (cada 200 horas).			X			X	
Compruebe la holgura de la válvula del motor. ²⁹			*				*
Limpie la toma de aire del motor. ³⁰			O	O			

²⁹ Debe llevarlo a cabo un taller de servicio autorizado.

³⁰ En condiciones de polvo, la limpieza y la sustitución deben realizarse con mayor frecuencia.

Mantenimiento	Mantenimiento diario		Realice el mantenimiento al menos una vez al año	Intervalo de mantenimiento en horas			
	Antes	Después		25	50	100	300
Limpie la parte inferior del equipo de corte.		X					
Limpie alrededor del motor.		*					
Limpie alrededor de las correas y las poleas.		*			*	*	*
Compruebe las correas y las poleas.			X			X	
Limpie el prefiltro de espuma. ³¹			O	O			
Cambie el prefiltro de espuma. ³²³³			O				
Limpie el cartucho del filtro de papel. ³⁴			O	O			
Examine el silenciador y el apagachispas.			*		*	*	*
Arranque el motor y las cuchillas, y permanezca atento a cualquier sonido inusual.		*					
Afile las cuchillas. ³⁵			X	X			
Sustituya las cuchillas.			X	X			
Cambie las bujías.			O			O	
Cambie el aceite del motor. ³⁶			O	O			
Cambie el filtro de aceite del motor.			O			O	
Sustituya el filtro de combustible.			O			O	
Cambie el filtro de aire de papel. ³⁷			O			O	
Realice el mantenimiento de las 300 horas. ³⁸			*				*

³¹ En condiciones de polvo, la limpieza y la sustitución deben realizarse con mayor frecuencia.

³² En condiciones de polvo, la limpieza y la sustitución deben realizarse con mayor frecuencia.

³³ Si el producto está equipado con un prefiltro de espuma.

³⁴ En condiciones de polvo, la limpieza y la sustitución deben realizarse con mayor frecuencia.

³⁵ Debe llevarlo a cabo un taller de servicio autorizado.

³⁶ Cambie el aceite del motor después de las primeras 8-10 horas de funcionamiento. Si se utiliza con una carga pesada o a temperaturas elevadas, cambie el aceite del motor cada 50 horas.

³⁷ En condiciones de polvo, la limpieza y la sustitución deben realizarse con mayor frecuencia.

³⁸ Debe llevarlo a cabo un taller de servicio autorizado.

Limpieza del producto



PRECAUCIÓN: No utilice un equipo de limpieza de alta presión o de vapor. El agua puede introducirse en los cojinetes y las conexiones eléctricas, y provocar corrosión y daños al producto.

Limpié el producto inmediatamente después de usarlo.

- No limpie las superficies calientes, como el motor, el silenciador y el sistema de escape. Espere hasta que las superficies estén frías y, a continuación, retire la hierba o la suciedad.
- Antes de limpiar con agua, limpie con un cepillo. Retire la hierba cortada y la suciedad de los elementos siguientes y sus zonas adyacentes: transmisión, toma de aire de la transmisión y motor.
- Use agua corriente de una manguera para limpiar el producto. No utilice un equipo de limpieza a alta presión.
- No dirija el agua hacia los componentes eléctricos o los cojinetes. El detergente generalmente aumenta el daño.
- Utilice aire comprimido para limpiar la parte superior del equipo de corte.
- Utilice una manguera de agua para limpiar debajo del equipo de corte.
- Cuando el producto esté limpio, arranque el equipo de corte durante un breve periodo para vaciar el agua restante.

Limpieza del motor y el silenciador

Mantenga el motor y el silenciador limpios, sin restos de hierba ni suciedad. Los restos de hierba impregnados de combustible o aceite en el motor pueden aumentar el riesgo de incendio y el riesgo de que el motor se caliente en exceso. Deje que el motor se enfríe antes de limpiarlo. Limpie con agua y un cepillo.

Los restos de hierba alrededor del silenciador se secan rápidamente y son un riesgo de incendio. Utilice un cepillo o retire los restos de hierba con agua cuando el silenciador esté frío.

Limpieza de la batería

La corrosión y la suciedad en la batería y los bornes pueden hacer que disminuya la potencia de la batería.

1. Desmonte la batería. Consulte la sección *Extracción e instalación de la batería en la página 72*.
2. Rocíe la batería con agua y deje que se seque.



PRECAUCIÓN: No utilice un equipo de limpieza de alta presión o de vapor. El agua puede introducirse en los cojinetes y las conexiones

eléctricas, y provocar corrosión y daños al producto.

3. Limpie los bornes y los extremos de los cables de la batería con un cepillo de alambre.

Comprobación del freno de estacionamiento

1. Aparque el producto en una pendiente con una superficie firme.

Nota: No estacione el producto sobre una pendiente con hierba cuando realice una comprobación del freno de estacionamiento.

2. Accione el freno de estacionamiento.
3. Si el producto empieza a moverse con el freno de estacionamiento aplicado, acuda a un taller de servicio autorizado para ajustar el freno de estacionamiento.
4. Desactive el freno de estacionamiento.

Carga de la batería

- Cargue la batería si está demasiado baja como para arrancar el motor. Consulte *Tiempos de carga de la batería en la página 81* para conocer los tiempos de carga de la batería.
- Utilice un cargador de baterías estándar.



PRECAUCIÓN: No utilice un cargador de refuerzo o un amplificador de arranque. Un cargador de refuerzo o un amplificador de arranque provocarán daños en el sistema eléctrico del producto.

- Antes de poner en marcha el motor, desconecte siempre el cargador de batería.

Arranque de emergencia del motor

Si la batería está demasiado baja como para arrancar el motor, puede utilizar cables de puente para realizar un arranque de emergencia. Este producto tiene un sistema de 12 V con conexión a tierra negativa. El producto que se utilice para el arranque de emergencia debe tener también un sistema de 12 V con conexión a tierra negativa.

Conexión de los cables de puente



ADVERTENCIA: Existe riesgo de explosión debido a gases explosivos procedentes de la batería. No conecte el terminal negativo de una batería totalmente cargada al terminal negativo de una batería descargada, ni los coloque cerca.



PRECAUCIÓN: No utilice la batería del producto para arrancar otros vehículos.

1. Conecte un extremo del cable rojo al terminal de batería POSITIVO (+) de la batería descargada (A). (Fig. 49)
2. Conecte el otro extremo del cable rojo al terminal de batería POSITIVO (+) de la batería totalmente cargada (B).



ADVERTENCIA: No cortocircuite los extremos del cable rojo contra el chasis.

3. Conecte uno de los extremos del cable negro al terminal de batería NEGATIVO (-) de la batería totalmente cargada (C).
4. Conecte el otro extremo del cable negro a un punto de MASA DEL CHASIS (D), lejos del depósito de combustible y la batería.

Retirada de los cables de puente

Nota: Retire los cables de puente siguiendo una secuencia opuesta a la de conexión.

1. Quite el cable NEGRO del chasis.
2. Quite el cable NEGRO de la batería totalmente cargada.
3. Quite el cable ROJO de las 2 baterías.

Extracción e instalación de la batería

1. Incline el asiento hacia delante. Consulte *Plegado del asiento en la página 67*.
2. Retire el perno y la tuerca del soporte de la batería para extraerlo de la batería. (Fig. 50)
3. Use dos llaves para desconectar el cable negro de la batería del borne negativo (-) de la batería.
4. Use dos llaves para desconectar el cable rojo de la batería del borne positivo (+) de la batería.
5. Retire con cuidado la batería del producto.
6. Para el montaje, efectúe el mismo procedimiento en el orden inverso.

Ajuste de la velocidad de alineación

Si el producto no se mueve en línea recta hacia delante, se debe ajustar la velocidad de alineación.



ADVERTENCIA: Ajuste siempre la velocidad de alineación en un espacio abierto sin transeúntes.

1. Revise la presión de los neumáticos. Consulte *Presión de los neumáticos en la página 72*.

2. Gire los controles de alineación hacia fuera hasta que queden al ras de las tuercas. Consulte *Descripción del producto en la página 58* para conocer la ubicación de los controles de alineación.
3. Arranque el producto.
4. Mueva las palancas de control completamente hacia adelante y ponga la máquina en la posición de aceleración máxima.
5. Gire el mando de alineación del lado derecho gradualmente hasta que la máquina comience a moverse a la derecha.
6. Gire el mando de alineación del lado izquierdo gradualmente hasta que la máquina comience a moverse en línea recta.

Presión de los neumáticos

Asegúrese de tener la presión correcta en los 4 neumáticos. Consulte la sección *Datos técnicos en la página 79*.

Montaje y desmontaje de las ruedas delanteras

1. Quite la tuerca y el perno para quitar las ruedas delanteras de las horquillas. (Fig. 51)
2. Para el montaje, efectúe el mismo procedimiento en el orden inverso. Apriete la tuerca y el perno a 67,8 Nm / 50 ft/lb.

Ajuste de los rodillos antidesbroce

Los rodillos antidesbroce mantienen el equipo de corte en la posición correcta sobre el suelo para evitar el corte al ras en la mayoría de condiciones del terreno. Los rodillos antidesbroce se pueden ajustar en tres posiciones para diferentes longitudes de hierba:

- Posición superior: 38–64 mm (1,5–2,5 pulg.) de césped.
 - Posición central: 64–102 mm (2,5–4 pulg.) de césped.
 - Posición inferior: 102–127 mm (4–5 pulg.) de césped.
1. Estacione el producto sobre un suelo nivelado y detenga el motor.
 2. Retire la tuerca, el perno, el eje y el rodillo antidesbroce. (Fig. 52)
 3. Instale el rodillo antidesbroce en una de las tres posiciones.



PRECAUCIÓN: El equipo de corte puede dañarse si los rodillos antidesbroce se ajustan incorrectamente. Los rodillos antidesbroce deben estar a unos 6,4 mm (1/4 pulg.) del suelo.

Ajuste del paralelismo del equipo de corte

Este procedimiento ajusta el equipo de corte en una posición estándar.

1. Asegúrese de que la presión de los neumáticos sea la correcta. Consulte *Presión de los neumáticos en la página 72*.
2. Estacione el cortacésped en una superficie nivelada.
3. Coloque el equipo de corte en la posición de transporte.
4. Gire la punta de las cuchillas exteriores para alinearlas con el equipo de corte lateralmente. (Fig. 53)



ADVERTENCIA: Las cuchillas del equipo de corte están afiladas y pueden causar lesiones. Utilice guantes protectores.

5. Mida la distancia entre el suelo y la parte inferior de la punta de la cuchilla en el lado de descarga del equipo de corte. Anote la distancia.
6. Mida la distancia entre el suelo y la parte inferior de la punta de la cuchilla en el lado opuesto al lado de descarga. La distancia debe ser la misma que la del lado de descarga. Si es preciso realizar ajustes, gire las tuercas de ajuste de las articulaciones traseras hasta que ambas distancias sean iguales. Gire las tuercas hacia la derecha para aumentar la altura o hacia la izquierda para reducirla. (Fig. 54)
7. Gire las cuchillas para alinearlas longitudinalmente con el equipo de corte.
8. Si la punta delantera de la cuchilla no está 0,3175-1,27 mm (1/8-1/2 pulg.) más baja que la punta trasera, gire las tuercas del varillaje de la suspensión delantera. Gire las tuercas hacia la derecha para aumentar la altura o hacia la izquierda para reducirla. (Fig. 55)
9. Vuelva a medir las distancias para asegurarse de que el equipo de corte se haya ajustado correctamente.

Examinar las cuchillas



PRECAUCIÓN: Unas cuchillas dañadas o mal equilibradas pueden causar daños al producto. Sustituya las cuchillas dañadas. Deje que un taller de servicio homologado le ayude a afilar y equilibrar las cuchillas romas.

- Observe las cuchillas para ver si están dañadas y, si es necesario, afilarlas.

Sustitución de las cuchillas

1. Extraiga el tornillo de la cuchilla.

2. Monte la nueva cuchilla con el lado sin marcas orientado al equipo de corte.



ADVERTENCIA: Usar un tipo de cuchillas incorrecto puede causar que el equipo de corte arroje objetos y causar así lesiones graves. Utilice únicamente cuchillas homologadas.

3. Coloque el perno de la cuchilla. Apriete el perno a 60-81 Nm.

Extracción de la correa del equipo

Estacione el producto en una superficie nivelada y aplique el freno de estacionamiento antes de realizar esta tarea.

1. Coloque el equipo de corte en la posición más baja.
2. Retire las dos cubiertas de la correa.
3. Retire la suciedad o los restos de alrededor de las carcassas y de la superficie del equipo de corte.
4. Tome nota de la posición de la guía de la correa.
5. Afloje la tuerca que sujeta la guía de la correa. (Fig. 56)
6. Empuje el brazo de la polea tensora para reducir la tensión en la correa del equipo y retire con cuidado la correa de las poleas.
7. Extraiga la correa del embrague eléctrico del eje del motor.

Instalación de la correa del equipo

1. Enrolle la correa del equipo alrededor de la polea del embrague eléctrico situada en el eje del motor.
2. Coloque la correa del equipo alrededor de las poleas del equipo de corte.

Nota: Consulte la etiqueta de recorrido del equipo de corte cuando instale la correa.

3. Empuje el brazo de la polea tensora hasta que pueda colocar la correa alrededor de la polea tensora fija y sujétela ahí.
4. Coloque con cuidado la correa alrededor de la polea tensora fija y suelte lentamente el brazo de la polea tensora para que vuelva a su posición.
5. Asegúrese de que la colocación de la correa coincida con lo que se indica en la etiqueta de recorrido de la correa.
6. Asegúrese de que la correa no esté retorcida.
7. Coloque la guía de la correa en la posición correcta y apriete la tuerca.

Nota: Consulte la nota que tomó al retirar la guía de la correa.

8. Instale las dos cubiertas de la correa.

Comprobación del nivel de aceite del motor

1. Estacione el producto sobre un suelo nivelado y detenga el motor.
2. Tire del cojín del usuario para acceder al motor.
3. Afloje la varilla de nivel y extráigala.
4. Limpie el aceite de la varilla de nivel de aceite.
5. Vuelva a colocar la varilla de nivel en su orificio y apriétela.
6. Afloje y saque la varilla de nivel y lea el nivel de aceite.
7. El nivel de aceite debe estar entre las marcas que aparecen en la varilla de nivel. Si el nivel está cerca de la marca de añadir "ADD", llene de aceite hasta la marca de totalmente lleno "FULL". (Fig. 57)
8. Reponga el aceite a través del orificio de la varilla de nivel. Rellene el aceite lentamente.

Nota: Consulte *Datos técnicos en la página 79* para ver los tipos de aceite de motor recomendados por Husqvarna. No mezcle diferentes tipos de aceite.

9. Apriete la varilla de nivel a fondo antes de arrancar el motor.

Sustitución del aceite del motor

Si el motor está frío, arránquelo durante 1 o 2 minutos antes de drenar el aceite del motor. Esto calienta el aceite del motor y facilita el drenaje.



ADVERTENCIA: No deje el motor funcionando más de 1 o 2 minutos antes de drenar el aceite. El aceite del motor se calienta mucho y puede causar quemaduras graves. Deje que el motor se enfríe antes de vaciar el aceite del motor.



ADVERTENCIA: Si se derrama aceite del motor sobre el cuerpo, lávese con agua y jabón.

1. Estacione el producto sobre un suelo nivelado y detenga el motor.
2. Accione los frenos de estacionamiento. Consulte *Activación y desactivación del freno de estacionamiento en la página 67*.
3. Elimine toda la suciedad alrededor del tapón del depósito de aceite.
4. Quite el tapón del depósito de aceite y la varilla de nivel.
5. Instale el tubo de drenaje de aceite (A) en la válvula de drenaje de aceite del motor (B). (Fig. 58)

6. Coloque un recipiente debajo del motor para recoger el aceite.
7. Gire la válvula de drenaje de aceite hacia la izquierda para abrirla. Use una llave de 10 mm.
8. Una vez vaciado todo el aceite del motor, gire la válvula de drenaje hacia la derecha para cerrarla. Use una llave de 10 mm.
9. Utilice la llave de 10 mm para apretar con cuidado la válvula de drenaje de aceite a fin de cerrarla. No aplique demasiada fuerza.



PRECAUCIÓN: No aplique demasiada fuerza al apretar la válvula de drenaje de aceite.

10. Retire el tubo de drenaje de aceite de la válvula de drenaje de aceite.
11. Llene con aceite de motor nuevo y compruebe el nivel del mismo. Consulte *Comprobación del nivel de aceite del motor en la página 74*.
12. Coloque el tapón del depósito de aceite y la varilla de nivel.

Nota: Para desechar de forma segura el aceite de motor usado, consulte *Eliminación en la página 78*.

Lubricación, información general

- Retire la llave de contacto para evitar movimientos accidentales durante la lubricación.
- Limpie la zona antes de lubricar una pieza del producto.
- Utilice aceite cuando lubrique con una aceitadora.
- Si lubrica con grasa, utilice grasa para chasis o cojinetes de bolas que evite la corrosión. Limpie la grasa sobrante después de lubricar.
- Lubrique 2 veces a la semana si utiliza el producto a diario.
- No derrame lubricante sobre las correas de transmisión o las ranuras de las poleas de las correas. Si se derrama, limpie con alcohol. Si la fricción entre la correa de transmisión y la polea no es suficiente después de limpiar con alcohol, cambie la correa de transmisión.



PRECAUCIÓN: No utilice gasolina ni otros productos derivados del petróleo para limpiar las correas de transmisión.

Programa de lubricación

(Fig. 2)

Consulta	Lubricación	Intervalo			
		Todos los días	Cada 25 horas	Cada 50 horas	Cada 200 horas
A	Lubrique la boquilla de engrase del eje basculante con una pistola de engrase.		X		
B	Compruebe el nivel de aceite.	X			
C	Sustituya el filtro de aceite.				X

Utilice siempre grasa de buena calidad. Utilice siempre el aceite recomendado; consulte *Datos técnicos en la página 79*.

- Lubrique el cojinete de unión de las ruedas delanteras (B) con una pistola de engrase hasta que la grasa rebose.

Lubricación de las ruedas delanteras

- Engrase la boquilla (A) con una pistola de engrase hasta que salga grasa por la arandela superior. (Fig. 59)

Resolución de problemas

Diagrama de localización de fallos

Si no puede encontrar una solución a sus problemas en este manual de usuario, hable con su taller de servicio de Husqvarna.

Problema	Causas
El motor no arranca.	El accionamiento de las cuchillas está activado. Consulte <i>Botón de la TDF (toma de fuerza) en la página 59</i> .
	Las palancas de control no están bloqueadas en la posición exterior.
	La batería está demasiado débil. Consulte <i>Carga de la batería en la página 71</i> .
	Hay suciedad en el carburador o en la tubería de combustible.
	La válvula de cierre de combustible está cerrada o en una posición incorrecta.
	El filtro de combustible o el tubo de combustible están obstruidos.
	El sistema de encendido está dañado.
El motor de arranque no arranca el motor.	La batería está demasiado débil. Consulte <i>Carga de la batería en la página 71</i> .
	La conexión de los conectores de los cables de los terminales de la batería está en mal estado. Consulte <i>Limpieza de la batería en la página 71</i> .
	Un fusible está fundido. Consulte <i>Fusibles en la página 59</i> .
	El OPC no funciona correctamente. Consulte <i>Control de presencia del usuario (OPC) en la página 58</i> .

Problema	Causas
El motor no funciona correctamente.	El carburador no está bien ajustado.
	El filtro de combustible o el surtidor de combustible están obstruidos.
	La palanca del acelerador está en la posición de arranque en clima frío.
	La válvula de retención del tapón del depósito de combustible está obstruida.
	El depósito de combustible está prácticamente vacío.
	La bujía está dañada.
	La mezcla de combustible o el tipo de combustible son incorrectos.
	Hay agua en el combustible.
	El filtro de aire está obstruido.
Aparentemente el motor no tiene potencia.	El filtro de aire está obstruido.
	La bujía está dañada.
	El carburador no está bien ajustado.
	Hay aire en el sistema hidráulico.
Se producen vibraciones en el producto.	Las cuchillas están flojas. Consulte <i>Examinar las cuchillas en la página 73</i> .
	Una cuchilla o más no están equilibradas. Consulte <i>Examinar las cuchillas en la página 73</i> .
	El motor está suelto.
El motor se calienta demasiado.	El filtro de aire o las aletas de refrigeración están obstruidos.
	Se ha producido una sobrecarga en el motor.
	El caudal de aire alrededor del motor no es suficiente.
	El regulador de régimen del motor está dañado.
	El nivel de aceite es demasiado bajo.
	Hay suciedad en el tubo de combustible.
	La bujía está dañada.
La batería no se carga.	La conexión de los conectores de los cables de los terminales de la batería está en mal estado. Consulte <i>Limpieza de la batería en la página 71</i> .
	El cable de carga está desconectado.
El producto se mueve lentamente, lo hace a una velocidad irregular o no se mueve.	Los acoplamientos de derivación están acoplados.
	La correa de transmisión está floja o dañada.
	Hay aire en el sistema hidráulico.

Problema	Causas
La transmisión de las cuchillas no se acopla.	La correa de transmisión del equipo de corte está suelta.
	El contacto del acoplamiento electromagnético está suelto.
	La transmisión de la cuchilla está dañada o desconectada de los conectores de cable.
	Un fusible está fundido.
Existe una fuga de aceite en el transeje.	Las juntas, la carcasa o las juntas están dañadas.
	Hay aire en el sistema hidráulico.
El resultado del corte no es satisfactorio.	La presión de los neumáticos es distinta en el lado derecho e izquierdo. Consulte <i>Presión de los neumáticos en la página 72</i> .
	Las cuchillas están dañadas.
	La suspensión del equipo de corte no está nivelada.
	Las cuchillas están romas. Consulte <i>Examinar las cuchillas en la página 73</i> .
	El producto funciona a una velocidad demasiado alta hacia delante o marcha atrás. Consulte <i>Para obtener un buen resultado de corte en la página 68</i> .
	La hierba está alta. Consulte <i>Para obtener un buen resultado de corte en la página 68</i> .
	El equipo de corte presenta una obstrucción por hierba. Consulte <i>Limpiar el producto en la página 71</i> .

Transporte, almacenamiento y eliminación

Transporte

- El producto es pesado y puede causar lesiones por aplastamiento. Tenga cuidado al cargarlo o descargarlo de un vehículo o remolque.
- Cargue el producto en marcha atrás en rampas homologadas con un ángulo de funcionamiento máximo de 10°. No levante el producto.
- Utilice solo un remolque homologado para el transporte del producto.
- Asegúrese de que conoce las normas de tráfico locales antes de transportar el producto en un remolque o circular por carretera.
- Detenga el suministro de combustible del producto.
- Bloquee el producto con dispositivos homologados, como unas correas. Utilice los puntos de sujeción de la máquina. El freno de estacionamiento no es suficiente para bloquear la máquina durante el transporte.

Remolque del producto



ADVERTENCIA: Antes de remolcar la máquina, debe leer y entender el capítulo sobre seguridad. Consulte la sección *Seguridad durante el remolque en la página 65*.

- Tenga cuidado cuando vaya a remolcar la máquina.
- Ponga la máquina en marcha lentamente cuando vaya a remolcarla.
- La distancia de frenado aumenta al remolcar la máquina. Asegúrese de reducir la velocidad a tiempo.
- Para un funcionamiento seguro, realice giros amplios.
- No remolque cerca de fosos, aguas abiertas u otras zonas peligrosas.

Almacenamiento

Prepare el producto para guardarlo al final de la temporada, y si va almacenarlo durante más de 30 días. Si deja combustible en el depósito durante 30

días o más, las partículas pegajosas pueden atascar el carburador. Esto tendrá un efecto negativo en el funcionamiento del motor.

Para evitar la aparición de partículas pegajosas durante el almacenamiento, agregue un estabilizador. Si utiliza gasolina a base de alquilatos, no es necesario usar un estabilizador. Si utiliza gasolina estándar, no cambie a gasolina con alquilato. Esto puede provocar que las piezas de goma sensibles se vuelvan duras. Añada un estabilizador al depósito o recipiente donde se almacena el combustible. Utilice siempre las proporciones de mezcla especificadas por el fabricante. Añada el estabilizador y haga funcionar el motor durante un mínimo de 10 minutos hasta que el combustible fluya hacia el carburador.



ADVERTENCIA: No guarde el producto con combustible en el depósito en interiores o en lugares con una mala ventilación. Existe peligro de incendio si los vapores del combustible entran en contacto con llamas desnudas, chispas o luces piloto, por ejemplo, de calderas de calefacción, depósitos de agua caliente y secadoras de ropa.



ADVERTENCIA: Retire la hierba, las hojas y otros materiales inflamables del producto para disminuir el riesgo de incendio. Deje que el producto se enfríe antes de volver a colocarlo en su lugar de almacenamiento.

- Limpie el producto; consulte *Limpieza del producto en la página 71*.
- Retire los materiales no deseados del ventilador de refrigeración.
- Repare los daños en la pintura para evitar la corrosión.
- Examine el producto por si hubiera piezas dañadas o desgastadas, y apriete las tuercas y tornillos flojos.
- Desmunte la batería. Límpiela, cárguela y manténgala en un lugar fresco durante el almacenamiento.
- Cambie el aceite del motor y deseche el aceite usado.
- Vacíe el depósito de combustible. Arranque el motor y déjelo funcionar hasta que no haya restos de combustible en el carburador.

Nota: No vacíe el depósito de combustible ni el carburador si se ha añadido un estabilizador.

- Quite los tapones e introduzca aproximadamente una cucharada de aceite de motor en cada cilindro. Gire manualmente el eje del motor para distribuir el aceite y vuelva a colocar los tapones.
- Lubrique todas las boquillas de engrase, las juntas y los ejes.

- Guarde el producto en una zona limpia y seca, y cúbralo para mayor protección.

Eliminación

- Las sustancias químicas pueden ser peligrosas y no deben verterse al suelo. Deseche siempre los productos químicos en su centro de servicio o en una ubicación adecuada para su eliminación.
- Cuando el producto se desgaste, envíelo al distribuidor o a centro de reciclaje adecuado.
- El aceite, los filtros de aceite, el combustible y la batería pueden ser perjudiciales para el medio ambiente. Respete los requisitos de reciclaje locales y las normas aplicables.
- No deseche la batería como residuo doméstico.
- Envíe la batería a un taller de servicio Husqvarna o deséchela en una ubicación de residuos para las baterías agotadas.

Datos técnicos

Datos técnicos

	Z242F
Motor	
Marca/modelo	Kawasaki/FR651V
Potencia nominal del motor, CV/kW ³⁹	18,6/13,9
Cilindrada, cm ³	726
Régimen máximo del motor, rpm	2800 ± 100
Combustible, octanaje mínimo, sin plomo, etanol al 10 % como máximo y MTBE al 15 % como máximo	87
Volumen del depósito, galones/litros	3,5/13,3
Aceite	Clase SF, SG, SH, SJ o SL SAE40, SAE30, SAE20W-50, SAE10W-40, SAE10W-30, SAE5W-20
Volumen de aceite con filtro incluido, oz/l	70,4/2,1
Volumen de aceite sin filtro, oz/l	60,8/1,8
Sistema de lubricación	A presión con filtro de aceite
Sistema de refrigeración	Refrigeración por aire
Filtro de aire	Estándar
Alternador, V, A a 3600 rpm	12 V, 15 A a 3600 rpm
Motor de arranque	Arranque eléctrico de 12 V
Dimensiones	
Longitud, pulg./cm	75/191
Anchura, pulg./cm	41,5/105,4
Anchura con conducto de descarga arriba, pulg./cm	48/121,9
Anchura con conducto de descarga abajo, pulg./cm	56/142,24
Altura, mm	40/102
Peso con depósitos vacíos, lb/kg	560/254
Máx. pendiente, grados °	10
Anchura de corte, pulg./cm	42/107
Altura de corte, pulg./cm	1,5-4 / 3,8-10,2
Equipo de corte	
Estructura del equipo	Fabricada
Número de cuchillas	2

³⁹ La potencia nominal declarada por el fabricante del motor se corresponde con la potencia bruta media al régimen de revoluciones especificado para un motor típico del modelo correspondiente, medida utilizando las normas SAE relativas a la potencia bruta de los motores. Consulte las especificaciones del fabricante del motor.

	Z242F
Longitud de las cuchillas, pulg./cm	20,9/53,1
Acoplamiento de las cuchillas	Warner Mag-stop de 200 ft/lb (271,12 Nm)
Productividad, acres/h / m ² /h	2,2/8.903,08
Neumáticos	
Presión de los neumáticos, traseros y delanteros, kPa/PSI/bar	103/15/1
Ruedas delanteras orientables, pulg.	11 x 6-5
Neumáticos traseros, neumáticos para césped, pulg.	18 x 8.5-8
Rodillo antidesbroce	1 regulable
Transmisión	
Transmisión	Transejes hidrostáticos
Mando de conducción	Palancas duales, con agarre de goma
Velocidad máxima de avance, mph / km/h	6,5/10,5
Velocidad máxima marcha atrás, mph / km/h	3,25/5,23
Frenos	Freno de estacionamiento mecánico
Sistema eléctrico	
Tipo	12 V
Batería	28 A
Bujía	NGK BPR4ES
Distancia entre los electrodos, pulg./mm	0,030/0,76
Par de apriete de la bujía, lb-pie/Nm	16/22
Emisiones de ruido ⁴⁰	
Nivel de potencia acústica medida, dB(A)	100
Nivel de potencia acústica garantizada, dB(A)	100
Niveles de vibraciones ⁴¹	
Nivel de vibración en el volante, m/s ²	1,30
Nivel de vibración en el asiento, m/s ²	0,53

⁴⁰ Emisiones sonoras en el entorno medidas como potencia acústica (L_{WA}) según la directiva 2000/14/CE. El nivel referido de potencia sonora de la máquina se ha medido con el equipo de corte original que produce el nivel más elevado. La diferencia entre la potencia sonora garantizada y medida es que la potencia sonora garantizada también incluye la dispersión en el resultado de la medición y las variaciones entre diferentes máquinas del mismo modelo, según la directiva 2000/14/CE.

⁴¹ Los datos referidos del nivel de vibración poseen una dispersión estadística habitual (desviación típica) de 1 m/s² (volante) y 0,8 m/s² (asiento).

Tiempos de carga de la batería

Batería estándar	Estado de la carga	Tiempo de carga aproximado para carga completa a 26 °C (80 °F) ⁴²			
		Potencia máxima a:			
		50 A	30 A	20 A	10 A
12,6 V	100 %	Completamente cargada			
12,4 V	75 %	20 min.	35 min.	48 min.	90 min.
12,2 V	50 %	45 min.	75 min.	95 min.	180 min.
12,0 V	25 %	65 min.	115 min.	145 min.	280 min.
11,8 V	0 %	85 min.	150 min.	195 min.	370 min.

Servicio técnico

Servicio técnico

Haga una comprobación anual en un centro de servicio autorizado para asegurarse de que el producto funcione de manera segura y sin problemas durante la temporada alta. El mejor momento para realizar el mantenimiento o la revisión de este producto es la temporada baja.

Al enviar un pedido de piezas de repuesto, proporcione información sobre el año de compra, el modelo, el tipo y el n.º de serie.

Utilice siempre piezas de repuesto originales.

⁴² El tiempo de carga de la batería puede variar según la capacidad de la batería, su estado, su antigüedad, la temperatura y la eficacia del cargador.

Declaración de conformidad de la UE

Nosotros, Husqvarna AB, SE 561 82 Huskvarna, SUECIA, declaramos bajo nuestra exclusiva responsabilidad que el producto representado:

Descripción	Cortacésped con asiento de motor de combustión
Marca	Husqvarna
Plataforma/tipo/modelo	Z242F
Lote	Número de serie a partir del 2023 en adelante

Cumple las siguientes directivas y normas de la UE:

Directiva/Norma	Descripción
2006/42/CE	"relativa a las máquinas"
2011/65/UE	"restricciones a la utilización de determinadas sustancias peligrosas"
2014/30/UE	"relativa a la compatibilidad electromagnética"
2000/14/CE, 2005/88/CE	"relativa al ruido en exteriores"

Las normas armonizadas o especificaciones técnicas aplicadas son las siguientes: EN ISO 12100:2010, EN ISO 14982:2009, EN ISO 5395-1:2013/A1:2018, EN ISO 5395-3:2013/A1:2017/A2:2018, EN ISO 3744:2010, EN ISO 11094:1991, EN 1032:2009, EN IEC 63000:2018.

De acuerdo con la directiva 2000/14/CE, Anexo VI, los valores de sonido declarados se indican en el capítulo Datos técnicos de este manual y en la declaración de conformidad de la UE firmada.

El cortacésped con asiento de motor de combustión suministrado concuerda con el ejemplar que fue sometido a examen.

En nombre de Husqvarna AB, SE 561 82 Huskvarna (SUECIA), Huskvarna, 2023-07-26



Claes Losdal

Responsable de la documentación técnica



Esquemas

Esquema eléctrico

(Fig. 3)

Sommaire

Introduction.....	83	Caractéristiques techniques.....	105
Sécurité.....	85	Entretien.....	107
Utilisation.....	91	Déclaration de conformité UE.....	108
Entretien.....	94	Schémas.....	108
Dépannage.....	101	Annexe	158
Transport, entreposage et mise au rebut.....	103		

Introduction

Inspection avant livraison et numéros de produit

Une inspection avant livraison a été effectuée pour ce produit. Assurez-vous que vous avez reçu

une copie signée du document d'inspection avant livraison du revendeur.

Coordonnées du revendeur :	
Ce manuel d'utilisation s'applique au produit portant le numéro de produit/numéro de série :	
	/
Moteur :	
Transmission :	

Les numéros de série du produit sont indiqués sur la plaque signalétique. Reportez-vous à la section *Aperçu du produit à la page 83* pour connaître l'emplacement de la plaque signalétique.

Description du produit

Ce produit est une tondeuse autoportée. Les leviers de commande permettent à l'opérateur de diriger le produit et de régler la vitesse du

produit. Un compteur horaire indique le temps de fonctionnement du produit.

Utilisation prévue

Ce produit est conçu pour couper l'herbe sur des surfaces extérieures planes uniquement. N'utilisez pas ce produit pour d'autres travaux.

Aperçu du produit

(Fig. 1)

1. Leviers de commande
2. Frein de stationnement
3. Commande de suivi
4. Levier de levage du plateau
5. Fusibles
6. Tringle de dérivation
7. Soupape d'arrêt de carburant
8. Réservoir de carburant
9. Starter
10. Commande d'accélération
11. Compteur horaire
12. Interrupteur d'allumage
13. Bouton de PDF
14. Plaque signalétique

Commandes de direction

La direction du produit est commandée par les 2 leviers de commande. Reportez-vous à la section *Aperçu du produit à la page 83*. Les leviers de commande peuvent être déplacés vers l'avant et vers l'arrière à partir du point mort. Reportez-vous à la section *Pour utiliser le produit à la page 93*.

Contrôle de présence de l'utilisateur (OPC)

L'OPC est engagée lorsque le conducteur se lève de son siège. Le moteur et l'entraînement des lames de la tondeuse s'arrêtent si les lames sont engagées ou si le frein de stationnement n'est pas serré. Reportez-vous à la section *Conditions de fonctionnement à la page 88*.

Clé de contact

La clé de contact a 4 positions :

- Position de démarrage (A)
- Position de conduite (B)
- Position phares (C)
- Position d'arrêt (D)

(Fig. 35)

Phares

(Fig. 35)

- Tournez la clé de contact en position phares (C) pour faire fonctionner le produit avec les phares allumés.
- Tournez la clé de contact en position de conduite (B) pour faire fonctionner le produit avec les phares éteints.

Commande d'accélération

La commande d'accélération règle la vitesse du moteur et la vitesse des lames, si les lames sont engagées. La commande d'accélération comporte 2 positions d'extrémité, le régime de ralenti et le plein régime.

(Fig. 36)

- Régime de ralenti (A) - réduit le régime moteur.
- Plein régime (B) - augmente le régime moteur.



REMARQUE: Ne faites pas tourner le moteur au ralenti (A) plus longtemps que nécessaire. Une durée de fonctionnement au ralenti trop longue peut réduire la durée de vie des bougies d'allumage.

Starter

Le starter est utilisé pour les démarrages à froid afin de fournir plus de carburant au moteur. Tirez le starter vers le haut lorsque vous démarrez le moteur à froid.

Reportez-vous à la section *Aperçu du produit à la page 83* pour connaître l'emplacement du starter.

Interrupteur de PDF (prise de force)

L'interrupteur de PDF permet d'engager et de désengager l'embrayage de PDF et le carter de coupe ou tout autre équipement qui lui est accouplé. Les conditions de démarrage correctes doivent être respectées pour engager l'entraînement des lames. Reportez-vous à la section *Conditions de fonctionnement à la page 88* pour connaître les conditions de démarrage correctes.

- Tirez le bouton de PDF pour engager l'entraînement des lames ou des autres équipements.

(Fig. 37)

- Appuyez sur le bouton de PDF pour désengager l'entraînement des lames ou des autres équipements.

(Fig. 38)

Soupape d'arrêt de carburant

Reportez-vous à la section *Aperçu du produit à la page 83* pour connaître l'emplacement de la soupape d'arrêt de carburant.

La soupape d'arrêt de carburant est fermée lorsque la languette du bouton est perpendiculaire à la conduite de carburant.

Fusibles

Les fusibles se trouvent dans la boîte à fusibles. La boîte à fusibles se trouve sous le siège. Inclinez le siège vers l'avant pour accéder à la boîte à fusibles. Référez-vous à l'autocollant sur la boîte à fusibles pour identifier les différents fusibles.

Compteur horaire

Le produit est équipé d'un compteur horaire qui indique le nombre d'heures de fonctionnement pendant lesquelles les lames ont été engagées. Reportez-vous à la section *Aperçu du produit à la page 83* pour connaître l'emplacement du compteur horaire.

(Fig. 39)

Toutes les 50 heures, un symbole de niveau d'huile s'affiche pendant 2 heures. Reportez-vous à la section *Pour contrôler le niveau d'huile moteur à la page 99*.

Symboles concernant le produit

- (Fig. 4) **AVERTISSEMENT :** ce produit peut être dangereux et causer des blessures graves, voire mortelles, à l'opérateur ou à d'autres personnes. Soyez prudent et utilisez le produit correctement.
- (Fig. 5) utilisez des lunettes de protection.
- (Fig. 6) Frein de stationnement.
- (Fig. 7) Vitesse du moteur – rapide.
- (Fig. 8) Lent.
- (Fig. 9) Starter.
- (Fig. 10) Carburant.
- (Fig. 11) Utilisez des gants de protection.
- (Fig. 12) Arrêtez le moteur avant d'effectuer l'entretien.

(Fig. 13)	N'utilisez pas le produit sans déflecteur ou collecteur d'herbe.	(Fig. 31)	Ce produit est conforme aux directives en vigueur au Royaume-Uni.
(Fig. 14)	Utilisez toujours des protecteurs d'oreilles agréés.	(Fig. 32)	Restez à l'écart de l'éjecteur.
(Fig. 15)	Ne mettez pas le pied ici.	(Fig. 33)	Attention ! L'acide de la batterie est corrosif, explosif et inflammable.
(Fig. 16)	Point mort.	(Fig. 34)	Maintenez toutes les parties du corps à l'écart des pièces en rotation.
(Fig. 17)	Marche arrière.		
(Fig. 18)	Lisez le manuel d'utilisation et assurez-vous de bien comprendre les instructions avant d'utiliser ce produit.	yyyywwxxxx	La plaque signalétique indique le numéro de série. aaaa désigne l'année de production et ww désigne la semaine de production.
(Fig. 19)	Maintenez une distance de sécurité entre le produit et vous.		
(Fig. 20)	Ne faites pas fonctionner le produit sur un sol dont la pente est supérieure à 10°.		
(Fig. 21)	N'embarquez pas de passagers.		
(Fig. 22)	Attention : projections et ricochets.		
(Fig. 23)	Gardez les mains et les pieds éloignés.		
(Fig. 24)	Éloignez vos mains des pièces rotatives.		
(Fig. 25)	Faites attention aux personnes et aux animaux lorsque vous utilisez le produit vers l'avant.		
(Fig. 26)	Faites attention aux personnes et aux animaux lorsque vous utilisez le produit vers l'arrière.		
(Fig. 27)	Hauteur de coupe basse.		
(Fig. 28)	Hauteur de coupe haute.		
(Fig. 29)	Niveau de puissance sonore.		
(Fig. 30)	Le produit est conforme aux directives CE en vigueur.		

Remarque: Les autres symboles/autocollants présents sur le produit concernent des exigences de certification spécifiques à certaines zones commerciales.

Endommagement du produit

Nous ne sommes pas responsables des dommages subis par le produit si :

- le produit n'est pas correctement réparé ;
- le produit est réparé avec des pièces qui ne proviennent pas du fabricant ou qui ne sont pas homologuées par le fabricant ;
- le produit est équipé d'un accessoire qui ne provient pas du fabricant ou qui n'est pas homologué par le fabricant ;
- le produit n'est pas réparé par un centre d'entretien agréé ou par une autorité homologuée.

Émissions Euro V



AVERTISSEMENT: toute altération du moteur a pour effet d'annuler l'homologation de type UE de ce produit.

Sécurité

Définitions de sécurité

Des avertissements, des recommandations et des remarques sont utilisés pour souligner des parties spécialement importantes du manuel.



AVERTISSEMENT: Symbole utilisé en cas de risque de blessures ou de mort pour l'opérateur ou les personnes à proximité si les instructions du manuel ne sont pas respectées.



REMARQUE: Symbole utilisé en cas de risque de dommages pour le produit, d'autres matériaux ou les environs si les instructions du manuel ne sont pas respectées.

Remarque: Symbole utilisé pour donner des informations supplémentaires pour une situation donnée.

Instructions générales de sécurité



AVERTISSEMENT: Lisez les instructions qui suivent avant d'utiliser le produit



AVERTISSEMENT: Le non-respect des consignes de sécurité relatives à l'utilisation peut entraîner des blessures graves à l'opérateur ou à des tiers. Le propriétaire doit comprendre ces consignes et autoriser l'utilisation de la tondeuse uniquement par des personnes approuvées qui comprennent ces instructions. Toute personne utilisant la tondeuse doit être en bonne condition physique et mentale et ne doit pas se trouver sous l'influence de substances susceptibles d'altérer ses facultés mentales.



AVERTISSEMENT: Ce produit peut trancher les mains et les pieds et projeter des objets. Le non-respect de ces instructions de sécurité peut entraîner des blessures très graves, voire mortelles.

- Lisez, familiarisez-vous et suivez les instructions et les avertissements contenus dans ce document, dans le manuel de l'opérateur, et présents sur le produit, le moteur et les accessoires.
- N'autorisez que des opérateurs responsables, correctement formés, connaissant bien les instructions et physiquement capables d'utiliser le produit.
- Veillez à prévenir une personne de votre entourage que vous allez utiliser le produit en cas de blessure ou d'accident.
- Ne transportez pas de passagers et éloignez les personnes à proximité.
- N'utilisez pas le produit sous l'influence de l'alcool ou de médicaments.
- Suivez les recommandations du fabricant relatives à l'utilisation de masses de roues ou de contrepois.

- Apprenez à utiliser la machine et ses commandes en toute sécurité et apprenez à l'arrêter rapidement.
- Apprenez à reconnaître les autocollants de sécurité.
- Veuillez à ce que la machine reste propre pour pouvoir lire clairement les symboles et les autocollants.
- N'oubliez pas que l'opérateur sera tenu responsable des accidents occasionnés à des tiers et à leurs biens.
- Utilisez la machine uniquement à la lumière du jour ou dans des conditions d'éclairage appropriées. Maintenez la machine à une distance de sécurité des ornières et autres irrégularités du sol. Soyez attentif à d'autres risques possibles.
- Ne laissez pas des enfants ou d'autres personnes non homologuées utiliser ou entretenir la machine. L'âge minimum de l'utilisateur peut être régi par les législations locales.
- Assurez-vous que personne ne se trouve à proximité de la machine lorsque vous démarrez le moteur, embrayez l'unité d'entraînement ou commencez à avancer avec la machine.
- Faites attention à la circulation lorsque vous tondez à proximité d'une route ou que vous traversez une route.
- N'utilisez pas la machine si vous êtes fatigué, avez bu de l'alcool ou pris des médicaments susceptibles d'affecter votre vue, votre jugement ou la maîtrise de votre corps.
- Garez toujours la machine sur une surface plane et le moteur arrêté.
- Ne modifiez pas ce produit.
- N'utilisez pas le produit s'il est susceptible d'avoir été modifié par d'autres personnes.

Consignes de sécurité pour les enfants



AVERTISSEMENT: Ce produit peut blesser grièvement ou mortellement les enfants. Lisez les instructions qui suivent avant d'utiliser le produit. Éloignez les enfants.

- Des accidents tragiques peuvent se produire si l'opérateur ne prend pas garde à la présence d'enfants. Les enfants sont souvent attirés par le produit et le travail de tonte. Ne supposez jamais que les enfants restent en place et qu'ils se trouvent encore à l'endroit où vous les avez vus pour la dernière fois.
- Éloignez les enfants de la zone de travail et laissez-les sous la surveillance d'un adulte responsable autre que l'opérateur.
- Soyez attentif et arrêtez le produit immédiatement si des enfants pénètrent dans la zone de travail. Soyez très prudent à l'approche

de coins, de buissons, d'arbres ou de tout autre objet qui empêche d'avoir une vue dégagée.

- Observez la plus grande prudence près de coins, de buissons, d'arbres et de tout autre obstacle bloquant la visibilité et pouvant vous empêcher de voir un enfant.
- Avant et pendant que vous effectuez une marche arrière avec le produit, regardez derrière vous et vers le bas pour vérifier l'absence d'enfants en bas âge.
- Ne laissez pas des enfants utiliser la machine.
- Selon l'Académie américaine de pédiatrie, l'âge minimum pour l'utilisation d'une tondeuse autoportée est de 16 ans.
- Ne transportez pas d'enfants, même si le(s) lame(s) sont arrêtées. Les enfants pourraient tomber et se blesser grièvement ou encore gêner l'utilisation en toute sécurité du produit. Les enfants qui ont été autorisés par le passé à monter sur la machine risquent d'entrer sur la zone de tonte en espérant une promenade et d'être écrasés ou fauchés par le produit.

Instructions de sécurité pour le fonctionnement



AVERTISSEMENT: Lisez les instructions qui suivent avant d'utiliser le produit.



AVERTISSEMENT: Ne touchez pas le moteur ou le système d'échappement pendant ou directement après utilisation. Le moteur et le système d'échappement des gaz deviennent très chauds pendant le fonctionnement. Risque de brûlures, d'incendie ou de dégâts matériels ou des zones adjacentes. Lors de l'utilisation du produit, restez à distance des buissons et autres éléments.

- Faites tourner le moteur uniquement dans des zones bien ventilées. Les gaz d'échappement contiennent du monoxyde de carbone, un poison mortel.
- Utilisez le produit uniquement à la lumière du jour ou avec un éclairage artificiel approprié.
- Débarrassez la zone de travail d'objets tels que des pierres, des jouets ou encore des câbles risquant d'être happés et éjectés par les lames de la machine.
- Évitez de passer sur des trous, des ornières, des bosses, des pierres ou tout autre danger caché. Sur terrain irrégulier, le produit risque de se retourner, et l'opérateur peut perdre l'équilibre.
- Ne placez ni les mains ni les pieds à proximité des pièces en rotation ou sous le produit. Restez toujours éloigné de l'ouverture de l'éjecteur.

- N'utilisez pas ce produit si l'intégralité du collecteur d'herbe, le cache de l'éjecteur et les autres dispositifs de sécurité ne sont pas en place et en bon état de fonctionnement.
- Ne dirigez pas l'évacuation des végétaux vers des personnes. Évitez de décharger les matériaux contre un mur ou un obstacle. Les matériaux risquent d'être projetés vers l'opérateur. Arrêtez les lames lorsque vous passez sur du gravier.
- Ne laissez pas un produit en marche sans surveillance. Stationnez toujours le produit sur un sol plat, désengagez l'accessoire, serrez le frein de stationnement et arrêtez le moteur.
- Ne tondez pas en marche arrière sauf si vous ne pouvez pas faire autrement. Regardez toujours vers le bas et en arrière avant et pendant la marche arrière.
- Ralentissez avant de tourner.
- Réduisez la vitesse avant de prendre un virage.
- Les statistiques montrent que les utilisateurs âgés de 60 ans ou plus sont impliqués dans un grand nombre de blessures liées à l'utilisation d'une tondeuse. Ces conducteurs doivent évaluer leur capacité à utiliser la tondeuse autoportée en toute sécurité pour pouvoir se protéger et protéger les autres contre toute blessure.

Instructions de sécurité pour utilisation en pente



AVERTISSEMENT: Lisez les instructions qui suivent avant d'utiliser le produit.

Les pentes font partie des principaux facteurs d'accident. L'utilisation en pente exige la plus grande prudence.

- Déplacez-vous dans la direction recommandée par le constructeur sur les pentes. Faites preuve de prudence lors de l'utilisation à proximité de ruptures de pente.
- Évitez de tondre de l'herbe mouillée. Les pneus risquent de patiner.
- N'utilisez en aucun cas le produit lorsque la traction, la direction ou la stabilité sont remises en question. Les pneus peuvent glisser même si les roues sont arrêtées.
- Gardez toujours le levier de vitesse engagé dans les descentes. Ne laissez pas la machine avancer en roue libre dans une descente.
- Évitez de démarrer et de vous arrêter dans une pente. Éviter de faire des changements brusques de vitesse ou de direction. Prenez les virages lentement et progressivement.
- Si les roues commencent à patiner, désengagez les lames et descendez doucement la pente en ligne droite.
- Redoublez de prudence si vous utilisez le produit avec un collecteur d'herbe ou d'autres

accessoires. Ils peuvent altérer la stabilité du produit.

- La tonte d'herbe sur des terrains en pente accroît le risque que vous perdiez le contrôle du produit et qu'il se retourne. Cela peut provoquer des blessures graves, voire mortelles. Il est nécessaire de tondre l'herbe avec précaution sur les pentes. Si vous ne pouvez pas remonter une pente en marche arrière ou si vous ne vous sentez pas en sécurité, ne procédez pas à la tonte.
- Retirez les obstacles tels que les pierres et les branches.
- Coupez l'herbe sur la pente de haut en bas, et non d'un côté à l'autre.
- Ne faites pas fonctionner la machine sur un sol dont la pente est supérieure à 10°.
- Sur un terrain en pente, déplacez la machine lentement et sans à-coups.
- Identifiez et ne passez pas avec la machine au-dessus de sillons, de trous ou de bosses. Il y a plus de risque que la machine se retourne lorsque le sol n'est pas plat. L'herbe haute peut cacher des obstacles.
- Ne tondez pas d'herbe à proximité de bordures, de fossés ou de talus. Maintenez ces dangers à une distance au moins équivalente à la largeur de la machine. La machine risque de soudainement se renverser si une roue atteint le bord d'une pente raide ou d'un fossé, ou si un bord cède.

Équipement de protection individuel



AVERTISSEMENT: Lisez les instructions qui suivent avant d'utiliser le produit.

- Utilisez un équipement de protection individuel homologué lorsque vous utilisez le produit. L'équipement de protection individuel ne protège pas complètement des blessures, mais il diminue la gravité des blessures en cas d'accident. Faites appel à votre revendeur pour vous aider à sélectionner l'équipement adéquat.
- Portez toujours des protège-oreilles homologués. Une exposition prolongée au bruit risque de causer des lésions auditives permanentes.
- Portez toujours des lunettes de sécurité ou des protections pour les yeux pendant l'utilisation du produit ou pendant son entretien ou sa réparation.
- Portez toujours des chaussures ou des bottes de protection. Des embouts de sécurité en acier sont recommandés. N'utilisez pas la machine pieds nus.

(Fig. 40)

- Portez des gants en cas de besoin, par exemple lorsque vous fixez, examinez ou nettoyez l'équipement de coupe.

- Ne portez pas de vêtements amples, de bijoux ou d'autres articles pouvant s'accrocher dans les pièces mobiles.
- Ne portez pas de short lorsque vous utilisez le produit.
- Gardez toujours une trousse de premiers soins et un extincteur à portée de main.

Dispositifs de sécurité sur le produit



AVERTISSEMENT: Lisez les instructions qui suivent avant d'utiliser le produit.

- N'utilisez pas un produit dont les dispositifs de sécurité sont endommagés ou ne fonctionnent pas correctement. Contrôlez les dispositifs de sécurité régulièrement. Si les dispositifs de sécurité sont endommagés, parlez-en à votre agent d'entretien Husqvarna.
- N'apportez pas de modifications aux dispositifs de sécurité. N'utilisez pas le produit si des plaques de protection, des capots de protection, des interrupteurs de sécurité ou d'autres dispositifs de protection ne sont pas fixés ou sont endommagés.

Pour contrôler la clé de contact

- Démarrez et arrêtez le moteur pour contrôler la clé de contact. Reportez-vous à la section *Pour démarrer le moteur à la page 93* et *Pour arrêter le moteur à la page 93*.
- Assurez-vous que le moteur démarre lorsque vous tournez la clé de contact en position de démarrage.
- Assurez-vous que le moteur s'arrête immédiatement lorsque vous tournez la clé de contact en position d'arrêt.

Conditions de fonctionnement

Les conditions suivantes sont nécessaires au démarrage du moteur :

- Les leviers de commande sont en position neutre.
- Le frein de stationnement est serré.
- L'entraînement des lames est désengagé.
- L'OPC est poussé vers le bas.

Le moteur doit s'arrêter dans les situations suivantes :

- Le frein de stationnement n'est pas serré et l'opérateur se lève de son siège.
- Engagez l'entraînement des lames et levez-vous du siège.

Essayez de démarrer le moteur lorsque l'une des conditions n'est pas remplie. Modifiez les conditions et réessayez. Procédez à ce contrôle quotidiennement.

Frein de stationnement



AVERTISSEMENT: Si le frein de stationnement ne fonctionne pas, la machine peut commencer à se déplacer et occasionner des blessures ou des dégâts. Assurez-vous que le frein de stationnement est régulièrement examiné et réglé.

Reportez-vous à la section *Contrôle du frein de stationnement à la page 96.*

Silencieux



AVERTISSEMENT: N'utilisez pas le produit si le silencieux est manquant ou endommagé. Un silencieux endommagé ou manquant augmente le niveau sonore et le risque d'incendie.

Le silencieux est conçu pour réduire au maximum le niveau sonore et rejeter les gaz d'échappement loin de l'utilisateur.

Examinez le silencieux régulièrement pour s'assurer qu'il est correctement fixé et qu'il n'est pas endommagé.



AVERTISSEMENT: Le silencieux devient très chaud pendant et après utilisation et lorsque le moteur fonctionne au ralenti. Soyez vigilant à proximité des matériaux inflammables et/ou des fumées pour prévenir tout risque d'incendie.

Pour contrôler le silencieux

- Examinez le silencieux régulièrement pour s'assurer qu'il est correctement fixé et qu'il n'est pas endommagé.

Grille antiflamme

Ce produit est équipé d'un moteur à combustion interne. N'utilisez pas le produit à proximité de végétation sans grille antiflamme approuvée par les lois locales ou nationales. La portée des lois fédérales s'étend à tous les territoires fédéraux.

Une grille antiflamme destinée au silencieux est disponible auprès de votre revendeur agréé Husqvarna.

Capots de protection

Les capots de protection manquants ou endommagés augmentent le risque de blessure sur les parties mobiles et les surfaces chaudes. Contrôlez les capots de protection avant d'utiliser le produit. Assurez-vous que les capots de protection sont correctement fixés et qu'ils ne sont pas

fissurés ou endommagés. Remplacez tout capot endommagé.

Sécurité carburant



AVERTISSEMENT: Lisez les instructions qui suivent avant d'utiliser le produit.



AVERTISSEMENT: Faites attention avec le carburant. Il est très inflammable et peut provoquer des blessures ou des dégâts matériels.

- Éteignez les cigarettes, cigares, pipes et autres sources d'ignition.
- Utilisez exclusivement un récipient homologué pour le stockage du carburant.
- Ne retirez pas le bouchon du réservoir de carburant et ne faites pas l'appoint de carburant lorsque le moteur tourne ou s'il est chaud.
- Ne faites pas l'appoint à l'intérieur ou dans des espaces clos.
- Une fois le plein de carburant effectué, remettez le bouchon du réservoir en place et serrez-le fermement.
- Ne rangez pas le produit ou le récipient de carburant, et ne refaites pas l'appoint à proximité d'une flamme nue, d'une source d'étincelles ou d'une veilleuse, comme celle d'un chauffe-eau ou d'un autre appareil.
- Si vous avez renversé du carburant sur vos vêtements, changez de vêtements immédiatement.
- Si du carburant a été renversé, n'essayez pas de démarrer le moteur et évitez de créer une source d'inflammation tant que les vapeurs ne sont pas dissipées.
- Pour éviter les incendies : veillez à ce que le produit ne contienne plus d'herbe, de feuilles ou d'autres débris accumulés ; nettoyez les déversements d'huile ou de carburant, et éliminez les débris imbibés de carburant ; laissez le produit refroidir avant de le remiser.
- Redoublez de prudence lorsque vous manipulez de l'essence ou d'autres carburants. Ils sont inflammables et leurs vapeurs sont explosives.
- L'essence et les fumées d'essence sont nocives et très inflammables. Faites attention à l'essence pour éviter les risques de blessures ou d'incendie.
- Laissez le moteur se refroidir avant de faire le plein.
- Ne remplissez pas le carburant à proximité d'étincelles ou de flammes nues.
- S'il y a des fuites dans le système de carburant, ne démarrez pas le moteur jusqu'à ce que les fuites soient réparées.
- Ne remplissez pas au-delà du niveau de carburant recommandé. La chaleur du moteur et

du soleil dilate le carburant. Le carburant peut déborder si le réservoir est trop rempli.

- Entrez la machine et le carburant de façon à éviter le risque de fuite ou de vapeurs de carburant pouvant causer des dégâts.

Sécurité de transport

- Utilisez un véhicule de transport homologué pour le transport du produit.
- La machine est lourde et peut causer des blessures par écrasement. Soyez prudent lorsque vous chargez ou déchargez la machine d'un véhicule ou d'une remorque.
- La législation nationale ou locale des marchés peut imposer des limites au transport du produit.
- Le conducteur du véhicule de transport est tenu de fixer et de sécuriser le produit pendant le transport. Reportez-vous à la section *Transport à la page 103*.

Transport

- Utilisez des rampes pleine largeur pour charger et décharger un produit lors de son transport.

Sécurité lors du remorquage

- Suivez les recommandations du fabricant relatives aux limites de poids pour les équipements remorqués et au remorquage sur un terrain en pente.
- Utilisez uniquement un équipement de remorquage homologué par Husqvarna.
- Utilisez la barre de remorquage pour atteler l'équipement.
- Assurez-vous que personne ne se trouve à proximité du produit lorsque vous remorquez un équipement.
- Ne laissez jamais les enfants ou toute autre personne monter sur l'équipement remorqué.
- Ne remorquez pas sur des terrains en pente ou accidentés. Le poids de l'équipement remorqué peut entraîner une perte de traction et de contrôle.

Consignes de sécurité relatives à l'utilisation de la batterie



AVERTISSEMENT: Une batterie endommagée peut exploser et causer des blessures. Si la batterie présente une déformation ou est endommagée, contactez un agent d'entretien Husqvarna agréé.



AVERTISSEMENT: Lisez les instructions qui suivent avant d'utiliser le produit.

- Portez des lunettes de protection lorsque vous êtes à proximité des batteries.

- Ne portez pas de montres, de bijoux ou d'autres objets métalliques à côté de la batterie.
- Conservez la batterie hors de portée des enfants.
- Rechargez la batterie dans un espace bien aéré.
- Conservez les matériaux inflammables à une distance minimale de 1 m lorsque vous rechargez la batterie.
- Mettez au rebut les batteries remplacées. Consultez la section *Mise au rebut à la page 104*.
- La batterie est susceptible de dégager des gaz explosifs. Ne fumez pas à proximité de la batterie. Maintenez la batterie à l'écart des flammes nues et des étincelles.

Instructions de sécurité pour l'entretien



AVERTISSEMENT: Lisez les instructions qui suivent avant d'utiliser le produit.



AVERTISSEMENT: Le produit est lourd et peut provoquer des blessures ou endommager des biens ou la zone adjacente. N'effectuez pas l'entretien du moteur ou du carter de coupe sans que ces conditions ne soient remplies :

- Le moteur est coupé.
- La machine est garée sur un sol plat.
- Le frein de stationnement est serré.
- La clé de contact est en position d'arrêt et retirée.
- Les lames sont désengagées.
- Toutes les pièces mobiles sont arrêtées.
- Les câbles d'allumage sont débranchés des bougies.



AVERTISSEMENT: Un liquide s'échappant sous pression peut avoir une force suffisante pour pénétrer sous la peau et provoquer des blessures graves. En cas d'injection de liquide sous la peau, consultez immédiatement un médecin. Tenez-vous ainsi que vos mains à l'écart des trous d'axe ou des buses d'où s'échappe un liquide sous haute pression. En cas de fuite, faites réparer immédiatement le produit par un technicien qualifié.



AVERTISSEMENT: Les gaz d'échappement du moteur contiennent du monoxyde de carbone, un gaz inodore, toxique et très dangereux. Ne

faites pas fonctionner le produit dans des endroits clos ou dans lesquels le débit d'air n'est pas suffisant.

- Conservez le produit en bon état de marche. Remplacez les pièces usées ou endommagées.

Faites preuve de prudence lors de l'entretien des lames. Enveloppez la ou les lames ou portez des gants. Remplacez les lames endommagées. Ne réparez et ne modifiez pas les lames.

Le cas échéant, débranchez le(s) fil(s) de la bougie et le câble négatif de la batterie avant d'effectuer toute réparation.

Pour de meilleures performances et des raisons de sécurité, procédez à l'entretien de la machine régulièrement, comme indiqué dans le schéma d'entretien. Reportez-vous à la section *Calendrier d'entretien à la page 94*.

- Les décharges électriques peuvent causer des blessures. Ne touchez pas les câbles lorsque le moteur tourne. Ne testez pas le fonctionnement du système d'allumage avec vos doigts.

- Laissez la machine refroidir avant de procéder à des tâches d'entretien à proximité du moteur.
- Les lames sont tranchantes et présentent un risque de coupures. Enroulez des protections autour des lames ou utilisez des gants de protection lorsque vous manipulez les lames.
- Ne retournez pas le moteur si la bougie ou le câble d'allumage ont été retirés.
- Assurez-vous que tous les écrous et boulons sont correctement serrés et que l'équipement est en bon état.
- Ne changez pas le réglage des régulateurs. Si la vitesse du moteur est trop élevée, cela peut endommager les composants du produit. Consultez la section *Caractéristiques techniques à la page 105* pour connaître la vitesse de moteur maximum autorisée.
- La machine est homologuée uniquement avec l'équipement fourni ou recommandé par le fabricant.

Utilisation

Introduction



AVERTISSEMENT: Avant d'utiliser le produit, vous devez lire et comprendre le chapitre sur la sécurité.



AVERTISSEMENT: Avant d'utiliser le produit, vous devez vous assurer qu'il n'y a pas de pierres ou d'autres objets dans la zone de travail pouvant être projetés par les lames rotatives.

Pour démarrer le produit pour la première fois



AVERTISSEMENT: Avant d'utiliser le produit pour la première fois, vous devez lire et comprendre ce chapitre.



- Effectuez l'entretien quotidien. Reportez-vous à la section *Calendrier d'entretien à la page 94*.
- Assurez-vous que le niveau de carburant dans le réservoir de carburant est suffisant.
- Réglez la hauteur de coupe. Reportez-vous à la section *Pour régler la hauteur de coupe à la page 92*.

- Lors de la première utilisation du produit, réduisez la vitesse d'accélération et la vitesse d'avancement.
- Ne déplacez pas les leviers de commande complètement vers l'avant ou complètement vers l'arrière pendant l'utilisation initiale.
- Apprenez à faire fonctionner le produit sur une surface dure, par exemple, du béton ou de l'asphalte, avant de l'utiliser pour la première fois sur une pelouse.

Pour remplir le réservoir de carburant



AVERTISSEMENT: l'essence est très inflammable. Soyez prudent et faites le plein en extérieur, reportez-vous à *Sécurité carburant à la page 89*.

À faire avant de démarrer le produit



AVERTISSEMENT: Avant d'utiliser le produit, vous devez lire et comprendre le chapitre sur la sécurité.



AVERTISSEMENT: Le moteur et le système d'échappement des gaz deviennent très chauds pendant le fonctionnement. Risque de brûlure. Laissez refroidir le moteur et le système d'échappement avant de remplir le produit de carburant.



AVERTISSEMENT: N'utilisez pas le réservoir de carburant comme support.



REMARQUE: L'utilisation d'un type de carburant inadéquat peut endommager le moteur.

Le moteur fonctionne avec de l'essence ayant un indice d'octane minimum de 91 RON (87 AKI), sans mélange essence-huile. Nous vous recommandons l'essence alkylate, qui est biodégradable.

- Contrôlez le niveau de carburant avant chaque utilisation et faites le plein si nécessaire.
- Ne remplissez pas entièrement le réservoir de carburant. Remplissez jusqu'au bas du goulot du réservoir de carburant.

Pour ajuster le siège

1. Soulevez le siège et retirez le bouton de réglage du siège (A).
2. Desserrez le bouton de réglage du siège (B). (Fig. 41)
3. Déplacez le siège jusqu'à ce qu'il soit dans la bonne position.
4. Alignez le trou du support de siège pour le bouton de réglage du siège (A) sur le trou du siège.
5. Installez et serrez le bouton de réglage du siège (A).
6. Serrez le bouton de réglage du siège (B).

Pour rabattre le siège

Le siège peut être rabattu vers l'avant pour accéder à la batterie et aux engrenages hydrostatiques.

1. Garez la machine sur une surface plane.
2. Poussez le siège vers l'avant pour le rabattre vers l'avant.

Pour engager et désengager le frein de stationnement

Ce produit n'a pas de levier de frein de stationnement dédié. Le frein de stationnement est intégré aux 2 leviers de commande.

- Poussez simultanément les 2 leviers de commande à l'écart du siège pour engager le frein de stationnement. Reportez-vous à la section *Aperçu du produit à la page 83* pour connaître l'emplacement des leviers de commande.

Remarque: Le produit doit être à l'arrêt lorsque vous engagez le frein de stationnement.

Remarque: Le moteur s'arrête si les 2 leviers de commande ne sont pas poussés en même temps à l'écart du siège.

- Tirez les 2 leviers de commande dans la direction du siège pour désengager le frein de stationnement.

Pour engager et désengager le système d'entraînement



REMARQUE: Ne désengagez ou n'engagez le système d'entraînement que lorsque le produit est stationné sur un sol horizontal.

S'il est nécessaire de déplacer le produit à la main, avec le moteur à l'arrêt, le système d'entraînement doit être désengagé. Le système d'entraînement est désengagé et engagé par la tringle de dérivation. Les tringles de dérivation se trouvent sous la protection arrière du moteur.

Suivez la procédure ci-dessous pour désengager le système d'entraînement.

1. Garez la machine sur une surface plane et arrêtez le moteur.



AVERTISSEMENT: Laissez le moteur refroidir avant de désengager ou d'engager le système d'entraînement.

2. Retirez la clé de contact.
3. Réglez le carter de coupe en position de transport.
4. Réglez les leviers de commande en position neutre.
5. Tirez les tringles de dérivation vers le haut et dégagez-les des encoches. (Fig. 42)
6. Engagez le système d'entraînement dans l'ordre inverse.

Pour régler le carter de coupe en position de transport ou de tonte

Pendant le transport, le carter de coupe doit être en position de transport.

- Pour mettre la tondeuse en position de transport, tirez le levier de hauteur de coupe dans la direction du siège et placez-le dans la position de hauteur de coupe la plus élevée.
- Pour régler la tondeuse en position de tonte, placez le levier à la hauteur de coupe correcte. Reportez-vous à la section *Pour régler la hauteur de coupe à la page 92*.

Pour régler la hauteur de coupe

1. Tirez le levier de hauteur de coupe en direction du siège. (Fig. 43)

- Déplacez le levier de hauteur de coupe vers l'encoche pour obtenir la bonne hauteur de coupe.

Pour démarrer le moteur

- Asseyez-vous sur le siège.
- Appuyez sur le bouton de PDF pour désengager l'entraînement du carter de coupe. (Fig. 38)
- Réglez le carter de coupe en position de transport. Reportez-vous à la section *Pour régler le carter de coupe en position de transport ou de tonte à la page 92*.
- Enclencher le frein de stationnement. Reportez-vous à la section *Pour engager et désengager le frein de stationnement à la page 92*.
- Placez le levier d'accélération (A) en position de demi-régime. (Fig. 44)
- Si le moteur est froid, tirez le starter (B) vers le haut.
- Enfoncez et tournez la clé de contact (C) en position de démarrage.
- Dès que le moteur démarre, relâchez immédiatement la clé de contact en position de marche.

Remarque: Ne laissez pas la clé de contact en position de démarrage plus de 5 secondes à la fois. Si le moteur ne démarre pas, attendez 15 secondes avant de réessayer.

- Si le moteur est froid, poussez lentement le starter vers le bas.
- Laissez le moteur tourner à demi-régime pendant 3 à 5 minutes avant d'appliquer le plein régime.
- Poussez la commande d'accélération en position de plein régime.

Pour utiliser le produit

- Démarez le moteur. Reportez-vous à la section *Pour démarrer le moteur à la page 93*.
- Désengagez le frein de stationnement. Reportez-vous à la section *Pour engager et désengager le frein de stationnement à la page 92*.
- Poussez avec précaution les 2 leviers de commande vers l'avant. Le produit commence à avancer. Plus les 2 leviers de commande sont poussés vers l'avant, plus la vitesse d'avancement augmente. (Fig. 45)
- Tirez avec précaution les 2 leviers de commande vers l'arrière. Le produit commence à se déplacer vers l'arrière. Plus les 2 leviers de commande sont tirés vers l'arrière, plus la vitesse de marche arrière augmente.
- Placez les 2 leviers de commande au point mort pour réduire la vitesse et arrêter le produit.
- Suivez les étapes ci-dessous pour tourner à gauche ou à droite en marche avant.

- Tirez le levier de commande gauche vers l'arrière dans le sens de la position neutre pour faire tourner le produit vers la gauche. Plus vous tirez le levier de commande gauche vers l'arrière, plus le produit tourne vers la gauche. (Fig. 46)
 - Tirez le levier de commande droit vers l'arrière dans le sens de la position neutre pour faire tourner le produit vers la droite. Plus vous tirez le levier de commande droit vers l'arrière, plus le produit tourne vers la droite. (Fig. 47)
- Suivez les étapes ci-dessous pour effectuer un tour à rayon de braquage zéro.
 - Tirez les 2 leviers de commande vers l'arrière dans la direction du point mort pour réduire la vitesse ou arrêter le produit.
 - Déplacez un levier de commande légèrement vers l'avant et l'autre légèrement vers l'arrière pour effectuer un tour à rayon de braquage zéro.
 - Abaissez le carter de coupe en position de tonte. Reportez-vous à la section *Pour régler le carter de coupe en position de transport ou de tonte à la page 92*.
 - Tirez le bouton de la PDF pour engager l'entraînement des lames.
 - S'il est nécessaire de régler la hauteur de coupe pendant le fonctionnement, référez-vous à *Pour régler la hauteur de coupe à la page 92*.

Pour arrêter le moteur

- Déplacez les 2 leviers de commande en position neutre pour arrêter le produit.
- Enclencher le frein de stationnement.
- Appuyez sur le bouton de la PDF pour désengager l'entraînement des lames. (Fig. 38)
- Mettez le carter de coupe en position de transport.
- Poussez la commande d'accélération en position de régime minimum.
- Laissez le moteur tourner au ralenti pendant au moins 1 minute jusqu'à ce qu'il atteigne sa température de fonctionnement normale.
- Tournez la clé de contact sur la position stop.
- Retirez la clé de contact du contact lorsque vous vous éloignez du produit.

Pour obtenir de bons résultats de tonte

- Pour des performances optimales, procédez régulièrement à l'entretien du produit, comme indiqué dans le schéma d'entretien. Reportez-vous à la section *Entretien à la page 94*.
- Ne tondez pas la pelouse lorsqu'elle est mouillée. L'herbe humide peut nuire à la qualité de la tonte.

- Commencez avec une hauteur de coupe élevée et abaissez-la progressivement.
- Faites tourner le moteur à plein régime lorsque vous coupez l'herbe.
- Faites avancer la machine à faible vitesse si l'herbe est haute et épaisse.
- Coupez l'herbe selon un parcours aléatoire.
- Lorsque vous coupez de grandes surfaces, déplacez la tondeuse vers la droite pendant 1 ou 2 tours autour de la zone de tonte. Cette procédure permet de maintenir l'évacuation de l'herbe à l'écart des arbustes, des clôtures et des allées. Après environ 2 tours autour de la zone de tonte, coupez dans le sens opposé. (Fig. 48)
- Lorsque le kit de broyage est utilisé, coupez l'herbe plus fréquemment.
- Pour obtenir un résultat de coupe optimal, coupez l'herbe fréquemment.

Entretien

Introduction



AVERTISSEMENT: Avant d'effectuer des travaux d'entretien, vous devez lire et comprendre le chapitre sur la sécurité.

X = Les instructions sont mentionnées dans ce manuel de l'opérateur.

O = Consultez le manuel du moteur pour obtenir des instructions.

Calendrier d'entretien pour l'opérateur

Calendrier d'entretien

* = Les instructions ne sont pas mentionnées dans ce manuel de l'opérateur.

Entretien	Entretien quotidien		Effectuer l'entretien au moins 1 fois par an	Intervalle d'entretien en heures			
	avant	Après		25	50	100	300
Vérifiez le frein de stationnement.	X						
Vérifiez le niveau d'huile moteur.	O						
Vérifiez l'équipement de sécurité.	X						
Vérifiez qu'il n'y a pas de fuites d'huile ou de carburant s'échappant du produit.	*						
Vérifiez que le produit n'est pas endommagé.		*					
Vérifiez l'absence de pièces desserrées.		*					
Vérifiez que le carter de coupe n'est pas endommagé.		*					
Vérifiez le réglage du carter de coupe.			X				X
Vérifiez la pression des pneus.	X			X	X	X	X

Entretien	Entretien quotidien		Effectuer l'entretien au moins 1 fois par an	Intervalle d'entretien en heures			
	avant	Après		25	50	100	300
Contrôle les branchements de la batterie.			X	X	X	X	X
Vérifiez le câble d'accélérateur.						O	
Vérifiez les roulettes (toutes les 200 heures).			X			X	
Vérifiez le jeu de la soupape du moteur. ⁴³			*				*
Nettoyez la prise d'air du moteur. ⁴⁴			O	O			
Nettoyez la partie inférieure du carter de coupe.		X					
Nettoyez autour du moteur.		*					
Nettoyez autour des courroies et des poulies de courroie.		*			*	*	*
Vérifiez les courroies et les poulies de courroie.			X			X	
Nettoyez le préfiltre en mousse. ⁴⁵			O	O			
Remplacez le préfiltre en mousse. ⁴⁶⁴⁷			O				
Nettoyez la cartouche du filtre en papier. ⁴⁸			O	O			
Examinez le silencieux et la grille antiflamme.			*		*	*	*
Démarrez le moteur et les lames, vérifiez l'absence de bruits anormaux.		*					
Affûtez les lames. ⁴⁹			X	X			
Remplacez les lames.			X	X			
Remplacez les bougies.			O			O	

⁴³ Doit être effectué par un agent d'entretien agréé.

⁴⁴ Dans des conditions poussiéreuses, le nettoyage et le remplacement doivent être effectués plus fréquemment.

⁴⁵ Dans des conditions poussiéreuses, le nettoyage et le remplacement doivent être effectués plus fréquemment.

⁴⁶ Dans des conditions poussiéreuses, le nettoyage et le remplacement doivent être effectués plus fréquemment.

⁴⁷ Si le produit est équipé d'un préfiltre en mousse.

⁴⁸ Dans des conditions poussiéreuses, le nettoyage et le remplacement doivent être effectués plus fréquemment.

⁴⁹ Doit être effectué par un agent d'entretien agréé.

Entretien	Entretien quotidien		Effectuer l'entretien au moins 1 fois par an	Intervalle d'entretien en heures			
	avant	Après		25	50	100	300
Changez l'huile moteur. ⁵⁰			○	○			
Remplacez le filtre à huile du moteur.			○			○	
Remplacez le filtre à carburant.			○			○	
Remplacez le filtre à air en papier. ⁵¹			○			○	
Effectuez l'entretien des 300 heures. ⁵²			*				*

Nettoyage du produit



REMARQUE: N'utilisez pas de nettoyeur haute pression ni de dispositif de lavage à la vapeur. L'eau risque de pénétrer dans les paliers de lames et les raccords électriques et provoquer leur corrosion, ce qui endommagerait la machine.

Nettoyez la machine immédiatement après utilisation.

- Ne nettoyez pas les surfaces chaudes telles que le moteur, le silencieux et le système d'échappement. Patientez jusqu'à ce que les surfaces refroidissent, puis enlevez l'herbe et les saletés.
- Avant de la nettoyer avec de l'eau, nettoyez-la avec une brosse. Retirez l'herbe et les saletés sur et autour de la transmission, de la prise d'air de la transmission et du moteur.
- Nettoyez la machine à l'eau courante à l'aide d'un tuyau. N'utilisez pas de haute pression.
- Ne dirigez pas le jet vers les composants électriques ou les paliers. Les détergents aggravent généralement les dommages.
- Utilisez de l'air comprimé pour nettoyer le dessus de l'unité de coupe.
- Utilisez un tuyau d'eau pour nettoyer sous le carter de coupe.
- Lorsque la machine est propre, démarrez le carter de coupe quelques instants afin d'éliminer l'eau résiduelle.

Pour nettoyer le moteur et le silencieux

Maintenir le moteur et le silencieux exempt de l'herbe coupée et les saletés. L'herbe coupée trempé

dans le carburant ou l'huile sur le moteur peut augmenter le risque d'incendie et le risque que le moteur devient trop chaud. Laisser refroidir le moteur avant que celui-ci est nettoyée. Nettoyer avec de l'eau et une brosse.

L'herbe coupée autour du silencieux sécher rapidement et représentent un risque d'incendie. Utilisez une brosse ou de retirer l'herbe coupée avec de l'eau quand le silencieux est froid.

Pour nettoyer la batterie

La corrosion et la saleté sur la batterie et les bornes peuvent entraîner une diminution de la puissance de la batterie.

1. Retirez la batterie. Reportez-vous à la section *Pour déposer et installer la batterie à la page 97.*
2. Rincez la batterie avec de l'eau et laissez-la sécher.



REMARQUE: N'utilisez pas de nettoyeur haute pression ni de dispositif de lavage à la vapeur. L'eau risque de pénétrer dans les paliers de lames et les raccords électriques et provoquer leur corrosion, ce qui endommagerait la machine.

3. Nettoyez les bornes et les extrémités des câbles de batterie avec une brosse en métal.

Contrôle du frein de stationnement

1. Garez la machine en pente, sur une surface dure.

⁵⁰ Changez l'huile moteur après les 8 à 10 premières heures d'utilisation. En cas d'utilisation avec une charge lourde ou à une température ambiante élevée, remplacez l'huile moteur toutes les 50 heures.

⁵¹ Dans des conditions poussiéreuses, le nettoyage et le remplacement doivent être effectués plus fréquemment.

⁵² Doit être effectué par un agent d'entretien agréé.

Remarque: ne garez pas le produit sur une pente herbeuse lorsque vous contrôlez le frein de stationnement.

2. Enclencher le frein de stationnement.
3. Si le produit commence à se déplacer avec le frein de stationnement serré, faites régler le frein de stationnement par un atelier spécialisé agréé.
4. Désengagez le frein de stationnement.

Pour charger la batterie

- Chargez la batterie si elle est trop faible pour démarrer le moteur. Reportez-vous à la section *Durées de charge de la batterie à la page 107* pour les temps de charge de la batterie.
- Utilisez un chargeur de batterie standard.



REMARQUE: N'utilisez pas d'accélérateur de charge/de dispositif d'aide au démarrage. Un chargeur de secours ou un dispositif d'aide au démarrage risque d'endommager le système électrique du produit.

- Débranchez toujours le chargeur de batterie avant de démarrer le moteur.

Pour effectuer un démarrage d'urgence du moteur

Si la batterie est trop faible pour démarrer le moteur, vous pouvez utiliser des câbles de démarrage pour effectuer un démarrage d'urgence. Ce produit est équipé d'un système de terre négatif de 12 V. Le produit utilisé pour le démarrage d'urgence doit également être équipé du même système.

Pour connecter les câbles de démarrage



AVERTISSEMENT: Risque d'explosion en raison de gaz explosifs émis par la batterie. Ne reliez pas la borne négative de la batterie complètement chargée à, ou à proximité de, la borne négative de la batterie déchargée.



REMARQUE: N'utilisez pas la batterie du produit pour démarrer d'autres véhicules.

1. Branchez une extrémité du câble rouge à la borne POSITIVE (+) de la batterie faible (A). (Fig. 49)
2. Branchez l'autre extrémité du câble rouge à la borne POSITIVE (+) de la batterie complètement chargée (B).



AVERTISSEMENT: Ne provoquez pas un court-circuit contre

le châssis avec les extrémités du câble rouge.

3. Branchez une des extrémités du câble noir à la borne NÉGATIVE (-) de la batterie complètement chargée (C).
4. Branchez l'autre extrémité du câble noir à une MASSE DU CHÂSSIS, loin du réservoir de carburant et de la batterie.

Pour retirer les câbles de démarrage

Remarque: Retirez les câbles de démarrage dans l'ordre inverse de leur branchement.

1. Retirez le câble NOIR du châssis.
2. Retirez le câble NOIR de la batterie complètement chargée.
3. Retirez le câble ROUGE des 2 batteries.

Pour déposer et installer la batterie

1. Rabattez le siège vers l'avant. Reportez-vous à la section *Pour rabattre le siège à la page 92*.
2. Déposez le boulon et l'écrou du support de batterie, et retirez le support de batterie de la batterie. (Fig. 50)
3. Utilisez 2 clés pour débrancher le câble noir de la batterie de la borne négative (-) de la batterie.
4. Utilisez 2 clés pour débrancher le câble rouge de la batterie de la borne positive (+) de la batterie.
5. Sortez délicatement la batterie de la machine.
6. Effectuez l'installation en suivant les étapes dans l'ordre inverse.

Pour régler la vitesse de suivi du moteur

Si le produit ne se déplace pas en ligne droite, la vitesse de suivi doit être réglée.



AVERTISSEMENT: Réglez toujours la vitesse de suivi dans une zone dégagée, sans personne autour.

1. Contrôlez la pression des pneus. Reportez-vous à la section *Pression des pneus à la page 98*.
2. Tournez les commandes de suivi vers l'extérieur jusqu'à ce qu'elles soient alignées sur les écrous. Reportez-vous à la section *Aperçu du produit à la page 83* pour connaître l'emplacement des commandes de suivi.
3. Faites démarrer le produit.
4. Déplacez les leviers de commande complètement vers l'avant et faites fonctionner le produit à plein régime.
5. Tournez progressivement la commande de suivi sur le côté droit jusqu'à ce que le produit commence à se déplacer vers la droite.

6. Tournez progressivement la commande de suivi sur le côté gauche jusqu'à ce que le produit commence à avancer tout droit.

Pression des pneus

Assurez-vous d'avoir la bonne pression pour tous les 4 pneus. Reportez-vous à la section *Caractéristiques techniques à la page 105*.

Pour déposer et installer les roues avant

1. Déposez l'écrou et le boulon pour déposer les roues avant des fourches. (Fig. 51)
2. Effectuez l'installation en suivant les étapes dans l'ordre inverse. Serrez l'écrou et le boulon au couple de 67,8 Nm (50 ft-lb).

Pour régler les rouleaux anti-arrachement

Les rouleaux anti-arrachement maintiennent le carter de coupe dans la bonne position au sol pour empêcher l'arrachement de la pelouse sur la plupart des terrains. Les rouleaux anti-arrachement peuvent être réglés sur 3 positions pour différentes longueurs d'herbe :

- Position supérieure : 38 à 64 mm (1,5 à 2,5 po) d'herbe.
- Position centrale : 2,5–4 po / 64–102 mm d'herbe.
- Position inférieure : 4–5 po / 102–127 mm d'herbe.

1. Garez la machine sur une surface plane et arrêtez le moteur.
2. Retirez l'écrou, le boulon, l'essieu et le rouleau anti-arrachement. (Fig. 52)
3. Installez le rouleau anti-arrachement dans l'une des 3 positions.



REMARQUE: Le carter de coupe peut être endommagé si les rouleaux anti-arrachement sont mal réglés. Les rouleaux anti-arrachement doivent se situer à approximativement 6,4 mm (1/4") du sol.

Pour régler le parallélisme du carter de coupe

Cette procédure permet de régler le carter de coupe dans une position standard.

1. Assurez-vous que la pression des pneus est correcte. Reportez-vous à la section *Pression des pneus à la page 98*.
2. Garez le produit sur une surface plane.
3. Mettez le carter de coupe en position de transport.

4. Tournez les extrémités extérieures des lames afin de les aligner de manière latérale sur le carter de coupe. (Fig. 53)



AVERTISSEMENT: les lames du carter de coupe sont affûtées et peuvent causer des blessures. Utilisez des gants de protection.

5. Mesurez la distance entre le sol et le bas de l'extrémité de la lame sur le côté de décharge de carter de coupe. Notez la distance.
6. Mesurez la distance entre le sol et le bas de l'extrémité de la lame sur le côté opposé au côté décharge. La distance doit être la même que la distance pour le côté décharge. Si un réglage s'avère nécessaire, réglez les écrous de réglage des tiges de levage jusqu'à ce que les 2 distances mesurées de chaque côté soient identiques. Tournez les écrous dans le sens des aiguilles d'une montre pour augmenter la hauteur et dans le sens contraire des aiguilles d'une montre pour réduire la hauteur. (Fig. 54)
7. Tournez les lames de façon à les aligner avec le carter de coupe d'avant en arrière.
8. Si l'extrémité avant de la lame n'est pas plus basse de 1/8-1/2 po. / 0,3175-1,27 mm que l'arrière, tournez les écrous sur la tringlerie de suspension avant. Tournez les écrous dans le sens des aiguilles d'une montre pour augmenter la hauteur et dans le sens contraire des aiguilles d'une montre pour réduire la hauteur. (Fig. 55)
9. Mesurez à nouveau les distances pour vous assurer que le carter de coupe a été réglé correctement.

Pour examiner les lames



REMARQUE: Des lames endommagées ou mal équilibrées peuvent endommager le produit. Remplacez les lames endommagées. Demandez à un agent d'entretien agréé d'affûter et d'équilibrer les lames émoussées.

- Examinez les lames pour voir si elles sont endommagées et s'il est nécessaire de les affûter.

Pour remplacer les lames

1. Retirez le boulon de lame.
2. Montez la nouvelle lame avec le côté sans tampons dans le sens du carter de coupe.



AVERTISSEMENT: L'utilisation d'un type de lame inapproprié peut provoquer l'éjection d'objets par le carter de coupe et causer des blessures très graves.

Utilisez uniquement des lames approuvées.

- Fixez le boulon de lame. Serrez le boulon à un couple de 60-81 Nm.

Pour déposer la courroie de plateau

Stationnez le produit sur un sol horizontal et serrez le frein de stationnement avant d'effectuer cette tâche.

- Mettez le carter de coupe à la position la plus basse.
- Déposez les 2 capots de courroie.
- Nettoyez toute saleté ou herbe ayant pu s'accumuler autour des carters de coupe et la surface du plateau.
- Notez la position du guide de courroie.
- Desserrez l'écrou sur le guide de courroie. (Fig. 56)
- Poussez le bras de renvoi pour diminuer la tension de la courroie de plateau et retirez avec précaution la courroie de plateau des poulies.
- Débranchez la courroie de plateau de l'embrayage électrique sur l'arbre du moteur.

Pour installer la courroie de plateau

- Enroulez la courroie de plateau autour de la poulie de l'embrayage électrique située sur l'arbre du moteur.
- Placez la courroie de plateau autour des poulies sur le carter de coupe.

Remarque: Reportez-vous à l'autocollant d'agencement sur le carter de coupe lors de l'installation de la courroie de plateau.

- Poussez le bras de renvoi jusqu'à ce que vous puissiez placer la courroie de plateau autour de la poulie folle stationnaire et la maintenir à cet endroit.
- Placez avec précaution la courroie de plateau autour de la poulie folle stationnaire et relâchez lentement le bras de renvoi pour le remettre en position.
- Assurez-vous que l'agencement de la courroie est aligné sur l'agencement de la courroie indiqué sur l'autocollant d'agencement de la courroie.
- Vérifiez que la courroie de plateau n'est pas tordue.
- Placez le guide de courroie dans la bonne position et serrez l'écrou.

Remarque: Reportez-vous à la note que vous avez faite lorsque vous avez retiré le guide de courroie.

- Installez les 2 carters de la courroie.

Pour contrôler le niveau d'huile moteur

- Garez la machine sur une surface plane et arrêtez le moteur.
- Ouvrez le coussin de l'opérateur pour accéder au moteur.
- Desserrez la jauge et sortez-la.
- Nettoyez l'huile sur la jauge.
- Placez la jauge dans l'orifice prévu pour la jauge et serrez-la.
- Desserrez et retirez la jauge, puis lisez le niveau d'huile.
- Le niveau d'huile doit se situer entre les repères indiqués sur la jauge. Si le niveau est proche du repère ADD, remplissez d'huile jusqu'à atteindre le repère FULL. (Fig. 57)
- Remplissez le réservoir d'huile par l'orifice de la jauge. Remplissez l'huile lentement.

Remarque: Reportez-vous à *Caractéristiques techniques à la page 105* pour connaître les types d'huile moteur que Husqvarna recommande. Ne mélangez pas différents types d'huile.

- Serrez la jauge totalement avant de démarrer le moteur.

Pour remplacer l'huile moteur

Si le moteur est froid, faites tourner le moteur pendant 1 à 2 minutes avant de vidanger l'huile moteur. Ainsi, l'huile moteur sera chaude et la vidange sera plus rapide.



AVERTISSEMENT: Ne faites pas fonctionner le moteur pendant plus de 1 à 2 minutes avant de vidanger l'huile moteur. L'huile moteur devient très chaude et peut causer des brûlures graves. Laissez le moteur refroidir avant de vidanger l'huile moteur.



AVERTISSEMENT: Si vous renversez de l'huile moteur sur vous, nettoyez avec de l'eau et du savon.

- Garez la machine sur une surface plane et arrêtez le moteur.
- Enclencher le frein de stationnement. Reportez-vous à la section *Pour engager et désengager le frein de stationnement à la page 92*.
- Retirez toute la saleté autour du bouchon du réservoir d'huile.
- Déposez le bouchon du réservoir d'huile et de la jauge.
- Installez le tube de vidange d'huile (A) sur le robinet de vidange d'huile moteur (B). (Fig. 58)

6. Placez un récipient sous le moteur pour récupérer l'huile moteur.
7. Tournez le robinet de vidange d'huile dans le sens contraire des aiguilles d'une montre pour ouvrir le robinet de vidange d'huile. Utilisez une clé de 10 mm.
8. Lorsque toute l'huile moteur est vidangée, tournez le robinet de vidange d'huile dans le sens des aiguilles d'une montre pour le fermer. Utilisez une clé de 10 mm.
9. Utilisez la clé de 10 mm pour serrer avec précaution le robinet de vidange d'huile en position fermée. Ne serrez pas trop fermement.



REMARQUE: évitez d'appliquer un couple trop important lors du serrage du robinet de vidange d'huile.

10. Déposez le tube de vidange d'huile sur le robinet de vidange d'huile.
11. Changez l'huile moteur et contrôlez le niveau d'huile du moteur. Reportez-vous à la section *Pour contrôler le niveau d'huile moteur à la page 99.*
12. Installez le bouchon du réservoir d'huile et la jauge.

Remarque: Pour en savoir plus sur l'élimination de l'huile moteur usagée, reportez-vous à la section *Mise au rebut à la page 104.*

Lubrification, informations générales

- Retirez la clé de contact afin d'éviter tout mouvement accidentel durant la lubrification.
- Nettoyez la surface avant de lubrifier une pièce du produit.
- Utilisez de l'huile dans un bidon d'huile lorsque vous lubrifiez.
- Lorsque vous lubrifiez avec de la graisse, utilisez une graisse pour roulement à billes ou pour châssis qui évite la corrosion. Retirez l'excès de graisse après la lubrification.
- Lubrifiez 2 fois par semaine si vous utilisez le produit tous les jours.
- Ne renversez pas de lubrifiant sur les courroies d'entraînement ou les rainures des poulies de courroie. Si vous renversez du lubrifiant, nettoyez avec de l'alcool. Si le frottement entre la courroie d'entraînement et la poulie n'est pas suffisant après avoir nettoyé avec de l'alcool, remplacez la courroie d'entraînement.



REMARQUE: n'utilisez pas d'essence ou d'autre produit pétrolier pour nettoyer les courroies d'entraînement.

Calendrier de lubrification

(Fig. 2)

Reportez-vous à la section	Lubrification	Intervalle			
		Tous les jours	Toutes les 25 heures	Toutes les 50 heures	Toutes les 200 heures
A	Lubrifiez de nouveau le raccord de graissage sur l'axe de pivotement avec un pistolet à graisse.		X		
B	Contrôlez le niveau d'huile.	X			
C	Remplacez le filtre à huile.				X

Utilisez toujours de la graisse de bonne qualité. Utilisez toujours l'huile recommandée, reportez-vous à *Caractéristiques techniques à la page 105.*

Pour lubrifier les roues avant

- Graissez le graisseur (A) à l'aide d'un pistolet à graisse jusqu'à ce que la graisse sorte de la rondelle supérieure. (Fig. 59)
- Lubrifiez le palier d'articulation des roues avant (B) à l'aide d'un pistolet à graisse jusqu'à ce que de la graisse soit expulsée.

Dépannage

Schéma de dépannage

Si vous ne trouvez pas de solution à votre problème dans ce manuel de l'opérateur, contactez votre atelier spécialisé Husqvarna.

Problème	Causes
Le moteur ne démarre pas.	L'entraînement des lames est enclenché. Reportez-vous à la section <i>Interrupteur de PDF (prise de force)</i> à la page 84.
	Les leviers de commande ne sont pas bloqués en position extérieure.
	La batterie est trop faible. Reportez-vous à la section <i>Pour charger la batterie</i> à la page 97.
	Il y a des saletés dans le carburateur ou dans la conduite de carburant.
	La soupape d'arrêt de carburant est fermée ou en position incorrecte.
	La conduite de carburant ou le filtre à carburant est bouché.
	Le système d'allumage est endommagé.
Le démarreur ne fait pas démarrer le moteur.	La batterie est trop faible. Reportez-vous à la section <i>Pour charger la batterie</i> à la page 97.
	La connexion au niveau des connecteurs de câbles sur les bornes de la batterie est mauvaise. Reportez-vous à la section <i>Pour nettoyer la batterie</i> à la page 96.
	Un fusible est grillé. Reportez-vous à la section <i>Fusibles</i> à la page 84.
	L'OPC ne fonctionne pas correctement. Reportez-vous à la section <i>Contrôle de présence de l'utilisateur (OPC)</i> à la page 83.
Le moteur ne tourne pas correctement.	Le carburateur est mal réglé.
	Le filtre à carburant ou le gicleur de carburant est obstrué.
	Le levier d'accélération est en position de démarrage par temps froid.
	Le clapet anti-retour sur le bouchon du réservoir de carburant est obstrué.
	Le réservoir de carburant est presque vide.
	La bougie d'allumage est endommagée.
	Mélange de carburant ou type de carburant incorrect.
	De l'eau est présente dans le carburant.
	Le filtre à air est bouché.

Problème	Causes
Le moteur semble ne pas avoir de puissance.	Le filtre à air est bouché.
	La bougie d'allumage est endommagée.
	Le carburateur est mal réglé.
	De l'air est présent dans le circuit hydraulique.
Il y a des vibrations dans le produit.	Les lames ont du jeu. Reportez-vous à la section <i>Pour examiner les lames à la page 98.</i>
	Une ou plusieurs lames sont déséquilibrées. Reportez-vous à la section <i>Pour examiner les lames à la page 98.</i>
	Le moteur est desserré.
Le moteur devient trop chaud.	Le filtre à air ou les ailettes de refroidissement sont obstrués.
	Il y a une surcharge dans le moteur.
	Le débit d'air autour du moteur n'est pas suffisant.
	Le régulateur de la vitesse du moteur est endommagé.
	Le niveau d'huile est trop bas.
	Il y a des saletés dans la conduite de carburant.
	La bougie d'allumage est endommagée.
La batterie ne se charge pas.	La connexion au niveau des connecteurs de câbles sur les bornes de la batterie est mauvaise. Reportez-vous à la section <i>Pour nettoyer la batterie à la page 96.</i>
	Le câble de charge est déconnecté.
La machine se déplace lentement, à une vitesse irrégulière ou pas du tout.	Les tringles de dérivation sont engagées.
	La courroie d'entraînement sur la transmission est desserrée ou endommagée.
	De l'air est présent dans le circuit hydraulique.
L'entraînement des lames n'est pas engagé.	La courroie d'entraînement de l'unité de coupe est desserrée.
	Le contact de l'accouplement électromagnétique est desserré.
	L'entraînement de la lame est endommagé ou desserré au niveau des connecteurs de câble.
	Un fusible est grillé.
La boîte-pont présente une fuite d'huile.	Les joints, le boîtier ou les joints sont endommagés.
	De l'air est présent dans le circuit hydraulique.

Problème	Causes
Le résultat de la tonte n'est pas satisfaisant.	La pression des pneus est différente sur les côtés droit et gauche. Reportez-vous à la section <i>Pression des pneus à la page 98</i> .
	Les lames sont endommagées.
	La suspension du carter de coupe n'est pas de niveau.
	Les lames sont émoussées. Reportez-vous à la section <i>Pour examiner les lames à la page 98</i> .
	La machine est utilisée à une vitesse trop élevée en marche avant et en marche arrière. Reportez-vous à la section <i>Pour obtenir de bons résultats de tonte à la page 93</i> .
	L'herbe est haute. Reportez-vous à la section <i>Pour obtenir de bons résultats de tonte à la page 93</i> .
	Le carter de coupe est bloqué par de l'herbe coupée. Reportez-vous à la section <i>Nettoyage du produit à la page 96</i> .

Transport, entreposage et mise au rebut

Transport

- La machine est lourde et peut causer des blessures par écrasement. Soyez prudent lorsque vous chargez ou déchargez la machine d'un véhicule ou d'une remorque.
- Chargez le produit en marche arrière sur des rampes approuvées pour un angle de fonctionnement maximal de 10°. Ne soulevez pas le produit.
- Utilisez une remorque approuvée pour le transport de la machine.
- Assurez-vous d'avoir connaissance de la réglementation routière locale avant de transporter la machine dans une remorque ou sur les routes.
- Arrêtez l'alimentation en carburant du produit.
- Verrouillez le produit à l'aide de dispositifs approuvés, tels que des sangles. Utilisez les points d'arrimage sur le produit. Le frein de stationnement n'est pas suffisant pour sécuriser le produit pendant son transport.

Pour remorquer la machine



AVERTISSEMENT: Avant de remorquer le produit, vous devez lire et comprendre le chapitre sur la sécurité. Reportez-vous à la section *Sécurité lors du remorquage à la page 90*.

- Soyez prudent lorsque vous remorquez le produit.
- Faites fonctionner le produit lentement lorsque vous le remorquez.

- La distance de freinage augmente lorsque vous remorquez le produit. Veillez à réduire la vitesse à temps.
- Pour un fonctionnement sûr, effectuez des virages larges.
- Ne remorquez pas le long de fossés, d'étendues d'eau et d'autres zones dangereuses.

Remisage

Préparez le stockage du produit à la fin de la saison, et avant plus de 30 jours de stockage. Si vous conservez du carburant dans le réservoir pendant 30 jours ou plus, des particules collantes peuvent obstruer le carburateur. Cela impacte négativement le fonctionnement du moteur.

Afin d'éviter la formation de particules collantes durant la période d'entreposage, ajoutez un stabilisateur. Si vous utilisez de l'essence d'alkylate, il n'est pas nécessaire d'ajouter un stabilisateur. Si vous utilisez de l'essence normale, ne passez pas à l'essence d'alkylate. Cela peut provoquer le durcissement des pièces sensibles en caoutchouc. Ajoutez un stabilisateur au carburant présent dans le réservoir ou dans le récipient utilisé pour l'entreposage. Respectez toujours les rapports de mélange indiqués par le fabricant. Ajoutez le stabilisateur et faites tourner le moteur pendant au moins 10 minutes, jusqu'à ce que le carburant s'écoule dans le carburateur.



AVERTISSEMENT: Ne stockez pas le produit à l'intérieur ou dans un environnement mal aéré si du carburant se trouve dans le réservoir. Il existe un risque d'incendie si les vapeurs

de carburant entrent en contact avec une flamme nue, des étincelles ou une flamme pilote de chaudière, de réservoir d'eau chaude, de sèche-linge, etc.

- Envoyez la batterie à un agent d'entretien Husqvarna ou disposez-la dans un point de collecte de piles usagées.



AVERTISSEMENT: Enlevez de la machine les résidus d'herbe, les feuilles et autres matériaux inflammables afin de réduire le risque d'incendie. Laissez la machine refroidir avant de la remiser.

- Nettoyez le produit, reportez-vous à la section *Nettoyage du produit à la page 96*.
- Déposez les matériaux indésirables du ventilateur de refroidissement.
- Retouchez la peinture en cas de dommage pour éviter la corrosion.
- Examinez la machine afin de repérer des pièces éventuellement usées ou endommagées et serrez tous les écrous ou vis susceptibles de s'être desserrés.
- Retirez la batterie. Nettoyez-la, chargez-la et laissez-la refroidir pendant la période de remisage.
- Remplacez l'huile moteur et mettez au rebut l'huile usagée.
- Videz le réservoir de carburant. Démarrez le moteur et laissez-le tourner jusqu'à ce qu'il n'y ait plus de carburant restant dans le carburateur.

Remarque: Ne videz pas le réservoir de carburant et le carburateur si vous avez ajouté un stabilisateur.

- Retirez les bougies et versez une cuillerée à soupe d'huile moteur dans chaque cylindre. Tournez l'arbre moteur pour appliquer l'huile et remettez les bougies en place.
- Lubrifiez tous les raccords de graissage, les joints et les arbres.
- Entreposez la machine dans un endroit propre et sec et recouvrez-la pour la protéger davantage.

Mise au rebut

- Les produits chimiques peuvent être dangereux et ne doivent pas être jetés sur le sol. Apportez toujours les produits chimiques à mettre au rebut à un centre d'entretien ou à une déchetterie appropriée.
- Lorsque la machine est usée, renvoyez-la à votre revendeur ou dans une déchetterie appropriée.
- L'huile, les filtres à huile, le carburant et la batterie peuvent avoir des effets négatifs sur l'environnement. Respectez les consignes locales de recyclage et la réglementation en vigueur.
- Ne jetez pas la batterie dans les déchets ménagers.

Caractéristiques techniques

Caractéristiques techniques

	Z242F
Moteur	
Marque/modèle	Kawasaki/FR651V
Puissance nominale du moteur, ch / kW ⁵³	18,6 / 13,9
Cylindrée, cm ³	726
Régime max. du moteur, tr/min	2 800 ± 100
Carburant, indice d'octane min. sans plomb, 10 % d'éthanol max, 15 % de MTBE max	87
Volume du réservoir, gallons / l	3,5 / 13,3
Huile	Classe SF, SG, SH, SJ ou SL SAE40, SAE30, SAE20W-50, SAE10W-40, SAE10W-30, SAE5W-20
Volume d'huile avec filtre, oz / l	70,4 / 2,1
Volume d'huile sans filtre, oz / l	60,8 / 1,8
Système de lubrification	Pression avec filtre à huile
Système de refroidissement	Refroidi à l'air
Filtre à air	Standard
Alternateur, V. amp. à 3 600 tr/min	12 V 15 amp à 3 600 tr/min
Démarrage du moteur	Démarrage électrique, 12 V
Dimensions	
Longueur, po / cm	75 / 191
Largeur, po / cm	41,5 / 105,4
Largeur avec goulotte relevée, po / cm	48 / 121,9
Largeur avec goulotte abaissée, po / cm	56 / 142,24
Hauteur, mm	40 / 102
Poids avec réservoirs vides, lb / kg	560 / 254
Inclinaison max., degrés °	10
Largeur de coupe, po. / cm	42 / 107
Hauteur de coupe, po. / cm	1,5 - 4 / 3,8 - 10,2
Carter de coupe	
Construction de l'unité	Fabriquée
Nombre de lames	2

⁵³ La puissance nominale indiquée par le fabricant des moteurs correspond à la puissance de sortie brute moyenne à un régime en tr/min spécifié d'un moteur de production typique pour le modèle de moteur mesuré selon la norme SAE pour la puissance brute des moteurs. Référez-vous au manuel du fabricant du moteur pour connaître les spécifications moteur.

	Z242F
Longueur de lame, po. / cm	20,9 / 53,1
Engagement de la lame	Embrayage électromagnétique
Productivité, acres/h / m. ² /h	2,2 / 8 903,08
Pneus	
Pression des pneus, avant – arrière, kPa / PSI / bar	103 / 15 / 1
Pneus des roulettes avant, po	11 x 6-5
Pneus arrière, pneus gazon pneumatiques, po.	18 x 8,5-8
Rouleau anti-arrachement	1 réglables
Transmission	
Transmission	Boîtes-ponts hydrostatiques
Commande de direction	Leviers doubles, grippage mousse
Vitesse maximale en marche avant, mi/h / km/h	6,5 / 10,5
Vitesse maximale en marche arrière, mi/h / km/h	3,25 / 5,23
Freins	Frein de stationnement mécanique
Système électrique	
Type	12 V
Batterie	28 A
Bougie	NGK BPR4ES
Écartement des électrodes, po / mm	0,030 / 0,76
Couple de la bougie d'allumage, lb-ft / Nm	16 / 22
Émissions sonores ⁵⁴	
Niveau de puissance sonore mesuré dB (A)	100
Niveau de puissance sonore garanti, dB(A)	100
Niveaux de vibrations ⁵⁵	
Niveau de vibrations dans le volant, en m/s ²	1,30
Niveau de vibrations dans le siège, en m/s ²	0,53

⁵⁴ Émissions sonores dans l'environnement mesurées comme puissance sonore (L_{WA}) selon la directive européenne 2000/14/CE. Le niveau de puissance sonore reporté pour la machine a été mesuré avec l'accessoire de coupe d'origine qui donne le niveau le plus élevé. Le niveau de puissance sonore garanti diffère du niveau mesuré en cela qu'il prend également en compte la dispersion et les variations d'une machine à l'autre du même modèle, conformément à la directive 2000/14/CE.

⁵⁵ Les données reportées pour le niveau de vibrations montrent une dispersion statistique typique (déviation standard) de 1 m/s² (volant) et de 0,8 m/s² (siège).

Durées de charge de la batterie

Batterie standard	État de charge	Temps de charge approximatif de la batterie jusqu'à pleine charge à 80 °F / 26 °C ⁵⁶			
		Taux maximum à :			
		50 A	30 A	20 A	10 A
12,6 V	100 %	Batterie complètement chargée			
12,4 V	75 %	20 min	35 min	48 min	90 min
12,2 V	50%	45 min	75 min	95 min	180 min
12,0 V	25 %	65 min	115 min	145 min	280 min
11,8 V	0 %	85 min	150 min	195 min	370 min

Entretien

Entretien

Faire un contrôle annuel dans un service technique agréé pour vous assurer que le produit fonctionne correctement en ce qui concerne la sécurité et à son meilleur pendant la haute saison. Le meilleur moment pour faire de l'entretien ou la réparation de ce produit est basse saison.

Lorsque vous envoyez un ordre pour les pièces de rechange, fournir des informations sur l'année d'achat, le modèle, le type et le numéro de série.

Utilisez toujours les pièces de rechange d'origine.

⁵⁶ Le temps de charge de la batterie peut être différent en fonction de la capacité de la batterie, de l'état, de l'âge, de la température et de l'efficacité du chargeur.

Déclaration de conformité UE

Nous, Husqvarna AB, SE 561 82 Huskvarna, SUÈDE, déclarons sous notre responsabilité exclusive que le produit représenté :

Description	Tondeuse autoportée alimentée par moteur à combustion pour conducteur assis
Marque	Husqvarna
Plate-forme / Type / Modèle	Z242F
Lot	Numéro de série à partir de 2023

est entièrement conforme à la réglementation et aux directives de l'UE suivantes :

Directive/Réglementation	Description
2006/42/EC	« relative aux machines »
2011/65/UE	« relative à la limitation de l'utilisation de certaines substances dangereuses »
2014/30/UE	« relative à la compatibilité électromagnétique »
2000/14/CE, 2005/88/CE	« relative au bruit extérieur »

Les normes harmonisées et/ou les spécifications techniques appliquées sont comme suit : EN ISO 12100:2010, EN ISO 14982:2009, EN ISO 5395-1:2013/A1:2018, EN ISO 5395-3:2013/A1:2017/A2:2018, EN ISO 3744:2010, EN ISO 11094:1991, EN 1032:2009, EN IEC 63000:2018.

Conformément à la directive 2000/14/CE, Annexe VI, les valeurs sonores déclarées sont stipulées dans la section Caractéristiques techniques de ce manuel et dans la Déclaration de Conformité signée de l'UE.

La tondeuse autoportée alimentée par moteur à combustion pour conducteur assis fournie correspond à l'exemplaire soumis à l'examen.

Pour le compte de Husqvarna AB, SE 561 82 Huskvarna, SUÈDE, Huskvarna, 2023-07-26



Claes Losdal

Responsable de la documentation technique



Schémas

Schéma électrique

(Fig. 3)

Sommario

Introduzione.....	109	Dati tecnici.....	130
Sicurezza.....	111	Assistenza.....	132
Utilizzo.....	117	Dichiarazione di conformità UE.....	133
Manutenzione.....	119	Schemi.....	133
Ricerca guasti.....	126	Appendice	158
Trasporto, stoccaggio e smaltimento.....	128		

Introduzione

Ispezione di preconsegna e numeri di prodotto

Un'ispezione di preconsegna è stata effettuata per questo prodotto. Assicurarsi di ricevere una copia

firmata del documento di ispezione pre-consegna dal rivenditore.

Informazioni di contatto dell'officina:	
Il presente manuale dell'operatore si riferisce al prodotto con codice/numero di serie:	
/	
Motore:	
Trasmissione:	

I numeri del prodotto sono indicati sulla piastrina modello. Fare riferimento a *Panoramica del prodotto alla pagina 109* per la posizione della piastrina modello.

prodotto e regolarne la velocità. Il contatore indica le ore di utilizzo del prodotto.

Descrizione del prodotto

Il prodotto è un trattorino rasaerba. Le leve di comando consentono all'operatore di spostare il

Uso previsto

Questo prodotto è stato realizzato per falciare l'erba su terreni aperti e piani. Non utilizzare il prodotto per altre attività.

Panoramica del prodotto

(Fig. 1)

1. Leve di comando
2. Freno di stazionamento
3. Comando di allineamento
4. Leva di sollevamento del piatto
5. Fusibili
6. Leveraggio di bypass
7. Valvola di esclusione carburante
8. Serbatoio del carburante
9. Comando della valvola dell'aria
10. Comando dell'acceleratore
11. Contatore
12. Interruttore di accensione
13. Pulsante della presa di forza
14. Piastrina modello

del prodotto alla pagina 109. Le leve di comando possono essere spostate in posizione di avanzamento e di arretramento dalla posizione di folle. Fare riferimento a *Utilizzo del prodotto alla pagina 118.*

Controllo presenza operatore (OPC)

Il Controllo presenza operatore (OPC) si attiva quando l'operatore si alza dal sedile. Il motore e l'azionamento delle lame si arrestano se le lame sono innestate o se il freno di stazionamento non è inserito. Fare riferimento a *Condizioni operative alla pagina 114.*

Comandi dello sterzo

La direzione del prodotto è controllata dalle 2 leve di comando. Fare riferimento a *Panoramica*

Chiave di accensione

La chiave di accensione ha 4 posizioni:

- Posizione di avviamento (A)
- Posizione di funzionamento (B)
- Posizione fari anteriori (C)
- Posizione di arresto (D)

(Fig. 35)

Fari anteriori

(Fig. 35)

- Girare la chiave di accensione in posizione fari anteriori (C) per azionare il prodotto con i fari anteriori accesi.
- Girare la chiave di accensione in posizione di funzionamento (B) per azionare il prodotto con i fari anteriori spenti.

Comando dell'acceleratore

Il comando dell'acceleratore regola il regime del motore e la velocità delle lame se le lame sono innestate. Il comando dell'acceleratore è dotato di 2 posizioni finali, regime minimo e massima velocità. (Fig. 36)

- Regime minimo (A) - diminuisce il regime del motore.
- Massima velocità (B) - aumenta il regime motore.



ATTENZIONE: Non far funzionare il motore a regime minimo (A) per un periodo di tempo più lungo del necessario. Un tempo di funzionamento eccessivo a regime minimo può ridurre la durata degli elettrodi delle candele.

Comando della valvola dell'aria

Il comando della valvola dell'aria viene utilizzato per le partenze a freddo per fornire più carburante al motore. Sollevare il comando della valvola dell'aria durante l'avviamento del motore a freddo.

Fare riferimento a *Panoramica del prodotto alla pagina 109* per la posizione del comando della valvola dell'aria.

Pulsante PTO (presa di forza)

Il pulsante della presa di forza innesta e disinnesta la frizione della presa di forza e il piatto di taglio o altre attrezzature ad esso collegate. È necessario rispettare le corrette condizioni di avviamento per inserire la rotazione delle lame. Per informazioni sulle condizioni di avviamento corrette, fare riferimento a *Condizioni operative alla pagina 114*.

- Estrarre il pulsante della presa di forza per azionare la trasmissione sulle lame o altre attrezzature.

(Fig. 37)

- Premere il pulsante della presa di forza per disinnestare la trasmissione dalle lame o da altre attrezzature.

(Fig. 38)

Valvola di esclusione carburante

Fare riferimento a *Panoramica del prodotto alla pagina 109* per la posizione della valvola di esclusione carburante.

La valvola di esclusione carburante è chiusa quando la linguetta sulla manopola è perpendicolare alla tubazione del carburante.

Fusibili

I fusibili si trovano nella scatola fusibili. La scatola fusibili si trova sotto il sedile. Inclinare il sedile in avanti per accedere alla scatola fusibili. Fare riferimento all'etichetta sulla scatola fusibili per l'identificazione dei diversi fusibili.

Contatore

Il prodotto è dotato di un contatore che indica quante ore di funzionamento sono state impiegate dalle lame. Fare riferimento a *Panoramica del prodotto alla pagina 109* per la posizione del contatore.

(Fig. 39)

Ogni 50 ore un simbolo del livello dell'olio viene visualizzato per 2 ore. Fare riferimento a *Controllo del livello dell'olio motore alla pagina 124*.

Simboli riportati sul prodotto

(Fig. 4) **AVVERTENZA:** questo prodotto può essere pericoloso e causare lesioni gravi o mortali all'operatore o a terzi. Prestare attenzione e utilizzare il prodotto correttamente.

(Fig. 5) Utilizzare occhiali protettivi.

(Fig. 6) Freno di stazionamento.

(Fig. 7) Regime motore: alto.

(Fig. 8) Lento.

(Fig. 9) Comando dell'aria.

(Fig. 10) Carburante.

(Fig. 11) Usare guanti protettivi.

(Fig. 12) Spegnerne il motore prima della manutenzione.

(Fig. 13) Non utilizzare il prodotto senza deflettore o raccogliërba.

(Fig. 14) Indossare sempre protezioni acustiche approvate.

(Fig. 15) Non mettere il piede qui.

(Fig. 16)	Cambio in folle.	(Fig. 31)	Il presente prodotto è conforme alle direttive del Regno Unito vigenti.
(Fig. 17)	Retromarcia.	(Fig. 32)	Tenersi lontano dal piatto di scarico.
(Fig. 18)	Leggere attentamente il manuale operatore e accertarsi di aver compreso le istruzioni prima di utilizzare il prodotto.	(Fig. 33)	Avvertenza! L'acido della batteria è corrosivo, esplosivo e infiammabile.
(Fig. 19)	Mantenere una distanza di sicurezza dal prodotto.	(Fig. 34)	Tenere il corpo lontano dalle parti rotanti.
(Fig. 20)	Non utilizzare il prodotto su terreni con pendenze superiori a 10°.	aaaassxxxx	La targhetta dati di funzionamento mostra il numero di serie. yyyy è l'anno di produzione e ww è la settimana di produzione.
(Fig. 21)	Non trasportare passeggeri.		
(Fig. 22)	Attenzione all'espulsione o al rimbalzo di oggetti.		
(Fig. 23)	Tenere lontani mani e piedi.		
(Fig. 24)	Tenere mani e piedi lontani da parti rotanti.		
(Fig. 25)	Fare attenzione a persone e animali quando si utilizza il prodotto in avanzamento.		
(Fig. 26)	Fare attenzione a persone e animali quando si utilizza il prodotto in arretramento.		
(Fig. 27)	Altezza di taglio bassa.		
(Fig. 28)	Altezza di taglio alta.		
(Fig. 29)	Livello potenza acustica.		
(Fig. 30)	Il prodotto è conforme alle direttive CE vigenti.		

Nota: Altri simboli o decalcomanie sul prodotto riguardano particolari requisiti necessari per la certificazione in determinate aree commerciali.

Danni al prodotto

Non siamo responsabili dei danni al prodotto se:

- Il prodotto viene riparato in modo errato.
- Il prodotto viene riparato con parti che non provengono o non sono omologate dal produttore.
- Il prodotto contiene un accessorio che non proviene o non è omologato dal produttore.
- Il prodotto non viene riparato presso un centro di assistenza autorizzato o presso un'autorità competente.

Emissioni Euro V



AVVERTENZA: La manomissione del motore rende nulla l'omologazione UE del prodotto.

Sicurezza

Definizioni di sicurezza

Le avvertenze, le precauzioni e le note sono utilizzate per evidenziare le parti importanti del manuale.



AVVERTENZA: Utilizzato se è presente un rischio di lesioni o morte dell'operatore o di passanti nel caso in cui le istruzioni del manuale non vengano rispettate.



ATTENZIONE: Utilizzato se è presente un rischio di danni al prodotto,

ad altri materiali oppure alla zona adiacente nel caso in cui le istruzioni del manuale non vengano rispettate.

Nota: Utilizzato per fornire ulteriori informazioni necessarie in una determinata situazione.

Istruzioni di sicurezza generali



AVVERTENZA: Leggere le seguenti avvertenze prima di utilizzare il prodotto



AVVERTENZA: Il mancato rispetto delle procedure di sicurezza durante l'uso può provocare gravi lesioni all'operatore o ad altre persone. Il proprietario deve leggere attentamente queste istruzioni e consentire l'uso del tagliaerba esclusivamente a persone autorizzate che abbiano letto e compreso queste istruzioni. Tutte le persone che utilizzano il tagliaerba devono essere in buone condizioni fisiche e mentali e non essere sotto l'effetto di farmaci, alcool o sostanze stupefacenti.



AVVERTENZA: Il prodotto ha una potenza sufficiente per amputare mani o piedi e scagliare violentemente gli oggetti. La mancata osservanza delle seguenti norme di sicurezza può essere causa di lesioni gravi o addirittura mortali.

- Leggere, comprendere e seguire le istruzioni e le avvertenze riportate nel presente manuale e sul prodotto, sul motore e sugli accessori.
- Il prodotto deve essere utilizzato esclusivamente da persone formate responsabili che abbiano dimestichezza con le istruzioni.
- Assicurarsi di informare una persona che si intende utilizzare il prodotto, qualora si verifichino infortuni o incidenti.
- Non trasportare passeggeri e tenere lontane le persone.
- Non utilizzare il prodotto sotto l'effetto di farmaci o alcolici.
- Rispettare le raccomandazioni del produttore relativamente a pesi delle ruote o contrappesi.
- Apprendere l'uso del prodotto e i comandi e imparare come arrestare il prodotto rapidamente.
- Apprendere a riconoscere le decalcomanie di sicurezza.
- Conservare il prodotto pulito in modo che sia possibile leggere chiaramente i simboli e gli adesivi.
- Tenere presente che l'operatore potrà essere ritenuto responsabile di eventuali incidenti che coinvolgano altre persone o i loro beni.
- Utilizzare il prodotto solo alla luce solare o in altre condizioni di sufficiente illuminazione. Tenere il prodotto a distanza di sicurezza da buche o altre irregolarità nel suolo. Prestare attenzione ad altri possibili rischi.
- Non consentire ai bambini, o ad altre persone non autorizzate all'utilizzo del prodotto, di utilizzarlo o eseguirne la manutenzione. Possono essere in vigore norme locali che limitano l'età dell'operatore.

- Accertarsi che nessuno si trovi nelle vicinanze del prodotto quando si accende il motore, si innesta la trazione o si sposta il prodotto.
- Tenere d'occhio il traffico quando si taglia in prossimità di una strada o la si attraversa.
- Non utilizzare mai il prodotto in condizioni di stanchezza oppure sotto l'effetto di alcolici, stupefacenti o farmaci in grado di compromettere la vista, l'attenzione, la coordinazione o il giudizio.
- Parcheggiare sempre il prodotto su una superficie piana con il motore spento.
- Non apportare modifiche al prodotto.
- Non utilizzare mai il prodotto se è possibile che altre persone vi abbiano apportato modifiche.

Istruzioni di sicurezza relative ai bambini



AVVERTENZA: I bambini possono subire lesioni gravi o mortali. Leggere le seguenti avvertenze prima di utilizzare il prodotto. Tenere lontani i bambini.

- La mancata attenzione a bambini nelle vicinanze della macchina può provocare tragici incidenti. I bambini sono spesso attratti dal prodotto e dall'attività di taglio. Non presumere mai che i bambini resteranno nel punto in cui sono stati visti l'ultima volta.
- Tenere i bambini lontani dall'area operativa e farli sorvegliare da un adulto responsabile che non sia l'operatore.
- Restare vigili e arrestare il prodotto immediatamente se i bambini accedono all'area di lavoro. Prestare estrema attenzione nei pressi di angoli, cespugli, alberi o altri oggetti che ostacolano la visuale.
- Prestare particolare attenzione nelle vicinanze di angoli ciechi, cespugli, alberi o altri oggetti che potrebbero limitare la visibilità e impedire di vedere un bambino.
- Prima e durante lo spostamento del prodotto in retromarcia, guardare indietro e in basso per individuare l'eventuale presenza di bambini piccoli.
- Non lasciare che i bambini utilizzino il prodotto.
- L'American Academy of Pediatrics sconsiglia l'utilizzo di trattorini tagliaerba ai minori di 16 anni.
- Non trasportare mai i bambini, nemmeno con le lame disinserite. Potrebbero cadere e subire gravi lesioni oppure impedire una manovra sicura del prodotto. I bambini che sono stati fatti salire sul prodotto in precedenza possono comparire improvvisamente nell'area di taglio per ripetere l'esperienza e possono essere travolti in marcia avanti o retromarcia.

Istruzioni di sicurezza per l'uso



AVVERTENZA: Leggere le seguenti avvertenze prima di utilizzare il prodotto.



AVVERTENZA: Non toccare il motore o il sistema di scarico durante o subito dopo l'utilizzo. Il motore e l'impianto di scarico diventano molto caldi durante l'uso. Rischio di ustioni, incendi e danni alla proprietà o alle zone adiacenti. Mentre si utilizza il prodotto, tenersi lontani da cespugli e altri oggetti.

- Utilizzare il motore solo in aree ben ventilate. I gas di scarico contengono monossido di carbonio, un veleno mortale.
- Utilizzare il prodotto soltanto alla luce diurna oppure se l'illuminazione artificiale è sufficiente.
- Liberare l'area da oggetti come pietre, giocattoli, fili, ecc. che possono rimanere incastrati nelle lame ed essere scagliati in aria.
- Evitare buche, radici, rilievi, pietre o altri oggetti nascosti. I terreni irregolari possono ribaltare il prodotto o causare la perdita di equilibrio o di appoggio da parte dell'operatore.
- Non infilare mani o piedi nelle parti rotanti o sotto il prodotto. Restare sempre lontani dall'apertura di scarico.
- Non azionare il prodotto senza il raccoglierba completo, la protezione dello scarico o gli altri dispositivi di sicurezza installati e funzionanti.
- Non dirigere lo scarico del materiale verso altre persone. Evitare di scaricare il materiale contro un muro o un'ostruzione. Il materiale può rimbalzare nella direzione dell'operatore. Arrestare le lame quando si attraversano superfici in ghiaia.
- Non lasciare mai incustodito un prodotto acceso. Parcheggiare sempre in piano, disinserire l'accessorio, inserire il freno di stazionamento e arrestare il motore.
- Non tagliare in retromarcia a meno che non sia assolutamente necessario. Durante le manovre in retromarcia, controllare sempre l'area sottostante e circostante la macchina.
- Ridurre la velocità prima di svoltare.
- Ridurre la velocità prima di svoltare ad angolo.
- I dati dimostrano che gli operatori di età superiore a 60 anni sono coinvolti in percentuale maggiore in incidenti e infortuni correlati all'utilizzo dei tagliaerba. Questi operatori devono valutare le proprie capacità di utilizzare il trattorino tagliaerba in modo sufficientemente sicuro per proteggere se stessi e gli altri da eventuali lesioni.

Istruzioni di sicurezza per l'utilizzo in pendenza



AVVERTENZA: Leggere le seguenti avvertenze prima di utilizzare il prodotto.

Le pendenze sono un fattore importante per gli incidenti. Procedere con la massima cautela sui pendii.

- Spostarsi nella direzione consigliata dal produttore su pendenze. Prestare attenzione durante il funzionamento in prossimità di dislivelli.
- Non tagliare erba bagnata. Gli pneumatici possono perdere trazione.
- Non utilizzare il prodotto in condizioni in cui siano presenti trazione, sterzata o stabilità precarie. Gli pneumatici potrebbero slittare anche se le ruote sono ferme.
- Tenere sempre il prodotto con la marcia ingranata quando si guida su un pendio. Non procedere in discesa.
- Non avviare o arrestare il prodotto sulle pendenze. Non effettuare bruschi cambiamenti di velocità o di direzione di marcia. Effettuare le svolte lentamente e gradualmente.
- Se gli pneumatici perdono trazione, disinnestare le lame e proseguire lentamente la discesa in linea retta.
- Prestare la massima attenzione quando si aziona il prodotto con raccoglierba o altri accessori. Questi possono modificare la stabilità del prodotto.
- La falciatura dell'erba su terreni in pendenza aumenta il rischio di perdita di controllo e di ribaltamento del prodotto. Ciò può causare lesioni anche mortali. È necessario falciare l'erba con cautela su qualsiasi terreno in pendenza. Se non è possibile effettuare la retromarcia su un terreno in pendenza o se ci si sente insicuri, non effettuare la falciatura.
- Rimuovere pietre, rami o altri ostacoli.
- Tagliare l'erba sulla pendenza verso l'alto e verso il basso, non da lato a lato.
- Non utilizzare il prodotto su terreni con pendenze superiori a 10°.
- Spostarsi gradualmente e lentamente su terreni in pendenza.
- Evitare di attraversare solchi, buche e dossi. Vi è un rischio più elevato che il prodotto si ribalti su un terreno non piano. L'erba alta può nascondere eventuali ostacoli.
- Non tagliare in prossimità di bordi, fossi o argini. Tenere la macchina lontano da questi pericoli per una distanza pari ad almeno la sua larghezza. Il prodotto può ribaltarsi improvvisamente se una ruota si muove oltre il bordo di una pendenza ripida o un fosso, o se un bordo cede.

Dispositivi di protezione individuale



AVVERTENZA: Leggere le seguenti avvertenze prima di utilizzare il prodotto.

- Usare sempre abbigliamento protettivo personale omologato quando si utilizza il prodotto. L'uso di abbigliamento protettivo personale non elimina il rischio di lesioni, ma ne riduce la gravità in caso di incidente. Farsi consigliare dal rivenditore per la scelta dell'attrezzatura adatta.
- Usare sempre cuffie protettive omologate. Una lunga esposizione al rumore può comportare lesioni permanenti all'udito.
- Indossare sempre occhiali di sicurezza o protezioni per gli occhi quando si utilizza il prodotto o si eseguono manutenzione o riparazioni.
- Indossare sempre scarpe o stivali protettivi. Si raccomanda l'uso di punte in acciaio. Non utilizzare il prodotto a piedi nudi.

(Fig. 40)

- Indossare i guanti quando è necessario, per esempio durante il collegamento, l'ispezione o la pulizia dell'attrezzatura di taglio.
- Non indossare abbigliamento non aderente, gioielli o altri oggetti che potrebbero impigliarsi nelle parti in movimento.
- Non indossare pantaloni corti quando si utilizza il prodotto.
- Tenere a portata di mano il kit di primo soccorso o un estintore.

Dispositivi di sicurezza sul prodotto



AVVERTENZA: Leggere le seguenti avvertenze prima di utilizzare il prodotto.

- Non utilizzare un prodotto usando dispositivi di sicurezza danneggiati o che non funzionano correttamente. Effettuare regolarmente un controllo dei dispositivi di sicurezza. Se i dispositivi di sicurezza sono danneggiati, rivolgersi al tecnico dell'assistenza Husqvarna.
- Non apportare modifiche ai dispositivi di sicurezza. Non utilizzare il prodotto se le piastre di protezione, le coperture, gli interruttori di sicurezza o altri dispositivi di protezione non sono collegati o sono danneggiati.

Per fare un controllo della chiave di accensione

- Avviare e arrestare il motore per controllare la chiave di accensione. Fare riferimento a *Avviamento del motore alla pagina 118* e *Arresto del motore alla pagina 119*.
- Accertarsi che il motore si avvii ruotando la chiave di accensione in posizione Start.

- Accertarsi che il motore si arresti immediatamente quando si posiziona la chiave su Stop.

Condizioni operative

Queste condizioni sono necessarie per avviare il motore:

- Le leve di comando sono in posizione di folle.
- Il freno di stazionamento è azionato.
- La rotazione delle lame è disinserita.
- L'OPC è premuto.

Il motore deve arrestarsi nelle seguenti condizioni:

- Il freno di stazionamento non è premuto e l'operatore si alza dal sedile.
- La rotazione delle lame è inserita e l'operatore abbandona il sedile.

Provare ad avviare il motore senza una delle condizioni. Cambiare condizione e riprovare. Effettuare questo controllo quotidianamente.

Freno di stazionamento



AVVERTENZA: Se il freno di stazionamento non funziona, il prodotto può iniziare a muoversi e causare lesioni o danni. Assicurarsi che il freno di stazionamento venga controllato e regolato periodicamente.

Fare riferimento a *Per controllare il freno di stazionamento alla pagina 122*.

Marmitta



AVVERTENZA: Non utilizzare il prodotto se la marmitta è mancante o danneggiata. Una marmitta danneggiata aumenta il livello acustico e il rischio di incendio.

La marmitta assicura il minimo livello acustico e allontana i fumi di scarico dall'operatore.

Esaminare la marmitta periodicamente per assicurarsi che sia collegata correttamente e che non sia danneggiata.



AVVERTENZA: La marmitta si surriscalda durante e dopo l'uso e quando il motore funziona al regime minimo. Prestare attenzione in prossimità di materiali infiammabili e/o fumi per evitare incendi.

Controllo della marmitta

- Esaminare la marmitta periodicamente per assicurarsi che sia collegata correttamente e che non sia danneggiata.

Parascintille

Questo prodotto è dotato di un motore a combustione interna. Non utilizzare il prodotto in prossimità di vegetazione senza un parascintille approvato dalle leggi locali o statali. Le leggi federali sono valide nelle regioni federali.

Presso il vostro rivenditore autorizzato Husqvarna è disponibile un parascintille per la marmitta.

Coperture protettive

Coperture protettive mancanti o danneggiate aumentano il rischio di lesioni sulle parti in movimento e sulle superfici calde. Controllare le condizioni delle coperture protettive prima di utilizzare il prodotto. Assicurarsi che le coperture protettive siano collegate correttamente e non presentino crepe o altri danni. Sostituire le coperture danneggiate.

Sicurezza per l'uso del carburante



AVVERTENZA: Leggere le seguenti avvertenze prima di utilizzare il prodotto.



AVVERTENZA: Prestare attenzione al carburante. Il carburante è estremamente infiammabile e può provocare lesioni e danni.

- Spegnerne sigarette, sigari, pipe e altre fonti di innesco.
- Usare solo taniche di carburante omologate.
- Non togliere mai il tappo del carburante o aggiungere carburante con il motore acceso o a elevata temperatura.
- Non eseguire il rifornimento di carburante in interni o in spazi chiusi.
- Dopo il rifornimento, riposizionare il tappo del serbatoio e serrarlo saldamente.
- Non immagazzinare il prodotto o le taniche o rifornire il carburante in presenza di fiamme libere, scintille o spie pilota di caldaie o altre apparecchiature.
- In caso di perdite di carburante sugli indumenti, cambiarsi immediatamente.
- In caso di fuoriuscita di carburante, non tentare di avviare il motore ed evitare di creare fonti di accensione fino a quando i vapori di carburante non si sono dissipati.
- Per evitare incendi: rimuovere dal prodotto accumuli di erba, foglie o detriti; pulire le fuoriuscite di olio o carburante e rimuovere eventuali detriti imbevuti di carburante; lasciare raffreddare il prodotto prima del rimessaggio.
- Prestare particolare attenzione quando si utilizzano la scoppio e altri carburanti. Sono infiammabili e i vapori sono esplosivi.

- La scoppio e i vapori della scoppio sono tossici e molto infiammabili. Prestare la massima attenzione alla scoppio per evitare lesioni o incendi.
- Lasciare che il motore si raffreddi prima di effettuare il rifornimento.
- Non effettuare il rifornimento vicino a scintille o fiamme libere.
- In caso di perdite del sistema di alimentazione, non avviare il motore fino a quando le perdite non sono state riparate.
- Non effettuare il rifornimento oltre il livello raccomandato. Il calore del motore e del sole fa espandere il carburante, il quale fuoriesce se il serbatoio si è riempito troppo.
- Riporre il prodotto e il carburante in modo che non vi sia alcun rischio che eventuali perdite di carburante o fumi possano causare danni.

Sicurezza per il trasporto

- Utilizzare un veicolo omologato per il trasporto del prodotto.
- Il prodotto ha un peso elevato e può causare lesioni da schiacciamento. Prestare attenzione durante il caricamento su un veicolo o rimorchio o durante lo scaricamento.
- Le normative nazionali o locali di un mercato possono prevedere limitazioni per il trasporto del prodotto.
- L'operatore del veicolo di trasporto è responsabile del fissaggio sicuro del prodotto durante il trasporto. Fare riferimento a *Trasporto alla pagina 128*.

Traino

- Utilizzare rampe sufficientemente larghe per caricare e scaricare il prodotto per il trasporto.

Sicurezza per il traino

- Seguire le raccomandazioni del fabbricante riguardo ai limiti di peso dell'equipaggiamento trainato e al traino su terreni in pendenza.
- Utilizzare esclusivamente attrezzature di traino approvate da Husqvarna.
- Utilizzare la barra di traino per fissare l'attrezzatura.
- Accertarsi che non vi siano persone nelle vicinanze del prodotto quando si traina l'attrezzatura.
- Non consentire mai ai bambini o ad altre persone di restare a bordo o salire sull'attrezzatura trainata.
- Non eseguire il traino su terreni in pendenza o accidentati. Il peso dell'attrezzatura trainata può far perdere la trazione e il controllo del prodotto.

Sicurezza batterie



AVVERTENZA: Una batteria danneggiata può esplodere e causare lesioni. Se la batteria presenta una deformazione o è danneggiata, rivolgersi a un'officina autorizzata Husqvarna.



AVVERTENZA: Leggere le seguenti avvertenze prima di utilizzare il prodotto.

- Utilizzare occhiali protettivi quando si è in prossimità delle batterie.
- Non indossare orologi, gioielli o altri oggetti metallici nelle vicinanze della batteria.
- Tenere la batteria fuori dalla portata dei bambini.
- Caricare la batteria in un luogo con buon ricambio d'aria.
- Tenere i materiali infiammabili a una distanza minima di 1 m quando si carica la batteria.
- Sostituire le batterie sostituite. Vedere *Smaltimento alla pagina 129*.
- Gas esplosivi possono fuoriuscire dalla batteria. Non fumare in prossimità della batteria. Tenere la batteria lontano da fiamme libere e scintille.

Istruzioni di sicurezza per la manutenzione



AVVERTENZA: Leggere le seguenti avvertenze prima di utilizzare il prodotto.



AVVERTENZA: Il prodotto ha un peso elevato e può causare lesioni o danni alle cose o alla zona adiacente. Non eseguire la manutenzione del motore o del piatto di taglio senza che queste condizioni vengano soddisfatte:

- Il motore è spento.
- Il prodotto è parcheggiato su una superficie piana.
- Il freno di stazionamento è azionato.
- Chiave di accensione in posizione di arresto e rimossa.
- Le lame sono disinserite.
- Tutte le parti mobili sono state arrestate.
- I cavi di accensione sono stati rimossi dalle candele.



AVVERTENZA: La fuoriuscita di liquidi sotto pressione può avere

una forza sufficiente a penetrare nella pelle e causare lesioni gravi. Se il liquido penetra nella pelle, consultare immediatamente un medico. Mantenere il corpo e le mani lontano dai fori per perni o dagli ugelli che espellono il liquido ad alta pressione. In caso di perdita, far eseguire immediatamente la manutenzione del prodotto da un tecnico qualificato.



AVVERTENZA: I fumi di scarico del motore contengono monossido di carbonio, un gas inodore, velenoso ed estremamente pericoloso. Non utilizzare il prodotto in spazi chiusi o con un flusso d'aria insufficiente.

- Mantenere il prodotto in buone condizioni. Sostituire le parti usurate o danneggiate.

Prestare attenzione durante la manutenzione delle lame. Avvolgere le lame o indossare i guanti. Sostituire le lame danneggiate. Non riparare o modificare le lame.

Se in dotazione, scollegare i cavi delle candele e il cavo negativo della batteria prima di eseguire qualsiasi riparazione.

Per garantire le migliori prestazioni e la sicurezza, effettuare la manutenzione del prodotto a intervalli regolari come indicato nel programma di manutenzione. Fare riferimento a *Programma di manutenzione alla pagina 119*.

- Le scosse elettriche possono provocare lesioni. Non toccare i cavi quando il motore è acceso. Non effettuare una prova di funzionamento dell'impianto di accensione con le dita.
- Attendere che il prodotto si raffreddi prima di eseguire la manutenzione vicino al motore.
- Le lame sono affilate e possono causare tagli. Posizionare paraventi attorno alle lame o usare guanti protettivi quando si lavora su di esse.
- Non ribaltare il motore se la candela o il cavo di accensione sono stati rimossi.
- Assicurarsi che tutti i dadi e i bulloni siano serrati correttamente e che l'attrezzatura sia in buone condizioni.
- Non modificare la regolazione dei limitatori. Se il regime del motore è troppo alto, i componenti del prodotto possono danneggiarsi. Fare riferimento a *Dati tecnici alla pagina 130* per informazioni sul regime motore massimo consentito.
- Il prodotto è testato e approvato solo con l'attrezzatura in dotazione o raccomandata dal produttore.

Utilizzo

Introduzione



AVVERTENZA: Prima di utilizzare il prodotto, è necessario leggere e comprendere il capitolo relativo alla sicurezza.



AVVERTENZA: Il motore e l'impianto di scarico diventano molto caldi durante l'uso. Rischio di ustioni. Lasciare raffreddare il motore e il sistema di scarico prima di rifornire il prodotto di carburante.

Primo utilizzo del prodotto



AVVERTENZA: Prima di utilizzare il prodotto per la prima volta, è necessario leggere e comprendere il contenuto del presente capitolo.



AVVERTENZA: Non utilizzare il serbatoio del carburante come superficie di appoggio.

- Utilizzare una velocità dell'acceleratore e una velocità di avanzamento ridotte quando si utilizza il prodotto per la prima volta.
- Non spostare le leve di comando in posizione completamente in avanti o indietro durante la messa in uso.
- Capire come azionare il prodotto su una superficie dura, ad esempio cemento o asfalto, prima di utilizzarlo su un prato per la prima volta.



ATTENZIONE: Un carburante di tipo errato può causare danni al motore.

Cosa fare prima di azionare il prodotto



AVVERTENZA: Prima di utilizzare il prodotto, è necessario leggere e comprendere il capitolo relativo alla sicurezza.

Il motore funziona con benzina con un numero di ottano minimo di 91 RON (87 AKI), non mescolata con olio. Si raccomanda benzina alchilata biodegradabile.

- Effettuare un controllo del livello del carburante prima di ogni utilizzo e rabboccare se necessario.
- Non riempire completamente il serbatoio del carburante. Rabboccare fino all'estremità inferiore del collo del serbatoio.



AVVERTENZA: Prima di utilizzare il prodotto, è necessario assicurarsi che nell'area di lavoro non siano presenti pietre o altri oggetti che possono essere lanciati dalle lame rotanti.

Regolazione del sedile

- Eseguire la manutenzione giornaliera. Fare riferimento a *Programma di manutenzione alla pagina 119*.
- Controllare che nel serbatoio ci sia una quantità sufficiente di carburante.
- Impostare l'altezza di taglio. Fare riferimento a *Impostazione dell'altezza di taglio alla pagina 118*.

1. Sollevare il sedile e rimuovere la manopola di regolazione (A).
2. Allentare la manopola di regolazione del sedile (B). (Fig. 41)
3. Spostare il sedile finché si trova nella posizione corretta.
4. Allineare il foro nella piastra del sedile per la manopola di regolazione (A) con il foro nel sedile.
5. Montare e serrare la manopola di regolazione del sedile (A).
6. Serrare la manopola di regolazione del sedile (B).

Per il rifornimento del carburante



AVVERTENZA: La benzina è altamente infiammabile. Prestare attenzione e fare rifornimento all'aperto, fare riferimento a *Sicurezza per l'uso del carburante alla pagina 115*.

Ripiegare il sedile

Il sedile può essere ripiegato in avanti per accedere alla batteria e al cambio idrostatico.

1. Parcheggiare il prodotto su un terreno piano.
2. Spingere in avanti il sedile per ripiegarlo in avanti.

Inserimento e disinserimento del freno di stazionamento

Questo prodotto non dispone di una leva del freno di stazionamento dedicata. Il freno di stazionamento è integrato nelle 2 leve di comando.

- Allontanare contemporaneamente le 2 leve di comando dal sedile per inserire il freno di stazionamento. Fare riferimento a *Panoramica del prodotto alla pagina 109* per la posizione delle leve di comando.

Nota: Il prodotto deve essere fermo quando si inserisce il freno di stazionamento.

Nota: Il motore si arresta se non si allontanano contemporaneamente le 2 leve di comando dal sedile.

- Tirare le 2 leve di comando nella direzione del sedile per disinserire il freno di stazionamento.

Per inserire e disinserire il sistema di trasmissione



ATTENZIONE: Disinserire o inserire il sistema di trasmissione solo quando il prodotto è parcheggiato su una superficie piana.

Per spostare il prodotto con il motore spento, il sistema di trasmissione deve essere disinserito. Il sistema di trasmissione viene disinserito e inserito dai leveraggi di bypass. I leveraggi di bypass si trovano sotto la protezione posteriore del motore.

Seguire la procedura riportata di seguito per disinserire il sistema di trasmissione.

1. Parcheggiare il prodotto su un terreno piano e spegnere il motore.



AVVERTENZA: Lasciare raffreddare il motore prima di disinserire o inserire il sistema di trasmissione.

2. Rimuovere la chiave di accensione.
3. Portare il piatto di taglio in posizione di trasporto.
4. Portare le leve di comando in posizione di folle.
5. Tirare i leveraggi di bypass verso l'alto facendoli uscire dalle fessure. (Fig. 42)
6. Inserire il sistema di trasmissione nell'ordine inverso.

Impostazione del piatto di taglio in posizione di trasporto o di taglio

Il piatto di taglio deve essere in posizione di trasporto durante il trasporto.

- Per impostare il prodotto in posizione di trasporto, tirare la leva dell'altezza di taglio nella direzione del sedile e posizionarla all'altezza di taglio più alta.
- Per impostare il prodotto in posizione di taglio, impostare l'altezza di taglio corretta. Fare riferimento a *Impostazione dell'altezza di taglio alla pagina 118*.

Impostazione dell'altezza di taglio

1. Tirare la leva dell'altezza di taglio in direzione del sedile. (Fig. 43)
2. Portare la leva dell'altezza di taglio sulla tacca corrispondente all'altezza di taglio corretta.

Avviamento del motore

1. Sedere sul sedile.
2. Spingere il pulsante PTO per disinserire la trasmissione sul piatto di taglio. (Fig. 38)
3. Portare il piatto di taglio in posizione di trasporto. Fare riferimento a *Impostazione del piatto di taglio in posizione di trasporto o di taglio alla pagina 118*.
4. Inserire il freno di stazionamento. Fare riferimento a *Inserimento e disinserimento del freno di stazionamento alla pagina 118*.
5. Spostare la leva dell'acceleratore (A) a $\frac{1}{2}$ della posizione dell'acceleratore. (Fig. 44)
6. Se il motore è freddo, tirare il comando della valvola dell'aria (B) verso l'alto.
7. Premere e girare la chiave di accensione (C) in posizione di avviamento.
8. All'avviamento del motore, rilasciare immediatamente la chiave e riportarla in posizione di funzionamento.

Nota: Non tenere la chiave di accensione in posizione di avviamento per più di 5 secondi per volta. Se il motore non si avvia, attendere 15 secondi prima di riprovare.

9. Se il motore è freddo, premere lentamente il comando della valvola dell'aria verso il basso.
10. Far girare il motore a $\frac{1}{2}$ regime per 3-5 minuti prima di accelerare al massimo.
11. Premere il comando dell'acceleratore al massimo.

Utilizzo del prodotto

1. Avviare il motore. Fare riferimento a *Avviamento del motore alla pagina 118*.
2. Disinserire il freno di stazionamento. Fare riferimento a *Inserimento e disinserimento del freno di stazionamento alla pagina 118*.

3. Spingere con cautela in avanti le 2 leve di comando. Il prodotto inizierà ad avanzare. La velocità di avanzamento aumenta quanto più le 2 leve di comando vengono spinte in avanti. (Fig. 45)
 4. Tirare indietro con cautela le 2 leve di comando. Il prodotto inizierà a muoversi all'indietro. La velocità in retromarcia aumenta quanto più le 2 leve di comando vengono tirate indietro.
 5. Portare le 2 leve di comando in posizione di folle per diminuire la velocità e arrestare il prodotto.
 6. Eseguire le operazioni specificate di seguito per sterzare a sinistra o a destra quando il prodotto si muove in avanti.
 - a) Tirare la leva di comando sinistra all'indietro nella direzione della posizione di folle per far sterzare il prodotto verso sinistra. Più si tira indietro la leva di comando sinistra, più il prodotto sterza a sinistra. (Fig. 46)
 - b) Tirare la leva di comando destra all'indietro nella direzione della posizione di folle per far sterzare il prodotto verso destra. Più si tira indietro la leva di comando destra, più il prodotto sterza a destra. (Fig. 47)
 7. Eseguire le operazioni specificate di seguito per effettuare una sterzata zero.
 - a) Tirare le 2 leve di comando all'indietro nella direzione della posizione di folle per diminuire la velocità o arrestare il prodotto.
 - b) Spostare 1 leva di comando leggermente in avanti e l'altra leva di comando leggermente indietro per eseguire una sterzata zero.
 8. Abbassare il piatto di taglio fino alla posizione di falciatura. Fare riferimento a *Impostazione del piatto di taglio in posizione di trasporto o di taglio alla pagina 118*.
 9. Tirare verso l'alto il pulsante PTO per inserire la rotazione delle lame.
 10. Se è necessario regolare l'altezza di taglio durante il funzionamento, fare riferimento a *Impostazione dell'altezza di taglio alla pagina 118*.
2. Inserire il freno di stazionamento.
 3. Spingere verso il basso il pulsante PTO per disinserire la trasmissione del piatto di taglio. (Fig. 38)
 4. Portare il piatto di taglio in posizione di trasporto.
 5. Muovere l'acceleratore nella posizione del minimo.
 6. Lasciare il motore al minimo per almeno 1 minuto fino a quando non raggiunge la normale temperatura di esercizio.
 7. Girare la chiave d'accensione in posizione stop.
 8. Rimuovere la chiave di accensione quando si è lontani dal prodotto.

Per ottenere un buon risultato di taglio

- Per garantire le migliori prestazioni, effettuare la manutenzione del prodotto a intervalli regolari come indicato nel programma di manutenzione. Fare riferimento a *Manutenzione alla pagina 119*.
- Non tagliare il prato bagnato. L'erba bagnata può dare un cattivo risultato di taglio.
- Iniziare con un'altezza di taglio elevata e ridurla gradualmente.
- Utilizzare l'acceleratore al massimo quando si taglia l'erba.
- Spostare il prodotto in avanti a bassa velocità se l'erba è alta e folta.
- Tagliare l'erba seguendo un pattern irregolare.
- Quando si tagliano aree di grandi dimensioni, spostare il prodotto verso destra mentre si gira 1 o 2 volte intorno all'area di lavoro. Questa procedura consente di mantenere lo scarico dell'erba lontano da arbusti, recinzioni e vialetti. Dopo circa 2 giri intorno all'area di lavoro, tagliare nella direzione opposta. (Fig. 48)
- Quando si utilizza il kit per pacciamatura, falciare più frequentemente l'erba.
- Per ottenere i migliori risultati di taglio, tagliare l'erba frequentemente.

Arresto del motore

1. Spostare le 2 leve di comando in posizione di folle per arrestare il prodotto.

Manutenzione

Introduzione



AVVERTENZA: Prima di eseguire qualsiasi lavoro di manutenzione, è necessario leggere e capire il capitolo relativo alla sicurezza.

Programma di manutenzione

* = Le istruzioni non sono riportate in questo manuale dell'operatore.

X = le istruzioni sono riportate in questo manuale dell'operatore.

O = Per le istruzioni, fare riferimento al manuale del motore.

Programma di manutenzione per l'operatore

Manutenzione	Manutenzione giornaliera		Eseguire la manutenzione almeno 1 volta l'anno	Intervallo di manutenzione in ore			
	Prima	Dopo		25	50	100	300
Effettuare un controllo del freno di stazionamento.	X						
Effettuare un controllo del livello dell'olio motore.	O						
Effettuare un controllo del sistema di sicurezza.	X						
Assicurarsi che non vi siano perdite di olio o carburante dal prodotto.	*						
Accertarsi che il prodotto non sia danneggiato.		*					
Assicurarsi che non vi siano parti non montate.		*					
Effettuare un controllo di eventuali danni sul piatto di taglio.		*					
Controllare la regolazione del piano di taglio.			X				X
Effettuare un controllo della pressione degli pneumatici.	X			X	X	X	X
Controllare i collegamenti della batteria.			X	X	X	X	X
Controllare il cavo dell'acceleratore.						O	
Controllare le ruote pivotanti anteriori (ogni 200 ore).			X			X	
Controllare e regolare il gioco della valvola del motore. ⁵⁷			*				*
Pulire la presa d'aria del motore. ⁵⁸			O	O			
Pulire il lato inferiore del piatto di taglio.		X					
Pulire intorno al motore.		*					
Pulire intorno alle cinghie e alle pulegge della cinghia.		*			*	*	*

⁵⁷ Il controllo deve essere eseguito da un addetto all'assistenza approvato.

⁵⁸ In condizioni di polvere, la pulizia e la sostituzione devono essere eseguite più frequentemente.

Manutenzione	Manutenzione giornaliera		Eseguire la manutenzione almeno 1 volta l'anno	Intervallo di manutenzione in ore			
	Prima	Dopo		25	50	100	300
Effettuare un controllo delle cinghie e delle pulegge.			X			X	
Pulire il pre-filtro in schiuma. ⁵⁹			O	O			
Sostituire il pre-filtro in schiuma. ⁶⁰⁶¹			O				
Pulire la cartuccia di carta del filtro. ⁶²			O	O			
Esaminare silenziatore e retina parascintille.			*		*	*	*
Avviare motore e lame e verificare se vi sono rumori insoliti.		*					
Affilare le lame. ⁶³			X	X			
Sostituire le lame.			X	X			
Sostituire le candele.			O			O	
Cambiare l'olio motore. ⁶⁴			O	O			
Sostituire il filtro dell'olio motore.			O			O	
Sostituire il filtro del carburante.			O			O	
Sostituire il filtro dell'aria in carta. ⁶⁵			O			O	
Eseguire la manutenzione dopo 300 ore. ⁶⁶			*				*

Pulizia del prodotto



ATTENZIONE: Non utilizzare una lancia ad alta pressione o a vapore. L'acqua può entrare nei cuscinetti e nei collegamenti elettrici e causare una corrosione che può danneggiare il prodotto.

- Non pulire le superfici calde come il motore, la marmitta e il sistema di scarico. Attendere fino a quando le superfici sono fredde, quindi rimuovere l'erba o lo sporco.
- Prima di pulire con acqua, pulire con una spazzola. Rimuovere l'erba e lo sporco dall'area sopra e intorno alla trasmissione, la presa d'aria della trasmissione e il motore.
- Utilizzare acqua corrente e un tubo per pulire il prodotto. Non utilizzare alta pressione.

Pulire il prodotto subito dopo l'uso.

⁵⁹ In condizioni di polvere, la pulizia e la sostituzione devono essere eseguite più frequentemente.

⁶⁰ In condizioni di polvere, la pulizia e la sostituzione devono essere eseguite più frequentemente.

⁶¹ Se il prodotto è dotato di pre-filtro in schiuma.

⁶² In condizioni di polvere, la pulizia e la sostituzione devono essere eseguite più frequentemente.

⁶³ Il controllo deve essere eseguito da un addetto all'assistenza approvato.

⁶⁴ Cambiare l'olio motore dopo le prime 8-10 ore di funzionamento. Con carichi pesanti o a temperature ambiente elevate, sostituire l'olio motore ogni 50 ore.

⁶⁵ In condizioni di polvere, la pulizia e la sostituzione devono essere eseguite più frequentemente.

⁶⁶ Il controllo deve essere eseguito da un addetto all'assistenza approvato.

- Non puntare il getto d'acqua sui componenti elettrici o i cuscinetti. L'impiego di un detergente solitamente aumenta il danno.
- Utilizzare aria compressa per pulire la superficie superiore del piatto del rasaerba.
- Utilizzare un tubo dell'acqua per pulire sotto il piatto di taglio.
- Quando il prodotto è pulito, avviare il piatto di taglio per un breve periodo di tempo per scaricare l'acqua residua.

Per pulire il motore e la marmitta

Mantenere il motore e la marmitta libera dall'erba tagliata e dallo sporco. L'erba tagliata immersa nell'olio o nel carburante sul motore può aumentare il rischio d'incendio e di surriscaldamento del motore. Lasciar raffreddare il motore prima di pulirlo. Pulire con acqua e una spazzola.

L'erba tagliata che si deposita intorno alla marmitta si secca velocemente e rappresenta un rischio d'incendio. Utilizzare una spazzola o rimuovere l'erba tagliata con l'acqua quando la marmitta è fredda.

Pulizia della batteria

La corrosione e la sporcizia sulla batteria e sui terminali possono causare una diminuzione della potenza della batteria.

1. Rimuovere la batteria. Fare riferimento a *Rimozione e montaggio della batteria alla pagina 123*.
2. Lavare la batteria con acqua e lasciare asciugare.



ATTENZIONE: Non utilizzare una lancia ad alta pressione o a vapore. L'acqua può entrare nei cuscinetti e nei collegamenti elettrici e causare una corrosione che può danneggiare il prodotto.

3. Pulire i morsetti e le estremità dei cavi della batteria con una spazzola metallica.

Per controllare il freno di stazionamento

1. Parcheggiare il prodotto su una pendenza con superficie dura.

Nota: Non parcheggiare il prodotto su un prato in pendenza quando si esegue un controllo del freno di stazionamento.

2. Inserire il freno di stazionamento.
3. Se il prodotto inizia a muoversi con il freno di stazionamento inserito, affidare la regolazione del freno di stazionamento a un'officina autorizzata.
4. Disinserire il freno di stazionamento.

Ricarica della batteria

- Ricaricare la batteria se è troppo scarica per avviare il motore. Fare riferimento a *Tempi di carica della batteria alla pagina 132* per i tempi di ricarica delle batterie.
- Utilizzare un caricabatterie standard.



ATTENZIONE: Non usare un caricabatterie rapido o l'avviamento di emergenza. Un caricabatterie rapido o un dispositivo per l'avviamento di emergenza possono danneggiare l'impianto elettrico del prodotto.

- Scollegare sempre il caricabatterie prima di avviare il motore.

Per eseguire un avvio di emergenza del motore

Se la batteria è troppo scarica per avviare il motore, è possibile utilizzare dei cavi di avviamento per effettuare un avviamento di emergenza. Questo prodotto dispone di un sistema da 12 V con messa a terra negativa. Il prodotto che viene utilizzato per l'avviamento di emergenza dovrà altresì disporre di un sistema da 12 V con messa a terra negativa.

Per collegare i cavi di avviamento



AVVERTENZA: Rischio di esplosione a causa di gas esplosivo che fuoriesce dalla batteria. Non collegare il morsetto negativo della batteria completamente carica al morsetto negativo della batteria scarica o in prossimità di quest'ultimo.



ATTENZIONE: Non utilizzare la batteria del prodotto per avviare altri veicoli.

1. Collegare un'estremità del cavo rosso al morsetto POSITIVO (+) della batteria alla batteria scarica (A). (Fig. 49)
2. Collegare l'altra estremità del cavo rosso al morsetto POSITIVO (+) della batteria alla batteria completamente carica (B).



AVVERTENZA: Non mettere in corto circuito le estremità del cavo rosso sul telaio.

3. Collegare un'estremità del cavo nero al terminale NEGATIVO (-) della batteria completamente carica (C).
4. Collegare l'altra estremità del cavo nero a un PUNTO DI MASSA SUL TELAIO (D), lontano dal serbatoio del carburante e dalla batteria.

Per rimuovere i cavi di avviamento

Nota: Rimuovere i cavi di avviamento nella sequenza opposta rispetto alla modalità di collegamento.

1. Rimuovere il cavo NERO dal telaio.
2. Rimuovere il cavo NERO dalla batteria completamente carica.
3. Rimuovere il cavo ROSSO dalle 2 batterie.

Rimozione e montaggio della batteria

1. Ripiegare il sedile in avanti. Fare riferimento a *Ripiegare il sedile alla pagina 117*.
2. Rimuovere il bullone e il dado dalla staffa della batteria, quindi rimuovere la staffa dalla batteria. (Fig. 50)
3. Utilizzare 2 chiavi per scollegare il cavo nero della batteria dal morsetto negativo (-) della batteria.
4. Utilizzare 2 chiavi per scollegare il cavo rosso della batteria dal morsetto positivo (+) della batteria.
5. Rimuovere con cautela la batteria dal prodotto.
6. Procedere all'installazione seguendo la procedura all'inverso.

Regolazione della velocità di misurazione

Se il prodotto non si muove in avanti, è necessario regolare la velocità di misurazione.



AVVERTENZA: Regolare sempre la velocità di misurazione in un'area aperta senza astanti.

1. Effettuare un controllo della pressione degli pneumatici. Fare riferimento a *Pressioni degli pneumatici alla pagina 123*.
2. Ruotare i comandi di allineamento verso l'esterno fino a quando non sono a filo con i dadi. Fare riferimento a *Panoramica del prodotto alla pagina 109* per la posizione dei comandi di allineamento.
3. Avviare il prodotto.
4. Spostare le leve di comando completamente in avanti e azionare il prodotto con l'acceleratore al massimo.
5. Ruotare gradualmente il controllo di allineamento sul lato destro fino a quando il prodotto non inizia a muoversi verso destra.
6. Ruotare gradualmente il controllo di tracciamento sul lato sinistro fino a quando il prodotto non inizia a muoversi in avanti.

Pressioni degli pneumatici

Assicurarsi che la pressione degli pneumatici sia corretta su tutte e 4 le gomme. Fare riferimento a *Dati tecnici alla pagina 130*.

Rimozione e installazione delle ruote anteriori

1. Rimuovere il dado e il bullone per rimuovere le ruote anteriori dalle forche. (Fig. 51)
2. Montare, seguendo i passaggi nell'ordine inverso. Serrare alla coppia il dado e il bullone di 50 ft-lbs/67,8 Nm.

Regolazione dei rulli antirasatura

I rulli antirasatura mantengono il piatto di taglio nella posizione corretta sul terreno e impediscono la rasatura del prato sulla maggior parte dei terreni. I rulli antirasatura possono essere impostati in 3 posizioni per erba di diverse lunghezze:

- Posizione superiore: 1,5/2,5 poll./38 -64 mm.
 - Posizione centrale: 2,5/4 poll./64 -102 mm.
 - Posizione inferiore: 4/5 poll./102 -127 mm.
1. Parcheggiare il prodotto su un terreno piano e spegnere il motore.
 2. Rimuovere il dado, il bullone, l'assale e il rullo antirasatura. (Fig. 52)
 3. Installare il rullo antirasatura in una delle 3 posizioni.



ATTENZIONE: Il piatto di taglio può danneggiarsi se i rulli antirasatura sono regolati in modo errato. I rulli devono trovarsi a circa 1/4 poll./6,4 mm dal terreno.

Per regolare il parallelismo del piatto di taglio

Questa procedura consente di impostare il piano di taglio in una posizione standard.

1. Accertarsi che la pressione degli pneumatici sia corretta. Fare riferimento a *Pressioni degli pneumatici alla pagina 123*.
2. Parcheggiare il prodotto su una superficie piana.
3. Mettere il piatto di taglio in posizione di trasporto.
4. Girare tutte le punte delle lame esterne per allinearle lateralmente al piatto di taglio. (Fig. 53)



AVVERTENZA: Le lame sul piatto di taglio sono affilate e possono causare lesioni. Usare guanti protettivi.

5. Prendere la misura dalla superficie del terreno fino alla parte inferiore della punta della lama sul lato di scarico del piatto di taglio. Annotare la distanza.

6. Misurare la distanza tra il terreno e la parte inferiore della punta della lama sul lato opposto al lato di scarico. La distanza deve essere uguale a quella del lato di scarico. Se è necessario effettuare la regolazione, regolare i dadi delle articolazioni di sollevamento finché entrambe le distanze da lato a lato non sono uguali. Ruotare i dadi in senso orario per aumentare l'altezza e in senso anti-orario per ridurre l'altezza. (Fig. 54)
 7. Girare le lame esterne per l'allineamento anteriore/posteriore del piatto di taglio.
 8. Se la distanza della punta della lama anteriore non è superiore di 1/8-1/2 poll. / 0,3175-1,27 mm nella parte posteriore rispetto a quella anteriore, ruotare i dadi del leveraggio della sospensione anteriore. Ruotare i dadi in senso orario per aumentare l'altezza e in senso anti-orario per ridurre l'altezza. (Fig. 55)
 9. Misurare nuovamente le distanze per assicurarsi che il piatto di taglio sia stato regolato correttamente.
4. Prendere nota della posizione della guida della cinghia.
 5. Allentare il dado della guida della cinghia. (Fig. 56)
 6. Spingere il braccio del galoppino per diminuire la tensione sulla cinghia del piatto e rimuoverla con cautela dalle pulegge.
 7. Rimuovere la cinghia del piatto dalla frizione elettrica sull'albero motore.

Montare la cinghia del piatto di taglio

1. Avvolgere la cinghia del piatto intorno alla puleggia della frizione elettrica sull'albero motore.
2. Inserire la cinghia del piatto intorno alle pulegge sul piatto di taglio.

Nota: Fare riferimento all'etichetta sul piatto di taglio quando si installa la cinghia del piatto.

3. Spingere il braccio del galoppino fino a quando non è possibile posizionare la cinghia del piatto intorno alla puleggia del galoppino fissa e mantenerla in tale posizione.
4. Posizionare con cautela la cinghia del piatto attorno alla puleggia del galoppino fissa e rilasciare lentamente il braccio del galoppino in posizione.
5. Assicurarsi che l'instradamento della cinghia corrisponda all'instradamento indicato sull'etichetta della cinghia.
6. Assicurarsi che la cinghia non sia attorcigliata.
7. Mettere la guida della cinghia nella posizione corretta e serrare il dado.

Nota: Fare riferimento all'annotazione fatta al momento della rimozione della guida della cinghia.

8. Installare i 2 coperchi della cinghia.

Controllo del livello dell'olio motore

1. Parcheggiare il prodotto su un terreno piano e spegnere il motore.
2. Aprire il cuscino dell'operatore per accedere al motore.
3. Allentare l'asta di livello ed estrarla.
4. Pulire l'olio dall'astina di livello.
5. Inserire l'asta di livello nel foro apposito e serrarla.
6. Allentare e sfilare l'asta di livello e leggere il livello dell'olio.
7. Il livello dell'olio deve essere compreso tra i segni sull'asta di livello. Se il livello si trova vicino al segno ADD, rabboccare l'olio fino al segno FULL. (Fig. 57)
8. Versare l'olio attraverso il foro dell'asta di livello. Rabboccare lentamente l'olio.

Ispezione delle lame



ATTENZIONE: Lame danneggiate o bilanciate in modo errato possono causare danni al prodotto. Sostituire le lame danneggiate. Affidare a un'officina autorizzata l'affilatura e il bilanciamento delle lame.

- Esaminare le lame per verificare se sono danneggiate e, qualora sia necessario, per affilarle.

Sostituzione delle lame

1. Rimuovere il bullone della lama.
2. Montare la nuova lama con il lato senza timbri nella direzione del piatto di taglio.



AVVERTENZA: Un tipo di lama errato può causare l'espulsione di oggetti dal piatto di taglio e lesioni gravi. Utilizzare esclusivamente lame approvate.

3. Fissare il bullone della lama. Serrare il bullone a 60-81 Nm.

Rimuovere la cinghia del piatto

Parcheggiare il prodotto su un terreno piano e inserire il freno di stazionamento prima di eseguire questa operazione.

1. Portare il piatto di taglio nella posizione più bassa.
2. Rimuovere i 2 coperchi della cinghia.
3. Rimuovere sporcizia e materiali indesiderati dall'alloggiamento del tagliente e sulla superficie del piatto di taglio.

Nota: Fare riferimento a *Dati tecnici alla pagina 130* per i tipi di olio motore raccomandati da Husqvarna. Non mescolare tipi diversi di olio.

9. Serrare l'asta di livello correttamente prima di avviare il motore.

Cambio dell'olio motore

Se il motore è freddo, avviare il motore per 1-2 minuti prima di scaricare l'olio motore. Ciò comporta il riscaldamento dell'olio motore, velocizzando lo scarico.



AVVERTENZA: Non avviare il motore per più di 1-2 minuti prima di scaricare l'olio motore. L'olio motore diventa molto caldo e può causare ustioni. Lasciare che il motore si raffreddi prima di scaricare l'olio motore.



AVVERTENZA: In caso di sversamento accidentale dell'olio motore sul corpo, lavare con acqua e sapone.

1. Parcheggiare il prodotto su un terreno piano e spegnere il motore.
2. Inserire il freno di stazionamento. Fare riferimento a *Inserimento e disinserimento del freno di stazionamento alla pagina 118*.
3. Rimuovere tutta la sporcizia intorno al tappo del serbatoio dell'olio.
4. Rimuovere il tappo del serbatoio dell'olio e l'asta di livello.
5. Collegare il tubo di scarico (A) dell'olio alla valvola di scarico dell'olio motore (B). (Fig. 58)
6. Posizionare un contenitore sotto il motore per raccogliere l'olio motore.
7. Ruotare la valvola di scarico dell'olio in senso antiorario per aprirla. Utilizzare una chiave da 10 mm.
8. Una volta scaricato tutto l'olio motore, ruotare la valvola di scarico dell'olio in senso orario per chiuderla. Utilizzare una chiave da 10 mm.
9. Utilizzare la chiave da 10 mm per serrare con cautela la valvola di scarico dell'olio chiusa. Non stringere eccessivamente.



ATTENZIONE: Non applicare una forza eccessiva durante il serraggio della valvola di scarico dell'olio.

10. Rimuovere il tubo dello scarico dell'olio dalla valvola di scarico dell'olio.
11. Riempire con nuovo olio e verificare il livello dell'olio motore. Fare riferimento a *Controllo del livello dell'olio motore alla pagina 124*.
12. Montare il tappo del serbatoio dell'olio e l'asta di livello.

Nota: Per lo smaltimento sicuro dell'olio motore esausto, fare riferimento a *Smaltimento alla pagina 129*.

Lubrificazione, Informazioni generali

- Estrarre la chiave di accensione per impedire movimenti accidentali durante la lubrificazione.
- Pulire l'area prima di lubrificare una parte del prodotto.
- Utilizzare olio quando si lubrifica con una latta olio.
- Quando si lubrifica con grasso, utilizzare un grasso per telaio o cuscinetti a sfera per evitare la corrosione. Rimuovere il grasso superfluo dopo la lubrificazione.
- Lubrificare 2 volte a settimana se il prodotto viene azionato tutti i giorni.
- Non versare lubrificante sulle cinghie di trasmissione o sulle scanalature delle pulegge cinghia. In caso di versamento, pulire con alcool. Se l'attrito tra la cinghia di trasmissione e la puleggia non è sufficiente dopo aver pulito con alcool, sostituire la cinghia di trasmissione.



ATTENZIONE: Non usare benzina e altri prodotti derivati dalla benzina per pulire le cinghie di trasmissione.

Programma di lubrificazione

(Fig. 2)

Fare riferimento a	Lubrificazione	Intervallo			
		Gior- nalle- ra	Ogni 25 ore	Ogni 50 ore	Ogni 200 ore
A	Lubrificare nuovamente gli ingrassatori dell'assale pivotante con la pistola di ingrassaggio.		X		
B	Eseguire il controllo del livello dell'olio.	X			
C	Sostituire il filtro dell'olio.				X

Utilizzare sempre grasso di buona qualità. Utilizzare sempre olio raccomandato, fare riferimento a *Dati tecnici alla pagina 130*.

- Lubrificare il cuscinetto del giunto delle ruote anteriori (B) con una pistola ingrassatrice finché il grasso non fuoriesce.

Lubrificazione delle ruote anteriori

- Lubrificare l'ingrassatore (A) con una pistola ingrassatrice finché il grasso non fuoriesce dalla rondella superiore. (Fig. 59)

Ricerca guasti

Programma di ricerca guasti

Se non si riesce a trovare la soluzione al problema in questo manuale operatore, rivolgersi alla propria officina autorizzata Husqvarna.

Problema	Causa
Il motore non si avvia.	La rotazione delle lame è inserita. Fare riferimento a <i>Pulsante PTO (presa di forza) alla pagina 110</i> .
	Le leve di comando non sono bloccate nella posizione esterna.
	La batteria è troppo debole. Fare riferimento a <i>Ricarica della batteria alla pagina 122</i> .
	È presente dello sporco nel carburatore o nel tubo del carburante.
	La valvola di esclusione carburante è chiusa o in posizione errata.
	Il filtro carburante o la tubazione del carburante sono ostruiti.
	L'impianto di accensione è danneggiato.
Il motorino di avviamento non fa girare il motore.	La batteria è troppo debole. Fare riferimento a <i>Ricarica della batteria alla pagina 122</i> .
	Il collegamento in corrispondenza dei connettori del cavo sui morsetti della batteria è difettoso. Fare riferimento a <i>Pulizia della batteria alla pagina 122</i> .
	Un fusibile è bruciato. Fare riferimento a <i>Fusibili alla pagina 110</i> .
	Il controllo della presenza dell'operatore (OPC) non funziona correttamente. Fare riferimento a <i>Controllo presenza operatore (OPC) alla pagina 109</i> .

Problema	Causa
Il motore gira in maniera irregolare.	Il carburatore è regolato in modo errato.
	Il filtro carburante o il getto del carburante sono ostruiti.
	La leva dell'acceleratore è in posizione di avviamento per clima freddo.
	La valvola di ritegno sul tappo del serbatoio del carburante è ostruita.
	Il serbatoio del carburante è quasi vuoto.
	La candela è danneggiata.
	Miscela o il tipo di carburante non corretti.
	Presenza di acqua nel carburante.
Il motore apparentemente non è alimentato.	Il filtro dell'aria è ostruito.
	La candela è danneggiata.
	Il carburatore è regolato in modo errato.
	Presenza d'aria nell'impianto idraulico.
Si verificano vibrazioni nel prodotto.	Le lame sono allentate. Fare riferimento a <i>Ispesione delle lame alla pagina 124.</i>
	Una o più lame non sono bilanciate. Fare riferimento a <i>Ispesione delle lame alla pagina 124.</i>
	Il motore è allentato.
Il motore si è surriscaldato.	Il filtro dell'aria o le alette di raffreddamento sono ostruiti.
	Vi è un sovraccarico nel motore.
	Il flusso d'aria intorno al motore non è sufficiente.
	Il regolatore del regime motore è danneggiato.
	Il livello dell'olio è troppo basso.
	È presente dello sporco nel tubo del carburante.
	La candela è danneggiata.
La batteria non si ricarica.	Il collegamento in corrispondenza dei connettori del cavo sui morsetti della batteria è difettoso. Fare riferimento a <i>Pulizia della batteria alla pagina 122.</i>
	Il cavo di ricarica è scollegato.
Il prodotto si muove lentamente, a velocità irregolare o non si muove affatto.	I leveraggi di bypass sono inseriti.
	La cinghia di trasmissione è allentata o danneggiata.
	Presenza d'aria nell'impianto idraulico.

Problema	Causa
La rotazione delle lame non è inserita.	Cinghia di trasmissione del piatto del tagliaerba allentata.
	Contatto dell'accoppiamento elettromagnetico allentato.
	La trasmissione della lama è danneggiata o allentata dai connettori del cavo.
	Un fusibile è bruciato.
Il cambio differenziale perde olio.	Le guarnizioni o l'alloggiamento sono danneggiati.
	Presenza d'aria nell'impianto idraulico.
Il risultato del taglio è insoddisfacente.	La pressione degli pneumatici è diversa sui lati destro e sinistro. Fare riferimento a <i>Pressioni degli pneumatici alla pagina 123</i> .
	Le lame sono danneggiate.
	La sospensione del piano di taglio non è in piano.
	Le lame non sono affilate. Fare riferimento a <i>Ispezione delle lame alla pagina 124</i> .
	Il prodotto funziona a un regime troppo elevato in avanti o in retromarcia. Fare riferimento a <i>Per ottenere un buon risultato di taglio alla pagina 119</i> .
	L'erba è alta. Fare riferimento a <i>Per ottenere un buon risultato di taglio alla pagina 119</i> .
	C'è dell'erba bloccata nel piatto di taglio. Fare riferimento a <i>Pulizia del prodotto alla pagina 121</i> .

Trasporto, stoccaggio e smaltimento

Trasporto

- Il prodotto ha un peso elevato e può causare lesioni da schiacciamento. Prestare attenzione durante il caricamento su un veicolo o rimorchio o durante lo scaricamento.
- Caricare il prodotto in retromarcia su rampe approvate con un angolo di funzionamento massimo di 10°. Non sollevare il prodotto.
- Utilizzare un rimorchio omologato per il trasporto del prodotto.
- Accertarsi di conoscere le norme sulla circolazione stradale prima del trasporto del prodotto in un rimorchio o su strada.
- Interrompere l'alimentazione del carburante del prodotto.
- Bloccare il prodotto con dispositivi approvati, come le cinghie. Utilizzare punti di ancoraggio sul prodotto. Il freno di stazionamento non è sufficiente per bloccare il prodotto durante il trasporto.

Per il traino del prodotto



AVVERTENZA: Prima di trainare il prodotto, è necessario leggere e comprendere il capitolo relativo alla sicurezza. Fare riferimento a *Sicurezza per il traino alla pagina 115*.

- Prestare attenzione durante il traino del prodotto.
- Azionare lentamente il prodotto durante il traino.
- La distanza frenante aumenta quando si traina il prodotto. Accertarsi di ridurre la velocità in tempo.
- Per un funzionamento sicuro, effettuare curve ampie.
- Non eseguire il traino in prossimità di fossi, specchi d'acqua e altre aree pericolose.

Rimessaggio

Preparare il prodotto per il rimessaggio al termine della stagione e in caso di inutilizzo per un periodo superiore a 30 giorni. Se si lascia il carburante all'interno del serbatoio del carburante per 30 giorni o più, le particelle appiccicose possono creare

intasamenti nel carburatore. Ciò ha un effetto negativo sul funzionamento del motore.

Per evitare la formazione di particelle appiccicose durante il rimessaggio, aggiungere uno stabilizzatore. Se si utilizza benzina alchilata, lo stabilizzatore non è necessario. Se si utilizza benzina standard, non passare alla benzina alchilata. Ciò può causare l'indurimento dei componenti sensibili di gomma. Aggiungere lo stabilizzatore alla benzina nel serbatoio o nel contenitore utilizzato per il rimessaggio. Utilizzare sempre i rapporti di miscelazione indicati dal produttore. Aggiungere lo stabilizzatore e far funzionare il motore per almeno 10 minuti, finché il carburatore non fluisce nel carburatore.



AVVERTENZA: Non conservare il prodotto con del carburante nel serbatoio in un luogo chiuso o in luoghi con scarsa circolazione d'aria. Se i vapori tossici entrano a contatto con fiamme, scintille o fiamme pilota, come ad esempio in caldaie, serbatoi d'acqua calda e asciugatrici, sussiste il rischio di incendio.



AVVERTENZA: Rimuovere l'erba, le foglie e altri materiali infiammabili dal prodotto per ridurre il rischio di incendio. Lasciare raffreddare che il prodotto prima del rimessaggio.

- Pulire il prodotto, fare riferimento a *Pulizia del prodotto alla pagina 121*.
- Rimuovere i materiali indesiderati dalla ventola di raffreddamento.
- Ritoccare la vernice danneggiata per evitare la corrosione.
- Esaminare il prodotto per verificare la presenza di componenti usurati o danneggiati e stringere le viti e i dadi allentati.
- Rimuovere la batteria. Pulirla, caricarla e conservarla in un luogo fresco durante il rimessaggio.
- Cambiare l'olio motore e smaltire l'olio di scarico.
- Svotare il serbatoio del carburante. Avviare il motore e farlo girare fino a quando non si esaurisce tutto il carburante nel carburatore.

Nota: Non svotare il serbatoio del carburante e il carburatore se si è aggiunto lo stabilizzatore.

- Rimuovere i tappi e versare circa un cucchiaino di olio motore in ogni cilindro. Ruotare manualmente l'albero motore per applicare uniformemente l'olio e riavvitare i tappi.
- Lubrificare tutti gli ingrassatori, i giunti e gli assali.
- Conservare il prodotto in un'area pulita e asciutta e coprirlo per una maggiore protezione.

Smaltimento

- Le sostanze chimiche possono essere pericolose e non devono essere disperse nel suolo. Smaltire sempre le sostanze chimiche utilizzate presso un centro di assistenza o un centro di smaltimento autorizzato.
- Quando il prodotto è usurato, inviarlo al rivenditore o a un centro di riciclaggio autorizzato.
- Olio, filtri dell'olio, carburante e batteria possono contaminare l'ambiente. Rispettare le norme locali sul riciclaggio e le normative vigenti.
- Non smaltire la batteria come un rifiuto domestico.
- Inviare la batteria a un'officina Husqvarna o smaltirla in un centro specializzato nello smaltimento delle batterie usate.

Dati tecnici

Dati tecnici

Z242F	
Motore	
Marca / Modello	Kawasaki/FR651V
Potenza nominale motore, hp/kW ⁶⁷	18,6/13,9
Cilindrata, cm ³	726
Massimo regime del motore, giri/min	2800 ± 100
Carburante, numero minimo di ottani senza piombo, max 10% di etanolo, max 15% di MTBE	87
Volume serbatoio, galloni/l	3,5/13,3
Olio	Classe SF, SG, SH, SJ or SL SAE40, SAE30, SAE20W-50, SAE10W-40, SAE10W-30, SAE5W-20
Volume dell'olio, filtro incluso, oz. / l	70,4/2,1
Volume dell'olio, filtro escluso, oz. / l	60,8/1,8
Sistema di lubrificazione	Pressione con filtro dell'olio
Sistema di raffreddamento	Raffreddato ad aria
Filtro dell'aria	Standard
Alternatore, V amp a 3.600 giri/min	12 V 15 amp a 3.600 giri/min
Motorino di avviamento	Avviamento elettrico 12 V
Dimensioni	
Lunghezza, poll./cm	75/191
Larghezza, poll./cm	41,5/105,4
Larghezza compreso scarico in alto, poll./cm	48/121,9
Larghezza compreso scarico in basso, poll./cm	56/142,24
Altezza, mm	40/102
Peso, con serbatoi vuoti, lb / kg	560/254
Pendenza massima, gradi °	10
Larghezza di taglio, pollici / cm	42 / 107
Altezza di taglio, pollici / cm	1,5 - 4 / 3,8 - 10,2
Piatto di taglio	
Formato del piatto	Fabbricato
Numero di lame	2
Lunghezza lama, pollici / cm	20,9/53,1

⁶⁷ La potenza nominale dichiarata dal costruttore del motore è la potenza lorda media al regime specificato di un tipico motore di serie per il modello di motore misurato in base alle norme SAE per la potenza lorda del motore. Fare riferimento alle specifiche del motore del costruttore.

	Z242F
Innesto lame	Frizione elettromagnetica
Produttività, acri/h/m ² /h	2,2/8.903,08
Pneumatici	
Pressione degli pneumatici, posteriore - anteriore, kPa / PSI / bar	103 / 15 / 1
Pneumatici ruote pivotanti anteriori, pollici	11 x 6-5
Pneumatici posteriori, pneumatici per terreno erboso, pollici	18 x 8,5-8
Rullo anti-scalpo	1 regolabili
Trasmissione	
Trasmissione	Transaxle idrostatici
Comando dello sterzo	Doppie leve, chiuse con schiuma
Velocità di avanzamento massima, mph/kmh	6,5/10,5
Velocità in retromarcia massima, mph/kmh	3,25/5,23
Freni	Freno di stazionamento meccanico
Impianto elettrico	
Tipo	12 V
Batteria	28 A
Candela	NGK BPR4ES
Distanza tra gli elettrodi, pollici/mm	0,030 / 0,76
Coppia della candela, lb-ft / Nm	16/22
Emissioni di rumore ⁶⁸	
Livello potenza acustica, misurato dB(A)	100
Livello potenza acustica, garantito dB(A)	100
Livelli di vibrazioni ⁶⁹	
Livello di vibrazioni sul volante, m/s ²	1,30
Livello di vibrazioni sul sedile, m/s ²	0,53

⁶⁸ Emissioni di rumore nell'ambiente misurate come potenza sonora (L_{WA}) in base alla direttiva CE 2000/14/CE. Il livello di potenza acustica riportato per il macchinario è stato misurato con il gruppo di taglio originale che emette il livello massimo. La differenza tra potenza acustica misurata e garantita è che la potenza acustica garantita comprende anche la dispersione nel risultato di misurazione e le variazioni tra le diverse macchine dello stesso modello come da Direttiva 2000/14/CE.

⁶⁹ I dati riportati per il livello di vibrazioni hanno una dispersione statistica tipica (deviazione standard) di 1 m/s² (volante) e 0,8 m/s² (sedile).

Tempi di carica della batteria

Batteria standard	Stato di carica	TEMPO DI RICARICA APPROSSIMATIVO* PER UNA CARICA COMPLETA A 80° °F/26° C ⁷⁰			
		Velocità massima a:			
		50 A	30 A	20 A	10 A
12,6 V	100%	Completamente carica			
12,4 V	75%	20 min	35 min.	48 min	90 min
12,2 V	50%	45 min	75 min	95 min	180 min
12,0 V	25%	65 min	115 min	145 min	280 min
11,8 V	0%	85 min	150 min	195 min	370 min

Assistenza

Assistenza

Eseguire un controllo annuale presso un centro di assistenza autorizzato per assicurarsi che il prodotto funzioni in modo sicuro e al meglio durante l'alta stagione. Il momento migliore per eseguire la manutenzione o la revisione del prodotto è la bassa stagione.

Quando si ordinano i ricambi, fornire le informazioni sull'anno di acquisto, il modello, il tipo e il numero di serie.

Utilizzare sempre ricambi originali.

⁷⁰

Il tempo di carica della batteria può variare a causa di capacità, condizioni, età, temperatura ed efficienza del caricabatterie.

Dichiarazione di conformità UE

Husqvarna AB, SE 561 82 Huskvarna, SVEZIA,
dichiara sotto la propria esclusiva responsabilità che
il prodotto indicato:

Descrizione	Trattorino tagliaerba con motore a combustione e operatore seduto
Marchio	Husqvarna
Piattaforma / Tipo / Modello	Z242F
Lotto	A partire dal numero di serie 2023 e successivi

È pienamente conforme alle seguenti norme e
direttive UE:

Direttiva/norma	Descrizione
2006/42/CE	"relativa alle macchine"
2011/65/UE	"restrizione dell'uso di determinate sostanze pericolose"
2014/30/UE	"sulla compatibilità elettromagnetica"
2000/14/CE, 2005/88/CE	"sul rumore esterno"

Le norme armonizzate e/o specifiche tecniche applicate sono le seguenti: EN ISO 12100:2010, EN ISO 14982:2009, EN ISO 5395-1:2013/A1:2018, EN ISO 5395-3:2013/A1:2017/A2:2018, EN ISO 3744:2010, EN ISO 11094:1991, EN 1032:2009, EN IEC 63000:2018.

In conformità alla direttiva 2000/14/CE, Allegato VI, i valori per i livelli sonori dichiarati sono riportati nella sezione Dati tecnici del presente manuale e nel documento firmato Dichiarazione di conformità UE.

Il trattorino tagliaerba con motore a combustione e operatore seduto è conforme agli esemplari sottoposti a omologazione.

Per conto di Husqvarna AB, SE 561 82 Huskvarna,
Svezia, Huskvarna, 2023-07-26



Claes Losdal
Responsabile della documentazione tecnica



Schemi

Schema elettrico

(Fig. 3)

Inhoud

Inleiding.....	134	Technische gegevens.....	154
Veiligheid.....	136	Service.....	156
Werking.....	142	EU-verklaring van conformiteit.....	157
Onderhoud.....	144	Diagrammen.....	157
Probleemoplossing.....	150	Bijlage	158
Vervoer, opslag en verwerking.....	152		

Inleiding

Afleveringsinspectie en productnummers

Bij dit product werd een afleveringsinspectie uitgevoerd. Vraag uw dealer om een getekend exemplaar van het afleveringsinspectiedocument.

Contactinformatie servicewerkplaats:	
Deze gebruikershandleiding hoort bij het product met het productnummer/serienummer:	
/	
Motor:	
Transmissie:	

De productnummers staan op het typeplaatje. Zie *Productoverzicht op pagina 134* voor de locatie van het typeplaatje.

Productbeschrijving

Dit product is een zitmaaier. Met de besturingshendels kan de gebruiker het product besturen en de snelheid aanpassen. De urenteller toont hoeveel uur het product is gebruikt.

Productoverzicht

(Fig. 1)

1. Besturingshendels
2. Parkeerrem
3. Trackingregelaar
4. Maaidekhefhendel
5. Zekeringen
6. Bypasskoppeling
7. Brandstofafsluitklep
8. Brandstoftank
9. Chokehendel
10. Gashendel
11. Urenteller
12. Contactschakelaar
13. PTO-knop
14. Typeplaatje

Gebruik

Het product is uitsluitend gemaakt voor het maaien van gras op open en vlakke ondergrond. Gebruik het product niet voor andere taken.

Stuurregelaars

De rijrichting van het product wordt geregeld door de 2 besturingshendels. Zie *Productoverzicht op pagina 134*. De besturingshendels kunnen naar voren en naar achteren worden verplaatst vanuit de neutrale stand. Zie *Het product gebruiken op pagina 143*.

Dodemensregeling (OPC)

De dodemensregeling wordt ingeschakeld wanneer de gebruiker opstaat van de stoel. De motor en de aandrijving van de messen stoppen als de messen zijn ingeschakeld of de parkeerrem niet is geactiveerd. Zie *Bedrijfsomstandigheden op pagina 139*.

Contactsleutel

De contactsleutel heeft 4 standen:

- Startstand (A)

- Werkstand (B)
- Koplampstand (C)
- Stopstand (D)

(Fig. 35)

Koplampen

(Fig. 35)

- Draai de contactsleutel naar de koplampstand (C) om het product te gebruiken met de koplampen aan.
- Draai de contactsleutel naar de werkstand (B) om het product te gebruiken met de koplampen uit.

Gashendel

De gashendel past het motortoerental en de rotatiesnelheid van de messen aan als deze zijn ingeschakeld. De gashendel heeft 2 eindstanden, te weten stationair toerental en volgas.

(Fig. 36)

- Stationair toerental (A) - verlaagt het motortoerental.
- Volgas (B) - verhoogt het motortoerental.



OPGELET: Laat de motor niet langer dan nodig stationair draaien (A). Te veel bedrijfstijd bij stationair toerental kan de levensduur van de bougies verminderen.

Chokehendel

De chokehendel wordt gebruikt bij een koude start om de motor van meer brandstof te voorzien. Trek de chokehendel omhoog als u een koude motor start.

Zie *Productoverzicht op pagina 134* voor de locatie van de chokehendel.

PTO-knop (aftakas)

Met de PTO-knop worden de PTO-koppeling en het maaidek of andere aangesloten apparatuur in- en uitgeschakeld. Er moet aan de correcte startvoorwaarden worden voldaan om de aandrijving van de messen in te schakelen. Raadpleeg *Bedrijfsomstandigheden op pagina 139* voor de juiste startvoorwaarden.

- Trek aan de PTO-knop om de aandrijving van de messen of andere apparatuur in te schakelen.

(Fig. 37)

- Druk de PTO-knop in om de aandrijving van de messen of andere apparatuur uit te schakelen.

(Fig. 38)

Brandstofafsluitklep

Zie *Productoverzicht op pagina 134* voor de locatie van de brandstofafsluitklep.

De brandstofafsluitklep is gesloten wanneer de lip op de knop haaks op de brandstofleiding staat.

Zekeringen

De zekeringen zijn te vinden in de zekeringkast. De zekeringkast bevindt zich onder de stoel. Kantel de stoel naar voren om toegang te krijgen tot de zekeringkast. Raadpleeg het plaatje op de zekeringkast voor de identificatie van de verschillende zekeringen.

Urenteller

Het product heeft een urenteller die aangeeft hoeveel bedrijfsuren de messen ingeschakeld zijn geweest. Zie *Productoverzicht op pagina 134* voor de locatie van de urenteller.

(Fig. 39)

Elke 50 uur wordt een oliepeilsymbool gedurende 2 uur weergegeven. Zie *Het motoroliepeil controleren op pagina 149*.

Symbolen op het product

(Fig. 4) **WAARSCHUWING:** Dit product kan gevaarlijk zijn en ernstig of fataal letsel toebrengen aan de gebruiker of anderen. Wees voorzichtig en gebruik het product op de juiste manier.

(Fig. 5) Draag een veiligheidsbril.

(Fig. 6) Parkeerrem.

(Fig. 7) Motortoerental – snel.

(Fig. 8) Langzaam.

(Fig. 9) Chokehendel.

(Fig. 10) Brandstof.

(Fig. 11) Draag veiligheidshandschoenen.

(Fig. 12) Stop de motor voordat u onderhoud uitvoert.

(Fig. 13) Gebruik het product niet zonder deflector of grasopvangbak.

(Fig. 14) Gebruik altijd goedgekeurde gehoorbescherming.

(Fig. 15) Zet uw voet hier niet neer.

(Fig. 16) Neutraalstand.

(Fig. 17) Achteruitversnelling.

- (Fig. 18) Lees de bedieningshandleiding zorgvuldig door en zorg dat u de instructies hebt begrepen voordat u het product gaat gebruiken.
- (Fig. 19) Bewaar een veilige afstand tot het product.
- (Fig. 20) Gebruik het product niet op hellingen van meer dan 10°.
- (Fig. 21) Vervoer geen passagiers.
- (Fig. 22) Kijk uit voor weggeslingerde en afgeketste voorwerpen.
- (Fig. 23) Houd de handen en voeten uit de buurt.
- (Fig. 24) Houd handen uit de buurt van draaiende onderdelen.
- (Fig. 25) Kijk uit voor personen en dieren wanneer u het product naar voren verplaatst.
- (Fig. 26) Kijk uit voor personen en dieren wanneer u het product naar achteren verplaatst.
- (Fig. 27) Maaihoogte laag.
- (Fig. 28) Maaihoogte hoog.
- (Fig. 29) Geluidsvermogeniveau.
- (Fig. 30) Het product voldoet aan de geldende EG-richtlijnen.
- (Fig. 31) Dit product voldoet aan de geldende VK-regelgeving.

- (Fig. 32) Blijf uit de buurt van het uitworpedek.
- (Fig. 33) Waarschuwing! Accuuzuur is bijtend, explosief en ontvlambaar.
- (Fig. 34) Houd lichaamsdelen uit de buurt van draaiende delen.
- yyyywwxxxx**
- Het serienummer staat op het productplaatje. **yyyy** is het productiejaar en **ww** is de productieweek.

Let op: Andere symbolen/stickers op het product hebben betrekking op certificeringseisen voor een aantal commerciële markten.

Schade aan het product

We zijn niet verantwoordelijk voor schade aan ons product als:

- het product niet goed is gerepareerd.
- het product is gerepareerd met onderdelen die niet van de fabrikant afkomstig zijn, of onderdelen die niet zijn goedgekeurd door de fabrikant.
- het product een accessoire bevat dat niet afkomstig is van de fabrikant of niet is goedgekeurd door de fabrikant.
- het product niet is gerepareerd door een erkend servicepunt of door een erkende autoriteit.

Euro V-emissies



WAARSCHUWING: De EU-typegoedkeuring van dit product vervalt als ongeoorloofde wijzigingen aan de motor aangebracht worden.

Veiligheid

Veiligheidsdefinities

Waarschuwingen, voorzorgsmaatregelen en opmerkingen worden gebruikt om te wijzen op belangrijke delen van de handleiding.



WAARSCHUWING: Wordt gebruikt om te wijzen op de kans op ernstig of fataal letsel voor de gebruiker of omstanders wanneer de instructies in de handleiding niet worden gevolgd.



OPGELET: Wordt gebruikt indien er een risico bestaat op schade aan het product en andere eigendommen of aan

de omgeving wanneer de instructies in de handleiding niet worden gevolgd.

Let op: Geven verdere informatie die nodig is in een bepaalde situatie.

Algemene veiligheidsinstructies



WAARSCHUWING: Lees de volgende waarschuwingen voordat u het product gaat gebruiken



WAARSCHUWING: Wees altijd voorzichtig bij het gebruik van de machine; wanneer u dat niet doet, kunnen de gebruiker of andere personen ernstig letsel oplopen. De eigenaar moet deze instructies begrijpen en ervoor zorgen dat de maaier alleen bediend wordt door bevoegde personen die deze instructies begrijpen. Elke persoon die de maaier bedient, moet gezond van lichaam en geest zijn en mag niet onder de invloed van verdovende middelen zijn.



WAARSCHUWING: Dit product kan handen en voeten amputeren en voorwerpen wegslingeren. Het niet naleven van de volgende veiligheidsinstructies kan leiden tot ernstige ongelukken of de dood.

- Lees, begrijp en volg de instructies en waarschuwingen in dit document, de bedieningshandleiding en op het product, motor en accessoires.
- Het product mag alleen worden gebruikt door verantwoordelijke en getrainde personen, die fysiek in staat zijn om het product te gebruiken en die vertrouwd zijn met de instructies.
- Zorg dat u een persoon informeert dat u het product gaat gebruiken, om te voorkomen dat er letsel of een ongeval plaatsvindt.
- Vervoer geen passagiers en houd omstanders uit de buurt.
- Bedien het product niet wanneer u onder invloed van alcohol of drugs bent.
- Volg de aanbevelingen van de fabrikant voor wielvervaarders of contragewichten.
- Zorg dat u weet hoe u het product en de bedieningselementen veilig gebruikt en hoe u het product snel kunt stoppen.
- Zorg ook dat u weet wat de veiligheidspictogrammen betekenen.
- Houd het product schoon zodat plaatjes en stickers leesbaar blijven.
- Denk erom dat de bediener of gebruiker verantwoordelijk is voor ongelukken of beschadigingen aan eigendommen.
- Gebruik het product alleen bij daglicht of onder goed verlichte omstandigheden. Houd het product op een veilige afstand van gaten en andere onregelmatigheden in de grond. Kijk uit voor andere mogelijke risico's.
- Laat kinderen of andere personen die niet geschikt zijn om het product te gebruiken, geen werkzaamheden met of aan het product verrichten. De minimumleeftijd van de gebruiker kan zijn vastgelegd in plaatselijke voorschriften.
- Zorg dat er zich niemand in de buurt van het product bevindt wanneer u de motor start, de

aandrijving inschakelt of met het product gaat rijden.

- Houd een oogje op het verkeer als u maait nabij een weg of wanneer u een weg oversteeekt.
- Gebruik het product nooit wanneer u vermoe bent, alcohol of drugs hebt gebruikt, of als u medicijnen gebruikt die uw gezichtsvermogen, beoordelingsvermogen of coördinatie kunnen beïnvloeden.
- Parkeer het product altijd op een vlakke ondergrond met de motor uitgeschakeld.
- Breng geen wijzigingen aan dit product aan.
- Gebruik het product niet als de mogelijkheid bestaat dat andere personen wijzigingen aan het product hebben aangebracht.

Veiligheidsinstructies met betrekking tot kinderen



WAARSCHUWING: Kinderen kunnen ernstig of dodelijk letsel oplopen door dit product. Lees de volgende waarschuwingen voordat u het product gaat gebruiken. Houd kinderen uit de buurt.

- Er kunnen ernstige ongelukken gebeuren als de gebruiker de aanwezigheid van kinderen niet opmerkt. Kinderen vinden dit product en maaien vaak interessant. Ga er nooit van uit dat kinderen op de plek blijven waar u ze voor het laatst hebt gezien.
- Houd kinderen uit het maaigebied en onder toezicht van een verantwoordelijke volwassene (niet de gebruiker zelf).
- Let goed op en schakel het product onmiddellijk uit als er kinderen in het werkgebied komen. Wees vooral voorzichtig bij bochten, bosjes, bomen of andere objecten die uw zicht kunnen belemmeren.
- Wees extra voorzichtig als u in de buurt komt een blinde hoek, struiken, bomen of andere voorwerpen die het zicht op kinderen kunnen belemmeren.
- Kijk achteren en kijk naar beneden of u geen kleine kinderen ziet voordat u terwijl u het product achteruit beweegt.
- Laat het product niet door kinderen bedienen.
- The American Academy of Pediatrics adviseert een minimumleeftijd van 16 jaar voor het bedienen van zitmaaiers.
- Vervoer nooit kinderen op de machine, ook niet als de messen uitgeschakeld zijn. Ze kunnen eraf vallen en ernstig gewond raken of de veilige werking van het product verstoren. Kinderen die in het verleden op het product hebben meegereden kunnen plotseling in het maaigebied opduiken omdat ze nog een keer willen meerijden en onder het product terecht komen tijdens het (achteruit-)rijden.

Veiligheidsinstructies voor bediening



WAARSCHUWING: Lees de volgende waarschuwingen voordat u het product gaat gebruiken.



WAARSCHUWING: Raak nooit de motor of uitlaat aan tijdens of direct na gebruik. De motor en het uitlaatsysteem worden zeer heet tijdens het gebruik. Kans op brandwonden, brand en schade aan eigendommen of aangrenzende gebieden. Houd tijdens het maaien de machine uit de buurt van bosjes en andere objecten.

- Gebruik de motor uitsluitend in goed geventileerde ruimtes. Uitlaatgassen bevatten koolmonoxide, een dodelijk gas.
- Gebruik het product alleen bij daglicht of bij voldoende kunstlicht.
- Verwijder stenen, speelgoed, draden, enz. uit het werkgebied, omdat deze anders door de messen kunnen worden weggeslingerd.
- Vermijd gaten, geulen, hobbels, rotsen en andere niet-zichtbare gevaren. Oneffen terrein kan het product laten kantelen of ertoe leiden dat de gebruiker zijn evenwicht of houvast verliest.
- Plaats uw handen of voeten niet in de buurt van draaiende delen of onder het product. Blijf altijd uit de buurt van de afvoeropening.
- Bedien het product niet zonder dat de volledige grasopvangbak, afvoerbescherming of andere veiligheidsvoorzieningen op hun plaats zitten en werken.
- Richt afvoermateriaal nooit op personen. Voer materiaal niet af tegen een muur of obstakel. Het materiaal kan teruggeslingerd worden naar de gebruiker. Zet de messen stil wanneer u grindoppervlakken oversteekt.
- Laat het product nooit onbeheerd achter terwijl de motor draait. Parkeer altijd op een vlakke ondergrond, schakel het hulpstuk uit, trek de parkeerrem aan en zet de motor uit.
- Maai niet achteruit, tenzij het absoluut nodig is. Kijk altijd omlaag en achter vóór en tijdens het achteruitrijden.
- Verlaag de snelheid voordat u draait.
- Verlaag de rijsnelheid voordat u een bocht neemt.
- Uit onderzoek blijkt dat gebruikers van 60 jaar en ouder vaak zijn betrokken bij ongevallen met zitmaaiers. Deze gebruikers moeten beoordelen of ze de zitmaaier veilig genoeg kunnen bedienen om zichzelf en anderen tegen letsel te beschermen.

Veiligheidsinstructies voor gebruik op hellingen



WAARSCHUWING: Lees de volgende waarschuwingen voordat u het product gaat gebruiken.

Hellingen zijn een belangrijke factor in verband met ongevallen. Wees extra voorzichtig als u op een helling rijdt.

- Rijd op hellingen in de door de fabrikant aanbevolen richting. Wees voorzichtig bij het werken in de buurt van steile hellingen.
- Maai het gras niet als het nat is. De banden kunnen hun grip verliezen.
- Gebruik het product niet onder omstandigheden waarbij tractie, besturing of stabiliteit onzeker is. De banden kunnen ook gaan schuiven als de wielen tot stilstand zijn gekomen.
- Zet het product altijd in een versnelling als u een helling af rijdt. Laat de machine niet bergafwaarts rijden.
- Vermijd starten of stoppen op hellingen. Vermijd abrupte veranderingen in snelheid en richting. Neem bochten langzaam en geleidelijk.
- Als de banden hun grip verliezen, schakelt u de messen uit en rijdt u langzaam verder de helling af.
- Wees extra voorzichtig bij gebruik van het product met een grasopvangbak of andere accessoires. Deze kunnen de stabiliteit van het product beïnvloeden.
- Maaien op een helling verhoogt het risico dat u de controle over het product verliest en dat het product kantelt. Dit kan ernstig of dodelijk letsel veroorzaken. Bij maaien op een helling is het van groot belang voorzichtig te werk te gaan. Als u niet achteruit tegen een helling op kunt rijden of als u zich daar niet prettig bij voelt, maai de helling dan niet.
- Verwijder stenen, takken en andere obstakels.
- Maai verticaal tegen de helling omhoog en omlaag, niet van links naar rechts.
- Gebruik het product niet op een helling van meer dan 10°.
- Rijd op hellingen gelijkmatig en langzaam.
- Kijk uit voor en rijd niet over voren, kuilen en hobbels. Er bestaat een grotere kans dat het product kantelt op een ondergrond die niet vlak is. Obstakels kunnen moeilijk te zien zijn door hoog gras.
- Maai niet in de buurt van randen, greppels of hellingen. Houd ten minste de breedte van de machine uit de buurt van deze gevaren. Het product kan plotseling kantelen als een van de wielen over de randen van een steile helling of greppel komt, of als een berm inzakt.

Persoonlijke beschermingsuitrusting



WAARSCHUWING: Lees de volgende waarschuwingen voordat u het product gaat gebruiken.

- Draag tijdens het gebruik van het product altijd goedgekeurde persoonlijke beschermingsmiddelen. Persoonlijke beschermingsuitrusting kunnen niet alle risico's uitsluiten maar kunnen de ernst van eventueel letsel helpen beperken. Vraag uw dealer u te helpen bij het kiezen van de juiste beschermingsmiddelen.
- Gebruik altijd goedgekeurde gehoorbescherming. Langdurige blootstelling aan lawaai kan leiden tot permanente gehoorbeschadiging.
- Draag altijd een veiligheidsbril of oogbescherming tijdens het gebruik van het product of tijdens het uitvoeren van onderhoud of het repareren van de machine.
- Draag altijd veiligheidsschoenen of veiligheidslaarzen. Stalen neuzen worden aanbevolen. Gebruik het product niet met blote voeten.

(Fig. 40)

- Draag indien nodig handschoenen, bijvoorbeeld bij het monteren, inspecteren of reinigen van de snijuitrusting.
- Draag geen loszittende kleding, sieraden of andere voorwerpen die vast kunnen komen te zitten in bewegende delen.
- Draag geen korte broek wanneer u het product bedient.
- Houd een EHBO/doos en brandblusser binnen handbereik.

Veiligheidsvoorzieningen op het product



WAARSCHUWING: Lees de volgende waarschuwingen voordat u het product gaat gebruiken.

- Gebruik geen producten met veiligheidsvoorzieningen die beschadigd zijn of niet correct werken. Controleer de veiligheidsvoorzieningen regelmatig op een juiste werking. Als de veiligheidsvoorzieningen zijn beschadigd, neemt u contact op met uw Husqvarna-servicewerkplaats.
- Voer geen veranderingen uit aan de veiligheidsvoorzieningen. U mag het product niet gebruiken als beschermingsplaten, afschermingen, veiligheidsschakelaars of andere veiligheidsvoorzieningen ontbreken of beschadigd zijn.

De contactsleutel controleren

- Start de motor en schakel die weer uit bij wijze van controle van de contactsleutel. Raadpleeg *De motor starten op pagina 143* en *Motor uitschakelen op pagina 144*.
- Verifieer of de motor start wanneer u de contactsleutel naar de startstand draait.
- Verifieer of de motor onmiddellijk wordt uitgeschakeld wanneer u de contactsleutel naar de stopstand draait.

Bedrijfsomstandigheden

Er moet aan de volgende voorwaarden worden voldaan om de motor te starten:

- De besturingshendels staan in de neutrale stand.
- De parkeerrem is ingeschakeld.
- De aandrijving van de messen is uitgeschakeld.
- De OPC is ingedrukt.

De motor moet worden uitgeschakeld in de volgende situaties:

- De parkeerrem is niet geactiveerd en de bestuurder staat op van de stoel.
- De aandrijving van de messen is ingeschakeld en de gebruiker staat op uit de stoel.

Probeer de motor te starten terwijl niet is voldaan aan een van deze voorwaarden. Wijzig de omstandigheden en probeer het opnieuw. Voer deze controle dagelijks uit.

Parkeerrem



WAARSCHUWING: Als de parkeerrem niet werkt, kan het product beginnen te bewegen en daardoor letsel of schade veroorzaken. Inspecteer de parkeerrem regelmatig en stel deze af indien nodig.

Zie *De parkeerrem controleren op pagina 147*.

Uitlaatdemper



WAARSCHUWING: Gebruik het product niet als de demper ontbreekt of beschadigd is. Een beschadigde of ontbrekende geluiddemper laat het geluidsniveau stijgen en vergroot het risico van brand.

De uitlaatdemper is bedoeld om het geluidsniveau zo laag mogelijk te houden en om de uitlaatgassen weg te voeren van de gebruiker.

Inspecteer de uitlaatdemper regelmatig om te verifiëren of die goed vastzit en niet beschadigd is.



WAARSCHUWING: De uitlaatdemper wordt erg heet tijdens en na gebruik en wanneer de motor draait

bij stationair toerental. Wees voorzichtig in de buurt van brandbare materialen en/of dampen om brand te voorkomen.

Geluiddemper controleren

- Inspecteer de uitlaatdemper regelmatig om te verifiëren of die goed vastzit en niet beschadigd is.

Vonkenvanger

Dit product heeft een interne verbrandingsmotor. Gebruik het product niet in de buurt van vegetatie zonder een vonkenvanger die is goedgekeurd volgens lokale of landelijke wetgeving. Federale wetten zijn alleen van toepassing in federale landen.

Er is een vonkenvanger voor de geluiddemper verkrijgbaar bij uw erkende Husqvarna-dealer.

Beschermkappen

Ontbrekende of beschadigde beschermkappen vergroten de kans op letsel bij bewegende delen en hete oppervlakken. Voer een controle van de beschermkappen uit voordat u het product start. Zorg dat de beschermkappen juist zijn aangebracht en niet zijn gescheurd of andere beschadigingen vertonen. Vervang beschadigde beschermkappen.

Brandstofveiligheid



WAARSCHUWING: Lees de volgende waarschuwingen voordat u het product gaat gebruiken.



WAARSCHUWING: Wees voorzichtig met brandstof. Brandstof is zeer brandbaar en kan leiden tot letsel en schade aan eigendommen.

- Doof alle sigaretten, sigaren, pijpen en andere ontstekingsbronnen.
- Gebruik voor brandstof uitsluitend goedgekeurde jerrycans.
- Als de motor draait of warm is, mag de brandstofdop niet worden verwijderd en mag de brandstoftank niet worden bijgevuld.
- Vul geen brandstof bij in een ruimte binnenshuis of in een afgesloten ruimte.
- Plaats na het tanken de tankdop terug en draai deze stevig vast.
- Bewaar het product of jerrycans met brandstof niet in een ruimte waar open vuur, vonken of waakvlammen aanwezig zijn, zoals die van een geiser of andere apparaten. Dit geldt ook voor het bijvullen met brandstof.
- Als u brandstof op uw kleding morst, trek dan direct andere kleding aan.
- Als u brandstof morst, mag u de motor niet starten en geen ontstekingsbron creëren totdat de brandstofdampen zijn verdwenen.

- Om brand te helpen voorkomen: houd het product vrij van gras, bladeren of andere vuilophoping; verwijder eventueel in brandstof gedrenkte rommel; laat het product afkoelen voordat u dit stalt.
- Wees extra voorzichtig bij het hanteren van benzine en andere brandstoffen. Deze zijn brandbaar en dampen zijn explosief.
- Benzine en benzinedampen zijn giftig en zeer licht ontvlambaar. Wees voorzichtig met benzine om letsel of brand te voorkomen.
- Laat de motor afkoelen voordat u brandstof bijvult.
- Vul geen brandstof bij in de nabijheid van vonken of open vuur.
- Bij lekkage in het brandstofsysteem mag u de motor niet starten zolang de lekken niet gerepareerd zijn.
- Vul de tank niet verder dan het aanbevolen brandstofniveau. De warmte van de motor en de zon doet de brandstof uitzetten waardoor de brandstof kan overstromen als de tank te ver wordt gevuld.
- Bewaar het product en de brandstof op zodanige wijze dat er geen risico bestaat dat brandstoflekken of dampen schade kunnen veroorzaken.

Transportveiligheid

- Gebruik een goedgekeurd transportvoertuig om het product te vervoeren.
- Het product is zwaar en kan letsel door verbijzeling veroorzaken. Wees voorzichtig wanneer u het product op een voertuig of aanhangwagen laadt of eraf haalt.
- De nationale of lokale wetgeving van een markt kan het transport van dit product mogelijk beperken.
- De gebruiker van het transportvoertuig is verantwoordelijk voor het veilig vastzetten van het product tijdens het transport. Zie *Transport op pagina 152*.

Transport

- Gebruik oprijplaten die even breed zijn als de machine wanneer u het product voor transportdoeleinden op een voertuig in- of uitlaadt.

De machine veilig als trekker gebruiken

- Volg de aanbevelingen van de fabrikant ten aanzien van het maximale gewicht van getrokken uitrusting en het slepen op hellingen.
- Gebruik alleen door Husqvarna goedgekeurde trekuitrusting.
- Gebruik de trekhaak om de uitrusting te bevestigen.

- Zorg ervoor dat er zich geen andere personen in de buurt van het product bevinden wanneer u apparatuur sleept.
- Laat kinderen of anderen nooit toe in of op de getrokken apparatuur.
- Niet als trekker gebruiken op hellingen of in ruig terrein. Het gewicht van de getrokken uitrusting kan leiden tot grip- en controleverlies.

- De messen zijn uitgeschakeld.
- Alle bewegende delen zijn gestopt.
- De ontstekingskabels zijn van de bougies losgenomen.

Veiligheid bij accu's



WAARSCHUWING: Een beschadigde accu kan exploderen en letsel veroorzaken. Als de accu vervormd of beschadigd is, neem dan contact op met een erkende Husqvarna servicewerkplaats.



WAARSCHUWING: Lees de volgende waarschuwingen voordat u het product gaat gebruiken.

- Draag een veiligheidsbril wanneer u zich in de buurt van accu's begeeft.
- Draag geen horloges, sieraden of andere metalen voorwerpen in de buurt van de accu.
- Houd de accu buiten het bereik van kinderen.
- Laad de batterij op in een goed geventileerde ruimte.
- Houd ontvlambare materialen op een minimumafstand van 1 m wanneer u de batterij oplaadt.
- Voer vervangen accu's af. Zie *Afvoeren op pagina 153*.
- Er kunnen explosieve gassen uit de accu vrijkomen. Rook niet in de buurt van de accu. Houd de accu uit de buurt van open vuur en vonken.

Veiligheidsinstructies voor onderhoud



WAARSCHUWING: Lees de volgende waarschuwingen voordat u het product gaat gebruiken.



WAARSCHUWING: Het product is zwaar en kan letsel of schade aan eigendommen of de omgeving veroorzaken. Voer geen onderhoud uit aan de motor of het maai dek zonder aan deze voorwaarden te voldoen:

- De motor is uitgeschakeld.
- Het product is op een vlakke ondergrond geparkeerd.
- De parkeerrem is ingeschakeld.
- De contactsleutel staat in de stopstand en is verwijderd.



WAARSCHUWING: Vloeistof die onder druk ontsnapt, kan voldoende kracht hebben om de huid binnen te dringen en ernstig letsel te veroorzaken. Als er vloeistof in de huid is binnengedrongen, dient u onmiddellijk medische hulp in te roepen. Houd lichaam en handen uit de buurt van pengaten of spuitmonden die vloeistof onder hoge druk uitstoten. Als er een lek optreedt, moet u het product onmiddellijk laten nakijken door een getrainde monteur.



WAARSCHUWING:

Uitlaatgassen van de motor bevatten koolmonoxide, een geurloos, giftig en uiterst gevaarlijk gas. Gebruik het product niet in gesloten ruimten of ruimten met onvoldoende luchtstroming.

- Houd het product in goede staat. Vervang versleten of beschadigde onderdelen.

Wees voorzichtig bij het uitvoeren van onderhoud aan de messen. Dek messen af of draag handschoenen. Vervang beschadigde messen. Repareer of wijzig messen niet.

Koppel, indien aanwezig, de bougiekabel(s) en de negatieve accukabel los voordat u reparaties uitvoert.

Voor optimale prestaties en veiligheid adviseren wij u het product te onderhouden volgens het onderhoudsschema. Zie *Onderhoudsschema op pagina 144*.

- Een elektrische schok kan letsel veroorzaken. Raak geen kabels aan als de motor draait. Voer een functietest van het ontstekingsstelsel niet met uw vingers uit.
- Laat het product afkoelen voordat u onderhoudswerkzaamheden in de buurt van de motor uitvoert.
- De messen zijn erg scherp en kunnen snijwonden veroorzaken. Voorzie de messen van bescherming of draag beschermende handschoenen wanneer u aan de messen werkt.
- Laat de motor niet draaien als de bougie of ontstekingskabel is verwijderd.
- Zorg dat alle moeren en bouten goed zijn vastgedraaid en dat de apparatuur in goede staat is.
- Wijzig de instelling van de regelaars niet. Als het motortoerental te hoog is, kunnen de productonderdelen beschadigd raken. Zie

- Het product is alleen goedgekeurd voor gebruik in combinatie met de uitrusting die wordt geleverd of wordt aanbevolen door de fabrikant.

Werking

Inleiding



WAARSCHUWING: Voordat u het product gaat gebruiken, dient u het hoofdstuk over veiligheid te lezen en hebben begrepen.



WAARSCHUWING: De motor en het uitlaatsysteem worden zeer heet tijdens het gebruik. Er bestaat gevaar voor brandwonden. Laat de motor en het uitlaatsysteem afkoelen voordat u brandstof in het product doet.

Het product voor de eerste keer gebruiken



WAARSCHUWING: Voordat u het product voor het eerst gaat gebruiken, dient u dit hoofdstuk te lezen en begrijpen.



WAARSCHUWING: Gebruik de brandstoftank niet als ondersteuning.



OPGELET: Een verkeerde soort brandstof kan leiden tot motorschade.

- Gebruik een lager toerental en een lagere grondsnelheid wanneer u het product voor het eerst gebruikt.
- Beweeg de besturingshendels niet helemaal naar voren of naar achteren tijdens het eerste gebruik.
- Leer hoe u het product kunt sturen op een harde ondergrond, bijvoorbeeld beton of asfalt, voordat u het voor de eerste keer op een gazon gebruikt.

De motor gebruikt benzine met een minimum octaangetal van RON 91 (87 AKI), niet vermengd met olie. Wij adviseren biologisch afbreekbare alkylaatzbenzine te gebruiken.

- Controleer het brandstofniveau voorafgaand aan elk gebruik en vul indien nodig bij.
- Vul de brandstoftank niet volledig. Vul bij tot de onderkant van de vulnek van de brandstoftank.

Voordat u het product gebruikt



WAARSCHUWING: Voordat u het product gaat gebruiken, dient u het hoofdstuk over veiligheid te lezen en hebben begrepen.



De stoel afstellen

1. Til de stoel omhoog en verwijder de stoelverstelknop (A).
2. Stoelverstelknop losdraaien (B). (Fig. 41)
3. Verplaats de stoel totdat deze in de correcte positie is.
4. Lijn het gat in de stoelplaat voor de stoelverstelknop (A) uit met het gat in de stoel.
5. Plaats de stoelverstelknop (A) en draai deze vast.
6. Draai de stoelverstelknop (B) vast.

De stoel naar voren klappen

De stoel kan naar voren worden geklapt om toegang te krijgen tot de accu en de hydrostatische tandwielen.

1. Parkeer het product op een vlakke ondergrond.
2. Duw de stoel naar voren om de stoel naar voren te klappen.

De parkeerrem in- en uitschakelen

Dit product heeft geen speciale parkeerremhendel. De parkeerrem bevindt zich in de 2 besturingshendels.



WAARSCHUWING: Voordat u het product gaat gebruiken, moet u controleren of er zich geen stenen of andere voorwerpen in het werkgebied bevinden die door de draaiende messen kunnen worden weggeslingerd.

- Voer dagelijks onderhoud uit. Zie *Onderhoudsschema op pagina 144*.
- Controleer of er voldoende brandstof aanwezig is in de brandstoftank.
- Stel de maaihoogte af. Zie *Maaihoogte afstellen op pagina 143*.

Brandstof bijvullen



WAARSCHUWING: Benzine is uiterst ontvlambaar. Wees voorzichtig en vul buitenshuis brandstof bij, zie *Brandstofveiligheid op pagina 140*.

- Duw de 2 besturingshendels tegelijkertijd van de stoel af om de parkeerrem in te schakelen. Zie *Productoverzicht op pagina 134* voor de locatie van de besturingshendels.

Let op: Het product moet stilstaan wanneer u de parkeerrem inschakelt.

Let op: De motor stopt als u de 2 besturingshendels niet tegelijkertijd van de stoel af duwt.

- Trek de 2 besturingshendels in de richting van de stoel om de parkeerrem uit te schakelen.

Het aandrijfsysteem in- en uitschakelen



OPGELET: Schakel het aandrijfsysteem alleen uit of in als het product op een vlakke ondergrond is geparkeerd.

Als het nodig is om het product met de hand te verplaatsen terwijl de motor uitgeschakeld is, moet u het aandrijfsysteem uitschakelen. Het aandrijfsysteem wordt uit- en ingeschakeld door de bypasskoppeling. De bypasskoppelingen bevinden zich onder de achterste motorafscherming.

Volg de onderstaande procedure om het aandrijfsysteem uit te schakelen.

1. Parkeer het product op een vlakke ondergrond en schakel de motor uit.



WAARSCHUWING: Laat de motor afkoelen voordat u het aandrijfsysteem uit- of inschakelt.

2. Verwijder de contactsleutel.
3. Zet het maaidek in de transportstand.
4. Zet de besturingshendels in de neutrale stand.
5. Trek de bypasskoppelingen omhoog en uit de sleuven. (Fig. 42)
6. Schakel het aandrijfsysteem in omgekeerde volgorde in.

Het maaidek in de transportstand of maaistand zetten

Het maaidek moet tijdens transport in de transportstand staan.

- Om het product in de transportstand te zetten, trekt u de maaihogtehendel in de richting van de stoel en zet u de hendel in de hoogste maaihogtestand.
- Stel de juiste maaihogte in om het product in de maaistand te zetten. Zie *Maaihogte afstellen op pagina 143*.

Maaihogte afstellen

1. Trek de maaihogtehendel in de richting van de stoel. (Fig. 43)
2. Zet maaihogtehendel op de inkeping voor de juiste maaihogte.

De motor starten

1. Ga op de stoel zitten.
2. Druk de PTO-knop in om de aandrijving op het maaidek uit te schakelen. (Fig. 38)
3. Zet het maaidek in de transportstand. Zie *Het maaidek in de transportstand of maaistand zetten op pagina 143*.
4. Schakel de parkeerrem in. Zie *De parkeerrem in- en uitschakelen op pagina 142*.
5. Zet de gashendel (A) in de stand voor halfgas. (Fig. 44)
6. Als de motor koud is, trekt u de chokehendel (B) omhoog.
7. Druk de contactsleutel (C) in en draai de sleutel naar de startstand.
8. Laat, zodra de motor start, de contactsleutel meteen los naar de werkstand.

Let op: Houd de contactsleutel niet langer dan 5 seconden achter elkaar in de startpositie. Als de motor niet start, wacht dan 15 seconden voordat u het opnieuw probeert.

9. Als de motor koud is, drukt u de chokehendel langzaam omlaag.
10. Laat de motor 3 tot 5 minuten draaien met halfgas voordat u volgas geeft.
11. Duw de gashendel naar de stand voor volgas.

Het product gebruiken

1. Start de motor. Zie *De motor starten op pagina 143*.
2. Schakel de parkeerrem uit. Zie *De parkeerrem in- en uitschakelen op pagina 142*.
3. Duw de 2 besturingshendels voorzichtig naar voren. Het product begint vooruit te rijden. De voorwaartse snelheid neemt toe naarmate de 2 besturingshendels meer naar voren worden geduwd. (Fig. 45)
4. Trek de 2 besturingshendels voorzichtig naar achteren. Het product begint achteruit te rijden. De achterwaartse snelheid neemt toe naarmate de 2 besturingshendels meer naar achteren worden getrokken.
5. Zet de 2 besturingshendels in de neutrale stand om de snelheid te verlagen en het product te stoppen.
6. Voer de volgende stappen uit om naar links of rechts te draaien als u vooruit rijdt.

- a) Trek de linker besturingshendel naar achteren in de richting van de neutrale stand om het product naar links te laten draaien. Hoe meer u de linker besturingshendel naar achteren trekt, hoe meer het product naar links draait. (Fig. 46)
 - b) Trek de rechter besturingshendel naar achteren in de richting van de neutrale stand om het product naar rechts te laten draaien. Hoe meer u de rechter besturingshendel naar achteren trekt, hoe meer het product naar rechts draait. (Fig. 47)
7. Voer de volgende stappen uit om nauwkeurig op de plek te draaien, wat ook wel zero-turn wordt genoemd.
 - a) Trek de 2 besturingshendels naar achteren in de richting van de neutrale stand om de snelheid te verlagen of het product te stoppen.
 - b) Beweeg 1 besturingshendel iets naar voren en de andere iets naar achteren om een zero-turn te maken.
 8. Zet het maaidek omlaag in de maaistand. Zie *Het maaidek in de transportstand of maaistand zetten op pagina 143*.
 9. Trek aan de PTO-knop om de aandrijving van de messen in te schakelen.
 10. Zie *Maaihoogte afstellen op pagina 143* als het nodig is om de maaihoogte aan te passen tijdens het gebruik.

4. Zet het maaidek in de transportstand.
5. Duw de gashendel naar de stand voor minimaal toerental.
6. Laat de motor minimaal 1 minuut stationair draaien tot de motor de normale bedrijfstemperatuur heeft bereikt.
7. Draai de contactsleutel naar de stoppositie.
8. Haal de contactsleutel uit het contact als u niet bij het product bent.

Een goed maieresultaat verkrijgen

- Voor optimale prestaties adviseren wij u het product te onderhouden volgens het onderhoudsschema. Zie *Onderhoud op pagina 144*.
- Maai geen nat gras. Nat gras kan een slecht maieresultaat opleveren.
- Begin met een hoge maaihoogte en verlaag die geleidelijk.
- Gebruik volgas bij het grasmaaien.
- Rijd het product met lage snelheid vooruit als het gras hoog en dik is.
- Maai het gras in een onregelmatig patroon.
- Wanneer u grote gebieden maait, verplaatst u het product naar rechts tijdens 1 of 2 rondes om het werkgebied. Hierdoor houdt u het uitgeworpen gras uit de buurt van struiken, hekken en opritten. Maai na ongeveer 2 omwentelingen rond het werkgebied in de tegenovergestelde richting. (Fig. 48)
- Als de mulchst wordt gebruikt, moet u vaker het gras maaien.
- Voor het beste maieresultaat maait u het gras regelmatig.

Motor uitschakelen

1. Zet de 2 besturingshendels in de neutrale stand om het product te stoppen.
2. Schakel de parkeerrem in.
3. Druk de PTO-knop in om de aandrijving van de messen uit te schakelen. (Fig. 38)

Onderhoud

Inleiding



WAARSCHUWING: Voordat u onderhoudswerkzaamheden gaat uitvoeren, dient u het hoofdstuk over veiligheid te lezen en hebben begrepen.

X = De instructies zijn opgenomen in deze gebruikershandleiding.

O = Raadpleeg de motorhandleiding voor instructies.

Onderhoudsschema voor de gebruiker

Onderhoudsschema

* = De instructies zijn niet opgenomen in deze bedieningshandleiding.

Onderhoud	Dagelijks onderhoud uitvoeren		Voer minimaal 1 keer per jaar onderhoud uit	Onderhoudsinterval in uren			
	Vóór	Na		25	50	100	300
Controleer de parkeerrem.	X						

Onderhoud	Dagelijks onderhoud uitvoeren		Voer minimaal 1 keer per jaar onderhoud uit	Onderhoudsinterval in uren			
	Vóór	Na		25	50	100	300
Controleer het motoroliepeil.	○						
Controleer het veiligheidssysteem.	X						
Controleer op brandstof- of olie lekkage van het product.	*						
Controleer of het product beschadigd is.		*					
Controleer op losse onderdelen.		*					
Controleer of het maaidek beschadigd is.		*					
Controleer of het maaidek moet worden afgesteld.			X				X
Controleer de bandenspanning.	X			X	X	X	X
Controleer de accu-aansluitingen.			X	X	X	X	X
Controleer de smoorklep-kabel.						○	
Controleer de zwenkwie-len (elke 200 uur).			X			X	
Controleer de speling van de motorklep. ⁷¹			*				*
Reinig de luchtinlaat van de motor. ⁷²			○	○			
Reinig de onderkant van het maaidek.		X					
Reinig het gebied rondom de motor.		*					
Reinig rondom de riemen en de riempeolies.		*			*	*	*
Controleer de riemen en riempeolies.			X			X	
Reinig het schuimvorfiler. ⁷³			○	○			

⁷¹ Dit moet worden gedaan door een erkende servicewerkplaats.

⁷² In omstandigheden met stof moeten reiniging en vervanging vaker plaatsvinden.

⁷³ In omstandigheden met stof moeten reiniging en vervanging vaker plaatsvinden.

Onderhoud	Dagelijks onderhoud uitvoeren		Voer minimaal 1 keer per jaar onderhoud uit	Onderhoudsinterval in uren			
	Vóór	Na		25	50	100	300
Vervang het schuimvoorfilter. ⁷⁴ ⁷⁵			○				
Reinig het papieren filterpatroon. ⁷⁶			○	○			
Controleer de geluiddemper en het vonkenscherm.			*		*	*	*
Start de motor en messen en luister naar ongewone geluiden.		*					
Slijp de messen. ⁷⁷			X	X			
Vervang de messen.			X	X			
Vervang de bougies.			○			○	
Ververs de motorolie. ⁷⁸			○	○			
Vervang het motoroliefilter.			○			○	
Vervang het brandstoffilter.			○			○	
Vervang het papieren luchtfilter. ⁷⁹			○			○	
Voer na 300 uur een onderhoudsbeurt uit. ⁸⁰			*				*

Product reinigen



OPGELET: Gebruik geen hogedrukspuit of stoomreiniger. Water kan in lagers en elektrische aansluitingen dringen en corrosie veroorzaken die tot schade aan het product kan leiden.

Reinig het product direct na gebruik.

- Reinig geen hete oppervlakken zoals de motor, de uitlaatdemper en het uitlaatsysteem. Wacht tot de oppervlakken zijn afgekoeld en verwijder daarna gras of vuil.

- Gebruik eerst een borstel om te reinigen, voordat u water gebruikt. Verwijder gras en vuil van en rondom de transmissie, de luchtinlaat van de transmissie en de motor.
- Gebruik stromend water uit een slang om het product te reinigen. Gebruik geen hogedrukspuit.
- Richt de waterstraal niet op elektronische componenten of lagers. Reinigingsmiddelen kunnen schade veroorzaken.
- Gebruik perslucht om de bovenkant van het maaidek te reinigen.
- Gebruik een waterslang om onder het maaidek te reinigen.
- Start het maaidek na reiniging en laat de motor kort draaien om waterresten te verwijderen.

⁷⁴ In omstandigheden met stof moeten reiniging en vervanging vaker plaatsvinden.

⁷⁵ Als het product is uitgerust met het schuimvoorfilter.

⁷⁶ In omstandigheden met stof moeten reiniging en vervanging vaker plaatsvinden.

⁷⁷ Dit moet worden gedaan door een erkende servicewerkplaats.

⁷⁸ Ververs de motorolie na de eerste 8 tot 10 bedrijfsuren. Onder zware belasting of bij hoge omgevings-temperaturen moet de motorolie om de 50 uur worden ververs.

⁷⁹ In omstandigheden met stof moeten reiniging en vervanging vaker plaatsvinden.

⁸⁰ Dit moet worden gedaan door een erkende servicewerkplaats.

De motor en de uitlaatdemper reinigen

Houd de motor en de uitlaatdemper vrij van grasresten en vuil. Grasresten vol olie of brandstof die in contact komen met de motor, zorgt voor meer kans op brand en kan ook tot oververhitting van de motor leiden. Laat de motor afkoelen voordat u die schoonmaakt. Reinigen met water en een borstel.

Grasresten rond de uitlaatdemper drogen snel en vormen een brandgevaar. Gebruik een borstel of verwijder de grasresten met water wanneer de uitlaatdemper koud is.

De accu reinigen

Corrosie en vuil op de accu en de klemmen kunnen ertoe leiden dat de accu ontladtd.

1. Verwijder de accu. Zie *De accu verwijderen en monteren op pagina 147*.
2. Spoel de accu af met water en laat hem drogen.



OPGELET: Gebruik geen hogedrukspuit of stoomreiniger. Water kan in lagere en elektrische aansluitingen dringen en corrosie veroorzaken die tot schade aan het product kan leiden.

3. Reinig de klemmen en de uiteinden van de accukabels met een staalborstel.

De parkeerrem controleren

1. Parkeer het product op een helling met een hard oppervlak.

Let op: Parkeer het product niet op een grashelling wanneer u de parkeerrem controleert.

2. Schakel de parkeerrem in.
3. Als het product begint te bewegen terwijl de parkeerrem is ingeschakeld, moet u de parkeerrem door een erkende servicewerkplaats laten afstellen.
4. Schakel de parkeerrem uit.

De accu opladen

- Laad de accu op wanneer deze te zwak is om de motor te starten. Zie *Acculaadtijden op pagina 156* voor laadtijden van de accu.
- Gebruik een standaard acculader.



OPGELET: Gebruik geen boostlader of startbooster. Een boostlader of startbooster veroorzaakt schade aan het elektrische systeem van het product.

- Koppel altijd de acculader los alvorens de motor te starten.

Noodstart van motor uitvoeren

Als de accu te zwak is om de motor te starten, kunt u gebruik maken van startkabels om een noodstart uit te voeren. Dit product is voorzien van een 12-volt-systeem met negatieve aarding. Het product dat voor de noodstart wordt gebruikt, moet ook een 12-volt-systeem met negatieve aarding hebben.

Startkabels aansluiten



WAARSCHUWING:

Explosiegevaar door explosief gas dat afkomstig is van de accu. Sluit geen negatieve aansluitklem van de volledig opgeladen accu aan op of in de buurt van de negatieve aansluitklem van de zwakke accu.



OPGELET: Gebruik de accu van het product niet om andere voertuigen te starten.

1. Sluit het ene uiteinde van de rode kabel aan op de PLUSKLEM (+) van de zwakke accu (A). (Fig. 49)
2. Sluit het andere uiteinde van de rode kabel aan op de PLUSKLEM (+) van de volledig opgeladen accu (B).



WAARSCHUWING: Zorg dat de uiteinden van de rode draden geen kortsluiting maken tegen het chassis.

3. Sluit een uiteinde van de zwarte kabel aan op de MINKLEM (-) van de volledig opgeladen accu (C).
4. Sluit het andere uiteinde van de zwarte kabel aan op een CHASSISSMASSA (D), uit de buurt van de brandstoftank en de accu.

Startkabels verwijderen

Let op: Verwijder de startkabels in omgekeerde volgorde van aanbrengen.

1. Verwijder de ZWARTE kabel van het chassis.
2. Verwijder de ZWARTE kabel van de volledig opgeladen accu.
3. Verwijder de RODE kabel van de 2 accu's.

De accu verwijderen en monteren

1. Klap de stoel naar voren. Zie *De stoel naar voren klappen op pagina 142*.
2. Verwijder de bout en de moer van de accubeugel. Verwijder vervolgens de beugel van de accu. (Fig. 50)
3. Gebruik 2 sleutels om de zwarte accukabel los te koppelen van de negatieve (-) accupool.

4. Gebruik 2 sleutels om de rode accukabel los te koppelen van de positieve (+) accupool.
5. Verwijder de accu voorzichtig uit de machine.
6. Monteer in omgekeerde volgorde van verwijderen.

De trackingsnelheid afstellen

Als het product niet recht vooruit rijdt, moet de trackingsnelheid worden afgesteld.



WAARSCHUWING: Stel de trackingsnelheid altijd af in een open gebied zonder omstanders.

1. Controleer de bandenspanning. Zie *Bandenspanning op pagina 148*.
2. Draai de trackingregelaars uit totdat ze op één lijn met de moeren staan. Zie *Productoverzicht op pagina 134* voor de locatie van de trackingregelaars.
3. Start het product.
4. Beweeg de besturingshendels volledig naar voren en gebruik het product met volgas.
5. Draai de rechter trackingregelaar geleidelijk tot het product naar rechts begint te rijden.
6. Draai de linker trackingregelaar geleidelijk tot het product recht vooruit begint te rijden.

Bandenspanning

Zorg ervoor dat alle 4 de banden de juiste bandenspanning hebben. Zie *Technische gegevens op pagina 154*.

De voorwielen verwijderen en monteren

1. Verwijder de moer en de bout om de voorwielen van de vorken te verwijderen. (Fig. 51)
2. Monteer in omgekeerde volgorde van verwijderen. Draai de moer en bout aan met een aanhaalmoment van 67,8 Nm.

De anti-scalp-rollen afstellen

De anti-scalp-rollen zorgen dat het maaidek in de juiste positie op de grond blijft en dat scalperen op de meeste soorten terrein wordt voorkomen. De anti-scalp-rollen kunnen in 3 standen worden gezet voor verschillende graslengtes:

- Bovenste stand: 1,5–2,5 inch / 38–64 mm gras.
 - Middelste stand: 2,5–4 inch / 64–102 mm gras.
 - Onderste stand: 4–5 inch / 102–127 mm gras.
1. Parkeer het product op een vlakke ondergrond en schakel de motor uit.
 2. Verwijder de moer, de bout, de as en de anti-scalp-rol. (Fig. 52)
 3. Monteer de anti-scalp-rol in een van de 3 posities.



OPGELET: Het maaidek kan beschadigd raken als de anti-scalp-rollen onjuist zijn afgesteld. De anti-scalp-rollen moeten zich op ongeveer 1/4 inch / 6,4 mm van de grond bevinden.

De uitlijning van het maaidek afstellen

Deze procedure zet het maaidek in een standaardstand.

1. Zorg voor de juiste bandenspanning. Zie *Bandenspanning op pagina 148*.
2. Parkeer het product op een vlakke ondergrond.
3. Zet het maaidek in de transportstand.
4. Draai de bladuiteinden om ze aan weerskanten uit te lijnen met het maaidek. (Fig. 53)



WAARSCHUWING: De bladen op het maaidek zijn scherp en kunnen letsel veroorzaken. Draag veiligheidshandschoenen.

5. Meet de afstand tussen de grond en de onderkant van het mesuiteinde aan de uitlaatzijde van het maaidek. Noteer de afstand.
6. Meet de afstand tussen de grond en de onderkant van het mesuiteinde aan de kant tegenover de uitlaatzijde. De afstand moet hetzelfde zijn als de afstand voor de uitlaatzijde. Indien aanpassing nodig is, past u de stelmoeren van de hef koppelingen aan tot de twee afstanden aan weerszijden gelijk zijn. Draai de moeren rechtsom voor het verhogen van de hoogte en linksom voor het verlagen van de hoogte. (Fig. 54)
7. Draai de bladen zodat ze van voor naar achter op één lijn liggen met het maaidek.
8. Als de afstand van de punt van het voorste blad aan de achterzijde niet 1/8-1/2 inch / 0,3175-1,27 mm groter is dan aan de voorzijde, moeten de moeren op de voorste ophangingsverbinding worden gedraaid. Draai de moeren rechtsom voor het verhogen van de hoogte en linksom voor het verlagen van de hoogte. (Fig. 55)
9. Meet de afstanden opnieuw om er zeker van te zijn dat het maaidek correct is afgesteld.

De messen inspecteren



OPGELET: Beschadigde of onjuist gebalanceerde messen kunnen schade aan het product veroorzaken. Vervang beschadigde messen. Laat botte messen slijpen en balanceren door een erkende servicewerkplaats.

- Controleer de messen visueel op beschadigingen en of het nodig is om ze te slijpen.

Messen vervangen

1. Verwijder de mesbout.
2. Monteer het nieuwe mes met de zijde zonder stempel in de richting van het maaidek.



WAARSCHUWING: Het gebruik van een onjuist type mes kan ertoe leiden dat objecten uit het maaidek geworpen worden en ernstig letsel veroorzaken. Gebruik alleen goedgekeurde messen.

3. Bevestig de mesbout. Draai de bout aan met een aanhaalmoment van 60-81 Nm.

De dekriem verwijderen

Parkeer het product op een vlakke ondergrond en schakel de parkeerrem in voordat u deze taak uitvoert.

1. Zet het maaidek in de laagste stand.
2. Verwijder de 2 riemafdekkingen.
3. Verwijder vuil of ongewenst materiaal rond het maaihuis en het oppervlak van het maaidek.
4. Noteer de positie van de riemgeleider.
5. Draai de moer op de riemgeleider los. (Fig. 56)
6. Duw de geleiderolarm in om de spanning op de maaidekriem te verminderen en verwijder de maaidekriem voorzichtig van de poelies.
7. Verwijder de maaidekriem van de elektrische koppeling op de motoras.

De maaidekriem aanbrengen

1. Breng de maaidekriem aan rond de poelie van de elektrische koppeling op de motoras.
2. Breng de maaidekriem aan rond de poelies op het maaidek.

Let op: Raadpleeg het plaatje met het riemtraject op het maaidek wanneer u de maaidekriem aanbrengt.

3. Duw de geleiderolarm in tot u de maaidekriem rond de stationaire geleidepoelie kunt aanbrengen.
4. Breng de maaidekriem voorzichtig aan rond de stationaire geleidepoelie en laat de geleiderolarm langzaam los zodat hij terugkeert in de oorspronkelijk stand.
5. Controleer of de riem net zo loopt zoals op het plaatje met het riemtraject is aangegeven.
6. Controleer of de maaidekriem niet verdraaid is.
7. Plaats de riemgeleider in de correcte positie en haal de moer aan.

Let op: Raadpleeg de notitie die u hebt gemaakt bij het verwijderen van de riemgeleider.

8. Monteer de 2 riemkappen.

Het motoroliepeil controleren

1. Parkeer het product op een vlakke ondergrond en schakel de motor uit.
2. Trek het kussen van de bestuurdersstoel open om toegang tot de motor te krijgen.
3. Maak de peilstok los en trek hem eruit.
4. Veeg de olie van de peilstok.
5. Plaats de peilstok in de opening voor de peilstok zet deze vast.
6. Maak de peilstok los, trek hem eruit en lees het oliepeil af.
7. Het oliepeil moet tussen de markeringen op de peilstok staan. Als het peil bijna bij de markering "ADD" staat, moet u olie bijvullen tot de markering "FULL". (Fig. 57)
8. Vul olie bij via de opening voor de peilstok. Vul de olie langzaam bij.

Let op: Zie *Technische gegevens op pagina 154* voor de soorten motorolie die door Husqvarna worden aanbevolen. Meng nooit verschillende soorten olie door elkaar.

9. Zet de peilstok volledig vast voordat u de motor start.

De motorolie verversen

Als de motor koud is, moet u de motor starten en 1-2 minuten laten draaien voordat u de motorolie aftapt. Hierdoor wordt de motorolie warm en is deze sneller af te tappen.



WAARSCHUWING: Laat de motor niet langer dan 1 tot 2 minuten draaien voordat u de motorolie aftapt. De motorolie wordt zeer heet en kan brandwonden veroorzaken. Laat de motor afkoelen voordat u de motorolie aftapt.



WAARSCHUWING: Als u motorolie morst op uw lichaam, was dat dan af met water en zeep.

1. Parkeer het product op een vlakke ondergrond en schakel de motor uit.
2. Schakel de parkeerrem in. Zie *De parkeerrem in- en uitschakelen op pagina 142*.
3. Verwijder al het vuil rond de olietankdop.
4. Verwijder de olietankdop en de peilstok.
5. Installeer de olieaftapslang (A) op het motorolieaftapventiel (B). (Fig. 58)

6. Plaats een opvangbak onder de motor om de motorolie op te vangen.
7. Draai het olieaftapventiel linksom om het olieaftapventiel te openen. Gebruik een moersleutel van 10 mm.
8. Wanneer alle motorolie is afgetapt, draait u het olieaftapventiel rechtsom om deze te sluiten. Gebruik een moersleutel van 10 mm.
9. Gebruik de 10 mm sleutel om het olieaftapventiel te sluiten door deze voorzichtig aan te halen. Haal niet te strak aan.



OPGELET: Haal niet te strak aan wanneer u het olieaftapventiel vastdraait.

10. Verwijder de olieaftapslang van het olieaftapventiel.
11. Vul de motorolietank bij met nieuwe olie en controleer het motoroliepeil opnieuw. Zie *Het motoroliepeil controleren op pagina 149*.
12. Breng de olietankdop en de peilstok aan.

Let op: Voor veilig afvoeren van afgewerkte motorolie, zie *Afvoeren op pagina 153*.

Smering, algemene informatie

- Verwijder de contactsleutel om te voorkomen dat de machine tijdens het smeren onbedoeld gaat draaien.
- Reinig het gebied voordat u een onderdeel op het product smeert.
- Gebruik olie bij het smeren met een oliekan.
- Gebruik bij het smeren met vet een chassis- of kogellagervet dat corrosie voorkomt. Verwijder overtollig vet na het smeren.
- Smeer twee keer per week als u het product dagelijks gebruikt.
- Vermijd het morsen van smeermiddel op de aandrijfriemen of in de groeven van de poelies. Als u morst, maak dan schoon met alcohol. Als de wrijving tussen de aandrijfriem en de poelie niet voldoende is nadat u hebt schoongemaakt met alcohol, vervang dan de aandrijfriem.



OPGELET: Gebruik geen benzine of andere aardolieproducten om aandrijfriemen te reinigen.

Smeerschema

(Fig. 2)

Zie	Smering	Interval			
		Elke dag	Elke 25 uur	Elke 50 uur	Elke 200 uur
Een	Smeer de smeernippel op de scharnieras met een smeerpistool.		X		
B	Controleer het oliepeil.	X			
R	Vervang het oliefilter.				X

Gebruik altijd hoogwaardig vet. Gebruik altijd aanbevolen olie, zie *Technische gegevens op pagina 154*.

De voorwielen smeren

- Smeer de nippel (A) met een vetspuit totdat vet uit de bovenste sluitring komt. (Fig. 59)

- Smeer het gewrichtslager van de voorwielen (B) met een vetspuit tot er vet uitkomt.

Probleemoplossing

Schema voor stringzoeken

Als u in deze bedieningshandleiding geen oplossing voor uw probleem kunt vinden, neem dan contact op met uw Husqvarna-servicewerkplaats.

Probleem	Oorzaak
Motor start niet.	De aandrijving van de messen is ingeschakeld. Zie <i>PTO-knop (aftakas)</i> op pagina 135.
	De bedieningshendels zijn niet in de buitenste stand vergrendeld.
	De accu is te zwak. Zie <i>De accu opladen</i> op pagina 147.
	Vuil in de carburateur of de brandstofleiding.
	De brandstofafsluitkraan is gesloten of staat in de verkeerde stand.
	Het brandstoffilter of de brandstofleiding is verstopt.
	Het ontstekingsstelsel is beschadigd.
De startmotor laat de motor niet aanslaan.	De accu is te zwak. Zie <i>De accu opladen</i> op pagina 147.
	Slecht contact bij de kabelklemmen op de accupolen. Zie <i>De accu reinigen</i> op pagina 147.
	Er is een zekering doorgebrand. Zie <i>Zekeringen</i> op pagina 135.
	De OPC werkt niet correct. Zie <i>Dodemansregeling (OPC)</i> op pagina 134.
De motor loopt niet soepel.	De carburateur is verkeerd afgesteld.
	Het brandstoffilter of de brandstofsproeier is verstopt.
	De gashendel staat in de startpositie voor koud weer.
	De terugslagklep op de brandstoftankdop is verstopt.
	De brandstoftank is bijna leeg.
	De bougie is beschadigd.
	Het brandstofmengsel of het brandstoftype is onjuist.
	Er is water in de brandstof.
	Het luchtfilter is verstopt.
De motor heeft schijnbaar geen vermogen.	Het luchtfilter is verstopt.
	De bougie is beschadigd.
	De carburateur is verkeerd afgesteld.
	Er is lucht in het hydraulische systeem.
Het product trilt.	De messen zitten los. Zie <i>De messen inspecteren</i> op pagina 148.
	Eén of meer messen zijn niet goed uitgebalanceerd. Zie <i>De messen inspecteren</i> op pagina 148.
	De motor zit los.

Probleem	Oorzaak
De motor wordt te heet.	Het luchtfilter of de koelvinnen zijn verstopt.
	De motor is overbelast.
	De luchtstroom rond de motor is niet voldoende.
	De motortoerentalregelaar is beschadigd.
	Het oliepeil is te laag.
	Er zit vuil in de brandstofleiding.
	De bougie is beschadigd.
De accu laadt niet.	Slecht contact bij de kabelklemmen op de accupolen. Zie <i>De accu reinigen op pagina 147</i> .
	De laadkabel is losgekoppeld.
Het product beweegt langzaam, onregelmatig of helemaal niet.	De bypasskoppelingen zijn ingeschakeld.
	De aandrijfriem op de transmissie zit los of is beschadigd.
	Er is lucht in het hydraulische systeem.
De aandrijving van de messen schakelt niet in.	De aandrijfriem op het maaidek zit los.
	Het contact van elektromagnetische koppeling zit los.
	De aandrijving van het mes is beschadigd of de kabelaansluitingen ervan zijn losgeschoten.
	Er is een zekering doorgebrand.
De aandrijflijn lekt olie.	De afdichtingen, behuizing of pakkingen zijn beschadigd.
	Er is lucht in het hydraulische systeem.
Het maaieresultaat is onvoldoende.	De bandenspanning tussen de rechter- en linkerzijde is verschillend. Zie <i>Bandenspanning op pagina 148</i> .
	De messen zijn beschadigd.
	De ophanging van het maaidek is niet waterpas.
	De messen zijn bot. Zie <i>De messen inspecteren op pagina 148</i> .
	Het product wordt bediend met een te hoog toerental voor voor- of achteruit. Zie <i>Een goed maaieresultaat verkrijgen op pagina 144</i> .
	Het gras is lang. Zie <i>Een goed maaieresultaat verkrijgen op pagina 144</i> .
	Gras verstopt het maaidek. Zie <i>Product reinigen op pagina 146</i> .

Vervoer, opslag en verwerking

Transport

- Het product is zwaar en kan letsel door verbrijzeling veroorzaken. Wees voorzichtig wanneer u het product op een voertuig of aanhangwagen laadt of eraf haalt.
- Laad het product achteruit op goedgekeurde oprijplaten met een maximale bedieningshoek van 10°. Til het product niet op.
- Gebruik een goedgekeurde aanhangwagen voor vervoer van het product.

- Zorg dat u de plaatselijk geldende verkeersregels kent voor het vervoeren van het product op een aanhanger of voor rijden op de openbare weg.
- Stop de brandstoftoevoer van het product.
- Vergrendel het product met goedgekeurde hulpmiddelen, zoals riemen. Gebruik vastzetpunten op het product. De parkeerrem is niet voldoende om het product tijdens transport te borgen.

Het product slepen



WAARSCHUWING: Voordat u het product gaat slepen, dient u het hoofdstuk over veiligheid te lezen en hebben begrepen. Zie *De machine veilig als trekker gebruiken op pagina 140*.

- Wees voorzichtig wanneer u het product sleept.
- Gebruik het product langzaam wanneer u het sleept.
- De remafstand wordt groter als u het product sleept. Zorg ervoor dat u de snelheid op tijd verlaagt.
- Maak ruime bochten voor een veilig gebruik.
- Sleep niet in de buurt van sloten, open water en andere gevaarlijke gebieden.

Opslag

Bereid het product voor op opslag aan het eind van het seizoen, en voorafgaand aan opslag langer dan 30 dagen. Als u de brandstof langer dan 30 dagen in de tank laat zitten, kunnen kleverige deeltjes verstopping in de carburateur veroorzaken. Dit heeft een negatief effect op de werking van de motor.

Voeg een stabilisatiemiddel toe aan de brandstof om te voorkomen dat kleverige deeltjes ontstaan tijdens opslag van de machine. Bij gebruik van alkylaatz benzine is toevoegen van een stabilisatiemiddel niet nodig. Als u standaard benzine gebruikt, ga dan niet over op het gebruik van alkylaatz benzine. Hierdoor kunnen kwetsbare rubberen onderdelen hard worden. Voeg een stabilisatiemiddel toe aan de brandstof in de tank of in de jerrycan. Gebruik altijd de mengverhoudingen die de fabrikant voorschrijft. Voeg het stabilisatiemiddel toe en laat de motor minimaal 10 minuten draaien, totdat de brandstof in de carburateur stroomt.



WAARSCHUWING: Zet het product met brandstof in de tank niet binnen of op plekken met een slechte ventilatie. Er is gevaar voor brand als brandstofdampen dicht bij open vuur, vonken of waakvlammen zoals die van boilers, heetwatertanks of wasdrogers komen.



WAARSCHUWING: Verwijder gras, bladeren en andere brandbare materialen van het product om het risico van brand te verkleinen. Laat het product voorafgaand aan opslag afkoelen.

- Reinig het product, zie *Product reinigen op pagina 146*.
- Verwijder ongewenst materiaal van de koelventilator.
- Werk lakbeschadigingen bij om corrosie te voorkomen.
- Inspecteer het product op versleten of beschadigde onderdelen en draai loszittende moeren en schroeven vast.
- Verwijder de accu. Reinig hem, laad hem op en berg hem op een koele plaats op.
- Ververs de motorolie en voer de afgewerkte olie af.
- Leeg de brandstoftank. Start de motor en laat die draaien tot de carburateur leeg is.

Let op: Leeg de brandstoftank en de carburateur niet als u een stabilisatiemiddel aan de tank heeft toegevoegd.

- Verwijder de bougies en giet ongeveer een eetlepel motorolie in elke cilinder. Draai de motoras om de olie aan te brengen en breng de pluggen weer aan.
- Smeer alle smeernippels, koppelingen en assen.
- Stal het product in een schone en droge ruimte, en dek het product af met een hoes voor extra bescherming.

Afvoeren

- Chemicaliën kunnen gevaarlijk zijn en mogen niet worden in de bodem wordt geloosd. Voer gebruikte chemicaliën af naar uw servicepunt of een afvalverwerkingspunt.
- Wanneer het product is versleten, lever het dan in bij uw dealer of een geschikt recyclingbedrijf.
- Olie, oliefilters, brandstof en de accu kunnen negatieve effecten hebben op het milieu. Neem de plaatselijk geldende wet- en regelgeving voor recycling in acht.
- Gooi de accu niet bij het huishoudelijk afval.
- Lever de accu in bij een Husqvarna servicewerkplaats of bij een bedrijf dat oude accu's verwerkt.

Technische gegevens

Technische gegevens

	Z242F
Motor	
Merk/Model	Kawasaki/FR651V
Nominaal motorvermogen, pk / kW ⁸¹	18,6/13,9
Cilinderinhoud, cm ³	726
Max. motoroerental, rpm	2800 ± 100
Brandstof, min. octaangetal loodvrij, max. 10% ethanol, max. 15% MTBE	87
Tankinhoud, gal/l	3,5/13,3
Olie	Klasse SF, SG, SH, SJ or SL SAE40, SAE30, SAE20W-50, SAE10W-40, SAE10W-30, SAE5W-20
Olievolume, incl. filter, oz./l	70,4/2,1
Olievolume, excl. filter, oz./l	60,8/1,8
Smeersysteem	Druk met oliefilter
Koelsysteem	Luchtkoeling
Luchtfilter	Standaardkettingen
Dynamo, V. amp. bij 3600 rpm	12 V 15 A bij 3600 rpm
Startmotor	Elektrische start, 12 V
Afmetingen	
Lengte, inch/cm	75/191
Breedte, inch/cm	41,5/105,4
Breedte inclusief trechter omhoog, inch/cm	48/121,9
Breedte inclusief trechter omlaag, inch/cm	56/142,24
Hoogte, mm	40/102
Gewicht met lege tanks, lb / kg	560/254
Max. helling, graden °	10
Maai breedte, inch / cm	42 / 107
Maaihoogte, inch / cm	1,5-4 / 3,8-10,2
Maaidek	
Dekconstructie	Gefabriceerd
Aantal messen	2
Bladlengte, inch / cm	20,9/53,1

⁸¹ Het door de motorfabrikant aangegeven nominale motorvermogen is het gemiddelde bruto vermogen bij het opgegeven toerental van een typische productiemotor voor het motormodel, dat is gemeten volgens de SAE-normen voor bruto motorvermogen. Zie de motorspecificaties van de motorfabrikant.

	Z242F
Zaagbladkoppeling	Elektromagnetische koppeling
Productiviteit, acres/h / m ² /uur	2,2/8903,08
Banden	
Bandenspanning, achter – voor, kPa / PSI / bar	103 / 15 / 1
Zwenkwielen vóór, inch	11 x 6-5
Achterbanden, pneumatisch voor grasmat, inch	18 x 8,5-8
Anti-scalp-rol	1 afstelbare
Transmissie	
Transmissie	Hydrostatische aandrijflijn
Besturingshendel	Dubbele hendel, handgreep van schuim
Maximumsnelheid vooruit, mph / km/h	6,5/10,5
Maximumsnelheid achteruit, mph / km/h	3,25/5,23
Remmen	Mechanische parkeerrem
Elektrisch systeem	
Type	12 V
Accu	28 A
Bougie	NGK BPR4ES
Afstand tussen de elektroden, inch/mm	0,030 / 0,76
Aanhaalmoment bougie, lb-ft / Nm	16/22
Geluidsemissies ⁸²	
Geluidsvermogeniveau, gemeten dB(A)	100
Geluidsvermogeniveau, gegarandeerd dB(A)	100
Trillingsniveau ⁸³	
Trillingsniveau in stuurwiel, m/s ²	1,30
Trillingsniveau in stoel, m/s ²	0,53

⁸² Geluidsemissie naar de omgeving gemeten als geluidsvermogen (L_{WA}) volgens EG-richtlijn 2000/14/EG. Het gerapporteerde geluidsvermogensniveau voor de machine is gemeten met de originele snijuitrusting die het hoogste niveau geeft. Het verschil tussen gegarandeerd en gemeten geluidsvermogen is dat het gegarandeerde geluidsvermogen ook spreiding in het meetresultaat omvat en de verschillen tussen de verschillende machines van hetzelfde model conform Richtlijn 2000/14/EG.

⁸³ De gerapporteerde gegevens voor het trillingsniveau vertonen een typische statistische spreiding (standaardafwijking) van 1 m/s² (stuurwiel) en 0,8 m/s² (stoel).

Acculaadtijden

STD. accu	Laadstatus	Geschatte laadtijd voor volledig opladen bij 26,5 °C ⁸⁴			
		Maximumsnelheid bij:			
		50 A	30 A	20 A	10 A
12,6 V	100%	Volledig opgeladen			
12,4 V	75%	20 min	35 min	48 min	90 min
12,2 V	50%	45 min	75 min	95 min	180 min
12,0 V	25%	65 min	115 min	145 min	280 min
11,8 V	0%	85 min	150 min	195 min	370 min

Service

Service

Laat uw product jaarlijks door een erkend servicepunt controleren om te zorgen dat het product tijdens het hoogseizoen veilig en optimaal presteert. De beste tijd voor onderhoud of revisie van het product, is het laagseizoen.

Wanneer u onderdelen bestelt, vermeld dan de aanschafdatum, model, type en serienummer.

Gebruik altijd originele reserveonderdelen.

⁸⁴ De laadtijd kan verschillend zijn vanwege de accucapaciteit, conditie, leeftijd, temperatuur en het rendement van de lader.

EU-verklaring van conformiteit

Wij, Husqvarna AB, SE 561 82
Husqvarna, ZWEDEN, verklaren onder onze

alleenverantwoordelijkheid dat het gerepresenteerde
product:

Beschrijving	Zitmaaier met verbrandingsmotor
Merk	Husqvarna
Platform / Type / Model	Z242F
Partij	Serienummer vanaf 2023 en verder

voldoen volledig aan de volgende EU-richtlijnen en
-regelgeving:

Richtlijn/Verordening	Beschrijving
2006/42/EG	"betreffende machines"
2011/65/EU	"beperking van het gebruik van bepaalde gevaarlijke stoffen"
2014/30/EU	"betreffende elektromagnetische compatibiliteit"
2000/14/EG, 2005/88/EG	"betreffende geluid buitenshuis"

Toegepaste geharmoniseerde normen en/of
technische specificaties zijn als volgt: EN
ISO 12100:2010, EN ISO 14982:2009, EN
ISO 5395-1:2013/A1:2018, EN ISO 5395-3:2013/
A1:2017/A2:2018, EN ISO 3744:2010, EN ISO
11094:1991, EN 1032:2009, EN IEC 63000:2018.

In overeenstemming met richtlijn 2000/14/EG, bijlage
VI, staan de verklaarde geluidswaarden vermeld
in de sectie met technische gegevens van deze
handleiding en in de ondertekende EU-verklaring
van conformiteit.

De geleverde zitmaaier met verbrandingsmotor is
conform het geteste exemplaar.

Namens Husqvarna AB, SE 561 82 Husqvarna,
ZWEDEN, Husqvarna, 2023-07-26



Claes Losdal

Verantwoordelijk voor technische documentatie

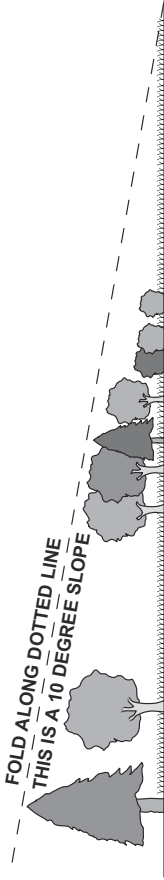


Diagrammen

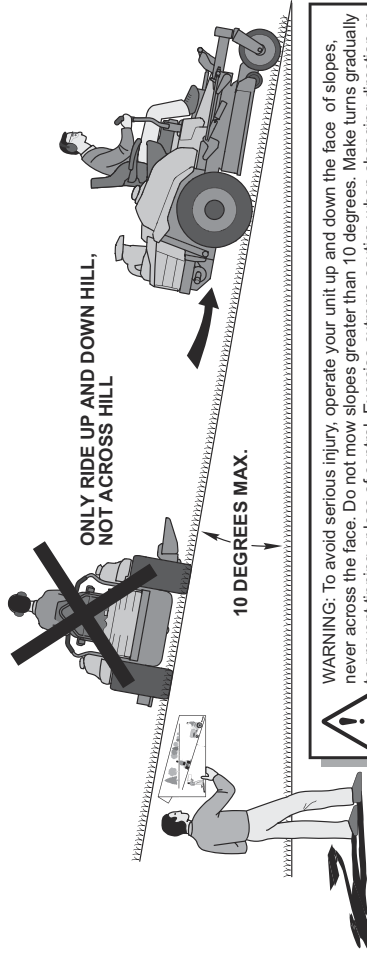
Elektrisch schema

(Fig. 3)

SUGGESTED GUIDE FOR SIGHTING SLOPES FOR SAFE OPERATION



1. Fold this page along dotted line indicated above.
2. Hold page before you so that its left edge is vertically parallel to a tree trunk or other upright structure.
3. Sight across the fold in the direction of hill slope you want to measure.
4. Compare the angle of the fold with the slope of the hill.



WARNING: To avoid serious injury, operate your unit up and down the face of slopes, never across the face. Do not mow slopes greater than 10 degrees. Make turns gradually to prevent tipping or loss of control. Exercise extreme caution when changing direction on slopes. Do not mow near drop-offs, ditches, or embankments. Keep at least the width of the machine away from these hazards.
Failure to follow these warnings could lead to death or serious injury.



Points de collecte sur www.quefairedemesdechets.fr
Privilégiez la réparation ou le don de votre appareil !

Husqvarna®

www.husqvarna.com

Original instructions
Originalanweisungen
Instrucciones originales

Instructions d'origine
Istruzioni originali
Originele instructies

1143764-20 Rev. 0



2023-10-05