



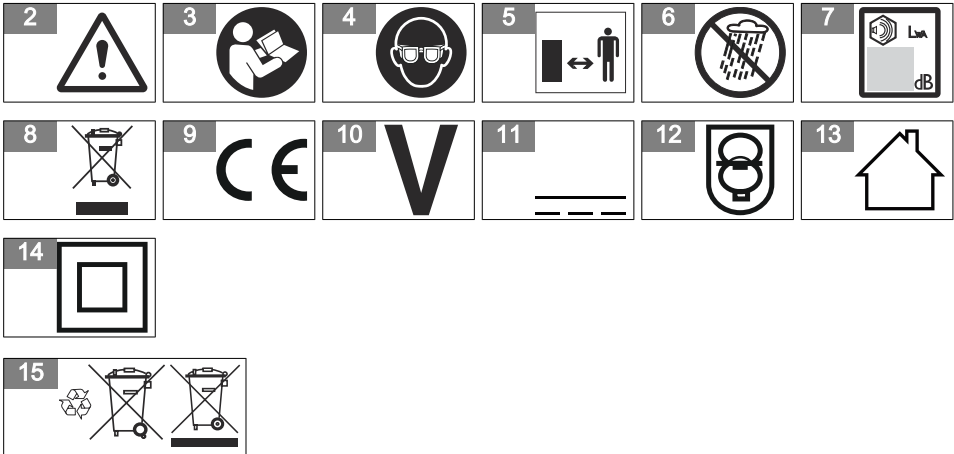
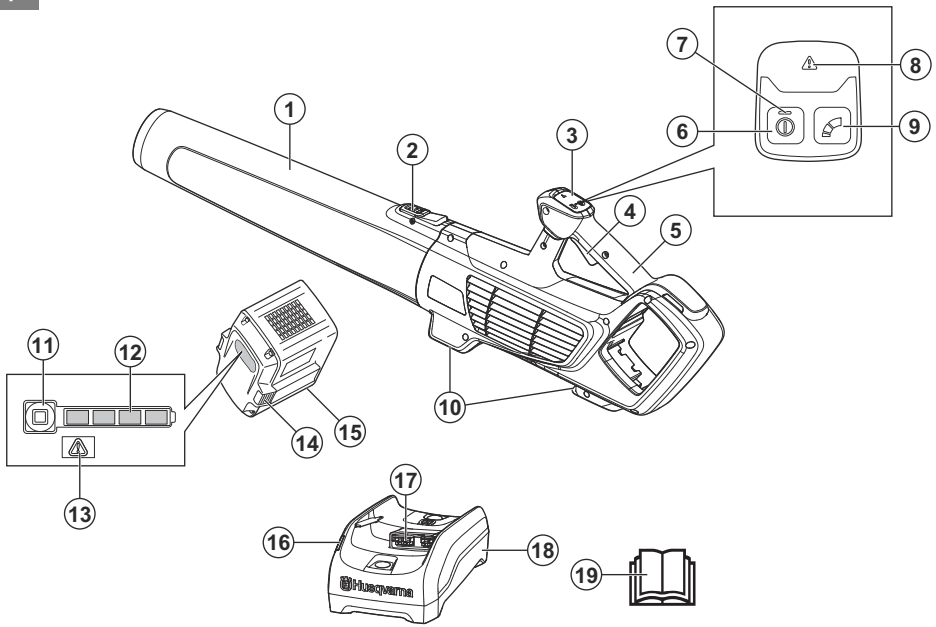
Husqvarna®



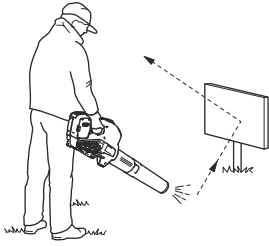
122iB



EN	Operator's manual	6-18
BG	Ръководство за експлоатация	18-34
CS	Návod k použití	34-47
DA	Brugsanvisning	47-60
DE	Bedienungsanweisung	60-76
EL	Οδηγίες χρήσης	76-91
ES	Manual de usuario	91-105
ET	Kasutusjuhend	105-118
FI	Käyttöohje	118-131
FR	Manuel d'utilisation	131-146
HR	Priručnik za korištenje	146-159
HU	Használati utasítás	159-173
IT	Manuale dell'operatore	173-188
JA	取扱説明書	188-201
LT	Operatoriaus vadovas	201-215
LV	Lietošanas pamācība	215-229
NL	Gebruiksaanwijzing	229-244
NO	Bruksanvisning	244-257
PL	Instrukcja obsługi	257-272
PT	Manual do utilizador	272-287
RO	Instrucțiuni de utilizare	287-301
RU	Руководство по эксплуатации	301-317
SK	Návod na obsluhu	317-331
SL	Navodila za uporabo	331-344
SR	Priručnik za rukovaoca	344-357
SV	Bruksanvisning	357-370
TR	Kullanım kılavuzu	370-383
UK	Посібник користувача	383-398



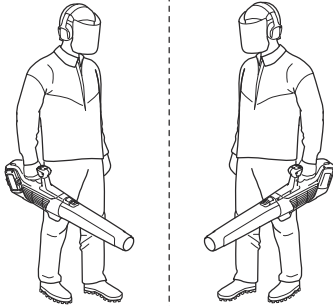
16



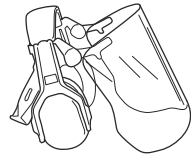
17



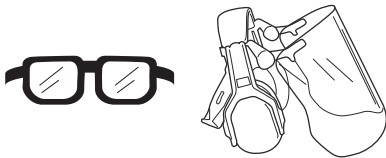
18



19



20



21



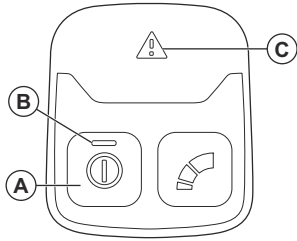
22



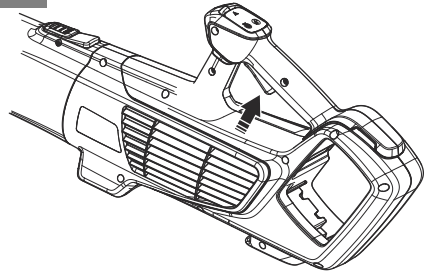
23



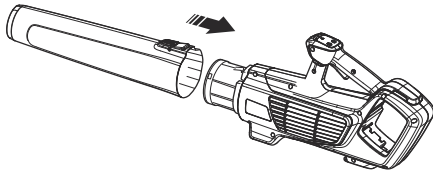
24



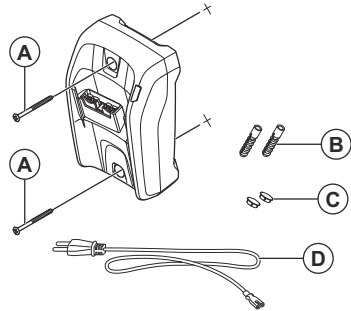
25



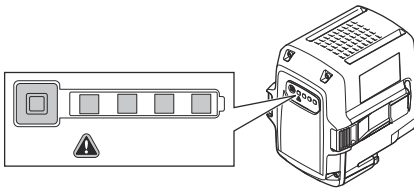
26



27



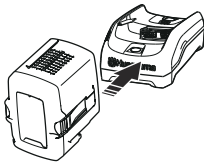
28



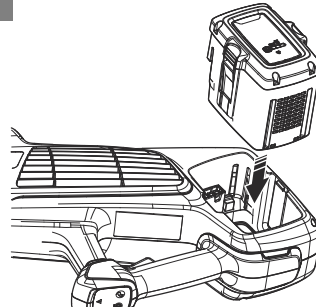
29



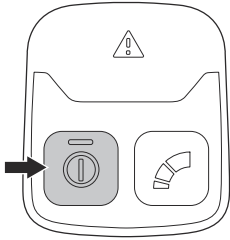
30



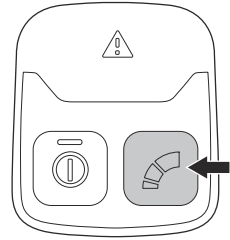
31



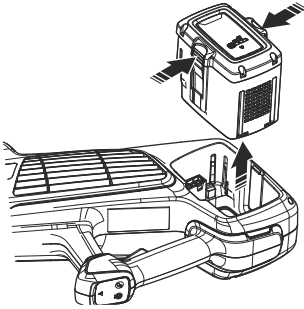
32



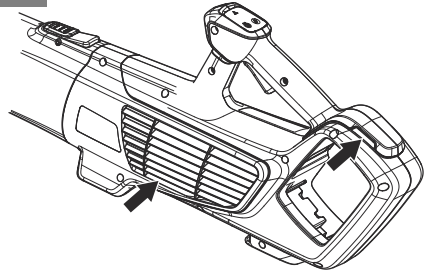
33



34



35



Contents

Introduction.....	6	Troubleshooting.....	15
Safety.....	7	Transportation, storage and disposal.....	16
Assembly.....	12	Technical data.....	16
Operation.....	12	Declaration of Conformity.....	18
Maintenance.....	14		

Introduction

Product overview

(Fig. 1)

1. Blower nozzle
2. Release button for the blower nozzle
3. Keypad
4. Power trigger
5. Handle
6. Power on/off button
7. Power indicator
8. Warning indicator error LED
9. Speed control button
10. Supports
11. Battery indicator button
12. Battery status
13. Battery warning indicator
14. Battery release button
15. Battery
16. Power on and warning indicator
17. Connector
18. Battery charger 40-C80
19. Operator's manual

(Fig. 4) Use approved eye protection.

(Fig. 5) WARNING - Keep bystanders away.

(Fig. 6) Do not expose to rain.

(Fig. 7) Noise emission to the environment label as per EU directives and regulations, and New South Wales legislation "Protection of the Environment Operations (Noise Control) Regulation 2017". The guaranteed sound power level of the product is specified in *Technical data on page 16* and on the label.

(Fig. 8) The product or package of the product is not domestic waste. Recycle it at a recycling station for electrical and electronic equipment.

(Fig. 9) The product complies with the applicable EC directives.

(Fig. 10) Rated voltage, V

(Fig. 11) Direct current.

Product description

The Husqvarna 122iB is a blower model with an electric motor.

Intended use

This product is a reliable and easy-to use handheld blower for all blowing and general clean up tasks around the home and garden.

yyyy wwxxxx | The rating plate shows serial number. **yyyy** is the production year, **ww** is the production week and **xxxx** is the sequential number.

Symbols on the product

(Fig. 2) **WARNING:** This product can be dangerous and cause serious injury or death to the operator or others. Be careful and use the product correctly.

(Fig. 3) Read the operator's manual carefully and make sure that you understand the instructions before you use the product.

Note: Other symbols/decals on the product refer to special certification requirements for certain markets.

Symbols on the battery and/or on the battery charger

(Fig. 12) Fail-safe transformer.

(Fig. 13) Use and keep the battery charger indoors only.

(Fig. 14) Double insulation.

(Fig. 15)

Recycle this product at a recycling station for electrical and electronic equipment. (Applies to Europe only)

- the product is incorrectly repaired.
- the product is repaired with parts that are not from the manufacturer or not approved by the manufacturer.
- the product has an accessory that is not from the manufacturer or not approved by the manufacturer.
- the product is not repaired at an approved service center or by an approved authority.

Manufacturer

Husqvarna AB

Drottninggatan 2, SE-561 82 Huskvarna

Product damage

We are not responsible for damages to our product if:

Safety

Safety definitions

Warnings, cautions and notes are used to point out specially important parts of the manual.



WARNING: Used if there is a risk of injury or death for the operator or bystanders if the instructions in the manual are not obeyed.



CAUTION: Used if there is a risk of damage to the product, other materials or the adjacent area if the instructions in the manual are not obeyed.

Note: Used to give more information that is necessary in a given situation.

General machine safety warnings



WARNING: Read all safety warnings, instructions, illustrations and specifications provided with this machine. *Failure to follow all instructions listed below may result in electric shock, fire and/or serious injury.*

Save all warnings and instructions for future reference.

Note: *The term "machine" in the warnings refers to your mains-operated (corded) machine or battery-operated (cordless) machine.*

Work area safety

- **Keep work area clean and well lit.** Cluttered or dark areas invite accidents.
- **Do not operate machine in explosive atmospheres, such as in the presence of flammable liquids, gases**

or dust. Machines create sparks which may ignite the dust or fumes.

- **Keep children and bystanders away while operating a machine.** Distractions can cause you to lose control.

Electrical safety

- **Machine plugs must match the outlet. Never modify the plug in any way. Do not use any adapter plugs with earthed (grounded) machines.** Unmodified plugs and matching outlets will reduce risk of electric shock.
- **Avoid body contact with earthed or grounded surfaces, such as pipes, radiators, ranges and refrigerators.** There is an increased risk of electric shock if your body is earthed or grounded.
- **Do not expose machines to rain or wet conditions.** Water entering a machine will increase the risk of electric shock.
- **Do not abuse the cord. Never use the cord for carrying, pulling or unplugging the machine. Keep cord away from heat, oil, sharp edges or moving parts.** Damaged or entangled cords increase the risk of electric shock.
- **When operating a machine outdoors, use an extension cord suitable for outdoor use.** Use of a cord suitable for outdoor use reduces the risk of electric shock.
- **If operating a machine in a damp location is unavoidable, use a residual current device (RCD) protected supply.** Use of a RCD reduces the risk of electric shock.

Personal safety

- **Stay alert, watch what you are doing and use common sense when operating a machine. Do not use a machine while you are tired or under the influence of drugs, alcohol or medication.** A moment of inattention while operating machines may result in serious personal injury.

- **Use personal protective equipment. Always wear eye protection.** Protective equipment such as dust mask, non-skid safety shoes, hard hat or hearing protection used for appropriate conditions will reduce personal injuries.
- **Prevent unintentional starting. Ensure the switch is in the OFF-position before connecting to a power source and/or battery pack, picking up or carrying the machine.** Carrying machines with your finger on the switch or energising machines that have the switch on invites accidents.
- **Remove any adjusting key or wrench before turning the machine on.** A wrench or a key left attached to a rotating part of the machine may result in personal injury.
- **Do not overreach. Keep proper footing and balance at all times.** This enables better control of the machine in unexpected situations.
- **Dress properly. Do not wear loose clothing or jewellery. Keep your hair and clothing away from moving parts.** Loose clothes, jewellery or long hair can be caught in moving parts.
- **If devices are provided for the connection of dust extraction and collection facilities, ensure these are connected and properly used.** Use of dust collection can reduce dust-related hazards.
- **Do not let familiarity gained from frequent use of machines allow you to become complacent and ignore machine safety principles.** A careless action can cause severe injury within a fraction of a second.

Machine use and care

- **Do not force the machine. Use the correct machine for your application.** The correct machine will do the job better and safer at the rate for which it was designed.
- **Do not use the machine if the switch does not turn it on and off.** Any machine that does not be controlled with the switch is dangerous and must be repaired.
- **Disconnect the plug from the power source and/or remove the battery pack, if detachable, from the machine before making any adjustments, changing accessories, or storing machines.** Such preventive safety measures reduce the risk of starting the machine accidentally.
- **Store idle machines out of the reach of children and do not allow persons unfamiliar with the machines or these instructions to operate the machines.** Machines are dangerous in the hands of untrained users.
- **Maintain machines and accessories. Check for misalignment or binding of moving parts, breakage of parts and any other condition that may affect the machines's operation. If damaged, have the machine repaired before use.** Many accidents are caused by poorly maintained machines.
- **Keep cutting machines sharp and clean.** Properly maintained cutting machines with sharp cutting edges are less likely to bind and are easier to control.

- **Use the machine, accessories and bits etc. in accordance with these instructions, taking into account the working conditions and the work to be performed.** Use of the machine for operations different from those intended could result in a hazardous situation.
- **Keep handles and grasping surfaces dry, clean and free from oil and grease.** Slippery handles and grasping surfaces do not allow for safe handling and control of the machine in unexpected situations.

Battery machine use and care

- **Recharge only with the charger specified by the manufacturer.** A charger that is suitable for one type of battery pack may create a risk of fire when used with another battery pack.
- **Use machines only with specifically designated battery packs.** Use of any other battery packs may create a risk of injury and fire.
- **When battery pack is not in use, keep it away from other metal objects, like paper clips, coins, keys, nails, screws or other small metal objects, that can make a connection from one terminal to another.** Shorting the battery terminals together may cause burns or a fire.
- **Under abusive conditions, liquid may be ejected from the battery; avoid contact. If contact accidentally occurs, flush with water. If liquid contacts eyes, additionally seek medical help.** Liquid ejected from the battery may cause irritations or burns.
- **Do not use a battery pack or machine that is damaged or modified.** Damaged or modified batteries may exhibit unpredictable behaviour resulting in fire, explosion or risk of injury.
- **Do not expose a battery pack or machine to fire or excessive temperature.** Exposure to fire or temperature above 130 °C / 265 °F may cause explosion.
- **Follow all charging instructions and do not charge the battery pack or machine outside the temperature range specified in the instructions.** Charging improperly or at temperatures outside the specified range may damage the battery and increase the risk of fire.

Service

- **Have your machine serviced by a qualified repair person using only identical replacement parts.** This will ensure that the safety of the machine is maintained.
- **Never service damaged battery packs.** Service of battery packs should only be performed by the manufacturer or authorized service providers.

Garden blower safety warnings

- **Do not use the garden blower in bad weather conditions, especially when there is a risk of lightning.** This decreases the risk of being struck by lightning.

- **Wear eye protection.** Adequate protective equipment will reduce the risk of personal injury.
- **While operating the garden blower, always wear non-slip and protective footwear. Do not operate the garden blower when barefoot or wearing open sandals.** This reduces the risk of injury to the feet.
- **Do not wear loose fitting clothing or articles such as scarves, strings, chains, ties, etc., that could get drawn into the air inlets. Tie back or cover long hair to make sure it does not get drawn into the air inlets.** If any of these items are drawn into the air inlets, it can increase the risk of personal injury.
- **Keep bystanders away while operating the garden blower.** Thrown debris can increase the risk of personal injury.
- **Never point the blower nozzle in the direction of people or pets or in the direction of windows. Use extra caution when blowing debris near solid objects, such as trees, automobiles and walls that can cause debris to ricochet.** Thrown objects can damage property and increase the risk of personal injury.
- **Do not use the garden blower to blow anything that is burning or smoking, such as cigarettes, matches or hot ashes.** These ignition sources may increase the risk of fire.
- **Do not touch the fan while still in motion. Turn off the garden blower and wait until the fan stops before removing any part that may give access to the fan.** This reduces the risk of injury from moving parts.
- **When clearing jammed material or servicing the garden blower, make sure the power switch is off.** Unexpected starting of the garden blower while clearing jammed material or servicing may result in serious personal injury.
- Keep the product clean. Make sure that you can clearly read signs and decals.
- Never allow children or people unfamiliar with these instructions to use the appliance. Local regulations may restrict the age of the operator.
- Always monitor a person, with decreased physical capacity or mental capacity, that uses the product. A responsible adult must be there at all times.
- Do not use the product if you are tired, ill, or under the influence of alcohol, drugs or medicine. This has a negative effect on your vision, alertness, coordination and judgment.
- Do not use the product if it is damaged or does not operate correctly.
- Do not change this product or use it if it is possible that it has been changed by others.

Work safety



WARNING: Read the warning instructions that follow before you use the product.

- Use personal protective equipment. Refer to *Personal protective equipment on page 10*.
- Make sure that you know how to stop the motor quickly in an emergency.
- Do not operate the product in rain or wet conditions. The risk of electrical shock increases if water enters the product.
- Always stay behind the product when you operate it.
- Never lift up the product when the motor is started. If you must lift the product, stop the motor and remove the battery.
- Do not walk rearward when you operate the product.
- Stop the motor when it is necessary to tilt the product for transportation or before you move across areas without grass, for example paths made of gravel, stone and asphalt.
- Do not run with the product when the motor is started. Always walk when you operate the product.
- The vibrations in the product during operation can be different from the declared vibration value in *Technical data on page 16*. The difference is caused by variations in how the product is used. If you operate the product frequently or for long periods of time, take breaks regularly to prevent injury from vibrations.

General safety instructions



WARNING: Read the warning instructions that follow before you use the product.

- This product is dangerous if used incorrectly or if you are not careful. Injury or death can occur if you do not obey the safety instructions.
- This product produces an electromagnetic field during operation. This field may under some circumstances interfere with active or passive medical implants. To reduce the risk of serious or fatal injury we recommend persons with medical implants to consult their physician and the medical implant manufacturer before operating this product.
- Always be careful and use your common sense. If you are not sure how to operate the product in a special situation, stop and speak to your Husqvarna dealer before you continue.
- Keep in mind that the operator will be held responsible for accidents that involve other persons or their property.



WARNING: Read the warning instructions that follow before you use the product.

- If you encounter a situation where you are uncertain how to proceed you should ask an expert. Contact your dealer or your service workshop. Avoid all

usage which you consider to be beyond your capability.

- Make sure that you can move and stand safely. Check the area around you for possible obstacles (roots, rocks, branches, ditches, etcetera) in case you have to move suddenly. Take great care when you work on sloping ground.
- Keep a good balance and a firm foothold at all times. Do not overreach.
- Listen out for warning signals or shouts when you wear hearing protection. Always remove your hearing protection as soon as the product stops.
- Do not operate the product near open windows.
- Show consideration to persons in your surroundings by avoiding using the product at unsuitable times, such as late in the evening or early in the morning. Follow local regulations and ordinances.
- Use the product with the lowest possible airflow. It is seldom necessary to use full airflow, and many work procedures can be done at half airflow. A lower airflow means less noise and less dust, and it is also easier to keep control over the rubbish collected together/moved.
- In dusty conditions slightly dampen the surface when using the product.
- Use a rake or a brush to release rubbish stuck to the ground.
- Hold the opening of the blower as close to the ground as possible.
- Observe your surroundings. Direct the product away from persons, animals, play areas, cars etc..
- Minimize the blowing time by lightly wetting dusty areas or using spray equipment.
- Be aware of the wind direction. Work with the wind to make your work easier.
- Stop the product and remove the battery if the product starts to vibrate abnormally.
- Using the blower to move large piles is time consuming and creates unnecessary noise.
- Clean up afterwards. Make sure that you have not blown rubbish into someone's garden.
- Do not run with the product.
- The powerful currents of air can move objects at such a speed that they can bounce back and cause serious eye injuries.

(Fig. 16)

- Do not direct the airflow towards people or animals.
- Stop the motor before you assemble or dismantle accessories or other parts.
- Keep all parts of your body away from hot surfaces.
- Never put the product down when it is activated unless you have it in clear sight.
- The blower must not be used while on a ladder or scaffolding.

(Fig. 17)

- Do not use the product unless you are able to call for help in case of an accident.

- Watch out for thrown objects. Stones, rubbish, etc., can be thrown up into the eyes causing blindness or serious injury.
- Use a residual-current device (RCI) for increased security when you charge the product. A residual-current device is fitted to protect operators in case an electrical fault should occur.
- This product is renowned for its low vibration load. Overexposure to vibration can lead to circulatory damage or nerve damage in people who have impaired circulation. Contact your doctor if you experience symptoms of overexposure to vibration. Such symptoms include numbness, loss of feeling, tingling, pricking, pain, loss of strength, changes in skin colour or condition. These symptoms normally appear in the fingers, hands or wrists.
- Only use the product for the purpose it was intended for.
- It is not possible to cover every conceivable situation you can face. Always exercise care and use your common sense. Avoid all situations which you consider to be beyond your capability. If you still feel uncertain about operating procedures after reading these instructions, you should consult an expert before continuing.
- Always use right/left hand to hold the product. Hold the product on the side of your body.

(Fig. 18)

Personal protective equipment



WARNING: Read the warning instructions that follow before you use the product.

- Always use approved personal protective equipment when you use the product. Personal protective equipment cannot fully prevent injury but it decreases the degree of injury if an accident does occur. Let your dealer help you select the right equipment.
- Use approved hearing protection.

(Fig. 19)

- Use approved eye protection. If you use a visor, you must also use approved protective goggles. Approved protective goggles must comply with the ANSI Z87.1 standard in the USA or EN 166 in EU countries.

(Fig. 20)

- Use gloves when it is necessary.

(Fig. 21)

- Use protective boots with steel toe-cap and non-slip soles.

(Fig. 22)

- Use clothing made of a strong fabric. Always use heavy, long pants and long sleeves. Do not use loose clothing that can catch on twigs and branches.

Do not use jewelry, short pants or sandals. Do not go with bare feet. Put your hair up safely above shoulder level.

- Keep first aid equipment close at hand.

(Fig. 23)

Safety devices on the product



WARNING: Read the warning instructions that follow before you use the product.

- In this section the product's safety features, its purpose and how checks and maintenance should be carried out to ensure that it operates correctly. See instructions under the heading *Product overview on page 6* to find where these parts are located on your product.
- The life span of the product can be reduced and the risk of accidents can increase if product maintenance is not carried out correctly and if service and/or repairs are not carried out professionally. If you need further information please contact your nearest servicing dealer.
- Never use a product with damaged safety components. The product's safety equipment must be inspected and maintained as described in this section. If your product fails any of these checks, contact your service agent to get it repaired.
- All servicing and repair work on the product requires special training. This is especially true of the product's safety equipment. If your product fails any of the checks described below you must contact your service agent. When you buy any of our products we guarantee the availability of professional repairs and service. If the retailer who sells your product is not a servicing dealer, ask him for the address of your nearest service agent.

To do a check of the keypad

1. Push and hold the ON/OFF button (A) until the power indicator (B) comes on. (Fig. 24)
2. Refer to *Troubleshooting on page 15* if the warning indicator (C) comes on or flashes.

To do a check of the power trigger

- Push and release the power trigger to make sure that it moves freely. (Fig. 25)

Battery safety



WARNING: Read the warning instructions that follow before you use the product.

- The recommended battery is 40-B series. The batteries are software encrypted.
- Use the 40-B series battery that is rechargeable as a power supply for the related Husqvarna products

only. To prevent injury, do not use the battery as a power supply for other devices.

- Risk of electrical shock. Do not connect the battery terminals to keys, screws or other metal. This can cause a short circuit of the battery.
- Do not use batteries that are non-rechargeable.
- Do not put objects into the air slots of the battery.
- Keep the battery away from sunlight, heat or open flame. The battery can cause burns and/or chemical burns.
- Keep the battery away from rain and wet conditions.
- Keep the battery away from microwaves and high pressure.
- Do not try to disassemble or break the battery.
- Do not let battery acid touch your skin. Battery acid causes injuries to the skin, corrosion and burns. If you get battery acid in your eyes, do not rub but flush with water for minimum 15 minutes. If battery acid has touched your skin, you must clean the skin with a large quantity of water and soap. Get medical aid.
- Use the battery in temperatures between -10 °C (14 °F) and 40 °C (104 °F).
- Do not clean the battery or the battery charger with water. See *To clean the product, the battery and the battery charger on page 14*.
- Do not use a damaged battery.
- Keep batteries in storage away from metal objects such as nails, screws or jewelry.
- Keep the battery away from children.

Battery charger safety



WARNING: Read the warning instructions that follow before you use the product.

- Risk of electrical shock or short circuit if the safety instructions are not obeyed.
- Do not use other battery chargers than the one supplied for your product. Only use 40-C80 chargers when you charge 40-B series replacement batteries.
- Do not try to disassemble the battery charger.
- Do not use a battery charger that is damaged or does not operate correctly.
- Do not lift the battery charger by the power cord. To disconnect the battery charger from a mains socket, pull out the plug. Do not pull the power cord.
- Keep all cables and extension cables away from water, oil and sharp edges. Make sure that the cable is not caught between objects, for example, doors, fences or equivalent.
- Do not use the battery charger near flammable materials or materials that can cause corrosion. Make sure that the battery charger is not covered. Pull out the plug to the battery charger if there is smoke or fire.

- Only charge the battery indoors in a location with good airflow and away from sunlight. Do not charge the battery outdoors. Do not charge the battery in wet conditions.
- Only use the battery charger where the temperature is between 5 °C (41 °F) and 40 °C (104 °F). Use the charger in an environment which has a good airflow, dry and no dust.
- Do not put objects into the cooling slots of the battery charger.
- Do not connect the battery charger terminals to metal objects as this can short circuit the battery charger.
- Use approved mains sockets that are not damaged. Make sure that the power cord of the battery charger is not damaged. If extension cables are used, make sure that the extension cables are not damaged.
- Do not charge non-rechargeable batteries in the battery chargers.
- Remove the battery before you do maintenance, other checks or assemble the product.
- The operator must only do the maintenance and servicing shown in this operator's manual. Turn to your servicing dealer for maintenance and servicing of a larger extension.
- Do not clean the battery or the battery charger with water. Strong detergent can cause damage to the plastic.
- If you do not do maintenance, it decreases the life cycle of the product and increases the risk of accidents.
- Special training is necessary for all servicing and repair work, especially for the safety devices on the product. If not all checks in this operator's manual are approved after you have done maintenance, turn to your servicing dealer. We guarantee that there are professional repairs and servicing available for your product.
- Only use original spare parts.

Safety instructions for maintenance



WARNING: Read the warning instructions that follow before you do maintenance on the product.

Assembly

Introduction



WARNING: Read and understand the safety chapter before you assemble the product.

To install the nozzle

1. Put the nozzle on the front end of the product. (Fig. 26)
2. Push in the nozzle until you hear a click.

To install the battery charger 40-C80 on the wall



CAUTION: Do not use an electric screwdriver to install the battery charger to the wall. An electric screwdriver can cause damage to the battery charger.

1. Attach the battery charger on the wall with the 2 screws (A). Use wall plugs (B) if it is necessary. (Fig. 27)
2. Attach the 2 screw hole plugs (C).
3. Connect the power cord (D) to the battery charger on a main socket.

Operation

Introduction



WARNING: Read and understand the safety chapter before you use the product.

To do a function check before you use the product

1. Do a check of the air inlet for dirt and cracks. Use a brush and clean off grass and leaves from the product. Refer to *To do a check of the air intake on page 14.*

2. Make sure that the product works correctly.
3. Do a check of all nuts and screws and make sure that they are tight.

Battery



WARNING: Before you use the battery, you must read and understand the safety chapter. You must also read and understand the operator's manual for the battery and the battery charger.

Keep the battery and the battery charger in correct ambient temperatures.

	Ambient temperature
Operation of the product	-5 °C – 40 °C / 23 °F - 104 °F
Charging of the battery	5 °C – 40 °C / 41 °F - 104 °F

Battery LED indicator

The display shows the state of charge and if there are problems with the battery.
(Fig. 28)

LED indicator	Battery status (state of charge)
	40-B140
4 LED lights are on	The battery is 76% - 100% charged.
3 LED lights are on	The battery is 51% - 75% charged.
2 LED lights are on	The battery is 26% - 50% charged.
1 LED light is on	The battery is 6% - 25% charged.
1 LED light flashes	The battery is 0% - 5% charged.

To charge the battery

Charge the battery if it is the first time that you use it. A new battery is only 30% charged.



CAUTION: Connect the battery charger to a power outlet with the voltage and frequency that is specified on the rating plate.

The battery does not charge if the battery temperature is more than 50 °C/122 °F.

1. Connect the power cord to the battery charger.
2. Connect the battery charger to a grounded power outlet. The charging LED flashes one time. (Fig. 29)
3. Connect the battery to the battery charger. The charging LED comes on. Charge the battery for maximum 24 hours. (Fig. 30)
4. Push the battery indicator button, if all the LED indicators come on, the battery is fully charged.
5. Pull the power plug to disconnect the battery charger from the power outlet. Do not pull the power cord.
6. Remove the battery from the battery charger.

To connect the battery to the product



WARNING: Only use the recommended Husqvarnabattery for the product.

1. Make sure that the battery is fully charged.
2. Push the battery into the battery holder until you hear a click. The battery must move easily. If not, it is not installed correctly. (Fig. 31)

To start the product

1. Push and hold the start button until the green LED comes on. (Fig. 32)
2. Use the power trigger to operate the product.

To set the optimal airflow for your work

- Push the speed control button to set the airflow. There are 3 airflow steps. (Fig. 33)

To stop the product

1. Release the power trigger.
2. Push and hold the power button until the green LED comes off.
3. Push the release button and pull out the battery. (Fig. 34)

Automatic shutdown function

The product has an automatic shutdown function that stops the product if it is not used. The green LED power indicator goes off and the product stops after 3 minutes.

Maintenance

Introduction



WARNING: Before you do any maintenance work you must read and understand the safety chapter.

Maintenance schedule



WARNING: Remove the battery before you do maintenance.

The following is a list of the maintenance steps that you must do on the product.

Maintenance	Daily	Weekly	Monthly
Clean the product with a clean and dry cloth. Do not use water.	X		
Make sure that the handles dry and clean.	X		
Do a check of the keypad.	X		
Do a check of the power trigger.	X		
Make sure that nuts and screws are tight.	X		
Make sure that the battery is not damaged.	X		
Do a check of the battery's charge.	X		
Make sure that the release buttons on the battery is not damaged and locks the battery into the product.	X		
Make sure that the battery charger is not damaged.	X		
Make sure that all couplings, connections and cables are clean and not damaged.		X	
Do a check of the connections on the battery, on the battery charger and on the product.			X

To do a check of the air intake

1. Make sure that there is no blockage in the air intake. (Fig. 35)
2. Stop the product and remove unwanted material if it is necessary.



CAUTION: A blocked air intake decreases the blow capacity of the product and increases the work temperature of the motor. This can result in motor failure because the motor becomes too hot.

To examine the battery and the battery charger

1. Examine the battery for damages, for example cracks.

2. Examine the battery charger for damages, for example cracks.
3. Make sure that the connection cord of the battery charger is not damaged and that there are no cracks in it.

To clean the product, the battery and the battery charger

1. Clean the product with a dry cloth after use.
2. Clean the battery and battery charger with a dry cloth. Keep the battery guide tracks clean.
3. Make sure that the terminals on the battery and the battery charger are clean before the battery is put in the battery charger or the product.

Troubleshooting

Keypad

LED Screen	Possible faults	Possible solutions
The red error LED flashes	Temperature deviation.	Let the product become cool.
	Dirt in the battery connectors or the fan is blocked.	Clean with compressed air or a soft brush.
	The battery is empty.	Charge the battery.
	The battery is damaged.	Speak to your servicing agent.

Battery

LED Screen	Possible faults	Possible solutions
The green LED light flashes.	Low battery voltage.	Charge the battery.
The error LED light flashes.	Temperature deviation.	Use the battery in temperatures between -5 °C – 40 °C / 23 °F - 104 °F.
	Too high voltage.	Make sure that the mains voltage aligns with the voltage stated on the rating plate of the product. Remove the battery from the battery charger.
The error LED light is on.	Cell difference is too much (1V).	Speak to your servicing dealer.

Battery charger

LED Screen	Possible faults	Possible solutions
The charging LED indicator is solid red.	The battery charger is damaged.	Speak to your servicing dealer.
The charging LED indicator flashes green.	The battery temperature is out of the charging range.	Let the battery cool down or warm it up. When the battery has the correct temperature, it can be used or charged again. Use the battery charger in ambient temperature between 5 °C – 40 °C / 41 °F - 104 °F.
The charging LED indicator flashes red.	The battery is damaged.	Speak to your servicing dealer.

Transportation, storage and disposal

Transportation and storage

- The supplied Li-ion batteries obey the Dangerous Goods Legislation requirements.
- Obey the special requirement on package and labels for commercial transportation, including by third parties and forwarding agents.
- Speak to a person with special training in dangerous material before you send the product. Obey all applicable national regulations.
- Use tape on open contacts when you put the battery in a package. Put the battery in the package tightly to prevent movement.
- Remove the battery for storage or transportation.
- Put the battery and the battery charger in a space that is dry and free from moisture and frost.
- Do not keep the battery in an area where static electricity can occur. Do not keep the battery in a metal box.
- Put the battery in storage where the temperature is between 5°C / 41°F and 25°C / 77°F and away from open sunlight.
- Put the battery charger in storage where the temperature is between 5 °C/41 °F and 45°C/113°F and away from open sunlight.
- Use the battery charger only when the surrounding temperature is between 5 °C – 40 °C / 41 °F - 104 °F.

- Charge the battery 30% to 50% before you put it in storage for long periods.
- Put the product in storage where the temperatures between -40°C/-40°F to +60°C/140°F
- Put the battery charger in storage in a space that is closed and dry.
- Keep the battery away from the battery charger during storage. Do not let children and other not approved persons to touch the equipment. Keep the equipment in a space that you can lock.
- Clean the product and do a full service before you put the product in storage for a long time.
- Attach the product safely during transportation.

Disposal of the battery, battery charger and product

Symbols on the product or the package of the product means that the product is not domestic waste. Recycle it at a recycling station for electrical and electronic equipment. This helps to prevent damage to the environment and to persons.

Get in touch with your local authorities, domestic waste service or your dealer for more information about how to recycle your product.

Technical data

Technical data

	122iB
Motor	
Motor type	PMDC
Weight	
Weight without battery, kg	1.9
Noise emissions, sound levels, ^{1 2}	
Sound power level, measured dB (A)	92.2
Sound power level, guaranteed L _{WA} dB (A)	93
Equivalent sound pressure level at the operator's ear, measured according to EN IEC 62841-4-6 and ISO 22868, dB (A):	82.8

¹ Noise emissions in the environment measured as sound power (L_{WA}) in conformity with EC directive 2000/14/EC, has a typical statistical dispersion (standard deviation) of 1.0 dB(A).

² Reported data for equivalent sound pressure level for the machine has a typical statistical dispersion (standard deviation) of 1.3 dB (A).

	122IB
Vibration levels ³	
Vibrations levels at handles, measured according to EN IEC 62841-4-6, m/s ²	1.13
Fan performance	
Peak volumetric flow rate, m ³ /h	865
Peak theoretical velocity, m/s	53
Blow force, N	11

Noise and vibration data are determined on the basis of the rated maximum speed.

Note: The declared vibration total value and declared noise emission values have been measured in accordance with a standard test method and can be used for comparing on tool with another.

Note: The declared vibration total value and declared noise emission values can also be used in a preliminary assessment of exposure.

Note: The vibration emission and noise emission during actual use of the product can differ from the declared total value depending on how the product is used. It is necessary to identify safety measures to protect the operator, based on an estimation of exposure in the actual conditions of use. Include all parts of the operation cycle in the estimation, such as the times when the product is switched off and when it is running idle in addition to the trigger time.

Approved batteries for the product

Battery	40-B140
Type	Lithium-ion
Battery capacity, Ah	Refer to battery rating decal
Nominal voltage, V	36
Weight, kg/lb	1.25/2.76

Approved battery chargers

Battery charger	40-C80
Input voltage, V	100-240
Frequency, Hz	50–60
Power, W	72
Output voltage, V d.c / Amps, A	43 / 1.6

³ Reported data for vibration level has a typical statistical dispersion (standard deviation) of 1.5 m/s².

Declaration of Conformity

EU Declaration of conformity

We, **Husqvarna AB**, SE-561 82 Huskvarna, SWEDEN,
tel: +46-36-146500, declare on our sole responsibility
that the product:

Description	Handheld battery-operated blower
Brand	Husqvarna
Type / Model	122iB
Identification	Serial numbers dating from 2025 and onwards

is in conformity with the following EU directives and
regulations as amended:

Regulation	Description
2006/42/EC	"relating to machinery"
2014/30/EU	"relating to electromagnetic compatibility"
2011/65/EU	"on the restriction of the use of certain hazardous substances in electrical and electronic equipment"
2000/14/EC	"relating to the noise emissions in the environment"

and that the following standards and/or technical
specifications are applied: EN 62841-1:2015/A11:2022,
EN IEC 62841-4-6:2024/A11:2024, EN IEC 63000:2018
EN IEC 55014-1:2021, EN IEC 55014-2:2021

In accordance with directive 2000/14/EC, Annex V, refer
to *Technical data on page 16* for the declared sound
values.

Huskvarna, 2025-11-03

Claes Losdal, R&D Manager, Husqvarna AB
Responsible for technical documentation



Съдържание

Въведение.....	19	Отстраняване на проблеми.....	30
Безопасност.....	20	Транспортиране, съхранение и изхвърляне.....	31
Монтаж.....	27	Технически данни.....	32
Операция.....	27	Декларация за съответствие.....	34
Техническо обслужване.....	29		

Въведение

Общ преглед на продукта

(Фиг. 1)

1. Дюза за компресорно оборудване
2. Бутон за освобождаване на дюзата на компресорното оборудване
3. Клавишно поле
4. Захранващ спусък
5. Ръкохватка
6. Бутон за вкл./изкл. на мощността
7. Индикатор за мощност
8. Индикатор за предупреждение, светодиода за грешка
9. Бутон за управление на оборотите
10. Опори
11. Бутон за индикатора на акумулаторната батерия
12. Състояние на акумулаторната батерия
13. Предупредителен индикатор на акумулаторната батерия
14. Бутон за освобождаване на акумулаторната батерия
15. Акумулаторна батерия
16. Индикатор за включено състояние и предупредителен индикатор
17. Конектор
18. Зарядно устройство за акумулаторни батерии 40-C80
19. Ръководство за оператора

(Фиг. 4)

Използвайте одобрени защитни средства за очите.

(Фиг. 5)

ПРЕДУПРЕЖДЕНИЕ – дръжте страничните лица далеч.

(Фиг. 6)

Не излагайте на дъжд.

(Фиг. 7)

Етикет за шумовите емисии към околната среда съгласно директивите и регламентите на ЕС и законодателството на Нов Южен Уелс "Регламент 2017 относно защитата от дейности, оказващи влияние на околната среда (контрол на шума)". Гарантираното ниво на звуковата мощност на продукта е посочено в *Технически данни на страница 32* и върху етикета.

(Фиг. 8)

Продуктът или опаковката на продукта не е битов отпадък. Рециклирайте го в станция за рециклиране на електрическо и електронно оборудване.

(Фиг. 9)

Продуктът отговаря на изискванията на приложимите директиви на ЕО.

(Фиг. 10)

Номинално напрежение, V

(Фиг. 11)

Прав ток.

Описание на продукта

Husqvarna 122iB е модел компресорно оборудване с електрически мотор.

Предназначение

Този продукт е надеждна и лесна за използване ръчна моторна метла за всякакви задачи, свързани с издухване и общо почистване из дома и градината.

уууу wwwwxxxx

На табелката с данни е изписан серийният номер. **уууу** е годината на производство, **ww** е седмицата на производство, а **xxxxx** е поредният номер.

Символи върху продукта

(Фиг. 2)

ПРЕДУПРЕЖДЕНИЕ: този продукт може да бъде опасен и да причини сериозно нараняване или смърт на оператора или други хора. Внимавайте и използвайте продукта правилно.

(Фиг. 3)

Прочетете внимателно ръководството за оператора и се уверете, че разбирате инструкциите, преди да използвате продукта.

Забележка: Останалите символи/стикери със символи върху машината се отнасят за специфични изисквания по отношение на сертификати за определени пазари.

Символи върху акумулаторната батерия и/или зарядното устройство за акумулаторни батерии

(Фиг. 12)

Устойчив на неизправности захранващ блок.

(Фиг. 13) Използвайте и дръжте зарядното устройство на акумулаторни батерии само на закрито.

(Фиг. 14) Двойна изолация.

(Фиг. 15)

Рециклирайте този продукт в пункт за рециклиране за електрическо и електронно оборудване. (валидно само за Европа)

- продуктът е неправилно ремонтиран.
- продуктът е ремонтиран с части, които не са от производителя или не са одобрени от производителя.
- продуктът има принадлежност, която не е от производителя или не е одобрена от производителя.
- продуктът не е ремонтиран в одобрен сервизен център или от одобрен орган.

Производител

Husqvarna AB

Drottninggatan 2, SE-561 82 Huskvarna

Повреда на продукта

Ние не носим отговорност за повреди по нашия продукт, ако:

Безопасност

Дефиниции за безопасност

Предупреждения, знаци за внимание и бележки се използват за указване на особено важни части на инструкцията.



ПРЕДУПРЕЖДЕНИЕ: Използва се, ако има опасност от нараняване или смърт за оператора или за околните, ако не се спазват инструкциите в ръководството.



ВНИМАНИЕ: Използва се, ако има опасност от повреждане на машината, други материали или съседната зона, ако не се спазват инструкциите в ръководството.

Забележка: Използва се за предоставяне на повече информация, която е необходима в дадена ситуация.

Общи предупреждения за безопасност на машината



ПРЕДУПРЕЖДЕНИЕ: Прочетете всички предупреждения за безопасност, инструкции, илюстрации и технически характеристики, предоставени с тази машина. *Неспазването на всички инструкции, изброени по-долу, може да доведе до токов удар, пожар и/или тежко нараняване.*

Запазете всички предупреждения и инструкции за бъдеща справка.

Забележка: Терминът „машина“ в предупрежденията се отнася за Вашата машина, *захранвана от електрозахранващата мрежа (с кабел), или такова, захранвана от акумулаторна батерия (безжична).*

Безопасност на работната площ

- **Поддържайте работната област чиста и добре осветена.** Безпорядък или тъмни площи могат да доведат до злополуки.
- **Не работете с машината в експлозивни среди, като например в присъствието на запалими течности, газове или прах.** Машините произвеждат искри, които може да предизвикат запалване на прах или димни газове.
- **Когато използвате машина, дръжте децата и страничните наблюдатели на разстояние.** Отклоняване на вниманието може да доведе до загуба на контрол.

Електрическа безопасност

- **Щепселите на машината трябва да съответстват на контакта. Никога не променяйте щепсела по какъвто и да било начин. Не използвайте никакви адаптерни щепсели със заземени машини.** Немодифицираните щепсели и съответстващите им изходи ще намалят риска от електрически удар.
- **Избягвайте контакт на тялото със заземени повърхности, като например тръби, радиатори и хладилници.** Има повишен риск от електрически удар, ако Вашето тяло е заземено или замасено.

- **Не излагайте машините на дъжд или влага.** Навлизането на вода в машината ще повиши риска от електрически удар.
- **Не насилвайте шнура.** Никога не използвайте шнура за носене, дърпане или изключване на машината от контакта. Дръжте шнура далеч от топлинни източници, масло, остри ръбове или движещи се части. Повредените или оплетени шнурове повишават риска от електрически удар.
- **Когато работите с машината навън, използвайте удължителен шнур, който е подходящ за употреба на открито.** Използването на шнур, който е подходящ за употреба на открито, намалява риска от електрически удар.
- **Ако работата с машината на влажно място е неизбежна, използвайте захранване с дефектнотокова защита (RCD).** Използването на RCD намалява риска от електрически удар.

Лична безопасност

- **Бъдете нащрек, внимавайте какво правите и бъдете разсъдливи, когато работите с машина.** Не използвайте машина, когато сте изморени или когато сте под влиянието на наркотици, алкохол или лекарства. Един миг невнимание по време на работа с машините може да доведе до сериозна телесна повреда.
- **Използвайте лични предпазни средства.** Винаги носете защита на очите. Предпазните средства, като респираторна маска, непързалящи се предпазни обувки, твърда каска или защита на слуха, използвани за съответните условия, ще намалят телесните повреди.
- **Не допускате нежелано стартиране.** Уверете се, че превключвателят е в изключено положение, преди да свържете машината към източник на захранване и/или акумулаторна батерия, преди да я повдигате или пренасяте. Носенето на машини с поставен пръст на превключвателя или включването в мрежата на машини с превключвател във включено положение може да доведе до злополуки.
- **Отстранете всички ключове за настройка или гаечни ключове, преди да включите машината.** Гаечен ключ или ключ, който е оставен закрепен към въртяща се част на машината, може да доведе до телесна повреда.
- **Не се протягвайте прекалено далеч.** Поддържайте стабилна стойка и баланс през цялото време. Това прави възможен по-добрия контрол над машината в непредвидени ситуации.
- **Обличайте се подходящо.** Никога не носете широки дрехи или бижута. Дръжте косата и дрехите си далеч от движещите се части. Широки дрехи, бижута или дълга коса могат да бъдат захванати от движещите се части.
- **Ако са предоставени устройства за свързване на съдове за изсмукване на прах и съдове за събиране, се уверете, че те са свързани и се използват правилно.** Използването на съдове за

събиране на прах може да намали опасностите, свързани с праха.

- **Не позволявайте опитът, придобит от честата употреба на машини, да Ви позволи да станете небрежни и да игнорирате принципите за безопасност при работа с машини.** Небрежното действие може за части от секундата да причини сериозно нараняване.

Употреба и поддръжка на машината

- **Не упражнявайте силови въздействия върху машината.** Използвайте правилната машина за Вашето приложение. С подходящата машина ще работите най-добре и безопасно, когато го използвате за целта, за която е предназначен от производителя.
- **Не използвайте машината, ако превключвателят не я включва и изключва.** Всяка машина, която не може да се управлява с превключвателя, е опасна и трябва да се ремонтира.
- **Разкачете щепсела от електрическия източник и/или премахнете акумулаторната батерия от машината, ако може да се отстрани, преди да правите каквито и да било настройки, да сменят принадлежностите или да съхранявате машини.** Тези превантивни мерки за безопасност предотвратяват риска машината да бъде включена по невнимание.
- **Съхранявайте неизползваните машини извън досега на деца и не разрешавайте на лица, които не са запознати с машините или с тези инструкции, да работят с тях.** Машините са опасни в ръцете на необучени потребители.
- **Поддържайте машините и принадлежностите.** Проверявайте за неправилно поставяне или застъпване на движещи се части, счупени части или друго състояние, което може да се отрази на работата на машината. Ако машината се повреди, я дайте за ремонт, преди да я използвате. Множество инциденти се причиняват от недостатъчно добре поддържани машини.
- **Поддържайте режещите машини остри и чисти.** Правилно поддържаните режещи машини с остри режещи ръбове са по-трудни за огъване и се управляват по-лесно.
- **Използвайте машината, принадлежностите, приставките и т.н. съгласно тези инструкции, като имате предвид условията и естеството на работата, която извършвате.** Използването на машината за операции, различни от тези, за които е предначинена, може да доведе до опасна ситуация.
- **Поддържайте ръкохватките и повърхностите за хващане сухи, чисти и без масло и грес.** Хлъзгавите ръкохватки и повърхности за хващане не позволяват безопасно обслужване и управление на машината в неочаквани ситуации.

Употреба и грижа за машината с акумулаторна батерия

- **Презареждайте само със зарядно устройство, определено от производителя.** Зарядно устройство, което е подходящо за един вид акумулаторна батерия, може да създаде опасност от злополука, когато се използва с друга акумулаторна батерия.
- **Използвайте машините само с предназначенияте за тях акумулаторни батерии.** Използването на други акумулаторни батерии може да създаде риск от нараняване и пожар.
- **Когато акумулаторната батерия не е в употреба, я дръжте далеч от други метални предмети, като кламери, монети, ключове, пирони, винтове или други малки предмети, които могат да образуват връзка между едната клемма и другата.** Окъсяване на изводите на акумулаторната батерия може да предизвика изгаряния или пожар.
- **При злоупотреба от акумулаторната батерия може да бъде изхвърлена течност – избягвайте допир.** При възникване на случаен контакт изплатнете с вода. Ако течността попадне в очите, потърсете допълнителна медицинска помощ. Течност, изхвърлена от акумулаторната батерия, може да причини раздразнения или изгаряния.
- **Не използвайте акумулаторна батерия или машина, която е повредена или модифицирана.** Повредените или модифицирани акумулаторни батерии могат да имат непредсказуемо поведение, което да доведе до пожар, експлозия или опасност от нараняване.
- **Не излагайте акумулаторна батерия или машина на огън или прекомерна температура.** Излагането на огън или температура над 130°C/265°F може да предизвика експлозия.
- **Следвайте всички инструкции за зареждане и никога не зареждайте акумулаторната батерия или машината извън температурния диапазон, посочен в инструкциите.** Неправилното зареждане или зареждането при температури извън посочения диапазон може да повреди акумулаторната батерия и да увеличи риска от пожар.

Обслужване

- **Машината трябва да се обслужва само от квалифицирано лице по ремонтите и само с идентични резервни части.** Така се гарантира, че ще се запази безопасността на машината.
- **Никога не обслужвайте повредени акумулаторни батерии.** Обслужването на акумулаторни батерии трябва да се извършва само от производителя или оторизирани сервизни доставчици.

Предупреждения за безопасност при работа с градинската моторна метла

- **Не използвайте градинската моторна метла при лоши метеорологични условия, особено когато има риск от мълнии.** Това намалява риска да бъдете ударени от мълния.
- **Носете защитни средства за очите.** Подходящите предпазни средства ще намалят риска от телесна повреда.
- **По време на работа с градинската моторна метла винаги носете неелъзгащи се и защитни обувки.** Не работете с градинската моторна метла, когато сте боси или носите отворени сандали. Това намалява риска от нараняване на стъпалата.
- **Не носете свободни дрехи или аксесоари, като шалове, гърдани, верижки, връзки и т.н., които могат да попаднат в отворите за въздух.** Вържете назад или покрийте дългата коса, за да се уверите, че няма да попадне в отворите за въздух. Ако някой от тези предмети попадне в отворите за въздух, това може да увеличи риска от телесна повреда.
- **Дръжте страничните лица далеч, докато работите с градинската моторна метла.** Изхвърлените остатъци могат да увеличат риска от телесна повреда.
- **Никога не насочвайте дюзата на моторната метла по посока на хора или домашни любимци или по посока на прозорци.** Бъдете особено внимателни, когато издухвате остатъци в близост до твърди предмети, като дървета, автомобили и стени, които могат да причинят рикошет на остатъците. Изхвърлените предмети могат да повредят имущество и да увеличат риска от телесна повреда.
- **Не използвайте градинската моторна метла за издухване на нещо, което гори или дими, като например цигари, кибритени клечки или гореща пепел.** Тези източници на запалване може да увеличат риска от пожар.
- **Не докосвайте вентилатора, докато все още се върти.** Изключете градинската моторна метла и изчакайте, докато вентилаторът спре да се върти, преди да отстранявате каквато и да било част, която може да открие вентилатора. Това намалява риска от нараняване от движещи се части.
- **Когато почиствате заседнал материал или извършвате обслужване на градинската моторна метла, се уверете, че прекъсвачът е изключен.** Неочакваното стартиране на градинската моторна метла по време на почистване на заседнал материал или извършване на обслужване може да доведе до сериозна телесна повреда.

Общи инструкции за безопасност



ПРЕДУПРЕЖДЕНИЕ: Прочетете следващите предупредителни инструкции, преди да използвате продукта.

- Този продукт е опасен, ако се използва неправилно или ако не сте внимателни. Неспазването на инструкциите за безопасност може да доведе до нараняване или смърт.
- Този продукт създава електромагнитно поле по време на работа. При някои условия това поле може да предизвика смущения в активни или пасивни медицински импланти. За да намалите риска от тежко или смъртоносно нараняване, ние препоръчваме лицата с медицински импланти да говорят с лекаря си и производителя на медицинския имплант, преди да започнат да работят с този продукт.
- Винаги бъдете внимателни и подхождайте разумно. Ако не сте сигурни как да работите с продукта при специална ситуация, спрете и се обърнете към Вашия дилър на Husqvarna, преди да продължите.
- Имайте предвид, че операторът носи отговорност за злополуки, включващи други лица или тяхното имущество.
- Поддържайте продукта чист. Уверете се, че разчитате ясно знаците и стикерите.
- Никога не позволявайте на деца или на хора, непознати с тези инструкции, да използват уреда. Местните регламенти може да поставят възрастови ограничения за оператора.
- Винаги наблюдавайте лице с намален физически или умствен капацитет, което използва продукта. През цялото време трябва да присъства отговорен възрастен.
- Не използвайте продукта, ако сте уморени, болни или под въздействието на алкохол, наркотици или лекарства. Това състояние оказва отрицателно въздействие върху Вашето зрение, бдителност, координация и преценка.
- Не използвайте продукта, ако е повреден или не работи правилно.
- Не променяйте този продукт и не го използвайте, ако има вероятност той да е бил променен от други лица.

Безопасност при работа



ПРЕДУПРЕЖДЕНИЕ: Прочетете следващите предупредителни инструкции, преди да използвате продукта.

- Използвайте лични предпазни средства. Направете справка с *Лични предпазни средства на страница 24*.

- Уверете се, че знаете как бързо да спрете двигателя при аварийна ситуация.
- Не работете с продукта при дъжд или влага. Рискът от токов удар се повишава при навлизане на вода в продукта.
- Винаги стойте зад продукта, когато работите с него.
- Никога не повдигайте продукта, когато двигателят е стартиран. Ако се наложи да повдигате продукта, спрете двигателя и отстранете акумулаторната батерия.
- Не ходете назад, когато работите с продукта.
- Спрете двигателя, когато е необходимо да наклоните продукта за транспортиране или когато преминавате през площи без трева, например пътеки от чакъл, камък и асфалт.
- Не тичайте с продукта, когато двигателят е стартиран. Винаги ходете, когато работите с продукта.
- Вибрациите в продукта по време на работа могат да се различават от декларираната стойност на вибрациите в *Технически данни на страница 32*. Причината за разликата са различните начини на използване на продукта. Ако работите с продукта често или за дълги периоди от време, правете редовно почивки, за да предотвратите нараняване от вибрации.

Инструкции за безопасност за работа



ПРЕДУПРЕЖДЕНИЕ: Прочетете следващите предупредителни инструкции, преди да използвате продукта.

- Ако се окажете в ситуация, в която сте неуверени как да постъпите, се посъветвайте със специалист. Свържете се с Вашия дилър или с Вашия сервис. Избягвайте всякаква употреба, за която се чувствате недостатъчно квалифицирани.
- Уверете се, че можете да се движите и да стоите безопасно. Проверете площта около Вас за потенциални препятствия (корени, камъни, клони, канавки и така нататък), в случай че се наложи да се преместите внезапно. Бъдете много предпазливи при работа по наклонен терен.
- По всяко време трябва да пазите добро равновесие и да сте в стабилен стоеж. Не се протягайте прекалено далеч.
- Бъдете винаги нащрек за предупредителни сигнали или подвиквания, когато носите защита на слуха. Винаги отстранявайте защитата на слуха незабавно след спиране на продукта.
- Не работете с продукта в близост до отворени прозорци.
- Съобразявайте се с лицата в околността, като избягвате работа с продукта в неподходящи часове, като например късно вечер или рано

сутрин. Следвайте местните регламенти и разпоредби.

- Използвайте продукта с възможно най-слаб въздушен поток. Рядко се налага да използвате най-силния въздушен поток и много процедури на работа могат да бъдат извършени с въздушен поток с половин сила. Използването на по-слаб въздушен поток означава по-малко шум и прах и освен това прави по-лесно управляването на събраните/преместените отпадъци.
- При запрашени условия навлажнете леко повърхността, когато използвате продукта.
- Използвайте гребло или четка, за да отлепите отпадъци, залепнали за земята.
- Дръжте отвора на моторната метла възможно най-близо до земята.
- Наблюдавайте околната обстановка. Насочете продукта настрана от лица, животни, площадки за игра, автомобили и т.н.
- Сведете до минимум времето на издухване, като леко намокряте прашните области или използвате пръскащо оборудване.
- Следете посоката на вятъра. Работете, като се съобразявате с вятъра, за да е по-лесна работата ви.
- Спрете продукта и отстранете акумулаторната батерия, ако продуктът започне да вибрира по различен от нормалния начин.
- Използването на компресорното оборудване за преместване на големи купчини отнема много време и създава излишен шум.
- Почиствайте след употреба. Проверявайте дали не сте издухали отпадъци в чужда градина.
- Не бягайте с продукта.
- Мощните потоци от въздух могат да преместват предмети с такава скорост, че те да отскочат обратно и да причинят сериозни наранявания на очите.

(Фиг. 16)

- Не насочвайте въздушния поток към лица или животни.
- Спирайте двигателя преди монтиране или демонтиране на принадлежности или други части.
- Пазете всички части на тялото си далеч от горещи повърхности.
- Никога не поставяйте продукта на земята, докато работи, освен ако не е под прекия Ви надзор.
- Компресорното оборудване не бива да се използва, докато сте на стълба или скеле.

(Фиг. 17)

- Не работете с продукта, освен ако имате възможност да повикате помощ в случай на злополука.
- Внимавайте за хвърчащи предмети. В очите Ви могат да попаднат камъни, отпадъци и т.н., които могат да доведат до слепота или сериозно нараняване.

- Използвайте дефектнотокова защита (RCI) за по-голяма сигурност, когато зареждате продукта. Поставена е дефектнотокова защита за предпазване на операторите в случай на възникване на електрическа неизправност.
- Този продукт е добре известен с ниското си ниво на вибрации. Прекомерното излагане на вибрации може да доведе до пораженията върху кръвоносни съдове и нервната система на хора със смущения в кръвообращението. Потърсете лекарска помощ, ако се появят симптоми, които могат да са резултат от вибрации. Такива симптоми са например изтръпване, загуба на чувствителност, "иглички", "боджежи", болки, физическа отпуснатост, промени в цвета или състоянието на кожата. Тези симптоми се появяват обикновено на пръстите, ръцете и китките.
- Използвайте продукта единствено по предназначение.
- Невинаги е възможно да се предвиди всяка възможна ситуация, с която можете да се сблъскате. Винаги работете с повишено внимание и се опсланяйте на здравия си разум. Избягвайте всички ситуации, в които имате съмнения, че няма да можете да се справите. Ако все още се чувствате несигурни за работните процедури след прочитането на тези инструкции, трябва да се консултирате с експерт, преди да продължите работа.
- Винаги дръжте продукта с дясната/лявата ръка. Дръжте продукта отстрана на тялото си.

(Фиг. 18)

Лични предпазни средства



ПРЕДУПРЕЖДЕНИЕ: Прочетете следващите предупредителни инструкции, преди да използвате продукта.

- При работа с продукта винаги използвайте одобрени лични предпазни средства. Личните предпазни средства не изключват изцяло риска от нараняване, но намаляват степента на нараняването при възникване на злополука. Нека Вашият дилър Ви помогне да изберете подходящото оборудване.
- Използвайте одобрена защита на слуха.

(Фиг. 19)

- Използвайте одобрени защитни средства за очите. Ако използвате маска, трябва да използвате и одобрени предпазни очила. Одобрените предпазни очила трябва да отговарят на стандарт ANSI Z87.1 за САЩ или EN 166 за държавите от ЕС.

(Фиг. 20)

- Използвайте ръкавици, когато е необходимо. (Фиг. 21)
- Носете защитни ботуши със стоманени бомбета и противоплъзгащи подметки. (Фиг. 22)
- Използвайте дрехи, направени от здрава тъкан. Винаги използвайте здрави, дълги панталони и дълги ръкави. Не използвайте широки дрехи, които могат да се захванат за храсти и клони. Не носете бижута, къси панталони или сандали. Не ходете боси. Носете косата си безопасно над нивото на рамената.
- Дръжте в близост комплект за първа помощ. (Фиг. 23)

Устройства за безопасност на продукта



ПРЕДУПРЕЖДЕНИЕ: Прочетете следващите предупредителни инструкции, преди да използвате продукта.

- В този раздел се описва предпазното оборудване на продукта, неговото предназначение и как трябва да се извършват проверки и техническо обслужване, за да се гарантира правилната работа. Вижте инструкциите под заглавието *Общ преглед на продукта на страница 19*, за да откриете къде се намират тези части на продукта Ви.
- Срокът на експлоатация на продукта може да се намали, а рискът от злополуки да се повиши, ако не се извършва правилно техническо обслужване на продукта и сервизното обслужване и/или ремонтите не се извършват професионално. Ако Ви е необходима допълнителна информация, моля, свържете се със сервизния дилър, разположен най-близо до Вас.
- Никога не използвайте продукт с повредени безопасностни компоненти. Предпазното оборудване на продукта трябва да бъде прегледано и технически обслужвано, както е описано в този раздел. Ако продуктът Ви не премине успешно някоя от тези проверки, се свържете със сервиза си за извършване на ремонт.
- Всяко извършване на сервизно обслужване и ремонт на продукта изисква специално обучение. Това важи в особена степен за предпазното оборудване на продукта. Свържете се с Вашия сервиз, ако продуктът не премине успешно която и да било от описаните по-долу проверки. При покупката на наш продукт ние гарантираме предоставянето на професионални ремонтни услуги и сервиз. Ако търговецът, от когото сте закупили продукта, не е сервизен дилър, попитайте за адреса на най-близкия сервиз.

За извършване на проверка на клавишното поле

1. Натиснете и задръжте бутона за ВКП./ИЗКЛ. (А), докато индикаторът за мощност (В) светне. (Фиг. 24)
2. Направете справка с *Отстраняване на проблеми на страница 30*, ако индикаторът за предупреждение (С) светне или премигне.

За извършване на проверка на захранващия спусък

- Натиснете и освободете захранващия спусък, за да се уверите, че се движи свободно. (Фиг. 25)

Безопасност на акумулаторната батерия



ПРЕДУПРЕЖДЕНИЕ: Прочетете следващите предупредителни инструкции, преди да използвате продукта.

- Препоръчителната акумулаторна батерия е 40-V series. Акумулаторните батерии са шифровани софтуерно.
- Използвайте акумулаторната батерия 40-V series, която може да се презарежда, като източник на захранване единствено за свързаните продукти Husqvarna. За да предотвратите нараняване, не използвайте акумулаторната батерия като източник на захранване за други устройства.
- Опасност от електрически удар. Не свързвайте клемите на акумулаторната батерия с ключове, винтове или други метални предмети. Това може да причини късо съединение на акумулаторната батерия.
- Не използвайте акумулаторни батерии, които са презареждаеми.
- Не поставяйте предмети във въздушните отвори на акумулаторната батерия.
- Съхранявайте акумулаторната батерия далеч от слънчева светлина, топлина или открит огън. Акумулаторната батерия може да причини изгаряния и/или химически изгаряния.
- Съхранявайте акумулаторната батерия далеч от дъжд или влага.
- Съхранявайте акумулаторната батерия далеч от микровълни и високо налягане.
- Не се опитвайте да разглобите или счупите акумулаторната батерия.
- Не позволявайте на електролит да докосне кожата Ви. Електролитът причинява наранявания по кожата, корозия и изгаряния. Ако в очите Ви попадне електролит, не ги търкайте, а ги промийте обилно с вода в продължение на най-малко 15 минути. Ако електролитът се докосне до кожата Ви, трябва да почистите кожата с голямо количество вода и сапун. Потърсете медицинска помощ.

- Използвайте акумулаторната батерия при температури между -10°C (14°F) и 40°C (104°F).
- Не почиствайте акумулаторната батерия или зарядното устройство за акумулаторни батерии с вода. Вижте *За почистване на продукта, батерията и зарядното устройство на страница 30*.
- Не използвайте повредена акумулаторна батерия.
- Съхранявайте акумулаторната батерия далеч от метални предмети, като гвоздеи, винтове или бижута.
- Дръжте акумулаторната батерия далеч от деца.

Инструкции за безопасност за зарядното устройство на акумулаторната батерия



ПРЕДУПРЕЖДЕНИЕ: Прочетете следващите предупредителни инструкции, преди да използвате продукта.

- Ако не се спазват инструкциите за безопасност, има риск от токов удар или късо съединение.
- Не използвайте зарядни устройства, различни от доставеното с машината. Използвайте само зарядни устройства 40-C80, когато зареждате резервни акумулаторни батерии от серия 40-B.
- Не опитвайте да разглобите зарядното устройство за акумулаторни батерии.
- Не използвайте зарядно устройство за акумулаторни батерии, което е повредено или не работи правилно.
- Не повдигайте зарядното устройство за акумулаторни батерии, като го държите за храняващия шнур. За да изключите зарядното устройство за акумулаторни батерии от стенен контакт, извадете щепсела. Не дърпайте храняващия шнур.
- Дръжте всички кабели и удължителни кабели далеч от вода, масло и остри ръбове. Уверете се, че кабелът не е захванат между предмети, като например врати, огради или подобни.
- Не използвайте зарядното устройство за акумулаторни батерии близо до запалими материали или материали, които могат да причинят корозия. Уверете се, че зарядното устройство за акумулаторни батерии не е покрито. Ако има дим или огън, извадете щепсела на зарядното устройство за акумулаторни батерии.
- Зареждайте акумулаторната батерия само на закрито, на място с добро проветряване и далеч от слънчева светлина. Не зареждайте акумулаторната батерия на открито. Не зареждайте акумулаторната батерия във влажна среда.

- Използвайте зарядното устройство за акумулаторни батерии само при температури между 5°C (41°F) и 40°C (104°F). Използвайте зарядното устройство в среда, която е с добър въздушен поток, суха и без прах.
- Не поставяйте предмети в охлаждащите отвори на зарядното устройство за акумулаторни батерии.
- Не свързвайте клемите на зарядното устройство за акумулаторни батерии към метални предмети, тъй като това може да предизвика късо съединение на зарядното устройство за акумулаторни батерии.
- Използвайте одобрени стенни контакти, които не са повредени. Уверете се, че храняващият шнур на зарядното устройство за акумулаторни батерии не е повреден. Ако използвате удължителни кабели, се уверете, че те не са повредени.
- Не зареждайте презареждаеми акумулаторни батерии в зарядните устройства за акумулаторни батерии.

Инструкции за безопасност при техническо обслужване



ПРЕДУПРЕЖДЕНИЕ: Прочетете следващите предупредителни указания, преди да извършвате техническо обслужване на продукта.

- Извадете батерията, преди да извършите техническо обслужване, други проверки или сглобяване на продукта.
- Операторът трябва да извършва само техническо обслужване и ремонтни дейности, показани в тази инструкция за експлоатация. Обърнете се към Вашия сервизен дилър при нужда от по-сериозно техническо обслужване и ремонтни дейности.
- Не почиствайте батерията или зарядното устройство с вода. Силните почистващи препарати могат да повредят пластмасата.
- Ако не извършвате техническо обслужване, това намалява експлоатационния живот на продукта и увеличава риска от злополука.
- Необходимо е специално обучение за всички ремонтни дейности и поправки особено що се отнася до приспособленията за безопасност на продукта. Ако не всички проверки в тази инструкция за експлоатация са одобрени, след като сте извършили техническото обслужване, обърнете се към Вашия сервизен дилър. Ние гарантираме, че за Вашия продукт има налични професионални поправки и ремонти.
- Използвайте само оригинални резервни части.

Монтаж

Въведение



ПРЕДУПРЕЖДЕНИЕ: Прочетете и разберете главата за безопасност, преди да монтирате продукта.

За монтиране на дюзата

1. Поставете дюзата върху предния край на продукта. (Фиг. 26)
2. Натиснете дюзата, докато чуete щракване.

За монтиране на зарядното устройство за акумулаторни батерии 40-C80 на стената



ВНИМАНИЕ: Не използвайте електрическа отвертка, за да монтирате зарядното устройство за акумулаторни батерии към стената. Електрическа отвертка може да причини повреда на зарядното устройство за акумулаторни батерии.

1. Закрепете зарядното устройство за акумулаторни батерии на стената с 2-та винта (A). Ако се налага, използвайте дюбелите (B). (Фиг. 27)
2. Закрепете 2-те капачки за отвори за винтове (C).
3. Свържете захранващия шнур (D) към зарядното устройство за акумулаторни батерии и стенен контакт.

Операция

Въведение



ПРЕДУПРЕЖДЕНИЕ: Прочетете и разберете раздела с инструкции за безопасност преди използване на продукта.

Извършване на проверка на функциите, преди да използвате продукта

1. Извършете проверка на входа за въздух за замърсявания и пукнатини. Използвайте четка и почиствайте продукта от трева и листа. Направете справка с *За извършване на проверка на смукателния въздухопровод на страница 29*.
2. Уверете се, че продуктът работи нормално.
3. Извършете проверка на всички гайки и винтове, за да се уверите, че са затегнати.

Акумулаторна батерия



ПРЕДУПРЕЖДЕНИЕ: Преди да използвате акумулаторната батерия,

трябва да прочетете и разберете главата за безопасност. Трябва също така да прочетете и разберете ръководството за оператора за акумулаторната батерия и зарядното устройство.

Поддържайте подходяща околна температура за акумулаторната батерия и зарядното устройство.

	Околна температура
Работа на продукта	-5 °C – 40 °C / 23 °F - 104 °F
Зареждане на акумулаторната батерия	5 °C – 40 °C / 41 °F - 104 °F

Светодиоден индикатор на акумулаторната батерия

Дисплеят показва състоянието на зареждане и дали има проблеми с акумулаторната батерия. (Фиг. 28)

Светодиоден индикатор	Състояние на акумулаторната батерия (състояние на зареждане)
	40-B140
4 светодиодни светлини светят	Акумулаторната батерия е заредена на 76% – 100%.
3 светодиодни светлини светят	Акумулаторната батерия е заредена на 51% – 75%.
2 светодиодни светлини светят	Акумулаторната батерия е заредена на 26% – 50%.
1 светодиодна светлина свети	Акумулаторната батерия е заредена на 6% – 25%.
1 светодиодна светлина мига	Акумулаторната батерия е заредена на 0% – 5%.

За зареждане на акумулаторната батерия

Заредете батерията, ако това е първият път, в който я използвате. Новата акумулаторна батерия е заредена само на 30%.



ВНИМАНИЕ: Свържете зарядното устройство за акумулаторни батерии към захранващ контакт с напрежението и честотата, указани на табелката с данни.

Акумулаторната батерия не се зарежда, ако нейната температура е по-висока от 50°C (122°F).

1. Свържете захранващия шнур към зарядното устройство за акумулаторни батерии.
2. Свържете зарядното устройство за акумулаторни батерии към заземен захранващ контакт. Светодиодът за зареждане мига еднократно. (Фиг. 29)
3. Свържете акумулаторната батерия към зарядното устройство. Светодиодът за зареждане светва. Зареждайте акумулаторната батерия за най-много 24 часа. (Фиг. 30)
4. Натиснете бутона на индикатора върху акумулаторната батерия; ако всички светодиодни индикатори светнат, акумулаторната батерия е напълно заредена.
5. Издърпайте захранващия щепсел, за да изключите зарядното устройство за акумулаторни батерии от захранващия контакт. Не дърпайте захранващия шнур.
6. Отстранете акумулаторната батерия от зарядното устройство.

За свързване на акумулаторната батерия към продукта



ПРЕДУПРЕЖДЕНИЕ: Използвайте само препоръчаната

акумулаторна батерия Husqvarna за продукта.

1. Уверете се, че акумулаторната батерия е напълно заредена.
2. Натиснете акумулаторната батерия в държача за акумулаторни батерии, докато чуете щракване. Акумулаторната батерия трябва да се движи лесно. Ако не е така, това означава, че не е монтирана правилно. (Фиг. 31)

За стартиране на продукта

1. Натиснете и задръжте бутона за стартиране, докато зеленият светодиод не светне. (Фиг. 32)
2. Използвайте захранващия спусък, за да работите с продукта.

За задаване на оптималния въздушен поток за Вашата работа

- Натиснете бутона за управление на оборотите, за да зададете въздушния поток. Има 3 стъпки на въздушния поток. (Фиг. 33)

За спиране на продукта

1. Освободете захранващия спусък.
2. Натиснете и задръжте бутона за захранване, докато зеленият светодиод не изгасне.
3. Натиснете бутона за освобождаване и извадете акумулаторната батерия. (Фиг. 34)

Функция за автоматично изключване

Продуктът разполага с автоматична функция за изключване, която го спира, ако той не се използва. Зеленият индикаторен светодиод за мощност изгасва и продуктът спира след 3 минути.

Техническо обслужване

Въведение



ПРЕДУПРЕЖДЕНИЕ: Преди да извършите техническо обслужване, трябва да прочетете и разберете главата за безопасност.

Следва списък със стъпките от техническото обслужване, които трябва да изпълните за Вашия продукт.

Разписание за техническо обслужване



ПРЕДУПРЕЖДЕНИЕ: Отстранете акумулаторната батерия, преди да извършите техническото обслужване.

Техническо обслужване	Ежедневно	Всяка седмица	Всеки месец
Почиствайте продукта с чиста и суха кърпа. Не използвайте вода.	X		
Уверете се, че ръкохватките са сухи и чисти.	X		
Извършете проверка на клавишното поле.	X		
Извършете проверка на захранващия спусък.	X		
Уверете се, че гайките и винтовете са затегнати.	X		
Уверете се, че акумулаторната батерия не е повредена.	X		
Извършете проверка на заряда на акумулаторната батерия.	X		
Уверете се, че бутоните за освобождаване на акумулаторната батерия не са повредени и че фиксират акумулаторната батерия в продукта.	X		
Уверете се, че зарядното устройство не е повредено.	X		
Уверете се, че всички съединения, връзки и кабели са чисти и не са повредени.		X	
Извършете проверка на връзките на акумулаторната батерия, зарядното устройство за акумулаторни батерии и продукта.			X

За извършване на проверка на смукателния въздухопровод

до неизправност на двигателя, защото той става твърде горещ.

1. Уверете се, че в смукателния въздухопровод няма запушване. (Фиг. 35)
2. Спрете продукта и отстранете нежелания материал при необходимост.



ВНИМАНИЕ: Блокираният смукателен въздухопровод намалява капацитета на издухване на продукта и повишава работната температура на двигателя. Това може да доведе

За проверка на батерията и зарядното устройство

1. Проверете батерията за повреди, като например пукнатини.
2. Проверете зарядното устройство за повреди, като например пукнатини.
3. Уверете се, че свързващият кабел на зарядното устройство не е повреден и напукан.

За почистване на продукта, батерията и зарядното устройство

1. Почиствайте продукта със сух парцал след употреба.
2. Почиствайте батерията и зарядното устройство със сух парцал. Дръжте водачите на батерията чисти.

3. Уверете се, че клемите на батерията и зарядното устройство са чисти, преди батерията да е поставена в зарядното устройство или в продукта.

Отстраняване на проблеми

Клавишно поле

Светодиоден екран	Възможни неизправности	Възможни решения
Червеният светодиод за грешка мига	Температурно отклонение.	Оставете продукта да се охлади.
	Има замърсявания в конекторите на акумулаторната батерия или вентилаторът е блокирал.	Почистете със съгъстен въздух или с мека четка.
	Акумулаторната батерия е изтощена.	Заредете акумулаторната батерия.
	Акумулаторната батерия е повредена.	Говорете с Вашия сервиз.

Акумулаторна батерия

Светодиоден екран	Възможни неизправности	Възможни решения
Зелената светодиодна лампа мига.	Ниско напрежение на акумулаторната батерия.	Заредете акумулаторната батерия.
Светодиодната лампа за грешка мига.	Температурно отклонение.	Използвайте акумулаторната батерия при температури в диапазона -5 °C – 40 °C / 23 °F - 104 °F.
	Твърде високо напрежение.	Уверете се, че мрежовото напрежение отговаря на напрежението, посочено на табелката с данни на продукта. Отстранете акумулаторната батерия от зарядното устройство.
Светодиодната лампа за грешка свети.	Разликата в клетките е твърде голяма (1 V).	Говорете с дистрибутора по сервизното обслужване.

Зарядно устройство за акумулатора

Светодиоден екран	Възможни неизправности	Възможни решения
Светодиодният индикатор за зареждане свети постоянно в червено.	Зарядното устройство за акумулаторни батерии е повредено.	Говорете с дистрибутора по сервизното обслужване.
Светодиодният индикатор за зареждане мига в зелено.	Температурата на акумулаторната батерия е извън диапазона на зареждане.	Оставете акумулаторната батерия да изстине или я загрейте. Когато акумулаторната батерия е с правилната температура, тя може да се използва или зарежда отново. Използвайте зарядното устройство за акумулаторни батерии при температури на околната среда в диапазона 5 °C – 40 °C / 41 °F - 104 °F.
Светодиодният индикатор за зареждане мига в червено.	Акумулаторната батерия е повредена.	Обърнете се към Вашия сервизен дилър.

Транспортиране, съхранение и изхвърляне

Транспорт и съхранение

- Доставените литиевойонни акумулаторни батерии отговарят на изискванията на законодателството за опасни продукти.
- Специалното изискване на опаковката и етикетите за търговско транспортиране трябва да се спазва, включително от трети страни и следитори.
- Обърнете се към човек, преминал специално обучение за работа с опасни материали, преди да изпратите продукта. Спазвайте всички приложими национални регламенти.
- Поставете тиксо върху откритите терминали, когато поставяте акумулаторната батерия в опаковка. Поставете акумулаторната батерия плътно в опаковката, за да предотвратите движение.
- Извадете акумулаторната батерия при съхранение или транспортиране.
- Поставете акумулаторната батерия и зарядното устройство в сухо пространство, в което няма влага и скреж.
- Не съхранявайте акумулаторната батерия на места, където може да се натрупа статично електричество. Не съхранявайте акумулаторната батерия в метална кутия.
- Оставете акумулаторната батерия на съхранение в среда с температура в диапазона 5 °C / 41°F and 25 °C / 77°F и далеч от пряка слънчева светлина.
- Оставете зарядното устройство за акумулаторни батерии на съхранение в среда с температура в диапазона 5 °C/41 °F and 45°C/113°F и далеч от пряка слънчева светлина.
- Използвайте зарядното устройство за акумулаторни батерии само когато околната температура е в диапазона 5 °C – 40 °C / 41 °F - 104 °F.
- Заредете акумулаторната батерия между 30% и 50%, преди да я оставите за съхранение за продължително време.
- Оставете продукта за съхранение на място с температури между -40°C/-40°F и +60°C/140°F
- Съхранявайте зарядното устройство в затворено и сухо пространство.
- При съхранение дръжте акумулаторната батерия и зарядното устройство отделно. Не позволявайте на деца или други неодобвени лица да имат контакт с оборудването. Дръжте оборудването в пространство, което можете да заключавате.
- Почистете продукта и извършете пълно обслужване, преди да го оставите на съхранение за дълъг период от време.
- Закрепете продукта безопасно при транспортиране.

Изхвърляне на батерията, зарядното устройство и продукта

Символите на продукта или на неговата опаковка означават, че той не е битов отпадък. Рециклирайте го в пункт за рециклиране за електрическо и електронно оборудване. Това помага да се

предотврати увреждане на околната среда или на хора.

Свържете се с местните служби, местна сметосъбираща организация или с Вашия дилър за повече информация относно рециклирането на продукта.

Технически данни

Технически характеристики

	122iB
Двигател	
Тип на двигателя	PMDC
Тегло	
Тегло без акумулаторна батерия, kg	1,9
Шумови емисии, звукови нива, ^{4 5}	
Ниво на звуковата мощност, измерено, измерена dB (A)	92,2
Ниво на звуковата мощност, гарантирано L_{WA} dB (A)	93
Еквивалентно ниво на звуковото налягане при ухото на оператора, измерено съгласно EN IEC 62841-4-6 и ISO 22868, dB (A):	82,8
Нива на вибрациите ⁶	
Нива на вибрациите при ръкохватките, измерени съгласно EN IEC 62841-4-6, m/s^2	1,13
Работа на вентилатора	
Пиков обменен дебит, m^3/h	865
Пикова теоретична скорост, m/s	53
Сила на духане, N	11

Данните за шум и вибрации се определят въз основа на изчислените максимални обороти.

Забележка: Обявената обща стойност на вибрациите и обявените стойности на шумовите емисии са измерени в съответствие със стандартен метод на изпитване и могат да се използват за сравняване на един инструмент с друг.

Забележка: Обявената обща стойност на вибрациите и обявените стойности на шумовите емисии може да се използват и при предварителна оценка на излагането.

Забележка: Вибрационните емисии и шумовите емисии по време на действителната употреба на продукта може да се различават от обявената обща стойност в зависимост от начините на използване на

⁴ Шумови емисии в околната среда, измерени като звукова мощност (L_{WA}) в съответствие с директива на ЕО 2000/14/ЕО, имат типична статистическа дисперсия (стандартно отклонение) от 1,0 dB (A).

⁵ Отчетените данни за еквивалентното ниво на звуковото налягане за машината имат типична статистическа дисперсия (стандартно отклонение) от 1,3 dB (A).

⁶ Отчетените данни за нивото на вибрациите имат типична статистическа дисперсия (стандартно отклонение) от 1,5 m/s^2 .

продукта. Необходимо е да се определят мерки за безопасност за защита на оператора въз основа на оценка на излагането при действителните условия на употреба. Включете всички части на работния цикъл в оценката, като например времето, когато

продуктът е изключен, както и когато работи на празен ход, в допълнение към времето при натиснат спусък.

Одобрени акумулаторни батерии за продукта

Акумулаторна батерия	40-B140
Тип	Литиевойонен
Капацитет на акумулаторната батерия, Ah	Направете справка с лепенката с номинални стойности на акумулаторната батерия
Номинално напрежение, V	36
Тегло, kg/lb	1,25/2,76

Одобрени зарядни устройства за акумулаторни батерии

Зарядно устройство за акумулатора	40-C80
Входно напрежение, V	100 – 240
Честота, Hz	50 – 60
Мощност, W	72
Изходящо напрежение, V прав ток/ампери, A	43/1,6

Декларация за съответствие

Декларация за съответствие на ЕС

Ние, **Husqvarna AB**, SE-561 82 Huskvarna, ШВЕЦИЯ,
тел.: +46-36-146500, декларираме на своя собствена
отговорност, че продуктът:

Описание	Ръчно компресорно оборудване с акумулаторна батерия
Марка	Husqvarna
Тип/модел	122iB
Идентификация	Серийни номера от 2025 и нататък

е в съответствие със следните директиви и
регламенти на ЕС с изменения:

Регламент	Описание
2006/42/EO	"относно машините"
2014/30/EC	"относно електромагнитната съвместимост"
2011/65/EC	"по отношение на ограничението за използване на определени опасни вещества в електрическо и електронно оборудване"
2000/14/EO	"относно шумовите емисии в околната среда"

и че следните стандарти и/или технически
характеристики са приложени: EN 62841-1:2015/
A11:2022, EN IEC 62841-4-6:2024/A11:2024, EN IEC
63000:2018

EN IEC 55014-1:2021, EN IEC 55014-2:2021

В съответствие с директива 2000/14/EO, приложение
V, направете справка с *Технически данни на*
страница 32 за декларираните звукови стойности.

Huskvarna, 2025-11-03

Claes Losdal, мениджър по развойна дейност,
Husqvarna AB

Отговорен за техническата документация



Obsah

Úvod.....	35	Odstraňování problémů.....	44
Bezpečnost.....	36	Přeprava, skladování a likvidace.....	45
Montáž.....	41	Technické údaje.....	45
Provoz.....	42	Prohlášení o shodě.....	47
Údržba.....	43		

Popis výrobku

(Obr. 1)

1. Tryska foukače
2. Tlačítko pro uvolnění trysky foukače
3. Klávesnice
4. Páčka spínače
5. Řídítka
6. Vypínač
7. Ukazatel zapnutí
8. Varovná a chybová kontrolka LED
9. Tlačítko ovládání rychlosti
10. Podpěry
11. Tlačítko ukazatele stavu baterie
12. Stav baterie
13. Varovná kontrolka baterie
14. Tlačítko pro uvolnění baterie
15. Baterie
16. Indikátor napájení a výstražný indikátor
17. Konektor
18. Nabíječka baterií 40-C80
19. Návod k používání

Popis výrobku

Husqvarna 122iB je model foukače s elektrickým motorem.

Zamýšlené použití

Tento výrobek je spolehlivý a snadno použitelný ruční foukač pro veškeré foukací práce a obecné čištění v domácnosti a na zahradě.

Symboly na výrobku

- (Obr. 2) **VAROVÁNÍ:** Tento výrobek může být nebezpečný a způsobit obsluze či dalším osobám vážné zranění. Budte opatrní a výrobek používejte správně.
- (Obr. 3) Pečlivě si prostudujte návod k použití a předtím, než produkt začnete používat, se přesvědčte o tom, že pokynům rozumíte.
- (Obr. 4) Vždy používejte schválenou ochranu očí.
- (Obr. 5) **VAROVÁNÍ** – Udržujte dostatečnou vzdálenost od osob v okolí.
- (Obr. 6) Nevystavujte dešti.

(Obr. 7) Štítek s emisemi hluku do okolí podle směrnice a předpisů Evropské unie a nařízení o regulaci hluku v australském Novém Jižním Walesu „Protection of the Environment Operations (Noise Control) Regulation 2017“. Garantovaná hladina akustického výkonu tohoto výrobku je uvedena v části *Technické údaje na straně 45* a na štítku.

(Obr. 8) Výrobek ani obal výrobku nelze zlikvidovat jako domácí odpad. Odevzdejte jej ve stanici pro recyklaci elektrických a elektronických zařízení.

(Obr. 9) Výrobek odpovídá příslušným směrnícím ES.

(Obr. 10) Jmenovité napětí, V

(Obr. 11) Stejnoseměrný proud.

yyyy xxxxxx | Typový štítek s výrobním číslem: **yyyy** znamená rok výroby, **ww** znamená týden výroby a **xxxxx** je sériové číslo.

Povšimněte si: Další symboly/štítky na výrobku se týkají zvláštních certifikačních požadavků pro určité obchodní trhy.

Symboly na baterii nebo na nabíječce baterií

(Obr. 12) Transformátor se zabezpečením proti selhání.

(Obr. 13) Nabíječku baterií používejte a skladujte pouze ve vnitřních prostorech.

(Obr. 14) Dvojitá izolace.

(Obr. 15) Odevzdejte výrobek ve stanici pro recyklaci elektrických a elektronických zařízení. (Platí pouze pro Evropu)

Poškození výrobku

Neneseme odpovědnost za poškození výrobku, pokud:

- byl výrobek nesprávně opraven.
- byl výrobek opraven pomocí součástí od jiného výrobce nebo součástí, které nejsou výrobcem schváleny.
- má výrobek příslušenství od jiného výrobce nebo příslušenství, které není výrobcem schváleno.
- výrobek nebyl opraven ve schváleném servisním středisku nebo schváleným odborníkem.

Výrobce

Husqvarna AB

Drottninggatan 2, SE-561 82 Huskvarna

Bezpečnost

Definice týkající se bezpečnosti

Varování, upozornění a poznámky slouží jako upozornění na specifické důležité části návodu.



VÝSTRAHA: Používá se v případě nebezpečí úrazu nebo usmrcení obsluhy nebo okolních osob, pokud nejsou dodrženy pokyny uvedené v této příručce.



VAROVÁNÍ: Používá se v případě nebezpečí poškození výrobku, dalších materiálů či škod na majetku v blízkém okolí, pokud nejsou dodrženy pokyny uvedené v této příručce.

Povšimněte si: Používá se k poskytnutí dalších informací, které jsou nezbytné v dané situaci.

Obecné bezpečnostní pokyny pro stroj



VÝSTRAHA: *Prostudujte si všechny bezpečnostní pokyny, varování, pokyny, ilustrace a technické údaje dodané s tímto strojem. Při nedodržení některého z pokynů uvedených níže může dojít k úrazu elektrickým proudem, požáru nebo vážnému poranění.*

Ušchovejte si veškerá upozornění a pokyny pro budoucí potřebu.

Povšimněte si: *Pojem „stroj“ použity v bezpečnostních pokynech se vztahuje na stroj napájený ze sítě (se síťovým kabelem) nebo napájený baterií (bezdrátový).*

Bezpečnost na pracovišti

- **Udržujte pracovní prostor čistý a dobře osvětlený.** Nepořádek nebo neosvětlené oblasti mohou vést k úrazům.
- **Nepoužívejte stroj ve výbušném prostředí, například v přítomnosti hořlavých kapalin, plynů či prachu.** Stroj vytváří jiskry, které mohou zapálit prach nebo výpary.

- **Udržujte děti a ostatní osoby během práce se strojem v dostatečné vzdálenosti.** Při rozptýlení pozornosti můžete ztratit kontrolu nad strojem.

Elektrická bezpečnost

- **Zástrčky stroje musí odpovídat použité elektrické zásuvce. Zástrčku nikdy žádným způsobem neupravujte. U uzemněných strojů nepoužívejte žádné adaptéry.** Původní zástrčky a odpovídající zásuvky snižují nebezpečí úrazu elektrickým proudem.
- **Zabraňte tělesnému kontaktu s uzemněnými povrchy, např. trubkami, radiátory, sporáky a chladničkami.** Pokud je lidské tělo uzemněno, hrozí větší nebezpečí úrazu elektrickým proudem.
- **Stroj nevystavujte dešti ani vlhku.** Voda uvnitř stroje zvyšuje riziko úrazu elektrickým proudem.
- **Nezacházejte hrubě s napájecím kabelem. Stroj nikdy nenoste za kabel. Za kabel netahejte a stroj neodpojujte od sítě taháním za kabel. Nevystavujte napájecí kabel působení tepla, oleje, nepoškodte ho ostrými hranami nebo pohyblivými částmi.** Poškozený nebo ohnutý kabel zvyšuje nebezpečí úrazu elektrickým proudem.
- **Při používání stroje venku použijte prodlužovací kabel určený pro venkovní použití.** Použití kabelu určeného pro venkovní použití snižuje nebezpečí úrazu elektrickým proudem.
- **Pokud je nezbytné pracovat se strojem ve vlhkém prostředí, použijte zdroj s proudovým chráničem.** Použití proudového chrániče snižuje nebezpečí úrazu elektrickým proudem.

Osobní bezpečnost

- **Při práci se strojem dávejte pozor, sledujte, co děláte, a používejte zdravý rozum. Stroj nepoužívejte, pokud jste unaveni nebo jste pod vlivem drog, alkoholu či léků.** Chvilka nepozornosti při práci se strojem může vést k vážným poraněním.
- **Používejte osobní ochranné pomůcky. Vždy používejte ochranu zraku.** Ochranné prostředky, jako jsou respirátor, protiskluzové bezpečnostní boty, ochranná helma nebo ochrana sluchu, použijte správným způsobem snižují nebezpečí úrazu.
- **Zabraňte náhodnému spuštění. Před připojením k elektrickému napájení nebo vložení baterií, zvednutím nebo nošením stroje se přesvědčte, že je vypínač ve vypnuté poloze.** Přenašení stroje

s prstem na spínači nebo připojování stroje se zapnutým spínačem ke zdroji napětí zvyšuje riziko nehody.

- **Před zapnutím stroje odstraňte jakékoliv seřizovací nebo dotahovací klíče.** Klíč ponechaný na rotující části stroje může způsobit úraz.
- **Nenatahujte se příliš daleko. Neustále pevně stůjte a držte rovnováhu.** Budete tak mít lepší kontrolu nad strojem v neočekávaných situacích.
- **Noste vhodný oděv. Nenoste volné oblečení ani šperky. Udržujte vlasy a oděv mimo dosah pohyblivých částí.** Pohyblivé části mohou zachytit volný oděv, šperky nebo dlouhé vlasy.
- **Pokud jsou zařízení přizpůsobena pro připojení odsávačů a lapačů prachu, musí být připojena a správně použita.** Použitím lapačů prachu snižujete rizika spojená s výskytem prachu.
- **Nedovoďte, aby rutina nabytá častým používáním stroje způsobila, že začnete být neopatrní a budete ignorovat bezpečnostní zásady při zacházení se strojem.** Neopatrný úkon může způsobit vážné zranění ve zlomku sekundy.

Používání stroje a péče o něj

- **Stroj nepřetěžujte.** Pro danou práci používejte jen k tomu určený stroj. Vhodný stroj bude dělat práci lépe a bezpečněji při rychlosti, pro kterou byl navržen.
- **Nepoužívejte stroj, pokud nefunguje vypínač.** Stroj, který nelze ovládat vypínačem, je nebezpečný a musí být opraven.
- **Před jakýmkoli nastavováním, výměnou příslušenství nebo uložením stroje odpojte zástrčku od napájení nebo vytáhněte z nástroje baterie, pokud je to možné.** Toto opatření zabraňuje náhodnému spuštění stroje.
- **Nepoužívaný stroj ukládejte mimo dosah dětí a nedovoďte, aby s ním pracovaly osoby, které ho dobře neznají nebo si nepřečetly tento návod k používání.** Stroje jsou v rukou neproškolených uživatelů nebezpečné.
- **Provádějte údržbu stroje a příslušenství. Kontrolujte chybné zarovnaní nebo spojení pohyblivých částí, poškození jakýchkoliv částí nebo jiné stavy, které mohou ovlivnit provoz stroje. Pokud je stroj poškozen, nechte ho před použitím opravit.** Mnohé nehody jsou způsobeny špatnou údržbou stroje.
- **Udržujte řezací stroje ostré a čisté.** Správně udržované řezací stroje s ostrým ostřím jsou méně náchylné k „zakousnutí“ a snadněji se ovládají.
- **Používejte stroj, příslušenství a další části podle těchto pokynů. V úvahu je třeba brát pracovní podmínky a prováděnou práci.** Použití stroje k jinému účelu, než pro který je určen, může mít za následek vznik nebezpečné situace.
- **Rukojeti a uchopovací plochy udržujte suché, čisté a bez zbytků oleje a maziva.** Kluzké rukojeti a uchopovací plochy neumožňují bezpečné ovládání

stroje a v neočekávaných situacích může dojít ke ztrátě kontroly.

Použití akumulátorových strojů a péče o ně

- **Baterii dobijte pouze nabíječkou specifikovanou výrobcem.** Použití nabíječky vhodné pro jeden typ baterie může pro jiný typ baterie představovat nebezpečí vzniku požáru.
- **Ve stroji používejte pouze k tomu určené baterie.** Při použití jakékoli jiné baterie hrozí riziko úraza a požáru.
- **Když baterii nepoužíváte, udržujte ji stranou od kovových předmětů, např. kancelářských sponek, mincí, klíčů, hřebíků, šroubů nebo jiných malých kovových předmětů, které by mohly spojit kontakty baterie.** Při zkratování kontaktů baterie může dojít k popáleninám nebo k požáru.
- **V nevhodných podmínkách může dojít k vytečení kapaliny z baterie. Vyvarujte se kontaktu s kapalinou.** Pokud dojde k náhodnému kontaktu, opláchněte postižené místo vodou. Při zasažení očí kapalinou vyhledejte lékařskou pomoc. Kapalina vyteká z baterie může způsobit podráždění nebo popáleniny.
- **Nepoužívejte poškozenou nebo pozměněnou baterii nebo stroj.** Poškozené nebo upravené baterie mohou vykazovat neočekávané chování vedoucí k požáru, výbuchu nebo nebezpečí poranění.
- **Baterii nebo stroj nevystavujte ohni nebo příliš vysoké teplotě.** Vystavení ohni a teplotám nad 130 °C může způsobit explozi.
- **Dodržujte všechny pokyny pro nabíjení a nikdy nenabíjete baterii nebo stroj mimo teplotní rozsah uvedený v pokynech.** Nesprávné nabíjení nebo nabíjení při teplotách mimo uvedený rozsah může mít za následek poškození baterie a zvýšené nebezpečí požáru.

Servis

- **Servis stroje smí provádět pouze kvalifikovaná osoba za použití identických náhradních dílů.** To zajistí zachování bezpečnosti stroje.
- **Nikdy neprovádějte servis poškozených baterií.** Servis baterií smí provádět pouze výrobce nebo autorizovaný servis.

Bezpečnostní varování pro zahradní foukač

- **Zahradní foukač nepoužívejte za špatného počasí, zejména pokud hrozí riziko blesku.** Snížíte tak riziko zasažení bleskem.
- **Používejte ochranu očí.** Vhodné ochranné prostředky snižují riziko poranění.
- **Při používání zahradního foukače vždy noste ochrannou protiskluzovou obuv.** Zahradní foukač neprovolejte naboso nebo v otevřených sandálech. Snížíte tím riziko poranění nohou.
- **Nenoste volné oblečení nebo doplňky jako šály, tkaničky, řetízky, vázanky apod., které by mohly**

být vtaženy do vzduchových vstupů. Dlouhé vlasy si sepněte nebo zakryjte, abyste zabránili jejich vtažení do vzduchových vstupů. V případě vtažení podobných předmětů do vzduchových vstupů se může zvýšit riziko zranění.

- Během provozu zajistěte bezpečnou vzdálenost mezi zahradním foukačem a dalšími osobami. Odletující nečistoty mohou zvýšit riziko zranění.
- Trysku foukače nesměřujte na osoby, zvířata ani na okna. Při sfoukávání nečistot v blízkosti pevných předmětů, jako jsou stromy, automobily a stěny, které mohou částice odrazit, dbejte zvláštní opatření. Odletující předměty mohou poškodit majetek a zvýšit riziko úrazu.
- Zahradní foukač nepoužívejte na předměty nebo látky, které hoří nebo doutnají, například cigarety, zápalky nebo horký popel. Tyto zdroje vznícení mohou zvýšit riziko požáru.
- Nedotýkejte se otáčejícího se ventilátoru. Pokud chcete získat přístup k ventilátoru, před demontáží dílů zahradní foukač vypněte a počkejte, dokud se ventilátor nezastaví. Tím snížíte riziko poranění pohyblivými součástmi.
- Při odstraňování uvízlého materiálu nebo údržbou zahradního foukače se ujistěte, že je vypínač vypnutý. Neočekávané spuštění zahradního foukače při odstraňování uvízlého materiálu nebo servisu může vést k vážnému zranění.

Obecné bezpečnostní pokyny



VÝSTRAHA: Před použitím výrobku si přečtěte následující varování.

- Tento výrobek je nebezpečný, nepoužívá-li se správně nebo není-li věnována provozu řádná pozornost. Nedodržení bezpečnostních pokynů může vést ke zranění nebo usmrcení.
- Tento výrobek vytváří během provozu elektromagnetické pole. Toto pole může za určitých okolností narušovat funkci aktivních či pasivních implantovaných lékařských přístrojů. Za účelem snížení rizika možného zranění nebo smrtelného úrazu doporučujeme osobám s implantovanými lékařskými přístroji poradit se před použitím výrobku s lékařem a s výrobcem implantovaného lékařského přístroje.
- Buďte stále opatrní a používejte zdravý rozum. Pokud si nejste jisti, jak výrobek ovládat ve zvláštních situacích, vypněte jej a obraťte se na prodejce Husqvarna, než budete pokračovat v práci.
- Mějte na paměti, že obsluha je odpovědná za nehody a škody vzniklé jiným osobám nebo na jejich majetku.
- Udržujte výrobek čistý. Ujistěte se, že jsou značky a štítky dobře čitelné.
- Nikdy nedovolte dětem nebo osobám, které se neseznámily s těmito pokyny, aby zařizovaly

používaly. Věk obsluhy může být omezen místními předpisy.

- Vždy dohlížejte na osoby s fyzickým nebo mentálním postižením při práci s výrobkem. Vždy musí být přítomna zodpovědná dospělá osoba.
- Nepoužívejte výrobek, jste-li unavení, nemocní nebo pod vlivem alkoholu, drog nebo léků. To by mohlo ovlivnit váš zrak, ostražitost, koordinaci a úsudek.
- Nepoužívejte výrobek, pokud je poškozený nebo nefunguje správně.
- Nikdy neupravujte výrobek a nepoužívejte jej, pokud je možné, že jej upravil někdo jiný.

Bezpečnost práce



VÝSTRAHA: Před použitím výrobku si přečtěte následující varování.

- Používejte osobní ochranné pomůcky. Viz část *Osobní ochranné prostředky na strani 39*.
- Ujistěte se, že víte, jak v případě nouze rychle zastavit motor.
- Neprovazujte výrobek v dešti a vlhku. Nebezpečí úrazu elektrickým proudem se zvyšuje, přijde-li výrobek do styku s vodou.
- Při práci s výrobkem vždy stůjete za ním.
- Nikdy výrobek nezvedejte, když je spuštěný motor. Pokud musíte výrobek zvednout, vypněte motor a vyjměte baterii.
- Při práci s výrobkem nechoďte směrem dozadu.
- Vypněte motor, pokud je nutně výrobek naklonit kvůli přepravě nebo před přejezdem ploch bez trávy, jako jsou cesty ze šterku, kamenů nebo asfaltu.
- Neběhejte s výrobkem, když je spuštěný motor. Při práci s výrobkem vždy pouze chodíte.
- Vibrace spuštěného výrobku se mohou lišit od hodnoty uvedené v části *Technické údaje na strani 45*. Rozdíl je způsoben odchylkami ve způsobu používání výrobku. Pokud výrobek provozujete často nebo po delší časové intervaly, dělejte pravidelné přestávky, abyste předešli zraněním způsobeným vibracemi.

Bezpečnostní pokyny pro provoz



VÝSTRAHA: Před použitím výrobku si přečtěte následující varování.

- Dostanete-li se do situace, kdy pocítíte jakoukoliv pochybnost co do práce s vybavením, požádejte o radu odborníka. Spojte se s vaším prodejcem nebo servisem. Nepoužívejte vybavení, necítíte-li se dostatečně kvalifikováni.
- Ujistěte se, že se můžete volně pohybovat a bezpečně stát. Zkontrolujte, zda ve vašem bezprostředním okolí nejsou nějaké překážky (kořeny, kameny, větve, jámy, příkopy apod.), pro

- případ, že by bylo nutné se rychle přesunout. Zvláštní pozornost věnujte práci ve svažitém terénu.
- Neustále udržujte dobrou rovnováhu a pevný postoj. Nenatahujte se příliš daleko.
 - Používáte-li ochranu sluchu, vždy je nutné dávat pozor na výstražné signály nebo volání. Sejměte vždy ochranu sluchu ihned po zastavení výrobku.
 - Nepoužívejte výrobek v blízkosti otevřených oken.
 - Buďte ohleduplní ke svému okolí a nepoužívejte výrobek v nevhodném čase jako je pozdě večer nebo velmi brzo ráno. Dodržujte místní předpisy a nařízení.
 - Používejte výrobek s co nejmenším proudem vzduchu. Plný proud vzduchu se používá málokdy a většinu práce lze provádět s polovičním proudem vzduchu. Menší proud vzduchu znamená méně hluku a prachu. Foukané a přesouvané smetí také budete mít snáz pod kontrolou.
 - Při použití výrobku v prašných podmínkách mírně zvlhčete povrch.
 - Nečistoty zašlapané do země nejdříve uvolněte hráběmi nebo koštětem.
 - Ústí trubice foukače držte co možná nejbliže nad zemí.
 - Pozorujte své okolí. Výrobek vždy směřujte od lidí, zvířat, dětských hřišť, automobilů atp.
 - Zkraťte dobu foukání na minimum tím, že mírně navlhčíte prašné oblasti nebo použijete postřikovací zařízení.
 - Při práci dbejte na směr větru. Vždy pracuje po směru větru, usnadní vám to práci.
 - Pokud výrobek začne neobvykle vibrovat, vypněte jej a vyměňte baterii.
 - Používání foukače pro přemísťování velké hromady např. listí vám zabere mnoho času a foukač bude zbytečně hlučný.
 - Po skončení práce po sobě uklidte. Nefoukejte nečistoty na cizí pozemek nebo zahradu.
 - Neběhejte s výrobkem.
 - Velmi silný proud vzduchu může dát do pohybu odklizené předměty takovou rychlostí, že se mohou odrazit zpět a vážně poškodit oči.

(Obr. 16)

- Nikdy nesměřujte proud vzduchu na lidi ani zvířata.
- Před prováděním montáže nebo demontáže příslušenství nebo jiných součástí vypněte motor.
- Všechny části těla udržujte mimo dosah horkých povrchů.
- Nikdy neodkládejte výrobek, který je v chodu, aniž byste jej měli pod plnou kontrolou.
- Foukač nesmí být používán pokud stojíte na žebříku nebo skládacím lešení.

(Obr. 17)

- Nikdy nepracujte s výrobkem, nemáte-li možnost přivolat pomoc v případě nehody.

- Dejte pozor na odmrštěné předměty. Odlétávající kamení, smetí apod. může zasáhnout zrak a způsobit slepotu nebo jiná vážná zranění.
- Pro zvýšení bezpečnosti při nabíjení výrobku použijte proudový chránič. Proudový chránič chrání obsluhu v případě elektrické závady.
- Tento výrobek se vyznačuje nízkými vibracemi. Nadměrným vystavením vibracím může u osob se zhoršenou funkcí krevního oběhu vést k poruchám oběhového nebo nervového systému. V případě, že byste pocítili příznaky obtíží způsobených nadměrným vystavením vibracím, obraťte se na svého lékaře. Mezi tyto příznaky patří strnulost končetin, ztráta citu, mravenčení, píchání, bolest, zeslábnutí, změna barvy nebo vzhledu pokožky. Tyto příznaky se obvykle objevují v prstech, na ruce nebo v zápěstí.
- Výrobek používejte pouze k účelu, ke kterému je určen.
- Není možné zmínit všechny představitelné situace, se kterými se můžete setkat. Buďte stále opatrní a používejte zdravý rozum. Vyhněte se všem situacím, o kterých se domníváte, že jsou nad vaše možnosti. Pokud si ani po přečtení tohoto návodu nebudete jisti, jak stroj správně používat, než budete pokračovat v práci, obraťte se na odborníka.
- Výrobek vždy držte pravou nebo levou rukou. Výrobek držte u boku.

(Obr. 18)

Osobní ochranné prostředky



VÝSTRAHA: Před použitím výrobku si přečtěte následující varování.

- Při použití výrobku je nutné vždy používat schválené osobní ochranné prostředky. Osobní ochranné prostředky nemohou zcela eliminovat nebezpečí úrazu, ale v případě nehody pomáhají snížit míru poranění. Požádejte prodejce, aby vám pomohl vybrat správné vybavení.
- Vždy používejte schválenou ochranu sluchu.

(Obr. 19)

- Vždy používejte schválenou ochranu očí. Použijete-li štít, je nutno použít i schválené ochranné brýle. Schválené ochranné brýle musí být v souladu s normou ANSI Z87.1 v USA nebo EN 166 v zemích EU.

(Obr. 20)

- V případě potřeby použijte rukavice.

(Obr. 21)

- Používejte ochrannou obuv s ocelovou špičkou a protiskluzovou podrážkou.

(Obr. 22)

- Noste oblečení vyrobené z pevné tkaniny. Vždy používejte silné, dlouhé kalhoty a dlouhé rukávy. Nepoužívejte volné oblečení, které se může zachytit

o keře nebo větve. Nenoste šperky, krátké kalhoty nebo sandály. Nepracujte naboso. Stáhněte si vlasy bezpečně nahoru nad úroveň ramen.

- Mějte při ruce lékárníčku.

(Obr. 23)

Bezpečnostní zařízení na produktu



VÝSTRAHA: Před použitím výrobku si přečtěte následující varování.

- V této části je popsáno bezpečnostní vybavení výrobku, jeho účel a způsob provádění kontroly a údržby k zajištění správného provozu. Umístění těchto částí na výrobku naleznete v pokynech v kapitole *Popis výrobku na strani 35*.
- Životnost výrobku se může zkracovat a riziko úrazů zvyšovat, jestliže se údržba neprovádí správně nebo se opravy neprovádějí odborně. Pokud potřebujete další informace, obraťte se na nejbližšího servisního prodejce.
- Nikdy výrobek nepoužívejte s poškozenými bezpečnostními součástmi. Kontrolu a údržbu bezpečnostního vybavení výrobku je nutno provádět podle postupů uvedených v této části. V případě, že by výrobek nevyhověl při jakékoli z těchto kontrol, je nutno vyhledat autorizované servisní středisko a nechat závadu odstranit.
- Veškerý servis a opravy produktu vyžadují speciální odborné školení. To se týká především servisu a oprav bezpečnostního vybavení produktu. V případě, že by produkt nevyhověl při některé z níže popsaných kontrol, je nutno vyhledat servisní opravnu. Každému zákazníkovi, který zakoupí kterýkoli z našich výrobků, zaručujeme dostupnost profesionálních oprav a servisních prací. Pokud prodejce, který vám produkt prodal, neposkytne servis, požádejte jej o adresu naší nejbližší servisní opravny.

Kontrola klávesnice

1. Stiskněte vypínač (A), dokud se nerozsvítí ukazatel zapnutí (B). (Obr. 24)
2. Pokud svítí nebo bliká varovná kontrolka (C), řiďte se pokyny v části *Odstraňování problémů na strani 44*.

Kontrola páčky spínače

- Stiskněte a uvolněte páčku spínače a zkontrolujte, zda se volně pohybuje. (Obr. 25)

Bezpečnostní pokyny týkající se baterií



VÝSTRAHA: Před použitím výrobku si přečtěte následující varování.

- Doporučená baterie je 40-B series. Baterie jsou softwarově zašifrovány.

- Používejte pouze baterii 40-B series, která je dobíjecí a vhodná jako zdroj napájení pro související výrobky Husqvarna. Abyste zabránili zranění, nepoužívejte baterii jako zdroj napájení pro jiná zařízení.
- Nebezpečí úrazu elektrickým proudem. Svorky baterie nepřipojujte ke klíčům, šroubkům nebo jiným kovovým předmětům. Může to způsobit zkrat baterie.
- Nepoužívejte baterie, které nejsou dobíjecí.
- Nevkládejte do větracích otvorů baterie žádné předměty.
- Chraňte baterii před sluncem, teplem nebo otevřeným ohněm. Baterie může způsobit popáleniny nebo chemické popáleniny.
- Chraňte baterii před deštěm a vlhkým prostředím.
- Chraňte baterii před mikrovlnami a vysokým tlakem.
- Baterii nikdy nerozebírejte nebo nerozbíjejte.
- Zamezte kontaktu kůže s akumulátorovou kyselinou. Akumulátorová kyselina způsobuje zranění, poleptání a popálení kůže. Pokud se vám akumulátorová kyselina dostane do očí, nemněte si je, ale vyplachujte je velkým množstvím vody po dobu minimálně 15 minut. Pokud dojde ke styku kůže s akumulátorovou kyselinou, musíte omýt pokožku velkým množstvím vody a mýdla. Vyhledejte lékařskou pomoc.
- Baterii používejte při teplotě -10 až 40 °C.
- Baterii ani nabíječku baterií nečistěte vodou. Viz část *Čištění výrobku, baterie a nabíječky baterií na strani 43*.
- Nepoužívejte poškozenou baterii.
- Baterie uchovávejte mimo dosah kovových předmětů, jako jsou např. hřebíky, šrouby nebo šperky.
- Uchovávejte baterie mimo dosah dětí.

Bezpečnostní pokyny pro nabíječku baterií



VÝSTRAHA: Před použitím výrobku si přečtěte následující varování.

- Pokud nejsou bezpečnostní pokyny dodržovány, hrozí nebezpečí úrazu elektrickým proudem nebo zkrat.
- Nepoužívejte nabíječku, která nebyla dodána s výrobkem. Při nabíjení náhradních baterií řady 40-B používejte výhradně nabíječky 40-C80.
- Nabíječku baterií nerozebírejte.
- Nepoužívejte nabíječku baterií, která je poškozená nebo nefunguje správně.
- Nabíječku nezvedejte pomocí napájecího kabelu. Když nabíječku baterií odpojíte z elektrické zásuvky, tahejte za zástrčku. Netahujte za napájecí kabel.
- Všechny kabely včetně prodlužovacích udržujte mimo dosah vody, oleje a ostrých hran. Dejte pozor, aby se kabel nezachytil mezi předměty, například do dveří, za plot a podobně.

- Nabíječku nepoužívejte v blízkosti hořlavých nebo korozivních materiálů. Zkontrolujte, zda není nabíječka baterií poškozená. V případě, že zaznamenáte kouř nebo požár, vytáhněte zástrčku kabelu nabíječky baterií ze zásuvky.
- Baterii nabíjejte pouze uvnitř, a to v místech s dobrým prouděním vzduchu a mimo dosah slunečního světla. Nenabíjejte baterii venku. Nenabíjejte baterii ve vlhkém prostředí.
- Používejte nabíječku baterií pouze v místech, kde je teplota v rozsahu 5 až 40 °C. Nabíječku používejte v dobře větraném, suchém a bezprašném prostředí.
- Nevkládejte do chladících otvorů nabíječky baterií žádné předměty.
- Nepřipojujte svorky nabíječky baterií ke kovovým předmětům, protože by mohlo dojít ke zkratování nabíječky.
- Používejte schválené a nepoškozené síťové zásuvky. Zkontrolujte, zda není napájecí šňůra nabíječky poškozena. Pokud používáte prodlužovací kabely, zkontrolujte, zda nejsou poškozeny.
- V nabíječce nenabíjejte baterie, které nejsou dobíjecí.
- Před prováděním údržby, kontroly nebo montáže výrobku vyjměte baterii.
- Obsluha smí provádět pouze takové údržbářské a servisní úkony, které jsou popsány v tomto návodu k používání. Před provedením údržby a servisu většího rozsahu se obraťte na servisního prodejce.
- Baterii ani nabíječku baterií nečistěte vodou. Silné čisticí prostředky mohou způsobit poškození plastových dílů.
- Pokud byste neprováděli údržbu, podstatně by se zkrátil životní cyklus výrobku a zvýšilo se nebezpečí nehod.
- K provádění servisu a opravy je nutné speciální školení, zejména co se týče bezpečnostních zařízení. Pokud není možné po provedení údržby schválit všechny kontroly uvedené v tomto návodu k používání, obraťte se na servisního prodejce. Garantujeme, že jsou pro váš výrobek k dispozici profesionální opravy a servis.
- Používejte pouze originální náhradní díly.

Bezpečnostní pokyny pro údržbu



VÝSTRAHA: Před prováděním údržby výrobku si přečtete následující varování.

Montáž

Úvod



VÝSTRAHA: Než začnete montovat výrobek, přečtete si pozorně kapitolu o bezpečnosti.

1. Upevněte nabíječku na stěnu pomocí 2 šroubů (A). V případě potřeby použijte hmoždinky (B). (Obr. 27)
2. Namontujte krytky na 2 šrouby (C).
3. Připojte napájecí kabel (D) k nabíječce a elektrické zásuvce.

Instalace trysky

1. Nasaďte trysku na přední konec výrobku. (Obr. 26)
2. Zatlačte na trysku tak, abyste uslyšeli cvaknutí.

Instalace nabíječky 40-C80 na stěnu



VAROVÁNÍ: K instalaci nabíječky baterií na stěnu nepoužívejte elektrický šroubovák. Elektrický šroubovák může nabíječku poškodit.

Provoz

Úvod



VÝSTRAHA: Než začnete s výrobkem pracovat, přečtěte si důkladně kapitolu o bezpečnosti.

kapitole o bezpečnosti. Rovněž je nezbytné, abyste si přečetli a pochopili návod k používání baterie a nabíječky baterií.

Kontrola funkcí před použitím výrobku

1. Zkontrolujte, zda na přívodu vzduchu nejsou nečistoty nebo praskliny. Pomocí kartáče odstraňte z výrobku trávu a listí. Viz část *Kontrola přívodu vzduchu na strani 43*.
2. Zkontrolujte, zda výrobek funguje správně.
3. Zkontrolujte a dotáhněte všechny matice a šrouby.

Baterie



VÝSTRAHA: Před použitím baterie je třeba, abyste si přečetli a porozuměli

Baterii i nabíječku skladujte za správné okolní teploty.

	Okolní teplota
Provoz výrobku	-5 °C – 40 °C / 23 °F - 104 °F
Nabíjení baterie	5 °C – 40 °C / 41 °F - 104 °F

Kontrolka LED stavu baterie

Displej ukazuje stav nabití a zda došlo k problémům s baterií.
(Obr. 28)

Kontrolka LED	Stav baterie (stav nabití)
	40-B140
Svítil 4 kontrolky LED	Baterie je nabitá na 76–100 %.
Svítil 3 kontrolky LED	Baterie je nabitá na 51–75 %.
Svítil 2 kontrolky LED	Baterie je nabitá na 26–50 %.
Svítil 1 kontrolka LED	Baterie je nabitá na 6–25 %.
Bliká 1 kontrolka LED	Baterie je nabitá na 0–5 %.

Nabití baterie

Před prvním použitím baterii nabijte. Nová baterie je nabitá pouze na 30 %.



VAROVÁNÍ: Nabíječku baterií zapojte do zásuvky s hodnotami napětí a frekvence, které jsou uvedené na typovém štítku.

Baterie se nenabíjí, pokud je teplota baterie vyšší než 50 °C.

1. Připojte k nabíječce baterií napájecí kabel.
2. Zapojte nabíječku baterií do uzemněné zásuvky. Kontrolka LED nabíjení jednou blikne. (Obr. 29)
3. Připojte baterii k nabíječce baterií. Rozsvítí se kontrolka LED dobíjení. Baterii nabíjejte maximálně po dobu 24 hodin. (Obr. 30)
4. Stiskněte tlačítko ukazatele stavu baterie. Pokud se rozsvítí všechny kontrolky LED, baterie je plně nabitá.

5. Vytažením napájecí zástrčky odpojte nabíječku baterií z elektrické zásuvky. Netahejte za napájecí kabel.
6. Vyjměte baterii z nabíječky.

Instalace baterie do výrobku



VÝSTRAHA: Ve výrobku použijte pouze doporučenou baterii Husqvarna.

1. Zkontrolujte, zda je baterie plně nabitá.
2. Zatláčte baterii do držáku baterie tak, abyste uslyšeli cvaknutí. Baterie se musí pohybovat snadno. Pokud tomu tak není, není správně nainstalovaná. (Obr. 31)

Spuštění výrobku

1. Stiskněte a podržte tlačítko pro spuštění, dokud se nerozsvítí zelená kontrolka LED. (Obr. 32)
2. K ovládání výrobku používejte páčku spínače.

Nastavení optimálního proudu vzduchu pro práci

- Stisknutím tlačítka ovládání rychlosti nastavte proudění vzduchu. Proudění vzduchu má 3 úrovně. (Obr. 33)

Zastavení výrobku

1. Uvolněte páčku spínače.

2. Stiskněte a podržte vypínač, dokud zelená kontrolka LED nezhasne.
3. Stiskněte tlačítko pro uvolnění baterie a baterii vyjměte. (Obr. 34)

Funkce automatického vypnutí

Výrobek je vybaven funkcí automatického vypnutí, která jej zastaví, pokud není používán. Po 3 minutách zelený ukazatel zapnutí zhasne a výrobek se vypne.

Údržba

Úvod



VÝSTRAHA: Před prováděním jakékoli údržby je třeba, abyste si přečetli a porozuměli kapitole bezpečnosti.

Plán údržby



VÝSTRAHA: Před prováděním údržby vyjměte baterii.

Níže je uveden seznam kroků údržby, které musíte provést na výrobku.

Údržba	Denně	Týdně	Měsíčně
Očistěte výrobek čistou a suchou utěrkou. Nepoužívejte vodu.	X		
Ujistěte se, že jsou rukojeti suché a čisté.	X		
Zkontrolujte klávesnici.	X		
Zkontrolujte páčku spínače.	X		
Přesvědčte se, že jsou matice a šrouby dotažené.	X		
Zkontrolujte, zda není baterie poškozená.	X		
Zkontrolujte úroveň nabití baterie.	X		
Přesvědčte se, že nejsou poškozená uvolňovací tlačítka na bateriích a že zajišťují baterie ve výrobku.	X		
Zkontrolujte, zda není nabíječka baterií poškozená.	X		
Ujistěte se, že jsou všechny spojky, přípojky a kabely čisté a nepoškozené.		X	
Zkontrolujte konektory na baterii, nabíječe a na výrobku.			X

Kontrola přívodu vzduchu

1. Ujistěte se, že není zablokovaný přívod vzduchu. (Obr. 35)
2. Zastavte produkt a pokud je to nezbytné, odstraňte nežádoucí materiál.



VAROVÁNÍ: Ucpaný přívod vzduchu snižuje foukací kapacitu výrobku a zvyšuje provozní teplotu motoru. To může vést k poruše motoru, protože se motor příliš zahřívá.

Kontrola baterie a nabíječky baterií

1. Zkontrolujte, zda baterie nevykazuje příznaky poškození, např. praskliny.
2. Zkontrolujte, zda nabíječka baterií nevykazuje příznaky poškození, např. praskliny.
3. Zkontrolujte, zda není propojovací kabel nabíječky baterií poškozený a zda na něm nejsou praskliny.

Čištění výrobku, baterie a nabíječky baterií

1. Po použití vyčistěte výrobek suchou utěrkou.
2. Vyčistěte baterii a nabíječku baterií suchou utěrkou. Udržujte v čistotě vodičí kolejničky baterie.

3. Před vložením baterie do nabíječky baterií nebo výrobku zkontrolujte, zda jsou svorky na baterii a nabíječe baterií čisté.

Odstraňování problémů

Klávesnice

Obrazovka LED	Možné závady	Možná řešení
Bliká červená chybová kontrolka LED.	Odchylka teploty.	Nechte výrobek vychladnout.
	V konektorech baterie jsou nečistoty nebo je zablokovaný ventilátor.	Očistěte vzduchovým kompresorem nebo měkkým kartáčem.
	Baterie je vybitá.	Nabijte baterii.
	Baterie je poškozená.	Obrat'te se na servisního pracovníka.

Baterie

Obrazovka LED	Možné závady	Možná řešení
Zelená kontrolka LED bliká.	Nízké napětí baterie.	Nabijte baterii.
Chybová kontrolka LED bliká.	Odchylka teploty.	Baterii používejte při teplotách -5 °C – 40 °C / 23 °F - 104 °F.
	Příliš vysoké napětí.	Zkontrolujte, zda napětí elektrické sítě odpovídá hodnotě uvedené na typovém štítku výrobku. Vyměňte baterii z nabíječky.
Chybová kontrolka LED svítí.	Příliš velký rozdíl napětí článků (1 V).	Obrat'te se na servisního prodejce.

Nabíječka baterií

Obrazovka LED	Možné závady	Možná řešení
Kontrolka LED nabíjení svítí červeně.	Nabíječka je poškozená.	Obrat'te se na servisního prodejce.
Kontrolka LED nabíjení bliká zeleně.	Teplota baterie je mimo rozsah pro nabíjení.	Nechte baterii vychladnout nebo zahřát. Když má baterie správnou teplotu, lze ji znovu použít nebo nabít. Nabíječku baterií používejte při okolních teplotách 5 °C – 40 °C / 41 °F - 104 °F.
Kontrolka LED nabíjení bliká červeně.	Baterie je poškozená.	Obrat'te se na servisního prodejce.

Přeprava, skladování a likvidace

Přeprava a skladování

- Dodané Li-ion baterie podléhají požadavkům legislativy o nebezpečném zboží.
- Dodržujte zvláštní požadavky uvedené na obalu a označení pro komerční přepravu, platí i pro třetí strany a dopravce.
- Než odešlete výrobek, promluvte si s osobou speciálně vyškolenou ohledně manipulace s nebezpečnými materiály. Dodržujte platné celostátní předpisy.
- Před vložením baterie do obalu zalepte rozpojené kontakty páskou. Vložte baterii do obalu a zajistěte ji proti pohybu.
- Před přepravou nebo uskladněním vyjměte baterii.
- Uložte baterii a nabíječku baterií na místo, které je suché a chráněné před vlhkostí a mrazem.
- Neskladujte baterii v místech, kde může docházet k výbojům statické elektřiny. Neskladujte baterii v kovovém obalu.
- Baterii skladujte na místě, kde je teplota 5°C / 41°F and 25°C / 77°F a mimo přímé sluneční světlo.
- Nabíječku skladujte na místě, kde je teplota 5 °C/41 °F and 45°C/113°F a mimo přímé sluneční světlo.
- Nabíječku používejte pouze při okolních teplotách 5 °C – 40 °C / 41 °F - 104 °F.

- Před dlouhodobým uskladněním se ujistěte, že je baterie nabitá na 30 až 50 %.
- Výrobek skladujte při teplotách v rozsahu –40 až +60 °C.
- Uložte baterii a nabíječku baterií do uzavřené a suché místnosti.
- Skladujte baterii mimo nabíječku baterií. Nedovoľte, aby se děti nebo neoprávněné osoby dotýkaly zařízení. Uchovávejte zařízení na místě, které lze uzamknout.
- Před dlouhodobým skladováním výrobku jej vyčistěte a proveďte kompletní údržbu.
- Během přepravy musí být výrobek bezpečně upevněný.

Likvidace baterie, nabíječky baterií a výrobku

Symbols na produktu nebo obalu znamenají, že tento produkt není domácí odpad. Odevzdejte jej ve stanici pro recyklaci elektrických a elektronických zařízení. To pomůže eliminovat nebezpečí poškození životního prostředí a zdraví osob.

Další informace o možnostech recyklace vašeho produktu získáte od místních úřadů, služby svozu domovního odpadu nebo prodejce.

Technické údaje

Technické údaje

	122iB
Motor	
Typ motoru	PMDC
Hmotnost	
Hmotnost bez baterie, kg	1,9
Emise hluku, hladiny hluku, ^{7 8}	
Hladina akustického výkonu, změřená dB (A)	92,2
Hladina akustického výkonu, zaručená L _{WA} dB (A)	93
Ekvivalentní hladina akustického tlaku v úrovni uší obsluhy, měřená podle norem EN IEC 62841-4-6 a ISO 22868, dB (A)	82,8

⁷ Emise hluku do okolního prostředí měřené jako akustický výkon (L_{WA}) v souladu se směrnicí 2000/14/ES mají typickou statistickou odchylku (standardní odchylku) 1,0 dB(A).

⁸ Uváděná data pro ekvivalentní hladinu akustického tlaku pro stroj mají typickou statistickou odchylku (standardní odchylku) 1,3 dB (A).

	122iB
Úrovně vibrací⁹	
Hladiny vibrací v rukojetích, měřené podle normy EN IEC 62841-4-6, m/s ²	1,13
Výkon ventilátoru	
Maximální objem průtoku, m ³ /h	865
Maximální teoretická rychlost, m/s	53
Foukací síla, N	11

Údaje o hluku a vibracích jsou stanoveny na základě jmenovitých maximálních otáček.

Povšimněte si: Deklarovaná celková hodnota vibrací a deklarované hodnoty emisí hluku byly měřeny standardní zkušební metodou a lze je použít ke vzájemnému porovnávání nástrojů.

Povšimněte si: Deklarovaná celková hodnota vibrací a deklarované hodnoty emisí hluku lze také

použít k předběžnému zhodnocení působení na uživatele.

Povšimněte si: Emise vibrací a hluku během skutečného používání výrobku se mohou lišit od deklarováných celkových hodnot v závislosti na způsobu použití. Je nutné určit bezpečnostní opatření na ochranu obsluhy na základě odhadu expozice ve skutečných podmínkách použití. Zahrňte do odhadu všechny části provozního cyklu a přičítejte k době spuštění také například dobu, když je produkt vypnutý a když běží naprázdno.

Baterie schválené pro výrobek

Baterie	40-B140
Typ	Lithium-iontová
Kapacita baterie, Ah	Viz typový štítek baterie
Jmenovité napětí, V	36
Hmotnost, kg/lb	1,25/2,76

Schválené nabíječky baterií

Nabíječka baterií	40-C80
Vstupní napětí, V	100–240
Frekvence, Hz	50–60
Výkon, W	72
Výstupní napětí, V DC / ampéry, A	43 / 1,6

⁹ Uváděná data o úrovni vibrací mají typickou statistickou odchylku (standardní odchylku) 1,5 m/s².

Prohlášení o shodě

Prohlášení o shodě EU

Společnost **Husqvarna AB**, SE-561 82 Huskvarna,
ŠVÉDSKO, tel.: +46-36-146500, na svou výhradní
odpovědnost prohlašuje, že výrobek:

Popis	Ruční akumulátorový foukač
Značka	Husqvarna
Typ/Model	122iB
Identifikace	Výrobní čísla od roku 2025 a dále

je v souladu s následujícími směrnici a předpisy EU
v platném znění:

Nařízení	Popis
2006/42/ES	„o strojních zařízeních“
2014/30/EU	„o elektromagnetické kompatibilitě“
2011/65/EU	„o omezení používání některých nebezpečných látek v elektrických a elektronických zařízeních“
2000/14/ES	„týkající se emisí hluku do okolního prostředí“

a že byly použity následující normy nebo technické
specifikace: EN 62841-1:2015/A11:2022, EN IEC
62841-4-6:2024/A11:2024, EN IEC 63000:2018

EN IEC 55014-1:2021, EN IEC 55014-2:2021

V souladu se směrnicí 2000/14/ES, příloha V, jsou
deklarované úrovně hluku uvedeny v části *Technické
údaje na straní 45.*

Huskvarna, 2025-11-03

Claes Losdal, manažer výzkumu a vývoje, Husqvarna
AB

Osoba odpovědná za technickou dokumentaci



Indhold

Indledning.....	48	Fejlfinding.....	57
Sikkerhed.....	49	Transport, opbevaring og bortskaftelse.....	58
Montering.....	54	Tekniske data.....	58
Drift.....	55	Overensstemmelseserklæring.....	60
Vedligeholdelse.....	56		

Indledning

Produktoversigt

(Fig. 1)

1. Mundstykke til løvblæser
2. Udløserknap til blæsermundstykke
3. Tastatur
4. Strømdløser
5. Håndtag
6. Tænd/sluk-knap
7. Strømindikator
8. Advarselsindikator (fejl-LED)
9. Hastighedskontrolknap
10. Støtter
11. Batteriindikator-knap
12. Batteristatus
13. Batteriets advarselsindikator
14. Knap til udløsning af batteri
15. Batteri
16. Tænd og advarselsindikator
17. Stik
18. Batterioplader 40-C80
19. Brugervejledning

Produktbeskrivelse

Husqvarna 122iB er en løvblæsermodel med en elektrisk motor.

Anvendelsesformål

Dette produkt er en pålidelig og brugervenlig håndholdt løvblæser til alle blæseopgaver og generelle rengøringsopgaver i hjemmet og haven.

Symboler på produktet

- (Fig. 2) **ADVARSEL:** Dette produkt kan være farligt og forårsage alvorlig personskade eller død for brugeren eller andre. Vær forsigtig, og brug produktet korrekt.
- (Fig. 3) Læs brugervejledningen, og sørg for at have forstået indholdet, inden du bruger produktet.
- (Fig. 4) Brug godkendt øjenværn.
- (Fig. 5) **ADVARSEL** - Hold omkringstående væk.
- (Fig. 6) Må ikke udsættes for regn.
- (Fig. 7) Mærkat vedrørende emission af støj til omgivelserne i henhold til direktiver og regulativer i EU og New South Wales'

lovgivning om "Beskyttelse af miljøet (støjbegrensning) forordning 2017". Produktets garanterede lydeffektniveau er angivet i *Tekniske data på side 58* og på mærkaten.

- (Fig. 8) Produktet og produktemballagen er ikke almindeligt husholdningsaffald. Aflever det på en genbrugsstation til elektrisk og elektronisk udstyr.
- (Fig. 9) Produktet overholder gældende EF-direktiver.
- (Fig. 10) Nominel spænding, V
- (Fig. 11) Jævnstrøm.

yyyy wwxxxx | Typeskiltet viser serienummeret. **yyyy** er produktionsåret, **ww** er produktionssugen og **xxxx** er serienummeret.

Bemærk: Andre symboler/etiketter på produktet refererer til specifikke krav for certificering på visse markeder.

Symboler på batteriet og/eller på batteriopladeren

- (Fig. 12) Fejlsikker transformer.
- (Fig. 13) Brug og opbevar kun batteriopladeren indendørs.
- (Fig. 14) Dobbelt isolering.
- (Fig. 15) Aflever produktet på en genbrugsstation for elektrisk og elektronisk udstyr. (Gældende kun Europa)

Skader på produktet

Vi er ikke ansvarlige for skader på vores produkt, hvis:

- produktet er forkert repareret.
- produktet er repareret med dele, der ikke er fra producenten eller ikke er godkendt af producenten
- produktet har tilbehør, der ikke er fra producenten eller ikke er godkendt af producenten.

- produktet ikke er repareret på et godkendt servicecenter eller af en godkendt myndighed.

Drottninggatan 2, SE-561 82 Huskvarna

Producent

Huskvarna AB

Sikkerhed

Sikkerhedsdefinitioner

Advarsler, forholdsregler og bemærkninger bruges til at pege på særligt vigtige dele af brugsanvisningen.



ADVARSEL: Bruges, hvis føreren udsætter sig selv eller omkringstående personer for risiko for personskade eller dødsfald ved tilsidesættelse af instruktionerne i brugsanvisningen.



BEMÆRK: Bruges, hvis der er risiko for skader på produktet, andre materialer eller det omgivende område ved tilsidesættelse af instruktionerne i brugsanvisningen.

Bemærk: Bruges til at give yderligere oplysninger, der er nødvendige i en given situation.

Generelle sikkerhedsanvisninger for maskinen



ADVARSEL: Læs alle sikkerhedsanvisninger, instruktioner, illustrationer og specifikationer, der følger med denne maskine. Hvis du ignorerer de nedenfor anførte instruktioner, kan det medføre elektrisk stød, brand og/eller alvorlige skader.

Opbevar alle advarsler og instruktioner til senere brug.

Bemærk: *Det i sikkerhedsanvisningerne brugte udtryk "maskine" henviser til eldrevet værktøj (med ledning) og til elværktøj med batteri (trådløst).*

Sikkerhed i arbejdsområdet

- **Hold arbejdsområdet rent og godt oplyst.** Rodede eller mørke områder er en invitation til ulykker.
- **Undlad at arbejde med det elektriske værktøj i eksplosive omgivelser, hvori der befinder sig brandbare væsker, gas eller støv.** Maskiner frembringer gnister, som kan antænde støvet eller dampene.
- **Hold børn og andre personer borte under brugen af en maskine.** Distraktion kan få dig til at miste styringen.

Elektrisk sikkerhed

- **Maskinens stik skal passe ind i stikdåsen. Man må aldrig ændre på stikket. Undlad at bruge adaptere sammen med jordforbundne maskiner.** Uændrede stik og passende stikkontakter reducerer risikoen for elektrisk stød.
- **Undgå kropskontakt med jodede genstande som f.eks. rør, radiatorer, komfurer og køleskabe.** Der er øget risiko for elektrisk stød, hvis din krop har forbindelse til jord.
- **Udsæt ikke maskiner for regn eller våde omgivelser.** At der trænger vand ind i en maskine, øger risikoen for et elektrisk stød.
- **Behandl kablet forsigtigt. Benyt aldrig ledningen til at bære eller trække maskinen eller til at trække stikket ud. Hold kablet væk fra varme, olie, skarpe kanter eller bevægelige dele.** Beskadigede eller filtrrede kabler forøger risikoen for elektrisk stød.
- **Hvis du arbejder med en maskine udendørs, bør du kun bruge forlængerledninger, som også er beregnet til udendørs brug.** Brug af et kabel, der er egnet til udendørs brug, reducerer risikoen for elektrisk stød.
- **Hvis det ikke kan undgås at arbejde med en maskine under fugtige forhold, skal der benyttes en elforsyning, som er beskyttet med en fejlstrømsafbryder (RCD).** Brug af et kabel med fejlstrømsafbryder nedsætter risikoen for elektrisk stød.

Personlig sikkerhed

- **Vær opmærksom, hold øje med, hvad du foretager dig, og brug sund fornuft, når du betjener en maskine. Undlad at bruge en maskine, når du er træt eller påvirket af narko, alkohol eller medicin.** Et øjeblikks uopmærksomhed under brugen af en maskine kan føre til alvorlige personskader.
- **Bær personligt beskyttelsesudstyr. Brug altid beskyttelsesbriller.** Beskyttelsesudstyr som støvmaske, skridsikre sikkerhedssko, beskyttelseshjelm eller høreværn, som benyttes til de relevante formål vil nedsætte risikoen for personskade.
- **Sørg for at forhindre uønsket start af værktøjet. Sørg for, at alt er slukket, før du sætter dets stik i stikdåsen og/eller batteripakken, løfter maskinen op eller bærer det.** Hvis du har fingeren på kontakten, når du bærer maskiner eller sætter stikket i stikdåsen, mens maskinerne er tændt, kan dette føre til ulykker.

- **Fjern justeringsværktøjer eller skruenøgler, før du tænder for maskinen.** Et værktøj eller en nøgle, der sidder i en roterende del af maskinen, kan medføre personskader.
- **Stræk dig ikke for langt. Sørg for altid at have godt fodfæste og god balance.** Derved kan du bedre kontrollere maskinen i uventede situationer.
- **Bær det korrekte tøj. Undgå at bære løstsiddende tøj eller smykker.** Hold hår og tøj væk fra bevægelige dele. Løst tøj, smykker eller langt hår kan blive fanget af bevægelige dele.
- **Hvis der forefindes udstyr til støvudsugning og -opsamling, skal du sikre, at det er tilsuttet, og at det bruges korrekt.** Brug af støvopsamling kan nedbringe støvrelaterede farer.
- **Lad dig ikke blænde af falsk sikkerhed, og bryd ikke sikkerhedsreglerne for maskiner, selv hvis du er fortrolig med maskinen efter mange anvendelser.** En uforsigtig handling kan give alvorlige skader på en brøkdelt af et sekund.

Maskinens brug og behandling

- **Undlad at tvinge maskinen. Brug den maskine, der er beregnet til dit arbejde.** Med den passende maskine arbejder du bedre og mere sikkert ved den norm, som den er konstrueret til.
- **Undlad at bruge en maskine, hvis kontakt er i stykker.** En maskine, der ikke længere kan tændes eller slukkes, er farlig og skal repareres.
- **Tag stikket ud af stikkontakten og/eller fjern batterienheden, hvis den kan tages ud, fra maskinen, før du foretager justeringer, skifter tilbehør eller sætter dem til opbevaring.** Denne sikkerhedsregel forhindrer, at maskinen tændes ved en fejl.
- **Opbevar maskiner, der ikke bruges, udenfor børns rækkevidde. Lad ikke personer, som ikke er fortrolige med maskinerne eller ikke har læst disse anvisninger, bruge maskinerne.** Maskiner er farlige, hvis de bruges af uerfarne personer.
- **Vedligehold maskiner og tilbehør. Kontrollér, om bevægelige dele sidder forkert eller binder, om dele er ødelagt, og om der foreligger nogen anden tilstand, som kan påvirke maskinens funktion. Få de skadede maskiner repareret, før apparatet bruges.** Årsagen til mange ulykker er dårligt vedligeholdte maskiner.
- **Hold skæremaskinen skarp og ren.** Korrekt vedligeholdte skæremaskiner med skarpe klinger er mindre tilbøjelige til at binde og er lettere at styre.
- **Benyt maskinen, tilbehøret, værktøjsbits osv. i overensstemmelse med disse instruktioner, og tag højde for arbejdsforholdene og det arbejde, der skal udføres.** At bruge maskinen til andet, end hvad den er beregnet til, kan medføre farlige situationer.
- **Hold håndtag og gribeblader tørre, rene og frie for olie og fedt.** Glatte håndtag og håndtagsflader gør umuliggør en sikker betjening og kontrol af det elektriske værktøj i uforudsete situationer.

Brug og vedligeholdelse af batteridrevet maskine

- **Genoplad kun med den oplader, som producenten foreskriver.** En oplader, der egner sig til en bestemt type batteripakke, kan medføre risiko for brand, hvis den benyttes sammen med en anden batteripakke.
- **Brug kun maskiner med specifikt angivne batteripakker.** Brug af andre batterienheder medfører risiko for skader og brand.
- **Når batteripakken ikke anvendes, skal du holde den væk fra andre metalgenstande, såsom papir, clips, mønter, nøgler, søm, skruer eller andre små metalgenstande, der kan kortslutte polerne.** Kortslutning af batteripolerne kan forårsage forbrændinger eller brand.
- **Under ugunstige forhold kan der sprøjte væske ud fra batteriet, undgå kontakt. Hvis væsken alligevel berøres, skal der skylles med vand. Hvis du får væske i øjnene, skal du søge læge.** Væske, der siver ud fra batteriet, kan medføre irritation eller forbrænding.
- **Brug ikke en batteripakke eller en maskine, som er beskadiget eller modificeret.** Beskadigede eller modificerede batterier kan opføre sig uforudsigeligt og medføre brand, eksplosion eller risiko for personskade.
- **Udsæt ikke en batteripakke eller en maskine for brand eller høje temperaturer.** Udsættelse for brand eller temperatur over 130 °C / 265 °F kan forårsage eksplosion.
- **Følg alle opladningsinstruktioner, og oplad ikke batteripakken eller maskinen uden for det temperaturområde, der er angivet i instruktionerne.** Forkert opladning eller opladning ved temperaturer uden for det specificerede område kan beskadige batteriet og øge risikoen for brand.

Service

- **Lad kun kvalificeret fagpersonale reparere din maskine og kun med originale reservedele.** Dermed sikrer du dig, at maskinens sikkerhed bevares.
- **Der må aldrig udføres service på beskadigede batteripakker.** Service på batteripakker bør kun udføres af producenten eller autoriserede serviceudbydere.

Sikkerhedsadvarsler for løvblæser

- **Brug ikke løvblæseren i dårligt vejr, specielt ikke hvis der er risiko for lynnedslag.** Dette mindsker risikoen for at blive ramt af lynnedslag.
- **Brug øjenværn.** Passende sikkerhedsudstyr vil reducere risikoen for personskader.
- **Brug altid skridsikret og beskyttende fodtøj, når du betjener løvblæseren. Betjen ikke løvblæseren med bare fødder eller åbne sandaler.** Dette reducerer risikoen for fodskader.
- **Bær ikke løstsiddende tøj eller genstande som f.eks. tørklæder, kæder, snore osv. det kan blive trukket**

ind i luftindtagene. Bind eller dæk langt hår for at sikre, at det ikke trækkes ind i luftindtagene.

Hvis nogen af disse genstande trækkes ind i luftindtagene, kan det øge risikoen for personskade.

- **Hold omkringstående væk, mens du betjener løvbleseren.** Udslyngt snavs kan øge risikoen for personskade.
- **Ret aldrig blæsemundstykket mod personer eller kæledyr eller mod vinduer. Udvis ekstra forsigtighed, når der blæses snavs i nærheden af faste genstande som f.eks. træer, biler og mure, der kan forårsage, at snavs slynges tilbage.** Udslyngede genstande kan beskadige ejendom og øge risikoen for personskade.
- **Brug ikke løvbleseren til at blæse noget, der brænder eller ryger, f.eks. cigaretter, tændstikker eller varm aske.** Disse antændelseskilder kan øge risikoen for brand.
- **Rør ikke ved ventilatoren, mens den stadig er i bevægelse. Sluk for løvbleseren, og vent, indtil ventilatoren stopper, før du afmonterer dele, der kan give adgang til ventilatoren.** Dette reducerer risikoen for personskade som følge af bevægelige dele.
- **Når du fjerner fastsiddende materiale eller vedligeholder løvbleseren, skal du sørge for, at strømafbryderen er slukket.** Uventet start af løvbleseren, mens der fjernes fastsiddende materiale eller udføres vedligeholdelse, kan resultere i alvorlig personskade.

Generelle sikkerhedsinstruktioner



ADVARSEL: Læs følgende advarselsinstruktioner, inden du bruger produktet.

- Dette produkt er farligt, hvis det bruges forkert, eller hvis du ikke er forsigtig. Personskaade eller dødsfald kan forekomme, hvis du ikke overholder sikkerhedsinstruktionerne.
- Dette produkt danner et elektromagnetisk felt under betjening. Dette felt kan i visse tilfælde påvirke aktive eller passive medicinske implantater. For at reducere risikoen for alvorlige eller dødbringende kvæstelser anbefaler vi, at personer med medicinske implantater kontakter deres læge og producenten af det medicinske implantat, før de tager produktet i brug.
- Vær altid forsigtig, og brug din sunde fornuft. Hvis du ikke er sikker på, hvordan produktet betjenes en særlig situation: Stop, og kontakt Husqvarna-forhandleren, inden du fortsætter.
- Vær opmærksom på, at brugeren er ansvarlig for ulykker, der involverer andre personer eller disses ejendom.
- Hold produktet rent. Sørg for, at skilte og mærkater er tydeligt læsbare.
- Lad aldrig børn eller personer, der ikke kender apparatet, bruge det. Der kan være lokale regler for, hvor gammel brugeren skal være.

- Hold altid øje med personer med nedsat fysisk eller mental kapacitet, der bruger produktet. En voksen skal være til stede hele tiden.
- Brug ikke produktet, hvis du er træt, syg eller påvirket af alkohol, narkotika eller medicin. Det har en negativ virkning på synet, overblikket, koordinationssevnen og dømmekraften.
- Brug ikke produktet, hvis det er beskadiget eller ikke fungerer korrekt.
- Foretag ikke ændringer på produktet, og undlad at bruge det, hvis der er risiko for, at det er blevet ændret af andre.

Arbejdssikkerhed



ADVARSEL: Læs følgende advarselsinstruktioner, inden du bruger produktet.

- Bær personligt beskyttelsesudstyr. Se *Personligt beskyttelsesudstyr på side 52*.
- Sørg for, at du ved, hvordan du standser motoren hurtigt i nødstilfælde.
- Betjen ikke produktet i regn eller våde omgivelser. Risikoen for elektriske stød øges, hvis der trænger vand ind i produktet.
- Hold dig altid bag produktet, mens du betjener det.
- Løft aldrig produktet, når motoren er startet. Hvis du er nødt til at løfte produktet, skal du stoppe motoren og fjerne batteriet.
- Gå ikke baglæns, når du betjener produktet.
- Stands motoren, når det er nødvendigt at vippe produktet i forbindelse med transport, eller før du kører på tværs af områder uden græs, f.eks. stier lavet af grus, sten og asfalt.
- Undlad at løbe med produktet, når motoren er startet. Gå altid, når du betjener produktet.
- Vibrationerne i produktet under betjening kan være forskellige fra den angivne vibrationsværdi i *Tekniske data på side 58*. Forskellen skyldes variationer i, hvordan produktet anvendes. Hvis du bruger produktet ofte eller i længere tid ad gangen, skal du holde pauser regelmæssigt for at undgå skader som følge af vibrationer.

Sikkerhedsinstruktioner for betjening



ADVARSEL: Læs følgende advarselsinstruktioner, inden du bruger produktet.

- Når du kommer ud for en situation, som gør dig usikker med hensyn til fortsat brug, skal du spørge en ekspert til råds. Henvend dig til din forhandler eller dit serviceværksted. Undgå al brug, som du ikke synes, du er tilstrækkeligt kvalificeret til.
- Sørg for, at du kan bevæge dig og stå sikkert. Kig efter eventuelle forhindringer ved en uventet retrætte

(rødder, sten, grene, huller, grøfter osv.). Vær meget forsigtig ved arbejde i skrånende terræn.

- Sørg altid for at have god balance og sikkert fodfæste. Stræk dig ikke for langt.
- Vær altid opmærksom på advarselssignaler eller tilråb, når høreværnet bruges. Tag altid høreværnet af, så snart produktet er standset.
- Betjen ikke produktet nær åbentstående vinduer.
- Vis hensyn overfor personer i dine omgivelser ved at undgå at anvende produktet på upassende tidspunkter, for eksempel sent om aftenen eller tidligt om morgenen. Følg lokale love og forordninger.
- Anvend produktet med lavest mulige luftstrøm. Det er sjældent nødvendigt at anvende fuld luftstrøm. Mange arbejdsprocedurer kan udføres med halv luftstrøm. Mindre luftstrøm indebærer mindre støj og mindre støv. Det er også lettere at få kontrol over det affald, som skal samles sammen/flyttes.
- Under støvede forhold skal du fugte overfladen let ved brug af produktet.
- Anvend en rive eller en kost for at løse fastsiddende affald fra jorden.
- Hold blæserørets munding så tæt til jorden som muligt.
- Vær bevidst om dine omgivelser. Ret produktet bort fra mennesker, dyr, legepladser og biler osv.
- Minimer den nødvendige arbejdstid ved at fugte meget støvede områder en smule eller benytte sprøjteudstyr.
- Vær bevidst om vindretningen. Arbejd i vindens retning for at gøre arbejdet lettere.
- Stop produktet og fjern batteriet, hvis redskabet begynder at vibrere på en unormal måde.
- At anvende løvblæseren for at flytte store stakke er tidskrævende og skaber unødvendig støj.
- Ryd op efter dig. Sørg for ikke at blæse affald ind på en eller andens grund.
- Løb ikke med produktet.
- Den kraftige luftstrøm kan flytte ting med en sådan hastighed, at de kan rikoettere tilbage og medføre alvorlige øjenskader.

(Fig. 16)

- Luftstrømmen må ikke rettes mod mennesker eller dyr.
- Stands motoren, før du samler eller skiller tilbehør eller andre dele ad.
- Hold alle dele af kroppen på sikker afstand af varme overflader.
- Stil aldrig produktet ned på jorden med motoren i drift, uden at du har det under opsyn.
- Løvblæseren må ikke anvendes på stiger eller stilladser.

(Fig. 17)

- Brug aldrig produktet uden mulighed for at kunne tilkalde hjælp i tilfælde af en ulykke.

- Pas på udslængede genstande. Sten, skidt m.m. kan blive slynget op i øjnene og forårsage blindhed eller alvorlige skader.
- Anvend en fejlstrømsafbryder for øget sikkerhed, når du begynder at oplade produktet. Der er monteret en reststrømsenhed for at beskytte brugerne i tilfælde af elfejl.
- Dette produkt er kendt for sit lave vibrationsniveau. Overeksponering af vibrationer kan medføre kredsløbsforstyrrelser eller skader på nervesystemet hos personer med kredsløbsforstyrrelser. Hvis du oplever fysiske symptomer, som kan relateres til overeksponering af vibrationer, skal du straks søge læge. Eksempler på sådanne symptomer er følelseløshed, manglende følesans, kildren, stikken, smerte, manglende eller reduceret styrke i forhold til normalt, forandringer i hudens farve eller i dens overflade. Disse symptomer opleves almindeligvis i fingre, hænder eller håndled.
- Brug kun produktet til det formål, det er beregnet til.
- Det er ikke muligt at tage højde for alle de situationer, du kan tænkes at komme ud for. Udvis derfor altid forsigtighed, og brug din sunde fornuft. Undgå situationer, som du ikke synes, du er tilstrækkeligt kvalificeret til. Hvis du stadig føler dig usikker med hensyn til fremgangsmåden, efter at du har læst disse anvisninger, skal du kontakte en ekspert, før du fortsætter.
- Brug altid højre/venstre hånd til at holde produktet. Hold produktet på siden af kroppen.

(Fig. 18)

Personligt beskyttelsesudstyr



ADVARSEL: Læs følgende advarselsinstruktioner, inden du bruger produktet.

- Brug godkendt personligt beskyttelsesudstyr, når du bruger produktet. Personligt beskyttelsesudstyr udelukker ikke fuldstændigt risikoen for personskader, men det mindsker graden af skaderne i tilfælde af, at der skulle ske en ulykke. Lad forhandleren hjælpe dig med at vælge det rigtige udstyr.
 - Brug godkendt høreværn.
- (Fig. 19)
- Brug godkendt øjenværn. Hvis du bruger et ansigtsværn, skal du også bruge godkendte beskyttelsesbriller. Godkendte beskyttelsesbriller skal være i overensstemmelse med den amerikanske standard ANSI Z87.1 eller EU-standard EN 166.

(Fig. 20)

- Brug handsker, når det er nødvendigt.

(Fig. 21)

- Brug beskyttelsesstøvler med stålsnude og skridsikre såler.

(Fig. 22)

- Brug beklædning, der er lavet af et stærkt materiale. Brug altid kraftige lange bukser og lange ærmer. Brug ikke løstsiddende tøj, som kan sætte sig fast i buske og grene. Brug ikke smykker, korte bukser eller sandaler. Du må ikke gå med bare fødder. Sæt håret op i en sikker højde, dvs. over skulderen.
- Sørg for at have førstehjælpsudstyr ved hånden.

(Fig. 23)

Sikkerhedsanordninger på produktet



ADVARSEL: Læs følgende advarelsinstruktioner, inden du bruger produktet.

- I dette afsnit forklares mere om produktets sikkerhedsfunktioner og deres formål, samt hvordan kontrol og vedligeholdelse skal udføres for at sikre, at de fungerer. Se anvisningerne i afsnittet *Produktoversigt på side 48* for at se, hvor disse dele sidder på produktet.
- Produktets levetid kan forkortes og risikoen for ulykker kan øges, hvis vedligeholdelsen ikke udføres korrekt, og hvis service og/eller reparation ikke udføres fagligt korrekt. Kontakt det nærmeste serviceværksted for at få yderligere oplysninger.
- Brug aldrig et produkt med beskadiget sikkerhedsudstyr. Produktets sikkerhedsudstyr skal kontrolleres og vedligeholdes som beskrevet i dette afsnit. Klarer produktet ikke alle kontrollerne, skal du kontakte et serviceværksted for at få den repareret.
- Al service og reparation af produktet kræver specialuddannelse. Dette gælder især produktets sikkerhedsudstyr. Hvis produktet ikke klarer nogen af de nedennævnte kontroller, skal du kontakte dit serviceværksted. Ved at købe nogle af vores produkter kan du være sikker på at få en faglig korrekt reparation og service. Hvis produktet er købt et sted, som ikke er en af vores serviceydende forhandlere, skal du spørge dem efter det nærmeste serviceværksted.

Sådan kontrolleres tastaturet

1. Tryk og hold tænd/sluk-knappen (A) nede, indtil strømindikatoren (B) tændes. (Fig. 24)
2. Se *Fejlfinding på side 57*, hvis advarelsindikatoren (C) tænder eller blinker.

Sådan kontrolleres strømudløseren

- Tryk på og slip strømudløseren for at sikre, at den bevæger sig frit. (Fig. 25)

Batterisikkerhed



ADVARSEL: Læs følgende advarelsinstruktioner, inden du bruger produktet.

- Det anbefalede batteri er 40-B series. Batterierne er softwarekrypteret.
- Brug kun 40-B series batteriet, der er genopladeligt, som strømforsyning til de tilhørende Husqvarna-produkter. For at undgå personskade må batteriet ikke anvendes som strømforsyning til andre produkter.
- Risiko for elektrisk stød. Tilslut ikke batteripolerne til nøgler, skruer eller andre metalgenstande. Dette kan medføre en kortslutning af batteriet.
- Brug ikke batterier, der ikke er genopladelige.
- Sæt ikke genstande ind i batteriets luftspalte.
- Hold batteriet væk fra sollys, varme og åben ild. Batteriet kan medføre forbrændinger og/eller kemiske forbrændinger.
- Hold batteriet væk fra regn og våde omgivelser.
- Hold batteriet væk fra mikrobølger og højt tryk.
- Forsøg ikke at skille batteriet ad eller ødelægge det.
- Lad ikke batterisyre komme i kontakt med huden. Batterisyre giver hudskader, korrosion og forbrændinger. Hvis du får batterisyre i øjnene, må du ikke gnide øjnene. Sørg for at skylle dem med rigeligt vand i mindst 15 minutter. Hvis batterisyre har rørt ved din hud, skal du rense huden med store mængder vand og sæbe. Opsøg en læge.
- Brug batteriet i temperaturer mellem -10 °C (14 °F) og 40 °C (104 °F).
- Batteriet eller batteriopladeren må aldrig rengøres med vand. Se *Sådan rengøres produktet, batteriet og batteriopladeren på side 57*.
- Brug ikke et beskadiget batteri.
- Opbevar batterierne væk fra metalgenstande som f.eks. søm, skruer og smykker.
- Opbevar batteriet utilgængeligt for børn.

Batteriopladersikkerhed



ADVARSEL: Læs følgende advarelsinstruktioner, inden du bruger produktet.

- Risiko for elektrisk stød eller kortslutning, hvis sikkerhedsinstruktionerne ikke overholdes.
- Brug ikke andre batteriopladere end den, der blev leveret med dit produkt. Brug kun 40-C80 ladere når du oplader reservebatterier i 40-B serien.
- Forsøg aldrig at adskille batteriopladeren.
- Brug ikke en batterioplader, der er beskadiget eller ikke fungerer korrekt.
- Løft aldrig batteriopladeren ved hjælp af ledningen. Træk stikket ud for at afbryde batteriopladeren fra stikkontakten. Træk ikke i strømkablet.

- Hold alle kabler og forlænger kabler væk fra vand, olie og skarpe kanter. Sørg for, at ledningen ikke bliver klemt i eksempelvis døre, hegn eller lignende.
- Brug ikke batteriopladeren i nærheden af brandfarlige materialer eller materialer, der kan medføre korrosion. Sørg for, at batteriopladeren ikke er dækket. I tilfælde af røgafgivelse eller brand skal batteriopladeren afbrydes fra stikkontakten.
- Oplad kun batteriet indendørs på et sted med god ventilation og beskyttet mod direkte sollys. Batteriet må ikke oplades udendørs. Oplad ikke batteriet under våde forhold.
- Brug kun batteriopladeren ved temperaturer mellem 5 °C (41 °F) og 40 °C (104 °F). Brug opladeren i omgivelser der er tørre og fri for støv og har god luftgennemstrømning.
- Sæt ikke genstande ind i batteriopladerens luftspalter.
- Forbind aldrig batteriopladerens poler med metalgenstande, da dette kan kortslutte batteriopladeren.
- Brug godkendte stikkontakter, som ikke er beskadiget. Sørg for, at ledningen til batteriopladeren ikke er beskadiget. Hvis der bruges forlængerledninger, skal det sikres, at forlængerledningerne ikke er beskadiget.
- Ikke-genopladelige batterier må ikke oplades i batteriopladeren.
- Fjern batteriet, inden du udfører vedligeholdelse, anden kontrol eller samler produktet.
- Brugeren må kun udføre den form for vedligeholdelses- og servicearbejde, der beskrives i denne brugervejledning. Kontakt en servicetekniker i forbindelse med større vedligeholdelses- og serviceopgaver.
- Batteriet eller batteriopladeren må aldrig rengøres med vand. Stærke opløsningsmidler kan beskadige plasten.
- Hvis du ikke udfører vedligeholdelse, reduceres levetiden for produktet og risikoen for ulykker øges.
- Der kræves særlig uddannelse til al service og reparation, især for sikkerhedsanordninger på produktet. Hvis ikke alle kontroller i denne brugsanvisning er godkendt, efter du har udført vedligeholdelse, skal du kontakte din servicetekniker. Vi garanterer, at der er professionelle reparationer og vedligeholdelse til rådighed for dit produkt.
- Brug altid kun originale reservedele.

Sikkerhedsinstruktioner for vedligeholdelse



ADVARSEL: Læs følgende advarselsinstruktioner, inden du udfører vedligeholdelse på produktet.

Montering

Indledning



ADVARSEL: Læs og forstå kapitlet om sikkerhed, før du monterer produktet.

Sådan installeres mundstykket

1. Sæt mundstykket på produktets forende. (Fig. 26)
2. Skub mundstykket på plads, indtil du hører et klik.

Sådan installeres batteriopladeren 40-C80 på væggen



BEMÆRK: Brug ikke en elektrisk skruetrækker til at montere batteriopladeren på væggen. En elektrisk skruetrækker kan beskadige batteriopladeren.

1. Fastgør batteriopladeren på væggen med de 2 skruer (A). Brug rawplugs (B), hvis det er nødvendigt. (Fig. 27)
2. Fastgør de 2 rawplugs (C).
3. Tilslut strøm kablet (D) til batteriopladeren og en stikkontakt.

Indledning



ADVARSEL: Læs og forstå kapitlet om sikkerhed, før du bruger produktet.

Udfør en funktionskontrol, inden du bruger produktet

1. Kontrollér luftindtaget for snavs og revner. Brug en børste og fjern græs og blade fra produktet. Se *Sådan kontrolleres luftindtaget på side 56.*
2. Sørg for, at produktet fungerer korrekt.
3. Kontrollér alle skruer og møtrikker og sørg for, at de sidder fast.

Batteri



ADVARSEL: Inden brug af produktet skal du læse og sætte dig ind i kapitlet

LED-indikator	Batteristatus (opladningstilstand)
	40-B140
4 LED-lamper er tændt	Batteriet er opladet 76-100%.
3 LED-lamper er tændt	Batteriet er opladet 51-75%.
2 LED-lamper er tændt	Batteriet er opladet 26-50%.
1 LED-lampe er tændt	Batteriet er opladet 6-25%.
1 LED-lampe blinker	Batteriet er opladet 0-5%.

Sådan oplades batteriet

Oplad batteriet, hvis det er første gang, du bruger det. Et nyt batteri er kun 30 % opladet.



BEMÆRK: Tilslut batteriopladeren til et strømudtag med den spænding og frekvens, der fremgår af typeskiltet.

Batteriet oplades ikke, hvis batteriets temperatur er højere end 50 °C/122 °F.

1. Tilslut strømkablet til batteriopladeren.
2. Tilslut batteriopladeren til et jordet strømudtag. LED-indikator for opladning blinker en gang. (Fig. 29)
3. Tilslutning af batteriet til batteriopladeren. LED-indikator for opladning tændes. Oplad batteriet i maks. 24 timer. (Fig. 30)
4. Tryk på batteriindikatorknappen. Hvis alle LED-indikatorerne tændes, er batteriet fuldt opladet.

om sikkerhed. Du skal også læse og sætte dig ind i brugervejledningen for batteriet og batteriopladeren.

Opbevar batteriet og batteriopladeren i de korrekte omgivende temperaturer.

	Omgivelsestemperatur
Betjening af produktet	-5 °C – 40 °C / 23 °F - 104 °F
Opladning af batteriet	5 °C – 40 °C / 41 °F - 104 °F

LED-indikator for batteri

Displayet viser status for opladningstilstand, og om der er problemer med batteriet. (Fig. 28)

5. Træk stikket ud for at frakoble batteriopladeren fra strømudtaget. Træk ikke i strømkablet.
6. Fjern batteriet fra batteriopladeren.

Sådan tilsluttes batteriet til produktet



ADVARSEL: Brug kun det anbefalede Husqvarna-batteri til produktet.

1. Kontrollér, at batteriet er fuldt opladt.
2. Skub batteriet ind i batteriholderen, indtil du hører et klik. Batteriet skal kunne bevæge sig nemt. Hvis ikke, er det ikke monteret korrekt. (Fig. 31)

Sådan startes produktet

1. Tryk på startknappen, og hold den nede, indtil det grønne LED-lys tændes. (Fig. 32)
2. Anvend strømdløseren til at betjene produktet.

Sådan indstilles den optimale luftstrøm til dit arbejde

- Tryk på hastighedskontrolknappen for at indstille luftstrømmen. Der er 3 trin for luftstrømmen. (Fig. 33)

Sådan standses produktet

- Slip strømudløseren.
- Tryk på tænd/sluk-knappen, og hold den nede, indtil den grønne lysdiode slukker.

- Tryk på udløserknappen, og træk batteriet ud. (Fig. 34)

Automatisk slukkefunktion

Dette produkt har en automatisk nedlukningsmetode, der standser produktet, hvis det ikke anvendes. Den grønne LED strømindikator slukker, og produktet stopper efter 3 minutter.

Vedligeholdelse

Indledning



ADVARSEL: Inden du udfører vedligeholdelsesarbejde, skal du læse og forstå kapitlet om sikkerhed.

Vedligeholdelsesskema



ADVARSEL: Fjern batteriet, før du udfører vedligeholdelse.

Nedenfor vises en oversigt over det vedligeholdelsesarbejde, der skal udføres på produktet.

Vedligeholdelse	Hver dag	Ugentligt	Månedligt
Rengør produktet med en ren og tør klud. Brug ikke vand.	X		
Sørg for, at håndtagene er tørre og rene.	X		
Udfør en kontrol af tastaturet.	X		
Udfør en kontrol af strømudløseren.	X		
Sørg for, at møtrikker og skruer er spændt.	X		
Sørg for, at batteriet ikke er beskadiget.	X		
Udfør en kontrol af batteriets ladetilstand.	X		
Kontrollér, at udløserknapperne på batteriet ikke er beskadigede, og at de låser batteriet på plads i produktet.	X		
Sørg for, at batteriopladeren ikke er beskadiget.	X		
Sørg for, at koblingerne, tilslutningerne og kablerne er rene og uden skader.		X	
Udfør en kontrol af tilslutningerne på batteriet, batteriopladeren og produktet.			X

Sådan kontrolleres luftindtaget

- Sørg for, at der ikke er nogen blokeringer i luftindtaget. (Fig. 35)
- Standt produktet, og fjern uønsket materiale, hvis det er nødvendigt.



BEMÆRK: Et tilstoppet luftindtag reducerer produktets blæsekapacitet og øger motorens driftstemperatur. Dette

kan medføre motorfejl, fordi motoren bliver for varm.

Sådan undersøges batteriet og batteriopladeren

- Undersøg batteriet for skader, f.eks. revner.
- Undersøg batteriopladeren for skader, f.eks. revner.
- Undersøg regelmæssigt, at forbindelsesledningen til batteriopladeren er intakt, og at der ikke er revner i den.

Sådan rengøres produktet, batteriet og batteriopladeren

1. Rengør produktet med en tør klud efter brug.
2. Rengør batteriet og batteriopladeren med en tør klud. Hold batteristyreposerne rene.

3. Sørg for, at polerne på batteriet og batteriopladeren er rene, før batteriet sættes i batteriopladeren eller produktet.

Fejlfinding

Tastatur

LED-skærm	Mulige fejl	Mulige løsninger
Den røde fejl-LED blinker	Temperaturafvigelse.	Lad produktet køle ned.
	Der er snavs i batteristikkene, eller ventilatoren er blokeret.	Rengør med trykluft eller en blød børste.
	Batteriet er afladet.	Oplad batteriet.
	Batteriet er beskadiget.	Kontakt dit serviceværksted.

Batteri

LED-skærm	Mulige fejl	Mulige løsninger
Det grønne LED-lys blinker.	Lav batterispænding.	Oplad batteriet.
Fejl-LED'en blinker.	Temperaturafvigelse.	Brug batteriet ved temperaturer mellem -5 °C – 40 °C / 23 °F - 104 °F.
	For høj spænding.	Sørg for, at netspændingen er i overensstemmelse med den værdi, der står på produktets typeskilt. Fjern batteriet fra batteriopladeren.
Fejl-LED'en er tændt.	Celleforskellen er for stor (1 V).	Kontakt din serviceforhandler.

Batterioplader

LED-skærm	Mulige fejl	Mulige løsninger
LED-indikatoren for opladning lyser konstant rødt.	Batteriopladeren er beskadiget.	Kontakt din serviceforhandler.
LED-indikatoren for opladning blinker grønt.	Batteriets temperatur er uden for opladningsområdet.	Lad batteriet køle ned eller varmes op. Når batteriet har den korrekte temperatur, kan det bruges eller oplades igen. Brug batteriopladeren i omgivende temperaturer mellem 5 °C – 40 °C / 41 °F - 104 °F.

LED-skærm	Mulige fejl	Mulige løsninger
LED-indikatoren for opladning blinker rødt.	Batteriet er beskadiget.	Kontakt din serviceforhandler.

Transport, opbevaring og bortskaffelse

Transport og opbevaring

- De medfølgende li-ion-batterier overholder lovkravene vedrørende farligt gods.
- Overhold de særlige krav vedrørende emballage og etiketter til kommerciel transport, herunder tredjeparter og speditorer.
- Tal med en person med specialuddannelse i farligt materiale, før du sender produktet. Overhold alle gældende nationale bestemmelser.
- Sæt tape på åbne kontakter, når batteriet lægges i en pakke. Sørg for, at batteriet ikke kan bevæge sig i pakken.
- Fjern altid batteriet ved opbevaring eller transport.
- Sæt batteriet og batteriopladeren i et rum, der er tørt og fri for fugt og frost.
- Batteriet må ikke opbevares på steder, hvor statisk elektricitet kan forekomme. Opbevar ikke batteriet i en metalkasse.
- Opbevar batteriet ved temperaturer på mellem 5°C / 41°F and 25°C / 77°F and væk fra direkte sollys.
- Opbevar batteriopladeren ved temperaturer på mellem 5 °C/41 °F and 45°C/113°F and væk fra direkte sollys.
- Brug kun batteriopladeren, hvis den omgivende temperatur er mellem 5 °C – 40 °C / 41 °F - 104 °F.

- Oplad batteriet 30% til 50%, før du sætter det til opbevaring i længere tid.
- Opbevar produktet på steder, hvor temperaturen er mellem -40 °C og +60 °C.
- Opbevar batteriopladeren i et rum, der er lukket og tørt.
- Hold batteriet væk fra batteriopladeren under opbevaring. Lad ikke børn og andre ikke-autoriserede personer røre ved udstyret. Opbevar udstyret i et rum, der kan aflåses.
- Rengør produktet, og udfør fuld service, før du sætter produktet til opbevaring i længere tid.
- Fastspænd produktet sikkert under transporten.

Bortskaffelse af batteriet, batteriopladeren og produktet

Symbolerne på produktet eller emballagen angiver, at produktet ikke er almindeligt husholdningsaffald. Aflever det på en genbrugsstation til elektrisk og elektronisk udstyr. Dette hjælper med at forhindre skader på miljøet og på personer.

Kontakt de lokale myndigheder, dit renovationselskab eller din forhandler for at få flere oplysninger om, hvordan du genbruger dit produkt.

Tekniske data

Tekniske data

	122iB
Motor	
Motorstype	PMDC
Vægt	
Vægt uden batteri, kg	1,9
Støjemissioner, lyd niveauer , ^{10 11}	

¹⁰ Støjemissioner i miljøet målt som lydeffekt (L_{WA}) i overensstemmelse med EF-direktiv 2000/14/EF, har en typisk statistisk spredning (standardafvigelse) på 1,0 dB (A).

¹¹ Rapporterede data for ækvivalent lydtryksniveau for maskinen har en typisk statistisk spredning (standardafvigelse) på 1,3 dB (A).

	122iB
Lydeffektniveau, målt dB(A)	92,2
Lydeffektniveau, garanteret L _{WA} dB (A)	93
Ækvivalent lydtryk ved operatørens øre, målt i henhold til EN IEC 62841-4-6 og ISO 22868, dB (A):	82,8
Vibrationsniveauer ¹²	
Vibrationsniveauer i håndtag målt i henhold til EN IEC 62841-4-6, m/s ²	1,13
Blæserydelse	
Maksimal volumetrisk strømningshastighed, m ³ /h	865
Teoretisk tophastighed, m/s	53
Blæsekraft, N	11

Støj- og vibrationsdata bestemmes på grundlag af den nominelle, maksimale hastighed.

Bemærk: Den angivne samlede vibrationsværdi og de angivne værdier for støjemission er målt i henhold til en standardtestmetode og anvendes til at sammenligne værktøj.

Bemærk: Den angivne samlede vibrationsværdi og de angivne værdier for støjemission kan også anvendes i en foreløbig vurdering af eksponeringen.

Bemærk: Vibrations- og støjemissioner ved den faktiske brug af produktet kan afvige fra den angivne samlede værdi afhængigt af, hvordan produktet anvendes. Det er nødvendigt at identificere sikkerhedsforanstaltninger for at beskytte operatøren baseret på en vurdering af eksponering under de faktiske anvendelsesforhold. Medtag alle dele af driftscyklussen i estimeringen, f.eks. de tidspunkter, hvor produktet slukkes, og når det kører i tomgang ud over opstartstiden.

Godkendte batterier til produktet

Batteri	40-B140
Type	Lithiumion
Batterikapacitet, Ah	Se batteritypeskiltet
Nominal spænding, V	36
Vægt, kg	1,25

Godkendte batteriopladere

Batterioplader	40-C80
Indgangsspænding, V	100-240
Frekvens, Hz	50-60
Effekt, watt	72
Udgangsspænding, V jævnstrøm/ampere, A	43/1,6

¹² Rapporterede data for vibrationsniveau har en typisk statistisk spredning (standardafvigelse) på 1,5 m/s².

Overensstemmelseserklæring

EU-overensstemmelseserklæring

Vi, **Husqvarna AB**, SE-561 82 Huskvarna, SVERIGE,
tlf.: +46-36-146500 erklærer under eneansvar, at det
pågældende produkt:

Beskrivelse	Håndholdt batteridrevet løvblæser
Varemærke	Husqvarna
Type / model	122iB
Identifikation	Serienumrene fra 2025 og fremefter

er i overensstemmelse med følgende EU-direktiver og
-forordninger som ændret:

Regulativ	Beskrivelse
2006/42/EF	"vedrørende maskiner"
2014/30/EU	"vedrørende elektromagnetisk kompatibilitet"
2011/65/EU	"om begrænsning af anvendelsen af visse farlige stoffer i elektrisk og elektronisk udstyr"
2000/14/EF	"vedrørende støjemissioner til omgivelserne"

og at følgende standarder og/eller tekniske
specifikationer anvendes: EN 62841-1:2015/A11:2022,
EN IEC 62841-4-6:2024/A11:2024, EN IEC 63000:2018
EN IEC 55014-1:2021, EN IEC 55014-2:2021

I overensstemmelse med direktiv 2000/14/EF, bilag V,
se *Tekniske data på side 58* angående de erklærede
værdier for lyd:

Huskvarna, 2025-11-03

Claes Losdal, R&D Manager, Husqvarna AB

Ansvarlig for teknisk dokumentation



Inhalt

Einleitung.....	61	Fehlerbehebung.....	71
Sicherheit.....	62	Transport, Lagerung und Entsorgung.....	72
Montage.....	68	Technische Angaben.....	73
Betrieb.....	69	Konformitätserklärung.....	76
Instand halten.....	70		

Einleitung

Geräteübersicht

(Abb. 1)

1. Ausblasöffnung
2. Entriegelungstaste für die Ausblasöffnung
3. Tastatur
4. Gashebel
5. Handgriff
6. ON/OFF-Taste
7. Betriebsanzeige
8. Warnanzeige Fehler-LED
9. Drehzahlregelungstaste
10. Auflagen
11. Akkuanzeigetaste
12. Akkuladestatus
13. Akkuwarnanzeige
14. Akkuentriegelungstaste
15. Akku
16. Betriebs- und Warnanzeige
17. Verbinder
18. Ladegerät 40-C80
19. Bedienungsanleitung

(Abb. 5) **WARNUNG** – Achten darauf, dass sich keine umstehenden Personen in der Nähe des Geräts befinden.

(Abb. 6) Verwenden Sie das Gerät nicht bei Regen.

(Abb. 7) Etikett mit Geräuschemissionen gemäß EU-Richtlinien und Verordnungen sowie der australischen „Protection of the Environment Operations (Noise Control) Regulation 2017“ (Umweltschutz-/ Lärmschutzbestimmung) von New South Wales. Der garantierte Schallleistungspegel des Geräts ist unter *Technische Angaben auf Seite 73* und auf dem Etikett angegeben.

(Abb. 8) Das Gerät und die Verpackung des Geräts dürfen nicht über den Hausmüll entsorgt werden. Recyceln Sie es an einer Recyclingstation für elektrische und elektronische Geräte.

Produktbeschreibung

Das Husqvarna 122iB ist ein Laubblasgerät mit Elektromotor.

(Abb. 9) Dieses Gerät entspricht den geltenden CE-Richtlinien.

Bestimmungsgemäße Verwendung


Dieses Produkt ist ein zuverlässiges, benutzerfreundliches und tragbares Laubblasgerät für das Laubblasen und andere allgemeine Reinigungsarbeiten in Haus und Garten.

(Abb. 10) Nennspannung, V

(Abb. 11) Gleichstrom.

Symbole auf dem Gerät

(Abb. 2) **WARNUNG:** Dieses Gerät kann gefährlich sein und schwere oder tödliche Verletzungen des Bedieners oder anderer Personen verursachen. Gehen Sie vorsichtig vor, und verwenden Sie das Gerät ordnungsgemäß.

 Auf dem Typenschild ist die Seriennummer angegeben. **yyyy** ist das Produktionsjahr, **ww** die Produktionswoche und **xxxx** die fortlaufende Nummer.

(Abb. 3) Lesen Sie die Bedienungsanleitung aufmerksam durch und machen Sie sich mit den Anweisungen vertraut, bevor Sie das Gerät verwenden.

Hinweis: Sonstige Symbole/Aufkleber auf dem Gerät beziehen sich auf spezielle Zertifizierungsanforderungen, die in bestimmten Ländern gelten.

(Abb. 4) Tragen Sie einen zugelassenen Augenschutz.

Symbole auf dem Akku und/oder auf dem Ladegerät

(Abb. 12) Störungsfreier Transformator.

(Abb. 13) Das Akkuladegerät darf nur in geschlossenen Räumen benutzt und aufbewahrt werden.

(Abb. 14) Doppelt isoliert.

(Abb. 15)

Recyceln Sie dieses Gerät an einer Recyclingstation für elektrische und elektronische Geräte. (Gilt nur für Europa)

- das Gerät mit Teilen repariert wird, die nicht vom Hersteller stammen oder nicht vom Hersteller zugelassen sind.
- ein Zubehörteil mit dem Gerät verwendet wird, das nicht vom Hersteller stammt oder nicht vom Hersteller zugelassen ist.
- das Gerät nicht bei einem zugelassenen Service Center oder von einem zugelassenen Fachmann repariert wird.

Produktschäden

Wir haften nicht für Schäden an unserem Produkt, wenn:

- das Gerät nicht ordnungsgemäß repariert wird.

Hersteller

Husqvarna AB

Drottninggatan 2, SE-561 82 Huskvarna

Sicherheit

Sicherheitsdefinitionen

Warnungen, Vorsichtsmaßnahmen und Hinweise werden verwendet, um auf besonders wichtige Teile der Bedienungsanleitung hinzuweisen.



WARNUNG: Wird verwendet, wenn bei Nichtbeachtung der Anweisungen in diesem Handbuch die Gefahr von Verletzung oder Tod des Bedieners oder anderer Personen besteht.



ACHTUNG: Wird verwendet, wenn bei Nichtbeachtung der Anweisungen in diesem Handbuch die Gefahr von Schäden am Gerät, an anderen Materialien oder in der Umgebung besteht.

Hinweis: Für weitere Informationen, die in bestimmten Situationen nötig sind.

Allgemeine Sicherheitshinweise zum Gerät



WARNUNG: Beachten Sie alle für das Gerät vorgesehenen Sicherheitshinweise, Anleitungen, Abbildungen und technischen Daten. Wenn Sie die unten stehenden Anweisungen nicht befolgen, kann dies zu elektrischen Schlägen, Brand und/oder schweren Verletzungen führen.

Bewahren Sie alle Warnhinweise und Anweisungen für spätere Referenzzwecke auf.

Hinweis: Die Bezeichnung „Gerät“ in den Warnhinweisen bezieht sich auf ein Gerät mit

Netzbetrieb (über ein Kabel) oder Akkubetrieb (kabellos).

Sicherheit im Arbeitsbereich

- **Sorgen Sie für einen sauberen und gut ausgeleuchteten Arbeitsbereich.** Durch zugestellte oder dunkle Arbeitsbereiche steigt die Unfallgefahr stark an.
- **Betreiben Sie das Gerät niemals an Orten, an denen Explosionsgefahr besteht, z. B. in der Nähe von leicht entzündlichen Flüssigkeiten, Gasen oder Staubansammlungen.** Bei der Arbeit mit dem Gerät kann es zu Funkenbildung kommen, wodurch sich Staub oder Dämpfe entzünden können.
- **Sorgen Sie bei der Arbeit mit dem Gerät dafür, dass sich keine Kinder oder unbefugte Personen in der Nähe befinden.** Durch Ablenkungen können Sie die Kontrolle über das Werkzeug verlieren.

Elektrische Sicherheit

- **Die Netzstecker des Geräts müssen zur Steckdose passen. Der Netzstecker darf in keiner Weise verändert werden. Verwenden Sie bei Geräten mit Schutzkontakt (geerdet) niemals Adapterstecker.** Nicht modifizierte Stecker und passende Steckdosen reduzieren das Risiko eines Stromschlags.
- **Vermeiden Sie Körperkontakt mit geerdeten Gegenständen wie Rohrleitungen, Heizungen, Herden oder Kühlschränken.** Bei Körperkontakt mit geerdeten Gegenständen besteht ein erhöhtes Stromschlagrisiko.
- **Setzen Sie das Gerät weder Regen noch Feuchtigkeit aus.** Wenn Wasser in das Gerät eindringt, erhöht sich das Stromschlagrisiko.
- **Verwenden Sie das Anschlusskabel nicht missbräuchlich. Verwenden Sie das Anschlusskabel niemals zum Tragen oder Heranziehen des Geräts, und ziehen Sie den Stecker nicht am Anschlusskabel aus der Steckdose. Halten Sie das Kabel fern von Hitzequellen, Öl, scharfen Kanten**

und beweglichen Teilen. Beschädigte oder verdrehte Anschlusskabel erhöhen das Stromschlagrisiko.

- **Wenn Sie das Gerät im Freien benutzen, verwenden Sie ein für den Außeneinsatz geeignetes Verlängerungskabel.** Die Verwendung eines für den Außeneinsatz geeigneten Kabels verringert das Risiko eines Stromschlags.
- **Falls der Einsatz des Geräts in einer feuchten Umgebung nicht zu vermeiden ist, benutzen Sie eine Stromversorgung mit FI-Schutzschalter (RCD).** Die Verwendung einer Fehlerstrom-Schutzeinrichtung (RCD) verringert das Risiko eines elektrischen Schlags.

Persönliche Sicherheit

- **Bleiben Sie aufmerksam, achten Sie auf das, was Sie tun, und setzen Sie Ihren gesunden Menschenverstand ein, wenn Sie mit dem Gerät arbeiten.** Verwenden Sie das Gerät nicht, wenn Sie müde sind oder unter dem Einfluss von Drogen, Alkohol oder Medikamenten stehen. Bei der Arbeit mit dem Gerät können bereits kurze Phasen der Unaufmerksamkeit zu schweren Verletzungen führen.
- **Tragen Sie eine persönliche Schutzausrüstung. Tragen Sie stets einen Augenschutz.** Schutzausrüstung wie Atemschutzmaske, rutschsichere Sicherheitsschuhe, Schutzhelm und Gehörschutz senkt bei angemessenem Einsatz das Verletzungsrisiko.
- **Vermeiden Sie ein versehentliches Starten. Achten Sie darauf, dass der Schalter auf OFF steht, bevor Sie das Gerät an eine Stromquelle und/oder einen Akku anschließen, es hochheben oder tragen.** Durch Herumtragen des Geräts mit dem Finger am Schalter bzw. das Einstecken des Steckers bei betätigtem Schalter erhöht sich das Unfallrisiko.
- **Entfernen Sie sämtliche Einstellschlüssel, bevor Sie das Gerät einschalten.** Ein an einem beweglichen Teil des Geräts angebrachter Schlüssel kann zu Verletzungen führen.
- **Sorgen Sie für einen festen Stand. Achten Sie jederzeit darauf, sicher zu stehen und das Gleichgewicht zu bewahren.** Dadurch haben Sie das Gerät in unerwarteten Situationen besser im Griff.
- **Kleiden Sie sich richtig. Tragen Sie niemals lose sitzende Kleidung oder Schmuck. Halten Sie Haar und Kleidung von beweglichen Teilen fern.** Lose sitzende Kleidung, Schmuck oder langes Haar kann von beweglichen Teilen erfasst werden.
- **Wenn Anschlüsse für Staubabsaug- und Staubsammelvorrichtungen vorhanden sind, sorgen Sie dafür, dass diese richtig angeschlossen und eingesetzt werden.** Die Verwendung von Staubsammelvorrichtungen vermindert durch Staub verursachte Gefahren.
- **Lassen Sie nicht zu, dass Sie wegen Vertrautheit durch häufige Verwendung der Werkzeuge selbstgefällig werden und die Sicherheitsgrundsätze der Werkzeuge ignorieren.** Eine achtlose Handlung

kann im Bruchteil einer Sekunde zu schweren Verletzungen führen.

Nutzung und Pflege des Geräts

- **Überbeanspruchen Sie das Gerät nicht. Beschränken Sie sich für Ihren Einsatz auf das korrekte Gerät.** Das korrekte Gerät wird die Aufgabe besser und sicherer ausführen mit der Leistung, für die es ausgelegt ist.
- **Benutzen Sie das Gerät nicht, wenn es sich nicht am Schalter ein- und ausschalten lässt.** Jedes Gerät, das nicht mit dem Schalter betätigt werden kann, stellt eine Gefahr dar und muss repariert werden.
- **Trennen Sie das Gerät von der Stromversorgung bzw. entfernen Sie den Akku, bevor Sie Einstellungen vornehmen, Zubehörtteile austauschen oder das Gerät verstauen.** Mit diesen Präventivmaßnahmen reduzieren Sie das Risiko eines versehentlichen unkontrollierten Starts des Gerätes.
- **Lagern Sie nicht benutzte Geräte außerhalb der Reichweite von Kindern, und lassen Sie nicht zu, dass Personen das Gerät bedienen, die nicht mit dem Gerät selbst und/oder diesen Anweisungen vertraut sind.** Die Geräte stellen in ungeschulten Händen eine Gefahr dar.
- **Pflegen Sie das Gerät und das Zubehör. Prüfen Sie, ob bewegliche Teile falsch eingestellt sind oder klemmen, ob Teile gebrochen oder so weit beschädigt sind, dass der Betrieb des Geräts beeinträchtigt werden kann. Bei Beschädigungen lassen Sie das Gerät reparieren, bevor Sie es benutzen.** Viele Unfälle sind auf schlechte Geräterwartung zurückzuführen.
- **Halten Sie Schneidwerkzeuge scharf und sauber.** Ordnungsgemäß gewartete Schneidwerkzeuge mit scharfen Schnittkanten bleiben seltener hängen und sind einfacher zu bedienen.
- **Benutzen Sie Gerät, Zubehör, Aufsätze und Ähnliches in Übereinstimmung mit diesen Anweisungen und auf die für das jeweilige Elektrowerkzeug bestimmungsgemäße Weise und beachten Sie dabei die jeweiligen Arbeitsbedingungen und die Art der auszuführenden Arbeiten.** Der Einsatz des Geräts für bestimmungswidrige Zwecke kann zu Gefahrensituationen führen.
- **Halten Sie die Handgriffe und Griffflächen trocken, sauber und frei von Öl und Fett.** Wenn Handgriffe und Griffflächen rutschig sind, kann das Werkzeug in unerwarteten Situationen nicht sicher bedient und kontrolliert werden.

Verwendung und Pflege von akkubetriebenen Geräten

- **Eine Aufladung darf nur mit dem vom Hersteller vorgeschriebenen Ladegerät durchgeführt werden.** Durch ein für einen bestimmten Akkutyp geeignetes Ladegerät kann Brandgefahr entstehen, wenn es für einen anderen Akku verwendet wird.

- **Verwenden Sie Geräte nur mit speziell für sie ausgezeichneten Akkus.** Die Verwendung anderer Akkus kann zu Verletzungs- und Brandgefahr führen.
- **Wird der Akku nicht verwendet, halten Sie ihn von Metallgegenständen wie Büroklammern, Münzen, Schlüsseln, Nägeln, Schrauben oder anderen kleineren Metallobjekten fern, da es zu einer Überbrückung der Kontakte kommen könnte.** Durch Kurzschluss der Akkuklemmen kann es zu Verbrennungen oder Bränden kommen.
- **Unter missbräuchlichen Bedingungen kann Flüssigkeit aus dem Akku austreten; vermeiden Sie Kontakt damit. Bei versehentlichem Hautkontakt sofort mit Wasser abspülen. Sollten Ihre Augen damit in Berührung gekommen sein, suchen Sie sofort ärztliche Hilfe auf.** Durch austretende Flüssigkeit aus dem Akku kann es zu Reizungen oder Verbrennungen kommen.
- **Verwenden Sie keinen Akku und kein Gerät, der bzw. das defekt ist oder modifiziert wurde.** Beschädigte oder modifizierte Akkus können ein unvorhersehbares Verhalten aufweisen, welches zu Feuer, Explosionen oder Verletzungsgefahren führen kann.
- **Setzen Sie Akku oder Gerät niemals Feuer oder sehr hohen Temperaturen aus.** Feuer oder Temperaturen über 130 °C (265 °F) können zu einer Explosion führen.
- **Befolgen Sie die Ladeanweisungen und laden Sie den Akku oder das Gerät niemals bei Temperaturen außerhalb des in der Anleitung angegebenen Temperaturbereichs auf.** Unsachgemäßes Aufladen oder Aufladen bei Temperaturen außerhalb des angegebenen Bereichs kann den Akku beschädigen und die Brandgefahr erhöhen.

Service

- **Lassen Sie Ihre Maschine von einem qualifizierten Fachmann reparieren und bestehen Sie darauf, dass nur Originalersatzteile dazu verwendet werden.** Dies trägt dazu bei, die Sicherheit der Maschine zu bewahren.
- **Warten Sie niemals beschädigte Akkus.** Akkus dürfen nur vom Hersteller oder von autorisierten Serviceanbietern gewartet werden.

Sicherheitswarnhinweise für das Laubblasgerät

- **Verwenden Sie das Laubblasgerät nicht bei schlechten Wetterverhältnissen, insbesondere dann nicht, wenn Blitzschlaggefahr besteht.** Dadurch wird die Gefahr eines Blitzschlags reduziert.
- **Tragen Sie einen Augenschutz.** Eine geeignete Schutzausrüstung verringert das Risiko von Verletzungen.
- **Tragen Sie beim Betrieb des Laubblasgeräts stets rutschfeste Sicherheitsschuhe. Bedienen Sie**

das Laubblasgerät nicht barfuß oder mit offenen Sandalen. Dadurch wird die Verletzungsgefahr für die Füße reduziert.

- **Tragen Sie keine lose sitzende Kleidung oder Schals, Schnüre, Ketten, Krawatten usw., die in die Lufterlässe gesaugt werden könnten. Lange Haare müssen zusammengebunden oder bedeckt werden, damit sie nicht in die Lufterlässe gesaugt werden.** Wenn eines dieser Elemente in die Lufterlässe gesogen wird, kann dies das Verletzungsrisiko erhöhen.
- **Achten Sie beim Betrieb des Laubblasgeräts darauf, dass sich keine umstehenden Personen in Ihrer Nähe befinden. Umherfliegende Blätter und aufgewirbelter Schmutz können das Risiko von Verletzungen erhöhen.**
- **Richten Sie die Ausblasöffnung niemals auf Personen, Haustiere oder Fenster. Seien Sie besonders vorsichtig beim Blasen von Laub und Schmutz in der Nähe von festen Gegenständen wie Bäumen, Fahrzeugen und Wänden, an denen Laub und Schmutz zurückprallen könnten.** Durch aufgewirbelte Gegenstände kann Eigentum beschädigt und das Risiko von Verletzungen erhöht werden.
- **Nehmen Sie mit dem Laubblasgerät keine brennenden oder rauchenden Gegenstände oder Substanzen wie Zigaretten, Streichhölzer oder heiße Asche auf.** Diese Zündquellen können zu einem erhöhten Brandrisiko führen.
- **Berühren Sie den Gebläserotor nicht, während er sich noch bewegt. Schalten Sie das Laubblasgerät aus, und warten Sie, bis der Gebläserotor zum Stillstand kommt, bevor Sie Teile entfernen, die den Gebläserotor freilegen könnten.** So reduzieren Sie die Verletzungsgefahr durch bewegliche Teile.
- **Achten Sie beim Entfernen von eingeklemmten Material oder bei der Wartung des Laubblasgeräts sicher, dass der Netzschalter ausgeschaltet ist.** Eine unerwartete Betätigung des Laubblasgeräts beim Entfernen von eingeklemmten Material oder bei der Wartung kann zu schweren Verletzungen führen.

Allgemeine Sicherheitshinweise



WARNUNG: Lesen Sie die folgenden Warnhinweise, bevor Sie das Gerät verwenden.

- Dieses Gerät ist gefährlich, wenn es falsch bedient wird oder Sie unvorsichtig sind. Wenn die Sicherheitshinweise nicht befolgt werden, kann dies zu Verletzungen oder zum Tod führen.
- Dieses Gerät erzeugt beim Betrieb ein elektromagnetisches Feld. Dieses Feld kann sich unter bestimmten Bedingungen auf die Funktionsweise aktiver oder passiver medizinischer Implantate auswirken. Um die Gefahr von Situationen, die zu schweren oder tödlichen Verletzungen führen können, auszuschließen,

sollten Personen mit einem medizinischen Implantat vor der Nutzung dieses Geräts ihren Arzt und den Hersteller des Implantats konsultieren.

- Lassen Sie immer Vorsicht walten, und arbeiten Sie mit gesundem Menschenverstand. Wenn Sie sich nicht sicher sind, wie das Gerät in einer bestimmten Situation zu bedienen ist, unterbrechen Sie die Arbeit und wenden sich an Ihren Husqvarna-Händler, bevor Sie fortfahren.
- Denken Sie daran, dass der Bediener für Unfälle mit anderen Personen oder deren Eigentum verantwortlich ist.
- Halten Sie das Gerät sauber. Stellen Sie sicher, dass Symbole und Aufkleber deutlich lesbar sind.
- Verhindern Sie, dass Kinder oder Personen, die mit den Anweisungen nicht vertraut sind, das Gerät benutzen. Unter Umständen gelten gesetzlich vorgeschriebene Altersbeschränkungen für den Bediener.
- Stellen Sie sicher, dass Personen mit verminderter physischer oder psychischer Leistungsfähigkeit dieses Gerät nicht unbeaufsichtigt verwenden. Es muss immer ein verantwortlicher Erwachsener anwesend sein.
- Verwenden Sie das Gerät nicht, wenn Sie müde oder krank sind oder unter Einfluss von Alkohol, Drogen oder Medikamenten stehen. Dies wirkt sich negativ auf Ihre Sehkraft, Ihre Aufmerksamkeit sowie Ihr Koordinations- und Urteilsvermögen aus.
- Verwenden Sie das Gerät nicht, wenn es beschädigt ist oder nicht ordnungsgemäß funktioniert.
- Verändern oder verwenden Sie dieses Gerät nicht, wenn die Möglichkeit besteht, dass es durch Dritte verändert wurde.

Arbeitssicherheit



WARNUNG: Lesen Sie die folgenden Warnhinweise, bevor Sie das Gerät verwenden.

- Tragen Sie eine persönliche Schutzausrüstung. Siehe *Persönliche Schutzausrüstung auf Seite 66*.
- Stellen Sie sicher, dass Sie wissen, wie der Motor in einem Notfall schnell gestoppt werden kann.
- Verwenden Sie das Gerät nicht im Regen oder in feuchter Umgebung. Das Risiko eines elektrischen Schlags wird erhöht, wenn Wasser in das Gerät eindringt.
- Bleiben Sie immer hinter dem Gerät, wenn Sie es betreiben.
- Heben Sie das Gerät nicht hoch, wenn der Motor läuft. Wenn Sie das Gerät anheben müssen, stoppen Sie den Motor und nehmen Sie den Akku heraus.
- Gehen Sie nicht rückwärts, wenn Sie das Gerät betreiben.
- Stellen Sie den Motor ab, wenn das Gerät für den Transport gekippt oder auf grasfreien Flächen (z. B.

Kies-, Pflaster- oder Asphaltwege) bewegt werden soll.

- Rennen Sie nicht mit dem Gerät, wenn der Motor läuft. Gehen Sie immer, wenn Sie das Gerät benutzen.
- Die Vibrationen des Geräts im Betrieb können abweichen vom angegebenen Vibrationswert in *Technische Angaben auf Seite 73*. Diese Abweichung entsteht durch die verschiedenen Nutzungsweisen des Geräts. Wenn Sie das Gerät häufig oder über längere Zeit betreiben, legen Sie regelmäßig Pausen ein, um Verletzungen durch Vibrationen zu vermeiden.

Sicherheitshinweise für den Betrieb



WARNUNG: Lesen Sie die folgenden Warnhinweise, bevor Sie das Gerät verwenden.

- Wenn Sie in eine Situation kommen, die Sie in Bezug auf die weitere Anwendung des Geräts verunsichert, lassen Sie sich von einem Experten beraten. Wenden Sie sich an Ihren Händler oder Ihre Servicewerkstatt. Führen Sie keine Arbeiten aus, mit denen Sie überfordert sind.
- Vergewissern Sie sich, dass Sie sicher gehen und stehen können. Achten Sie auf eventuelle Hindernisse (Wurzeln, Steine, Äste, Löcher, Gräben usw.), wenn Sie unvermittelt Ihren Standort wechseln. Beim Arbeiten auf abschüssigem Boden müssen Sie immer sehr vorsichtig sein.
- Nehmen Sie stets eine sichere Arbeitsstellung mit festem Stand ein. Sorgen Sie für einen festen Stand.
- Achten Sie immer genau auf Warnsignale oder Rufe, wenn Sie den Gehörschutz tragen. Nehmen Sie den Gehörschutz immer ab, sobald das Gerät abgestellt ist.
- Verwenden Sie das Gerät niemals in der Nähe offener Fenster.
- Nehmen Sie Rücksicht auf Menschen in Ihrer Umgebung: Vermeiden Sie es, das Gerät zu unpassenden Zeiten zu verwenden, z. B. am späten Abend oder am frühen Morgen. Befolgen Sie die örtlichen Vorschriften und Verordnungen.
- Verwenden Sie das Gerät mit einem möglichst geringen Luftstrahl. Es ist nur selten notwendig, mit vollem Luftstrahl zu arbeiten. Viele Arbeiten können mit halbem Luftstrahl ausgeführt werden. Ein geringerer Luftstrahl macht nicht nur weniger Lärm, es wird auch weniger Staub aufgewirbelt. Zudem haben Sie eine bessere Kontrolle über das Material, das zusammen- oder weggeblasen werden soll.
- Befeuchten Sie die Oberfläche, wenn Sie das Gerät bei staubigen Bedingungen verwenden.
- Lösen Sie am Boden festsitzenden Unrat mit Hilfe einer Harke oder eines Besens.
- Halten Sie die Ausblasöffnung so nah wie möglich am Boden.

- Behalten Sie Ihre Umgebung im Blick. Richten Sie das Gerät immer von Menschen, Tieren, Spielplätzen, Autos usw. weg.
- Verringern Sie die Blaszeit durch leichtes Befeuchten staubiger Bereiche oder die Verwendung von Sprühvorrichtungen.
- Achten Sie auf die Windrichtung. Es ist einfacher, mit dem Wind zu arbeiten.
- Stoppen Sie das Gerät und entfernen Sie den Akku, wenn das Gerät ungewöhnlich stark vibriert.
- Das Laubblasgerät sollte nicht zum Verlagern großer Laubhaufen benutzt werden, da dies sehr zeitaufwendig ist und unnötigen Lärm verursacht.
- Hinterlassen Sie Ihren Arbeitsbereich sauber. Vergewissern Sie sich, dass Sie keinen Unrat auf fremde Grundstücke geblasen haben.
- Laufen Sie nicht mit dem Gerät.
- Durch den starken Luftstrahl können Fremdkörper mit einer solchen Geschwindigkeit weggeblasen werden, dass sie zurückprallen und schwere Augenverletzungen hervorrufen.

(Abb. 16)

- Richten Sie den Luftstrahl niemals auf Menschen oder Tiere.
- Stellen Sie den Motor ab, bevor Sie Zubehörteile oder andere Komponenten an- oder abmontieren.
- Halten Sie alle Körperteile von heißen Oberflächen fern.
- Stellen Sie das Gerät niemals im aktivierten Zustand unbeaufsichtigt ab.
- Das Laubblasgerät darf nicht auf Leitern oder Gerüsten benutzt werden.

(Abb. 17)

- Sie dürfen das Gerät niemals verwenden, wenn nicht die Möglichkeit besteht, bei einem Unfall Hilfe herbeizurufen.
- Achten Sie auf hochgeschleuderte Gegenstände. Hochgeschleuderte Steine, Unrat usw. können die Augen treffen und Blindheit oder schwere Verletzungen verursachen.
- Verwenden Sie beim Laden des Geräts einen Fehlerstromschutzschalter (RCI), um die Sicherheit zu erhöhen. Ein Fehlerstromgerät wurde zum Schutz des Bedienungspersonals angebracht, falls es zu einem elektrischen Fehler kommen sollte.
- Dieses Gerät ist äußerst vibrationsarm. Personen mit Kreislaufstörungen, die zu oft Vibrationen ausgesetzt werden, laufen Gefahr, Schäden an den Blutgefäßen oder am Nervensystem davonzutragen. Gehen Sie zum Arzt, wenn Sie Symptome feststellen, die darauf hinweisen, dass Sie übermäßigen Vibrationen ausgesetzt waren. Beispiele für solche Symptome sind: Einschlafen von Körperteilen, Gefühlsverlust, Jucken, Stechen, Schmerzen, Verlust oder Beeinträchtigung der normalen Körperkraft, Veränderungen der Hautfarbe oder der Haut. Diese Symptome treten üblicherweise in Fingern, Händen und Handgelenken auf.

- Verwenden Sie das Gerät nur für solche Arbeiten, für die es vorgesehen ist.
- Es ist unmöglich, hier alle denkbaren Situationen zu beschreiben. Gehen Sie stets vorsichtig vor und arbeiten Sie mit gesundem Menschenverstand. Vermeiden Sie Situationen, denen Sie sich nicht gewachsen fühlen. Wenn Sie sich nach dem Lesen dieser Anweisungen immer noch unsicher fühlen, wie Sie vorgehen sollen, bitten Sie einen Fachmann um Rat, bevor Sie fortfahren.
- Halten Sie das Gerät immer mit beiden Händen fest. Halten Sie das Gerät an der Seite des Körpers.

(Abb. 18)

Persönliche Schutzausrüstung



WARNUNG: Lesen Sie die folgenden Warnhinweise, bevor Sie das Gerät verwenden.

- Verwenden Sie stets die vorgeschriebene persönliche Schutzausrüstung bei der Benutzung des Geräts. Die persönliche Schutzausrüstung kann Verletzungen nicht vollständig vermeiden, vermindert aber den Umfang der Verletzungen und Schäden bei einem Unfall. Lassen Sie sich von Ihrem Händler bei der Auswahl der richtigen Ausrüstung unterstützen.
- Tragen Sie einen zugelassenen Gehörschutz.

(Abb. 19)

- Tragen Sie einen zugelassenen Augenschutz. Bei der Benutzung eines Visiers ist außerdem eine zugelassene Schutzbrille zu tragen. Zugelassene Schutzbrillen müssen die Normen ANSI Z87.1 für die USA bzw. EN 166 für EU-Länder erfüllen.

(Abb. 20)

- Verwenden Sie Handschuhe, falls notwendig.

(Abb. 21)

- Tragen Sie Schutzstiefel mit Stahlkappen und rutschfesten Sohlen.

(Abb. 22)

- Tragen Sie Kleidung aus reißfestem Material. Tragen Sie stets lange Hosen aus schwerem Stoff und lange Ärmel. Tragen Sie keine weite Kleidung, die sich leicht an Ästen und Zweigen verfangen könnte. Tragen Sie keinen Schmuck, kurze Hosen oder Sandalen. Gehen Sie nicht barfuß. Binden Sie Ihre Haare sicherheitshalber zusammen, sodass sie nicht über Ihre Schultern fallen.
- Halten Sie eine Erste-Hilfe-Ausrüstung und einen Feuerlöscher griffbereit.

(Abb. 23)

Sicherheitsvorrichtungen am Gerät



WARNUNG: Lesen Sie die folgenden Warnhinweise, bevor Sie das Gerät verwenden.

- In diesem Abschnitt werden einzelnen Teile der Sicherheitsausrüstung des Gerätes beschrieben, welche Funktion sie haben und wie ihre Kontrolle und Wartung ausgeführt werden sollen, um sicherzustellen, dass sie funktionsfähig sind. Die Einbaulage dieser Komponenten ist unter der Überschrift *Geräteübersicht auf Seite 61* gelistet.
- Die Lebensdauer des Geräts kann verkürzt werden und die Unfallgefahr kann steigen, wenn die Wartung des Geräts nicht ordnungsgemäß und Service und/oder Reparaturen nicht fachmännisch ausgeführt werden. Wenden Sie sich für weitere Informationen an Ihre Vertragswerkstatt.
- Benutzen Sie kein Gerät mit defekten Sicherheitsvorrichtungen. Die Sicherheitsausrüstung des Gerätes muss so kontrolliert und gewartet werden, wie dies in diesem Abschnitt beschrieben wird. Wenn Ihr Gerät diesen Anforderungen nicht entspricht, muss eine Servicewerkstatt aufgesucht werden.
- Service und Reparatur des Geräts erfordern eine Spezialausbildung. Dies gilt besonders für die Sicherheitsausrüstung des Geräts. Wenn Ihr Gerät den unten aufgeführten Kontrollanforderungen nicht entspricht, müssen Sie Ihre Servicewerkstatt aufsuchen. Beim Kauf eines unserer Geräte wird gewährleistet, dass Reparatur- oder Servicearbeiten fachmännisch ausgeführt werden. Sollte der Verkäufer Ihres Geräts nicht an unser Fachhändler-Service-Netz angeschlossen sein, fragen Sie nach unserer nächstgelegenen Servicewerkstatt.

So prüfen Sie die Tastatur

1. Halten Sie die ON/OFF-Taste (A) gedrückt, bis die Betriebsanzeige (B) aufleuchtet. (Abb. 24)
2. Lesen Sie *Fehlerbehebung auf Seite 71*, wenn die Warnanzeige (C) leuchtet oder blinkt.

So prüfen Sie den Gashebel

- Drücken und lösen Sie kurz den Gashebel, um sicherzustellen, dass er sich frei bewegen lässt. (Abb. 25)

Sicherer Umgang mit Batterien



WARNUNG: Lesen Sie die folgenden Warnhinweise, bevor Sie das Gerät verwenden.

- Der empfohlene Akku ist ein 40-B series-Akku. Die Akkus verfügen über eine Softwareverschlüsselung.
- Verwenden Sie als Stromversorgung für die zugehörigen Husqvarna Geräte nur

den wiederaufladbaren 40-B series-Akku. Um Verletzungen zu vermeiden, verwenden Sie den Akku nicht zur Energieversorgung anderer Geräte.

- Es besteht die Gefahr von elektrischen Schlägen. Verbinden Sie die Akkuklemmen nicht mit Schlüsseln, Schrauben oder anderen metallischen Gegenständen. Dadurch kann es zu einem Kurzschluss des Akkus kommen.
- Benutzen Sie keine Akkus, die nicht wiederaufladbar sind.
- Legen Sie keine Gegenstände in die Luftschlitze des Akkus.
- Halten Sie den Akku von direkter Sonneneinstrahlung, Hitze oder offenem Feuer fern. Der Akku kann Verbrennungen und/oder chemische Verätzungen verursachen.
- Halten Sie den Akku von Regen und Feuchtigkeit fern.
- Halten Sie den Akku von Mikrowellen und hohem Druck fern.
- Versuchen Sie nicht, den Akku zu zerlegen oder aufzubrechen.
- Vermeiden Sie Hautkontakt mit Batteriesäure. Batteriesäure verursacht Hautverletzungen, Korrosion und Verbrennungen. Sollte Batteriesäure in Ihre Augen gelangen, reiben Sie diese nicht, sondern spülen Sie sie mindestens 15 Minuten lang mit reichlich Wasser aus. Falls Ihre Haut mit Batteriesäure in Kontakt gekommen ist, reinigen Sie sie mit reichlich Wasser und Seife. Suchen Sie einen Arzt auf.
- Der Akku darf nur bei Temperaturen zwischen -10 °C (14 °F) und 40 °C (104 °F) verwendet werden.
- Reinigen Sie weder den Akku noch das Ladegerät mit Wasser. Siehe *So reinigen Sie das Gerät, den Akku und das Ladegerät auf Seite 71*.
- Verwenden Sie keinen beschädigten Akku.
- Lagern Sie Akkus getrennt von Metallgegenständen wie Nägeln, Schrauben oder Schmuck.
- Halten Sie den Akku fern von Kindern.

Sicherer Umgang mit dem Ladegerät



WARNUNG: Lesen Sie die folgenden Warnhinweise, bevor Sie das Gerät verwenden.

- Gefahr von elektrischen Schlägen oder Kurzschluss, wenn die Sicherheitshinweise nicht beachtet werden.
- Verwenden Sie nur das mitgelieferte Ladegerät für Ihr Gerät. Verwenden Sie zum Laden von Ersatzakkus der Serie 40-B ausschließlich 40-C80 Ladegeräte.
- Das Ladegerät nicht zerlegen.
- Verwenden Sie kein Ladegerät, das beschädigt ist oder nicht ordnungsgemäß funktioniert.
- Heben Sie das Ladegerät nicht am Netzkabel an. Um das Ladegerät von der Steckdose zu trennen,

ziehen Sie am Netzstecker. Ziehen Sie nicht am Netzkabel.

- Achten Sie darauf, dass keines der Kabel und Verlängerungskabel mit Wasser, Öl oder scharfen Kanten in Berührung kommt. Achten Sie darauf, dass Kabel nicht zwischen Objekten, z. B. Türen, Zäunen o. Ä., eingeklemmt werden.
- Das Ladegerät darf nicht in der Nähe von entflammenden Materialien oder Materialien, die Korrosion verursachen können, verwendet werden. Vergewissern Sie sich, dass das Ladegerät nicht abgedeckt ist. Bei Rauchentwicklung oder Feuer muss der Stecker des Ladegeräts sofort aus der Steckdose gezogen werden.
- Laden Sie den Akku nur in geschlossenen Räumen an einem Ort mit guter Luftzirkulation und ohne direkte Sonneneinstrahlung. Laden Sie den Akku nicht im Freien. Auf keinen Fall Akkus in feuchter Umgebung laden.
- Verwenden Sie das Ladegerät nur bei mit einer Temperatur zwischen 5 °C (41 °F) und 40 °C (104 °F). Verwenden Sie das Ladegerät nur in einer gut belüfteten, trockenen und staubfreien Umgebung.
- Legen Sie keine Gegenstände in die Kühlschlitze des Ladegeräts.
- Verbinden Sie die Anschlüsse des Ladegeräts niemals mit Metallgegenständen. Dies kann zu einem Kurzschluss im Ladegerät führen.
- Nutzen Sie zugelassene Steckdosen, die nicht beschädigt sind. Stellen Sie sicher, dass das Netzkabel des Ladegeräts nicht beschädigt ist. Wenn Verlängerungskabel verwendet werden, stellen Sie sicher, dass diese nicht beschädigt sind.

- Setzen Sie keine nicht wiederaufladbaren Akkus in das Ladegerät ein.

Sicherheitshinweise für die Wartung



WARNUNG: Lesen Sie die folgenden Warnhinweise, bevor Sie das Gerät warten.

- Entfernen Sie vor Wartungs-, Kontroll- oder Montagearbeiten den Akku.
- Der Bediener darf nur die Wartungs- und Servicearbeiten ausführen, die in dieser Bedienungsanleitung beschrieben sind. Für darüber hinausgehende Wartungs- und Servicearbeiten wenden Sie sich bitte an Ihren Servicehändler.
- Reinigen Sie weder den Akku noch das Ladegerät mit Wasser. Starke Reiniger können den Kunststoff beschädigen.
- Wenn Wartungsarbeiten nicht durchgeführt werden, verringert sich die Lebensdauer des Geräts und die Unfallgefahr steigt.
- Für alle Service- und Reparaturarbeiten, insbesondere an den Sicherheitsvorrichtungen des Geräts, ist eine spezielle Schulung erforderlich. Wenn nach Durchführung der Wartungsarbeiten nicht alle in dieser Bedienungsanleitung beschriebenen Prüfungen mit positivem Ergebnis ausfallen, wenden Sie sich an Ihren Servicehändler. Wir garantieren Ihnen, dass für Ihr Gerät professionelle Service- und Reparaturdienste verfügbar sind.
- Nur Original-Ersatzteile verwenden.

Montage

Einleitung



WARNUNG: Lesen Sie vor der Montage des Geräts das Kapitel über Sicherheit, und machen Sie sich damit vertraut.

So wird die Düse installiert

1. Stecken Sie die Düse auf das vordere Ende des Geräts. (Abb. 26)
2. Drücken Sie die Düse ein, bis ein Klicken zu hören ist.

So installieren Sie das Ladegerät (40-C80) an der Wand



ACHTUNG: Verwenden Sie keinen Akkuschrauber, um das Ladegerät an der Wand zu installieren. Ein Akkuschrauber kann das Ladegerät beschädigen.

1. Befestigen Sie das Ladegerät mit den 2 Schrauben (A) an der Wand. Verwenden Sie bei Bedarf Dübel (B). (Abb. 27)
2. Setzen Sie die beiden Bohrlochstopfen (C) ein.
3. Schließen Sie das Netzkabel (D) an das Ladegerät und an eine Steckdose an.

Betrieb

Einleitung



WARNUNG: Lesen Sie vor Gebrauch des Geräts das Kapitel über Sicherheit, und machen Sie sich damit vertraut.

Sicherheitsinformationen lesen und verstehen. Sie müssen außerdem Bedienungsanleitung für den Akku und das Ladegerät lesen und verstehen.

So führen Sie eine Funktionsprüfung vor Verwendung des Geräts durch

1. Kontrollieren Sie den Lufteinlass auf Verschmutzung und Risse. Entfernen Sie mit einem Pinsel Gras und Blätter aus dem Gerät. Siehe *So prüfen Sie den Lufteinlass auf Seite 71*.
2. Vergewissern Sie sich, dass das Gerät ordnungsgemäß funktioniert.
3. Prüfen Sie alle Muttern und Schrauben und stellen Sie sicher, dass sie angezogen sind.

Sorgen Sie für die richtigen Umgebungstemperaturen von Akku und Ladegerät.

	Umgebungstemperatur
Betrieb des Geräts	-5 °C – 40 °C / 23 °F - 104 °F
Laden des Akkus	5 °C – 40 °C / 41 °F - 104 °F

Akku



WARNUNG: Vor dem Betrieb des Akkus müssen Sie die

Akku-LED-Anzeige

Auf dem Display werden der Ladezustand und eventuelle Störungen des Akkus angezeigt. (Abb. 28)

LED-Anzeigelampe	Akkustatus (Ladezustand)
	40-B140
4 LEDs leuchten	Der Akku ist zu 76 % - 100 % geladen.
3 LEDs leuchten	Der Akku ist zu 51 % - 75 % geladen.
2 LEDs leuchten	Der Akku ist zu 26 % - 50 % geladen.
1 LED leuchtet	Der Akku ist zu 6 % - 25 % geladen.
1 LED blinkt	Der Akku ist zu 0 % - 5 % geladen.

So laden Sie den Akku

Laden Sie den Akku, wenn Sie ihn zum ersten Mal verwenden. Ein neuer Akku ist nur zu 30 % geladen.



ACHTUNG: Schließen Sie das Ladegerät an eine Steckdose mit der auf dem Typenschild angegebenen Spannung und Frequenz an.

3. Schließen Sie den Akku an das Ladegerät an. Die Lade-LED leuchtet auf. Laden Sie den Akku für maximal 24 Stunden. (Abb. 30)
4. Drücken Sie die Taste für den Akku-Ladezustand. Wenn alle LED-Anzeigelampen aufleuchten, ist der Akku vollständig geladen.
5. Ziehen Sie den Netzstecker, um das Ladegerät von der Steckdose zu trennen. Ziehen Sie nicht am Netzkabel.
6. Nehmen Sie den Akku aus dem Ladegerät.

Der Akku wird nicht aufgeladen, wenn die Akkutemperatur mehr als 50 °C/122° F beträgt.

1. Schließen Sie das Netzkabel an das Ladegerät an.
2. Schließen Sie das Ladegerät an eine geerdete Steckdose an. Die Lade-LED blinkt ein Mal. (Abb. 29)

So schließen Sie den Akku an das Gerät an



WARNUNG: Verwenden Sie im Gerät nur den empfohlenen Husqvarna Akku.

1. Stellen Sie sicher, dass der Akku vollständig geladen ist.
2. Drücken Sie den Akku in den Akkuhalter, bis ein Klicken zu hören ist. Der Akku muss sich leicht bewegen lassen. Ist dies nicht der Fall, ist er nicht korrekt installiert. (Abb. 31)

So starten Sie das Gerät

1. Halten Sie die Starttaste gedrückt, bis die grüne LED aufleuchtet. (Abb. 32)
2. Verwenden Sie den Gashebel zum Betreiben des Geräts.

So stellen Sie den optimalen Luftstrahl für Ihre Arbeit ein

- Drücken Sie die Drehzahlregelungstaste, um den Luftstrom einzustellen. Der Luftstrom kann in 3 Schritten eingestellt werden. (Abb. 33)

So stoppen Sie das Gerät

1. Gashebel loslassen.
2. Halten Sie den Betriebsschalter gedrückt, bis die grüne LED erlischt.
3. Drücken Sie die Entriegelungstaste und ziehen Sie den Akku heraus. (Abb. 34)

Automatische Abschaltfunktion

Das Gerät verfügt über eine automatische Abschaltfunktion, die das Gerät anhält, wenn es nicht verwendet wird. Die grüne Betriebsanzeige-LED erlischt, und das Gerät stoppt nach 3 Minuten.

Instand halten

Einleitung



WARNUNG: Vor der Durchführung von Wartungsarbeiten müssen Sie die Sicherheitsinformationen lesen und verstehen.

Wartungsplan



WARNUNG: Entfernen Sie den Akku, bevor Sie Wartungsarbeiten durchführen.

Nachstehend sind die am Gerät vorzunehmenden Wartungsmaßnahmen aufgelistet.

Instand halten	Täglich	Wöchentlich	Monatlich
Reinigen Sie das Gerät mit einem sauberen und trockenen Tuch. Kein Wasser verwenden.	X		
Stellen Sie sicher, dass die Griffe sauber und trocken sind.	X		
Prüfen Sie die Tastatur.	X		
Prüfen Sie den Gashebel.	X		
Vergewissern Sie sich, dass alle Muttern und Schrauben fest angezogen sind.	X		
Sicherstellen, dass der Akku unbeschädigt ist.	X		
Überprüfen Sie den Ladezustand des Akkus.	X		
Stellen Sie sicher, dass die Entriegelungstasten am Akku nicht beschädigt sind und der Akku in das Gerät einrastet.	X		
Stellen Sie sicher, dass das Akkuladegerät nicht beschädigt ist.	X		
Stellen Sie sicher, dass alle Kupplungen, Anschlüsse und Kabel sauber und unbeschädigt sind.		X	
Prüfen Sie die Anschlüsse am Akku, dem Ladegerät und dem Gerät selbst.			X

So prüfen Sie den Lufteinlass

1. Stellen Sie sicher, dass der Lufteinlass nicht blockiert ist. (Abb. 35)
2. Stoppen Sie das Gerät, und entfernen Sie ggf. unerwünschtes Material.



ACHTUNG: Ein verstopfter Lufteinlass verringert die Blastleistung des Geräts und erhöht die Betriebstemperatur des Motors. Dadurch kann der Motor zu heiß werden und versagen.

So prüfen Sie den Akku und das Ladegerät

1. Untersuchen Sie den Akku auf Schäden, z. B. Risse.

2. Untersuchen Sie das Akkuladegerät auf Schäden, z. B. Risse.
3. Stellen Sie sicher, dass das Verbindungskabel des Akkuladegeräts nicht beschädigt ist und dass keine Risse vorhanden sind.

So reinigen Sie das Gerät, den Akku und das Ladegerät

1. Reinigen Sie das Gerät nach jedem Gebrauch mit einem trockenen Tuch.
2. Reinigen Sie Akku und Ladegerät mit einem trockenen Tuch. Die Akkuführungsschienen sauber halten.
3. Stellen Sie sicher, dass die Klemmen an Akku und Ladegerät sauber sind, bevor der Akku in das Ladegerät oder das Gerät gesteckt wird.

Fehlerbehebung

Tastatur

LED-Bildschirm	Mögliche Fehler	Mögliche Abhilfen
Die rote Warn-LED blinkt.	Temperaturabweichung.	Gerät abkühlen lassen.
	Schmutz in Akkusteckern oder Lüfter blockiert.	Mit Druckluft oder einer weichen Bürste reinigen.
	Der Akku ist leer.	Den Akku aufladen.
	Der Akku ist beschädigt.	Die Servicewerkstatt kontaktieren.

Akku

LED-Bildschirm	Mögliche Fehler	Mögliche Abhilfen
Die grüne LED blinkt.	Zu geringe Akkuspannung.	Den Akku aufladen.
Die Fehler-LED blinkt.	Temperaturabweichung.	Der Akku darf nur bei Temperaturen zwischen -5 °C – 40 °C / 23 °F - 104 °F verwendet werden.
	Zu hohe Spannung.	Kontrollieren Sie, ob die Netzspannung mit der auf dem Typenschild des Geräts angegebenen Spannung übereinstimmt. Nehmen Sie den Akku aus dem Ladegerät.
Die Fehler-LED leuchtet.	Die Zellendifferenz ist zu groß (1 V).	Wenden Sie sich an Ihren Servicehändler.

Ladegerät

LED-Bildschirm	Mögliche Fehler	Mögliche Abhilfen
Die Lade-LED leuchtet dauerhaft rot.	Das Ladegerät ist defekt.	Wenden Sie sich an Ihren Servicehändler.
Die Lade-LED blinkt grün.	Die Akkutemperatur liegt außerhalb des Ladebereichs.	Lassen Sie den Akku abkühlen, oder erwärmen Sie ihn. Wenn der Akku die richtige Temperatur hat, kann er wieder verwendet oder aufgeladen werden. Verwenden Sie das Ladegerät bei Umgebungstemperaturen zwischen 5 °C – 40 °C / 41 °F - 104 °F.
Die Lade-LED blinkt rot.	Der Akku ist beschädigt.	Den Servicehändler kontaktieren.

Transport, Lagerung und Entsorgung

Transport und Lagerung

- Die gelieferten Lithium-Ionen-Akkus entsprechen den Anforderungen des Gefahrgutrechts.
- Beachten Sie für den gewerblichen Transport, auch durch Dritte oder Speditionen, die gesonderten Anforderungen auf Verpackung und Etiketten.
- Sprechen Sie sich vor dem Versand des Geräts mit einer Person ab, die speziell im Gefahrgutversand geschult ist. Beachten Sie sämtliche geltenden nationalen Vorschriften.
- Bedecken Sie offene Kontakte mit Klebeband, wenn Sie den Akku in eine Verpackung legen. Stellen Sie sicher, dass der Akku in der Verpackung nicht verrutschen kann.
- Entnehmen Sie den Akku für die Lagerung oder den Transport.
- Bringen Sie den Akku und das Ladegerät an einem Ort unter, der trocken und frei von Feuchtigkeit und Frost ist.
- Lagern Sie den Akku nicht an einem Ort, an dem es zu elektrostatischen Entladungen kommen kann. Bewahren Sie den Akku nicht in einem Metallkasten auf.
- Stellen Sie bei der Lagerung des Akkus sicher, dass die Temperatur zwischen 5°C / 41°F und 25°C / 77°F liegt und der Akku keinem direkten Sonnenlicht ausgesetzt ist.
- Stellen Sie bei der Lagerung des Akkuladegeräts sicher, dass die Temperatur zwischen 5 °C/41 °F and 45°C/113°F liegt und das Ladegerät keinem direkten Sonnenlicht ausgesetzt ist.
- Das Akkuladegerät darf nur verwendet werden, wenn die Umgebungstemperatur zwischen 5 °C – 40 °C / 41 °F - 104 °F liegt.
- Laden Sie den Akku auf 30 bis 50 %, bevor Sie ihn über längere Zeit einlagern.

- Lagern sie das Gerät bei einer Temperatur zwischen -40 °C/-40 °F und +60 °C/140 °F.
- Lagern Sie das Akkuladegerät in einem geschlossenen und trockenen Raum.
- Achten Sie bei der Lagerung darauf, dass sich der Akku nicht in unmittelbarer Nähe zum Ladegerät befindet. Kinder und andere nicht befugte Personen dürfen die Ausstattung nicht berühren. Verwahren Sie die Ausstattung in einem abschließbaren Raum.
- Reinigen Sie das Gerät und führen Sie umfassende Servicearbeiten durch, bevor Sie es längere Zeit einlagern.
- Befestigen Sie das Gerät während des Transports sicher.

Entsorgung von Akku, Ladegerät und Gerät

Symbole auf dem Gerät oder seiner Verpackung zeigen an, dass dieses Gerät kein Hausmüll ist. Recyceln Sie es an einer Recyclingstation für elektrische und elektronische Geräte. So werden Umwelt- und Personenschäden vermieden.

Wenden Sie sich für weitere Informationen zum Recycling Ihres Geräts an Ihre örtlichen Behörden, Abfallentsorgungsunternehmen oder Ihren Händler.

Entsorgen von Elektro- und Elektronik-Altgeräten

Gilt nur für Deutschland



Die durchgestrichene Abfalltonne weist darauf hin, dass Sie gesetzlich verpflichtet sind, dieses Gerät

getrennt vom unsortierten Siedlungsabfall zu entsorgen. Die Entsorgung im Restmüll oder im gelben Sack ist verboten. Wenn das Produkt Einwegbatterien oder Akkus enthält, die nicht dauerhaft installiert sind, müssen diese vor der Entsorgung des Produkts entfernt und separat als Batterien bzw. Akkus entsorgt werden.

Entfernen von Batterien, Akkus und Leuchtmitteln:

Batterien, Akkus oder Leuchtmittel, die aus dem Produkt entfernt werden können, ohne es zu beschädigen, müssen vor der Entsorgung entfernt und separat als Batterien, Akkus oder Leuchtmittel entsorgt werden. Die folgenden Batterien oder Akkus sind in diesem Produkt enthalten:

- **Akkutyp:** Li-ion
- **Chemie:** Litium

Informationen zur Rückgabe von Elektro- und Elektronik-Altgeräten für Privathaushalte:

Wie im Folgenden näher beschrieben, sind bestimmte Vertrieber verpflichtet, Elektro- und Elektronik-Altgeräte kostenlos zurückzunehmen.

Vertrieber von Elektro- und Elektronikgeräten mit einer Verkaufsfläche von mindestens 400 m² und Lebensmittelhändler mit einer Gesamtverkaufsfläche von mindestens 800 m², die mehrmals im Kalenderjahr oder beständig Elektro- und Elektronikgeräte abgeben und verkaufen, sind unter den folgenden Umständen zur Rücknahme von Geräten verpflichtet:

1. Beim Verkauf eines neuen Elektro- oder Elektronikgeräts muss der Vertrieber ein Altgerät desselben Gerätetyps kostenlos zurücknehmen, das im Wesentlichen die gleichen Funktionen wie das neue Gerät bereitstellt. Dies muss an dem Standort, an dem das Gerät abgegeben wird, oder in unmittelbarer Nähe geschehen. Privathaushalte gelten auch als der Ort, an dem das Gerät abgegeben wird, sofern das Produkt dorthin geliefert wird: In diesem Fall werden Altgeräte ohne Kosten für den Endbenutzer abgeholt.
2. Der Vertrieber muss Altgeräte mit einem Durchmesser von weniger als 25 cm auf Wunsch des Endbenutzers an der Verkaufsstelle oder in unmittelbarer Nähe zurücknehmen. Diese Rückgabe muss nicht mit dem Kauf von Elektro- oder Elektronikgeräten in Verbindung stehen und ist auf drei Altgeräte pro Gerätetyp beschränkt.

Bei Abschluss des Kaufvertrags für ein neues Elektro- oder Elektronikgerät muss der Vertrieber den Endbenutzer über sein Recht informieren, das Altgerät zurückzugeben oder kostenlos abholen zu lassen, und den Endbenutzer fragen, ob er beabsichtigt, ein Altgerät bei der Lieferung des neuen Geräts zurückzugeben.

Dies gilt auch für den Vertrieb über Telekommunikation, wenn die Lager- und Versandfläche für Elektro- und Elektronikgeräte mindestens 400 m² beträgt oder wenn die gesamte Lager- und Versandfläche mindestens 800 m² beträgt, wobei die kostenlose Abholung von Elektro- oder Elektronikgeräten auf die folgenden Kategorien beschränkt ist:

- 1 (Wärmeüberträger)
- 2 (Geräte mit Displays) und
- 4 (große Geräte mit mindestens einer äußeren Abmessung von mehr als 50 cm)

Für alle anderen Elektro- und Elektronikgeräte muss der Vertrieber entsprechende Rücknahmestellen in angemessener Nähe zum Endverbraucher sicherstellen. Dies gilt auch für Altgeräte, bei denen keine äußere Abmessung 25 cm überschreitet, die der Endbenutzer zurückgeben möchte, ohne ein neues Gerät zu erwerben.

Datenschutz

Alle Endbenutzer von Elektro- und Elektronik-Altgeräten sind dafür verantwortlich, alle personenbezogenen Daten von den zu entsorgenden Elektro- und Elektronik-Altgeräten zu löschen.

WEEE-Registrierungsnummer

Husqvarna 10168717

Sammlungs- und Verwertungsraten

Gemäß der WEEE-Richtlinie sind die EU-Mitgliedstaaten verpflichtet, Daten über Elektro- und Elektronik-Altgeräte zu sammeln und diese Daten an die Europäische Kommission zu übermitteln. Weitere Informationen hierzu finden Sie auf der BMUV-Website: <https://www.bmu.de/themen/wasser-ressourcen-abfall/kreislaufwirtschaft/statistiken/elektro-und-elektronikaltgeraete>

Technische Angaben

Technische Daten

	122iB
Motor	
Motortyp	PMDC

	122iB
Gewicht	
Gewicht ohne Akku, kg	1,9
Geräuschemissionen, Schallpegel, ^{13 14}	
Schalleistungspegel, gemessen dB (A)	92,2
Schalleistungspegel, garantiert L _{WA} dB (A)	93
Äquivalenter Schalldruckpegel am Ohr des Bedieners, gemessen gemäß EN IEC 62841-4-6 und ISO 22868, dB (A):	82,8
Vibrationspegel ¹⁵	
Vibrationspegel an den Griffen, gemessen nach EN IEC 62841-4-6, m/s ²	1,13
Gebläseleistung	
Spitzenvolumenstrom, m ³ /h	865
Theoretische Spitzengeschwindigkeit, m/s	53
Blasleistung, N	11

Schall- und Vibrationsdaten werden auf der Grundlage der maximalen Geschwindigkeit ermittelt.

vorläufigen Beurteilung der Exposition verwendet werden.

Hinweis: Die angegebenen Vibrationsgesamtwerte und die angegebenen Geräuschemissionswerte wurde gemäß einer Standardtestmethode gemessen und können zum Vergleich von Geräten herangezogen werden.

Hinweis: Die Vibrations- und Geräuschemissionen während der tatsächlichen Verwendung des Geräts können abhängig von der Verwendungsart des Geräts vom angegebenen Gesamtwert abweichen. Es ist erforderlich, Sicherheitsmaßnahmen für den Schutz der Bediener zu ergreifen, die auf einer Beurteilung der Exposition unter tatsächlichen Nutzungsbedingungen beruht. Dabei sind alle Teile des Betriebszyklus zu berücksichtigen, z. B. abgesehen von der Zeit im Gashebelbetrieb, die Zeiten, wenn das Gerät ausgeschaltet ist und wenn es im Leerlauf betrieben wird.

Hinweis: Die angegebenen Vibrationsgesamtwerte und die Geräuschemissionswerte können bei der

Zugelassene Akkus für das Gerät

Akku	40-B140
Typ	Lithium-Ionen
Akkukapazität, Ah	Siehe Aufkleber zur Akkukapazität
Nennspannung, V	36
Gewicht, kg/lb	1,25/2,76

¹³ Geräuschemissionen in der Umgebung, gemessen als Schalleistung (L_{WA}) gemäß EG-Richtlinie 2000/14/EG, liegen normalerweise bei einer Ausbreitungsklasse (Standardabweichung) von 1,0 dB (A).

¹⁴ Berichten zufolge liegt der Schalldruckpegel für dieses Gerät normalerweise bei einer Ausbreitungsklasse (Standardabweichung) von 1,3 dB (A).

¹⁵ Berichten zufolge liegt der Vibrationspegel normalerweise bei einer Ausbreitungsklasse (Standardabweichung) von 1,5 m/s².

Zugelassene Ladegeräte

Ladegerät	40-C80
Eingangsspannung, V	100-240
Frequenz, Hz	50-60
Leistung, W	72
Ausgangsspannung, VDC/Ampere, A	43/1,6

Konformitätserklärung

EU-Konformitätserklärung

Die **Husqvarna AB**, SE-561 82 Huskvarna, Schweden,
Tel.: +46-36-146500, erklärt in alleiniger Verantwortung,
dass das Gerät:

Beschreibung	Handgeführtes akkubetriebenes Laubblasgerät
Marke	Husqvarna
Typ/Modell	122iB
Identifizierung	Seriennummern ab 2025

entspricht den folgenden EU-Richtlinien und
-Verordnungen in der jeweils gültigen Fassung:

Verordnung	Beschreibung
2006/42/EG	„Maschinenrichtlinie“
2014/30/EG	„EMV-Richtlinie“
2011/65/EU	„zur Beschränkung der Verwendung bestimmter gefährlicher Stoffe in Elektro- und Elektronikgeräten“
2000/14/EG	„über umweltbelastende Geräuschemissionen von zur Verwendung im Freien vorgesehenen Geräten und Maschinen“

und dass die folgenden Normen und/oder technischen
Daten angewendet werden: EN 62841-1:2015/
A11:2022, EN IEC 62841-4-6:2024/A11:2024, EN IEC
63000:2018

EN IEC 55014-1:2021, EN IEC 55014-2:2021

Gemäß Richtlinie 2000/14/EC, Anhang V, siehe
Technische Angaben auf Seite 73 für die angegebenen
Schallwerte.

Huskvarna, 2025-11-03

Claes Losdal, R&D Manager, Husqvarna AB

Verantwortlich für die technische Dokumentation



Περιεχόμενα

Εισαγωγή.....	77	Αντιμετώπιση προβλημάτων.....	87
Ασφάλεια.....	78	Μεταφορά, αποθήκευση και απόρριψη.....	88
Συναρμολόγηση.....	84	Τεχνικά στοιχεία.....	89
Λειτουργία.....	85	Δήλωση Συμμόρφωσης.....	91
Συντήρηση.....	86		

Εισαγωγή

Επισκόπηση προϊόντος

(Εικ. 1)

1. Ακροφύσιο φουσητήρα
2. Κουμπί απασφάλισης για το ακροφύσιο του φουσητήρα
3. Πληκτρολόγιο
4. Σκανδάλη γκαζιού
5. Λαβή
6. Διακόπτης ισχύος (ON/OFF)
7. Ένδειξη ισχύος
8. Προειδοποιητική ένδειξη, λυχνία LED σφάλματος
9. Κουμπί ελέγχου ταχύτητας
10. Υποστηρίγματα
11. Κουμπί ένδειξης μπαταρίας
12. Κατάσταση μπαταρίας
13. Ένδειξη θερμοκρασίας μπαταρίας
14. Κουμπί απασφάλισης μπαταρίας
15. Μπαταρία
16. Ένδειξη λειτουργίας και προειδοποίησης
17. Συνδετήρας
18. Φορτιστής μπαταρίας 40-C80
19. Εγχειρίδιο χρήσης

Περιγραφή προϊόντος

Το Husqvarna 122iB είναι ένα μοντέλο φουσητήρα με ηλεκτρικό μοτέρ.

Προβλεπόμενη χρήση

Αυτό το προϊόν είναι ένας αξιόπιστος και εύρηστος φουσητήρας φύλλων χειρός για όλες τις εργασίες φυσίματος και γενικού καθαρισμού στο σπίτι και τον κήπο.

Σύμβολα στο προϊόν

- (Εικ. 2) ΠΡΟΕΙΔΟΠΟΙΗΣΗ: Αυτό το προϊόν μπορεί να είναι επικίνδυνο και να προκαλέσει σοβαρό τραυματισμό ή θάνατο του χειριστή ή άλλων ατόμων. Να είστε προσεκτικοί και να χρησιμοποιείτε το προϊόν σωστά.
- (Εικ. 3) Διαβάστε προσεκτικά το εγχειρίδιο χρήσης και βεβαιωθείτε ότι έχετε κατανοήσει τις οδηγίες προτού χρησιμοποιήσετε το προϊόν.
- (Εικ. 4) Χρησιμοποιείτε εγκεκριμένη προστασία ματιών.

(Εικ. 5) ΠΡΟΕΙΔΟΠΟΙΗΣΗ - Απομακρύνετε τυχόν παριστάμενα άτομα.

(Εικ. 6) Αποφύγετε την έκθεση στη βροχή.

(Εικ. 7) Ετικέτα εκπομπών θορύβου στο περιβάλλον σύμφωνα με οδηγίες και κανονισμούς της ΕΕ και τη νομοθεσία της Νότιας Νέας Ουαλίας "Κανονισμός για την προστασία των περιβαλλοντικών δράσεων (έλεγχος θορύβου) του 2017". Η εγγυημένη στάθμη ηχητικής ισχύος του προϊόντος καθορίζεται στην ενότητα *Τεχνικά στοιχεία στη σελίδα 89* και στην ετικέτα.

(Εικ. 8) Το προϊόν ή η συσκευασία του προϊόντος δεν αποτελεί οικιακό απόρριμμα. Ανακυκλώστε το σε κέντρο ανακύκλωσης ηλεκτρικού και ηλεκτρονικού εξοπλισμού.

(Εικ. 9) Το προϊόν συμμορφώνεται με τις ισχύουσες οδηγίες ΕΚ.

(Εικ. 10) Ονομαστική τάση, V

(Εικ. 11) Συνεχές ρεύμα.

yyyy wwwwxxx | Η πινακίδα ονομαστικών τιμών δείχνει τον αριθμό σειράς. Το **yyyy** είναι το έτος παραγωγής, το **ww** είναι η εβδομάδα παραγωγής και το **xxx** είναι ο αλληλοδιάδοχος αριθμός.

Περιεχόμενα Άλλα σύμβολα/σήματα που υπάρχουν στο προϊόν αναφέρονται σε ειδικές απαιτήσεις πιστοποίησης για συγκεκριμένες αγορές.

Σύμβολα στην μπαταρία ή/και στον φορτιστή της μπαταρίας

(Εικ. 12) Μετασχηματιστής εξασφαλισμένης λειτουργίας σε περίπτωση βλάβης.

(Εικ. 13) Χρησιμοποιείτε και φυλάσσετε τον φορτιστή μπαταρίας μόνο σε εσωτερικούς χώρους.

(Εικ. 14) Διπλή μόνωση.

(Εικ. 15)

Ανακυκλώστε αυτό το προϊόν σε κέντρο ανακύκλωσης ηλεκτρικού και ηλεκτρονικού εξοπλισμού. (Ισχύει μόνο για την Ευρώπη)

- Το προϊόν έχει επισκευαστεί με εξαρτήματα που δεν προέρχονται από τον κατασκευαστή ή που δεν έχουν εγκριθεί από τον κατασκευαστή.
- Το προϊόν διαθέτει ένα αξεσουάρ που δεν προέρχεται από τον κατασκευαστή ή που δεν έχει εγκριθεί από τον κατασκευαστή.
- Το προϊόν δεν έχει επισκευαστεί σε εγκεκριμένο κέντρο σέρβις ή από εγκεκριμένη αρχή.

Κατασκευαστής

Husqvarna AB

Drottninggatan 2, SE-561 82 Huskvarna

Ζημιά στο προϊόν

Δεν φέρουμε ευθύνη για ζημιές στο προϊόν μας εάν:

- Το προϊόν έχει επισκευαστεί λανθασμένα.

Ασφάλεια

Ορισμοί για την ασφάλεια

Για την επισήμανση ειδικών σημαντικών τμημάτων του εγχειριδίου χρησιμοποιούνται προειδοποιήσεις, συστάσεις προσοχής και σημειώσεις.



ΠΡΟΕΙΔΟΠΟΙΗΣΗ: Χρησιμοποιείται όταν υπάρχει κίνδυνος τραυματισμού ή θανάτου του χειριστή ή άλλων παριστάμενων ατόμων, αν δεν τηρηθούν οι οδηγίες που παρέχονται στο εγχειρίδιο.



ΠΡΟΣΟΧΗ: Χρησιμοποιείται όταν υπάρχει κίνδυνος πρόκλησης ζημιάς στο προϊόν, σε άλλα υλικά ή στον παρακείμενο χώρο, αν δεν τηρηθούν οι οδηγίες που παρέχονται στο εγχειρίδιο.

Περιεχόμενα Χρησιμοποιείται για παροχή περισσότερων πληροφοριών, οι οποίες χρειάζονται σε μια δεδομένη κατάσταση.

Γενικές υποδείξεις ασφαλείας για ηλεκτρικά εργαλεία



ΠΡΟΕΙΔΟΠΟΙΗΣΗ: Διαβάστε όλες τις προειδοποιήσεις, τις οδηγίες, τις εικόνες και τις προδιαγραφές ασφαλείας που παρέχονται με αυτό το μηχάνημα. *Η μη τήρηση όλων των οδηγιών που αναφέρονται παρακάτω μπορεί να προκαλέσει ηλεκτροπληξία, πυρκαγιά ή/και σοβαρό τραυματισμό.*

Φυλάξτε όλες τις προειδοποιήσεις και τις οδηγίες για μελλοντική αναφορά.

Περιεχόμενα Ο όρος "μηχάνημα" που χρησιμοποιείται στις προειδοποιήσεις αναφέρεται σε μηχάνημα που τροφοδοτείται από το δίκτυο ρεύματος (με

καλώδιο) ή σε μηχάνημα που τροφοδοτείται ηλεκτρικά από μπαταρία (χωρίς καλώδιο).

Ασφάλεια στον χώρο εργασίας

- Διατηρείτε τον χώρο εργασίας καθαρό και με καλό φωτισμό. Οι ακατάστατοι ή σκοτεινοί χώροι ενέχουν τον κίνδυνο ατυχημάτων.
- Μην χρησιμοποιείτε το μηχάνημα σε εκρηκτικές ατμόσφαιρες, π.χ. παρουσία εύφλεκτων υγρών, αερίων ή σκόνης. Τα μηχανήματα δημιουργούν σπινθήρες, οι οποίοι ενδέχεται να προκαλέσουν την ανάφλεξη των σωματιδίων σκόνης ή των καπνών.
- Όταν χειρίζεστε ένα μηχάνημα, δεν πρέπει να βρίσκονται κοντά παιδιά ή άλλα παριστάμενα άτομα. Ενδέχεται να αποσπάσουν την προσοχή σας, με αποτέλεσμα να χάσετε τον έλεγχο.

Ασφάλεια με το ηλεκτρικό ρεύμα

- Τα βύσματα του μηχανήματος πρέπει να ταιριάζουν στην πρίζα. Μην τροποποιείτε ποτέ το βύσμα. Μην χρησιμοποιείτε βύσματα προσαρμογών με γειωμένα μηχανήματα. Η χρήση μη τροποποιημένων φις και συμβατών πριζών μειώνει τον κίνδυνο ηλεκτροπληξίας.
- Αποφεύγετε την επαφή του σώματος με γειωμένες επιφάνειες, όπως σωλήνες, καλοριφέρ, κουζίνες και ψυγεία. Υπάρχει αυξημένος κίνδυνος ηλεκτροπληξίας, εάν το σώμα σας έρθει σε επαφή με γείωση.
- Μην εκθέτετε τα μηχανήματα σε συνθήκες βροχής ή υγρασίας. Σε περίπτωση εισχώρησης νερού στο μηχάνημα, αυξάνεται ο κίνδυνος ηλεκτροπληξίας.
- Μην προκαλείτε φθορά στο καλώδιο. Μην χρησιμοποιείτε ποτέ το καλώδιο για τη μεταφορά, το τράβηγμα ή την αποσύνδεση του μηχανήματος. Φυλάσσετε το καλώδιο μακριά από θερμότητα, λάδια, αιχμηρές άκρες ή κινούμενα εξαρτήματα. Εάν το καλώδιο καταστραφεί ή εμπλακεί, αυξάνεται ο κίνδυνος ηλεκτροπληξίας.
- Όταν χρησιμοποιείτε ένα μηχάνημα σε εξωτερικό χώρο, χρησιμοποιείτε καλώδιο προέκτασης που είναι κατάλληλο για χρήση σε εξωτερικό χώρο. Η χρήση

καλωδίου κατάλληλου για εξωτερικό χώρο μειώνει τον κίνδυνο ηλεκτροπληξίας.

- **Αν η χρήση ενός μηχανήματος σε χώρο με υγρασία είναι αναπόφευκτη, χρησιμοποιήστε μια παροχή ρεύματος με διάταξη προστασίας από ρεύματα διαρροής (RCD).** Η χρήση μιας διάταξης RCD μειώνει τον κίνδυνο ηλεκτροπληξίας.

Προσωπική ασφάλεια

- **Να είστε σε εγρήγορση, να προσέχετε τι κάνετε και να χρησιμοποιείτε την κοινή λογική όταν χρησιμοποιείτε ένα μηχάνημα. Μην χρησιμοποιείτε τα μηχανήματα όταν είστε κουρασμένοι ή υπό την επίρρεια ναρκωτικών, αλκοόλ ή φαρμάκων.** Μια στιγμή απροσεξίας κατά τον χειρισμό των μηχανημάτων μπορεί να προκαλέσει σε σοβαρό τραυματισμό.
- **Πρέπει να χρησιμοποιείτε προσωπικό εξοπλισμό προστασίας. Φοράτε πάντοτε προστατευτικά γυαλιά.** Ο εξοπλισμός προστασίας, όπως προστατευτική μάσκα αναπνοής, αντιολισθητικά παπούτσια ασφαλείας, κράνος ή προστατευτικά ακοής σε κατάλληλες συνθήκες, μειώνει τον κίνδυνο τραυματισμών.
- **Φροντίστε ώστε να μην είναι εφικτή η ακούσια εκκίνηση. Βεβαιωθείτε ότι ο διακόπτης βρίσκεται στη θέση OFF προτού συνδέσετε το μηχάνημα στην πηγή τροφοδοσίας ή/και στην μπαταρία και προτού πιάσετε ή μεταφέρετε το μηχάνημα.** Η μεταφορά των μηχανημάτων, ενώ έχετε το χέρι σας στον διακόπτη, ή η σύνδεση ενεργοποιημένων μηχανημάτων σε πρίζα ενέχει κίνδυνο ατυχημάτων.
- **Αφαιρέστε τυχόν κλειδιά ρύθμισης ή σύσφιξης, προτού ενεργοποιήσετε το μηχάνημα.** Ένα κλειδί σύσφιξης ή ρύθμισης που παραμένει προσαρτημένο σε κινούμενο μέρος του μηχανήματος μπορεί να προκαλέσει τραυματισμό.
- **Μην τεντώνετε υπερβολικά. Να πατάτε καλά τα πόδια σας και να διατηρείτε την ισορροπία σας συνέχεια.** Έτσι επιτυγχάνεται ο καλύτερος έλεγχος του μηχανήματος σε τυχόν απρόβλεπτες καταστάσεις.
- **Φοράτε κατάλληλα ρούχα. Μην φοράτε φαρδιά ρούχα ή κοσμήματα. Φροντίστε τα μαλλιά και τα ρούχα σας να βρίσκονται σε απόσταση από τα κινούμενα εξαρτήματα.** Τα φαρδιά ρούχα, τα κοσμήματα ή τα μακριά μαλλιά ενδέχεται να πιαστούν σε κινούμενα μέρη.
- **Εάν παρέχονται διατάξεις για τη σύνδεση συστημάτων συλλογής και απομάκρυνσης σκόνης, βεβαιωθείτε ότι αυτές έχουν συνδεθεί και χρησιμοποιούνται σωστά.** Χρησιμοποιείτε σύστημα συλλογής σκόνης για να μειώσετε τους κινδύνους που σχετίζονται με τη σκόνη.
- **Ακόμη και αν χρησιμοποιείτε συχνά τα μηχανήματα και είστε εξοικειωμένοι με αυτά, μην επαναπαύεστε και μην παραβλέπετε τις αρχές ασφαλείας των μηχανημάτων.** Μια απρόσεκτη ενέργεια μπορεί να προκαλέσει σοβαρό τραυματισμό σε κλάσμα του δευτερολέπτου.

Χρήση και φροντίδα του μηχανήματος

- **Μην ασκείτε δύναμη στο μηχάνημα. Χρησιμοποιείτε το σωστό μηχάνημα για την εφαρμογή σας.** Το κατάλληλο μηχάνημα θα έχει καλύτερες επιδόσεις και θα προσφέρει μεγαλύτερη ασφάλεια στον βαθμό για τον οποίο έχει σχεδιαστεί.
- **Μην χρησιμοποιείτε το μηχάνημα, εάν δεν μπορεί να ενεργοποιηθεί και να απενεργοποιηθεί με τον διακόπτη.** Ένα μηχάνημα που δεν μπορεί να ελεγχθεί από τον διακόπτη είναι επικίνδυνο και πρέπει να επισκευαστεί.
- **Αποσυνδέστε το βύσμα από την πηγή τροφοδοσίας ή/και αφαιρέστε την μπαταρία, αν είναι αποσπώμενη, από το μηχάνημα πριν από την πραγματοποίηση ρυθμίσεων, την αλλαγή αξεσουάρ ή την αποθήκευση μηχανημάτων.** Αυτά τα μέτρα ασφαλείας αποκλείουν την ενεργοποίηση του ηλεκτρικού εργαλείου κατά λάθος.
- **Φυλάσσετε τα μηχανήματα που βρίσκονται σε αδράνεια μακριά από παιδιά και απαγορεύστε τη χρήση των μηχανημάτων σε άτομα που δεν είναι εξοικειωμένα με αυτά ή με τις οδηγίες.** Τα μηχανήματα είναι επικίνδυνα στα χέρια μη εκπαιδευμένων χρηστών.
- **Συντηρείτε τα μηχανήματα και τα αξεσουάρ. Ελέγξτε το μηχάνημα για τυχόν λανθασμένη ευθυγράμμιση ή κινούμενα εξαρτήματα που μαγκώνουν, σπασμένα εξαρτήματα ή άλλες καταστάσεις που μπορεί να επηρεάσουν τη λειτουργία του μηχανήματος. Σε περίπτωση ζημιάς, φροντίστε για την επισκευή του μηχανήματος προτού το χρησιμοποιήσετε.** Πολλά ατυχήματα προκαλούνται από μηχανήματα που δεν συντηρούνται σωστά.
- **Διατηρείτε τα μηχανήματα κοπής αιχμηρά και καθαρά.** Αν τα μηχανήματα κοπής συντηρούνται σωστά, με αιχμηρές άκρες κοπής, είναι λιγότερο πιθανή η εμπλοκή τους και πιο εύκολος ο έλεγχός τους.
- **Χρησιμοποιείτε το μηχάνημα, τα αξεσουάρ και τις κεφαλές σύμφωνα με τις οδηγίες αυτές, λαμβάνοντας υπόψη τις συνθήκες εργασίας και την εργασία που πρέπει να εκτελεστεί.** Η χρήση του μηχανήματος για εργασίες διαφορετικές από αυτές για τις οποίες προορίζεται μπορεί να προκαλέσει επικίνδυνες καταστάσεις.
- **Διατηρήστε τις χειρολαβές και τις επιφάνειες κραπήματος στεγνές και καθαρές, χωρίς λάδια και γράσο.** Οι ολισθηρές λαβές και επιφάνειες λαβών δεν επιτρέπουν τον ασφαλή χειρισμό και έλεγχο του ηλεκτρικού εργαλείου σε απρόβλεπτες καταστάσεις.

Χρήση και φροντίδα του μηχανήματος μπαταρίας

- **Να επαναφορτίζετε μόνο με το φορτιστή που ορίζεται από τον κατασκευαστή.** Ένας φορτιστής κατάλληλος για έναν τύπο συστοιχίας μπαταριών μπορεί να δημιουργήσει κίνδυνο φωτιάς κατά τη χρήση με άλλη συστοιχία μπαταριών.

- Χρησιμοποιείτε μηχανήματα μόνο με τις προδιαγραφόμενες μπαταρίες. Η χρήση οποιασδήποτε άλλης μπαταρίας μπορεί να προκαλέσει κίνδυνο τραυματισμού και πυρκαγιάς.
- Όταν η μπαταρία δεν χρησιμοποιείται, πρέπει να την φυλάσσετε μακριά από άλλα μεταλλικά αντικείμενα, όπως συνδέτες, νομίσματα, κλειδιά, καρφιά, βίδες ή άλλα μικρά μεταλλικά αντικείμενα, που μπορεί να προκαλέσουν ένωση των πόλων. Η βραχυκύκλωση των ακροδεκτών της μπαταρίας μεταξύ τους μπορεί να προκαλέσει εγκαύματα ή πυρκαγιά.
- Σε περίπτωση ακατάλληλου χειρισμού, μπορεί να εκπιαχθεί υγρό από την μπαταρία. Αποφεύγετε κάθε επαφή. Σε περίπτωση τυχαίας επαφής, ξεπλύνετε με νερό. Εάν το υγρό έρθει σε επαφή με τα μάτια, ζητήστε επίσης ιατρική βοήθεια. Η εκτόξευση υγρού από την μπαταρία μπορεί να προκαλέσει ερεθισμούς ή εγκαύματα.
- Μην χρησιμοποιείτε μπαταρίες ή μηχανήματα που έχουν υποστεί ζημιά ή τροποποιήσεις. Οι μπαταρίες που έχουν υποστεί ζημιά ή τροποποίηση μπορεί να παρουσιάσουν απρόβλεπτη συμπεριφορά με αποτέλεσμα να προκληθεί κίνδυνος πυρκαγιάς, έκρηξης ή τραυματισμού.
- Μην εκθέτετε τις μπαταρίες ή τα μηχανήματα σε φωτιά ή υπερβολικά υψηλή θερμοκρασία. Η έκθεση σε φωτιά ή θερμοκρασίες πάνω από 130 °C/265 °F μπορεί να προκαλέσει έκρηξη.
- Ακολουθείτε όλες τις οδηγίες φόρτισης και μην φορτίζετε την μπαταρία ή τα εργαλεία εκτός του εύρους θερμοκρασιών που προδιαγράφεται στις οδηγίες. Η φόρτιση με λανθασμένο τρόπο ή σε θερμοκρασίες εκτός του προδιαγραφόμενου εύρους μπορεί να προκαλέσει ζημιά στην μπαταρία και αυξάνει τον κίνδυνο πυρκαγιάς.

Σέρβις

- Αναθέστε το σέρβις του μηχανήματός σας σε εξειδικευμένο επισκευαστή. Αυτός επιτρέπεται να χρησιμοποιεί μόνο πανομοιότυπα ανταλλακτικά. Με τον τρόπο αυτόν εξασφαλίζεται η ασφάλεια του μηχανήματος.
- Μην εκτελείτε εργασίες σέρβις σε κατεστραμμένες μπαταρίες. Οι εργασίες σέρβις σε μπαταρίες θα πρέπει να εκτελούνται μόνο από τον κατασκευαστή ή από εξουσιοδοτημένα καταστήματα σέρβις.

Προειδοποιήσεις ασφαλείας για τον φυσητήρα κήπου

- Μην χρησιμοποιείτε τον φυσητήρα κήπου σε κακές καιρικές συνθήκες, ιδιαίτερα όταν υπάρχει κίνδυνος κεραυνού. Έτσι μειώνεται ο κίνδυνος να σας χτυπήσει κεραυνός.
- Χρησιμοποιείτε μέσα προστασίας των ματιών. Ο επαρκής εξοπλισμός προστασίας θα μειώσει τον κίνδυνο τραυματισμού.
- Κατά τη λειτουργία του φυσητήρα κήπου, φοράτε πάντα αντολισθητικά και προστατευτικά παπούτσια. Μην χρησιμοποιείτε τον φυσητήρα κήπου με γυμνά

πόδια ή φορώντας σανδάλια. Αυτό μειώνει τον κίνδυνο τραυματισμού στα πόδια.

- Μην φοράτε φαρδιά ρούχα ή προϊόντα όπως κασκόλ, κορδόνια, αλυσίδες, γραβάτες κ.λπ., που θα μπορούσαν να αναρροφηθούν στις εισόδους αέρα. Δέστε ή καλύψτε τα μακριά μαλλιά για να βεβαιωθείτε ότι δεν θα αναρροφηθούν στις εισόδους αέρα. Αν κάποιο από αυτά τα αντικείμενα αναρροφηθεί στις εισόδους αέρα, μπορεί να αυξηθεί ο κίνδυνος τραυματισμού.
- Απομακρύνετε τυχόν παριστάμενα άτομα κατά τη λειτουργία του φυσητήρα κήπου. Τα υπολείμματα που πέφτουν μπορούν να αυξήσουν τον κίνδυνο τραυματισμού.
- Μην στρέφετε ποτέ το ακροφύσιο του φυσητήρα φύλλων προς την κατεύθυνση ανθρώπων ή κατοικίδιων ή προς την κατεύθυνση παραθύρων. Να είστε ιδιαίτερα προσεκτικοί όταν φυσάτε υπολείμματα κοντά σε συμπαγή αντικείμενα, όπως δέντρα, αυτοκίνητα και τοίχους, τα οποία μπορούν να προκαλέσουν τον εξοστρακισμό των υπολειμμάτων. Τα υπολείμματα που πέφτουν μπορούν να προκαλέσουν υλικές ζημιές και να αυξήσουν τον κίνδυνο τραυματισμού.
- Μην χρησιμοποιείτε τον φυσητήρα κήπου για να φυσήξετε οτιδήποτε καίγεται ή βγάζει καπνό, όπως τσιγάρα, σπύρτα ή καυτή στάχτη. Αυτές οι πηγές ανάφλεξης μπορεί να αυξήσουν τον κίνδυνο πυρκαγιάς.
- Μην αγγίζετε τον ανεμιστήρα ενώ κινείται. Απενεργοποιήστε τον φυσητήρα κήπου και περιμένετε μέχρι να σταματήσει ο ανεμιστήρας πριν αφαιρέσετε οποιοδήποτε εξάρτημα που μπορεί να παρέχει πρόσβαση στον ανεμιστήρα. Αυτό μειώνει τον κίνδυνο τραυματισμού από κινούμενα μέρη.
- Κατά την αφαίρεση μπλοκαρισμένου υλικού ή τη συντήρηση του φυσητήρα κήπου, βεβαιωθείτε ότι ο διακόπτης λειτουργίας είναι στη θέση απενεργοποίησης. Η μη αναμενόμενη εκκίνηση του φυσητήρα φύλλων κήπου όταν απομακρύνετε υλικά που μπλοκάρουν τη λειτουργία του ή όταν το συντηρείτε μπορεί να οδηγήσει σε σοβαρό τραυματισμό.

Γενικές οδηγίες ασφαλείας



ΠΡΟΕΙΔΟΠΟΙΗΣΗ: Προτού χρησιμοποιήσετε το προϊόν, διαβάστε τις παρακάτω προειδοποιητικές οδηγίες.

- Αυτό το προϊόν είναι επικίνδυνο αν δεν χρησιμοποιηθεί σωστά ή αν δεν είστε προσεκτικοί. Αν δεν τηρείτε τις οδηγίες ασφαλείας, μπορεί να προκληθεί τραυματισμός ή θάνατος.
- Αυτό το προϊόν παράγει ηλεκτρομαγνητικό πεδίο κατά τη λειτουργία του. Το πεδίο αυτό, υπό ορισμένες συνθήκες, μπορεί να προκαλέσει παρεμβολές σε ενεργά ή παθητικά ιατρικά εμφυτεύματα. Για να μειωθεί ο κίνδυνος σοβαρών ή θανατηφόρων τραυματισμών, συνιστούμε στα άτομα

με ιατρικά εμφυτεύματα να συμβουλευούνται τον θεράποντα ιατρό τους και τον κατασκευαστή του ιατρικού εμφυτεύματος, προτού θέσουν το προϊόν σε λειτουργία.

- Πρέπει πάντα να προσέχετε και να χρησιμοποιείτε την κοινή λογική. Αν δεν είστε βέβαιοι πώς να χειριστείτε το προϊόν σε μια ιδιαίτερη κατάσταση, σταματήστε και μιλήστε με τον αντιπρόσωπο της Husqvarna προτού συνεχίσετε.
- Πρέπει να θυμάστε ότι ο χειριστής θεωρείται υπεύθυνος για ατυχήματα που μπορεί να προκληθούν σε άλλα άτομα ή στην περιουσία τους.
- Να διατηρείτε το προϊόν καθαρό. Βεβαιωθείτε ότι μπορείτε να διαβάσετε καθαρά τις ενδείξεις και τα σήματα.
- Μην επιτρέπετε ποτέ σε παιδιά ή άλλα άτομα, που δεν έχουν εξοικειωθεί με αυτές τις οδηγίες, να χρησιμοποιήσουν τη σασκευή. Οι τοπικοί κανονισμοί μπορεί να θέτουν περιορισμούς για την ηλικία του χειριστή.
- Αν το προϊόν χρησιμοποιείται από ένα άτομο με μειωμένη σωματική ή διανοητική ικανότητα, θα πρέπει πάντα να το επιβλέπετε. Πρέπει να είναι παρών ένας υπεύθυνος ενήλικας ανά πάσα στιγμή.
- Μην χρησιμοποιείτε το προϊόν, αν είστε κουρασμένοι, άρρωστοι ή υπό την επήρεια αλκοόλ, ναρκωτικών ή φαρμάκων. Αυτά έχουν αρνητικές συνέπειες στην όραση, την αυτοσυγκέντρωση, τον συντονισμό και την κρίση σας.
- Μην χρησιμοποιείτε το προϊόν εάν έχει υποστεί ζημιά ή εάν δεν λειτουργεί σωστά.
- Μην τροποποιείτε το προϊόν και μην το χρησιμοποιείτε αν είναι εμφανές ότι έχει τροποποιηθεί από άλλους.

Ασφάλεια στην εργασία



ΠΡΟΕΙΔΟΠΟΙΗΣΗ: Προτού χρησιμοποιήσετε το προϊόν, διαβάστε τις παρακάτω προειδοποιητικές οδηγίες.

- Πρέπει να χρησιμοποιείτε προσωπικό εξοπλισμό προστασίας. Ανατρέξτε στην ενότητα *Εξοπλισμός ατομικής προστασίας στη σελίδα 82*.
- Βεβαιωθείτε ότι γνωρίζετε πώς να σταματήσετε το μοτέρ γρήγορα σε περίπτωση έκτακτης ανάγκης.
- Μην χρησιμοποιείτε το προϊόν σε συνθήκες βροχής ή υγρασίας. Αν εισέλθει νερό στο προϊόν, αυξάνεται ο κίνδυνος ηλεκτροπληξίας.
- Να παραμένετε πάντα πίσω από το προϊόν κατά τη λειτουργία.
- Μην ανασηκώνετε ποτέ το προϊόν όταν έχει εκκινήσει ο κινητήρας. Αν πρέπει να ανασηκώσετε το προϊόν, σταματήστε το μοτέρ και αφαιρέστε την μπαταρία.
- Μην περπατάτε προς τα πίσω όταν χρησιμοποιείτε το προϊόν.
- Σταματήστε τον κινητήρα όταν πρέπει να γείρετε το προϊόν για μεταφορά ή πριν να μετακινηθείτε

σε περιοχές χωρίς χορτάρι, για παράδειγμα σε μονοπάτια από χαλίκι, πέτρα και άσφαλτο.

- Μην τρέχετε με το προϊόν όταν έχει εκκινήσει ο κινητήρας. Να περπατάτε πάντα προς τα εμπρός όταν χρησιμοποιείτε το προϊόν.
- Οι δονήσεις στο προϊόν στη διάρκεια της λειτουργίας μπορεί να διαφέρουν από την αναγραφόμενη τιμή δόνησης στο *Τεχνικά στοιχεία στη σελίδα 89*. Η διαφορά οφείλεται σε διακυμάνσεις στον τρόπο χρήσης του προϊόντος. Εάν χρησιμοποιείτε το προϊόν συχνά ή για μεγάλα χρονικά διαστήματα, πρέπει να κάνετε τακτικά διαλείμματα για να αποφύγετε τραυματισμούς από δονήσεις.

Οδηγίες ασφαλείας για τη λειτουργία



ΠΡΟΕΙΔΟΠΟΙΗΣΗ: Προτού χρησιμοποιήσετε το προϊόν, διαβάστε τις παρακάτω προειδοποιητικές οδηγίες.

- Εάν προκύψει μια κατάσταση όπου δεν είστε σίγουροι για το πώς πρέπει να προχωρήσετε, θα πρέπει να ζητήσετε τη συμβουλή ειδικού. Επικοινωνήστε με τον αντιπρόσωπο ή το συνεργείο σας. Αποφεύγετε τις καταστάσεις χρήσης, τις οποίες θεωρείτε πέραν των δυνατοτήτων σας.
- Βεβαιωθείτε ότι μπορείτε να κινηθείτε και να σταθείτε όρθιοι με ασφάλεια. Ελέγξτε την περιοχή γύρω σας για πιθανά εμπόδια (ρίζες, βράχια, κλαδιά, χαντάκια κ.λπ.) για την περίπτωση που χρειαστεί να μετακινηθείτε ξαφνικά. Να είστε ιδιαίτερα προσεκτικοί όταν εργάζεστε σε έδαφος με κλίση.
- Να διατηρείτε καλή ισορροπία και σταθερό πάτημα όλη την ώρα. Μην τευνώνεστε υπερβολικά.
- Να επιδεικνύετε ιδιαίτερη προσοχή για τυχόν προειδοποιητικά σήματα ή κραυγές όταν φοράτε τα προστατευτικά ακοής. Βγάξτε πάντα τα προστατευτικά ακοής μόλις σταματήσει το προϊόν.
- Μην χρησιμοποιείτε το προϊόν κοντά σε ανοικτά παράθυρα.
- Δείξτε ότι νοιάζεστε για τα άτομα γύρω σας αποφεύγοντας τη χρήση του προϊόντος σε ακατάλληλες ώρες, όπως αργά το βράδυ ή νωρίς το πρωί. Τηρείτε τους τοπικούς κανονισμούς και τις ισχύουσες διατάξεις.
- Χρησιμοποιείτε το προϊόν με την ελάχιστη δυνατή ροή αέρα. Σπανίως χρειάζεται να χρησιμοποιηθεί η πλήρης ροή αέρα και πολλές εργασίες μπορούν να εκτελεστούν με τη μισή ροή αέρα. Η χαμηλότερη ροή αέρα σημαίνει λιγότερο θόρυβο και λιγότερη σκόνη, ενώ είναι πιο εύκολο να διατηρείτε τον έλεγχο των σκουπιδιών που συγκεντρώνονται/μετακινούνται.
- Σε συνθήκες με σκόνη, βρέξτε ελαφρώς την επιφάνεια όταν χρησιμοποιείτε το προϊόν.
- Χρησιμοποιήστε τσουγκράνα ή βούρτσα για να αποδεσμεύσετε τα σκουπίδια που είναι κολλημένα στο έδαφος.
- Διατηρείτε το άνοιγμα του φυσητήρα όσο το δυνατόν πιο κοντά στο έδαφος.

- Παρακολουθείτε τον περιβάλλοντα χώρο. Μην κατευθύνετε το προϊόν προς άλλα άτομα, ζώα, χώρους αθλοπαίδων, αυτοκίνητα κ.λπ.
- Για να ελαχιστοποιήσετε τον χρόνο χρήσης του φυσητήρα φύλλων, μπορείτε να υγράνετε ελαφρώς τις σκονισμένες περιοχές ή να χρησιμοποιήσετε εξοπλισμό ψεκασμού.
- Πρέπει να προσέχετε την κατεύθυνση του ανέμου. Οι εργασίες γίνονται πιο εύκολα προς την κατεύθυνση του ανέμου.
- Αν το προϊόν αρχίσει να δονείται με ασυνήθιστο τρόπο, διακόψτε τη λειτουργία του και αφαιρέστε την μπαταρία.
- Η χρήση του φυσητήρα φύλλων για μετακίνηση μεγάλων σωρών είναι χρονοβόρα και παράγει περιτό θόρυβο.
- Πρέπει να καθαρίζετε την περιοχή μετά το τέλος της εργασίας. Βεβαιωθείτε ότι δεν έχετε ωθήσει με τον αέρα σκουπίδια στον κήπο κάποιου άλλου.
- Μην τρέχετε ενώ χρησιμοποιείτε το προϊόν.
- Τα ισχυρά ρεύματα αέρα μπορεί να μετακινήσουν αντικείμενα με τόσο μεγάλη ταχύτητα ώστε να αναπηδήσουν και να προκαλέσουν σοβαρό τραυματισμό στα μάτια.

(Εικ. 16)

- Μην κατευθύνετε τη ροή του αέρα προς ανθρώπους ή ζώα.
- Προτού συναρμολογήσετε ή αποσυναρμολογήσετε αξεσουάρ ή άλλα εξαρτήματα, πρέπει να σβήνετε τον κινητήρα.
- Μην πλησιάζετε οποιοδήποτε μέλος του σώματός σας σε καυτές επιφάνειες.
- Μην αφήνετε ποτέ το προϊόν κάτω όταν βρίσκεται σε λειτουργία, παρά μόνο αν μπορείτε να το παρακολουθείτε ανεμπόδιστα.
- Δεν πρέπει να χρησιμοποιείτε τον φυσητήρα φύλλων όταν βρίσκεστε πάνω σε σκάλα ή σκαλωσιά.

(Εικ. 17)

- Μην χρησιμοποιείτε το προϊόν παρά μόνο όταν έχετε τη δυνατότητα να καλέσετε βοήθεια σε περίπτωση ατυχήματος.
- Να προσέχετε τυχόν αντικείμενα που εκτοξεύονται. Υπάρχει κίνδυνος να εκτοξευθούν πέτρες, σκουπίδια κλπ. στα μάτια σας και να προκαλέσουν τύφλωση ή σοβαρό τραυματισμό.
- Κατά τη φόρτιση του προϊόντος, χρησιμοποιήστε μια διάταξη προστασίας από ρεύματα διαρροής (RCI) για μεγαλύτερη ασφάλεια. Για την προστασία των χειριστών σε περίπτωση ηλεκτρικής βλάβης, έχει τοποθετηθεί διάταξη προστασίας από ρεύματα διαρροής.
- Αυτό το μηχάνημα είναι φημισμένο για το χαμηλό φορτίο κραδασμών του. Η υπερέκθεση σε κραδασμούς μπορεί να προκαλέσει βλάβη στο κυκλοφορικό ή νευρικό σύστημα σε άτομα με βεβαρημένο κυκλοφορικό. Εάν αισθανθείτε συμπτώματα υπερέκθεσης σε κραδασμούς, επικοινωνήστε με τον γιατρό σας. Παραδείγματα

τέτοιον συμπτωμάτων είναι το μούδιασμα, η απώλεια αίσθησης, οι σουβλιές, ο πόνος, η μυϊκή ατονία και η αλλαγή στο χρώμα ή την κατάσταση του δέρματος. Τα συμπτώματα αυτά συνήθως εμφανίζονται στα δάχτυλα, τις παλάμες ή τους καρπούς.

- Το προϊόν πρέπει να χρησιμοποιείται μόνο για τον σκοπό για τον οποίο προορίζεται.
- Δεν είναι δυνατό να καλυφθούν όλες οι περιπτώσεις που ενδέχεται να συναντήσετε. Πρέπει πάντα να είστε προσεκτικοί και να χρησιμοποιείτε την κοινή λογική. Αποφεύγετε καταστάσεις τις οποίες θεωρείτε πέραν των δυνατοτήτων σας. Αν δεν είστε σίγουροι για τις διαδικασίες χειρισμού, αφού διαβάσατε αυτές τις οδηγίες, θα πρέπει να συμβουλευτείτε κάποιον ειδικό πριν συνεχίσετε.
- Πρέπει πάντα να κρατάτε το προϊόν και με τα δύο χέρια. Φροντίστε να κρατάτε το προϊόν στο πλάι του σώματός σας.

(Εικ. 18)

Εξοπλισμός ατομικής προστασίας



ΠΡΟΕΙΔΟΠΟΙΗΣΗ: Προτού χρησιμοποιήσετε το προϊόν, διαβάστε τις παρακάτω προειδοποιητικές οδηγίες.

- Όταν χρησιμοποιείτε το προϊόν, να φοράτε πάντα εγκεκριμένο εξοπλισμό ατομικής προστασίας. Ο εξοπλισμός ατομικής προστασίας δεν μπορεί να εξαλείψει τον κίνδυνο τραυματισμών, ωστόσο μειώνει τη σοβαρότητά τους σε περίπτωση ατυχήματος. Ο αντιπρόσωπος θα σας βοηθήσει να επιλέξετε τον σωστό εξοπλισμό.
- Χρησιμοποιείτε εγκεκριμένη προστασία ακοής.

(Εικ. 19)

- Χρησιμοποιείτε εγκεκριμένη προστασία ματιών. Εάν χρησιμοποιείτε προστατευτικό γέισο, πρέπει επίσης να χρησιμοποιείτε πάντα εγκεκριμένα γυαλιά προστασίας. Τα εγκεκριμένα γυαλιά προστασίας πρέπει να συμμορφώνονται με το πρότυπο ANSI Z87.1 στις Η.Π.Α. ή το πρότυπο EN 166 στις χώρες της Ε.Ε.

(Εικ. 20)

- Χρησιμοποιήστε γάντια, όταν είναι απαραίτητο.

(Εικ. 21)

- Πρέπει να χρησιμοποιείτε μπότες προστασίας με μεταλλική ενίσχυση στην περιοχή των δακτύλων και αντιολισθητικές σόλες.

(Εικ. 22)

- Να φοράτε ρούχα από ανθεκτικό ύφασμα. Να φοράτε πάντα ανθεκτικό μακρύ παντελόνι και μακριά μανίκια. Να μην φοράτε φαρδιά ρούχα που μπορεί να πιαστούν σε κλωνάρια και κλαδιά. Μην φοράτε κοσμήματα, κοντά παντελόνια ή σανδάλια. Μην περπατάτε με γυμνά πόδια. Να δένετε τα μαλλιά σας με ασφάλεια πάνω από το ύψος των ώμων.

- Να φροντίζετε να υπάρχει εξοπλισμός πρώτων βοηθειών σε κοντινή απόσταση.

(Εικ. 23)

Συσκευές ασφαλείας στο προϊόν



ΠΡΟΕΙΔΟΠΟΙΗΣΗ: Προτού χρησιμοποιήσετε το προϊόν, διαβάστε τις παρακάτω προειδοποιητικές οδηγίες.

- Σε αυτή την ενότητα περιγράφονται τα χαρακτηριστικά ασφαλείας του προϊόντος, ο σκοπός του καθώς και ο τρόπος διεξαγωγής των ελέγχων και της συντήρησης για τη διασφάλιση της σωστής λειτουργίας του. Διαβάστε τις οδηγίες κάτω από την επικεφαλίδα, *Επισκόπηση προϊόντος στη σελίδα 77* για να μάθετε πού βρίσκονται αυτά τα εξαρτήματα στο προϊόν σας.
- Η διάρκεια ζωής του προϊόντος μπορεί να μειωθεί και ο κίνδυνος ατυχημάτων να αυξηθεί, εάν η συντήρηση του προϊόντος δεν πραγματοποιείται σωστά και εάν το σέρβις ή/και οι επισκευές δεν εκτελούνται επαγγελματικά. Εάν χρειαστείτε περισσότερες πληροφορίες, επικοινωνήστε με τον πλησιέστερο αντιπρόσωπο σέρβις.
- Μην χρησιμοποιείτε ποτέ ένα προϊόν με φθαρμένα εξαρτήματα ασφαλείας. Ο εξοπλισμός ασφαλείας του προϊόντος πρέπει να επιθεωρείται και να συντηρείται όπως περιγράφεται σε αυτήν την ενότητα. Εάν το προϊόν αποτύχει σε οποιονδήποτε από αυτούς τους ελέγχους, επικοινωνήστε με τον αντιπρόσωπο σέρβις για την επίσκεψή του.
- Για όλες τις εργασίες σέρβις και επισκευής στο προϊόν απαιτείται ειδική εκπαίδευση. Αυτό ισχύει ιδιαίτερα για τον εξοπλισμό ασφαλείας του προϊόντος. Εάν το προϊόν δεν ολοκληρώσει επιτυχώς οποιονδήποτε από τους ελέγχους που περιγράφονται παρακάτω, πρέπει να επικοινωνήσετε με τον αντιπρόσωπο σέρβις. Όταν αγοράζετε οποιοδήποτε από τα προϊόντα μας, εγγυώμαστε τη διαθεσιμότητα επαγγελματικών επισκευών και σέρβις. Εάν το κατάστημα λιανικής πώλησης απ' όπου προμηθευτήκατε το προϊόν δεν είναι αντιπρόσωπος σέρβις, ζητήστε από το κατάστημα τη διεύθυνση του πλησιέστερου αντιπροσώπου σέρβις.

Για να ελέγξετε το πληκτρολόγιο

1. Πατήστε παρατεταμένα το κουμπί ON/OFF (A) μέχρι να ανάψει η ένδειξη μπαταρίας (B). (Εικ. 24)
2. Ανατρέξτε στην ενότητα *Αντιμετώπιση προβλημάτων στη σελίδα 87* αν η προειδοποιητική ένδειξη (C) είναι αναμμένη ή αναβοσβήνει.

Για να ελέγξετε τη σκανδάλη γκαζιού

- Πιέστε στιγμιαία τη σκανδάλη γκαζιού για να βεβαιωθείτε ότι κινείται ελεύθερα. (Εικ. 25)

Ασφάλεια μπαταρίας



ΠΡΟΕΙΔΟΠΟΙΗΣΗ: Προτού χρησιμοποιήσετε το προϊόν, διαβάστε τις παρακάτω προειδοποιητικές οδηγίες.

- Η συνιστώμενη μπαταρία είναι 40-B series. Οι μπαταρίες φέρουν κωδικοποίηση λογισμικού.
- Χρησιμοποιήστε την επαναφορτιζόμενη μπαταρία 40-B series ως παροχή ρεύματος αποκλειστικά για τα συναφή προϊόντα Husqvarna. Για την αποφυγή τραυματισμών, μην χρησιμοποιείτε την μπαταρία ως πηγή ηλεκτρικής ισχύος για άλλες συσκευές.
- Κίνδυνος ηλεκτροπληξίας. Μην συνδέετε τους πόλους της μπαταρίας σε κλειδιά, νομίσματα, βίδες ή άλλα μεταλλικά αντικείμενα. Αυτό μπορεί να προκαλέσει βραχυκύκλωμα της μπαταρίας.
- Μην χρησιμοποιείτε μπαταρίες που δεν είναι επαναφορτιζόμενες.
- Μην τοποθετείτε αντικείμενα μέσα στις εγκοπές αερισμού της μπαταρίας.
- Διατηρείτε την μπαταρία μακριά από την ηλιακή ακτινοβολία, τη θερμότητα ή τις γυμνές φλόγες. Η μπαταρία μπορεί να προκαλέσει εγκαύματα ή/και χημικά εγκαύματα.
- Διατηρείτε την μπαταρία μακριά από συνθήκες βροχής και υγρασίας.
- Διατηρείτε την μπαταρία μακριά από πηγές μικροκυμάτων και υψηλής πίεσης.
- Μην προσπαθήσετε να αποσυναρμολογήσετε ή να διαλύσετε την μπαταρία.
- Μην αφήνετε το οξύ της μπαταρίας να έρθει σε επαφή με το δέρμα σας. Το οξύ της μπαταρίας προκαλεί τραυματισμούς στο δέρμα, διάβρωση και εγκαύματα. Σε περίπτωση επαφής του οξέος με τα μάτια, μην τα τρίβετε και ξεπλύνετε τα με νερό για τουλάχιστον 15 λεπτά. Εάν το οξύ της μπαταρίας έρθει σε επαφή με το δέρμα σας, πρέπει να καθαρίσετε το δέρμα με μεγάλη ποσότητα νερού και σαπουνιού. Αναζητήστε ιατρική βοήθεια.
- Χρησιμοποιήστε την μπαταρία σε θερμοκρασίες μεταξύ -10 °C (14 °F) και 40 °C (104 °F).
- Μην καθαρίζετε την μπαταρία ή τον φορτιστή μπαταρίας με νερό. Βλ. *Για να καθαρίσετε το προϊόν, την μπαταρία και το φορτιστή της μπαταρίας στη σελίδα 87*.
- Μην χρησιμοποιείτε κατεστραμμένες μπαταρίες.
- Φυλάσσετε τις μπαταρίες μακριά από μεταλλικά αντικείμενα, όπως καρφιά, νομίσματα και κοσμήματα.
- Φυλάσσετε την μπαταρία μακριά από παιδιά.

Ασφάλεια φορτιστή μπαταρίας



ΠΡΟΕΙΔΟΠΟΙΗΣΗ: Προτού χρησιμοποιήσετε το προϊόν, διαβάστε τις παρακάτω προειδοποιητικές οδηγίες.

- Υπάρχει κίνδυνος ηλεκτροπληξίας ή βραχυκυκλώματος εάν δεν τηρηθούν οι οδηγίες ασφαλείας.
- Μην χρησιμοποιείτε άλλους φορτιστές μπαταρίας εκτός από αυτόν που παρέχεται για το προϊόν σας. Πρέπει να χρησιμοποιείτε μόνο φορτιστές 40-C80 για τη φόρτιση ανταλλακτικών μπαταριών της σειράς 40-B.
- Μην επιχειρείτε να αποσυναρμολογήσετε τον φορτιστή μπαταρίας.
- Μην χρησιμοποιείτε φορτιστή μπαταρίας που έχει υποστεί ζημιά ή δεν λειτουργεί σωστά.
- Μην σηκώνετε τον φορτιστή μπαταρίας από το καλώδιο ρεύματος. Για να αποσυνδέσετε τον φορτιστή της μπαταρίας από την πρίζα, τραβήξτε το βύσμα. Μην τραβάτε το καλώδιο.
- Κρατήστε όλα τα καλώδια και τα καλώδια επέκτασης μακριά από νερό, λάδι και αιχμηρές γωνίες. Βεβαιωθείτε ότι το καλώδιο δεν έχει μαγκώσει σε αντικείμενα όπως π.χ. πόρτες, φράχτες ή παρόμοια σημεία.
- Μην χρησιμοποιείτε τον φορτιστή μπαταρίας κοντά σε εύφλεκτα υλικά ή υλικά που μπορούν να προκαλέσουν διάβρωση. Βεβαιωθείτε ότι ο φορτιστής της μπαταρίας δεν είναι καλυμμένος. Σε περίπτωση έκλυσης καπνού ή πυρκαγιάς, βγάλτε τον φορτιστή μπαταρίας από την πρίζα.
- Να φορτίζετε την μπαταρία μόνο σε εσωτερικό χώρο σε μια θέση με καλή ροή αέρα και μακριά από ηλιακή ακτινοβολία. Μην φορτίζετε την μπαταρία σε εξωτερικούς χώρους. Μην φορτίζετε την μπαταρία σε συνθήκες υγρασίας.
- Ο φορτιστής της μπαταρίας πρέπει να χρησιμοποιείται μόνο σε σημεία όπου η θερμοκρασία είναι μεταξύ 5 °C (41 °F) και 40 °C (104 °F). Χρησιμοποιείτε τον φορτιστή σε περιβάλλον καλά αεριζόμενο, ξηρό και χωρίς σκόνη.
- Μην τοποθετείτε αντικείμενα μέσα στις εγκοπές αερισμού του φορτιστή της μπαταρίας.
- Μην συνδέετε ποτέ τους ακροδέκτες του φορτιστή της μπαταρίας σε μεταλλικά αντικείμενα γιατί μπορεί να προκύψει βραχυκύκλωμα του φορτιστή.

- Χρησιμοποιείτε εγκεκριμένες πρίζες που δεν έχουν υποστεί ζημιά. Βεβαιωθείτε ότι το καλώδιο τροφοδοσίας και ο φορτιστής της μπαταρίας δεν έχουν υποστεί ζημιά. Εάν χρησιμοποιείτε καλώδια επέκτασης, βεβαιωθείτε ότι δεν έχουν υποστεί ζημιά.
- Μην φορτίζετε μη επαναφορτιζόμενες μπαταρίες στους φορτιστές μπαταρίας.

Οδηγίες ασφαλείας για τη συντήρηση



ΠΡΟΕΙΔΟΠΟΙΗΣΗ: Προτού εκτελέσετε εργασίες συντήρησης στο προϊόν, διαβάστε τις παρακάτω προειδοποιητικές οδηγίες.

- Πρέπει να αφαιρείτε την μπαταρία προτού εκτελέσετε εργασίες συντήρησης, άλλους ελέγχους ή συναρμολόγηση του προϊόντος.
- Ο χειριστής πρέπει να εκτελεί μόνο τις εργασίες συντήρησης και σέρβις που υποδεικνύονται στο παρόν εγχειρίδιο χρήσης. Για πιο εκτεταμένες εργασίες συντήρησης και σέρβις, απευθυνθείτε στον τοπικό αντιπρόσωπο σέρβις.
- Μην καθαρίζετε την μπαταρία ή το φορτιστή μπαταρίας με νερό. Τα δραστικά απορρυπαντικά μπορεί να προκαλέσουν ζημιά στο πλαστικό.
- Εάν δεν κάνετε συντήρηση στο προϊόν, μειώνεται ο κύκλος ζωής του και αυξάνεται ο κίνδυνος ατυχημάτων.
- Απαιτείται ειδική εκπαίδευση για όλες τις εργασίες συντήρησης και επισκευής, ειδικά για τις διατάξεις ασφαλείας στο προϊόν. Αν δεν ολοκληρωθούν με επιτυχία όλοι οι έλεγχοι που περιγράφονται στο παρόν εγχειρίδιο χρήσης αφού κάνετε τη συντήρηση, απευθυνθείτε στον τοπικό αντιπρόσωπο σέρβις. Εγγυόμαστε ότι υπάρχει δυνατότητα επαγγελματικής επισκευής και σέρβις για το προϊόν σας.
- Χρησιμοποιείτε πάντα γνήσια ανταλλακτικά.

Συναρμολόγηση

Εισαγωγή



ΠΡΟΕΙΔΟΠΟΙΗΣΗ: Προτού συναρμολογήσετε το προϊόν, διαβάστε και κατανοήστε το κεφάλαιο για την ασφάλεια.

Τοποθέτηση του ακροφυσίου

1. Τοποθετήστε το ακροφύσιο στο μπροστινό άκρο του προϊόντος. (Εικ. 26)
2. Πιέστε προς τα μέσα το ακροφύσιο μέχρι να ακούσετε ένα κλικ.

Τοποθέτηση του φορτιστή μπαταρίας 40-C80 στον τοίχο



ΠΡΟΣΟΧΗ: Μην χρησιμοποιείτε ηλεκτρικό κατασβίδι για την τοποθέτηση του φορτιστή μπαταρίας στον τοίχο. Ένα ηλεκτρικό κατασβίδι μπορεί να προκαλέσει ζημιά στον φορτιστή μπαταρίας.

1. Τοποθετήστε τον φορτιστή μπαταρίας στον τοίχο με 2 βίδες (A). Αν χρειάζεται, χρησιμοποιήστε βύσματα τοίχου (B). (Εικ. 27)
2. Τοποθετήστε τις 2 τάπες στις οπές βιδών (C).

3. Συνδέστε το καλώδιο ρεύματος (D) στον φορτιστή μπαταρίας και σε μια πρίζα τοίχου.

Λειτουργία

Εισαγωγή



ΠΡΟΕΙΔΟΠΟΙΗΣΗ: Προτού χρησιμοποιήσετε το προϊόν, διαβάστε και κατανοήστε το κεφάλαιο για την ασφάλεια.

διαβάστε και να κατανοήσετε το κεφάλαιο σχετικά με την ασφάλεια. Πρέπει επίσης να διαβάσετε και να κατανοήσετε το εγχειρίδιο χρήσης για την μπαταρία και τον φορτιστή της μπαταρίας.

Έλεγχος λειτουργίας πριν από τη χρήση του προϊόντος

1. Κάντε έναν έλεγχο του ανοίγματος εισαγωγής αέρα για βρομιές και ρωγμές. Χρησιμοποιήστε βούρτσα για να καθαρίσετε το γρασίδι και τα φύλλα από το προϊόν. Ανατρέξτε στην ενότητα *Έλεγχος του ανοίγματος εισαγωγής αέρα στη σελίδα 87*.
2. Βεβαιωθείτε ότι το προϊόν λειτουργεί σωστά.
3. Ελέγξτε όλα τα παξιμάδια και τις βίδες και βεβαιωθείτε ότι είναι καλά σφιγμένα.

Μπαταρία



ΠΡΟΕΙΔΟΠΟΙΗΣΗ: Προτού χρησιμοποιήσετε την μπαταρία, πρέπει να

Διατηρείτε την μπαταρία και τον φορτιστή μπαταρίας στις σωστές θερμοκρασίες περιβάλλοντος.

	Θερμοκρασία περιβάλλοντος
Λειτουργία του προϊόντος	-5 °C – 40 °C / 23 °F - 104 °F
Φόρτιση μπαταρίας	5 °C – 40 °C / 41 °F - 104 °F

Ένδειξη LED μπαταρίας

Στην οθόνη εμφανίζεται η κατάσταση φόρτισης και τυχόν προβλήματα της μπαταρίας. (Εικ. 28)

Ένδειξη LED	Κατάσταση μπαταρίας (κατάσταση φόρτισης)
	40-B140
4 λυχνίες LED αναμμένες	Η μπαταρία είναι φορτισμένη κατά 76% - 100%.
3 λυχνίες LED αναμμένες	Η μπαταρία είναι φορτισμένη κατά 51% - 75%.
2 λυχνίες LED αναμμένες	Η μπαταρία είναι φορτισμένη κατά 26% - 50%.
1 λυχνία LED είναι αναμμένη	Η μπαταρία είναι φορτισμένη κατά 6% - 25%.
1 λυχνία LED αναβοσβήνει	Η μπαταρία είναι φορτισμένη κατά 0% - 5%.

Φόρτιση της μπαταρίας

Φορτίστε την μπαταρία, εάν είναι η πρώτη φορά που τη χρησιμοποιείτε. Μια καινούργια μπαταρία είναι φορτισμένη μόνο κατά 30%.



ΠΡΟΣΟΧΗ: Συνδέστε τον φορτιστή μπαταρίας σε μια πρίζα ρεύματος σύμφωνα με την τάση και τη συχνότητα που ορίζεται στην πινακίδα ονομαστικών τιμών.

Η μπαταρία δεν φορτίζεται εάν η θερμοκρασία της είναι μεγαλύτερη από 50 °C/122 °F.

1. Συνδέστε το καλώδιο της μπαταρίας στον φορτιστή.

2. Συνδέστε τον φορτιστή μπαταρίας σε μια γειωμένη πρίζα ρεύματος. Η ενδεικτική λυχνία LED φόρτισης αναβοσβήνει 1 φορά. (Εικ. 29)
3. Συνδέστε την μπαταρία στον φορτιστή. Η πράσινη ενδεικτική λυχνία LED φόρτισης ανάβει. Ο μέγιστος χρόνος φόρτισης της μπαταρίας δεν θα πρέπει να υπερβαίνει τις 24 ώρες. (Εικ. 30)
4. Πατήστε το κουμπί ένδειξης μπαταρίας. Αν ανάψουν όλες οι ενδεικτικές λυχνίες LED, η μπαταρία είναι πλήρως φορτισμένη.
5. Τραβήξτε το φως ηλεκτρικής τροφοδοσίας, για να αποσυνδέσετε τον φορτιστή μπαταρίας από την πρίζα. Μην τραβάτε το καλώδιο.
6. Αφαιρέστε την μπαταρία από το φορτιστή.

Σύνδεση της μπαταρίας στο προϊόν



ΠΡΟΕΙΔΟΠΟΙΗΣΗ: Στο προϊόν πρέπει να χρησιμοποιείτε μόνο τη συνιστώμενη μπαταρία της Husqvarna.

1. Βεβαιωθείτε ότι η μπαταρία είναι πλήρως φορτισμένη.
2. Πίεστε την μπαταρία μέσα στη θήκη της μέχρι να ακούσετε ένα κλικ. Η μπαταρία πρέπει να μετακινείται εύκολα. Εάν δεν συμβαίνει αυτό, δεν έχει εγκατασταθεί σωστά. (Εικ. 31)

Εκκίνηση του προϊόντος

1. Πατήστε παρατεταμένα το κουμπί εκκίνησης μέχρι να ανάψει η πράσινη λυχνία LED. (Εικ. 32)
2. Χρησιμοποιήστε τη σκανδάλη γκαζιού για να χειριστείτε το προϊόν.

Για να ρυθμίσετε τη βέλτιστη ροή αέρα για την εκάστοτε εργασία

- Πατήστε το κουμπί ελέγχου ταχύτητας για να ρυθμίσετε την παροχή αέρα. Υπάρχουν 3 βαθμίδες παροχής αέρα. (Εικ. 33)

Διακοπή λειτουργίας του προϊόντος

1. Αφήστε τη σκανδάλη γκαζιού.
2. Πατήστε παρατεταμένα το κουμπί λειτουργίας μέχρι να σβήσει η πράσινη λυχνία LED.
3. Πατήστε το κουμπί απασφάλισης και τραβήξτε την μπαταρία προς τα έξω. (Εικ. 34)

Λειτουργία αυτόματης απενεργοποίησης

Το προϊόν διαθέτει λειτουργία αυτόματης απενεργοποίησης με την οποία το προϊόν σταματά να λειτουργεί όταν δεν χρησιμοποιείται. Η πράσινη λυχνία LED σβήνει και το προϊόν σταματά να λειτουργεί μετά από 3 λεπτά.

Συντήρηση

Εισαγωγή



ΠΡΟΕΙΔΟΠΟΙΗΣΗ: Προτού εκτελέσετε οποιαδήποτε εργασία συντήρησης, πρέπει να διαβάσετε και να κατανοήσετε το κεφάλαιο για την ασφάλεια.

Πρόγραμμα συντήρησης



ΠΡΟΕΙΔΟΠΟΙΗΣΗ: Προτού εκτελέσετε εργασίες συντήρησης, πρέπει να αφαιρείτε την μπαταρία.

Ακολουθεί μια λίστα με τα βήματα συντήρησης που πρέπει να εκτελείτε στο προϊόν.

Συντήρηση	Καθημερι νά	Κάθε εβδομάδ α	Κάθε μήνα
Καθαρίστε το προϊόν με ένα καθαρό και στεγνό πανί. Μην χρησιμοποιείτε νερό.	X		
Βεβαιωθείτε ότι οι λαβές είναι στεγνές και καθαρές.	X		
Ελέγξτε το πληκτρολόγιο.	X		
Ελέγξτε τη σκανδάλη γκαζιού.	X		
Βεβαιωθείτε ότι τα παξιμάδια και οι βίδες είναι σφιγμένα.	X		
Βεβαιωθείτε ότι η μπαταρία δεν έχει υποστεί ζημιά.	X		
Ελέγξτε τη φόρτιση της μπαταρίας.	X		
Βεβαιωθείτε ότι το κουμπί απασφάλισης στην μπαταρία δεν έχει υποστεί ζημιά και ασφαλιζει την μπαταρία μέσα στο προϊόν.	X		
Βεβαιωθείτε ότι ο φορτιστής μπαταρίας δεν έχει υποστεί ζημιά.	X		

Συντήρηση	Καθημερι νά	Κάθε εβδομάδα	Κάθε μήνα
Βεβαιωθείτε ότι όλοι οι σύνδεσμοι, οι συνδέσεις και τα καλώδια είναι καθαρά και δεν έχουν υποστεί ζημιά.		X	
Ελέγξτε τις συνδέσεις στην μπαταρία, στον φορτιστή της μπαταρίας και στο προϊόν.			X

Έλεγχος του ανοίγματος εισαγωγής αέρα

1. Βεβαιωθείτε ότι το άνοιγμα εισαγωγής αέρα δεν είναι φραγμένο. (Εικ. 35)
2. Αν χρειάζεται, διακόψτε τη λειτουργία του προϊόντος και απομακρύνετε οποιαδήποτε ανεπιθύμητα υλικά.



ΠΡΟΣΟΧΗ: Εάν το στόμιο εισαγωγής αέρα φράξει, μειώνεται η δυνατότητα διοχέτευσης αέρα του προϊόντος και αυξάνεται η θερμοκρασία λειτουργίας του μοτέρ. Αυτό μπορεί να προκαλέσει βλάβη του μοτέρ λόγω υπερθέρμανσης.

Για να ελέγξετε την μπαταρία και το φορτιστή μπαταρίας

1. Ελέγξτε την μπαταρία για ζημιές, για παράδειγμα ρωγμές.

2. Ελέγξτε τον φορτιστή της μπαταρίας για ζημιές, για παράδειγμα ρωγμές.
3. Βεβαιωθείτε ότι το καλώδιο σύνδεσης του φορτιστή της μπαταρίας δεν έχει υποστεί ζημιά και ότι δεν παρουσιάζει ρωγμές.

Για να καθαρίσετε το προϊόν, την μπαταρία και το φορτιστή της μπαταρίας

1. Πρέπει να καθαρίζετε το προϊόν με στεγνό πανί μετά από κάθε χρήση.
2. Καθαρίστε την μπαταρία και τον φορτιστή της μπαταρίας με ένα στεγνό πανί. Διατηρήστε τις ράβδους οδήγησης της μπαταρίας καθαρές.
3. Βεβαιωθείτε ότι οι πόλοι της μπαταρίας και οι ακροδέκτες του φορτιστή της μπαταρίας είναι καθαροί προτού τοποθετήσετε την μπαταρία μέσα στο φορτιστή ή στο προϊόν.

Αντιμετώπιση προβλημάτων

Πληκτρολόγιο

Οθόνη LED	Πιθανά σφάλματα	Πιθανές λύσεις
Η κόκκινη λυχνία LED σφάλματος αναβοσβήνει	Απόκλιση θερμοκρασίας.	Αφήστε το προϊόν να κρυώσει.
	Υπάρχει βρομιά στους συνδέσμους της μπαταρίας ή ο ανεμιστήρας έχει μπλοκάρει.	Καθαρίστε με συμπιεσμένο αέρα ή μαλακή βούρτσα.
	Η μπαταρία είναι άδεια.	Φορτίστε την μπαταρία.
	Η μπαταρία έχει υποστεί ζημιά.	Απευθυνθείτε στον αντιπρόσωπο σέρβις.

Μπαταρία

Οθόνη LED	Πιθανά σφάλματα	Πιθανές λύσεις
Η πράσινη λυχνία LED αναβοσβήνει.	Χαμηλή τάση μπαταρίας.	Φορτίστε την μπαταρία.

Οθόνη LED	Πιθανά σφάλματα	Πιθανές λύσεις
Η κόκκινη λυχνία LED σφάλματος αναβοσβήνει.	Απόκλιση θερμοκρασίας.	Χρησιμοποιήστε την μπαταρία σε θερμοκρασίες περιβάλλοντος μεταξύ -5 °C – 40 °C / 23 °F - 104 °F.
	Υπερβολικά υψηλή τάση.	Βεβαιωθείτε ότι η τάση του δικτύου ρεύματος αντιστοιχεί στην τάση που αναγράφεται στην πινακίδα ονομαστικών τιμών στο προϊόν. Αφαιρέστε την μπαταρία από το φορτιστή.
Η λυχνία LED σφάλματος ανάβει σταθερά.	Υπερβολική διαφορά τάσης μεταξύ των στοιχείων της μπαταρίας (1 V).	Απευθυνθείτε στον τοπικό αντιπρόσωπο σέρβις.

Φορτιστής μπαταρίας

Οθόνη LED	Πιθανά σφάλματα	Πιθανές λύσεις
Η ενδεικτική λυχνία LED φόρτισης ανάβει σταθερά με κόκκινο χρώμα.	Ο φορτιστής μπαταρίας έχει υποστεί ζημιά.	Απευθυνθείτε στον τοπικό αντιπρόσωπο σέρβις.
Η ενδεικτική λυχνία LED φόρτισης αναβοσβήνει με πράσινο χρώμα.	Η θερμοκρασία της μπαταρίας είναι εκτός του εύρους φόρτισης.	Αφήστε την μπαταρία να κρυώσει ή προθερμάνετε την. Όταν η θερμοκρασία της μπαταρίας είναι σωστή, μπορεί να χρησιμοποιηθεί ή να φορτιστεί εκ νέου. Χρησιμοποιήστε τον φορτιστή μπαταρίας σε θερμοκρασίες περιβάλλοντος μεταξύ 5 °C – 40 °C / 41 °F - 104 °F.
Η ενδεικτική λυχνία LED φόρτισης αναβοσβήνει με κόκκινο χρώμα.	Η μπαταρία έχει υποστεί ζημιά.	Απευθυνθείτε στον αντιπρόσωπο σέρβις.

Μεταφορά, αποθήκευση και απόρριψη

Μεταφορά και αποθήκευση

- Οι παρεχόμενες μπαταρίες ιόντων λιθίου πληρούν όλες τις απαιτήσεις της νομοθεσίας περί επικίνδυνων εμπορευμάτων.
- Πρέπει να τηρείτε τις ειδικές απαιτήσεις που αναγράφονται στη συσκευασία και στις ετικέτες σχετικά με την εμπορική μεταφορά. Οι απαιτήσεις αυτές πρέπει επίσης να τηρούνται από οποιουσδήποτε τρίτους και από τους διαμετακομιστές.
- Απευθυνθείτε σε ένα άτομο ειδικά εκπαιδευμένο στα επικίνδυνα υλικά προτού στείλετε το προϊόν. Να τηρείτε όλους τους ισχύοντες εθνικούς κανονισμούς.
- Αν συσκευάσετε την μπαταρία, χρησιμοποιήστε ταινία πάνω στις ακάλυπτες επαφές. Σφηνώστε την

μπαταρία μέσα στο πακέτο, ώστε να μην μπορεί να μετακινηθεί.

- Κατά τη φύλαξη ή τη μεταφορά του προϊόντος πρέπει πάντα να αφαιρείτε την μπαταρία.
- Τοποθετήστε την μπαταρία και τον φορτιστή της μπαταρίας σε χώρο στεγνό και προστατευμένο από την υγρασία και τον παγετό.
- Μην αποθηκεύετε την μπαταρία σε χώρους όπου ενδέχεται να προκληθεί στατικός ηλεκτρισμός. Μην αποθηκεύετε την μπαταρία σε μεταλλικό κουτί.
- Να φυλάσσετε την μπαταρία σε χώρους με θερμοκρασία μεταξύ 5°C / 41°F and 25°C / 77°F και μακριά από το άμεσο ηλιακό φως.
- Να φυλάσσετε τον φορτιστή της μπαταρίας σε χώρους με θερμοκρασία μεταξύ 5 °C/41 °F and 45°C/113°F και μακριά από το άμεσο ηλιακό φως.

- Χρησιμοποιείτε τον φορτιστή μπαταρίας μόνο όταν η θερμοκρασία περιβάλλοντος κυμαίνεται μεταξύ 5 °C – 40 °C / 41 °F - 104 °F.
- Φορτίστε την μπαταρία κατά 30% έως 50% προτού την φυλάξετε για μεγάλο χρονικό διάστημα.
- Φυλάσσετε το προϊόν σε χώρους με θερμοκρασία μεταξύ -40°C/-40°F και +60°C°/140°F
- Να φυλάσσετε το φορτιστή της μπαταρίας σε χώρο κλειστό και χωρίς υγρασία.
- Μην φυλάσσετε την μπαταρία μαζί με τον φορτιστή. Μην επιτρέπετε να αγγίζουν τον εξοπλισμό παιδιά και άλλα μη εξουσιοδοτημένα άτομα. Να διατηρείτε τον εξοπλισμό σε χώρο που μπορείτε να κλειδώσετε.
- Προτού φυλάξετε το προϊόν για μεγάλο χρονικό διάστημα, πρέπει να το καθαρίζετε και να εκτελείτε πλήρες σέρβις.

- Κατά τη μεταφορά, πρέπει να στερεώνετε καλά το προϊόν.

Απόρριψη της μπαταρίας, του φορτιστή μπαταρίας και του προϊόντος

Τα σύμβολα που υπάρχουν επάνω στο προϊόν ή στη συσκευασία του υποδεικνύουν ότι το προϊόν δεν αποτελεί οικιακό απόρριμμα. Ανακυκλώστε το σε κέντρο ανακύκλωσης ηλεκτρικού και ηλεκτρονικού εξοπλισμού. Με αυτόν τον τρόπο συμβάλλετε στην προστασία του περιβάλλοντος και των ανθρώπων.

Απευθυνθείτε στις τοπικές αρχές, στην υπηρεσία αποκομιδής οικιακών απορριμμάτων ή στον αντιπρόσωπο για περισσότερες πληροφορίες σχετικά με την ανακύκλωση του προϊόντος.

Τεχνικά στοιχεία

Τεχνικά στοιχεία

	122IB
Μοτέρ	
Τύπος μοτέρ	PMDC
Βάρος	
Βάρος χωρίς μπαταρία, kg	1,9
Εκπομπές θορύβου, στάθμη θορύβου ^{16 17}	
Στάθμη ηχητικής ισχύος, μετρούμενη τιμή σε dB (A)	92,2
Στάθμη ηχητικής ισχύος, εγγυημένη L _{WA} dB (A)	93
Ισοδύναμη στάθμη ηχητικής πίεσης στα αφτιά του χειριστή, μετρημένη κατά EN IEC 62841-4-6 και ISO 22868, dB (A):	82,8
Στάθμες κραδασμών ¹⁸	
Επίπεδα δονήσεων στις λαβές, μετρημένα κατά EN IEC 62841-4-6, m/s ²	1,13
Απόδοση ανεμιστήρα	
Μέγιστη ογκομετρική παροχή, m ³ /h	865
Μέγιστη θεωρητική ταχύτητα, m/s	53
Ισχύς εκφύσησης, N	11

¹⁶ Οι εκπομπές θορύβου στο περιβάλλον, οι οποίες μετρούνται ως ηχητική ισχύς (L_{WA}) σύμφωνα με την οδηγία EK 2000/14/EK, έχουν τυπική στατιστική διασπορά (τυπική απόκλιση) 1,0 dB (A).

¹⁷ Τα καταγεγραμμένα στοιχεία για την ισοδύναμη στάθμη ηχητικής πίεσης για το μηχάνημα έχουν τυπική στατιστική διασπορά (τυπική απόκλιση) 1,3 dB (A).

¹⁸ Τα καταγεγραμμένα στοιχεία για τη στάθμη κραδασμών έχουν τυπική στατιστική διασπορά (τυπική απόκλιση) ίση με 1,5 m/s².

Τα δεδομένα για τον θόρυβο και τους κραδασμούς προσδιορίζονται με βάση τη μέγιστη ονομαστική ταχύτητα.

Περιεχόμενα Οι δηλωθείσες συνολικές τιμές κραδασμών και οι αναγραφόμενες τιμές εκπομπών θορύβου μετρήθηκαν σύμφωνα με πρότυπη μέθοδο δοκιμής και μπορούν να χρησιμοποιηθούν για τη σύγκριση μεταξύ των εργαλείων.

Περιεχόμενα Οι δηλωθείσες συνολικές τιμές κραδασμών και εκπομπών θορύβου μπορούν επίσης να

χρησιμοποιηθούν σε μια προκαταρκτική αξιολόγηση της έκθεσης.

Περιεχόμενα Οι εκπομπές θορύβου και κραδασμών κατά την πραγματική χρήση του μηχανήματος μπορεί να διαφέρουν από τη δηλωθείσα συνολική τιμή, ανάλογα με τους τρόπους χρήσης του προϊόντος. Είναι αναγκαίο να προσδιοριστούν μέτρα ασφαλείας για την προστασία του χειριστή, με βάση την εκτίμηση της έκθεσης στις πραγματικές συνθήκες χρήσης. Συμπεριλάβετε όλα τα μέρη του κύκλου λειτουργίας στην εκτίμηση, όπως τις ώρες κατά τις οποίες το προϊόν είναι απενεργοποιημένο και όταν λειτουργεί σε κατάσταση αδράνειας, επιπλέον του χρόνου ενεργοποίησης.

Εγκεκριμένες μπαταρίες για το προϊόν

Μπαταρία	40-B140
Τύπος	Ιόντων λιθίου
Χωρητικότητα μπαταρίας, Ah	Ανατρέξτε στο σήμα ονομαστικών τιμών της μπαταρίας
Ονομαστική τάση, V	36
Βάρος, kg/lb	1,25/2,76

Εγκεκριμένοι φορτιστές μπαταρίας

Φορτιστής μπαταρίας	40-C80
Τάση εισόδου, V	100-240
Συχνότητα, Hz	50-60
Ισχύς, W	72
Τάση εξόδου, V d.c/Amps, A	43 / 1,6

Δήλωση Συμμόρφωσης

Δήλωση συμμόρφωσης ΕΕ

Εμείς, η **Husqvarna AB**, SE-561 82 Huskvarna,
ΣΟΥΗΔΙΑ, τηλ.: +46-36-146500, δηλώνουμε με
αποκλειστική μας ευθύνη ότι το προϊόν:

Περιγραφή	Φυσητήρας χειρός με μπαταρία
Μάρκα	Husqvarna
Τύπος / Μοντέλο	122iB
Αναγνώριση	Αριθμοί σειράς με ημερομηνία από το 2025 και έπειτα

συμμορφώνονται με τις ακόλουθες οδηγίες και
κανονισμούς της ΕΕ, όπως έχουν τροποποιηθεί:

Κανονισμός	Περιγραφή
2006/42/ΕΚ	"σχετικά με τα μηχανήματα"
2014/30/ΕΕ	"σχετικά με την ηλεκτρομαγνητική συμβατότητα"
2011/65/ΕΕ	"σχετικά με τον περιορισμό της χρήσης ορισμένων επικίνδυνων ουσιών σε είδη ηλεκτρικού και ηλεκτρονικού εξοπλισμού"
2000/14/ΕΚ	"σχετικά με τις εκπομπές θορύβου στο περιβάλλον"

και ότι εφαρμόζονται τα παρακάτω πρότυπα ή/και
τεχνικές προδιαγραφές: EN 62841-1:2015/A11:2022, EN
IEC 62841-4-6:2024/A11:2024, EN IEC 63000:2018

EN IEC 55014-1:2021, EN IEC 55014-2:2021

Σύμφωνα με την οδηγία 2000/14/ΕΚ, παράρτημα V,
ανατρέξτε στην ενότητα *Τεχνικά στοιχεία στη σελίδα 89*
για τις δηλωθείσες τιμές ήχου.

Husqvarna, 2025-11-03

Claes Losdal, Διευθυντής Έρευνας και Ανάπτυξης
Husqvarna AB

Υπεύθυνος για την τεχνική τεκμηρίωση



Contenido

Introducción.....	92	Resolución de problemas.....	102
Seguridad.....	93	Transporte, almacenamiento y eliminación.....	103
Montaje.....	99	Datos técnicos.....	103
Funcionamiento.....	99	Declaración de conformidad.....	105
Mantenimiento.....	100		

Introducción

Descripción del producto

(Fig. 1)

1. Boquilla de soplado
2. Botón de liberación de la boquilla de soplado
3. Teclado
4. Gatillo de alimentación
5. Asa
6. Botón de encendido/apagado
7. Indicador de alimentación
8. Indicador de advertencia (LED de error)
9. Botón de control de velocidad
10. Patas
11. Botón del indicador de la batería
12. Estado de la batería
13. Indicador de advertencia de la batería
14. Botón para extraer la batería
15. Batería
16. Indicador de potencia y advertencia
17. Conector
18. Cargador de batería 40-C80
19. Manual de usuario

(Fig. 7)

Etiqueta de emisiones sonoras al medioambiente conforme con las directivas y normativas europeas, y con la regulación de 2017 sobre de protección del medioambiente (control de ruidos) (Protection of the Environment Operations - Noise Control) de la legislación de Nueva Gales del Sur. El nivel de potencia acústica garantizado del producto se especifica en *Datos técnicos en la página 103* y en la etiqueta.

(Fig. 8)

Ni el producto ni su embalaje son residuos domésticos. Recíclelos en un centro de reciclaje para equipos eléctricos y electrónicos.

(Fig. 9)

El producto cumple con las directivas CE vigentes.

(Fig. 10)

Tensión nominal, V

(Fig. 11)

Corriente continua.

Descripción del producto

El Husqvarna 122iB es un modelo de soplador con motor eléctrico.

Uso previsto

Este producto es un soplador de mano fiable y fácil de usar para todas las tareas de soplado y limpieza general en el hogar y el jardín.

Símbolos que aparecen en el producto

(Fig. 2)

ADVERTENCIA: Este producto puede ser peligroso y ocasionar daños graves o mortales tanto al usuario como a cualquier otra persona. Tenga cuidado y utilice el producto correctamente.

(Fig. 3)

Lea atentamente el manual de usuario y asegúrese de que entiende las instrucciones antes de utilizar el producto.

(Fig. 4)

Utilice protección ocular homologada.

(Fig. 5)

ADVERTENCIA: Mantenga a los transeúntes alejados.

(Fig. 6)

No exponer a la lluvia.

aaaa ssxxxx

En la placa de características técnicas se indica el número de serie. **aaaa** es el año de producción, **ss** es la semana de producción y **xxxx** es el número secuencial.

Nota: Los demás símbolos o etiquetas que aparecen en el producto corresponden a requisitos de homologación específicos en determinados mercados.

Símbolos que aparecen en la batería o en el cargador de la batería

(Fig. 12)

Transformador a prueba de fallos.

(Fig. 13)

Utilice y guarde el cargador de baterías únicamente en interiores.

(Fig. 14)

Doble aislamiento.

(Fig. 15)

Recicle el producto en un centro de reciclaje para equipos eléctricos y electrónicos. (Aplicable solo para Europa)

Daños en el producto

No nos hacemos responsables de los daños que pueda sufrir el producto si:

- El producto se ha reparado incorrectamente.
- El producto se ha reparado con piezas que no eran del fabricante o no autorizadas por el fabricante.
- El producto tiene un accesorio que no es del fabricante o no está autorizado por este.

- El producto no se ha reparado en un centro de servicio autorizado o por un organismo homologado.

Fabricante

Husqvarna AB

Drottninggatan 2, SE-561 82 Huskvarna

Seguridad

Definiciones de seguridad

Las advertencias, precauciones y notas se utilizan para destacar información especialmente importante del manual.



ADVERTENCIA: Indica un riesgo de lesiones o incluso de muerte del usuario o de las personas cercanas si no se respetan las instrucciones del manual.



PRECAUCIÓN: Indica un riesgo de daños en el producto, otros materiales o el área adyacente si no se respetan las instrucciones del manual.

Nota: Se usa para proporcionar más información necesaria en una situación determinada.

Avisos generales de seguridad para máquinas



ADVERTENCIA: Lea todas las advertencias de seguridad, instrucciones, ilustraciones y especificaciones que se incluyen con esta máquina. Si no se siguen las instrucciones que aparecen a continuación, puede producirse una descarga eléctrica, un incendio o lesiones graves.

Conservar todas las advertencias e instrucciones para su posterior consulta.

Nota: El término "máquina" empleado en las advertencias hace referencia tanto a la máquina que funciona con conexión eléctrica a la red (con cable) como a la que funciona con batería (inalámbrica).

Seguridad en el área de trabajo

- **Mantenga el área de trabajo limpia y bien iluminada.** Las zonas abarrotadas de cosas u oscuras favorecen los accidentes.

- **No utilice la máquina en entornos explosivos, como aquellos en los que hay líquidos, gases o polvo inflamables.** La máquina produce chispas que pueden inflamar el polvo o los vapores.
- **Mantenga alejados a los niños y a otras personas mientras trabaje utilice una máquina.** Las distracciones pueden hacer que pierda el control de esta.

Seguridad eléctrica

- **El enchufe de la máquina debe ser apto para la toma de corriente utilizada. Nunca modifique el enchufe. No utilice adaptadores en máquinas con conexión a tierra.** Use enchufes sin modificar y tomas de corriente del mismo tipo que estos para reducir el riesgo de descarga eléctrica.
- **Evite el contacto de su cuerpo con superficies puestas a tierra como tuberías, radiadores, cocinas y neveras,** ya que esto aumenta el riesgo de descarga eléctrica.
- **No exponga la máquina a la lluvia ni a ambientes húmedos.** Si entra agua en la máquina, aumentará el riesgo de recibir descargas eléctricas.
- **Maneje el cable con cuidado. No lo utilice nunca para transportar la máquina, tirar de ella o desenchufarla. Manténgalo alejado de fuentes de calor, aceite, aristas vivas o piezas móviles.** Los cables dañados o enredados incrementan el riesgo de descarga eléctrica.
- **Cuando trabaje con una máquina en exteriores, utilice un cable alargador apto para exteriores.** Utilizar un cable adecuado para su uso en exteriores reduce el riesgo de descarga eléctrica.
- **Si es necesario utilizar la máquina en un lugar húmedo, use un interruptor diferencial como protección.** La utilización de un interruptor diferencial reduce el riesgo de descargas eléctricas.

Seguridad personal

- **Preste atención en todo momento, fíjese en lo que está haciendo y utilice la máquina con sentido común. No utilice la máquina si está cansado o bajo los efectos de estupefacientes, alcohol o medicamentos.** Un momento de descuido puede causar lesiones graves.
- **Utilice el equipo de protección personal. Use siempre protección ocular.** Los equipos de

protección, como la mascarilla antipolvo, el calzado de seguridad antideslizante, el casco o los protectores auriculares utilizados en las condiciones adecuadas, reducirán el riesgo de lesiones.

- **Evite la puesta en marcha accidental de la herramienta. Asegúrese de que el interruptor esté en la posición de apagado antes de conectar la máquina a la fuente de alimentación o la batería, cogerla o transportarla.** Transportar la máquina con el dedo puesto sobre el interruptor o conectar la alimentación con el interruptor en la posición de encendido puede provocar accidentes.
- **Retire todas las llaves de ajuste o herramientas antes de encender la máquina.** Si se deja una llave de tuercas o herramienta colocada en una pieza giratoria de la máquina, se pueden producir lesiones.
- **No se estire demasiado. Mantenga una posición correcta y el equilibrio en todo momento.** Así podrá controlar mejor la máquina en situaciones imprevistas.
- **Utilice la ropa adecuada. No utilice nunca ropa amplia ni joyas. Mantenga el pelo y la ropa alejados de las piezas móviles.** La ropa holgada, las joyas o el pelo largo pueden quedar atrapados en las piezas móviles.
- **Si se suministran equipos de aspiración o captación de polvo, asegúrese de que estén conectados y se utilicen correctamente.** El uso de estos equipos puede reducir los riesgos derivados del polvo.
- **Evite que la familiaridad adquirida con el uso frecuente de la máquina le lleve a confiarse e ignorar los principios de seguridad.** Una acción negligente puede causar lesiones graves en una fracción de segundo.

Uso y mantenimiento de la máquina

- **No sobrecargue la máquina. Utilice la máquina adecuada para el trabajo que deba realizar.** Con la máquina apropiada hará el trabajo mejor y con mayor seguridad a la potencia para la que fue diseñada.
- **No utilice la máquina si el interruptor de encendido y apagado no funciona.** Las máquinas que no se puedan controlar con el interruptor son peligrosas y deben repararse.
- **Desconecte el enchufe de la fuente de alimentación o quite la batería de la máquina, si se puede, antes de realizar cualquier ajuste, cambiar accesorios o guardar la máquina.** Las medidas de seguridad preventivas reducen el riesgo de poner en marcha la máquina de forma accidental.
- **Si no utiliza la máquina, guárdela fuera del alcance de los niños y no permita que personas no familiarizadas con su uso o con estas instrucciones la manejen.** La máquina puede ser peligrosa en manos de usuarios no cualificados.
- **Efectúe el mantenimiento de la máquina y de los accesorios. Compruebe que no haya partes móviles mal alineadas o trabadas, piezas rotas o**

cualquier otra circunstancia que pueda afectar al funcionamiento de la máquina. Si detecta daños, lleve la máquina a reparar antes de usarla. Muchos accidentes se deben al uso de máquinas que carecen de un mantenimiento adecuado.

- **Mantenga las máquinas de corte afiladas y limpias.** Las máquinas de corte bien afiladas y con un mantenimiento adecuado tienen menos probabilidades de trabarse y son más fáciles de controlar.
- **Utilice la máquina, los accesorios, los útiles, etc., según se indica en estas instrucciones, teniendo en cuenta las condiciones de trabajo y la tarea que debe realizar.** El uso de la máquina para trabajos distintos a aquellos para los que fue diseñada podría dar lugar a situaciones peligrosas.
- **Mantenga las asas y superficies de agarre secas, limpias y sin aceite ni grasa.** Si las asas y las superficies de agarre están resbaladizas, no podrá manejar ni controlar de forma segura la máquina ante cualquier imprevisto.

Uso y cuidados de la herramienta a batería

- **Efectúe las recargas únicamente con el cargador especificado por el fabricante.** Un cargador apto para un tipo de batería puede comportar riesgo de incendio al utilizarse con otra batería distinta.
- **Utilice las máquinas exclusivamente con las baterías específicas para ellas.** El uso de otra batería puede comportar riesgo de lesiones e incendio.
- **Cuando no utilice la batería, manténgala alejada de objetos metálicos pequeños que puedan conectar un terminal con otro, como clips, monedas, llaves, clavos, tornillos, etc.** Un cortocircuito en los terminales de la batería puede causar quemaduras o un incendio.
- **En condiciones extremas, el líquido puede salir expulsado de la batería; evite cualquier contacto con él. Si se produjera un contacto accidentalmente, enjuáguese con agua. Además, si el líquido entra en contacto con los ojos, busque asistencia médica.** El líquido expulsado de la batería puede causar irritaciones o quemaduras.
- **No utilice baterías o máquinas dañadas o modificadas.** Las baterías dañadas o modificadas pueden comportarse de forma impredecible y provocar incendios, explosiones o lesiones.
- **No exponga la batería o la máquina al fuego ni a temperaturas excesivas.** La exposición al fuego o a temperaturas superiores a 130 °C (265 °F) puede causar una explosión.
- **Siga todas las instrucciones de carga y no cargue la batería o la máquina fuera del intervalo de temperaturas especificado en las instrucciones.** La carga incorrecta o a temperaturas fuera del intervalo especificado puede dañar la batería y aumentar el riesgo de incendio.

Mantenimiento

- **Las tareas de mantenimiento de la máquina solo deben llevarlas a cabo los técnicos cualificados que utilicen piezas de repuesto originales.** Esto garantizará la seguridad de la máquina.
- **No realice ningún mantenimiento en baterías dañadas.** La revisión y reparación de las baterías solo debe realizarla el fabricante o proveedores de servicios autorizados.

Advertencias de seguridad del soplador

- **No utilice el soplador con condiciones meteorológicas adversas, especialmente si hay riesgo de tormenta eléctrica.** Así disminuirá el riesgo de recibir un rayo.
- **Utilice protección ocular.** El uso de un equipo de protección adecuado reducirá el riesgo de lesiones.
- **Durante el funcionamiento del soplador, use siempre calzado antideslizante y de protección. No utilice el soplador sin calzado o con sandalias abiertas.** Así reducirá el riesgo de sufrir lesiones en los pies.
- **No lleve ropa holgada ni artículos como bufandas, cordones, cadenas, corbatas, etc., que puedan introducirse en las tomas de aire. Recójase o cúbrase el pelo largo para asegurarse de que no se introduce en las tomas de aire.** Si alguno de estos elementos se introduce en las tomas de aire, puede aumentar el riesgo de sufrir lesiones.
- **Manténgase alejado de los transeúntes mientras utiliza el soplador.** Los restos que salen despedidos pueden aumentar el riesgo de sufrir lesiones.
- **No oriente nunca la boquilla del soplador hacia personas o animales ni hacia las ventanas. Tenga especial cuidado al soplar restos cerca de objetos sólidos, como árboles, automóviles y paredes, ya que pueden provocar que los restos reboten.** Los objetos que salen despedidos pueden dañar la propiedad y aumentar el riesgo de sufrir lesiones.
- **No utilice el soplador sobre objetos que estén ardiendo o humeando, como cigarrillos, cerillas o cenizas calientes.** Estas fuentes de ignición pueden aumentar el riesgo de incendio.
- **No toque el impulsor mientras esté en movimiento. Apague el soplador y espere hasta que se detenga antes de retirar cualquier pieza que permita el acceso al impulsor.** Así reducirá el riesgo de sufrir lesiones por contacto con piezas móviles.
- **Cuando retire material atascado o realice tareas de mantenimiento en el soplador, asegúrese de que el interruptor de alimentación esté apagado.** El accionamiento inesperado del soplador mientras retira el material atascado o efectúa tareas de mantenimiento puede provocar lesiones graves.

Instrucciones generales de seguridad



ADVERTENCIA: Lea las siguientes instrucciones de advertencia antes de utilizar el producto.

- Este producto es una herramienta peligrosa si se usa incorrectamente o si no se tiene cuidado. Puede causar lesiones graves o incluso la muerte si no siguen las instrucciones de seguridad.
- Este producto genera un campo electromagnético durante el funcionamiento. Este campo magnético puede, en determinadas circunstancias, interferir con implantes médicos activos o pasivos. Para reducir el riesgo de que se den condiciones que provocarían lesiones graves o letales, las personas que utilizan implantes médicos deben consultar con su médico y con el fabricante del implante antes de poner en marcha este producto.
- Proceda siempre con cuidado y utilice el sentido común. Si no está seguro de cómo manejar el producto en una situación en particular, pare y consulte con su distribuidor Husqvarna antes de continuar.
- Tenga en cuenta que el usuario será el responsable de los accidentes que involucren a otras personas o a su propiedad.
- Mantenga el producto limpio. Asegúrese de que puede leer claramente las etiquetas.
- No permita que niños ni adultos que no estén familiarizados con estas instrucciones utilicen el aparato. La legislación local puede restringir la edad del usuario.
- Si una persona con discapacidad física o mental usa el producto, asegúrese de supervisarla en todo momento. Debe haber presente en todo momento una persona mayor de edad responsable.
- No utilice el producto si está cansado, enfermo o si se encuentra bajo los efectos de alcohol, drogas o medicamentos. Esto tiene un efecto negativo en su visión, capacidad de reacción, coordinación y capacidad de decisión.
- No utilice el producto si está dañado o no funciona correctamente.
- No modifique este producto ni lo utilice si puede haber sido modificado por otras personas.

Seguridad en el trabajo



ADVERTENCIA: Lea las siguientes instrucciones de advertencia antes de utilizar el producto.

- Utilice el equipo de protección personal. Consulte *Equipo de protección individual en la página 97.*
- Asegúrese de que sabe cómo detener el motor rápidamente en caso de emergencia.

- No utilice el producto bajo la lluvia ni en ambientes húmedos. El riesgo de sacudida eléctrica aumenta si entra agua en el producto.
- Manténgase siempre detrás del producto durante su uso.
- Nunca levante el producto con el motor en marcha. Si tiene que levantar el producto, detenga el motor y extraiga la batería.
- No camine hacia atrás mientras utiliza el producto.
- Pare el motor cuando sea necesario inclinar el producto para transportarlo o para llevarlo por zonas sin hierba, como caminos de grava, piedra o asfalto.
- No corra con el producto con el motor en marcha. Camine siempre mientras utiliza el producto.
- Las vibraciones del producto durante el funcionamiento pueden ser diferentes del valor de vibraciones declarado en *Datos técnicos en la página 103*. La diferencia se debe a las variaciones en la forma en la que se utiliza el producto. Si utiliza el producto con frecuencia o durante largos periodos de tiempo, haga descansos con frecuencia para evitar lesiones por vibraciones.

Instrucciones de seguridad para el funcionamiento



ADVERTENCIA: Lea las siguientes instrucciones de advertencia antes de utilizar el producto.

- Si se encuentra en una situación en la que no está seguro de cómo proceder, consulte a un experto. Póngase en contacto con su distribuidor o taller de servicio. Evite todo uso para el que no se sienta suficientemente cualificado.
- Compruebe que pueda caminar y mantenerse de pie con seguridad. Examine la zona a su alrededor en busca de posibles obstáculos (raíces, piedras, ramas, zanjas, etc.) en caso de que tenga que moverse rápidamente. Proceda con sumo cuidado al trabajar en terreno inclinado.
- Asegúrese de que mantiene una postura equilibrada y estable, con los pies firmemente apoyados en el suelo, en todo momento. No se estire demasiado.
- Cuando use protectores auriculares, preste siempre atención a las señales o llamadas de advertencia. Quítese siempre los protectores auriculares en cuanto se detenga el motor del producto.
- No utilice el producto cerca de una ventana abierta.
- Sea considerado con las personas en las proximidades y no utilice el producto a horas inadecuadas, por ejemplo a última hora de la tarde o muy temprano por la mañana. Cumpla las normativas locales.
- Utilice el producto con el menor caudal de aire posible. El caudal de aire máximo se requiere en casos muy excepcionales; la mayoría de las tareas pueden realizarse con la mitad del caudal. Un caudal de aire más bajo implica menos ruido y

- polvo. Además, se obtiene un mejor control de la basura que se desea agrupar o mover.
- Cuando utilice el producto en condiciones de polvo, humedezca ligeramente la superficie.
- Utilice un rastrillo o una escoba para aflojar basura adherida al suelo.
- Mantenga la boca del soplador lo más cerca posible del suelo.
- Preste atención a su entorno: No dirija el producto hacia personas, animales, parques infantiles, automóviles, etc.
- Reduzca al mínimo el tiempo de soplado humedeciendo ligeramente las zonas con polvo o utilizando un pulverizador.
- Controle la dirección del viento. Trabajar en la dirección del viento facilita el trabajo.
- Detenga el producto si empieza a vibrar de manera anómala y extraiga la batería.
- Utilizar el soplador de hojas para mover grandes pilas de basura/hojas causa un ruido innecesario.
- Deje el lugar limpio después de trabajar. Asegúrese de no soplar residuos hacia terrenos ajenos.
- No corra con el producto.
- La fuerte corriente de aire puede mover objetos a gran velocidad, haciéndolos rebotar y causando heridas graves en los ojos.

(Fig. 16)

- No dirija el chorro de aire hacia personas ni animales.
- Detenga el motor antes de montar o desmontar los accesorios u otros componentes.
- Mantenga todas las partes del cuerpo alejadas de las superficies calientes.
- No apoye nunca el producto con el motor en marcha sin tenerlo bajo control.
- El soplador no se debe utilizar mientras se está subido en escaleras ni andamios.

(Fig. 17)

- No use el producto a no ser que sea capaz de pedir ayuda en caso de accidente.
- Cuidado con los objetos que salen despedidos. La máquina puede despedir piedras, basura, etc. contra los ojos y causar ceguera o heridas graves.
- Utilice un interruptor diferencial (RCD) para aumentar la seguridad mientras se carga el producto. Se ha incorporado un interruptor diferencial para proteger al usuario en caso de fallo eléctrico.
- Este producto es conocido por su bajo nivel de vibraciones. La sobreexposición a las vibraciones puede provocar daños circulatorios y nerviosos, especialmente en personas con problemas de circulación. Acuda a un médico si nota síntomas corporales que puedan relacionarse con la sobreexposición a las vibraciones. Ejemplos de estos síntomas son: entumecimiento, pérdida de sensibilidad, hormigueo, punzadas, dolor, pérdida

o reducción de la fuerza normal, y cambios en el color o la superficie de la piel. Estos síntomas se presentan normalmente en dedos, manos y muñecas.

- Utilice el producto solamente para el uso al que está destinado.
- Es imposible abarcar todas las situaciones que pueden darse. Utilice siempre el equipo con cuidado y sentido común. Evite todas aquellas situaciones que considere que sobrepasan sus capacidades. Si, después de leer estas instrucciones, no está seguro del procedimiento que debe seguir, consulte a un experto antes de continuar.
- Utilice siempre las dos manos para sostener el producto. Mantenga el producto a un lado del cuerpo.

(Fig. 18)

Equipo de protección individual



ADVERTENCIA: Lea las siguientes instrucciones de advertencia antes de utilizar el producto.

- Para trabajar con el producto, debe utilizar siempre un equipo de protección individual homologado. El equipo de protección individual no elimina completamente el riesgo de lesiones, pero reduce la gravedad de estas en caso de accidente. Deje que el distribuidor le ayude a seleccionar el equipo adecuado.
- Utilice protectores auriculares homologados.

(Fig. 19)

- Utilice protección ocular homologada. Si se utiliza visor, deben utilizarse también gafas protectoras homologadas. Por gafas protectoras homologadas se entienden las que cumplen con la norma ANSI Z87.1 para EE. UU. o EN 166 para países de la UE.

(Fig. 20)

- Utilice guantes cuando sea necesario.

(Fig. 21)

- Use botas de protección con puntera de acero y suela antideslizante.

(Fig. 22)

- Use indumentaria de material resistente. Use siempre pantalones largos y gruesos, y mangas largas. No lleve ropa suelta que pueda quedar atrapada en los arbustos y ramas. No utilice joyas, pantalones cortos ni sandalias. No trabaje descalzo. Recójase el pelo por encima de los hombros.
- Mantenga el equipo de primeros auxilios cerca.

(Fig. 23)

Dispositivos de seguridad en el producto



ADVERTENCIA: Lea las siguientes instrucciones de advertencia antes de utilizar el producto.

- En este apartado se describen los componentes de seguridad del producto, su función y el modo de efectuar el control y el mantenimiento para garantizar un funcionamiento óptimo. Consulte las instrucciones bajo el epígrafe *Descripción del producto en la página 92* para ver dónde están situados estos componentes en su producto.
- La vida útil del producto puede acortarse y el riesgo de accidentes puede aumentar si el mantenimiento no se hace de forma adecuada y si los trabajos de servicio y reparación no se efectúan de forma profesional. Si necesita más información, solicítela al distribuidor de su zona.
- No emplee nunca un producto cuyos componentes de seguridad estén dañados. Efectúe la inspección y el mantenimiento del equipo de seguridad del producto tal como se describe en este apartado. Si el producto no supera cualquiera de estas pruebas, póngase en contacto con el taller de servicio para repararlo.
- Todos los trabajos de servicio y reparación del producto requieren una formación especial. Esto es especialmente importante en lo que respecta al equipo de seguridad del producto. Si el producto no pasa alguno de los controles indicados a continuación, acuda a su taller de servicio. La compra de alguno de nuestros productos le garantiza que puede recibir un mantenimiento y servicio profesional. Si no ha adquirido el producto en uno de nuestros distribuidores, solicite información sobre el taller de servicio autorizado más cercano.

Comprobación del teclado

1. Mantenga pulsado el botón de encendido/apagado (A) hasta que se encienda el indicador de alimentación (B). (Fig. 24)
2. Consulte *Resolución de problemas en la página 102* si el indicador de advertencia (C) se enciende o parpadea.

Comprobación del gatillo de alimentación

- Presione y suelte el gatillo de alimentación para asegurarse de que se mueve con facilidad. (Fig. 25)

Seguridad de la batería



ADVERTENCIA: Lea las siguientes instrucciones de advertencia antes de utilizar el producto.

- Le recomendamos que use la batería 40-B series. Las baterías están encriptadas mediante software.

- Utilice la batería recargable 40-B series como fuente de alimentación solo para los productos Husqvarna relacionados. Para evitar lesiones, no utilice la batería como fuente de alimentación de otros dispositivos.
- Riesgo de descarga eléctrica. Evite que los terminales de la batería entren en contacto con llaves, tornillos u otros objetos metálicos. Esto puede provocar un cortocircuito en la batería.
- No utilice baterías que no sean recargables.
- No coloque objetos en las ranuras de ventilación de la batería.
- Mantenga la batería lejos de la luz directa del sol, de fuentes de calor o de las llamas. La batería puede provocar quemaduras o quemaduras químicas.
- Mantenga la batería resguardada de la lluvia y la humedad.
- Mantenga la batería lejos de microondas y fuentes de alta presión.
- No intente desmontar o romper la batería.
- No permita que el ácido de la batería entre en contacto con la piel. El ácido de la batería provoca lesiones en la piel, corrosión y quemaduras. Si el ácido de la batería entra en contacto con los ojos, no los frote: enjuáguelos con agua abundante durante al menos 15 minutos. Si el ácido de la batería ha entrado en contacto con la piel, lávela con agua abundante y jabón. Busque asistencia médica.
- Utilice la batería con temperaturas entre -10 °C (14 °F) y 40 °C (104 °F).
- No limpie la batería ni el cargador con agua. Consulte *Para limpiar el producto, la batería y el cargador de la batería en la página 101.*
- No utilice una batería dañada.
- Guarde la batería alejada de objetos metálicos, como clavos, tornillos o joyas.
- Mantenga la batería alejada de los niños.
- Mantenga todos los cables y alargadores alejados de agua, aceite y bordes afilados. Proceda con cuidado para evitar que el cable se enganche en objetos como puertas, vallas o similares.
- No utilice el cargador de batería cerca de materiales inflamables o corrosivos. Asegúrese de que el cargador de batería no está cubierto. Desenchufe el cargador de batería si produce humo o se incendia.
- Cargue la batería solo en interiores, en un lugar con buena ventilación y lejos de la luz solar directa. No cargue la batería en el exterior. No cargue la batería en un entorno húmedo.
- Utilice solamente el cargador de batería a temperaturas entre 5 °C (41 °F) y 40 °C (104 °F). Utilice el cargador en un entorno ventilado, seco y sin polvo.
- No cubra las ranuras de ventilación del cargador.
- Evite que los terminales del cargador de batería entren en contacto con objetos metálicos: pueden cortocircuitar el cargador.
- Utilice tomas de corriente homologadas y que estén en buen estado. Asegúrese de que el cable de alimentación del cargador de batería no esté dañado. Si utiliza cables de extensión, asegúrese de que no estén dañados.
- No intente cargar baterías no recargables en los cargadores de batería.

Instrucciones de seguridad para el mantenimiento



ADVERTENCIA: Lea las instrucciones de advertencia siguientes antes de realizar el mantenimiento del producto.

- Retire la batería antes de realizar tareas de mantenimiento, otras comprobaciones o montar el producto.
- El usuario debe realizar solo el mantenimiento y las reparaciones indicadas en este manual. Acuda a su taller de servicio autorizado para las tareas de mantenimiento y reparaciones más importantes.
- No limpie la batería o el cargador con agua. Los detergentes agresivos pueden provocar daños en el plástico.
- Si no se realiza el mantenimiento, el ciclo de vida del producto disminuye y aumenta el riesgo de accidentes.
- Para realizar todos los trabajos de mantenimiento y reparación, especialmente en los dispositivos de seguridad en el producto, es necesaria una formación especial. Si no están aprobadas todas las comprobaciones de este manual de usuario después de realizar tareas de mantenimiento, acuda al taller de su distribuidor local. Le garantizamos que realizarán reparaciones y mantenimiento profesionales en su producto.
- Utilice únicamente piezas de repuesto originales.

Seguridad del cargador de batería



ADVERTENCIA: Lea las siguientes instrucciones de advertencia antes de utilizar el producto.

- Existe riesgo de descarga eléctrica o cortocircuito si no se siguen las instrucciones de seguridad.
- No utilice cargadores de batería diferentes al suministrado con su producto. Utilice únicamente cargadores 40-C80 cuando cargue las baterías de repuesto de la serie 40-B.
- No intente desmontar el cargador de batería.
- No utilice un cargador de batería que esté dañado o que no funcione correctamente.
- No levante el cargador de batería tirando del cable de alimentación. Para desconectar el cargador de batería de la toma de corriente, tire del enchufe. No tire del cable de alimentación.

Montaje

Introducción



ADVERTENCIA: Asegúrese de leer y comprender el capítulo sobre seguridad antes de montar el producto.

Instalación de la boquilla

1. Coloque la boquilla en el extremo delantero del producto. (Fig. 26)
2. Presione la boquilla hasta que oiga un clic.

Instalación del cargador de batería 40-C80 en la pared



PRECAUCIÓN: No utilice un destornillador eléctrico para instalar el cargador de batería en la pared, ya que puede provocar daños en el cargador de batería.

1. Instale el cargador de batería en la pared con los 2 tornillos (A). Utilice tacos (B) si es necesario. (Fig. 27)
2. Instale los 2 tapones en los orificios de los tornillos (C).
3. Conecte el cable de alimentación (D) al cargador de batería y a una toma de corriente.

Funcionamiento

Introducción



ADVERTENCIA: Asegúrese de leer y comprender el capítulo sobre seguridad antes de usar el producto.

sobre seguridad. También debe leer y comprender el manual de usuario de la batería y el cargador de batería.

Prueba de funcionamiento antes de utilizar el producto

1. Compruebe la toma de aire en busca de suciedad o grietas. Utilice un cepillo y limpie los restos de hierba y hojas del producto. Consulte *Revisión de la toma de aire en la página 101*.
2. Compruebe que el producto funciona correctamente.
3. Realice una comprobación de todas las tuercas y tornillos y asegúrese de que están apretados.

Mantenga la batería y el cargador de batería en lugares con una temperatura ambiente correcta.

	Temperatura ambiente
Funcionamiento del producto	-5 °C – 40 °C / 23 °F - 104 °F
Carga de la batería	5 °C – 40 °C / 41 °F - 104 °F

Batería



ADVERTENCIA: Antes de usar la batería, debe leer y entender el capítulo

Indicador LED de carga de la batería

El display muestra el estado de carga y si hay algún problema con la batería. (Fig. 28)

Indicador LED	Estado de la batería (estado de carga)
	40-B140
4 testigos LED encendidos	La batería tiene una carga del 76 % al 100 %.
3 testigos LED encendidos	La batería tiene una carga del 51 % al 75 %.

Indicador LED	Estado de la batería (estado de carga)
2 testigos LED encendidos	La batería tiene una carga del 26 % al 50 %.
1 testigo LED encendido	La batería tiene una carga del 6 % al 25 %.
1 testigo LED parpadeando	La batería tiene una carga del 0 % al 5 %.

Carga de la batería

Cargue la batería si es la primera vez que la utiliza. Una batería nueva solo tiene una carga del 30 %.



PRECAUCIÓN: Conecte el cargador de batería a una toma de corriente cuya tensión y frecuencia coincidan con los valores indicados en la placa de características técnicas.

La batería no se cargará si su temperatura es superior a 50 °C/122 °F.

1. Conecte el cable de alimentación al cargador de batería.
2. Conecte el cargador de batería a una toma de corriente con conexión a tierra. El LED de carga parpadea una vez. (Fig. 29)
3. Conecte la batería al cargador. El LED de carga se enciende. Cargue la batería durante un máximo de 24 horas. (Fig. 30)
4. Pulse el botón del indicador de estado de la batería; si se encienden todos los testigos LED, la batería está completamente cargada.
5. Tire del enchufe o del conector para desconectar el cargador de batería de la toma de corriente. No tire del cable de alimentación.
6. Retire la batería del cargador.

Conexión de la batería al producto



ADVERTENCIA: Utilice solo la batería Husqvarna recomendada en el producto.

1. Asegúrese de que la batería está completamente cargada.
2. Inserte la batería en el soporte de la batería hasta que oiga un clic. La batería debe moverse con facilidad. De lo contrario, no está instalada correctamente. (Fig. 31)

Encendido del producto

1. Mantenga pulsado el botón de arranque hasta que el LED verde se encienda. (Fig. 32)
2. Utilice el gatillo de alimentación para hacer funcionar el producto.

Ajuste del caudal de aire óptimo para su trabajo

- Pulse el botón de control de velocidad para ajustar el caudal de aire. Hay 3 niveles de caudal de aire. (Fig. 33)

Parada del producto

1. Suelte el gatillo de alimentación.
2. Mantenga pulsado el botón de alimentación hasta que el LED verde se apague.
3. Presione el botón de liberación y tire de la batería hacia fuera. (Fig. 34)

Función de parada automática

El producto cuenta con una función de parada automática que lo detiene si no se está utilizando. El LED verde del indicador de alimentación se apaga y el producto se detiene al cabo de 3 minutos.

Mantenimiento

Introducción



ADVERTENCIA: Antes de realizar cualquier trabajo de mantenimiento, debe leer y entender el capítulo sobre seguridad.

Programa de mantenimiento



ADVERTENCIA: Extraiga la batería antes de realizar tareas de mantenimiento.

A continuación incluimos una lista con los pasos de mantenimiento que hay que efectuar en el producto.

Mantenimiento	Diario	Semanal	Mensual
Limpie el producto con un paño limpio y seco. No utilice agua.	X		
Asegúrese de que las asas están limpias y secas.	X		
Revise el teclado.	X		
Revise el gatillo de alimentación.	X		
Asegúrese de que las tuercas y los tornillos están bien apretados.	X		
Asegúrese de que la batería no esté dañada.	X		
Compruebe la carga de la batería.	X		
Compruebe que el botón de liberación de la batería no presente daños y si fija la batería en el producto.	X		
Asegúrese de que el cargador de batería no esté dañado.	X		
Compruebe que todos los acoplamientos, las conexiones y los cables estén limpios y que no presenten daños.		X	
Realice una comprobación de las conexiones de la batería, el cargador de la batería y el producto.			X

Revisión de la toma de aire

1. Asegúrese de que la toma de aire no esté obstruida. (Fig. 35)
2. Si fuese necesario, detenga el producto y retire el material no deseado.



PRECAUCIÓN: Una toma de aire obstruida disminuye la capacidad de soplado del producto y aumenta la temperatura de trabajo del motor. Esto puede provocar el fallo del motor por calentamiento excesivo.

Para examinar la batería y el cargador de la batería

1. Examine la batería en busca de daños, por ejemplo, grietas.

2. Examine el cargador en busca de daños, por ejemplo, grietas.
3. Asegúrese de que el cable de alimentación del cargador de la batería no esté dañado ni agrietado.

Para limpiar el producto, la batería y el cargador de la batería

1. Limpie el producto con un paño seco después de su uso.
2. Limpie la batería y cargador de batería con un paño limpio y seco. Mantenga las guías de la batería limpias.
3. Asegúrese de que los terminales de la batería y del cargador estén limpios antes de colocar la batería en el cargador o en el producto.

Resolución de problemas

Teclado

Display LED	Posibles errores	Posibles soluciones
El LED rojo de error parpadea.	Desviación de la temperatura.	Deje enfriar el producto.
	Hay suciedad en los conectores de la batería o el impulsor está bloqueado.	Límpielos con aire comprimido o con un cepillo de cerdas suaves.
	La batería está descargada.	Cargue la batería.
	La batería está dañada.	Póngase en contacto con su taller de servicio.

Batería

Display LED	Posibles errores	Posibles soluciones
El LED verde parpadea.	Tensión de la batería baja.	Cargue la batería.
El LED de error parpadea.	Desviación de la temperatura.	Utilice la batería con temperaturas entre -5 °C – 40 °C / 23 °F - 104 °F.
	Tensión demasiado alta.	Asegúrese de que la tensión de la red eléctrica se corresponde con la que figura en la placa de características del producto. Retire la batería del cargador.
El LED de error está encendido.	La diferencia entre las celdas es demasiado grande (1 V).	Acuda a su taller de servicio autorizado.

Cargador de batería

Display LED	Posibles errores	Posibles soluciones
El indicador LED de carga se ilumina en rojo fijo.	El cargador de batería está dañado.	Acuda a su taller de servicio autorizado.
El indicador LED de carga parpadea en verde.	La temperatura de la batería está fuera del intervalo de carga.	Deje que la batería se enfríe o se caliente. Cuando la batería tenga la temperatura correcta, podrá usarse o cargarse. Utilice el cargador de batería a temperaturas ambiente entre 5 °C – 40 °C / 41 °F - 104 °F.
El indicador LED de carga parpadea en rojo.	La batería está dañada.	Acuda a su taller de servicio autorizado.

Transporte, almacenamiento y eliminación

Transporte y almacenamiento

- Las baterías de iones de litio incluidas cumplen los requisitos de la normativa sobre mercancías peligrosas.
- Siga el requisito especial indicado en el paquete y en las etiquetas para el transporte comercial, incluso por terceros y agentes de transporte.
- Hable con alguien con formación especial en materiales peligrosos antes de enviar el producto. Respete todas las normativas nacionales aplicables.
- Cubra con cinta los contactos abiertos cuando ponga la batería en un paquete. Embale bien la batería en el paquete para evitar que se mueva.
- Extraiga la batería si va a guardar o transportar el producto.
- Coloque la batería y el cargador en un lugar seco y protegido de la humedad y las heladas.
- No almacene la batería en lugares donde pueda generarse electricidad estática. No guarde la batería en una caja metálica.
- Guarde la batería a una temperatura entre 5°C / 41°F and 25°C / 77°F, y protegida de la luz directa del sol.
- Guarde el cargador de batería a una temperatura entre 5°C/41°F and 45°C/113°F, y protegido de la luz directa del sol.
- Utilice el cargador de la batería únicamente cuando la temperatura ambiente se encuentre entre 5°C – 40°C / 41°F - 104°F.

- Cargue la batería entre el 30 % y el 50 % antes de guardarla durante periodos de tiempo prolongados.
- Cuando guarde el producto, hágalo en un lugar cuya temperatura esté entre -40 °C y 60 °C (-40 °F y 140 °F).
- Guarde el cargador de batería en un espacio cerrado y seco.
- Cuando guarde la batería, manténgala alejada del cargador. No permita que los niños ni otras personas no autorizadas toquen el equipo. Guarde el equipo en un lugar que pueda cerrarse con llave.
- Limpie el producto y realice un mantenimiento completo antes de guardarlo durante un periodo de tiempo prolongado.
- Fije el producto firmemente durante el transporte.

desecho de la batería, el cargador y el producto

Los símbolos del producto o del embalaje del producto indican que este producto no es un residuo doméstico. Recíclolo en un centro de reciclaje para equipos eléctricos y electrónicos. Esto ayudará a evitar dañar el medioambiente y las personas.

Póngase en contacto con las autoridades locales, el servicio de residuos domésticos o su distribuidor para obtener más información acerca de cómo reciclar su producto.

Datos técnicos

Datos técnicos

	1221B
Motor	
Tipo de motor	PMDC
Peso	
Peso sin batería, kg	1,9
Emisiones sonoras, niveles sonoros , ^{19 20}	
Nivel de potencia acústica medido, dB(A)	92,2
Nivel de potencia acústica garantizado L _{WA} dB(A)	93

¹⁹ Las emisiones sonoras en el entorno medidas como potencia acústica (L_{WA}) de conformidad con la Directiva 2000/14/CE de la CE, tienen una dispersión estadística típica (desviación estándar) de 1,0 dB(A).

²⁰ Los datos referidos al nivel de presión sonora equivalente de la máquina tienen una dispersión estadística típica (desviación estándar) de 1,3 dB(A).

	122iB
Nivel de presión sonora equivalente en el oído del usuario, medido conforme a EN IEC 62841-4-6 e ISO 22868, dB (A):	82,8
Niveles de vibración ²¹	
Niveles de vibración en las asas, medidos conforme a EN IEC 62841-4-6, m/s ²	1,13
Rendimiento del impulsor	
Caudal volumétrico máximo, m ³ /h	865
Velocidad teórica máxima, m/s	53
Fuerza de soplado, N	11

Los datos de vibración y ruido se determinan atendiendo a la velocidad máxima nominal.

Nota: El valor total declarado de vibración y los valores declarados de emisión de ruido se han medido conforme a un método de ensayo normalizado y pueden utilizarse para comparar una herramienta con otra.

Nota: El valor total declarado de vibración y los valores declarados de emisión sonora pueden utilizarse en una evaluación preliminar de la exposición.

Nota: Las emisiones sonora y de vibración durante el uso de la máquina pueden ser diferentes del valor indicado en función del uso que se haga de la misma. Es necesario identificar las medidas de seguridad para proteger al usuario, basándose en una estimación de la exposición en las condiciones reales de uso. Incluya todas las partes del ciclo de funcionamiento en la estimación, como las horas en las que el producto está apagado y los periodos de funcionamiento al ralentí, además del tiempo de activación.

Baterías homologadas para el producto

Batería	40-B140
Tipo	Ion-litio
Capacidad de la batería, Ah	Consulte la etiqueta que indica la potencia de la batería
Tensión nominal, V	36
Peso, kg/lb	1,25/2,76

Cargadores de batería homologados

Cargador de batería	40-C80
Tensión de entrada, V	100-240
Frecuencia, Hz	50-60
Potencia, W	72
Tensión de salida, V CC/amperios, A	43/1,6

²¹ Los datos referidos del nivel de vibración poseen una dispersión estadística típica (desviación típica) de 1,5 m/s².

Declaración de conformidad

Declaración de conformidad UE

Nosotros, **Husqvarna AB**, SE-561 82 Huskvarna (SUECIA), tel.: +46-36-146500, declaramos bajo nuestra exclusiva responsabilidad que el producto:

Descripción	Soplador de mano a batería
Marca	Husqvarna
Tipo/Modelo	122iB
Identificación	Números de serie a partir del año 2025

Cumple con las siguientes directivas y normativas de la UE en su versión modificada:

Norma	Descripción
2006/42/CE	"relativa a las máquinas"
2014/30/UE	"relativa a la compatibilidad electromagnética"
2011/65/UE	"relativa a restricciones de utilización de determinadas sustancias peligrosas en aparatos eléctricos y electrónicos"
2000/14/CE	"relativa a las emisiones sonoras en el entorno"

Y que se aplican las especificaciones técnicas o los estándares siguientes: EN 62841-1:2015/A11:2022, EN IEC 62841-4-6:2024/A11:2024, EN IEC 63000:2018

EN IEC 55014-1:2021, EN IEC 55014-2:2021

De conformidad con lo dispuesto en la directiva 2000/14/CE, Anexo V, consulte *Datos técnicos en la página 103* para conocer los valores de ruido declarados.

Huskvarna, 2025-11-03

Claes Losdal, director de I+D de Husqvarna AB

Responsable de la documentación técnica



Sisukord

Sissejuhatus.....	106	Veaotsing.....	114
Ohutus.....	107	Transportimine, hoiulepanek ja utiliseerimine.....	115
Kokkupanek.....	112	Tehniised andmed.....	116
Töö.....	112	Vastavusdeklaratsioon.....	118
Hooldus.....	113		

Toote tutvustus

(Joon. 1)

1. Puhurseadme otsak
2. Puhurseadme otsaku vabastusnupp
3. Klahvistik
4. Toitelüliti
5. Juhtraud
6. Toite sisse-/väljalülitusnupp
7. Toite indikaator
8. Hoiatuse indikaator, LED-tõrketuli
9. Kiiruse reguleerimise nupp
10. Toed
11. Akunäidiku nupp
12. Aku olek
13. Aku hoiatusindikaator
14. Aku vabastamise nupp
15. Aku
16. Toite sisselülituse ja hoiatuse indikaator
17. Pistik
18. Akulaadija 40-C80
19. Kasutusjuhend

„Protection of the Environment Operations (Noise Control) Regulation 2017“.

Toote garanteeritud helivõimsuse taseme andmed leiate jaotisest *Tehnilised andmed lk 116* ja sildilt.

(Joon. 8) Toode või toote pakend ei kuulu olmejäätmete hulka. Toimetage see elektri- ja elektronikajäätmete vastuvõtupunkti.

(Joon. 9) See seade vastab kehtivatele EÜ direktiividele.

(Joon. 10) Nimipinge, V

(Joon. 11) Alalisvool.

aaaa nnxxxx

Mudeli etikett näitab seerianumbrit. **aaaa** on tootmisaasta, **nn** on tootmisnädal ja **xxxx** on järjekorranumber.

Toote kirjeldus

Husqvarna 122iB on elektrimootoriga puhurseadme mudel.

Kasutusotstarve

See toode on usaldusväärne ja hõlpsasti kasutatav käeshoitav puhur igasugusteks puhumistöödeks ning üldisteks koristustöödeks kodus ja aias.

Sümbolid tootel

(Joon. 2) HOIATUS! Toode võib olla ohtlik ja põhjustada kasutaja või kõrvaliste isikute ohtliku kehavigastuse või surma. Olge ettevaatlik ja kasutage toodet õigesti.

(Joon. 3) Enne seadme kasutamist lugege kasutusjuhend hoolikalt läbi ja veenduge, et olete juhistest aru saanud.

(Joon. 4) Kandke heakskiidetud kaitseprille.

(Joon. 5) HOIATUS! Hoidke kõrvalseisjad eemal.

(Joon. 6) Ärge jätke vihma kätte.

(Joon. 7) Mürameissioonile viitav keskkonnasilt vastavalt ELi direktiividele ja määrustele ja Uus Lõuna-Walesi õigusaktile

Märkus: Ülejäänud tootel toodud sümbolid/tähised vastavad erinevates riikides kehtivatele sertifitseerimisnõuetele.

Akul ja/või akulaadijal olevad sümbolid

(Joon. 12) Tõrkekindel trafo.

(Joon. 13) Kasutage ja hoiustage akulaadijat ainult siseruimides.

(Joon. 14) Topeltisolatsioon.

(Joon. 15)

Toimetage seade elektri- ja elektronikajäätmete ringlusevõtukeskusesse. (Kehtib vaid Euroopas)

Toote kahjustused

Me ei vastuta meie tootele tekitatud kahjude eest, kui:

- toodet on valesti parandatud;
- toote parandamisel on kasutatud osi, mis ei ole tootja poolt valmistatud või heaks kiidetud;
- tootel on kasutatud tarvikut, mis ei ole tootja poolt valmistatud või heaks kiidetud;

- toodet ei ole parandatud volitatud hoolduskeskuses või volitatud isiku poolt.

Drottninggatan 2, SE-561 82 Huskvarna

Tootja

Husqvarna AB

Ohutus

Ohutuse määratlused

Mõistetega „hoiatus“, „ettevaatus“ ja „märkus“ juhitakse tähelepanu eriti olulistele kohtadele kasutusjuhendis.



HOIATUS: Tähistab kasutusjuhendi juhiste eiramise korral kasutaja või kõrvalseisjate kehavigastuse või surmaga lõppeva õnnetuse ohtu.



ETTEVAATUST: Tähistab kasutusjuhendi juhiste eiramise korral seadme, muude esemete või läheduses asuvate objektide kahjustamise ohtu.

Märkus: Tähistab antud olukorras vajalikku lisateavet.

Üldised ohutusjuhised elektritööriistadele



HOIATUS: Lugege läbi kõik masinaga kaasas olevad hoiatused, juhised, tehnilised andmed ning tutvuge joonistega. *Alltoodud juhiste eiramine võib põhjustada elektrilöögi, tulekahju ja/või ohtliku kehavigastuse.*

Säilitage kõik ohutusjuhised ja instruksioonid tulevikus kasutamiseks.

Märkus: *Hoiatuses kasutatud mõiste „masin“ tähistab võrgutoitel (juhtmega) masinat või akutoitel (juhtmata) masinat.*

Tööala ohutus

- **Hoidke tööala puhas ja tagage hea valgustus.** Korralagedus või valgustamata tööalad võivad põhjustada õnnetusi.
- **Ärge kasutage masinat plahvatusohtlikus keskkonnas, näiteks tuleohtlike vedelike, gaaside või toimu läheduses.** Masinad tekitavad sädemeid, mis võivad tolmu või auru süüdata.
- **Hoidke lapsed ja kõrvalised isikud masina kasutamise ajal eemal.** Tähelepanu kõrvalejuhtimise korral võite kaotada kontrolli seadme üle.

Elektriohutus

- **Masina pistikud peavad pistikupesaga ühilduma. Ärge muutke pistikut mis tahes viisil. Ärge kasutage maandusega masinate puhul adapterpistikuid.** Muutmata pistikud ja sobivad pistikupesad vähendavad elektrilöögi ohtu.
- **Vältige kehalist kokkupuudet maandatud pindadega (nt torud, radiaatorid, elektripliidid ja külmikud).** Teie keha maandamise korral on elektrilöögi oht suurem.
- **Ärge laske masinatel kokku puutuda vihma ega niiskusega.** Masina sisse tunginud vesi suurendab elektrilöögiohtu.
- **Kasutage kaablit õigesti. Ärge kunagi kasutage kaablit masina kandmiseks, tõmbamiseks või pistikupesast eemaldamiseks. Kaitske kaablit kuumuse, õli, teravate servade ja liikuvate osade eest.** Kahjustatud või sõlmes juhe suurendab elektrilöögi ohtu.
- **Masinaga õues töötamisel kasutage välistingimustes kasutamiseks sobivat pikendusjuhet.** Välistingimustes kasutamiseks sobiva pikendusjuhtme kasutamine vähendab elektrilöögiohtu.
- **Kui masina kasutamine niiskes keskkonnas on vältimatu, kasutage rikkevoolukaitsmega (RCD) toidet.** RCD kasutamine vähendab elektrilöögi ohtu.

Inimeste kaitsmine

- **Olge masina kasutamisel tähelepanelik, jälgige oma tegevust ja kasutage töös selget ning tervet mõistust. Ärge kasutage masinat, kui olete väsinud või uimastite, alkoholi või ravimite mõju all.** Hetkeline tähelepanematus masinate kasutamise ajal võib lõppeda raskete kehavigastustega.
- **Kasutage isikukaitsevahendeid. Kasutage alati kaitseprille.** Asjakohastes tingimustes kaitsevahendite (nt tolmu mask, mittelibisevad turvajalatsid, kiiver või kõrvaklapid) kasutamine vähendab kehavigastuste ohtu.
- **Vältige soovimatut käivitumist. Enne, kui hakkate masinat toitevoolu ja/või akuga ühendama, seda üles tõstma või kandma, veenduge, et masin oleks olekus OFF (VÄLJAS).** Kui kannate masinaid nii, et sõrm on toitelülilil, või ühendate need vooluvõrku, kui toitelüliti on sisse lülitatud, võib see lõppeda õnnetusega.
- **Eemaldage enne masina sisselülitamist kõik reguleerimis- ja mutrivõtmed.** Masina pöörleva osa külge jäetud mutrivõti või muu võti võib tekitada kehavigastusi.

- **Ärge küünitage liiga kaugele. Säilitage kogu aeg kindel jalgealune ja tasakaal.** See võimaldab teil elektritööriista ootamatutes olukordades paremini kontrollida.
- **Kandke nõuetekohaseid riideid. Ärge kandke lahtiseid rõivaid ega ehteid. Hoidke juuksed ja rõivad liikuvatest osadest eemal.** Lahtised rõivad, ehted või pikad juuksed võivad liikuvate osade vahele kinni jääda.
- **Kui seadmetel on ühendus tolmueemaldus- ja kogumisseadmete jaoks, veenduge, et need on ühendatud ja neid kasutatakse õigesti.** Tolmukogumise kasutamise abil saab vähendada tolmuga seotud ohte.
- **Ärge laske endal masinate sagedase kasutamisega omandatud teadmiste tuginedes muutuda liiga enesekindlaks, eirates nii masina ohutuspõhimõtteid.** Hooletu tegutsemine võib sekundi murdosa vältel põhjustada raskeid vigastusi.

Masina kasutamine ja hooldus

- **Ärge kasutage masinaga jõudu. Kasutage rakenduse jaoks õiget masinat.** Sobiva elektritööriistaga edeneb teie töö näidatud võimsusvahemikus paremini ja ohutumalt.
- **Ärge kasutage masinat, kui see lüüti vajutamisel sisse ega välja ei lülitu.** Mis tahes masin, mida pole võimalik lülitil abil juhtida, on ohtlik ja tuleb viivatamatult parandada.
- **Enne masina reguleerimist, tarvikute vahetamist või hoialepanekut eemaldage pistik toiteallikast ja/või eemaldage masina küljest aku, kui see on eemaldatav.** See ohutusmeede takistab elektritööriista kogemata käivitumist.
- **Hoidke masinat, mida te parasjagu ei kasuta, lastele kättesaamatus kohas ning ärge lubage masinat kasutada isikutele, kes ei oska seda kasutada või pole neid juhiseid läbi lugenud.** Masinad on väljaõppeta kasutajate käes ohtlikud.
- **Hooldage masinaid ja lisatarvikuid. Kontrollige liikuvate osade joondust ja kinnitusi, osade purunemist või muid masina käsitsemist mõjutada võivaid tegureid. Kahjustuse korral laske masinat enne kasutamist remondida.** Paljude õnnetuste põhjuseks on halvasti hooldatud elektritööriistad.
- **Hoidke lõikeesemed teravate ja puhastena.** Nõuetekohaselt hooldatud teravate lõikeservadega lõikemasinate kinnikiilumise tõenäosus on väiksem ja masin on hõlpsam juhtida.
- **Järgige masina, tarvikute, osade jm kasutamisel neid juhiseid ning arvestage tööttingimuste ja -ülesandega.** Masina käsitsemine muuks kui ettenähtud otstarbeks võib põhjustada ohtliku olukorra.
- **Hoidke käepidemed ja haardepinnad kuivad, puhtad ning õli- ja määrdevabad.** Libedad käepidemed ning haardepinnad ei võimalda ettenägematutes olukordades masina turvalist käsitsemist ega kontrollimist.

Akuga seadmete kasutamine ja hooldamine

- **Kasutage laadimiseks ainult tootja soovitatud laadijat.** Ühte tüüpi aku laadimiseks sobiv laadija võib koos teist tüüpi akuga kasutades tuleohtu põhjustada.
- **Kasutage masinatega vaid spetsiaalselt neile loodud akusid.** Teisi akukogumeid kasutades riskite vigastuste ja tulekahjuga.
- **Kui aku pole hetkel kasutuses, hoidke seda eemal teistest metallesemetest (nt kirjaklambrid, mündid, võtmed, naelad, kruvid vms väiksed metallesemed), mis võiksid akuklemme omavahel ühendada.** Akuklemmide lühistamine võib põhjustada põletushaavu või tulekahju.
- **Väärkasutamise korral võib akust vedelikku lekkida; vältige kokkupuudet. Kokkupuute korral loputage kannatada saanud kohta veega. Kui vedelik satub silma, loputage silma veega ja pöörduge arsti poole.** Akust lekkinud vedelik võib põhjustada ärritust või põletushaavu.
- **Ärge kasutage kahjustatud ega muudetud akut ega seadet.** Kahjustatud või muudetud akud võivad käituda ettearvatult ning põhjustada tule-, plahvatus- või vigastusohtu.
- **Ärge jätke akut ega seadet tule ega liiga kõrge temperatuuri kätte.** Kokkupuude üle 130 °C temperatuuriga võib põhjustada plahvatus.
- **Järgige kõiki laadimisjuhiseid ja ärge laadige akut ega seadet kunagi väljaspool kasutusjuhendis täpsustatud temperatuurivahemikku.** Aku laadimine valesti või väljaspool selleks ettenähtud temperatuurivahemikku võib akud kahjustada ja suurendada tuleohtu.

Teenindus

- **Laske oma elektritööriista parandada ainult kvalifitseeritud spetsialistidel ja ainult originaalvaruosadega.** Sellega on tagatud, et säiliks elektritööriista ohutus.
- **Ärge kunagi hooldage kahjustatud akusid.** Akusid võivad hooldada üksnes tootja või volitatud teenusepakkujad.

Aiapuhuri ohutusalsed hoiatused

- **Ärge kasutage aiapuhurit halva ilmaga (eelkõige äikesetorni ajal).** See vähendab pikselöögi ohtu.
- **Kandke kaitseprille.** Korralikud kaitsevahendid vähendavad vigastuste ohtu.
- **Kandke aiapuhuri kasutamisel alati libisemiskindlaid kaitsejalatseid. Ärge kasutage aiapuhurit paljajalu ega lahtiste sandaalidega.** See vähendab jalgade vigastamise ohtu.
- **Ärge kandke lohvakaid riideid ega esemeid (nt sallid, nõõrid, ketid, lipsud jne): need võivad sattuda õhuvõtuavadesse. Siduge pikad juuksed patsi või katke kinni, et need ei satuks õhuvõtuavadesse.** Kui mõni neist esemetest tõmmatakse õhuvõtuavadesse, võib see suurendada kehavigastuste ohtu.

- **Hoidke kõrvalised isikud aiapuhuriga töötamise ajal eemal.** Öhkupaiskuv praht võib suurendada kehavigastuste ohtu.
- **Ärge kunagi suunake lehepuhuri otsikut inimeste, lemmikloomade või akende suunas. Olge eriti ettevaatlik, kui kasutate puhurit prahi eemaldamiseks tahkete objektide (nt puude, autode ja seinte) läheduses: praht võib vastu selliseid objekte lennates tagasi pörkuda.** Öhkupaiskuvad esemed võivad kahjustada vara ja suurendada kehavigastuste ohtu.
- **Ärge kasutage aiapuhurit põlevate või suitsevate esemete, näiteks sigarettide, tuletikkude ega kuuma tuha ärapuhumiseks.** Need tuleallikad võivad suurendada tulekahjuohtu.
- **Ärge puudutage ventilaatorit, kui see veel liigub. Lülitage aiapuhur välja ja oodake, kuni ventilaator seiskub, enne kui eemaldate osasid, mis võivad anda ventilaatorile ligipääsu.** See vähendab liikuvate osade põhjustatud vigastusohu.
- **Kinnikiilunud materjali eemaldamisel või aiapuhuri hooldamisel veenduge, et toitelüliti oleks välja lülitatud.** Aiapuhuri ootamatu käivitamine kinnikiilunud materjali eemaldamisel või puhuri hooldamisel võib põhjustada raskeid kehavigastusi.

Üldised ohutusjuhised



HOIATUS: Enne toote kasutamist lugege läbi järgmised hoiatused.

- Seade on ohtlik, kui seda kasutada valesti või ettevaatamatult. Ohutuseeskirjade eiramine võib põhjustada kehavigastuse või surma.
- Toode tekitab töötades elektromagnetvälja. Teatud tingimustel võib väli häirida aktiivsete või passiivsete meditsiiniliste implantaatide tööd. Raskete või surmaga lõppevate kehavigastuste ohu vähendamiseks soovime meditsiinilisi implantaate kasutataval inimestel pidada enne selle seadme kasutamist nõu oma arsti ja implantaadi valmistajaga.
- Olge alati ettevaatlik ja toimige arukalt. Kui te pole kindel, kuidas toodet eriolukorras kasutada, lõpetage töö ja pidage enne jätkamist nõu Husqvarna edasimüüjaga.
- Arvestage, et teiste isikute ja nende varaga seotud õnnetuste korral kannab vastutust seadme kasutaja.
- Hoidke seade puhas. Veenduge, et märgid ja tähised oleksid selgelt loetavad.
- Ärge kunagi lubage lastel või nende juhistega mittetutvunud inimestel seadet kasutada. Kohalikud kehtivad eeskirjad võivad piirata kasutaja lubatud vanust.
- Kui seadet kasutatud piiratud füüsiliste või vaimsete võimetega isik, peab ta olema kogu aeg järelevalve all. Vastutusvõimeline täiskasvanu peab kogu aeg kasutaja juures viibima.

- Ärge kasutage toodet, kui olete väsinud, haige või tarvitanud alkoholi, narkootikume või ravimeid. Sellel on negatiivne mõju teie nägemisele, tähelepanuvõimele, liikumisele ja otsustamisvõimele.
- Ärge kasutage toodet, kui see on kahjustatud või ei tööta korralikult.
- Ärge muutke seadet, nii et see ei vasta enam tehase originaalmudelitele; ärge kasutage seadet, kui arvate, et seda on muetud keegi teine.

Tööohutus



HOIATUS: Enne toote kasutamist lugege läbi järgmised hoiatused.

- Kasutage isikukaitsevahendeid. Vt jaotisest *Isikukaitsevahendid lk 110*.
- Veenduge, et teate, kuidas hädaolukorras mootorit kiiresti seisata.
- Toodet ei tohi kasutada vihma käes või märjas keskkonnas. Toote sisse pääsenud vesi suurendab elektrilöögi ohtu.
- Olge toote kasutamisel alati toote taga.
- Kui mootor on käivitatud, ärge tõstke toodet. Kui teil on vaja toode üles tõsta, seisake mootor ja eemaldage aku.
- Ärge kõndige toote kasutamise ajal tagurpidi.
- Seisake mootor, kui toodet on vaja transportimiseks kallutada või kui peate ületama ilma muruta ala, näiteks kruusa-, kivi- või asfalteet.
- Ärge lükake toodet jostes, kui mootor on käivitatud. Toote kasutamise ajal kõndige.
- Toote kasutamise ajal esinev vibratsioon võib erineda vibratsiooniväärtusest, mis on esitatud jaotisest *Tehnilised andmed lk 116*. Erinevus tuleneb toote erinevatest kasutusviisidest. Kui kasutate toodet sageli või kaua aega, tehke regulaarselt pause, et vältida vibratsioonist tingitud vigastusi.

Ohutusjuhised kasutamisel



HOIATUS: Enne toote kasutamist lugege läbi järgmised hoiatused.

- Kui olukord on teile tundmatu, katkestage töö ja küsige spetsialistilt nõu. Võtke ühendust edasimüüja või hooldustöökõjaga. Ärge tehke tööd, milleks teil puudub väljaõpe või kogemused.
- Veenduge, et saate turvaliselt seista ja liikuda. Vaadake, et läheduses ei oleks tõkkeid, nagu juuri, kive, oksid, kraave jms, mis oleksid takistuseks juhul, kui tuleb kiiresti eemalduda. Olge eriti ettevaatlik kallakutel töötades.
- Olge kindlal pinnal ja hoidke ennast tasakaalus. Ärge küünitage liiga kaugele.

- Kui kasutate kõrvaklappe, olge tähelepanelik hoigete ja hoiatussignaalide suhtes. Eemaldage kõrvaklapid kohe, kui toode on seiskunud.
- Ärge kasutage seadet avatud akende läheduses.
- Hoolige läheduses viibivatest inimestest ja ärge kasutage seadet sobimatutel kellaaegadel, nt hilisõhtul või varahommikul. Järgige kehtivaid kohalikke eeskirju ja korraldusi.
- Kasutage toodet võimalikult madala õhuvooluvõimsusega. Täisvõimsuse kasutamine on vajalik harva, paljusid töid saab teha poole õhuvooluvõimsusega. Väiksem õhuvooluvõimsusega kaasneb vähem müra ja tolmu ning samuti on kokku kogutavat või eemale puhutatavat prahti nii lihtsam suunata.
- Toote kasutamisel tolmuses kohas niisutage pinda kergelt.
- Maa külge kinni jäänud prahi eemaldamiseks kasutage reha või luuda.
- Hoidke lehepuhuri avast võimalikult maapinna lähedal.
- Jälgige ümbrust. Suunake toode eemale inimestest, loomadest, mänguväljakutest, autodest jms.
- Puhumisega saate vähendada, niisutades kergelt tolmuseid piirkondi või kasutades pihustusvarustust.
- Arvestage tuule suunaga. Kasutage tuult ära, see teeb töö lihtsamaks.
- Kui seade hakkab ebatavaliselt vibreerima, siis seisake seade ja eemaldage aku.
- Puhurseadme abil suurte kuhjade liigutamine on aeganõudev ja tekitab asjatult suurt müra.
- Koristage töö jäljed. Veenduge, et te poleks prahti kellegi aeda puhunud.
- Ärge jookske seadmega töötamise ajal.
- Jõulised õhuvood võivad objekte liigutada sellisel kiirusel, et need pörkavad tagasi ja põhjustavad tõsisid silmavigastusi.

(Joon. 16)

- Ärge suunake õhuvoolu inimeste ega loomade poole.
- Enne tarvikute ja muude komponentide paigaldamist või eemaldamist seisake alati mootor.
- Hoidke kõik kehaosad kuumadest pindadest eemal.
- Ärge kunagi asetage käivitatud toodet maha, kui see ei asu teie vaateväljas.
- Puhurseadet ei tohi kasutada redelil või tellingutel seistes.

(Joon. 17)

- Ärge kasutage toodet olukordades, kus teil pole õnnetuse korral võimalik abi kutsuda.
- Hoiduge eemalepaiskuvate esemete eest. Kivid, praht jms võib õhku paiskudes teile silma lennata ja põhjustada raske kehavigastuse või isegi pimedaks jäämise.
- Kasutage toote laadimisel rikkevoolukaitset (RCI) lisaohutuse tagamiseks. Seade on varustatud

rikkevoolukaitsemega, mis kaitseb kasutajaid elektririkke korral.

- See seade on tuntud oma madala vibratsioonitaseme poolest. Tugeva vibratsiooniga töötamine võib põhjustada vereringe- või närvikahjustusi, eriti neil, kel on vereringehäireid. Pöörduge arsti poole, kui ilmneb nähte, mis võivad olla vibratsioonist põhjustatud. Sellisteks sümptomiteks on näiteks tundetus, surin, torkiv tunne, valu, nõrkus, muutused nahavärvis või naha seisukorras. Nimetatud nähtused esinevad tavaliselt sõrmedes, käelabades ja randmetes.
- Kasutage seadet ainult ettenähtud otstarbel.
- Kõiki olukordi, mis võivad seadme käitamisel ette tulla, ei ole võimalik kirjeldada. Olge alati ettevaatlik ja kasutage tervet mõistust. Vältige olukordi, millega te ei pruugi toime tulla. Kui te pärast selle juhendi läbilugemist tunnete veel ebakindlust, küsige enne jätkamist nõu asjatundjalt.
- Kasutage toote hoidmiseks alati paremat/vasakut kätt. Hoidke toodet oma keha kõrval.

(Joon. 18)

Isikukaitsevahendid



HOIATUS: Enne toote kasutamist lugege läbi järgmised hoiatused.

- Seadmega töötamisel tuleb kasutada ettenähtud isikukaitsevarustust. Isikukaitsevarustus ei välista täielikult kehavigastuste ohtu, kuid vähendab õnnetusjuhtumi korral kehavigastuse raskusastet. Õige varustuse valimiseks pöörduge edasimüüja poole.
- Kandke heakskiidetud kõrvaklappe.

(Joon. 19)

- Kandke heakskiidetud kaitseprille. Näokaitseme kasutamisel tuleb lisaks kasutada heakskiidetud kaitseprille. Heakskiidetud kaitseprillide all mõeldakse selliseid prille, mis vastavad standardile ANSI Z87.1 USA-s või EN 166 Euroopa Liidu riikides.

(Joon. 20)

- Vajadusel kandke kindaid.

(Joon. 21)

- Kandke terasest varbakatete ja libisemist takistavate taldadega kaitseasaapaid.

(Joon. 22)

- Kandke vastupidavast materjalist riideid. Kandke alati pikki raskeid pükse ja pikki varrukaid. Hoiduge liiga avaratest rõivastest, mis võivad okstesse takerduda. Ärge kandke ehteid, lühikesi pükse ega sandaale. Ärge kasutage seadet paljajalu. Kinnitage juuksed ohutult õlgadest kõrgemale.
- Hoidke esmaabikomplekt käepärast.

(Joon. 23)

Toote ohutusseadised



HOIATUS: Enne toote kasutamist lugege läbi järgmised hoiatused.

- Selles alalõigus kirjeldatakse masina turvavarustust, selle otstarvet ning kuidas läbi viia kontrollid ja hooldust, tagamaks masina nõuetekohane töö. Vaadake pealkirja *Toote tutvustus lk 106* all olevaid juhiseid selle kohta, kus need teie seadmel asuvad.
- Kui seadet ei hooldata õigesti ja korrapäraselt ning seadet ei paranda asjatundja, võib seadme tööiga lüheneda ja tekkida õnnetuste oht. Kui vajate täiendavat infot, pöörduge lähimasse teenindusse.
- Ärge kunagi kasutage toodet, mille turvavarustus on kahjustatud. Ohutusvarustust tuleb käesolevas lõigus toodud eeskirjade kohaselt hooldada ja kontrollida. Kui seade ei vasta ohutusnõuetele, laske see parandada hooldustöökojas.
- Toote hooldus ja parandamine nõuab eraldi väljaõpet. Eriti oluline on see toote ohutusvarustuse puhul. Kui toode ei vasta allpool toodud nõuetele, võtke ühendust hooldustöökojaga. Meie toodetele on tagatud professionaalne hooldus ja parandus. Kui toote müüja ei tegele hooldusega, paluge teda juhatada teid lähimasse hooldustöökotta.

Klahvistiku kontrollimine

1. Vajutage ON/OFF-nuppu (A) ja hoidke seda all, kuni toite indikaator (B) süttib. (Joon. 24)
2. Hoiatusindikaatori (C) süttimise või vilkumise korral vt jaotist *Veaotsing lk 114*.

Toitelüliti kontrollimine

- Vajutage ja vabastage toitelüliti, et veenduda, kas see liigub vabalt. (Joon. 25)

Aku ohutus



HOIATUS: Enne toote kasutamist lugege läbi järgmised hoiatused.

- Soovitatav aku on 40-B series. Akud on kodeeritud.
- Kasutage Husqvarna seadmete vooluallikana üksnes taaslaetavaid 40-B series akusid. Kehavigastuse vältimiseks ärge kasutage akut muude seadmete toiteallikana.
- Elektrilöögioht. Ärge ühendage akuklemme võtmete, kruvide või muude metallesemetega. See võib tekitada akus lühise.
- Ärge kasutage akusid, mis ei ole taaslaetavad.
- Ärge asetage esemeid aku õhuvade sisse ja ette.
- Vältige aku kokkupuudet otsese päikesevalguse, kuumuse ja lahtise leegiga. Aku võib põhjustada põletusi ja/või keemilisi põletusi.
- Vältige aku kokkupuudet vihma ja märja keskkonnaga.

- Vältige aku kokkupuudet mikrolainete ja kõrgsurvega.
- Ärge demonteerige ega lõhkuge akut.
- Vältige akuhappe sattumist oma nahale. Akuhape põhjustab nahavigastusi, söövitusi ja põletusi. Kui akuhape satub silma, ärge hõõruge silmi, vaid loputage neid veega vähemalt 15 minutit. Kui akuhape satub teie nahale, puhastage nahapinda rohke vee ja seebiga. Pöörduge arsti poole.
- Kasutage akut keskkonnas, mille temperatuur jääb vahemikku –10...40 °C.
- Ärge puhastage akut või akulaadijat veega. Vt jaotist *Seadme, aku ja akulaadija puhastamine lk 114*.
- Ärge kasutage kahjustatud akut.
- Hoiustage akusid eemal metallesemetest (nt naelad, kruvid, ehted).
- Hoidke aku eemal lastest.

Akulaadija ohutus



HOIATUS: Enne toote kasutamist lugege läbi järgmised hoiatused.

- Ohutuseeskirjade eiramine võib kaasa tuua elektrilöögi või lühise.
- Kasutage ainult seadme tarnekomplekti kuuluvat akulaadijat. 40-B seeria asendusakude laadimiseks kasutage ainult 40-C80 laadijat.
- Ärge püüdke akulaadijat lahti monteerida.
- Ärge kasutage akulaadijat, mis on kahjustatud või ei tööta korralikult.
- Ärge tõstke akulaadijat toitejuhtmetest hoides. Akulaadija võrgupistikupesast lahutamiseks tõmmake pistikut. Ärge tõmmake toitejuhet.
- Vältige juhtmete ja pikendusjuhtmete kokkupuudet vee, õli ning teravate servadega. Jälgige, et juhe ei jääks uste, väravate jms vahele.
- Ärge kasutage akulaadijat tuleohtlike või korrosiooni tekitavate materjalide läheduses. Veenduge, et akulaadija poleks kinni kaetud. Suitsu või tule tekke korral eemaldage pistik akulaadijast.
- Laadige akut ainult hea õhuvahetusega siseruumis ja päikesevalguse eest kaitstuna. Ärge laadige akut õues. Ärge laadige akut märjas keskkonnas.
- Kasutage akulaadijat keskkonnas, mille temperatuur jääb vahemikku 5...40 °C. Kasutage laadijat hästi ventileeritavas, kuivas ja tolmuvabas keskkonnas.
- Ärge asetage esemeid akulaadija jahutusavade sisse ja ette.
- Ärge kunagi ühendage akulaadija klemme metallesemete külge, vastasel korral võib akulaadija lühistuda.
- Kasutage heakskiidetud ja kahjustamata pistikupesasid. Veenduge, et akulaadija toitejuhe poleks kahjustatud. Pikendusjuhtme kasutamisel veenduge, et pikendusjuhe poleks kahjustatud.
- Ärge laadige akulaadijas mitteleetavaid akusid.

Ohutusjuhised hooldamisel



HOIATUS: Enne seadme hooldustööde tegemist lugege läbi järgnevad hoiatused.

- Eemaldage aku enne hooldustööde või muude kontrolltoimingute või seadme kokkupanemise alustamist.
- Seadme kasutaja tohib teha üksnes käesolevas kasutusjuhendis kirjeldatud hooldustöid. Mahukamate hooldustööde tegemiseks pöörduge hooldusesindusse.
- Ärge puhastage akut või akulaadijat veega. Tugevatoimeline pesuvahend võib kahjustada plastidetaile.

- Kui hooldustöid ei tehta, siis toote kasutamisega lüheneb ja õnnetuste oht kasvab.
- Kõigi hooldus- ja parandustööde tegemiseks (eriti seadme ohutusseadiste juures) on vajalik eriväljaõpe. Kui pärast hooldustööde tegemist ei läbi seade kõiki käesolevas kasutusjuhendis kirjeldatud kontrolltoiminguid, siis pöörduge hooldusesinduse poole. Garanteerime, et hooldusesindus tehakse teie tootele professionaalsel tasemel remondi- ja hooldustööd.
- Kasutage ainult originaalvaruosi.

Kokkupanek

Sissejuhatus



HOIATUS: Enne toote kokkupanekut lugege ohutuspeatükki ja tehke selles olev teave endale arusaadavaks.

Otsaku paigaldamine

1. Asetage otsak seadme esiotsa. (Joon. 26)
2. Vajutage otsak sisse, kuni kuulete klõpsu.

Akulaadija 40-C80 seinale paigaldamine



ETTEVAATUST: Ärge kasutage akulaadija seinale paigaldamiseks elektrilist kruvikeerajat. Elektriline kruvikeeraja võib akulaadijat kahjustada.

1. Paigaldage akulaadija kahe kruviga (A) seinale. Vajadusel kasutage seinakorke (B). (Joon. 27)
2. Paigaldage kaks kruviauguga korki (C).
3. Ühendage toitejuhe (D) akulaadija ja vooluvõrguga.

Töö

Sissejuhatus



HOIATUS: Enne toote kasutamist lugege läbi ohutuspeatükk ja veenduge, et oleksite kõigest aru saanud.

Toimivuskontrolli tegemine enne seadme kasutamist

1. Veenduge, et õhuvõtuava poleks määrdunud ega pragunenud. Pühkige harja abil tootelt ära rohulibled ja lehed. Vt jaotist *Õhuvõtuava kontrollimine lk 114*.
2. Veenduge, et toode töötaks korralikult.
3. Kontrollige kõiki mutreid ja polte ning veenduge, et need oleksid korralikult kinni keeratud.

Aku



HOIATUS: Enne aku kasutamist lugege läbi ohutust puudutav jaotis ja veenduge, et

oleksite kõigest aru saanud. Samuti tuleb läbi lugeda aku ja akulaadija kasutusjuhend ning veenduda, et kogu teave on arusaadav.

Hoidke akut ja akulaadijat õigel õhutemperatuuril.

	Õhutemperatuur
Tootega töötamine	-5 °C – 40 °C / 23 °F - 104 °F
Aku laadimine	5 °C – 40 °C / 41 °F - 104 °F

Aku LED-indikaator

Ekraanil kuvatakse teave aku laetustaseme ja mistahes akuga seotud probleemide kohta. (Joon. 28)

LED-märgutuli	Aku olek (laetustase)
Põleb 4 LED-tuld	Aku on 76–100% laetud.
Põleb 3 LED-tuld	Aku on 51–75% laetud.
Põleb 2 LED-tuld	Aku on 26–50% laetud.
Põleb 1 LED-märgutuli	Aku on 6–25% laetud.
1 LED-märgutuli vilgub	Aku on 0–5% laetud.

Aku laadimine

Enne aku esimest kasutuskorda laadige aku täis. Uue aku laetustase on ainult 30%.



ETTEVAATUST: Ühendage akulaadija tüübisildil näidatud pinge ja sagedusega pistikupesasse.

Akut ei laeta, kui aku temperatuur on üle 50 °C.

1. Ühendage toitepistik akulaadijaga.
2. Ühendage akulaadija maandatud pistikupesasse. Laadimise LED-tuli vilgub ühe korra. (Joon. 29)
3. Ühendage aku akulaadijaga. Süttib laadimist tähistav LED-tuli. Ärge laadige akut kauem kui 24 tundi. (Joon. 30)
4. Vajutage akunäidiku nuppu. Kui kõik LED-märgutuled süttivad, on aku täis laetud.
5. Akulaadija eemaldamiseks vooluvõrgust tõmmake toitepistik pistikupesast välja. Ärge tõmmake toitejuheta.
6. Eemaldage aku laadijast.

Aku ühendamine seadmega



HOIATUS: Kasutage tootes ainult soovitatud Husqvarna akut.

1. Veenduge, et aku oleks täis laetud.
2. Lükake aku akuhoidikusse, kuni kuulete klõpsatust. Aku peab kergesti liikuma. Vastasel juhul ei ole see õigesti paigaldatud. (Joon. 31)

Toote käivitamine

1. Vajutage ja hoidke käivitusnuppu seni, kuni süttib roheline LED-tuli. (Joon. 32)
2. Kasutage toote käitamiseks toitelüliti.

Töö jaoks optimaalse õhuvoolu määramine

- Õhuvoolu seadmiseks vajutage kiirusjuhtimise nuppu. Õhuvooluastmeid on 3. (Joon. 33)

Toote seiskamine

1. Vabastage toitelüliti.
2. Vajutage pikalt toitenuppu seni, kuni roheline LED kustub.
3. Vajutage vabastusnuppu ja tõmmake aku välja. (Joon. 34)

Automaatse seiskamise funktsioon

Seadmel on automaatne väljalülitusfunktsioon, mis seiskab toote, kui seda ei kasutata. Toite indikaatori roheline LED-tuli kustub ja toote seiskub 3 minuti pärast.

Hooldus

Sissejuhatus



HOIATUS: Enne seadme hooldamist lugege põhjalikult läbi ohutust puudutav jaotis.

Hooldusgraafik



HOIATUS: Enne hooldustööde alustamist eemaldage aku.

Allpool on esitatud loend seadme hooldustöödest, mida peab tegema seadme kasutaja.

Hooldus	Iga päev	Iga nädal	Iga kuu
Puhastage seadet puhta ja kuiva lapiga. Ärge kasutage vett.	X		
Veenduge, et käepidemed on kuivad ja puhtad.	X		
Kontrollige klahvistikku.	X		
Kontrollige toitelülitit.	X		
Veenduge, et mutrid ja kruvid oleksid pingutatud.	X		
Veenduge, et aku ei oleks kahjustatud.	X		
Kontrollige aku laetust.	X		
Veenduge, et aku vabastusnupud ei ole kahjustunud ning lukustavad aku kindlalt toote külge.	X		
Veenduge, et akulaadija ei oleks kahjustatud.	X		
Veenduge, et kõik liitmikud, ühendused ja kaablid on puhtad ja pole kahjustunud.		X	
Kontrollige aku, akulaadija ja seadme vahelisi ühendusi.			X

Õhuvõtuava kontrollimine

1. Veenduge, et õhuvõtuavas ei oleks ummistusi. (Joon. 35)
2. Vajadusel seisake toode ja eemaldage soovimatu materjal.



ETTEVAATUST: Kui õhuvõtuava on blokeeritud, siis seadme õhuvoolu võimsus kahaneb ja mootori töötemperatuur tõuseb. See võib põhjustada mootoririkke, sest mootor muutub liiga kuumaks.

2. Kontrollige, kas akulaadijal leidub kahjustusi, nt pragusid.
3. Veenduge, et akulaadija ühendusjuhe poleks kahjustatud ja et sellel poleks pragusid.

Seadme, aku ja akulaadija puhastamine

1. Pärast kasutamist puhastage seade kuiva riidelapiga.
2. Puhastage aku ja akulaadija kuiva riidelapiga. Hoidke akujuhikuid puhtana.
3. Enne aku asetamist akulaadijasse või tootesse veenduge, et aku ja akulaadija klemmid oleksid puhtad.

Aku ja akulaadija kontrollimine

1. Kontrollige, kas akul leidub kahjustusi, nt pragusid.

Veotsing

Klahvistik

LED-ekraan	Võimalikud tõrked	Võimalikud lahendused
Punane tõrke LED-tuli vilgub	Temperatuuri kõrvalekalle.	Laske tootel maha jahtuda.
	Akukonektoritel on mustus või ventilaator on blokeeritud.	Puhastage suruõhu või pehme pintsliga.
	Aku on tühi.	Laadige akut.
	Aku on kahjustatud.	Pöörduge hooldustöökoja poole.

Aku

LED-ekraan	Võimalikud tõrked	Võimalikud lahendused
Roheline LED-tuli vilgub.	Aku pinge on madal.	Laadige akut.
Tõrke LED-tuli vilgub.	Temperatuuri kõrvalekalle.	Kasutage akulaadijat temperatuurivahemikus -5 °C – 40 °C / 23 °F - 104 °F.
	Pinge on liiga kõrge.	Kontrollige, kas toiteallika võrgupinge vastab seadme andmesildil märgitud. Eemaldage aku laadijast.
Tõrke LED-tuli põleb.	Elementide erinevus on liiga suur (1 V).	Pöörduge hooldusesindusse.

Akulaadija

LED-ekraan	Võimalikud tõrked	Võimalikud lahendused
Laadimise LED-märgutuli põleb püsivalt punaselt.	Akulaadija on kahjustatud.	Pöörduge hooldusesindusse.
Laadimise LED-märgutuli vilgub roheliselt.	Aku temperatuur on väljaspool laadimisvahemikku.	Laske akul jahtuda või soojeneda. Kui aku on saavutanud õige temperatuuri, saab seda uuesti kasutada või laadida. Kasutage akulaadijat temperatuurivahemikus 5 °C – 40 °C / 41 °F - 104 °F.
Laadimise LED-märgutuli vilgub punaselt.	Aku on kahjustatud.	Pöörduge hooldusesinduse poole.

Transportimine, hoiupepanek ja utiliseerimine

Transportimine ja hoistamine

- Tarnitud liitiumioonakud vastavad ohtlike ainete eeskirjade nõuetele.
- Täitke kaubanduslikule transpordile kehtestatud pakendamise ja märgistamise erinõudeid (sh kolmandate osapoolte või ekspediitorite teenuseid kasutades).
- Enne seadme lähetamist konsulteerige isikuga, kes on läbinud ohtlike ainete käitlemise alase erikoolituse. Järgige kõiki kehtivaid riiklikke eeskirju.
- Enne aku pakendisse asetamist katke lahtised kontaktid isoleerteibiga. Asetage aku pakendisse tihkelt, et see ei saaks liikuma hakata.
- Hoistamise ja transpordi ajaks tuleb aku eemaldada.
- Asetage aku ja akulaadija kohta, mis on kuiv ja mida ei ähvarda niiskus ega jäätumine.
- Ärge hoidke akut kohas, kus võib tekkida staatiline elekter. Ärge hoidke akut metallkastis.
- Hoidke akut ruumis, mille temperatuur püsib vahemikus 5°C / 41°F and 25°C / 77°F ja kus aku on varjatud otsese päikesevalguse eest.
- Hoidke akulaadijat ruumis, mille temperatuur püsib vahemikus 5 °C/41 °F and 45°C/113°F ja kus akulaadija on varjatud otsese päikesevalguse eest.
- Kasutage akulaadijat üksnes juhul, kui ümbritsev temperatuur on vahemikus 5 °C – 40 °C / 41 °F - 104 °F.
- Laadige enne aku pikemaajalist hoistamist see 30–50% ulatuses täis.
- Hoistage toodet ruumis, kus õhutemperatuur jääb vahemikku -40 °C kuni +60 °C

- Hoidke akulaadijat ruumis, mis on suletud ja kuiv.
- Ladustamisel hoidke aku akulaadijast eemal. Ärge lubage lastel ja teistel volitamata isikutel seadmeid puutuda. Hoidke seadmeid lukustatavas ruumis.
- Enne seadme pikemaajalist hoiustamist puhastage seade ja tehke sellele täishooldus.
- Kinnitage seade transpordi ajaks turvaliselt.

Toimetage see elektri- ja elektroonikajäätmete ringlussevõtukeskusesse. Nii aitate vältida keskkonna ja inimeste kahjustamist.

Kui soovite lisateavet oma toote ringlussevõtu kohta, võtke ühendust kohalike ametiasutuste, olmejäätmete käitleja või edasimüüjaga.

Aku, akulaadija ja seadme kasutusest kõrvaldamine

Tootel või selle pakendil olevad sümbolid näitavad, et toodet ei tohi visata olmeprügi hulka.

Tehnilised andmed

Tehnilised andmed

	1221B
Mootor	
Mootori tüüp	PMDC
Kaal	
Kaal ilma akuta (kg)	1,9
Müratase, helitasemed , ^{22 23}	
Helivõimsuse tase, mõõdetud dB(A)	92,2
Helivõimsuse tase, garanteeritud L _{WA} dB(A)	93
Ekvivalentne helirõhutase kasutaja kõrva juures, mõõdetud EN IEC 62841-4-6 ja ISO 22868 järgi, dB (A)	82,8
Vibratsioonitase ²⁴	
Käepidemete vibratsioonitasemed, mõõdetud EN IEC 62841-4-6 järgi, m/s ²	1,13
Ventilaatori jõudlus	
Maksimaalne voolukiirus, m ³ /h.	865
Maksimaalne teoreetiline kiirus, m/s.	53
Tsentrifugaaljõud, N	11

Müra- ja vibratsioonandmed on määratletud maksimaalse nimikiiruse järgi.

vastavalt standardsele katsemeetodile ning on kasutatavad tööriistade võrdlemiseks.

Märkus: Avaldatud vibratsiooni koguväärtus ja avaldatud mürataseme väärtused on mõõdetud

²² Müratase ümbrisevas keskkonnas, mõõdetud helivõimsuse tasemena (L_{WA}) vastavalt EÜ direktiivile 2000/14/EÜ, tüüpiline statistiline dispersioon (standardhälve) on 1,0 dB(A).

²³ Antud andmetel seadme helitugevuse taseme ekvivalendi kohta on statistiline tüüplevi 1,3 dB(A) (standardne kõrvalekalle).

²⁴ Vibratsioonitase kohta toodud andmete tüüpiline statistiline dispersioon (standardhälve) on 1,5 m/s².

Märkus: Avaldatud vibratsiooni koguväärtust ja avaldatud mürataseme väärtusi võib samuti kasutada kokkupuute esialgsel hindamisel.

Märkus: Sõltuvalt toote kasutusviisist võivad toote tegeliku kasutamise käigus tekkiva vibratsiooni ja müra

tasemed avaldatud koguväärtusest erineda. Operaatori kaitsmiseks tuleb kindlaks määrata ohutusmeetmed, mis põhinevad kokkupuute hindamisel tegelikes kasutustingimustes. Kaasake hindamise alla kõik talitlustsükli osad, näiteks ajad, mil toode on välja lülitatud ja mil see töötab tühikäigul, lisaks käivitusajale.

Seadmes kasutamiseks heakskiidetud akud

Aku	40-B140
Tüüp	Liitiumioonaku
Aku mahtuvus, Ah	Vt aku andmete kleebist
Nimipinge, V	36
Kaal, kg	1,25

Heakskiidetud akulaadijad

Akulaadija	40-C80
Sisendpinge, V	100-240
Sagedus, Hz	50-60
Võimsus, W	72
Väljundpinge, V/A (alalisvool)	43 / 1.6

Vastavusdeklaratsioon

EL-i vastavusdeklaratsioon

Husqvarna AB, SE-561 82 Huskvarna, ROOTSI, tel: +46
3614 6500, kinnitab ainuvastutusel, et toode:

Kirjeldus	Käeshoitav akuga töötav puhurseade
Kaubamärk	Husqvarna
Tüüp/mudel	122iB
Identifitseerimine	Seerianumbrid alates 2025. aastast

vastavad järgmistele EL-i direktiividele ja määrustele, mida on muudetud järgmiselt.

Määrus	Kirjeldus
2006/42/EÜ	„masinadirektiiv“
2014/30/EL	„elektromagnetilise ühilduvuse direktiiv“
2011/65/EL	„elektri- ja elektroonikaseadmetes teatavate ohtlike ainete kasutamise piiramise direktiiv“
2000/14/EÜ	„seadmete müra kohta käiv direktiiv“

ja et kohalduvad järgmised standardid ja/või tehnilised spetsifikatsioonid: EN 62841-1:2015/A11:2022, EN IEC 62841-4-6:2024/A11:2024, EN IEC 63000:2018

EN IEC 55014-1:2021, EN IEC 55014-2:2021

Vastavalt direktiivi 2000/14/EÜ lisale V leiate deklareeritud mürataseme väärtused jaotisest *Tehnilised andmed lk 116*.

Huskvarna, 2025-11-03

Claes Losdal, Husqvarna AB uurimis- ja arendusjuht
Tehnilise dokumentatsiooni eest vastutaja



Sisällys

Johdanto.....	119	Vianmääritys.....	127
Turvallisuus.....	120	Kuljettaminen, säilyttäminen ja hävittäminen.....	128
Asentaminen.....	125	Tekniset tiedot.....	129
Käyttö.....	125	Vaatimustenmukaisuusvakuutus.....	131
Huolto.....	126		

Tuotteen kuvaus

(Kuva 1)

1. Puhaltimen suutin
2. Puhaltimen suuttimen vapautuspainike
3. Näppäimistö
4. Käyttöliipaisin
5. Kahva
6. Virtapainike
7. Virran merkkivalo
8. Varoitusmerkkivalo (vian merkkivalo)
9. Nopeuden säätöpainike
10. Tuet
11. Akun varaustilan painike
12. Akun tila
13. Akun varoitusvalo
14. Akun vapautuspainike
15. Akku
16. Virran ja varoitusten merkkivalo
17. Liitin
18. Akkulaturi 40-C80
19. Käyttöohje

Environment Operations (Noise Control) Regulation 2017" -asetuksen mukaisesti. Tuotteen taattu äänitehotaso on määritetty kohdassa *Tekniset tiedot sivulla 129* ja kilvessä.

(Kuva 8)

Laitetta tai sen pakkausta ei saa hävittää kotitalousjätteen mukana. Vie se asianmukaiseen sähkö- ja elektroniikkalaitteiden keräyspisteeseen.

(Kuva 9)

Laitte täyttää voimassa olevien EY-direktiivien vaatimukset.

(Kuva 10)

Nimellisjännite, V

(Kuva 11)

Tasavirta.

yyyy xxxxxx

Tyyppikilvessä näkyy sarjanumero, jossa yyyy on valmistusvuosi, ww on valmistusviikko ja xxxxxx on sarjanumero.

Tuotekuvaus

Husqvarna 122iB on puhallinmalli, jossa on sähkömoottori.

Käyttötarkoitus

Tämä tuote on luotettava ja helppokäyttöinen kannettava lehtipuhallin kaikkiin kodin ja pihan puhallustoihin ja yleiseen puhdistukseen.

Tuotteen symbolit

(Kuva 2) VAROITUS: Tämä laite voi olla vaarallinen ja aiheuttaa käyttäjälle tai sivullisille vakavia vahinkoja tai kuoleman. Ole varovainen ja käytä tuotetta oikein.

(Kuva 3) Lue käyttöohje huolellisesti ja varmista, että ymmärrät sen sisällön, ennen kuin alat käyttää laitetta.

(Kuva 4) Käytä hyväksytyjä suojalaseja.

(Kuva 5) VAROITUS – Pidä sivulliset loitolla.

(Kuva 6) Ei saa altistaa sateelle.

(Kuva 7) Melupäästöt ympäristöön -tarra EU:n direktiivien ja säädösten mukaisesti sekä Uuden Etelä-Walesin "Protection of the

Huomaus: Muita laitteen tunnuksia/tarroja tarvitaan tietyillä markkina-alueilla ilmaisemaan erityisiä sertifiointivaatimuksia.

Akun ja/tai akkulaturin symbolit

(Kuva 12) Vikaturvallinen muuntaja.

(Kuva 13) Käytä ja säilytä akkulaturia ainoastaan sisätiloissa.

(Kuva 14) Kaksoiseristys.

(Kuva 15) Vie tämä tuote asianmukaiseen sähkö- ja elektroniikkalaitteiden keräyspisteeseen. (Vain Eurooppa)

Tuotteen vaurioituminen

Emme ole vastuussa tuotteen vaurioitumisesta, jos:

- tuote on korjattu virheellisesti
- tuotteen korjaamiseen on käytetty muita kuin valmistajan omia tai sen hyväksymiä osia
- tuotteessa on muu kuin valmistajan oma tai sen hyväksymä lisävaruste

- tuotetta ei ole korjattu valtuutetussa huoltopisteessä tai hyväksytyllä asiantuntijalla.

Drottninggatan 2, SE-561 82 Huskvarna

Valmistaja

Husqvarna AB

Turvallisuus

Turvallisuusmääritelmät

Varoituksia, huomioita ja huomautuksia käytetään, kun jotakin käyttöohjeen osaa halutaan erityisesti korostaa.



VAROITUS: Tätä käytetään, jos käyttöohjeen noudattamatta jättämisestä voi seurata käyttäjän tai sivullisen vamma tai kuolema.



HUOMAUTUS: Tätä käytetään, jos käyttöohjeen noudattamatta jättämisestä voi seurata koneen, muiden materiaalien tai ympäristön vaurioituminen.

Huomautus: Tätä käytetään tietyissä tilanteissa tarvittavien lisätietojen antamiseen.

Koneen yleiset turvaohjeet



VAROITUS: Lue kaikki tämän koneen mukana tulevat turvavaroitukset, ohjeet, kuvat ja tekniset tiedot. *Alla olevien ohjeiden noudattamatta jättäminen voi johtaa sähköiskuun, tulipaloon ja/tai vakavaan tapaturmaan.*

Säästä kaikki varoitukset ja ohjeet tulevaa käyttöä varten.

Huomautus: *Termillä "kone" tarkoitetaan varoituksissa verkkosähköllä toimivaa (johdollista) konetta tai akkukäyttöistä (johdotonta) konetta.*

Työalueen turvallisuus

- Pidä työalue siistinä ja hyvin valaistuna. Sotkuiset tai hämärit alueet altistavat onnettomuuksille.
- Älä käytä konetta räjähdysalttiissa ympäristössä, jossa on palavia nesteitä, kaasuja tai pölyjä. Koneet aiheuttavat kipinöitä, jotka voivat sytyttää pölyn tai höyryt.
- Pidä lapset ja sivulliset kaukana konetta käytettäessä. Häiriöt voivat saada sinut menettämään koneen hallinnan.

Sähköturvallisuus

- Koneen liitinpistokkeen on sovittava pistorasiaan. Älä koskaan muuta pistoketta millään tavoin.

Älä käytä mitään pistokesovittimia maadoitettujen koneiden kanssa. Alkuperäiset pistokkeet ja sopivat pistorasiat vähentävät sähköiskun vaaraa.

- **Varo koskettamasta maadoitettuja pintoja, kuten putkia, pattereita, liesiä ja jääkaappeja.** Sähköiskun riski kasvaa, jos käyttäjän kehoon kohdistuu maadoitus.
- **Suojaa koneet sateelta ja kosteudelta.** Veden pääseminen koneeseen lisää sähköiskun vaaraa.
- **Älä vahingoita johtoa. Älä koskaan käytä johtoa koneen kantamiseen, vetämiseen tai irrottamiseen pistorasiasta.** Pidä johto etäällä lämmönlähteistä, öljystä, terävistä reunoista ja liikkuvista osista. Vahingoittuneet tai sotkeutuneet johdot lisäävät sähköiskun vaaraa.
- **Jos käytät konetta ulkona, käytä vain ulkokäyttöön sopivia jatkojohtoja.** Ulkokäyttöön sopivan johdon käyttäminen vähentää sähköiskun vaaraa.
- **Mikäli koneen käyttämistä kosteassa ei voida välttää, on käytettävä virtalähdettä, jossa on vikavirtasuojakytkin (RCD).** Vikavirtasuojakytkimen käyttö vähentää sähköiskun vaaraa.

Henkilökohtainen turvallisuus

- **Pysy valppaana, katso mitä teet ja käytä tervettä järkeä konetta käyttäessäsi. Älä käytä konetta väsyneenä tai huumeiden, alkoholin tai lääkeaineden vaikutuksen alaisena.** Hetken epähuomio koneita käytettäessä voi johtaa vakavaan henkilövahinkoon.
- **Käytä henkilökohtaisia suojavarusteita. Käytä aina suojalaseja.** Hengityssuojain, luistamattomat turvakengät, kypärä, kuulonsuojaimet ja muut suojavarusteet niitä vaativissa oloissa käytettyinä vähentävät henkilövahinkoja.
- **Estä tahaton käynnistyys. Varmista, että katkaisin on OFF-asennossa ennen virtalähteen ja/tai akun kytkemistä, koneeseen tarttumista tai sen kantamista.** Koneiden kantaminen sormi kytkimellä tai virran kytkeminen koneeseen, kun kytkin on käyttöasennossa, altistaa onnettomuuksille.
- **Irotta mahdolliset säätöavaimet ennen virran kytkemistä koneeseen.** Koneen pyöriivään osaan kiinnitetty avain voi aiheuttaa henkilövahingon.
- **Älä kurota. Säilytä aina tukeva asento ja tasapaino.** Tämä mahdollistaa koneen paremman hallinnan odottamattomissa tilanteissa.
- **Pukeudu oikein. Älä käytä löysästi istuvia vaatteita tai koruja. Pidä hiukset ja vaatteet etäällä liikkuvista osista.** Löysät vaatteet, korut tai pitkät hiukset voivat tarttua liikkuviin osiin.

- Jos käytävissä on kytkentämahdollisuus pölynerottimelle, varmista, että se kytketään ja että sitä käytetään oikein. Pölynpoiston käyttö voi vähentää pölyyn liittyviä riskejä.
- Vaikka olisit käyttänyt koneita usein ja tuntisit ne hyvin, muista aina ottaa huomioon koneen turvamääräykset. Huolimaton toiminta voi johtaa sekunnin murto-osissa vakaviin loukkaantumisiin.

Koneen käyttö ja huolto

- Älä pakota konetta. Käytä käyttötarkoitukseen sopivaa konetta. Oikea kone tekee työn paremmin ja turvallisemmin nopeudella, jota varten se on suunniteltu.
- Älä käytä konetta, jos virtaa ei voi kytkä ja katkaista virtakytkimellä. Mikä tahansa kone, jota ei voi hallita virtakytkimellä, on vaarallinen, ja se pitää korjata.
- Irrota pistoke pistorasiasta ja/tai akku koneesta, mikäli mahdollista, ennen kuin teet mitään säätöjä, vaihdat lisävarusteita tai varastoit koneita. Nämä varotoimenpiteet estävät koneen käynnistymisen vahingossa.
- Varastoivat käyttämättömät koneet pois lasten ulottuvilta äläkä anna henkilöiden, jotka eivät tunne konetta tai näitä ohjeita, käyttää konetta. Koneet ovat vaarallisia taitamattomien käyttäjien käsissä.
- Pidä koneet ja lisävarusteet hyvässä kunnossa. Tarkista, että liikkuvat osat eivät ole pois paikoiltaan tai juuttuneet ja että mikään osa ei ole murtunut. Tarkista myös kaikki muut tekijät, jotka voivat vaikuttaa koneen toimintaan. Jos kone on vahingoittunut, korjauta se ennen käyttöä. Monet onnettomuudet johtuvat huonosti huolletusta koneesta.
- Pidä leikkuukoneet terävinä ja puhtaina. Oikein huolletut leikkuukoneet, joiden leikkuureunat ovat terävät, eivät juutu kiinni niin helposti ja ovat helpommin hallittavissa.
- Käytä konetta, lisävarusteita, teriä jne. näiden ohjeiden mukaisesti ottaen huomioon työskentelyolosuhteet ja suoritettavan työn laadun. Koneen käyttäminen ennakkoiduista poikkeavissa olosuhteissa voi johtaa vaaratilanteeseen.
- Pidä kahvat ja tarttumapinnat kuivina, puhtaina ja öljyttöminä sekä puhtaana vaseliinista. Jos koneen kahvat tai tarttumapinnat ovat liukkaat, koneen käsittely ja hallinta ei ole turvallista odottamattomissa tilanteissa.

Akkukäyttöisten koneiden käyttö ja huolto

- Lataa akku ainoastaan valmistajan tarkoitukseen nimeämällä laturilla. Tietyntyyppisen akuston soveltuva laturi voi aiheuttaa tulipalon vaaran, jos sitä käytetään toisenlaisen akuston lataamiseen.
- Käytä koneissa ainoastaan niille tarkoitettuja akkuja. Muunlaisten akkujen käyttö voi aiheuttaa tapaturmien tai tulipalon vaaran.
- Kun akkua ei käytetä, pidä se etäällä metalliesineistä, kuten paperiliittimistä, kolikoista, avaimista, nauloista, ruuveista tai muista

pienistä metalliesineistä, jotka saattavat aiheuttaa kosketuksen liitinten välillä. Akkuliitinten saattaminen keskenään oikosulkuun voi aiheuttaa palovammoja tai tulipalon.

- Akusta voi tihkua nestettä väärissä olosuhteissa. Vältä kosketusta akkunesteeseen. Jos akkunestettä joutuu iholle, huuhtelee ihoalue vedellä. Jos neste joutuu kosketuksiin silmien kanssa, ota myös yhteyttä lääkäriin. Akkuneste voi aiheuttaa ihoärsytystä tai palovammoja.
- Älä käytä vaurioitunutta tai muutettua akkua tai konetta. Jos tuotteessa käytetään vaurioituneita tai muutettuja akkuja, tuote ei välttämättä toimi asianmukaisesti. Seurauksena saattaa olla tulipalo, räjähdys tai tapaturma.
- Älä altista akkua tai konetta tuulelle tai korkeille lämpötiloille. Koneen altistuminen tuulelle tai yli 130 °C:n lämpötilalle voi aiheuttaa räjähdyksen.
- Noudata kaikkia latausohjeita äläkä lataa akkua tai konetta ohjeissa määritetyn lämpötila-alueen ulkopuolella. Akun lataaminen väärin tai sallituista lämpötiloista poikkeavissa olosuhteissa voi vahingoittaa akkua ja lisätä tulipalorisikiä.

Huolto

- Anna koneen korjaaminen pätevän korjaajan tehtäväksi. Koneessa saa käyttää vain täysin samanlaisia varaosia. Näin taataan, että koneen käyttöturvallisuus säilyy ennallaan.
- Älä koskaan huolla vahingoittuneita akkuja. Akkuja saavat huoltaa vain valmistaja ja valtuutetut palveluntarjoajat.

Lehtipuhaltimen turvavaroitukset

- Älä käytä lehtipuhallinta huonoissa sääolosuhteissa, etenkin jos salamointi on mahdollista. Näin pienennät salamaiskujen riskiä.
- Käytä suojalaseja. Asianmukaiset suojavarusteet vähentävät henkilövahinkojen riskiä.
- Käytä lehtipuhaltimen käytön aikana aina luistamattomia suojajalkineita. Älä käytä lehtipuhallinta avojaloin tai avoimet sandaalit jalassa. Tämä vähentää jalkojen loukkaantumisen vaaraa.
- Älä käytä löysiä vaatteita tai asusteita, kuten huiveja, nauhoja, ketjuja ja solmioita. Ilmanottoaukot voivat imeä ne sisäänsä. Sido tai peitä pitkät hiukset varmistaaksesi, että ilmanottoaukot eivät ime niitä tuotteen sisään. Jos jokin edellä mainituista joutuu ilmanottoaukkoihin, se voi lisätä henkilövahinkojen riskiä.
- Pidä sivulliset etäällä, kun käytät lehtipuhallinta. Lentävät roskat voivat lisätä henkilövahinkojen riskiä.
- Älä koskaan osoita lehtipuhaltimen suuntinta ihmisten, lemmikkien tai ikkunoiden suuntaan. Käytä erityistä varovaisuutta, kun puhallat roskaa lähellä kiinteitä esineitä, kuten puita, autoja ja seinä. Roskat saattavat kimmota niistä. Lentelevät esineet voivat aiheuttaa omaisuusvahinkoja ja lisätä henkilövahinkojen riskiä.

- **Älä osoita lehtipuhallinta kohti mitään palavaa tai savuavaa, kuten savukkeita, tulitikkuja tai kuumaa tухkaa.** Nämä syttymislähteet voivat lisätä tulipalon vaaraa.
- **Älä koske tuulettimeen sen vielä pyöriessä.** Sammuuta lehtipuhallin ja odota, kunnes tuuletin pysähtyy, ennen kuin irrotat tuuletinta suojaavia osia. Tämä vähentää liikkuvista osista aiheutuvan loukkaantumisen riskiä.
- **Varmista, että virtakytkin on pois päältä, kun poistat jumiutunutta materiaalia tai huollat lehtipuhallinta.** Lehtipuhallimen tahaton käynnistyminen juuttunutta ainesta irrotettaessa tai puhallinta huollettaessa voi johtaa vakavaan henkilövahinkoon.

Yleiset turvallisuusohjeet



VAROITUS: Lue seuraavat varoitukset ennen tuotteen käyttöä.

- Tämä tuote on vaarallinen, jos sitä käytetään huolimattomasti tai virheellisesti. Turvaohjeiden noudattamatta jättäminen voi aiheuttaa vammoja tai kuoleman.
- Tuote muodostaa käytön aikana sähkömagneettisen kentän. Kenttä saattaa joissakin olosuhteissa häiritä aktiivisten tai passiivisten lääketieteellisten implanttien toimintaa. Vakavien tai hengenvaarallisten tapaturmien ehkäisemiseksi kehotamme lääketieteellisiä implanteja käyttäviä henkilöitä neuvottelemaan lääkärin ja lääketieteellisen implantin valmistajan kanssa ennen tuotteen käyttämistä.
- Ole aina varovainen ja käytä tervettä järkeä. Jos et ole varma, miten tuotetta käytetään erityisilanteissa, sammuta tuote ja ota yhteys Husqvarna-jälleenmyyjään, ennen kuin jatkat.
- Muista, että käyttäjä on vastuussa muille ihmisille tai heidän omaisuudelleen aiheutuvista vahingoista.
- Pidä tuote puhtaana. Varmista, että tuotteen merkit ja rarrat ovat luettavissa.
- Älä anna lasten tai henkilöiden, jotka eivät ole tutustuneet näihin ohjeisiin, käyttää laitetta. Paikalliset määräykset saattavat rajoittaa käyttäjän ikää.
- Valvo aina laitetta käyttävää henkilöä, jonka fyysiset tai psyykkiset kyvyt ovat heikentyneet. Vastuullisen aikuisen on oltava aina paikalla.
- Älä käytä tuotetta, jos olet väsynyt tai sairas tai alkoholin, huumaaavien aineiden tai lääkkeiden vaikutuksen alaisena. Niillä on negatiivinen vaikutus näkökykyysi, vireyteesi, harkintakykyysi ja kehosi hallintaan.
- Älä käytä tuotetta, jos se on vahingoittunut tai jos se ei toimi oikein.
- Älä tee tuotteeseen muutoksia tai käytä tuotetta, mikäli epäilet jonkun muun muuttaneen sitä.

Työturvallisuus



VAROITUS: Lue seuraavat varoitukset ennen tuotteen käyttöä.

- Käytä henkilökohtaisia suojavarusteita. Katso kohdasta *Henkilönsuojaimet sivulla 123*.
- Opettele pysäyttämään moottori nopeasti hätätilanteen varalta.
- Älä käytä tuotetta sateella tai märissä olosuhteissa. Sähköiskun vaara kasvaa, jos tuotteeseen pääsee vettä.
- Seiso aina tuotteen takana käyttäessäsi sitä.
- Älä koskaan nosta tuotetta, kun moottori on käynnissä. Jos tuotetta on nostettava, sammuta ensin moottori ja irrota tuotteen akku.
- Älä kävele taaksepäin käyttäessäsi tuotetta.
- Pysäytä moottori, kun tuotetta on kallistettava kuljetusta varten tai ennen kuin siirryt alueille, joilla ei ole ruohoa, esimerkiksi sorasta, kivistä tai asfaltista tehdyille poluille.
- Älä juokse tuotteen kanssa, kun moottori on käynnissä. Kävele aina, kun käytät tuotetta.
- Tuotteen käytön aikainen värinäarvo saattaa olla eri kuin ilmoitettu värinäarvo kohdassa *Tekniset tiedot sivulla 129*. Ero johtuu tuotteen käyttötavan vaihtelusta. Jos käytät tuotetta usein tai pitkään, pidä taukoja säännöllisesti, jotta värinää ei aiheuta vammoja.

Turvallisuusohjeet käyttöä varten



VAROITUS: Lue seuraavat varoitukset ennen tuotteen käyttöä.

- Jos olet epävarma mistään laitteen käyttöön liittyvästä asiasta, kysy neuvoa asiantuntijalta. Käännä jälleenmyyjän tai huoltoliikkeen puoleen. Älä tee mitään sellaista, mihin et katso taitojesi riittävän.
- Varmista, että voit siirtyä ja seisoa turvallisesti. Tarkista, onko ympäristössä esteitä (juuria, kiviä, oksia, kuoppia, oja tai vastaavia), joista voi olla haittaa siirtyessäsi nopeasti. Ole erittäin varovainen työskennellessäsi viettävässä maastossa.
- Seiso aina tasapainoisessa ja tukevassa asennossa. Älä kurota.
- Tarkkaile aina varoitussignaaleja ja -huutoja kuulonsuojaimia käyttäessäsi. Riisu kuulonsuojaimet välittömästi laitteen pysäytyksen jälkeen.
- Älä käytä laitetta avoimien ikkunoiden lähellä.
- Ota huomioon alueella asuvat henkilöt välttämällä tuotteen käyttöä sopimattomina aikoina, esimerkiksi myöhään illalla tai aikaisin aamulla. Noudata paikallisia määräyksiä ja sääddöksiä.
- Käytä tuotetta mahdollisimman pienellä ilmavirralla. Täyttää ilmavirtaa tarvitaan vain harvoin. Monet työvaiheet voidaan tehdä keskitason ilmavirralla.

Pienempi ilmavirtaus vähentää melua ja pölyä. Kerättävät/siirrettävät roskat on myös helpompi pitää hallinnassa.

- Kun käytät laitetta pölyisissä olosuhteissa, kostuta pintaa hieman.
- Irrota kiinni tarttuneet roskat maasta haravalla tai luudalla.
- Pidä puhallusputken suu mahdollisimman lähellä maata.
- Tarkkaile ympäristöä. Suuntaa tuote pois päin ihmisistä, eläimistä, leikkipaikoista ja autoista jne.
- Minimoi puhallusaika kostuttamalla pölyiset alueet kevyesti tai käyttämällä ruiskulaitetta.
- Tarkkaile tuulensuuntaa. Työkentele myötätuuleen työn helpottamiseksi.
- Pysäytä tuote ja poista akku, jos tuotteessa ilmenee epätavallista tärinää.
- Suurten kasojen siirtäminen puhaltimen avulla vie aikaa ja aiheuttaa tarpeetonta melua.
- Siivoa jälkesi. Varmista, ettet ole puhaltanut roskia kenenkään tontille.
- Älä juokse tuotteen kanssa.
- Voimakas ilmavirta pystyy siirtämään esineitä niin suurella nopeudella, että ne voivat kimmota takaisin ja aiheuttaa vakavia silmävammoja.

(Kuva 16)

- Älä suuntaa ilmavirtausta ihmisiä tai eläimiä kohti.
- Pysäytä moottori ennen lisävarusteiden tai muiden osien asennusta tai irrottamista.
- Pidä kaikki kehon osat pois kuumilta pinnoilta.
- Älä koskaan laske käynnissä olevaa laitetta maahan, jos et pysty valvomaan sitä koko ajan.
- Puhallinta ei saa käyttää tikkailla tai telineillä seisten.

(Kuva 17)

- Älä käytä laitetta niin, ettei sinulla onnettomuustapauksessa ole mahdollisuutta kutsua apua.
- Varo sinkoutuvia esineitä. Kivet, roskat yms. saattavat sinkoutua silmiin ja aiheuttaa sokeutumisen tai vakavia vahinkoja.
- Käytä vikavirtasuojaa, niin laitteen lataaminen on turvallisempaa. Vikavirtasuojaa suojaa käyttäjää mahdollisten sähkövikojen varalta.
- Tuote on saanut kiitosta matalasta tärinätasostaan. Liiallinen altistuminen tärinöille saattaa aiheuttaa verisuoni- tai hermovaurioita verenkiertohäiriöistä kärsiville henkilöille. Hakeudu lääkäriin, jos havaitset oireita, jotka voivat liittyä liialliseen tärinöille altistumiseen. Esimerkkejä tällaisista oireista ovat puutumiset, tunnottomuus, kutinat, pistelyt, kipu, voimattomuus tai heikkous, ihon värin tai pinnan muutokset. Näitä oireita esiintyy tavallisesti sormissa, käsissä tai ranteissa.
- Käytä tuotetta vain sille tarkoitettuihin töihin.
- On mahdotonta kuvata kaikkia mahdollisia tilanteita, joita laitteen käytössä voi ilmetä. Ole aina varovainen ja käytä tervettä järkeä. Vältä tilanteita,

mihin et katso taitosi riittävän. Mikäli olet vielä näiden ohjeiden lukemisen jälkeen epävarma menettelytavoista, kysy neuvoa asiantuntijalta ennen jatkamista.

- Pidä tuotteesta aina kiinni oikealla/vasemmallä kädellä. Pidä tuotetta kehosi sivulla.

(Kuva 18)

Henkilönsuojaimet



VAROITUS: Lue seuraavat varoitukset ennen tuotteen käyttöä.

- Käytä aina hyväksytyjä henkilönsuojaimia, kun käytät laitetta. Henkilönsuojaimet eivät poista tapaturmien vaaraa, mutta ne lieventävät vammoja onnettomuus tilanteessa. Anna jälleenmyyjän auttaa oikeiden varusteiden valinnassa.
- Käytä hyväksytyjä kuulonsuojaimia.

(Kuva 19)

- Käytä hyväksytyjä suojalaseja. Visiiriä käytettäessä on käytettävä myös hyväksytyjä suojalaseja. Hyväksytyillä suojalaseilla tarkoitetaan laseja, jotka täyttävät standardin ANSI Z87.1 (Yhdysvallat) tai EN 166 (EU-maat) vaatimukset.

(Kuva 20)

- Käytä tarvittaessa suojakäsineitä.

(Kuva 21)

- Käytä turvajalkineita, joissa on teräskärjet ja luistamattomat pohjat.

(Kuva 22)

- Käytä vahvasta materiaalista valmistettuja vaatteita. Käytä aina vahvakankaisia pitkiä housuja ja pitkähihaista takkia. Vältä liian löysiä vaatteita, jotka tarttuvat helposti risuihin ja oksiiin. Älä käytä koruja, lyhyitä housuja tai sandaaleja. Älä käytä tuotetta avoaloin. Sido hiukset turvallisesti olkapäiden yläpuolelle.
- Pidä ensiaputarvikkeet helposti saatavilla.

(Kuva 23)

Tuotteen turvalaitteet



VAROITUS: Lue seuraavat varoitukset ennen tuotteen käyttöä.

- Tässä osassa kerrotaan laitteen turvaominaisuuksista ja niiden toiminnasta sekä annetaan tarkastus- ja kunnossapito-ohjeet, joilla varmistetaan laitteen toimivuus. Katso kohdasta *Tuotteen kuvaus sivulla 119*, missä osat sijaitsevat tuotteessasi.
- Laitteen käyttöikä voi lyhentyä ja onnettomuusvaara kasvaa, jos laitteen kunnossapitoa ei suoriteta oikein ja jos huoltoa ja/tai korjauksia ei tehdä

ammattitaitoisesti. Saat lisätietoja lähimmästä huoltoliikkeestä.

- Älä koskaan käytä tuotetta, jos sen turvalaitteet ovat vaurioituneet. Laitteen turvalaitteet on tarkastettava ja pidettävä kunnossa tässä osassa esitetyllä tavalla. Jos laitteessasi ilmenee tarkastettaessa puutteita, se on toimitettava huoltoliikkeeseen korjattavaksi.
- Kaikki laitteen huolto- ja korjaustyöt vaativat erikoiskoulutusta. Tämä koskee erityisesti laitteen turvavarustusta. Jos laitteessa havaitaan puutteita alla luetelluissa tarkastuksissa, ota yhteyttä huoltoliikkeeseen. Hankkimalla laitteen meiltä varmistat, että saat sille ammattimaisen korjauksen ja huollon. Jos ostat laitteen muusta kuin huollot suorittavasta ammattiliikkeestä, pyydä myyjää neuvomaan lähin huoltoliike.

Näppäimistön tarkistaminen

1. Paina virtapainiketta (A), kunnes virran merkkivalo (B) syttyy. (Kuva 24)
2. Katso osio *Vianmääritys sivulla 127*, jos varoitusmerkkivalo (C) syttyy tai vilkkuu.

Käyttöliipaisimen tarkistaminen

- Varmista, että käyttöliipaisin liikkuu vapaasti painamalla sitä ja vapauttamalla se. (Kuva 25)

Akkuturvallisuus



VAROITUS: Lue seuraavat varoitukset ennen tuotteen käyttöä.

- Suositeltu akku on 40-B series. Akkujen ohjelmisto on suojattu.
- Käytä ladattavaa 40-B series-akkuja vain kyseisten Husqvarna-laitteiden virtalähteenä. Tapaturmien välttämiseksi akkuja ei saa käyttää muiden laitteiden virtalähteenä.
- Sähköiskun vaara. Älä koske akun napoihin avaimella, ruuvilla tai muilla metalliesineillä. Tämä voi aiheuttaa akun oikosulun.
- Älä käytä akkuja, joita ei voi ladata.
- Älä aseta esineitä akun ilma-aukkoihin.
- Pidä akku suojassa auringonvalolta, kuumuudelta ja avotulelta. Akku voi aiheuttaa palo- ja/tai syöpmisvammoja.
- Suojaa akku sateelta ja kosteilta olosuhteilta.
- Älä altista akkuja mikroaalloille ja korkealle paineelle.
- Älä yritä purkaa tai rikkoa akkuja.
- Älä anna akkuhapon joutua kosketuksiin ihon kanssa. Akkuhappo vahingoittaa ihoa ja aiheuttaa korroosiota ja palovammoja. Jos akkuhappoa joutuu silmisiin, älä hankaa silmiä vaan huuhtelee niitä vedellä vähintään 15 minuuttia. Jos akkuhappoa joutuu iholle, puhdista iho runsaalla vedellä ja saippualla. Hakeudu lääkäriin.
- Käytä akkuja lämpötilan ollessa välillä -10 °C (14 °F) - 40 °C (104 °F).

- Älä pese akkuja tai akkulaturia vedellä. Katso kohta *Laitteen, akun ja akkulaturin puhdistaminen sivulla 127*.
- Älä käytä vaurioitunutta akkuja.
- Säilytä akkuja varastossa kaukana metalliesineistä kuten nauloista, ruuveista ja koruista.
- Pidä akku poissa lasten ulottuvilta.

Akkulaturin turvallisuus



VAROITUS: Lue seuraavat varoitukset ennen tuotteen käyttöä.

- On olemassa sähköiskun tai oikosulun vaara, jos turvaohjeita ei noudateta.
- Käytä vain akun mukana toimitettua akkulaturia. Käytä vain 40-C80-latureita 40-B-sarjan vara-akkujen lataamiseen.
- Älä yritä purkaa akkulaturia.
- Älä käytä akkulaturia, joka on vahingoittunut tai joka ei toimi asianmukaisesti.
- Älä nosta akkulaturia virtajohdosta. Irrota akkulaturi pistorasiasta vetämällä pistoke ulos. Älä vedä virtajohdosta.
- Pidä kaikki kaapelit ja jatkojohdot poissa veden, öljyn ja terävien reunojen ulottuvilta. Varmista, ettei kaapeli jää ovien, aitojen tai muiden vastaavien esineiden väliin.
- Älä käytä akkulaturia herkästi syttyvien materiaalien tai syöpmistä aiheuttavien materiaalien lähellä. Varmista, että akkulaturia ei ole peitetty. Jos havaitset savua tai tulta, irrota akkulaturin pistoke pistorasiasta.
- Lataa akku vain sisätiloissa poissa auringonvalosta ja paikassa, jossa on hyvä ilmanvaihto. Älä lataa akkuja ulkona. Älä lataa akkuja märissä olosuhteissa.
- Käytä akkulaturia vain lämpötilan ollessa välillä 5 °C (41 °F) - 40 °C (104 °F). Käytä laturia kuivassa ja pölyttömässä ympäristössä, jossa on hyvä ilmanvaihto.
- Älä aseta esineitä akkulaturin jäähdytysaukkoihin.
- Älä liitä akkulaturin liittimiä metalliesineisiin, sillä tämä voi aiheuttaa akkulaturin oikosulun.
- Käytä hyväksytyjä ja ehjiä pistorasioita. Varmista, että akkulaturin johto ei ole vahingoittunut. Jos käytät jatkojohtoja, varmista, että ne eivät ole vahingoittuneet.
- Älä lataa akkulaturilla akkuja, jotka eivät sovellu uudelleenlataukseen.

Turvaohjeet huoltoa varten



VAROITUS: Lue seuraavat varoitusohjeet ennen laitteen huoltamista.

- Irrota akku ennen laitteen huoltoa, muita tarkistuksia tai kokoamista.

- Käyttäjän on huolehdittava ainoastaan tässä käyttöohjekirjassa kuvatuista korjaus- ja huoltotoimista. Anna huoltoliikkeen tehdä suuremmat korjaus- ja huoltotoimet.
- Älä pese akkua tai akkulatoria vedellä. Vahvat pesuaineet voivat vaurioittaa muovia.
- Laitteen huoltamatta jättäminen lyhentää sen käyttöikää ja lisää onnettomuusrisiä.
- Laitteen huolto- ja korjaustyöt, erityisesti laitteen turvalaitteille tehtävät työt, vaativat erityiskoulutusta. Jos kaikkia käyttöohjekirjassa lueteltuja tarkastuksia ei huollon jälkeen voida suorittaa hyväksytysti, vie laite huoltoliikkeeseen. Siellä laitteesi huolletaan ja korjataan ammattimaisesti.
- Käytä vain alkuperäisiä varaosia.

Asentaminen

Johdanto



VAROITUS: Lue ja sisäistä turvallisuutta käsittelevä luku ennen laitteen asentamista.

Suuttimen asettaminen

1. Aseta suutin laitteen etuosaan. (Kuva 26)
2. Työnnä sitä sisäänpäin, kunnes kuulet napsahduksen.

Akkulaturin (40-C80) kiinnitys seinään



HUOMAUTUS: Älä käytä sähkökäyttöistä ruuvinväännintä asentaessasi akkulatoria seinään. Sähkökäyttöinen ruuviväännin voi vaurioittaa akkulatoria.

1. Kiinnitä akkulatori seinään kahdella ruuvilla (A). Käytä tarvittaessa ruuvitulppia (B). (Kuva 27)
2. Kiinnitä ruuvireikien tulpat (2 kpl) (C).
3. Kytke akkulaturin virtajohto (D) akkulatoriin ja pistorasiaan.

Käyttö

Johdanto



VAROITUS: Lue ja sisäistä turvallisuutta käsittelevä luku ennen laitteen käyttöä.

Laitteen toiminnan tarkistaminen

1. Tarkista, onko ilmanottoaukossa likaa tai halkeamia. Puhdista tuote ruohosta ja lehdistä harjalla. Katso kohta *Ilmanottoaukon tarkistaminen sivulla 127*.
2. Tarkista, että tuote toimii oikein.
3. Tarkista, että kaikki mutterit ja ruuvit on kiristetty.

Akkua



VAROITUS: Ennen kuin käytät akkua, lue turvallisuutta käsittelevä luku niin, että

ymmärrät sen sisällön. Lue myös akun ja akkulaturin käyttöohje niin, että ymmärrät sen sisällön.

Säilytä akku ja laturi oikeassa lämpötilassa.

	Ympäristön lämpötila
Tuotteen käyttäminen	-5 °C – 40 °C / 23 °F - 104 °F
Akun lataaminen	5 °C – 40 °C / 41 °F - 104 °F

Akun LED-merkkivalo

Näyttö osoittaa akun varaustason ja mahdolliset akkuun liittyvät ongelmat. (Kuva 28)

LED-merkkivalo	Akun varaustila
	40-B140
4 merkkivaloa palaa	Akun varaustaso on 76–100 %.
3 merkkivaloa palaa	Akun varaustaso on 51–75 %.
2 merkkivaloa palaa	Akun varaustaso on 26–50 %.

LED-merkkivalo	Akun varaustila
	40-B140
1 merkkivalo palaa	Akun varaustaso on 6–25 %.
1 merkkivalo vilkkuu	Akun varaustaso on 0–5%.

Akun lataaminen

Lataa akku, jos sitä käytetään ensimmäisen kerran. Uuden akun varaus on vain 30 %.



HUOMAUTUS: Liitä laturi pistorasiaan, jonka jännite ja taajuus ovat tyyppikilven mukaisia.

Akku ei lataudu, jos akun lämpötila on yli 50 °C / 122 °F.

1. Kytke virtajohto akkulaturiin.
2. Liitä akkulaturi maadoitettuun pistorasiaan. Latauksen merkkivalo vilkkuu kerran. (Kuva 29)
3. Kytke akku akkulaturiin. Latauksen merkkivalo syttyy. Lataa akkua enintään 24 tuntia. (Kuva 30)
4. Paina akun merkkivalopainiketta. Jos kaikki merkkivalot syttyvät, akku on ladattu täyteen.
5. Irrota laturi pistorasiasta vetämällä sähköpistokkeesta. Älä vedä virtajohdosta.
6. Irrota akku akkulaturista.

Akun kiinnittäminen laitteeseen



VAROITUS: Käytä tuotteessa vain suositeltua Husqvarna-akkua.

1. Varmista, että akku on täysin ladattu.

2. Työnnä akku akunpidikkeeseen niin, että se napsahtaa paikalleen. Akkua on pystyttävä liikututtamaan helposti. Jos näin ei ole, sitä ei ole asennettu oikein. (Kuva 31)

Tuotteen käynnistäminen

1. Paina käynnistyspainiketta, kunnes vihreä merkkivalo syttyy. (Kuva 32)
2. Käytä laitetta käyttöliipaisimella.

Työn kannalta optimaalisen ilmavirran asettaminen

- Aseta ilmavirta painamalla nopeussäätöpainiketta. Ilmavirran voimakkuusasteita on kolme. (Kuva 33)

Tuotteen pysäyttäminen

1. Vapauta käyttöliipaisin.
2. Paina virtapainiketta, kunnes vihreä merkkivalo sammuu.
3. Paina vapautuspainiketta ja vedä akku ulos. (Kuva 34)

Automaattinen pysäytystoiminto

Laitteessa on automaattinen pysäytystoiminto, joka pysäyttää laitteen, kun sitä ei käytetä. Vihreä virran merkkivalo sammuu, ja tuote pysähtyy 3 minuutin kuluttua.

Huolto

Johdanto



VAROITUS: Lue turvallisuutta käsittelevä luku niin, että ymmärrät sen sisällön, ennen minkäänlaisten huoltotöiden aloittamista.

Huoltokaavio



VAROITUS: Irrota akku ennen huoltotoimia.

Alla on luettelo laitteelle tehtävistä huoltotoimista.

Huolto	Päivittäin	Viikoittain	Kuukausittain
Puhdista laite puhtaalla ja kuivalla liinalla. Älä käytä vettä.	X		
Varmista, että kahvat ovat kuivat ja puhtaat.	X		
Tarkista näppäimistö.	X		
Tarkista käyttöliipaisin.	X		

Huolto	Päivittäin	Viikoittain	Kuukausittain
Varmista, että ruuvit ja mutterit on kiristetty tiukkaan.	X		
Varmista, ettei akku ole vaurioitunut.	X		
Tarkista akun varaustila.	X		
Varmista, että akun vapautuspainikkeet toimivat ja lukitsevat akun laitteeseen.	X		
Varmista, että akkulaturi ei ole vaurioitunut.	X		
Varmista, että kaikki liittimet, liitännät ja johdot ovat puhtaita ja ehjiä.		X	
Tarkista akun, akkulaturin ja laitteen liitännät.			X

Ilmanottoaukon tarkistaminen

- Varmista, että ilmanottoaukossa ei ole tukoksia. (Kuva 35)
- Sammuta tuote ja poista ylimääräinen materiaali tarvittaessa.



HUOMAUTUS: Tukkeutunut ilmanottoaukko heikentää laitteen puhalluskapasiteettia ja nostaa moottorin työlämpötilaa. Tämä voi aiheuttaa moottorivian, koska moottori kuumenee liikaa.

- Tarkista akkulaturi vaurioiden, kuten halkeamien, varalta.
- Varmista, että akkulaturin johto ei ole vaurioitunut ja ettei siinä ole murtumia.

Laitteen, akun ja akkulaturin puhdistaminen

- Puhdista laite käytön jälkeen kuivalla liinalla.
- Puhdista akku ja akkulaturi kuivalla liinalla. Pidä akku ohjauksikot puhtaina.
- Varmista, että akun ja akkulaturin liittimet ovat puhtaat ennen kuin akku asetetaan akkulaturiin tai laitteeseen.

Akun ja akkulaturin tarkistaminen

- Tarkista akku vaurioiden, kuten halkeamien, varalta.

Vianmääritys

Näppäimistö

LED-näyttö	Mahdolliset viat	Mahdolliset ratkaisut
Punainen vian merkkivalo vilkkuu	Lämpötilavaihtelu.	Anna tuotteen jäähtyä.
	Akkuliittimet ovat likaiset tai tuuletin on tukossa.	Puhdista paineilmalla tai pehmeällä harjalla.
	Akku on tyhjä.	Lataa akku.
	Akku on vaurioitunut.	Ota yhteys huoltoliikkeeseen.

Akku

LED-näyttö	Mahdolliset viat	Mahdolliset ratkaisut
Vihreä merkkivalo vilkkuu.	Matala akun jännite.	Lataa akku.

LED-näyttö	Mahdolliset viat	Mahdolliset ratkaisut
Vian merkkivalo vilkkuu.	Lämpötilavaihtelu.	Käytä akkua vain ympäristössä, jonka lämpötila on -5 °C – 40 °C / 23 °F - 104 °F.
	Liian korkea jännite.	Varmista, että verkkojännite vastaa tuotteen kiinnitetyssä arvokilvessä ilmoitettua jännitettä. Irrota akku akkulatorista.
Vian merkkivalo palaa.	Akkukennoston väli liian suuri (1 V).	Ota yhteyttä huoltoiliikkeeseen.

Akkulaturi

LED-näyttö	Mahdolliset viat	Mahdolliset ratkaisut
Latauksen merkkivalo palaa punaisena.	Akkulaturi on vaurioitunut.	Ota yhteyttä huoltoiliikkeeseen.
Latauksen merkkivalo vilkkuu vihreänä.	Akun lämpötila on vaihteluvälin ulkopuolella.	Anna akun jäähtyä tai lämmetä. Kun akun lämpötila on oikea, sitä voi käyttää tai sen voi ladata. Käytä akkulatoria vain ympäristössä, jonka lämpötila on 5 °C – 40 °C / 41 °F - 104 °F.
Latauksen merkkivalo vilkkuu punaisena.	Akku on vaurioitunut.	Ota yhteyttä huoltoiliikkeeseen.

Kuljettaminen, säilyttäminen ja hävittäminen

Kuljetus ja säilytys

- Mukana tulleet litiumioniakut ovat vaarallisten aineiden lainsäädännön määräysten mukaisia.
- Pakkauksessa ja etiketissä olevia kaupallista tavarakuljetusta koskevia erityismääräyksiä on noudatettava, myös kolmansien osapuolten tai huolisijoiden järjestämässä tavarakuljetuksessa.
- Keskustele erityiskoulutuksen saaneen vaarallisten aineiden asiantuntijan kanssa ennen tuotteen lähettämistä. Noudata kaikkia kansallisia määräyksiä.
- Teippaa paljaat liittimet pakatessasi akun. Aseta akku pakettiin tiukasti niin, ettei se pääse liikkumaan.
- Irrota akku varastoinnin tai kuljetuksen ajaksi.
- Säilytä akkua ja akkulatoria kuivassa paikassa, johon ei pääse kosteutta tai huurretta.
- Älä säilytä akkua paikassa, jossa on staattista sähköä. Älä säilytä akkua metallilaatikossa.
- Säilytä akkua tilassa, jonka lämpötila on 5 °C / 41 °F and 25 °C / 77 °F ja jossa se ei ole suorassa auringonvalossa.

- Säilytä akkulatoria tilassa, jonka lämpötila on 5 °C/41 °F and 45 °C/113 °F ja jossa se ei ole suorassa auringonvalossa.
- Käytä akkulatoria vain ympäristössä, jonka lämpötila on 5 °C – 40 °C / 41 °F - 104 °F.
- Lataa akku ennen pitkäaikaista säilytystä niin, että sen varaustaso on 30–50 prosenttia.
- Säilytä tuotetta -40–+60 °C (-40–+140 °F) lämpötilassa.
- Säilytä akkua kuivassa ja suljetussa tilassa.
- Pidä akku erillään akkulatorista varastoinnin aikana. Älä anna lasten tai asiaankuulumattomien henkilöiden koskea laitteeseen. Säilytä laitetta lukollisessa tilassa.
- Puhdista ja huolla tuote huolellisesti ennen pitkäaikaista säilytystä.
- Kiinnitä laite hyvin kuljetuksen ajaksi.

Akun, akkulatorin ja laitteen hävittäminen

Laitteessa tai sen pakkauksessa olevat symbolit osoittavat, ettei laitetta saa hävittää kotitalousjätteen mukana. Vie se asianmukaiseen sähkö- ja

elektroniikkalaitteiden keräyspisteeseen. Tämä auttaa estämään sekä ympäristö- että henkilövahinkoja.

Lisätietoja laitteen kierrätyksestä saat paikallisilta viranomaisilta, kotitalousjätepalvelulta tai jälleenmyyjältä.

Tekniset tiedot

Tekniset tiedot

	122iB
Moottori	
Moottorityyppi	PMDC
Paino	
Paino ilman akkua, kg	1,9
Melupäästöt ja melutasot ^{25 26}	
Äänentehotaso, mitattu dB(A)	92,2
Äänentehotaso, taattu L _{WA} dB(A)	93
Ekvivalentti äänenpainetaso käyttäjän korvan tasalla mitattuna EN IEC 62841-4-6- ja ISO 22868 -standardien mukaan, dB(A):	82,8
Tärinätasot ²⁷	
Kahvojen tärinätasot standardin IEC 62841-4-6 mukaan mitattuna, m/s ²	1,13
Puhallusteho	
Suurin volumetrinen virtausnopeus, m ³ /h	865
Teoreettinen huippunopeus, m/s	53
Keskikapasiteetti, N	11

Ääni- ja tärinätiedot määritetään nimellisen enimmäisnopeuden perusteella.

Huomaus: Ilmoitettu tärinän kokonaisarvo ja melupäästöarvot on mitattu normaalin testimenetelmän mukaisesti, ja sen avulla voi verrata työkaluja keskenään.

Huomaus: Ilmoitettua tärinän kokonaisarvoa ja melupäästöarvoja voidaan käyttää myös altistumisen alustavassa arvioinnissa.

Huomaus: Tuotteen varsinaisen käytön aikana aiheutuvat tärinä- ja melupäästöt saattavat poiketa ilmoitetusta kokonaisarvosta tuotteen käyttötavasta riippuen. Käyttäjän suojaamiseksi on tunnistettava turvatoimet todellisten käyttöolosuhteiden arvioimisen perusteella. Sisällytä kaikki käyttöjakson osat arvioon, kuten ajat, jolloin tuote sammutetaan, ja kun se käy tyhjäkäynnillä käynnistysajan lisäksi.

²⁵ Melupäästöstä ympäristöön äänentehona (L_{WA}) EY-direktiivin 2000/14/EY mukaisesti mitattuna tyypillinen tilastollinen hajonta (keskihajonta) on 1,0 dB(A).

²⁶ Ilmoitetuilla tiedoilla vastaavasta laitteen äänenpainetasosta tyypillinen tilastollinen hajonta (vakiopoitkeama) on 1,3 dB(A).

²⁷ Ilmoitettujen tärinätasotietojen tyypillinen tilastollinen hajonta (vakiopoitkeama) on 1,5 m/s².

Laitteeseen hyväksytyt akut

Akku	40-B140
Tyyppi	Litiumioni
Akun kapasiteetti, Ah	Katso akun tyyppikilpi
Nimellisjännite, V	36
Paino, kg / lb	1,25 / 2,76

Hyväksytyt akkulaturit

Akkulaturi	40-C80
Tulojännite, V	100–240
Taajuus, Hz	50–60
Teho, W	72
Lähtöjännite, VDC/ampeeria, A	43 / 1,6

Vaatimustenmukaisuusvakuutus

EU-vaatimustenmukaisuusvakuutus

Husqvarna AB, SE-561 82 Huskvarna, Ruotsi, puh. +46
36 146500, vakuuttaa täten, että tuote:

Kuvaus	Käsi- ja akkukäyttöinen puhallin
Tuotemerkki	Husqvarna
Tyyppi/malli	122iB
Tunniste	Sarjanumerot vuodesta 2025 alkaen

täyttävät seuraavien EU-direktiivien ja -asetusten vaatimukset sellaisena kuin ne ovat muutettuina:

Asetus	Kuvaus
2006/42/EC	konedirektiivi
2014/30/EU	EMC-direktiivi
2011/65/EU	Direktiivi tietyjen vaarallisten aineiden käytön rajoittamisesta sähkö- ja elektroniikkalaitteissa
2000/14/EC	Melupäästädirektiivi

ja että asiassa sovelletaan seuraavia standardeja ja/tai teknisiä tietoja: EN 62841-1:2015/A11:2022, EN IEC 62841-4-6:2024/A11:2024, EN IEC 63000:2018

EN IEC 55014-1:2021, EN IEC 55014-2:2021

Direktiiviin 2000/14/EY, liitteen V mukaiset ilmoitetut äänenvoimakkuusarvot löydät kohdasta *Tekniset tiedot sivulla 129*.

Huskvarna, 2025-11-03



Claes Losdal, tuotekehityspäällikkö, Husqvarna AB

Teknisestä dokumentaatiosta vastaava edustaja



Sommaire

Introduction.....	132	Dépannage.....	142
Sécurité.....	133	Transport, entreposage et mise au rebut.....	143
Montage.....	139	Caractéristiques techniques.....	143
Utilisation.....	139	Déclaration de conformité.....	146
Entretien.....	141		

Introduction

Aperçu du produit

(Fig. 1)

1. Buse du souffleur
2. Bouton de déverrouillage de la buse de souffleur
3. Clavier
4. Gâchette de puissance
5. Poignée
6. Bouton d'alimentation ON/OFF
7. Témoin d'alimentation
8. Témoin d'avertissement LED d'erreur
9. Bouton de commande de vitesse
10. Supports
11. Indicateur de batterie
12. État de la batterie
13. Témoin d'avertissement de la batterie
14. Bouton de libération de la batterie
15. Batterie
16. Témoin de mise sous tension et avertisseur
17. Connecteur
18. Chargeur de batterie 40-C80
19. Manuel d'utilisation

(Fig. 7)

Étiquette relative aux émissions sonores dans l'environnement selon les directives et réglementations européennes et la législation de la Nouvelle-Galles du Sud « Protection of the Environment Operations (Noise Control) Regulation 2017 ». Le niveau de puissance sonore garanti du produit est spécifié dans la section *Caractéristiques techniques* à la page 143 et sur l'étiquette.

(Fig. 8)

Le produit ou son emballage ne font pas partie des ordures ménagères. Déposez-le dans une station de recyclage pour équipements électriques et électroniques.

(Fig. 9)

Le produit est conforme aux directives CE en vigueur.

(Fig. 10)

Tension nominale, V

(Fig. 11)

Courant continu.

Description du produit

Husqvarna 122iB est un modèle de souffleur équipé d'un moteur électrique.

yyyy wwxxxx

La plaque signalétique indique le numéro de série. **yyyy** est l'année de production, **ww** est la semaine de production et **xxxx** est le numéro séquentiel.

Utilisation prévue

Ce produit est un souffleur portable fiable et facile à utiliser pour toutes les tâches de soufflage et de nettoyage général dans la maison et le jardin.

Remarque: Les autres symboles/autocollants présents sur le produit concernent des exigences de certification spécifiques à certains marchés.

Symboles concernant le produit

(Fig. 2)

AVERTISSEMENT : ce produit peut être dangereux et causer des blessures graves, voire mortelles, à l'opérateur ou à d'autres personnes. soyez prudent et utilisez le produit correctement.

(Fig. 3)

Lisez le manuel d'utilisation et assurez-vous de bien comprendre les instructions avant d'utiliser ce produit.

(Fig. 4)

Utilisez des protections pour les yeux homologuées.

(Fig. 5)

AVERTISSEMENT - Éloignez les personnes à proximité.

(Fig. 6)

Ne les exposez pas à la pluie.

Symboles sur la batterie et/ou son chargeur

(Fig. 12)

Transformateur à sécurité intégrée.

(Fig. 13)

Utilisez et stockez le chargeur de batterie en intérieur uniquement.

(Fig. 14)

Double isolation.

(Fig. 15)

Déposez ce produit dans une station de recyclage pour équipements électriques et électroniques. (Concerne seulement l'Europe)

Symboles de conformité



Ce produit est conforme aux directives applicables du décret français n° 2014-1577. Ne jetez pas ce produit dans les déchets ménagers. Il doit être mis au rebut conformément aux réglementations environnementales locales en vigueur.

Endommagement du produit

Nous ne sommes pas responsables des dommages subis par le produit si :

- le produit n'est pas correctement réparé ;
- le produit est réparé avec des pièces qui ne proviennent pas du fabricant ou qui ne sont pas homologuées par le fabricant ;
- le produit est équipé d'un accessoire qui ne provient pas du fabricant ou qui n'est pas homologué par le fabricant ;
- le produit n'est pas réparé par un centre d'entretien agréé ou par une autorité homologuée.

Fabricant

Husqvarna AB

Drottninggatan 2, SE-561 82 Huskvarna

Sécurité

Définitions de sécurité

Des avertissements, des recommandations et des remarques sont utilisés pour souligner des parties spécialement importantes du manuel.



AVERTISSEMENT: Symbole utilisé en cas de risque de blessures ou de mort pour l'opérateur ou les personnes à proximité si les instructions du manuel ne sont pas respectées.



REMARQUE: Symbole utilisé en cas de risque de dommages pour le produit, d'autres matériaux ou les environs si les instructions du manuel ne sont pas respectées.

Remarque: Symbole utilisé pour donner des informations supplémentaires pour une situation donnée.

Avertissements généraux relatifs à la sécurité de la machine



AVERTISSEMENT: Prenez connaissance de l'ensemble des avertissements, consignes, illustrations et spécifications relatifs à la sécurité fournis avec cette machine. *Le non-respect des consignes énumérées ci-dessous peut être à l'origine d'un choc électrique, d'un incendie et/ou de blessures graves.*

Conservez tous les avertissements et toutes les instructions pour consultation ultérieure.

Remarque: Le terme « machine » utilisé dans les avertissements se rapporte à votre machine sur secteur (filaire) ou à votre machine alimentée par batterie (sans fil).

Sécurité dans la zone de travail

- **Maintenez une zone de travail propre et bien éclairée.** Les espaces encombrés ou sombres exposent à des accidents.
- **N'utilisez pas la machine dans un environnement explosif, dans lequel se trouvent des liquides inflammables, des gaz ou des poussières.** Les machines créent des étincelles qui peuvent provoquer l'inflammation de la poussière ou des vapeurs.
- **Maintenez les enfants et autres personnes à distance pendant le fonctionnement de la machine.** Les distractions peuvent être la cause d'une perte de contrôle de la machine.

Sécurité électrique

- **La fiche de la machine doit être adaptée à la prise de courant. N'apportez jamais de modifications à la fiche. N'utilisez pas de fiches adaptatrices avec des machines mises à la terre.** Des fiches non modifiées et des prises compatibles réduiront le risque d'électrocution.
- **Évitez tout contact physique avec les surfaces mises à la terre telles que les tuyaux, les radiateurs, les cuisinières et les réfrigérateurs.** Le risque d'électrocution est plus important si le corps est relié à la terre.

- **N'exposez pas les machines à la pluie ou à l'humidité.** La pénétration d'eau à l'intérieur de la machine augmente le risque de choc électrique.
- **Ne malmenez pas le cordon. N'utilisez jamais le cordon d'alimentation pour porter, tirer ou débrancher la machine.** Maintenez le cordon d'alimentation à l'écart de la chaleur, de l'huile, de bords tranchants ou de pièces en mouvement. Les cordons endommagés ou emmêlés augmentent le risque d'électrocution.
- **Lors du fonctionnement de la machine en extérieur, utilisez une rallonge appropriée pour une utilisation extérieure.** L'utilisation d'une rallonge prévue pour un usage en extérieur réduit le risque d'électrocution.
- **Si vous n'avez pas d'autre choix que d'utiliser la machine dans un endroit humide, utilisez une alimentation protégée par un disjoncteur différentiel de fuite à la terre (RCD).** L'utilisation d'un RCD réduit le risque de choc électrique.
- **Ne vous donnez pas un faux sentiment de sécurité et ne passez pas outre les règles de sécurité des machines, même si vous êtes déjà familiarisé avec la machine après l'avoir beaucoup utilisée.** Une manipulation inattentive peut entraîner de graves blessures en une fraction de seconde.

Utilisation et entretien de la machine

- **Ne forcez pas en utilisant la machine. Utilisez la machine adaptée à votre travail.** La machine appropriée permettra de mieux réaliser la tâche, de manière plus sûre, au régime prévu.
- **N'utilisez pas la machine si l'interrupteur ne permet pas la mise sous tension et l'arrêt.** Toute machine qui ne peut pas être contrôlée par son interrupteur est dangereuse et doit être réparée.
- **Débranchez la fiche de la prise et/ou retirez la batterie, si celle-ci est amovible, avant de procéder aux réglages, de changer d'accessoires ou de ranger la machine.** De telles mesures préventives réduisent le risque de démarrage accidentel de la machine.
- **Rangez les machines non utilisées hors de portée des enfants. N'autorisez pas des personnes qui n'ont pas lu ces instructions et ne sont pas familières avec l'utilisation de la machine à se servir de celle-ci.** Les machines sont dangereuses entre les mains de personnes inexpérimentées.
- **Entretenez les machines et les accessoires. Vérifiez que les pièces mobiles sont correctement alignées et ne coïncent pas, qu'aucune pièce n'est cassée, et contrôlez l'absence de toute autre situation susceptible d'altérer le fonctionnement de la machine. En cas de dommages, faites réparer la machine avant de l'utiliser.** De nombreux accidents résultent d'un mauvais entretien des machines.
- **Maintenez les machines de coupe aiguisées et propres.** Des machines de coupe correctement entretenues, avec des bords tranchants aiguisés, sont moins susceptibles de se coincer et sont plus faciles à contrôler.
- **Utilisez la machine, les accessoires et les embouts, etc. conformément à ces instructions, en tenant compte des conditions de travail et de la tâche à réaliser.** L'utilisation de la machine pour des applications différentes de celles pour lesquelles elle a été conçue peut être la cause d'une situation dangereuse.
- **Les poignées et les surfaces de maintien doivent toujours être propres, sèches et sans traces d'huile ni de graisse.** Des poignées et surfaces de poignée glissantes ne permettent pas une utilisation et un contrôle sûrs de la machine en cas de situation imprévue.

Utilisation et entretien d'une machine à batterie

- **Ne rechargez la machine qu'avec le chargeur indiqué par le fabricant.** Un chargeur convenant à

Sécurité du personnel

- **Soyez attentif, restez concentré sur le travail en cours et utilisez la machine de manière raisonnable. N'utilisez pas la machine si vous êtes fatigué ou sous l'influence de drogues, d'alcool ou de médicaments.** Il suffit d'un moment d'inattention pendant le fonctionnement de la machine pour se blesser gravement.
- **Utilisez un équipement de protection individuel. Travaillez toujours avec des protections pour les yeux.** Les équipements de protection tels que les masques anti-poussière, les chaussures de sécurité antidérapantes, le casque ou les protège-oreilles utilisés dans les conditions appropriées réduisent les blessures corporelles.
- **Évitez tout démarrage intempestif. Assurez-vous que l'interrupteur est en position d'arrêt avant de brancher l'alimentation électrique et/ou le bloc de batteries, de saisir la machine ou de la transporter.** Il est dangereux de porter la machine en conservant le doigt sur l'interrupteur ou de brancher la machine à l'alimentation électrique alors que l'interrupteur est en position marche.
- **Retirez tout outil de réglage ou clé avant d'allumer la machine.** Un outil ou une clé relié à une pièce rotative de la machine peut causer des blessures.
- **Ne vous penchez pas trop loin. Restez toujours en équilibre et sur vos appuis.** Cela permet de mieux contrôler la machine dans des situations inattendues.
- **Habillez-vous correctement. Ne portez jamais de vêtements amples ou de bijoux. Éloignez vos cheveux et vos vêtements des pièces mobiles.** Les vêtements amples, les bijoux et les cheveux longs peuvent rester coincés dans les pièces mobiles.
- **Si des dispositifs sont fournis pour raccorder des systèmes de collecte de la poussière et d'aspirateur industriel, vérifiez qu'ils sont correctement branchés et utilisés.** L'utilisation de systèmes d'aspirateurs peut réduire les risques associés à la poussière.

- un type de bloc de batteries particulier peut entraîner un risque d'incendie s'il est utilisé avec un autre bloc.
- **Utilisez uniquement les batteries prévues à cet effet dans les machines.** L'utilisation d'une autre batterie peut entraîner un risque de blessure et d'incendie.
 - **Lorsque la batterie n'est pas utilisée, maintenez-la à distance d'objets métalliques, tels que des trombones, pièces de monnaie, clés, clous, vis, ou autres petits objets en métal risquant de relier une borne à l'autre.** Court-circuiter les bornes de batterie entraîne un risque de brûlures et d'incendie.
 - **En cas d'utilisation abusive, du liquide peut s'échapper de la batterie ; évitez tout contact. En cas de contact accidentel, rincez à l'eau. En cas de contact avec les yeux, consultez un médecin.** Le liquide échappé de la batterie peut causer irritations et brûlures.
 - **N'utilisez pas une batterie ou une machine endommagée ou altérée.** Les batteries endommagées ou altérées peuvent présenter un comportement imprévisible pouvant provoquer un incendie, une explosion ou un risque de blessure.
 - **N'exposez pas une batterie ou une machine au feu ou à des températures trop élevées.** L'exposition au feu ou à des températures supérieures à 130 °C / 265 °F peut provoquer une explosion.
 - **Respectez toutes les instructions de charge et ne chargez pas la batterie ou la machine en dehors de la plage de température spécifiée dans les instructions.** Ne pas charger la batterie correctement ou la charger à des températures comprises en dehors de la plage spécifiée peut endommager la batterie et augmenter le risque d'incendie.

Entretien

- **Confiez la réparation de votre machine à du personnel spécialisé et qualifié qui utilisera uniquement des pièces de rechange d'origine.** Cela garantit le maintien de la sécurité de la machine.
- **N'entretenez jamais des batteries endommagées.** L'entretien des batteries doit être effectué uniquement par le fabricant ou des fournisseurs de services agréés.

Avertissements de sécurité relatifs au souffleur de feuilles

- **N'utilisez pas le souffleur de feuilles par mauvais temps, en particulier lorsqu'il y a un risque de foudre.** Cela permet de réduire le risque d'être frappé par la foudre.
- **Portez des protections pour les yeux.** Un équipement de protection adéquat réduira le risque de blessure.
- **Lors de l'utilisation du souffleur de feuilles, portez toujours des chaussures de protection antidérapantes. N'utilisez pas le souffleur de feuilles si vous êtes pieds nus ou si vous portez des sandales.** Vous réduisez ainsi le risque de blessures au niveau des pieds.

- **Ne portez pas de vêtements amples ou d'accessoires tels que des écharpes, des chaînes, des cravates, etc., qui pourraient être aspirés dans les entrées d'air. Si vous avez des cheveux longs, attachez-les ou couvrez-les pour éviter qu'ils ne soient aspirés par les entrées d'air.** Si l'un de ces éléments est aspiré par les entrées d'air, cela peut augmenter le risque de blessure.
- **Maintenez les autres personnes présentes à l'écart pendant l'utilisation du souffleur de feuilles.** Les débris projetés peuvent augmenter le risque de blessures.
- **Ne dirigez jamais la buse du souffleur de feuilles vers des personnes, des animaux ou vers les fenêtres.** Soyez particulièrement prudent lorsque vous soufflez des débris à proximité d'éléments fixes, tels que des arbres, des véhicules et des murs, qui peuvent faire rebondir les débris. Les objets projetés peuvent endommager les biens et augmenter le risque de blessures.
- **N'utilisez pas le souffleur de feuilles pour souffler des objets brûlants ou incandescents, comme des cigarettes, des allumettes ou des cendres chaudes.** Ces sources d'inflammation peuvent augmenter le risque d'incendie.
- **Ne touchez pas le ventilateur lorsque celui-ci est en mouvement. Arrêtez le souffleur de feuilles et attendez que le ventilateur s'arrête avant de retirer toute pièce pouvant donner accès au ventilateur.** Vous réduisez ainsi le risque de blessures dues aux pièces mobiles.
- **Lors du retrait des débris végétaux coincés ou de l'entretien du souffleur de feuilles, assurez-vous que l'interrupteur d'alimentation est en position d'arrêt.** Un démarrage inattendu du souffleur de feuilles lorsque vous dégagez les débris végétaux coincés ou que vous procédez à l'entretien peut entraîner de graves blessures.

Instructions générales de sécurité



AVERTISSEMENT: lisez les instructions qui suivent avant d'utiliser le produit.

- Ce produit est dangereux s'il est utilisé de manière incorrecte ou imprudente. Des blessures graves ou mortelles peuvent se produire si vous ne respectez pas les instructions de sécurité.
- Ce produit génère un champ électromagnétique durant son fonctionnement. Ce champ peut dans certaines circonstances perturber le fonctionnement d'implants médicaux actifs ou passifs. Pour réduire le risque de blessures graves ou mortelles, nous recommandons aux personnes portant des implants médicaux de consulter leur médecin et le fabricant de leurs implants avant d'utiliser ce produit.
- Soyez toujours prudent et utilisez votre bon sens. Si vous ne savez pas comment faire fonctionner le produit dans une situation particulière, ne l'utilisez

pas et contactez votre revendeur Husqvarna avant de poursuivre.

- N'oubliez pas que l'opérateur sera tenu responsable des accidents occasionnés à des tiers et à leurs biens.
- Maintenez le produit propre. Assurez-vous que vous pouvez lire clairement les avertissements et les autocollants.
- N'autorisez jamais des enfants ou des personnes qui ne sont pas familiarisées avec ces instructions à se servir de cet appareil. Les réglementations locales peuvent limiter l'âge de l'utilisateur.
- Surveillez constamment les personnes aux capacités physiques ou mentales réduites qui utilisent ce produit. Un adulte responsable doit être présent à tout moment.
- N'utilisez jamais le produit si vous êtes fatigué ou malade, ou si vous êtes sous l'emprise d'alcool, de drogues ou de médicaments. Cela a un effet négatif sur votre vision, votre vigilance, votre coordination et votre jugement.
- N'utilisez pas le produit s'il est endommagé ou s'il ne fonctionne pas correctement.
- Ne modifiez jamais le produit et ne l'utilisez jamais s'il est susceptible d'avoir été modifié par un tiers.

Sécurité du travail



AVERTISSEMENT: lisez les instructions qui suivent avant d'utiliser le produit.

- Utilisez un équipement de protection individuel. Reportez-vous à la section *Équipement de protection individuel* à la page 137.
- Assurez-vous de savoir comment couper le moteur rapidement en cas d'urgence.
- Le produit ne doit pas être exposé à la pluie ou à l'humidité. Le risque de choc électrique augmente si de l'eau pénètre dans le produit.
- Restez toujours derrière le produit lorsque vous l'utilisez.
- Ne soulevez jamais le produit quand le moteur est mis en marche. Si vous devez soulever le produit, arrêtez le moteur puis retirez la batterie.
- Ne marchez pas vers l'arrière lorsque vous utilisez le produit.
- Arrêtez le moteur lorsqu'il est nécessaire d'incliner le produit pour le transport ou avant de vous déplacer dans des zones sans herbe, par exemple des chemins avec des graviers, des pierres et en asphalte.
- Ne courez pas lorsque vous utilisez le produit et que le moteur est mis en marche. Vous devez toujours marcher lorsque vous utilisez le produit.
- Les vibrations dans le produit pendant le fonctionnement peuvent être différentes de la valeur de vibration indiquée à la section *Caractéristiques techniques* à la page 143. Cette différence est due

à des variations dans la façon d'utiliser le produit. Si vous utilisez le produit fréquemment ou pendant de longues périodes, faites régulièrement des pauses pour éviter les blessures dues aux vibrations.

Instructions de sécurité pour le fonctionnement



AVERTISSEMENT: lisez les instructions qui suivent avant d'utiliser le produit.

- En cas de doute concernant la marche à suivre, consultez un expert. Adressez-vous à votre revendeur ou à votre atelier d'entretien. Évitez les tâches pour lesquelles vous ne vous sentez pas suffisamment qualifié.
- Assurez-vous de pouvoir vous tenir debout et vous déplacer en toute sécurité. Repérez les éventuels obstacles (racines, pierres, branches, fossés, etc.) en cas de déplacement soudain. Observez la plus grande prudence lorsque vous travaillez sur des terrains en pente.
- Soyez bien en équilibre, les pieds d'aplomb, à tout moment. Ne vous penchez pas trop loin.
- Soyez toujours attentif aux signaux d'avertissement ou aux cris lorsque vous portez des protège-oreilles. Enlevez toujours vos protège-oreilles dès que le produit s'arrête.
- N'utilisez pas le produit à proximité d'une fenêtre ouverte.
- Respectez le voisinage en évitant d'utiliser le produit à des heures indues, par exemple tard le soir ou tôt le matin. Respectez les réglementations et ordonnances en vigueur.
- Utilisez le produit au flux d'air le plus faible. L'utilisation du flux d'air maximal est rarement nécessaire et de nombreux travaux peuvent être effectués à demi-régime. L'utilisation d'un flux d'air plus faible limite les nuisances sonores et la production de poussière. Cela permet également de contrôler plus facilement les déchets à rassembler/déplacer.
- Dans des conditions poussiéreuses, humidifiez légèrement la surface lors de l'utilisation du produit.
- Utilisez un râteau ou un balai pour dégager les déchets enfouis dans le sol.
- Maintenez l'embout du tube de soufflage le plus près possible du sol.
- Restez attentif à votre environnement. Dirigez le produit loin des personnes, des animaux, des aires de jeux, des voitures, etc.
- Réduisez la durée de soufflage en humidifiant légèrement les zones poussiéreuses ou en utilisant un pulvérisateur.
- Tenez compte de la direction du vent. Le travail est plus facile s'il est effectué dans la direction du vent.
- Arrêtez le produit et retirez la batterie si le produit se met à vibrer de façon anormale.

- L'utilisation du souffleur pour déplacer des monticules importants de déchets prend beaucoup de temps tout en étant inutilement bruyante.
- Nettoyez une fois le travail terminé. Assurez-vous que des déchets n'ont pas été accidentellement projetés dans un jardin voisin.
- Ne courez pas avec le produit.
- Le puissant jet d'air peut déplacer des objets à une telle vitesse qu'ils peuvent, en cas de ricochet, causer de graves blessures aux yeux.

(Fig. 16)

- Ne dirigez jamais le flux d'air vers des personnes ou des animaux.
- Arrêtez le moteur avant d'installer ou de retirer les accessoires ou d'autres composants.
- Maintenez toutes les parties de votre corps à distance des surfaces chaudes.
- Ne posez jamais le produit au sol lorsqu'il est en marche, sauf si vous pouvez le surveiller.
- Le souffleur ne doit pas être utilisé sur des échelles ou des échafaudages.

(Fig. 17)

- N'utilisez pas le produit s'il n'est pas possible d'appeler au secours en cas d'accident.
- Attention aux objets projetés. Des cailloux, débris et autres peuvent être projetés dans les yeux et causer des blessures très graves, voire la cécité.
- Utilisez un disjoncteur différentiel de fuite à la terre (RCI) pour plus de sécurité lors de la charge du produit. Un disjoncteur différentiel de fuite à la terre permet de protéger les opérateurs en cas de défaut électrique.
- Ce produit est reconnu pour ses faibles vibrations. Une exposition excessive aux vibrations peut entraîner des troubles circulatoires ou nerveux chez les personnes sujettes à des troubles cardio-vasculaires. Consultez un médecin en cas de symptômes liés à une exposition excessive aux vibrations. Voici les symptômes possibles : engourdissement, perte de sensibilité, chatouillements, picotements, douleur, faiblesse musculaire, décoloration ou modification épidermique. Ces symptômes affectent généralement les doigts, les mains ou les poignets.
- Utilisez le produit uniquement pour les travaux auxquels il est destiné.
- Il est impossible de prévoir toutes les situations que vous pouvez rencontrer. Soyez toujours prudent et utilisez votre bon sens. Évitez les situations que vous n'êtes pas sûr de maîtriser. Si, après avoir lu ces instructions, vous n'êtes toujours pas sûr de la procédure à suivre, demandez conseil à un expert avant de poursuivre.
- Tenez toujours le produit des deux mains. Tenez le produit sur le côté du corps.

(Fig. 18)

Équipement de protection individuel



AVERTISSEMENT: lisez les instructions qui suivent avant d'utiliser le produit.

- Portez toujours un équipement de protection individuel homologué lorsque vous utilisez le produit. L'équipement de protection individuel ne protège pas complètement des blessures, mais il diminue la gravité des blessures en cas d'accident. Faites appel à votre revendeur pour vous aider à sélectionner l'équipement adéquat.
- Utilisez des protège-oreilles homologués.

(Fig. 19)

- Utilisez des protections pour les yeux homologuées. L'usage d'une visière doit toujours s'accompagner du port de lunettes de protection homologuées. Les lunettes de protection doivent être conformes aux normes ANSI Z87.1 (États-Unis) ou EN 166 (pays de l'UE).

(Fig. 20)

- Utilisez des gants si nécessaire.

(Fig. 21)

- Portez des bottes de protection avec coques en acier et des semelles antidérapantes.

(Fig. 22)

- Portez des vêtements fabriqués dans un matériau résistant. Portez toujours des pantalons longs, épais et des manches longues. Ne portez pas de vêtements amples qui risqueraient de se prendre dans les brindilles et les branches. Ne portez pas de bijoux, de pantalon court ou de sandales. Ne travaillez pas pieds nus. Attachez vos cheveux de façon sécurisée au-dessus de vos épaules.
- Gardez toujours une trousse de premiers soins à portée de main.

(Fig. 23)

Dispositifs de sécurité sur le produit



AVERTISSEMENT: lisez les instructions qui suivent avant d'utiliser le produit.

- Cette section présente les fonctions de sécurité, les instructions d'utilisation, de contrôle et d'entretien du produit afin de garantir son bon fonctionnement. Consultez les instructions à la section *Aperçu du produit à la page 132* pour savoir où se trouvent les différents composants de votre produit.
- La durée de vie du produit risque d'être écourtée et le risque d'accidents accru si l'entretien du produit n'est pas effectué correctement et si les mesures d'entretien et/ou de réparation ne sont pas effectuées de manière professionnelle. Pour plus

d'informations, contactez l'atelier de réparation du revendeur le plus proche.

- N'utilisez jamais un produit dont les équipements de sécurité sont endommagés. Contrôlez et entretenez les équipements de sécurité du produit conformément aux instructions données dans ce chapitre. Si les contrôles du produit ne donnent pas de résultat positif, contactez votre atelier spécialisé pour le faire réparer.
- L'entretien et la réparation du produit exigent une formation spéciale. Cela concerne particulièrement l'équipement de sécurité du produit. Si les contrôles suivants ne donnent pas un résultat positif, adressez-vous à un atelier spécialisé. L'achat de l'un de nos produits offre à l'acheteur la garantie d'un service et de réparations qualifiés. Si le point de vente n'assure pas ce service, adressez-vous à l'atelier spécialisé le plus proche.

Pour contrôler le clavier

1. Appuyez sur le bouton ON/OFF (A) et maintenez-le enfoncé jusqu'à ce que le témoin d'alimentation (B) s'allume. (Fig. 24)
2. Reportez-vous à la section *Dépannage à la page 142* si le témoin d'avertissement (C) s'allume ou clignote.

Pour contrôler la gâchette de puissance

- Appuyez brièvement sur la gâchette de puissance pour vous assurer qu'elle bouge librement. (Fig. 25)

Consignes de sécurité relatives à l'utilisation de la batterie



AVERTISSEMENT: lisez les instructions qui suivent avant d'utiliser le produit.

- La batterie recommandée est 40-B series. Les batteries sont codées par logiciel.
- Utilisez la batterie 40-B series rechargeable en tant que source d'alimentation électrique pour les produits Husqvarna uniquement. Afin d'éviter toute blessure, n'utilisez pas la batterie comme source d'alimentation pour d'autres produits.
- Risque de choc électrique. Ne branchez pas les bornes de la batterie à des clés, des vis ou tout autre élément métallique. Cela peut provoquer un court-circuit de la batterie.
- N'utilisez pas de batteries non rechargeables.
- Ne placez pas d'objets dans les fentes d'aération de la batterie.
- Protégez la batterie des rayons directs du soleil, de la chaleur et des flammes nues. La batterie peut provoquer des brûlures et/ou des brûlures chimiques.
- Protégez la batterie de la pluie et de l'humidité.
- Protégez la batterie des micro-ondes et des hautes pressions.

- N'essayez pas de démonter ou de casser la batterie.
- Ne laissez pas l'acide de batterie entrer en contact avec votre peau. L'acide de batterie provoque des blessures cutanées, de la corrosion et des brûlures. Si vous recevez de l'acide de batterie dans les yeux, ne les frottez pas : rincez-les abondamment à l'eau pendant au moins 15 minutes. Si de l'acide de batterie a touché votre peau, nettoyez-la abondamment à l'eau et au savon. Consultez un médecin.
- Utilisez la batterie à une température comprise entre -10 °C (14 °F) et 40 °C (104 °F).
- Ne nettoyez pas la batterie ou le chargeur de batterie avec de l'eau. Consultez la section *Pour nettoyer le produit, la batterie et le chargeur de batterie à la page 142*.
- N'utilisez pas une batterie endommagée.
- Conservez les batteries en stock à distance des objets métalliques, tels que les clous, les vis ou les bijoux.
- Tenez la batterie hors de portée des enfants.

Consignes de sécurité relatives au chargeur de batterie



AVERTISSEMENT: lisez les instructions qui suivent avant d'utiliser le produit.

- Risque de choc électrique ou de court-circuit si les instructions de sécurité ne sont pas respectées.
- n'utilisez pas d'autres chargeurs de batterie que celui fourni pour votre produit. Utilisez uniquement des chargeurs 40-C80 lorsque vous chargez des batteries de recharge de la série 40-B.
- N'essayez pas de démonter le chargeur de batterie.
- N'utilisez pas un chargeur de batterie endommagé ou qui ne fonctionne pas correctement.
- Ne soulevez pas le chargeur de batterie par le cordon d'alimentation. Pour débrancher le chargeur de batterie d'une prise de courant murale, tirez sur la fiche. Ne tirez pas le cordon d'alimentation.
- Éloignez tous les câbles et toutes les rallonges de l'eau, de l'huile et des bords tranchants. Veillez à ce que le câble ne soit pas coincé dans des objets tels que des portes, des clôtures ou tout autre équipement similaire.
- N'utilisez pas le chargeur de batterie à proximité de matériaux inflammables ou de matériaux pouvant provoquer la formation de corrosion. Assurez-vous que le chargeur de batterie n'est pas couvert. En cas de dégagement de fumée ou de début d'incendie, débranchez aussitôt la fiche reliée au chargeur de batterie.
- Rechargez la batterie uniquement en intérieur, dans un endroit bien aéré et à l'abri de la lumière. Ne chargez pas la batterie à l'extérieur. Ne rechargez pas la batterie dans des conditions humides.

- Utilisez le chargeur de batterie à une température comprise entre 5 °C (41 °F) et 40 °C (104 °F) uniquement. Utilisez le chargeur dans un environnement bien ventilé, sec et exempt de poussière.
- Ne placez pas d'objets dans les fentes de refroidissement du chargeur de batterie.
- Ne raccordez pas les bornes du chargeur de batterie à des objets métalliques car cela peut court-circuiter le chargeur de batterie.
- Utilisez des prises de courant murales homologuées et non endommagées. Assurez-vous que le cordon d'alimentation du chargeur de batterie n'est pas endommagé. Si des câbles de rallonge sont utilisés, assurez-vous que ceux-ci ne sont pas endommagés.
- Ne placez aucune batterie non rechargeable dans le chargeur de batterie.
- Retirez la batterie avant tout entretien, contrôle ou assemblage du produit.
- L'utilisateur ne doit effectuer que les travaux de maintenance et d'entretien décrits dans ce manuel d'utilisation. Adressez-vous à votre revendeur pour toute opération de maintenance et d'entretien de plus grande ampleur.
- Ne nettoyez pas la batterie ou le chargeur de batterie avec de l'eau. L'utilisation de détergents agressifs peut endommager le plastique.
- Un défaut d'entretien réduit le cycle de vie du produit et augmente le risque d'accidents.
- Une formation spéciale est nécessaire pour tous les travaux d'entretien et de réparation, en particulier pour les dispositifs de sécurité sur le produit. Si tous les contrôles spécifiés dans ce manuel d'utilisation ne sont pas validés après l'entretien, consultez votre revendeur. Nous garantissons la disponibilité d'un service de réparation et d'entretien professionnel pour votre produit.
- Utilisez uniquement les pièces de rechange d'origine.

Consignes de sécurité pour l'entretien



AVERTISSEMENT: Lisez les instructions qui suivent avant d'effectuer l'entretien du produit.

Montage

Introduction



AVERTISSEMENT: Assurez-vous de lire et de comprendre le chapitre dédié à la sécurité avant de monter l'appareil.

Pour installer la buse

1. Placez la buse sur l'extrémité avant du produit. (Fig. 26)
2. Appuyez sur la buse jusqu'à entendre un clic.

Installation du chargeur de batterie 40-C80 sur un mur



REMARQUE: n'utilisez pas de tournevis électrique pour installer le chargeur de batterie sur le mur. Un tournevis électrique peut endommager le chargeur de batterie.

1. Fixez le chargeur de batterie sur le mur à l'aide des 2 vis (A). Utilisez des chevilles murales (B) si nécessaire. (Fig. 27)
2. Fixez les 2 capuchons de trou de vis (C).
3. Branchez le cordon d'alimentation (D) au chargeur de batterie et sur une prise de courant murale.

Utilisation

Introduction



AVERTISSEMENT: Assurez-vous de lire et de comprendre le chapitre dédié à la sécurité avant d'utiliser l'appareil.

Pour effectuer un contrôle du fonctionnement avant d'utiliser le produit

1. Vérifiez que l'admission d'air ne présente ni fissures ni saletés. Utilisez une brosse et retirez l'herbe et les feuilles coincées dans le produit. Reportez-vous à la section *Pour contrôler la prise d'air à la page 141*.
2. Contrôlez le bon fonctionnement du produit.
3. Contrôlez toutes les vis et tous les écrous et assurez-vous qu'ils sont serrés.

Batterie



AVERTISSEMENT: Avant d'utiliser la batterie, vous devez lire et comprendre le chapitre sur la sécurité. Vous devez également lire et comprendre le manuel

Témoin LED	État de la batterie (état de charge)
	40-B140
4 voyants LED sont allumés	La batterie est chargée à 76 % - 100 %.
3 voyants LED sont allumés	La batterie est chargée à 51 % - 75 %.
2 voyants LED sont allumés	La batterie est chargée à 26 % - 50 %.
1 voyant LED est allumé	La batterie est chargée à 6 % - 25 %.
1 voyant LED clignote	La batterie est chargée à 0 % - 5 %.

Pour charger la batterie

chargez la batterie si vous l'utilisez pour la première fois. Une batterie neuve n'est chargée qu'à 30 %.



REMARQUE: branchez le chargeur de batterie sur une prise de courant à la tension et à la fréquence indiquées sur la plaque signalétique.

La batterie ne charge pas si la température de la batterie est supérieure à 50 °C/122 °F.

1. Branchez le cordon d'alimentation sur le chargeur de batterie.
2. Branchez le chargeur de batterie sur une prise de courant mise à la terre. La LED de charge clignote une fois. (Fig. 29)
3. Insérez la batterie dans le chargeur de batterie. La LED de charge s'allume. Chargez la batterie pendant 24 heures au maximum. (Fig. 30)
4. Appuyez sur le bouton d'indicateur de batterie. Si tous les témoins LED s'allument, la batterie est complètement chargée.

d'utilisation de la batterie et du chargeur de batterie.

Maintenez la batterie et le chargeur de batterie à des températures ambiantes correctes.

	Température ambiante
Fonctionnement du produit	-5 °C – 40 °C / 23 °F - 104 °F
Charge de la batterie	5 °C – 40 °C / 41 °F - 104 °F

Indicateur LED de batterie

L'écran indique l'état de charge ainsi que tout problème éventuel lié à la batterie. (Fig. 28)

5. Tirez sur la prise électrique pour débrancher le chargeur de batterie de la prise de courant. Ne tirez pas le cordon d'alimentation.
6. Dégagez la batterie du chargeur de batterie.

Pour fixer la batterie au produit



AVERTISSEMENT: Utilisez uniquement la batterie Husqvarna recommandée du produit.

1. Assurez-vous que la batterie est complètement chargée.
2. Poussez la batterie dans le support de batterie jusqu'à ce que entendre un clic. La batterie doit bouger facilement. Si ce n'est pas le cas, elle n'est pas installée correctement. (Fig. 31)

Pour démarrer le produit

1. Appuyez sur le bouton marche et maintenez-le enfoncé jusqu'à ce que la LED verte s'allume. (Fig. 32)
2. Utilisez la gâchette de puissance pour utiliser le produit.

Pour régler le débit d'air optimal

- Appuyez sur le bouton de commande de vitesse pour régler le débit d'air. Il existe 3 niveaux de débit d'air. (Fig. 33)

Pour arrêter le produit

- Relâchez la gâchette de puissance.
- Appuyez sur le bouton d'alimentation et maintenez-le enfoncé jusqu'à ce que la LED verte s'éteigne.

- Appuyez sur le bouton de libération et sortez la batterie. (Fig. 34)

Fonction d'arrêt automatique

Le produit est équipé d'une fonction d'arrêt automatique qui arrête le produit s'il n'est pas utilisé. Le témoin d'alimentation LED vert s'éteint et le produit s'arrête au bout de 3 minutes.

Entretien

Introduction



AVERTISSEMENT: Avant d'effectuer des travaux d'entretien, vous devez lire et comprendre le chapitre sur la sécurité.

Calendrier d'entretien



AVERTISSEMENT: Retirez la batterie avant d'effectuer l'entretien.

La liste ci-dessous indique les étapes d'entretien à effectuer sur le produit.

Entretien	Tous les jours	Toutes les semaines	Mensuel
Nettoyez le produit avec un chiffon sec et propre. N'utilisez pas d'eau.	X		
Assurez-vous que les poignées sont sèches et propres.	X		
Contrôlez le clavier.	X		
Contrôlez la gâchette de puissance.	X		
Assurez-vous que les écrous et les vis sont serrés.	X		
Assurez-vous que la batterie n'est pas endommagée.	X		
Contrôlez le niveau de charge de la batterie.	X		
Assurez-vous que les boutons de déverrouillage de la batterie ne sont pas endommagés et verrouillent la batterie dans le produit.	X		
Assurez-vous que le chargeur de batterie n'est pas endommagé.	X		
Assurez-vous que tous les raccords, connexions et câbles sont propres et en bon état.		X	
Contrôlez les connexions sur la batterie, sur le chargeur de batterie et sur le produit.			X

Pour contrôler la prise d'air

- Assurez-vous que la prise d'air n'est pas obstruée. (Fig. 35)
- Arrêtez le produit et retirez les matériaux indésirables si nécessaire.



REMARQUE: Une prise d'air obstruée réduit la capacité de soufflage du produit et augmente la température

de travail du moteur. Cela peut entraîner une défaillance du moteur car celui-ci devient trop chaud.

Pour examiner la batterie et le chargeur de batterie

- Examinez la batterie pour détecter tout dommage, par exemple des fissures.

- Examinez le chargeur de batterie pour détecter tout dommage, par exemple des fissures.
- Assurez-vous que le cordon de raccordement du chargeur de batterie n'est pas endommagé et qu'il n'est pas fissuré.
- Nettoyez la batterie et le chargeur de batterie avec un chiffon sec. Veillez à maintenir les rails guides de la batterie en parfait état de propreté.
- Assurez-vous que les bornes de la batterie et du chargeur de batterie sont propres avant d'insérer la batterie dans le chargeur ou le produit.

Pour nettoyer le produit, la batterie et le chargeur de batterie

- Nettoyez le produit avec un chiffon sec après utilisation.

Dépannage

Clavier

Écran à LED	Défaillances possibles	Solutions possibles
La LED d'erreur rouge clignote	Écart de température.	Laissez le produit refroidir.
	Saleté dans les connecteurs de batterie ou le ventilateur est bloqué.	Nettoyez à l'aide d'air comprimé ou d'une brosse douce.
	La batterie est vide.	Rechargez la batterie.
	La batterie est endommagée.	Contactez votre atelier d'entretien.

Batterie

Écran à LED	Défaillances possibles	Solutions possibles
La LED verte clignote.	Tension de batterie faible.	Rechargez la batterie.
La LED d'erreur clignote.	Écart de température.	Utilisez la batterie à une température comprise entre -5 °C – 40 °C / 23 °F - 104 °F.
	Tension trop élevée.	<p>Veillez à ce que la tension secteur soit conforme aux valeurs sur la plaque signalétique du produit.</p> <p>Dégagez la batterie du chargeur de batterie.</p>
La LED d'erreur est allumée.	L'écart de tension entre les cellules est trop important (1 V).	Contactez votre atelier d'entretien.

Chargeur de batterie

Écran à LED	Défaillances possibles	Solutions possibles
Le témoin LED de charge est rouge fixe.	Le chargeur de batterie est endommagé.	Contactez votre atelier d'entretien.

Écran à LED	Défaillances possibles	Solutions possibles
Le témoin LED de charge clignote en vert.	La température de la batterie est en dehors de la plage de charge.	Laissez la batterie refroidir ou réchauffez-la. Lorsque la température de la batterie est correcte, elle peut à nouveau être utilisée ou rechargée. Utilisez le chargeur de batterie à des températures ambiantes comprises entre 5 °C – 40 °C / 41 °F - 104 °F.
Le témoin LED de charge clignote en rouge.	La batterie est endommagée.	Contactez votre atelier d'entretien.

Transport, entreposage et mise au rebut

Transport et stockage

- Les batteries Li-Ion fournies respectent les exigences de la législation sur les marchandises dangereuses.
- Vous devez respecter l'exigence spécifique relative à l'emballage et aux étiquettes pour le transport commercial, y compris par des tiers et des transitaires.
- Consultez un expert en matières dangereuses avant d'expédier le produit. Respectez les lois nationales en vigueur.
- Mettez du ruban adhésif sur les contacts lorsque vous placez la batterie dans un emballage. Placez la batterie dans l'emballage de façon hermétique pour empêcher tout mouvement.
- Retirez la batterie lors du stockage ou du transport.
- Placez la batterie et le chargeur de batterie dans un endroit sec, à l'abri de l'humidité et du gel.
- Ne conservez pas la batterie dans un endroit présentant un risque d'électricité statique. Ne conservez pas la batterie dans une boîte métallique.
- Conservez la batterie dans un endroit où la température est comprise entre 5 °C / 41 °F and 25 °C / 77 °F et à l'abri de la lumière du soleil.
- Conservez le chargeur de batterie dans un endroit où la température est comprise entre 5 °C / 41 °F and 45 °C / 113 °F et à l'abri de la lumière du soleil.
- N'utilisez le chargeur de batterie que si la température ambiante est de 5 °C – 40 °C / 41 °F - 104 °F.

- Chargez la batterie entre 30 % et 50 % avant de la remiser pendant des périodes prolongées.
- Entrez le produit dans un endroit où la température est comprise entre -40 °C (-40 °F) et 60 °C (140 °F)
- Conservez le chargeur de batterie dans un local fermé et sec.
- Conservez la batterie à l'écart du chargeur lors du rangement. Ne laissez pas des enfants ou d'autres personnes non autorisées toucher l'équipement. Conservez l'équipement dans un local verrouillable.
- Nettoyez le produit et effectuez un entretien complet avant de remiser le produit pendant des périodes prolongées.
- Fixez le produit pour le transporter.

Mise au rebut de la batterie, du chargeur de batterie et du produit

Les symboles figurant sur le produit ou son emballage indiquent que ce produit ne fait pas partie des ordures ménagères. Déposez-le dans une station de recyclage pour équipements électriques et électroniques. Ceci permet d'éviter les dangers pour l'environnement et les personnes.

Contactez les autorités locales, le service des ordures ménagères ou votre revendeur pour plus d'informations sur le recyclage de votre produit.

Caractéristiques techniques

Caractéristiques techniques

	122iB
Moteur	
Type de moteur	PMDC

	122iB
Poids	
Poids sans batterie, kg	1,9
Émissions sonores, niveau sonore, ^{28 29}	
Niveau de puissance acoustique mesuré, dB (A)	92,2
Niveau de puissance acoustique garanti L _{WA} , dB (A)	93
Niveau de pression sonore équivalent à l'oreille de l'utilisateur, mesuré selon les normes EN CEI 62841-4-6 et ISO 22868, dB (A) :	82,8
Niveaux de vibrations ³⁰	
Niveaux de vibrations aux poignées selon la norme EN CEI 62841-4-6, m/s ²	1,13
Performances du ventilateur	
Débit volumétrique maximal, m ³ /h	865
Vitesse théorique maximale, m/s	53
Force de soufflage, N	11

Les données sur le son et les vibrations sont déterminées sur la base du régime maximal.

Remarque: Les valeurs totales de vibrations déclarées et les valeurs d'émissions sonores déclarées résultent d'une mesure conforme à une méthode d'essai standard et peuvent être utilisées pour comparer un outil à un autre.

Remarque: Les valeurs totales de vibrations déclarées et les valeurs d'émissions sonores déclarées

peuvent également être utilisées dans le cadre d'une évaluation préliminaire de l'exposition.

Remarque: Les émissions sonores et de vibrations durant l'utilisation du produit peuvent différer de la valeur totale déclarée en fonction de la manière dont le produit est utilisé. Il est nécessaire d'identifier des mesures de sécurité afin de protéger l'opérateur, sur la base d'une estimation de l'exposition dans les conditions réelles d'utilisation. Incluez toutes les phases du cycle de fonctionnement dans l'estimation, y compris les périodes où le produit est éteint et tourne au ralenti, ainsi que la période de démarrage.

Batteries homologuées pour le produit

Batterie	40-B140
Type	Lithium-ion
Capacité de la batterie, Ah	Reportez-vous à l'autocollant de capacité de la batterie
Tension nominale, V	36
Poids, kg/lb	1,25/2,76

²⁸ Les émissions sonores dans l'environnement mesurées comme puissance sonore (L_{WA}) selon la directive CE 2000/14/CE, présentent une dispersion statistique typique (déviations standard) de 1,0 dB (A).

²⁹ Les données reportées pour le niveau de pression sonore équivalent pour la machine montrent une dispersion statistique typique (déviations standard) de 1,3 dB (A).

³⁰ Les données reportées pour le niveau de vibrations montrent une dispersion statistique typique (déviations standard) de 1,5 m/s².

Chargeurs de batterie homologués

Chargeur de batterie	40-C80
Tension d'entrée, V	100-240
Fréquence, Hz	50-60
Puissance, W	72
Tension de sortie, V c.c./Ampères, A	43 / 1,6

Déclaration de conformité

Déclaration de conformité EU

Nous, **Husqvarna AB**, SE-561 82 Huskvarna, SUÈDE,
tél : +46-36-146500, déclarons sous notre entière
responsabilité que le produit :

Description	Souffleur portatif alimenté par batterie
Marque	Husqvarna
Type/Modèle	122iB
Identification	Les numéros de série à partir de 2025 et ultérieurs

est conforme aux directives et réglementations
européennes suivantes, telles que modifiées :

Réglementation	Description
2006/42/CE	« relative aux machines »
2014/30/UE	« relative à la compatibilité électromagnétique »
2011/65/UE	« relative à la limitation de l'utilisation de certaines substances dangereuses au sein d'équipements électriques et électroniques »
2000/14/EC	« relative aux émissions sonores dans l'environnement »

et que les normes et/ou les spécifications techniques
suivantes sont appliquées : EN 62841-1:2015/A11:2022,
EN IEC 62841-4-6:2024/A11:2024, EN IEC 63000:2018
EN IEC 55014-1:2021, EN IEC 55014-2:2021

Conformément à la directive 2000/14/CE, annexe V, voir
la section *Caractéristiques techniques à la page 143*
pour consulter les valeurs sonores déclarées.

Huskvarna, 2025-11-03

Claes Losdal, responsable R&D, Husqvarna AB
Responsable de la documentation technique



Sadržaj

Uvod.....	147	Rješavanje problema.....	155
Sigurnost.....	148	Prijevoz, spremanje i zbrinjavanje.....	156
Sastavljanje.....	153	Tehnički podaci.....	157
Rad.....	153	Izjava o sukladnosti.....	159
Održavanje.....	154		

Pregled proizvoda

(Sl. 1)

1. Mlaznica puhača
2. Gumb za otpuštanje mlaznice puhača
3. Tipkovnica
4. Okidač paljenja
5. Ručka
6. Gumb ON/OFF (uključivanje/isključivanje)
7. Indikator napajanja
8. LED indikator upozorenja na pogrešku
9. Gumb za upravljanje brzinom
10. Nosači
11. Gumb indikatora baterije
12. Status baterije
13. Indikator upozorenja za bateriju
14. Gumbi za otpuštanje baterije
15. Baterija
16. Indikator uključenog napajanja i upozorenja
17. Priključak
18. Punjač baterije 40-C80
19. Korisnički priručnik

u okolišu (kontrola buke) iz 2017".
Zajamčena razina jačine zvuka proizvoda naznačena je u odjeljku *Tehnički podaci na stranici 157* i na naljepnici.

- (Sl. 8) Ni proizvod ni njegova ambalaža ne spadaju u kućanski otpad. Reciklirajte ga u reciklažnoj stanici za električnu i elektroničku opremu.
- (Sl. 9) Proizvod ispunjava primjenjive direktive EZ-a.
- (Sl. 10) Nazivni napon, V
- (Sl. 11) Istosmjerna struja.

yyyy wwx000x | Na natpisnoj pločici nalazi se serijski broj. **yyyy** je godina proizvodnje, **ww** je tjedan proizvodnje, a **000x** je redni broj.

Opis proizvoda

Husqvarna 122iB model je puhača s električnim motorom.

Namjena

Ovaj je proizvod pouzdan i jednostavan ručni puhač za sve zadatke puhanja i čišćenja u cijelom domu i vrtu.

Simboli na proizvodu

- (Sl. 2) **UPOZORENJE:** Ovaj proizvod može biti opasan i izazvati teške ozljede ili smrt rukovatelja ili drugih osoba. Budite oprezni i pravilno upotrebljavajte ovaj proizvod.
- (Sl. 3) Prije upotrebe proizvoda pažljivo pročitajte priručnik za rukovatelja i dobro usvojite upute.
- (Sl. 4) Upotrebljavajte odobrenu zaštitu za oči.
- (Sl. 5) **UPOZORENJE** – promatračima onemogućite pristup.
- (Sl. 6) Nemojte izlagati kiši.
- (Sl. 7) Naljepnica emisije buke u okolišu u skladu s direktivama i propisima EU te propisom Novog Južnog Walesa „Zaštita od radova

Napomena: Drugi simboli/naljepnice na proizvodu odnose se na zahtjeve za certifikaciju za pojedina tržišta.

Simboli na bateriji i/ili punjaču baterija

- (Sl. 12) Sigurnosni transformator.
- (Sl. 13) Punjač baterije upotrebljavajte i čuvajte isključivo u zatvorenom prostoru.
- (Sl. 14) Dvostruka izolacija.

(Sl. 15) Reciklirajte ovaj proizvod u reciklažnoj stanici za električnu i elektroničku opremu. (Primjenjuje se samo u Europi)

Oštećenje proizvoda

U sljedećim okolnostima nećemo biti odgovorni za oštećenja proizvoda:

- proizvod nepravilno popravljen
- proizvod popravljen dijelovima koje nije proizveo proizvođač ili nemaju odobrenje proizvođača
- proizvod ima dodatnu opremu koje nije proizveo proizvođač ili nemaju odobrenje proizvođača

- proizvod nije popravljen u odobrenom servisnom centru ili kod ovlaštene osobe.

Drottninggatan 2, SE-561 82 Huskvarna

Proizvođač

Husqvarna AB

Sigurnost

Sigurnosne definicije

Upozorenjima, oprezima i napomenama naglašavaju se posebno važni dijelovi priručnika.



UPOZORENJE: Koristi se kada nepoštivanje uputa iz priručnika može uzrokovati smrt ili ozljede rukovatelja ili promatrača.



OPREZ: Koristi se kada nepoštivanje uputa iz priručnika može uzrokovati oštećenje proizvoda ili drugih materijala u neposrednoj blizini.

Napomena: Koristi se prikaz neophodnih dodatnih informacija za zadanu situaciju.

Opća sigurnosna upozorenja za stroj



UPOZORENJE: Pročitajte sva sigurnosna upozorenja, upute, ilustracije i specifikacije isporučene s ovim strojem. *Nepoštivanje svih uputa u nastavku može uzrokovati električni udar, požar i/ili ozbiljne ozljede.*

Spremite sva upozorenja i upute za buduću primjenu.

Napomena: *Pojam „stroj“ u upozorenjima odnosi se na stroj napajan iz strujne mreže (žični) ili baterijski (bežični) stroj.*

Sigurnost na radnom mjestu

- **Radno mjesto mora biti čisto i dobro osvijetljeno.** Zakrčeni i tamni prostori čest su uzrok nesreća.
- **Nemojte koristiti stroj u eksplozivnim atmosferama, primjerice u prisutnosti zapaljivih tekućina, plinova ili prašine.** Strojevi mogu iskrenjem zapaliti prašinu ili isparenja.
- **Tijekom upotrebe stroja djeci i promatračima onemogućite pristup.** Odvlačenje pozornosti može dovesti do gubitka kontrole nad uređajem.

Električna sigurnost

- **Utičkači stroja moraju odgovarati utičnicama. Utičkač ni pod kojim uvjetima nemojte preinačavati. S uzemljenim strojevima nemojte upotrebljavati**

adapterske utikače. Neizmijenjeni utikači i odgovarajuće utičnice smanjuju opasnost od strujnog udara.

- **Izbjegavajte tjelesni kontakt s uzemljenim površinama kao što su cijevi, radijatori, štednjaci i hladnjaci.** Ako vam je tijelo uzemljeno, povećava se opasnost od strujnog udara.
- **Strojeve nemojte izlagati kiši ili mokrim uvjetima.** Voda koja prodire u stroj povećava opasnost od strujnog udara.
- **Pazite na kabel. Kabel nemojte upotrebljavati za prenošenje, povlačenje ili isključivanje stroja. Kabel držite podalje od vrućine, ulja, oštih rubova ili pokretnih dijelova.** Oštećeni ili isprepleteni kabeli povećavaju opasnost od strujnog udara
- **Kada stroj upotrebljavate na otvorenom, morate upotrebljavati odgovarajući produžni kabel.** Upotrebom kabela predviđenog za rad na otvorenom smanjujete opasnost od strujnog udara.
- **Ako stroj morate upotrebljavati na vlažnom mjestu, upotrijebite uređaj zaštićen zaštitnim uređajem diferencijalne struje (RCD).** Primjenom zaštitnog uređaja diferencijalne struje (RCD) smanjuje se opasnost od strujnog udara.

Osobna sigurnost

- **Budite usredotočeni, pazite što radite i razumno upotrebljavajte stroj. Stroj nemojte upotrebljavati umorni ili pod djelovanjem droga, alkohola ili lijekova.** U trenutku nepažnje tijekom upotrebe stroja može doći do ozbiljnih tjelesnih ozljeda.
- **Upotrebljavajte osobnu zaštitnu opremu. Uvijek nosite zaštitu za oči.** Upotreba zaštitne opreme poput maske za prašinu, protukliznih zaštitnih cipela, kacige i štitnika za uši u odgovarajućim uvjetima smanjuje opasnost od osobnih ozljeda.
- **Spriječite nehotično pokretanje stroja. Prije podizanja ili prenošenja alata ili pak njegova priključivanja na napajanje i/ili bateriju prekidač mora biti u isključenom položaju.** Držanje prsta na prekidaču prilikom prenošenja strojeva ili priključivanja napajanja stroja na kojima je prekidač uključen povećava opasnost od nezgode.
- **Prije uključivanja stroja izvadite sve klinove za prilagođavanje ili ključ.** Ako ključ ili klin ostanu na pokretnom dijelu stroja, može doći do tjelesnih ozljeda.
- **Ne posežite predaleko. Uvijek imajte dobar oslonac i održavajte ravnotežu.** To omogućuje bolju kontrolu stroja u neočekivanim situacijama.

- **Nosite prikladnu odjeću. Nemojte nositi široku odjeću ni nakit.** Kosu i odjeću držite podalje od pomičnih dijelova. Široka odjeća, nakit ili duga kosa mogu zapeti u pokretnim dijelovima stroja.
- **Ako su priloženi uređaji za povezivanje mehanizama za izdvajanje i prikupljanje prašine, pripazite na njihovo pravilno priključivanje i upotrebu.** Upotreba mehanizma za prikupljanje prašine može smanjiti opasnosti uzrokovane prašinom.
- **Ne dopustite da vas uljiljka lažni osjećaj sigurnosti i nemojte zanemarivati sigurnosna pravila koja se odnose na elektroalat čak ni kada ste se, nakon višekratne uporabe, upoznali s radom elektroalata.** Neoprezan rad u djeliću sekunde može uzrokovati ozbiljnu ozljedu.
- **Stroj upotrebljavajte samo uz posebno namijenjene baterijske komplete.** Upotreba bilo kojeg drugog baterijskog kompleta može izazvati rizik od ozljede i požara.
- **Kad baterijski komplet ne upotrebljavate, držite ga dalje od drugih metalnih predmeta poput spojnice za papir, novčića, ključeva, čavala, vijaka ili drugih malih metalnih predmeta koji mogu spojiti priključke.** Kratki spoj priključaka baterije može uzrokovati opekline ili požar.
- **U uvjetima lošeg postupanja, iz baterije može štrcnuti tekućina; izbjegavajte dodir s njom. Ako slučajno dođe do dodira, isperite vodom. Ako tekućina dođe u dodir s očima, potražite i liječničku pomoć.** Tekućina koja štrcne iz baterije može izazvati iritacije ili opekline.
- **Nemojte upotrebljavati oštećene ili modificirane baterijske pakete ili stroj.** Oštećene ili izmijenjene baterije mogu se ponašati nepredvidivo te uzrokovati požar, eksploziju ili opasnost od ozljede.
- **Baterijski komplet ili stroj nemojte izlagati plamenu ili neumjerenim temperaturama.** Izlaganje vatri ili temperaturama većima od 130 °C / 265 °F može dovesti do eksplozija.
- **Pridržavajte se svih uputa za punjenje, a baterijski komplet ili stroj nemojte puniti izvan temperaturnog raspona navedenog u uputama.** Neispravno punjenje ili držanje na temperaturama izvan navedenog raspona može oštetiti bateriju i povećati mogućnost od požara.

Upotreba i održavanje stroja

- **Stroj nemojte preopterećivati.** Upotrebljavajte stroj koji odgovara namjeni. Odgovarajućim strojem posao ćete obaviti bolje i sigurnije, brzinom za koju je konstruiran.
- **Stroj nemojte upotrebljavati ako ga nije moguće uključiti i isključiti prekidačem.** Stroj kojim ne možete upravljati s prekidačem opasan je i mora se popraviti.
- **Prije bilo kakvih izmjena, zamjene dodatne opreme ili spremanja stroja, odspojite utikač od izvora napajanja i/ili izvadite baterijski paket iz stroja, ako je to moguće.** Ove preventivne sigurnosne mjere smanjuju opasnost od nehotičnog pokretanja stroja.
- **Strojeve koje ne upotrebljavate uskladištite izvan dohvata djece, a osobama koje nisu upoznate sa strojem ili ovim uputama nemojte dopustiti njegovu upotrebu.** Strojevi mogu biti opasni kada njima rukuju neiskusni korisnici.
- **Održavajte stroj i dodatnu opremu. Provjerite usklađenost i povezanost pokretnih dijelova, cjelovitost dijelova te sva druga stanja koja mogu utjecati na rad stroja. Ako postoje oštećenja, stroj popravite prije upotrebe.** Brojne nezgode uzrokovane su lošim održavanjem strojeva.
- **Rezni strojevi moraju biti oštri i čisti.** Ispravno održavani rezni strojevi s oštrim reznim rubovima teže se zaglavljuju i lakše ih je kontrolirati.
- **Stroj, dodatnu opremu, svrdla itd. upotrebljavajte u skladu s ovim uputama, uzimajući u obzir uvjete rada i posao koji je potrebno obaviti.** Upotreba stroja za radove za koje nije namijenjen može uzrokovati opasne situacije.
- **Ručke i prihvatne površine moraju biti suhe, čiste i bez tragova ulja i masti.** Skijske ručke i rukohvati otežavaju sigurno rukovanje i kontrolu nad strojem u neočekivanim situacijama.

Upotreba i održavanje baterijskog stroja

- **Bateriju puniti samo punjačem koji navodi proizvođač.** Punjač prikladan za jednu vrstu baterije može uzrokovati opasnost od požara ako se upotrebljava s drugim baterijskim kompletom.

Usluga

- **Servisiranje stroja prepustite kvalificiranoj stručnoj osobi i upotrebljavajte isključivo identične rezervne dijelove.** Time se osigurava održavanje sigurnosti stroja.
- **Oštećene baterijske komplete nikada nemojte servisirati.** Servisiranje baterijskih kompleta dopušteno je samo proizvođaču ili ovlaštenim servisnim distributerima.

Sigurnosna upozorenja za vrtni puhač

- **Izbjegavajte upotrebu vrtnog puhača tijekom loših vremenskih uvjeta, pogotovo ako postoji opasnost od gmljavinskog nevremena.** Time smanjujete opasnost od udara munje.
- **Nosite zaštitu za oči.** Prikladna zaštitna oprema ublažava opasnost od osobne ozljede.
- **Tijekom rada s vrtnim puhačem obavezno nosite protukliznu i zaštitnu obuću.** Vrtni puhač nemojte upotrebljavati bosonogi ni u otvorenim sandalama. Time smanjujete opasnost od ozljeđivanja stopala.
- **Nemojte nositi široku odjeću ili predmete poput šalova, vrpce, lanaca, vezica itd., koji bi se mogli uvući u otvore za zrak. Zavežite ili prekrijte dugu kosu kako se ne bi uvučila u otvore za zrak.** Ako se bilo koji od tih predmeta uvuče u ulaze za zrak, može povećati opasnost od tjelesnih ozljeda.

- Tijekom rada s vrtnim puhačem onemogućite prilaz promatračima. Odbačeni otpaci mogu povećati opasnost od tjelesnih ozljeda.
- Mlaznica puhača nemojte usmjeravati prema ljudima ili kućnim ljubimcima niti u smjeru prozora. Budite posebno oprezni prilikom puhanja otpada u blizini čvrstih predmeta poput drveća, automobila i zidova koji mogu uzrokovati odbijanje otpada. Odbačeni predmeti mogu oštetiti imovinu i povećati opasnost od tjelesnih ozljeda.
- Nemojte usmjeravati vrtni puhač u nešto što gori ili se dimi, kao što su cigarete, žigice ili vrući pepeo. Ti izvori paljenja mogu povećati opasnost od požara.
- Nemojte dodirivati ventilator dok je još u pokretu. Isključite vrtni puhač i pričekajte da se ventilator zaustavi prije nego što uklonite bilo koji dio koji bi mogao omogućiti pristup ventilatoru. Time smanjujete opasnost od ozljeđivanja na pokretnim dijelovima.
- Prilikom uklanjanja zaglavljenog materijala ili servisiranja vrtnog puhača provjerite je li prekidač za napajanje isključen. Neočekivano pokretanje vrtnog puhača tijekom uklanjanja zaglavljenog materijala ili servisiranja može uzrokovati ozbiljne tjelesne ozljede.

Opće sigurnosne upute



UPOZORENJE: Prije upotrebe proizvoda pročitajte upute upozorenja u nastavku.

- Proizvod je opasan ako ga koristite nepravilno ili ako niste oprezni. Nepoštivanje sigurnosnih uputa može uzrokovati ozljede ili smrt.
- Proizvod tijekom rada proizvodi elektromagnetsko polje. To polje u određenim okolnostima može ometati aktivne ili pasivne medicinske implantate. Za smanjenje opasnosti od smrtonosne ozljede osobama s medicinskim implantatima prije korištenja uređaja preporučujemo obraćanje liječniku i proizvođaču medicinskog implantata.
- Uvijek budite pažljivi i razumni. Ako u posebnim situacijama niste sigurni u način upotrebe stroja, prije nastavka stanite i obratite se svom distributeru tvrtke Husqvarna.
- Imajte na umu kako se rukovatelj smatra odgovornim za nezgode koje uključuju druge osobe ili njihovo vlasništvo.
- Proizvod održavajte čistim. Znakovi i naljepnice moraju biti jasno čitljivi.
- Djeci ili osobama koje nisu upoznate s ovim uputama ne dopuštajte da upotrebljavaju uređaj. Dob korisnika može biti ograničena lokalnim propisima.
- Osobu smanjenih fizičkih ili mentalnih sposobnosti obavezno nadzirite tijekom uporabe proizvoda. Cijelo vrijeme mora biti prisutna odgovorna odrasla osoba.

- Proizvod nemojte upotrebljavati kada ste umorni, bolesni ili pod utjecajem alkohola, droge ili lijekova. To negativno utječe na vaš vid, pažnju, koordinaciju i prosudbu.
- Nemojte upotrebljavati proizvod ako je oštećen ili neispravan.
- Nemojte izmjenjivati proizvod ili ga upotrebljavati ako postoji mogućnost da je izmijenjen.

Sigurnost pri radu



UPOZORENJE: Prije upotrebe proizvoda pročitajte upute upozorenja u nastavku.

- Upotrebljavajte osobnu zaštitnu opremu. Pogledajte *Oprema za osobnu zaštitu na stranici 151*.
- Naučite brzo zaustaviti motor u slučaju nužde.
- Proizvod nemojte pogoniti na kiši ni u mokrim uvjetima. Ako voda prođe u proizvod, povećava se opasnost od električnog udara.
- Tijekom rukovanja proizvodom obavezno budite iza njega.
- Proizvod nikada nemojte podizati kada je motor pokrenut. Ako morate podići proizvod, zaustavite motor i uklonite bateriju.
- Tijekom rada s proizvodom nemojte hodati unatrag.
- Zaustavite motor kada je proizvod nužno nagnuti radi transporta ili prelaska preko površina bez trave, primjerice šljunčanih, kamenih ili asfaltnih putova.
- Nemojte trčati s proizvodom kada je motor pokrenut. Obavezno hodajte tijekom rada s proizvodom.
- Vibracije na proizvodu u pogonu mogu se razlikovati od vrijednosti vibracija navedenih pod *Tehnički podaci na stranici 157*. Razlikuju uzrokuju varijacije u načinu upotrebe proizvoda. Ako proizvod često pogonite dugo, redovito zaustavite kako biste spriječili ozljede uzrokovane vibriranjem.

Sigurnosne upute za rad



UPOZORENJE: Prije upotrebe proizvoda pročitajte upute upozorenja u nastavku.

- Ako dođete u situaciju u kojoj niste sigurni što napraviti, obratite se stručnjaku. Obratite se zastupniku ili serviseru. Izbjegavajte sve situacije koje bi mogle nadilaziti vaše sposobnosti.
- Osigurajte sigurno kretanje i stav. Provjerite ima li u okolnom području prepreka (korijenja, kamenja, grana, rupa i slično) za slučaj naglog kretanja. Budite izuzetno oprezni pri radu na kosini.
- Obavezno održavajte ravnotežu i stabilan položaj. Ne posežite predaleko.
- Uvijek pazite na znakove upozorenja ili dovike prilikom upotrebe zaštite sluha. Obavezno uklonite zaštitu sluha odmah po zaustavljanju proizvoda.

- Proizvod nemojte upotrebljavati u blizini otvorenih prozora.
- Budite obzirni prema obližnjim osobama i proizvod nemojte upotrebljavati u neprikladno vrijeme, npr. kasno navečer ili rano ujutro. Poštujte lokalne propise i uredbe.
- Proizvod upotrebljavajte s najnižim mogućim protokom zraka. Rijetko je potrebno upotrebljavati puni protok zraka, a brojni radni postupci mogu provesti s pola protoka zraka. Manji protok zraka znači manje buke i prašine, a lakše je i zadržati kontrolu nad smećem koje se sakuplja/premješta.
- U prašnjavim uvjetima lagano namočite površinu dok koristite proizvod.
- Otpad zalijepljen za tlo uklonite grabljama ili četkom.
- Otvor puhača držite što bliže tlu.
- Pratite okolinu. Proizvod usmjerite od ljudi, životinja, igrališta, automobila, itd.
- Laganim ovlaživanjem prašnjava područja ili upotrebom opreme za raspršivanje vrijeme puhanja smanjite na minimum.
- Pazite na smjer puhanja vjetra. Da bi rad bio lakši, radite uz vjetar.
- Ako proizvod počne neuobičajeno vibrirati, zaustavite ga i uklonite bateriju.
- Premještanje većih hrpa puhačem dugotrajno je i stvara nepotrebnu buku.
- Nakon rada počistite za sobom. Otpad nemojte otpuhati u nečiji vrt.
- Nemojte trčati s proizvodom.
- Snažne zračne struje predmete mogu pomicati brzinom koja može uzrokovati odbijanje i uzrokovati teške ozljede očiju.

(Sl. 16)

- Mlaz zraka nemojte usmjeravati prema ljudima ili životinjama.
- Prije postavljanja ili uklanjanja dodatne opreme ili drugih dijelova obavezno zaustavite motor.
- Izbjegavajte tjelesni kontakt sa svim vrućim površinama.
- Uklučen proizvod dopušteno je spustiti samo ako ga možete nadzirati.
- Puhač se ne smije upotrebljavati na ljestvama ili skelama.

(Sl. 17)

- Proizvod nemojte upotrebljavati ako niste u mogućnosti pozvati pomoć u slučaju nezgode.
- Pazite na izbačene predmete. Kamenje, otpaci i sl. mogu biti izbačeni u oči i uzrokovati sljepilo ili ozbiljne ozljede.
- Za povećanje sigurnosti pri punjenju proizvoda upotrebljavajte zaštitni uređaj diferencijalne struje (RCI). Zaštitni uređaj diferencijalne struje ugrađen je za zaštitu rukovatelja u slučaju električnog kvara.
- Proizvod je poznat po niskoj razini vibracija. Preveliko izlaganje vibracijama može uzrokovati poremećaj cirkulacije ili oštećenje živčanog

sustava kod ljudi sa slabom cirkulacijom. Ako imate simptome uzrokovane prevelikim izlaganjem vibracijama, obratite se liječniku. Simptomi uključuju obamlost, nedostatak osjećaja, škakljanje, trnce, bol, gubitak snage, promjene boje ili stanja kože. Simptomi se uglavnom pojavljuju na prstima, šakama ili zglobovima.

- Proizvod upotrebljavajte samo u skladu s namjenom.
- Nije moguće obuhvatiti sve situacije s kojima se možete susresti. Uvijek postupajte oprezno i slijedite zdrav razum. Izbjegavajte sve situacije izvan vaših sposobnosti. Ako i nakon čitanja ovih uputa niste sigurni u radne postupke, prije nastavka obratite se stručnjaku.
- Uvijek držite ovaj proizvod s desnom/lijevom rukom. Proizvod držite s bočne strane tijela.

(Sl. 18)

Oprema za osobnu zaštitu



UPOZORENJE: Prije upotrebe proizvoda pročitajte upute upozorenja u nastavku.

- Prilikom uporabe proizvoda uvijek upotrebljavajte odobrenu osobnu zaštitnu opremu. Oprema za osobnu zaštitu ne može u potpunosti spriječiti ozljede, no smanjuje stupanj ozljede u slučaju nezgode. Pri odabiru odgovarajuće opreme zatražite pomoć ovlaštenog trgovca.
- Upotrebljavajte odobrenu zaštitu sluha.

(Sl. 19)

- Upotrebljavajte odobrenu zaštitu za oči. Ako nosite vizir, morate nositi i odobrene zaštitne naočale. Odobrene zaštitne naočale moraju ispunjavati normu ANSI Z87.1 za SAD ili EN 166 za države EU-a.

(Sl. 20)

- Po potrebi nosite rukavice.

(Sl. 21)

- Nosite zaštitne čizme sa čeličnom kapičicom i protukliznim potplatima.

(Sl. 22)

- Nosite odjeću napravljenu od čvrstog materijala. Uvijek nosite teške duge hlače i duge rukave. Nemojte nositi široku odjeću koja može zapinjati za grane i prutove. Ne nosite nakit, kratke hlače niti sandale. Ne budite bosonogi. Kosu podignite iznad ramena.
- Imajte u blizini pribor za prvu pomoć.

(Sl. 23)

Sigurnosni uređaji na proizvodu



UPOZORENJE: Prije upotrebe proizvoda pročitajte upute upozorenja u nastavku.

- U ovom odjeljku opisane su sigurnosne značajke proizvoda, njegova namjena te način provedbe provjera i održavanja za osiguranje ispravnog rada. Za položaj dijelova na proizvodu pogledajte upute pod naslovom *Pregled proizvoda na stranici 147*.
- Nepravilno održavanje te neprofesionalno servisiranje i/ili popravci proizvoda skraćuju vijek trajanja proizvoda i povećavaju opasnost od nezgoda. Sve dodatne informacije zatražite od najbližeg servisnog trgovca.
- Nikada nemojte upotrebljavati proizvod s oštećenim sigurnosnim komponentama. Provodite provjere i održavajte sigurnosnu opremu proizvoda prema uputama opisanim u ovom odjeljku. Ako proizvod ne zadovolji bilo koju od ovih provjera, obratite se serviseru radi popravka.
- Za servisiranje i popravak ovog proizvoda potrebna je posebna obuka. Ovo se posebno odnosi na sigurnosnu opremu ovog proizvoda. Ako proizvod ne zadovolji neke od u nastavku navedenih provjera, obratite se serviseru. Pri kupnji naših proizvoda jamčimo dostupnost profesionalnih popravaka i servisa. Ako prodavač koji vam je prodao proizvod nije zadužen i za servisiranje, zatražite adresu najbližeg serviseru.

- Zaštite bateriju od kiše i mokrih uvjeta.
- Zaštite bateriju od mikrovalova i visokog tlaka.
- Bateriju nemojte rastavljati ili razbijati.
- Nemojte dopustiti kontakt baterijske kiseline s kožom. Baterijska kiselina uzrokuje ozljede kože, koroziju i opekline. Ako vam baterijska kiselina uđe u oči, nemojte ih trljati nego barem 15 minuta ispirite oči s puno vode. Ako baterijska kiselina dođe u kontakt s kožom, operite je velikom količinom sapunice. Zatražite medicinsku pomoć.
- Bateriju upotrebljavajte u rasponu temperatura od -10 °C (14 °F) i 40 °C (104 °F).
- Bateriju ili punjač baterije nikada nemojte čistiti vodom. Pogledajte *Čišćenje proizvoda, baterije i punjača baterije na stranici 155*.
- Nemojte upotrebljavati oštećenu bateriju.
- Baterije skladištite dalje od metalnih predmeta poput čavala, vijaka ili nakita.
- Bateriju držite podalje od djece.

Sigurnost punjača baterije



UPOZORENJE: Prije upotrebe proizvoda pročitajte upute upozorenja u nastavku.

- Nepoštivanje sigurnosnih uputa može uzrokovati električni udar ili kratki spoj.
- Upotrebljavajte isključivo punjače baterija isporučene uz proizvod. Upotrebljavajte isključivo punjače 40-C80 za punjenje zamjenskih baterija iz serije 40-B.
- Nemojte rastavljati punjač baterije.
- Nemojte upotrebljavati oštećen ili neispravan punjač baterije.
- Punjač baterije nemojte podizati za električni kabel. Za odspajanje punjača baterije od zidne utičnice izvucite utikač. Nemojte povlačiti kabel za napajanje.
- Sve kabele i produžne kabele držite podalje od vode, ulja i oštih rubova. Kabel nemojte zahvatiti predmetima, npr. vratima, ogradama i sl.
- Punjač baterije nemojte upotrebljavati u blizini zapaljivih materijala ili materijala koji mogu uzrokovati koroziju. Punjač baterije ne smije biti prekriven. Ako dođe do razvoja dima ili požara, odspojite utikač punjača baterije.
- Bateriju puniti isključivo u zatvorenom, dobro prozračenom zatvorenom prostoru bez izravne sunčeve svjetlosti. Baterije nemojte puniti na otvorenom. Bateriju nije dopušteno puniti u vlažnim uvjetima.
- Punjač baterije upotrebljavajte isključivo na temperaturama između 5 °C (41 °F) i 40 °C (104 °F). Punjač upotrebljavajte u prozračnom i suhom okruženju bez prašine.
- Nemojte umetati predmete u rashladne otore punjača baterije.

Provjera tipkovnice

1. Pritisnite i zadržite gumb za uključivanje/isključivanje (ON/OFF) (A) dok se ne uključi indikator napajanja (B). (Sl. 24)
2. Pogledajte *Rješavanje problema na stranici 155* ako svijetli ili trepće indikator upozorenja (C).

Provjera okidača paljenja

- Pritisnite i otpustite okidač paljenja kako biste provjerili pomiče li se neometano. (Sl. 25)

Sigurnost baterije



UPOZORENJE: Prije upotrebe proizvoda pročitajte upute upozorenja u nastavku.

- Preporučena baterija je 40-B series. Baterije su softverski kodirane.
- Punjive baterije 40-B series upotrebljavajte isključivo za napajanje odgovarajućih proizvoda tvrtke Husqvarna. Bateriju nemojte upotrebljavati za napajanje drugih proizvoda jer postoji opasnost od ozljeda.
- Opasnost od strujnog udara. Polove baterije nemojte spajati s ključevima, vijcima ili drugim metalom. Tako može doći do kratkog spoja baterije.
- Nemojte upotrebljavati baterije koje se ne mogu puniti.
- Nemojte umetati predmete u zračne otore baterije.
- Bateriju zaštitite od sunčeve svjetlosti, vrućine i otvorenog plamena. Baterija može uzrokovati opekline i/ili kemijske opekline.

- Nikada nemojte priključivati terminale punjača baterije na metalne predmete jer tako možete izazvati kratki spoj na punjaču baterija.
- Upotrebljavajte neoštećene i odobrene mrežne utičnice. Uvjerite se da kabel napajanja punjača baterije nije oštećen. Ako upotrebljavate produžni kabel, provjerite da nije oštećen.
- Punjačima baterije nije dopušteno puniti baterije koje se ne mogu puniti.
- Rukovatelj smije provoditi samo radove održavanja i servisiranja opisane u ovom korisničkom priručniku. Za veća održavanja i servisiranje obratite se serviseru.
- Bateriju ili punjač baterije nikada nemojte čistiti vodom. Jači deterdžent može oštetiti plastiku.
- Ako ne provodite održavanje, smanjujete vijek trajanja stroja i povećavate opasnost od nezgoda.
- Sva servisiranja i popravci uvjetuju posebnu obuku, posebice oni na sigurnosnim uređajima na proizvodu. Ako nakon provedbe održavanja nisu odobrene sve provjere iz ovog korisničkog priručnika, obratite se serviseru. Jamčimo dostupnost profesionalnih popravaka i servisiranja za vaš proizvod.
- Koristite samo originalne rezervne dijelove.

Sigurnosne upute za održavanje



UPOZORENJE: Prije održavanja proizvoda pročitajte upozoravajuće upute u nastavku.

- Uklonite bateriju prije održavanja, drugih provjera ili sastavljanja proizvoda.

Sastavljanje

Uvod



UPOZORENJE: Prije sklapanja proizvoda s razumijevanjem pročitajte poglavlje o sigurnosti.

Postavljanje mlaznice

1. Mlaznicu postavite na prednju stranu proizvoda. (Sl. 26)
2. Pritisnite mlaznicu dok ne čujete škljocaj.

Postavljanje punjača baterije 40-C80 na zid



OPREZ: Punjač baterije na zid nemojte instalirati s pomoću ispitivača napona. Ispitivačem napona možete oštetiti punjač baterije.

1. Punjač baterije na zid pričvrstite s 2 vijka (A). Ako je potrebno, primijenite tiple (B). (Sl. 27)
2. Pričvrstite 2 čepa provrta za vijke (C).
3. Kabel napajanja (D) priključite u punjač baterije i mrežnu utičnicu.

Rad

Uvod



UPOZORENJE: Prije upotrebe proizvoda pročitajte i usvojite poglavlje o sigurnosti.

Provjera ispravnosti rada prije upotrebe proizvoda

1. Provjerite ima li na ulazu zraka onečišćenja ili pukotina. Četkom očistite travu i lišće s proizvoda. Pogledajte *Provjera usisa zraka na stranici 155*.
2. Provjerite ispravnost rada proizvoda.
3. Pregledajte sve matice i vijke i uvjerite se kako su zategnuti.

Baterija



UPOZORENJE: Prije upotrebe baterije morate pročitati i usvojiti poglavlje o sigurnosti. Također morate pročitati i usvojiti korisnički priručnik za bateriju i punjač baterije.

Bateriju i punjač čuvajte na ispravnoj temperaturi okoline.

	Temperatura okoline
Rad s proizvodom	-5 °C – 40 °C / 23 °F - 104 °F
Punjenje baterije	5 °C – 40 °C / 41 °F - 104 °F

LED indikator baterije

(Sl. 28)

Na zaslonu se prikazuje stanje napunjenosti te postoje li problemi s baterijom.

LED indikator	Stanje baterije (stanje napunjenosti)
	40-B140
Uključena su četiri LED indikatora	Baterija je napunjena 76 % – 100 %.
Uključena su tri LED indikatora	Baterija je napunjena 51 % – 75 %.
Uključena su dva LED indikatora	Baterija je napunjena 26 % – 50 %.
Uključen je jedan LED indikator	Baterija je napunjena 6% – 25%.
Trepće jedna LED žaruljica	Baterija je napunjena 0% – 5%.

Zamjena baterije

Napunite bateriju pri prvoj upotrebi. Nova je baterija napunjena samo 30%.



OPREZ: Spojite punjač baterije samo na strujnu utičnicu s naponom i frekvencijom koji su navedeni na natpisnoj pločici.

Baterija se neće puniti ako je njezina temperatura veća od 50 °C / 122 °F.

1. Priključite punjač baterije na električnu utičnicu.
2. Punjač baterije priključite na uzemljenu strujnu utičnicu. LED indikator punjenja zatrepat će jedanput. (Sl. 29)
3. Priključite bateriju na punjač baterije. Uključuje se LED indikator punjenja. Bateriju puniti najdulje 24 sata. (Sl. 30)
4. Pritisnite gumb indikatora baterije kad svijetle svi LED indikatori – baterija je potpuno napunjena.
5. Za odvajanje punjača baterije od strujne utičnice izvucite njegov strujni utikač. Nemojte povlačiti kabel za napajanje.
6. Izvadite bateriju iz punjača baterije.

Priključivanje baterije na proizvod



UPOZORENJE: Preporučujemo da s proizvodom upotrebljavate samo bateriju tvrtke Husqvarna.

1. Provjerite je li baterija potpuno napunjena.
2. Pritisnite bateriju držač baterije dok ne čujete škljocaj. Baterija se mora lako pomicati. Ako to nije slučaj, nepravilno je instalirana. (Sl. 31)

Pokretanje proizvoda

1. Pritisnite i držite gumb za pokretanje dok se ne uključi zeleni LED indikator. (Sl. 32)
2. Za upotrebu proizvoda primijenite okidač paljenja.

Postavljanje optimalnog radnog zračnog protoka

- Za postavljanje zračnog protoka pritisnite gumb za upravljanje brzinom. Tri su koraka za zračni protok. (Sl. 33)

Zaustavljanje proizvoda

1. Otpustite prekidač za uključivanje.
2. Pritisnite gumb napajanja i zadržite ga dok se ne isključi zeleni LED indikator.
3. Pritisnite gumb za otpuštanje i izvadite bateriju. (Sl. 34)

Funkcija automatskog isključenja

Proizvod ima automatsku funkciju isključenja koja ga isključuje kada se ne upotrebljava. Zeleni LED indikator napajanja isključuje se, a proizvod se zaustavlja nakon 3 minuta.

Održavanje

Uvod



UPOZORENJE: Prije održavanja morate pročitati i usvojiti poglavlje o sigurnosti.

Raspored održavanja



UPOZORENJE: Prije održavanja izvadite bateriju.

U nastavku je popis koraka održavanja neophodnih za održavanje proizvoda.

Održavanje	Dnevno	Tjedno	Mjesečno
Proizvod čistite čistom i suhom krpom. Nemojte prati vodom.	X		
Provjerite jesu li ručke suhe i čiste.	X		
Provjerite tipkovnicu.	X		
Provjerite okidač paljenja.	X		
Provjerite jesu li matice i vijci zategnuti.	X		
Provjerite je li baterija neoštećena.	X		
Provjerite napunjenost baterije.	X		
Provjerite jesu li gumbi za otpuštanje na bateriji i neoštećeni i drže li bateriju u proizvodu.	X		
Provjerite je li punjač baterije neoštećen.	X		
Provjerite jesu li sve spojnice, priključci i kabele čisti i neoštećeni.		X	
Provjerite priključke na bateriji, punjaču baterije i proizvodu.			X

Provjera usisa zraka

1. Usis zraka mora biti prohodan. (Sl. 35)
2. Ako je potrebno, zaustavite proizvod i uklonite nepoželjni materijal.



OPREZ: Neprohodan usis zraka smanjuje kapacitet puhanja proizvoda i povećava radnu temperaturu motora. To može uzrokovati kvar motora uslijed pregrijavanja.

2. Provjerite ima li na punjaču baterije oštećenja, primjerice pukotina.
3. Provjerite je li priključni kabel punjača baterije neoštećen te je li ispucao.

Čišćenje proizvoda, baterije i punjača baterije

1. Proizvod nakon upotrebe očistite suhom krpom.
2. Bateriju i punjač baterije čistite suhom krpom. Vodilice za bateriju održavajte čistima.
3. Prije umetanja baterije u punjač baterije ili proizvod provjerite jesu li čisti priključci baterije i punjača baterije.

Pregled baterije i punjača baterije

1. Provjerite ima li na bateriji oštećenja, primjerice pukotina.

Rješavanje problema

Tipkovnica

LED zaslon	Moguće pogreške	Moguća rješenja
Trepće crveno LED svjetlo pogreške	Odstupanje temperature.	Pričekajte na hlađenje proizvoda.
	Priključci baterije onečišćeni su ili je ventilator blokiran.	Očistite komprimiranim zrakom ili mekanom četkicom.
	Baterija je prazna.	Napunite bateriju.
	Baterija je oštećena.	Obratite se servisnom zastupniku.

Baterija

LED zaslon	Moguće pogreške	Moguća rješenja
Trepće zeleno LED svjetlo.	Nizak napon baterije.	Napunite bateriju.
Trepće LED svjetlo pogreške.	Odstupanje temperature.	Bateriju upotrebljavajte u rasponu temperature između -5 °C – 40 °C / 23 °F - 104 °F.
	Previsok napon.	Provjerite odgovara li napon mreže naponu navedenom na natpisnoj pločici proizvođača. Izvadite bateriju iz punjača baterije.
Uključeno je LED svjetlo pogreške.	Prevelika razlika ćelija (1 V).	Obratite se servisnom zastupniku.

Punjač baterije

LED zaslon	Moguće pogreške	Moguća rješenja
LED indikator punjenja svijetli crveno.	Punjač baterije je oštećen.	Obratite se servisnom zastupniku.
LED indikator punjenja trepće zelenom bojom.	Temperatura baterije izvan je raspona za punjenje.	Pustite da se baterija ohladi ili zagrije. Kada baterija postigne pravu temperaturu, možete je ponovo upotrebljavati ili puniti. Punjač baterija upotrebljavajte pri temperaturama okoline između 5 °C – 40 °C / 41 °F - 104 °F.
LED indikator punjenja trepće crvenom bojom.	Baterija je oštećena.	Obratite se servisnom zastupniku.

Prijevoz, spremanje i zbrinjavanje

Prijevoz i skladištenje

- Isporučene litij-ionske baterije podliježu zahtjevima propisa o opasnim proizvodima.
- Pridržavajte se posebnih zahtjeva o pakiranju i označavanju u komercijalnom transportu, uključujući treće strane i prijevoznike.
- Prije slanja proizvoda obratite se osobi s posebnom obukom za opasni materijal. Pridržavajte se svih mjerodavnih nacionalnih propisa.
- Kada bateriju stavljate u pakiranje, otvorene kontakte prelijepite trakom. Učvrstite bateriju u pakiranje kako biste onemogućili pomicanje.
- Izvadite bateriju prilikom prijevoza ili skladištenja.
- Bateriju i punjač baterije spremite u suh prostor bez vlage i mraza.

- Bateriju nemojte spremite u prostor u kojem može nastati statički elektricitet. Bateriju nemojte čuvati u metalnoj kutiji.
- Bateriju uskladištite na mjestu s temperaturom između 5°C / 41°F and 25°C / 77°F te izvan izravnog sunčeva svjetla.
- Punjač baterije uskladištite na mjestu s temperaturom između 5 °C/41 °F and 45°C/113°F te izvan izravnog sunčeva svjetla.
- Punjač baterije upotrebljavajte samo pri temperaturama okoline između 5 °C – 40 °C / 41 °F - 104 °F.
- Prije dugotrajnog skladištenja bateriju napunite na 30 % do 50 %.
- Proizvod skladištite na mjestima s temperaturom od -40 °C / -40 °F do 60 °C / 140 °F.
- Punjač baterije uskladištite u zatvorenom i suhom prostoru.

- Tijekom skladištenja bateriju držite podalje od punjača baterije. Djeci i drugim neovlaštenim osobama onemogućite dodirivanje opreme. Opremu spremite u prostor koji možete zaključati.
- Prije dugotrajnog skladištenja proizvoda očistite ga i provedite cjeloviti servis.
- Čvrsto pričvrstite proizvod tijekom transporta.

u reciklažnoj stanici za električnu i elektroničku opremu. Tako sprječavate oštećenje okoliša i ozljeđivanje osoba.

Više informacija o recikliranju proizvoda zatražite od lokalnih vlasti, komunalne službe ili distributera.

Zbrinjavanje baterije, punjača baterije i proizvoda

Oznake na proizvodu ili ambalaži proizvoda znače da se proizvod ne pripada u komunalni otpad. Reciklirajte ga

Tehnički podaci

Tehnički podaci

	122iB
Motor	
Vrsta motora	Istosmjerni motor s permanentnim magnetom
Težina	
Težina bez baterije, kg	1,9
Emisije buke, razine zvuka , ^{31 32}	
Razina jačine zvuka, mjerena u dB (A)	92,2
Razina jačine zvuka, zajamčena L _{WA} dB (A)	93
Ekvivalentna razina buke pri uhu rukovatelja, mjerena sukladno standardima EN IEC 62841-4-6 i ISO 22868, dB (A):	82,8
Razine vibracije ³³	
Razine vibracija na ručkama, izmjerene sukladno EN IEC 62841-4-6, m/s ²	1,13
Rad ventilatora	
Vršna volumetrijska brzina protoka, m ³ /h	865
Maksimalna teoretska brzina, m/s.	53.
Sila puhanja, N	11.

Podaci o buci i vibracijama utvrđeni su prema nazivnoj maksimalnoj brzini.

skladu sa standardnom metodom ispitivanja i mogu se upotrebljavati za usporedbu jednog alata s drugim.

Napomena: Navedena ukupna vrijednost vibracija i nazivne vrijednosti emisije buke izmjerene su u

³¹ Emisije buke u okoliš izmjerene kao jakost zvuka (L_{WA}) u skladu s Direktivom 2000/14/EC imaju tipično statističko raspršenje (standardno odstupanje) od 1,0 dB (A).

³² Navedeni podaci za ekvivalentnu razinu pritiska zvuka za stroj uključuju tipično statističko raspršenje (standardno odstupanje) od 1,3 dB (A).

³³ Podaci o razini vibracije pokazuju tipičnu statističku disperziju (standardnu devijaciju) od 1,5 m/s².

Napomena: Navedena ukupna vrijednost vibracija i nazivne vrijednosti emisije buke mogu se upotrebljavati i za početnu procjenu izloženosti.

Napomena: Jačina vibracija i buke tijekom upotrebe proizvoda može se razlikovati od navedene

ukupne vrijednosti, ovisno o načinu njegove upotrebe. Potrebno je utvrditi sigurnosne mjere za zaštitu rukovatelja na temelju procjene izlaganja u stvarnim uvjetima upotrebe. U procjenu uključite sve faze radnog ciklusa, primjerice vrijeme kada je proizvod isključen i kada radi u praznom hodu, kao i vrijeme pokretanja.

Baterije odobrene za proizvod

Baterija	40-B140
Vrsta	Litij-ionska
Kapacitet baterije, Ah	Pogledajte nazivnu naljepnicu baterije
Nazivni napon, V	36
Težina, kg/lb	1,25/2,76

Odobreni punjači baterije

Punjač baterije	40-C80
Ulazni napon, V	100 – 240
Frekvencija, Hz	50 – 60
Snaga, W	72
Izlazni napon, V istosmjerne struje / amperi, A	43/1,6

Izjava o sukladnosti

Izjava o sukladnosti za EU

Mi, **Husqvarna AB**, SE-561 82 Huskvarna, ŠVEDSKA,
tel.: +46-36-146500, pod punom odgovornošću
izjavljujemo da proizvod:

Opis	Ručni baterijski puhač
Marka	Husqvarna
Vrsta/model	122iB
Identifikacija	Serijski brojevi iz 2025 i noviji

sukladne su sa sljedećim direktivama i propisima EU-a
te njihovim izmjenama:

Propis	Opis
2006/42/EC	„o strojevima“
2014/30/EU	„o elektromagnetskoj kompatibilnosti“
2011/65/EU	„o ograničenoj upotrebi određenih opasnih tvari u električnoj i elektroničkoj opremi“
2000/14/EC	„koja se odnosi na emisije buke u okoliš“

i primjenjuju se sljedeće norme i/ili tehničke
specifikacije: EN 62841-1:2015/A11:2022, EN IEC
62841-4-6:2024/A11:2024, EN IEC 63000:2018

EN IEC 55014-1:2021, EN IEC 55014-2:2021

U skladu s direktivom 2000/14/EC, Aneksom V,
objavljene vrijednosti zvuka potražite u *Tehnički podaci*
na stranici 157.

Huskvarna, 2025-11-03

Claes Losdal, Menadžer odjela za istraživanje i razvoj,
Husqvarna AB

Osoba odgovorna za tehničku dokumentaciju



TARTALOMJEGYZÉK

Bevezető.....	160	Hibaelhárítás.....	170
Biztonság.....	161	Szállítás, tárolás és ártalmatlanítás.....	171
Összeszerelés.....	167	Műszaki adatok.....	171
Üzemeltetés.....	167	Megfelelőségi nyilatkozat.....	173
Karbantartás.....	168		

A termék áttekintése

(ábra 1)

1. Lombfűvő fűvőkája
2. A lombfűvő fűvőkájának kioldógombja
3. Billentyűzet
4. Kapcsológomb
5. Fogantyúkar
6. Be-/kikapcsoló gomb
7. Áramellátás jelzőfény
8. Figyelmeztetésjelző hibajelző LED
9. Fordulatszám-szabályozó gomb
10. Támaszték
11. Akkumulátorjelző gomb
12. Az akkumulátor állapota
13. Akkumulátor figyelmeztetésjelzője
14. Akkumulátorkioldó gomb
15. Akkumulátor
16. Bekapcsolás- és figyelmeztetésjelző
17. Csatlakozó
18. 40-C80 akkumulátortöltő
19. Kezelői kézikönyv

Termékleírás

A Husqvarna 122iB egy elektromos motorral rendelkező lombfűvő.

Rendeltetészerű használat

Ez a termék egy megbízható és könnyen használható kézi lombfűvő az otthoni és kerti általános fűvási és tisztítási feladatokhoz.

A terméken található jelzések

- (ábra 2) FIGYELMEZTETÉS: A termék veszélyes lehet a kezelőre és másokra, valamint a súlyos sérüléseket és halálukat okozhatja. Körültekintően járjon el, és megfelelően használja a terméket.
- (ábra 3) Olvassa el a használati utasítást, és a termék használatba vétele előtt mindenképpen legyen tisztában a benne foglaltakkal.
- (ábra 4) Használjon jóváhagyott védőszemüveget.
- (ábra 5) VIGYÁZAT! – Tartsa távol a nézelődőket.
- (ábra 6) Óvja a terméket az esőtől.

(ábra 7)

Az EU irányelveinek és jogszabályainak, és New South Wales „Környezetben történő munkavégzés szabályozása (zajszabályozás), 2017” irányelvének megfelelő környezeti zajkibocsátási címke. A termék garantált hangteljesítményszintjére vonatkozó adatok megtalálhatók a *Műszaki adatok 171. oldalon* című fejezetben és a címkén

(ábra 8)

A termék és a termék csomagolása nem minősül háztartási hulladéknak. Újrahasznosítását egy elektromos és elektronikus berendezések újrahasznosítására szolgáló ponton kell elvégezni.

(ábra 9)

Ez a termék megfelel a vonatkozó EK-irányelveknek.

(ábra 10)

Feszültségosztály, V

(ábra 11)

Egyenáram.

yyyy wwwwxxx

Az adattáblán megtalálható a sorozatszám. **6666** a gyártási év, **hh** a gyártási hét, **xxxxx** pedig a sorozatszám.

Megjegyzés: A terméken szereplő többi jel/címke egyes piacok specifikus vizsgáztatási követelményeire vonatkozik.

Szimbólumok az akkumulátoron, illetve az akkumulátortöltőn

(ábra 12) Meghibásodásbiztos transzformátor.

(ábra 13) Az akkumulátortöltőt kizárólag beltérben szabad használni és tárolni.

(ábra 14) Kettős szigetelés.

(ábra 15)

A termék újrahaznosítását elektromos és elektronikus berendezések újrahaznosítására szolgáló ponton kell elvégezni. (Kizárólag Európára vonatkozik)

- a termék javítását helytelenül végezték;
- a termék javítása nem a gyártótól származó vagy általa jóváhagyott alkatrészekkel történt;
- a terméket nem a gyártótól származó vagy általa jóváhagyott kiegészítővel szerelték fel;
- a termék javítását nem hivatalos szakszerviz vagy jóváhagyott egyéb szerviz végezte.

Gyártó

Husqvarna AB

Drottningatan 2, SE-561 82 Huskvarna

A termék károsodása

A termékben keletkezett károkért nem vállalunk felelősséget, amennyiben:

Biztonság

Biztonsági meghatározások

A figyelmeztetések, óvintézkedések és megjegyzések a használati utasítás kiemelten fontos részeire hívják fel a figyelmet.



FIGYELMEZTETÉS: Akkor használatos, ha a kézikönyv utasításainak be nem tartása esetén fennáll a kezelő vagy a közelben tartózkodók sérülésének vagy halálának veszélye.



VIGYÁZAT: Akkor használatos, ha a kézikönyv utasításainak be nem tartása esetén fennáll a vagyoni kár, illetve a termék vagy a környező terület károsodásának veszélye.

Megjegyzés: További információt biztosít az adott helyzetben szükséges tennivalókról.

Általános gépbiztonsági útmutatások



FIGYELMEZTETÉS: Olvassa el a jelen gépre vonatkozó összes biztonsági utasítást, útmutatást, ábrát és előírást. *Az alább felsorolt utasítások figyelmen kívül hagyása áramütést, tüzet és/vagy komoly sérülést okozhat.*

Tegyen el minden figyelmeztetést és utasítást, mert a jövőben szüksége lehet rájuk.

Megjegyzés: A „gép” kifejezés a figyelmeztetésekben a hálózatról működő (vezetékes) gépekre vagy az akkumulátorral (vezeték nélküli) működő gépekre vonatkozik.

A munkaterület biztonsága

- **Tartsa a munkaterületet tisztán és világítsa meg jól.** A zsúfolt vagy sötét területeken könnyen bekövetkeznek balesetek.
- **Ne működtesse a gépet robbanásveszélyes környezetben, például gyúlékony folyadékok, gázok vagy por jelenlétében.** A gép szikrát vethet, ami lángra lobbanthatja a port vagy a gőzöket.
- **A gyermekeket és más személyeket tartsa távol a gép üzemeltetése alatt.** Ha bármi elvonja a figyelmét, elveszítheti a készülék feletti ellenőrzést.

Elektromos biztonság

- **A gép dugaszának illeszkednie kell az aljzatba. Soha, semmilyen módon ne módosítsa a dugaszt. Ne használjon adaptercsatlakozót a földelt gépéhez.** Kisebb az áramütés veszélye, ha eredeti dugókat és hozzájuk illő aljzatokat használ.
- **Kerülje el az érintkezést a földelt felületekkel, pl. csövekkel, radiátorokkal, tűzhelyekkel és hűtőszekrényekkel.** Megnövekszik az áramütés veszélye, ha teste le van földelve.
- **Ne tegye ki a gépet esőnek vagy nedves környezetnek.** A gépbe jutó víz növeli az áramütés kockázatát.
- **Ne bányon durván a kábellel. A kábelt ne használja a gép hordozására, húzására vagy a dugasz kihúzására. Tartsa távol a kábelt hőtől, olajtól, éles széléktől vagy mozgó alkatrészekről.** A megsérült vagy összegabalyodott kábel megnöveli az áramütés kockázatát.
- **Ha kültéren használja a gépet, használjon kültéri használatra alkalmas hosszabbítókábelt.** A kültéri alkalmazáshoz megfelelő hosszabbító használata csökkenti az áramütés veszélyét.
- **Ha a gépet feltétlenül nedves helyen kell használni, alkalmazzon életvédelmi relével (RCD) védett tápellátást.** Az RCD használatával csökkenthető az áramütés kockázata.

Személyes biztonság

- **Legyen elővigyázatos, figyeljen arra, amit csinál, és használja a józan belátását a gép működtetése során. Ne használja a gépet, ha fáradt, illetve ha gyógyszer, gyógykezelés vagy alkohol hatása alatt áll.** A gépek működése közben egy pillanatnyi figyelemkiesés is súlyos személyi sérülést okozhat.
- **Használjon személyi védőfelszerelést. Mindig viseljen védőszemüveget.** A megfelelő környezetben a védőfelszerelések, például a pormaszok, a csúszásgátló védőcipő, a kemény fejdő és a fülvédő használata csökkenti a személyi sérülések kockázatát.
- **Kerülje el a véletlen indítást. Győződjön meg róla, hogy a gép ki van-e kapcsolva, mielőtt csatlakoztatja a készüléket az áramforráshoz és/ vagy az akkumulátorhoz, vagy felmeli és egyik helyről a másikra viszi azt.** Balesetet okozhat, ha a gépet úgy viszi, hogy az ujsa a kapcsolón van, vagy ha a bekapcsolt gépet áram alá helyezi.
- **Távolítson el minden beállító kulcsot vagy csavarkulcsot, mielőtt bekapcsolná a gépet.** A készülék forgó részeiben hagyott szerszám vagy kulcs sérülésekhez vezethet.
- **Ne nyújtózkodjon a termékkel. Mindig szilárdan álljon a talajon, és őrizzé meg az egyensúlyát.** Így váratlan helyzetekben is jobban megőrizheti az elektromos szerszám feletti uralmát.
- **Öltözködjön megfelelően. Ne viseljen ékszereket, rövidnadrágot, szandált, illetve ne legyen meztláb. Tartsa távol a haját és ruházatát a mozgó alkatrészekől.** A mozgó alkatrészek bekapathják a laza ruhát, az ékszert vagy a hosszú haját.
- **Ha a készülékhez csatlakoztatható porgyűjtő berendezés, mindig csatlakoztassa és használja azt.** A porgyűjtő alkalmazása csökkenti a porral kapcsolatos veszélyeket.
- **A gépek rendszeres használatából adódó tapasztalata ne vezessen oda, hogy a gépet könnyelműen, a gépbiztonsági alapelvek figyelmen kívül hagyásával működteti.** Egy gondatlanul kivitelezett művelet akár egy századmásodperc alatt is súlyos sérüléshez vezethet.

A gép használata és karbantartása

- **Ne erősítse a gépet. Használja a feladathoz megfelelő gépet.** A megfelelő gép jobb és biztonságosabb munkát fog végezni azon a sebességen, amire tervezték.
- **Ne használja a gépet, ha a kapcsoló nem kapcsolja ki vagy be.** A kapcsolóval nem vezérelhető gépek veszélyesebbek és javításra szorulnak.
- **Húzza ki a dugaszt az áramforrásból és/vagy vegye ki az akkumulátort (amennyiben kivethető), ha bármilyen beállítást végez, kicseréli egy tartozékot vagy tárolja a gépeket.** Az ilyen megelőző biztonsági intézkedések csökkentik a gép véletlen elindításának veszélyét.

- **A nem használt gépeket tartsa távol a gyermekektől, és ne engedje, hogy olyan személyek működtessék, akik nem ismerik a gépeket és ezeket az utasításokat.** A gépek képzetlen felhasználók kezében veszélyt jelentenek.
- **Végezze el a gépek és a kiegészítők karbantartását. Ellenőrizze, hogy a mozgó alkatrészek helyükön vannak-e, nem szorulnak-e, nem törtek-e le a részek, illetve nem áll-e fenn más olyan állapot, amely befolyásolhatja a gépek működését. Ha sérült, a használat előtt javíttassa meg a gépet.** Sok balesetet rosszul karbantartott gépek okoznak.
- **Tartsa élesen és tisztán a vágógépeket.** A megfelelően karbantartott, éles vágógépek kevésbé hajlamosak a beszorulásra, és könnyebb kezelni őket.
- **A gépet, a kiegészítőket és az alkatrészeket stb. ezen utasításokkal összhangban használja, vegye figyelembe a munkakörülményeket és az elvégzendő feladatot.** Ha a gépet nem a rendeltetésének megfelelően használják, veszélyes helyzet állhat elő.
- **A fogantyúkat és fogófelületeket tartsa szárazon, tisztán, olaj- és zsímentesen.** A csúszós fogantyúk és fogófelületek miatt váratlan helyzetekben nem lehet biztonságos módon kezelni és vezérelni a gépet.

Az akkumulátoros gép használata és karbantartása

- **Csak a gyártó által meghatározott töltővel töltsé.** Az a töltő, amelyik az egyik típusú akkumulátorhoz használható, tűzveszélyes lehet, ha másik típusú akkumulátorral használják.
- **A gépet csak a típusuknak megfelelő akkumulátorokkal használja.** Bármilyen más típusú akkumulátor használata sérülés- és tűzveszélyes.
- **Amikor az akkumulátort nem használja, tartsa távol más fémtárgyaktól, például gémkapcsoktól, érméktől, kulcsoktól, tűktől, csavaroktól vagy más kisebb fémtárgyaktól, amelyek összekapcsolhatják a sarukat.** Az akkumulátorsaruk rövidre zárása égést vagy tüzet okozhat.
- **Nem megfelelő körülmények hatására az akkumulátorból folyadék szivároghat ki. Kerülje az érintkezést. Ha ez véletlenül mégis megtörténik, öblítse le a vízzel. Ha a folyadék szembe kerül, forduljon orvoshoz.** Az akkumulátorból távozó folyadék irritációt vagy égési sérülést okozhat.
- **Ne használjon sérült vagy módosított akkumulátort vagy gépet.** A sérült vagy módosított akkumulátorok kiszámíthatatlanul viselkedhetnek, ami tüzet, robbanást vagy sérülést okozhat.
- **Az akkumulátort vagy a gépet ne tegye ki tűznek vagy túl magas hőmérsékletnek.** A tűznek való kitettség, illetve a 130 °C/265 °F feletti hőmérséklet robbanást okozhat.
- **Kövesse a töltésre vonatkozó utasításokat, és ne töltsé az akkumulátort vagy a gépet az utasításokban megadott hőmérséklet-tartományon**

kívül. A nem megfelelő, illetve a megadott tartományon kívül eső hőmérsékleten való töltés károsíthatja az akkumulátort és növeli a tűzveszélyt.

Szervíz

- **Az elektromos szerszámot csak minősített szakemberrel, és eredeti pótalkatrészek felhasználásával javíttassa.** Ez biztosítja, hogy a gép továbbra is biztonságos maradjon.
- **Soha ne szervizelje a sérült akkumulátort.** Az akkumulátor szervizelését csak a gyártó vagy egy hivatalos szolgáltató végezheti el.

Kerti lombfűvóra vonatkozó biztonsági figyelmeztetések

- **Rossz időjárási körülmények között – főleg villámás veszélye esetén – ne használja a kerti lombfűvót.** Ez csökkenti a villámcsapás veszélyét.
- **Viseljen védőszemüveget.** A megfelelő védőfelszerelés csökkenti a személyi sérülések kockázatát.
- **A kerti lombfűvő működtetése közben mindig viseljen csúszásmentes munkavédelmi lábbelit. Ne használja a kerti lombfűvót mezítláb vagy nyitott szandálban.** Ez csökkenti a lábak sérülésének kockázatát.
- **Ne viseljen laza ruházatot vagy olyan tárgyakat, amelyeket a lombfűvő a légbeszívó nyíláson keresztül beszívhat, például sálát, zsinkeket, láncot, nyakkendőt stb. Ha hosszú a haja, kösse össze vagy takarja el, hogy biztosan ne kerüljön a légbeszívó nyílásba.** Ha ilyen tárgy kerül a légbeszívó nyílásba, az növelheti a személyi sérülés kockázatát.
- **A kerti lombfűvő működtetése közben tartsa távol a járókelőket.** A kirepülő hulladék növelheti a személyi sérülés kockázatát.
- **Soha ne irányítsa a lombfűvő fűvókáját emberek, állatok vagy ablakok felé. Legyen különösen óvatos, amikor szilárd tárgyak, például fák, autók és falak közelében fúj hulladékot, mivel roncsolhatja azokat.** A kirepülő tárgyak roncsolhatják az értéktárgyakat és növelhetik a személyi sérülés kockázatát.
- **Ne fűjjen égő, füstölő dolgokat, például cigarettát, gyufát vagy forró hamut a kerti lombfűvóval.** Ezek a gyújtóforrások növelhetik a tűzveszélyt.
- **Ne érintse meg a ventilátort, amíg mozgásban van. Kapcsolja ki a kerti lombfűvót, és várja meg, amíg a ventilátor leáll, mielőtt bármilyen olyan alkatrészt eltávolítana, amely hozzáférést biztosíthat a ventilátorhoz.** Ez csökkenti a mozgó alkatrészek okozta sérülések kockázatát.
- **Az elakadt anyagok eltávolításakor vagy a kerti lombfűvő szervizelésekor ellenőrizze, hogy a főkapcsoló ki van-e kapcsolva.** A kerti lombfűvő váratlan bekapcsolódása a beakadt anyagok eltávolítása vagy a szervizelés során súlyos személyi sérüléshez vezethet.

Általános biztonsági utasítások



FIGYELMEZTETÉS: A termék használata előtt olvassa el az alábbi figyelmeztetéseket.

- Ez a termék veszélyes, ha helytelenül használja, vagy ha nem vigyáz. A biztonsági utasítások be nem tartása sérüléssel vagy halállal járhat.
- A termék működés közben elektromágneses mezőt hoz létre. Ez bizonyos körülmények esetén hatással lehet az aktív vagy passzív orvosi implantátumokra. A súlyos vagy halálos sérülés kockázatának csökkentése érdekében azt javasoljuk, hogy az orvosi implantátumot használó személyek a termék alkalmazása előtt kérjék ki orvosuk vagy az orvosi implantátum gyártójának tanácsát.
- Mindig megfontoltan és előrelátóan cselekedjen. Ha nem biztos benne, hogyan kell a terméket speciális helyzetben üzemeltetni, akkor hagyja abba a tevékenységet, és beszéljen a Husqvarna kereskedőjével a folytatás előtt.
- Ne feledje, hogy a kezelő felelős a másokat és a mások tulajdonát érő balesetekért is.
- Tartsa tisztán a terméket. Ügyeljen arra, hogy a jelek és címkék jól olvashatóak legyenek.
- Soha ne engedje, hogy gyermekek vagy a kezelési utasításokat nem ismerő személyek használják a készüléket. A helyi rendelkezések adott esetben kezelési korhatárt szabhatnak meg.
- Csökkent fizikai vagy szellemi képességekkel rendelkező személy csak felügyelet mellett használhatja a terméket. Egy felelős felnőttnek mindig jelen kell lennie.
- Ne használja a terméket, ha fáradt, beteg, illetve alkohol, drog vagy gyógyszer hatása alatt áll. Ez negatív hatással van a látására, az éberségére, a koordinációjára és az ítélőképességére.
- Ne használja a terméket, ha el sérült vagy nem működik megfelelően.
- Ne változtassa meg a terméket, vagy ne használja, ha feltehetőleg valaki más változtatásokat hajtott végre rajta.

Munkabiztonság



FIGYELMEZTETÉS: A termék használata előtt olvassa el az alábbi figyelmeztetéseket.

- Használjon személyi védőfelszerelést. Lásd: *Személyi védőfelszerelés 165. oldalon.*
- Mindenképpen legyen tisztában azzal, hogy vészhelyzet esetén hogyan kell gyorsan leállítani a motort.
- Ne működtesse a terméket esős vagy nedves körülmények között. A termékbe jutó víz növeli az áramütés kockázatát.

- Mindig maradjon a termék mögött, amikor működteti.
- Soha ne emelje fel a terméket, ha a motor jár. Ha mindenképpen fel kell emelnie a terméket, állítsa le a motort és az akkumulátort.
- Ne sétáljon hátrafelé a termék működtetése során.
- Állítsa le a motort, ha a terméket szállításhoz meg kell döntenie, vagy mielőtt olyan területeken haladna át, ahol nincs fű, például kavicsos, kövezett és aszfaltozott járdák.
- Ne fusson a termékkel, ha a motor jár. Mindig sétáljon a termék működtetése során.
- A termék működés közbeni rezgései eltérhetnek a következő részben megadott rezgésértékektől: *Műszaki adatok 171. oldalon.* Az eltérést a termék eltérő használati módja okozza. Ha a termék gyakran vagy hosszú ideig használja, a rezgések okozta sérülések elkerülése érdekében rendszeresen tartson szünetet.

Biztonsági utasítások az üzemeltetéshez



FIGYELMEZTETÉS: A termék használata előtt olvassa el az alábbi figyelmeztetéseket.

- Ha munka közben elbizonytalanodik a munka folytatását illetően, kérje szakember tanácsát. Forduljon kereskedőhöz vagy márkaszervizhez. Ne használja a gépet olyan feladatok elvégzésére, amelyekhez úgy véli, nem rendelkezik elegendő szakértelemmel.
- Bizonyosodjon meg arról, hogy biztonságosan tud járni és állni. Nézzon körül és ellenőrizze lehetséges akadályok (például gyökerek, kövek, gödrök, árkok stb.) jelenlétét arra az esetre, ha hirtelen el kellene mozdulnia. Legyen nagyon óvatos, amikor lejtős talajon dolgozik.
- Minden esetben tartsa meg egyensúlyát és álljon szilárdan. Ne nyújtózkodjon a termékkel.
- Fülvédő viselése esetén mindig figyeljen a figyelmeztető jelzésekre és hangokra. A termék leállítása után azonnal vegye le a fülvédőket.
- Nyitott ablakok közelében ne működtesse a terméket.
- Legyen tekintettel a közelben lakókra, ne használja a terméket alkalmatlan időpontban, például késő este vagy kora reggel. Tartsa be a helyi szabályzatokat és rendeleteket.
- Mindig a lehető legkisebb légáramlással üzemeltesse a terméket. Teljes légáramlásra ritkán van szükség, a legtöbb munka csökkentett légáramlással is elvégezhető. A kisebb légáramlás használata kevesebb zajjal és porral jár, és az összegyűjtött vagy mozgott szemét is könnyebben kezelhető így.
- Poros környezetben való használat előtt kissé nedvesítse be a felületet.

- A talajra tapadt szemetet gereblyével vagy kefével lazítsa meg.
- A lombfúvó nyílását a lehető legközelebb tartsa a talajhoz.
- Figyeljen a környezetére. Ne irányítsa a terméket emberek, állatok, játéktérületek, gépkocsik stb. felé.
- Minimalizálja a fűvási időt a poros területek enyhe benedvesítésével vagy permetezőberendezés használatával.
- Ügyeljen a szélirányra. Könnyítse meg a munkát a szél kihasználásával.
- Ha a termék rendellenes vibrálásba kezd, állítsa le a terméket és távolítsa el az akkumulátort.
- A nagy halmok mozgatása a lombfúvóval túlzottan időigényes, és fölösleges zajjal jár.
- Takarítson össze maga után. Győződjön meg róla, hogy ne fújt szemetet másnak a kertjébe.
- Ne fusson a termékkel.
- Az erős légáram úgy felgyorsíthatja a tárgyakat, hogy azok visszapattanva súlyos szemsérülést okozhatnak.

(ábra 16)

- Ne irányítsa a légáramot emberek vagy állatok felé.
- Mielőtt tartozékokat vagy más alkatrészeket szerelne fel vagy le, állítsa le a motort.
- Minden testrészét tartsa távol a forró felületektől.
- Soha ne tegye le a beindított terméket, hacsak nem tudja szemmel tartani azt.
- Létrán vagy állványzaton tilos használni a lombfúvót.

(ábra 17)

- Ne használja a terméket olyan körülmények között, amelyeknél baleset esetén nem lenne lehetséges segítséget hívni.
- Vigyázzon a felcsapódó tárgyaktól. Kövek, szemét stb. kerülhetnek a szembe, és vakságot, illetve súlyos sérüléseket okozhatnak.
- A termék töltésekor a fokozott biztonság érdekében használjon életvédelmi relét (RCI). Elektromos hiba esetén életvédelmi relé biztosítja a kezelő védelmét.
- Ez a termék kis rezgésterhelésével tűnik ki. Az erős rezgés miatt a vérkeringési zavarokban szenvedő személyeknél ér- vagy idegsérülések léphetnek fel. Forduljon orvoshoz, ha olyan tüneteket tapasztal, amelyek az erős rezgés hatására jöhetnek létre. Ezek a tünetek lehetnek többek között: zsigbadás, érzéskiesés, bizsergés, szúró érzés, fájdalom, erőtlenység, a bőr színének vagy felületének megváltozása. A tünetek többnyire az ujjakban, a kézben vagy a csuklóban jelentkeznek.
- Kizárólag a rendeltetésének megfelelően használja a terméket.
- Lehetetlen az összes elképzelhető helyzetet ismertetni. Mindig megfontoltan és előrelátóan tevékenykedjen. Kerülje az olyan helyzeteket, amelyek saját megítélése szerint meghaladják a képességeit. Ha a jelen kézikönyv elolvasása után is bizonytalannak érzi magát az üzemeltetés

eljárásokkal kapcsolatban, a folytatás előtt kérje ki egy szakértő véleményét.

- Mindig két kézzel fogja a terméket. Tartsa a terméket az oldala mellett.

(ábra 18)

Személyi védőfelszerelés



FIGYELMEZTETÉS: A termék használata előtt olvassa el az alábbi figyelmeztetéseket.

- A termék használata során viseljen jóváhagyott személyi védőfelszerelést. A személyi védőfelszerelés nem küszöböli ki teljes mértékben a sérülés kockázatát, de csökkenti a sérülés mértékét, ha bekövetkezik a baleset. A megfelelő felszerelés kiválasztásában kérje a márkakereskedő segítségét.
- Használjon jóváhagyott fülvédőt.

(ábra 19)

- Használjon jóváhagyott védőszemüveget. Ha arcvédőt használ, jóváhagyott védőszemüveget is kell viselnie. Jóváhagyott védőszemüvegek azok, amelyek megfelelnek az ANSI Z87.1 (USA), illetve EN 166 (EU-országok) szabványoknak.

(ábra 20)

- Szükség esetén viseljen kesztyűt.

(ábra 21)

- Használjon acéllemezes lábujjvédővel és csúszásgátló talppal ellátott védőbakancsot.

(ábra 22)

- Viseljen sűrű szövésű anyagból készült ruházatot. Vastag, hosszú nadrágot és hosszú ujjú felsőrészt viseljen. Ne viseljen bő ruházatot, mert az beakadhat a gallyakba és a bokrok ágaiba. Ne viseljen ékszereket, rövidnadrágot vagy szandált. Ne legyen meztőláb. Igazítsa haját vállmagasság fölé.
- Tartson elsősegélykészletet a közelben.

(ábra 23)

Biztonsági eszközök a terméken



FIGYELMEZTETÉS: A termék használata előtt olvassa el az alábbi figyelmeztetéseket.

- Ez a fejezet a termék biztonsági funkcióit és rendeltetését, valamint a megfelelő üzemelést biztosító ellenőrzések és karbantartási műveletek elvégzésének módját ismerteti. A termék részegységeinek helyével kapcsolatban lásd a *A termék áttekintése 160. oldalán* című fejezetben szereplő utasításokat.
- A termék élettartama lecsökkenhet, a balesetveszély pedig megnövekedhet, ha a termék karbantartását nem megfelelően hajtják végre, illetve ha a szervizt és/vagy a javításokat nem szakemberen végzik. Ha

további információra van szüksége, vegye fel a kapcsolatot a legközelebbi szervizszolgáltatóval.

- Soha ne használja a terméket sérült biztonsági felszerelésekkel. A termék biztonsági felszerelésének ellenőrzését és a karbantartási munkálatokat a jelen fejezetben leírtak szerint kell elvégezni. Ha az Ön terméke nem felel meg az alábbi vizsgálatok valamelyikénél, forduljon szervizműhelyéhez.
- A termék szervizeléséhez és javításához speciális szakmai képzésre van szükség. Ez különösen érvényes a termék biztonsági felszereléseire. Ha az Ön terméke nem felel meg az alábbi vizsgálatok valamelyikénél, akkor forduljon szervizműhelyéhez. Bármely termékünk megvásárlásakor garantáljuk a szakképzett javítást és szervizelést. Ha a terméket nem szervizműhellyel rendelkező szakkereskedőtől vásárolta, akkor kérje el tőle a legközelebbi szervizműhely címét.

A billentyűzet ellenőrzése

1. Tartsa lenyomva az BE/KI kapcsoló gombot (A), amíg az áramellátás jelzőfénye (B) világítani nem kezd. (ábra 24)
2. Ha a figyelmeztető jelzés (C) világít vagy villog, tekintse át a következőt: *Hibaelhárítás 170. oldalán*.

A kapcsológomb ellenőrzése

- Nyomja le, majd engedje fel a kapcsológombot annak ellenőrzésére, hogy a gomb szabadon mozog-e. (ábra 25)

Az akkumulátorral kapcsolatos biztonsági előírások



FIGYELMEZTETÉS: A termék használata előtt olvassa el az alábbi figyelmeztetéseket.

- Az ajánlott akkumulátortípus a 40-B series. Az akkumulátorok szoftveresen kódolva vannak.
- A tölthető 40-B series akkumulátort kizárólag a megfelelő Husqvarna termékek tápellátására használja. Ne használja az akkumulátort más eszközök áramforrásként, mivel ez balesetveszélyes.
- Elektromos áramütés veszélye. Ne csatlakoztassa az akkumulátorsarukat kulcsokhoz, csavarokhoz vagy egyéb fémhez. Ez az akkumulátor rövidzárlatát okozhatja.
- Ne használjon nem újratölthető akkumulátorokat.
- Ne tegyen tárgyakat az akkumulátor szellőzőnyílásaiba.
- Tartsa távol az akkumulátort a közvetlen napsütéstől, hőtől és nyílt lángtól. Az akkumulátor súlyos égési, illetve vegyi égési sérüléseket okozhat.
- Tartsa az akkumulátort esős, nedves környezetől távol.

- Tartsa az akkumulátort mikrohullámoktól és magas nyomástól távol.
- Soha ne próbálkozzon az akkumulátor szétszerelésével vagy széttörésével.
- Ne engedje, hogy az akkumulátorsav a bőrére kerüljön. Az akkumulátorsav bőrsérülést, bőrmarást és égési sérülést okozhat. Ha akkumulátorsav került a szemébe, ne dörzsölje, hanem legalább 15 percen át alaposan mossa a szemét vízzel. Ha akkumulátorsav került a bőrére, mossa le az érintett bőrfelületet bő szappanos vízzel. Forduljon orvoshoz.
- Az akkumulátort -10 °C (14 °F) és 40 °C (104 °F) közötti hőmérsékleten használja.
- Soha ne tisztítsa vízzel az akkumulátort vagy az akkumulátortöltőt. Lásd: *A termék, az akkumulátor és az akkumulátortöltő tisztítása 169. oldalon.*
- Ne használjon sérült akkumulátort.
- A tárolás során tartsa az akkumulátorokat távol a fém tárgyaktól, például szegektől, csavaroktól és ékszerektől.
- Az akkumulátor gyermekektől elzárva tartandó.
- Az akkumulátort csak jó szellőzésű helyiségben, napfénytől távol töltsen. Ne töltsen az akkumulátort nedves körülmények között.
- Az akkumulátortöltőt csak 5 °C (41 °F) és 40 °C (104 °F) közötti hőmérséklet esetén használja. A töltőkészüléket jól szellőző, száraz és pormentes környezetben használja.
- Ne tegyen tárgyakat az akkumulátortöltő hűtőnyílásaiba.
- Ne érintsen az akkumulátortöltő csatlakozóihoz fémtárgyakat, mivel ezek rövidzárlatot okozhatnak a töltőkészülékben.
- Jóváhagyott, sértetlen hálózati aljzatot használjon. Ellenőrizze, hogy az akkumulátortöltő tápkábele nem sérült-e. Hosszabbítókábelek használata esetén győződjön meg arról, hogy a hosszabbítókábelek nem sérültek-e.
- Ne töltsön nem újratölthető akkumulátorokat a töltővel.

Biztonsági utasítások a karbantartáshoz

Az akkumulátortöltő készülék biztonsága



FIGYELMEZTETÉS: A termék használata előtt olvassa el az alábbi figyelmeztetéseket.



FIGYELMEZTETÉS: A terméken végzett karbantartási műveletek előtt olvassa el az alábbi figyelmeztetéseket.

- Áramütés vagy rövidzárlat veszélye, ha a biztonsági utasításokat nem tartják be.
- Ne használjon mást a termékhez mellékelt akkumulátortöltőn kívül. Kizárólag 40-C80 töltőkészülékeket használjon a 40-B sorozatú csereakkumulátorok töltéséhez.
- Ne próbálkozzon az akkumulátortöltő szétszerelésével.
- Ne használja a sérült vagy nem megfelelően működő akkumulátortöltőt.
- Ne emelje fel az akkumulátortöltőt a tápkábelnél fogva. Az akkumulátortöltő fali aljzattól történő kihúzásához a dugaszt húzza. Ne a tápkábelt húzza.
- Minden kábelt és hosszabbítókábel óvjon a víztől, az olajtól és az éles peremektől. Ügyeljen rá, hogy a kábel ne akadjon be ajtóba, korlátba vagy ezekhez hasonló tárgyakra.
- Ne használja az akkumulátortöltőt gyúlékony anyagok vagy olyan anyagok közelében, amelyek korróziót okozhatnak. Győződjön meg róla, hogy az akkumulátortöltőt nem fedi semmi. Amennyiben a töltő füstölni vagy égni kezdene, húzza ki a dugóját.
- Karbantartás, egyéb ellenőrzések vagy a termék összeszerelése előtt távolítsa el az akkumulátort.
- A kezelő kizárólag a jelen használati utasításban szereplő karbantartási és szervizmunkákat végezheti el. A szélesebb körű karbantartási és szervizmunkákkal kapcsolatban forduljon a szakszervizhez.
- Soha ne tisztítsa vízzel az akkumulátort vagy az akkumulátortöltőt. Az erős tisztítószerek kárt tehetnek a műanyagban.
- A karbantartási műveletek elmulasztása csökkenti a termék élettartamát, illetve növeli a balesetveszélyt.
- A gépen végzett minden szerviz- és javítási munkát szakképzettséget igényel, különös tekintettel a biztonsági eszközökre. Amennyiben a karbantartást követően nem minden, a használati utasításban leírt ellenőrzési művelet jóváhagyott, forduljon a szakszervizhez. Garantáljuk a termékéhez megfelelő, professzionális javítást és szervizelést.
- Kizárólag eredeti pótalkatrészeket használjon.

Összeszerelés

Bevezető



FIGYELMEZTETÉS: Figyelmesen olvassa el a biztonságról szóló fejezetet, mielőtt összeállítaná a terméket.

1. Szerelje fel az akkumulátortöltőt a falra a 2 csavarral (A). Szükség esetén használjon tipliket (B). (ábra 27)
2. Helyezze fel a 2 csavarfuratsapkát (C).
3. Csatlakoztassa a tápkábelt (D) egy akkumulátortöltőhöz és egy fali aljzathoz.

A fúvóka felszerelése

1. Helyezze a fúvókát a termék elülső végére. (ábra 26)
2. Nyomja be a fúvókát, amíg egy kattánást nem hall.

Az akkumulátortöltő felszerelése (40-C80) a falra



VIGYÁZAT: Az akkumulátortöltő falra történő felszereléséhez ne használjon elektromos csavarhúzózt. Az elektromos csavarhúzó kárt tehet az akkumulátortöltőben.

Üzemeltetés

Bevezető



FIGYELMEZTETÉS: A termék használata előtt figyelmesen olvassa el a biztonságról szóló fejezetet.

és meg kell értenie a biztonságról szóló fejezetet. Olvassa el figyelmesen az akkumulátorhoz és az akkumulátortöltőhöz mellékelt használati útmutatót is.

A funkciók ellenőrzése a termék használata előtt

1. Ellenőrizze a levegőbeömlő nyílást, hogy nem található-e rajta szennyeződés vagy repedés. Egy kefe segítségével tisztítsa meg a terméket a fűtől és a levelektől. Lásd: *A levegőbeömlő nyílás ellenőrzése 169. oldalon.*
2. Győződjön meg arról, hogy a termék megfelelően működik.
3. Ellenőrizze, hogy az anyák és a csavarok szorosan meg vannak-e húzva.

Tartsa az akkumulátort és az akkumulátortöltőt megfelelő környezeti hőmérsékleten.

	Környezeti hőmérséklet
A termék működése	-5 °C – 40 °C / 23 °F - 104 °F
Az akkumulátor feltöltése	5 °C – 40 °C / 41 °F - 104 °F

Akkumulátor



FIGYELMEZTETÉS: Az akkumulátor használata előtt el kell olvasnia

LED-es akkumulátorjelző

A kijelző jelzi az akkumulátor töltöttségét, valamint azt, hogy van-e valami probléma az akkumulátorral. (ábra 28)

LED jelzőlámpa	Az akkumulátor állapota (töltöttségi állapot)
	40-B140
4 LED világít	Az akkumulátor töltöttsége 76–100%-os.

LED jelzőlámpa	Az akkumulátor állapota (töltöttségi állapot)
3 LED világít	Az akkumulátor töltöttsége 51–75%-os.
2 LED világít	Az akkumulátor töltöttsége 26–50%-os.
1 LED világít	Az akkumulátor töltöttsége 6–25%-os.
1 LED villog	Az akkumulátor töltöttsége 0–5%-os.

Az akkumulátor töltése

Az első használat előtt tölts fel az akkumulátort. Az új akkumulátorok csak 30%-ra vannak feltöltve.



VIGYÁZAT: Az akkumulátortöltőt az adattáblán szereplő feszültségű és frekvenciájú tápaljzathoz csatlakoztassa.

50 °C/122 °F feletti hőmérséklet esetén az akkumulátor nem töltődik fel.

1. Csatlakoztassa a tápkábelt az akkumulátortöltőhöz.
2. Csatlakoztassa az akkumulátortöltőt földelt hálózati aljzathoz. A töltést jelző LED egyszer felvillan. (ábra 29)
3. Csatlakoztassa az akkumulátort a töltőkészülékhez. A töltést jelző LED világítani kezd. Az akkumulátort legfeljebb 24 óráig tölts. (ábra 30)
4. Nyomja meg az akkumulátorjelző gombot. Ha az összes LED jelzőlámpa világít, az akkumulátor teljesen fel van töltve.
5. Húzza ki a tápkábelt, és csatlakoztassa le az akkumulátortöltőt a tápcsatlakozóról. Ne a tápkábelt húzza.
6. Vegye ki az akkumulátort a töltőből.

Az akkumulátor csatlakoztatása a termékhez



FIGYELMEZTETÉS: Kizárólag az ajánlott Husqvarnaakkumulátort használja a termékben.

Karbantartás

Bevezető



FIGYELMEZTETÉS: Karbantartási munkák előtt el kell olvasnia és meg kell értenie a biztonságról szóló fejezetet.

Karbantartási terv



FIGYELMEZTETÉS: Karbantartási munkák előtt távolítsa el az akkumulátort.

Alább következik egy lista a termék karbantartásával kapcsolatos lépésekről.

1. Ellenőrizze, hogy az akkumulátor teljesen fel van-e töltve.
2. Nyomja az akkumulátort az akkumulátortartóba, míg kattánást hall. Az akkumulátornak könnyen kell mozognia. Ha nem, akkor az akkumulátor behelyezése nem a megfelelő módon történik. (ábra 31)

A termék elindítása

1. Tartsa lenyomva az indítógombot, amíg a zöld LED világítani nem kezd. (ábra 32)
2. A terméket a kapcsológombbal működtetheti.

Az optimális légáramlás beállítása az adott munkához

- A légáramlást a fordulatszám-szabályozó gomb megnyomásával állíthatja be. A termék 3 légáramlás-fokozattal rendelkezik. (ábra 33)

A termék leállítása

1. Engedje el a kapcsológombot.
2. Nyomja le és tartsa lenyomva a bekapcsológombot, amíg a zöld LED ki nem alszik.
3. Nyomja meg a kioldógombot, és húzza ki az akkumulátort. (ábra 34)

Automatikus leállítási funkció

A termék automatikus leállítási funkciója leállítja a terméket, amikor az nincs használatban. Az áramállítást jelző zöld LED kialszik, és a termék 3 perc után leáll.

Karbantartás	Naponta	Hetente	Havi
Tisztítsa meg a terméket tiszta és száraz ruhával. Ne használjon vizet.	X		
Bizonyosodjon meg arról, hogy a fogantyúk szárazak és tiszták.	X		
Ellenőrizze a számbilentyűzetet.	X		
Ellenőrizze a kapcsológombot.	X		
Ellenőrizze, hogy az anyák és csavarok szorosan meg vannak-e húzva.	X		
Ellenőrizze, hogy az akkumulátor sértetlen-e.	X		
Ellenőrizze az akkumulátor töltöttségét.	X		
Ellenőrizze, hogy az akkumulátor kioldógombjai nem sérültek-e, és rögzítik-e az akkumulátort a termékben.	X		
Ellenőrizze, hogy az akkumulátortöltő sértetlen-e.	X		
Ellenőrizze, hogy a csatlakozók, csatlakozások és kábelek tiszták és sértetlenek-e.		X	
Ellenőrizze az akkumulátor, az akkumulátortöltő és a termék csatlakozásait.			X

A levegőbeömlő nyílás ellenőrzése

1. Győződjön meg arról, hogy a levegőbeömlő nincs eltömődve. (ábra 35)
2. Szükség esetén állítsa le a terméket, és távolítsa el a nemkívánatos anyagokat.



VIGYÁZAT: A levegőbeömlő nyílás eltömődése csökkenti a termék fűvételjesítményét és növeli a motor üzemi hőmérsékletét. Ez a motor túlmelegedésből adódó meghibásodásához vezethet.

Az akkumulátor és az akkumulátortöltő ellenőrzése

1. Ellenőrizze, hogy az akkumulátoron nem találhatók-e sérülések, például repedések.

2. Ellenőrizze, hogy az akkumulátortöltőn nem találhatók-e sérülések, például repedések.
3. Ellenőrizze, hogy az akkumulátortöltő csatlakozókábele nem sérült-e, és hogy nincs-e rajta repedés.

A termék, az akkumulátor és az akkumulátortöltő tisztítása

1. Használat után tisztítsa meg a terméket egy száraz ruhával.
2. Tisztítsa meg az akkumulátort és az akkumulátortöltőt egy száraz ruhával. Tartsa tisztán az akkumulátorvezető síneket.
3. Mielőtt a töltőkészülékbe vagy a termékbe helyezné az akkumulátort, gondoskodjon az akkumulátor és a töltő érintkezőinek tisztaságáról.

Hibaelhárítás

Billentyűzet

LED-kijelző	Lehetséges hibák	Lehetséges megoldások
A piros hibajelző LED villog	Hőmérséklet-ingadozás.	Hagyja lehűlni a terméket.
	Szennyeződés az akkumulátorcsatlakozókon, vagy a ventilátor elakadt.	Tisztítsa meg sűrített levegő vagy puha kefe segítségével.
	Az akkumulátor lemerült.	Töltse fel az akkumulátort.
	Az akkumulátor megsérült.	Forduljon a szervizműhelyhez.

Akkumulátor

LED-kijelző	Lehetséges hibák	Lehetséges megoldások
A zöld LED-lámpa villog.	Alacsony akkumulátorfeszültség.	Töltse fel az akkumulátort.
Villog a hibajelző LED-lámpa.	Hőmérséklet-ingadozás.	Az akkumulátort csak -5 °C – 40 °C / 23 °F - 104 °F közötti hőmérsékleten használja.
	Túl magas feszültség.	Ügyeljen, hogy a hálózati feszültség megegyezzen a termék adattábláján szereplő feszültség értékével. Vegye ki az akkumulátort a töltőből.
A hibajelző LED-lámpa világít.	Túl nagy a cellák közti különbség (1 V).	Forduljon az illetékes szakszervizhez.

Akkumulátortöltő

LED-kijelző	Lehetséges hibák	Lehetséges megoldások
A töltést jelző LED folyamatosan pirosan világít.	Megsérült az akkumulátortöltő.	Forduljon az illetékes szakszervizhez.
A töltést jelző LED zölden villog.	Az akkumulátor hőmérséklete a töltési tartományon kívül van.	Hagyja lehűlni, vagy melegítse fel az akkumulátort. Ha az akkumulátor hőmérséklete megfelelő, ismét használható vagy tölthető. Az akkumulátortöltőt 5 °C – 40 °C / 41 °F - 104 °F közötti környezeti hőmérsékleten használja.
A töltést jelző LED pirosan villog.	Az akkumulátor megsérült.	Forduljon az illetékes márkaszervizzel.

Szállítás, tárolás és ártalmatlanítás

Szállítás és raktározás

- A mellékelt lítium-ion akkumulátorokra a veszélyes anyagokra vonatkozó jogszabályok követelményei érvényesek.
- Kereskedelmi szállításnál – harmadik fél és szállítmányozó cégek esetén is – a csomagolásra és címkézésre vonatkozó speciális előírásokat be kell tartani.
- A termék elküldése előtt forduljon egy veszélyes anyagok tekintetében szakképzett személyhez. Tartsa be az összes vonatkozó nemzeti előírást.
- Ha az akkumulátort becsomagolja, a szabadon álló érintkezőket le kell fedni ragasztószalaggal. Szorosan csomagolja be az akkumulátort, hogy az ne mozdulhasson el a csomagoláson belül.
- Tároláshoz vagy szállításhoz távolítsa el az akkumulátort.
- Helyezze az akkumulátort és az akkumulátortöltőt száraz, nedvesség- és fagymentes helyre.
- Ne tartsa az akkumulátort olyan helyen, ahol elektrosztatikus töltés lehet jelen. Ne tartsa az akkumulátort fém dobozban.
- Az akkumulátort közvetlen napfénytől védett helyen tárolja, ahol a hőmérséklet 5 °C / 41 °F and 25 °C / 77 °F közötti.
- Az akkumulátortöltőt közvetlen napfénytől védett helyen tárolja, ahol a hőmérséklet 5 °C/41 °F and 45 °C/113 °F közötti.
- Az akkumulátortöltőt csak 5 °C – 40 °C / 41 °F - 104 °F közötti környezeti hőmérsékleten használja.

- Hosszú ideig való tárolás előtt töltsse fel az akkumulátort 30–50%-ra.
- A terméket olyan helyen tárolja, ahol a környezeti hőmérséklet -40 °C (-40 °F) és 60 °C (140 °F) között van
- Az akkumulátortöltőt száraz, zárt helyen tárolja.
- A tárolás során tartsa távol az akkumulátort az akkumulátortöltőtől. Ügyeljen arra, hogy gyermekek és más jogosulatlan személyek ne érhessenek a berendezéshez. A berendezést kulccsal zárható helyen tárolja.
- A hosszú ideig való tárolás előtt tisztítsa meg a terméket, és végezze el annak teljes karbantartását.
- Szállításkor rögzítse biztosan a terméket.

Az akkumulátor, az akkumulátortöltő és a termék ártalmatlanítása

A terméken vagy annak csomagolásán található szimbólumok azt jelzik, hogy a termék nem minősül háztartási hulladéknak. Újrahasznosítását egy elektromos és elektronikus berendezések újrahasznosítására szolgáló ponton kell elvégezni. Ez elősegíti a környezetre és a személyekre gyakorolt káros hatások megelőzését.

A termék újrahasznosításával kapcsolatos további információkért forduljon a helyi hatóságokhoz, hulladékártalmatlanítási szolgáltatást végző vállalkozáshoz vagy kereskedőjéhez.

Műszaki adatok

Műszaki adatok

	122iB
Motor	
Motortípus	PMDC
Tömeg	
Tömeg akkumulátor nélkül, kg	1,9
Zajkibocsátás, hangszintek ^{34 35}	
Hangteljesítményszint, mért dB (A) érték	92,2

³⁴ A környezet zajkibocsátása hangteljesítményként (L_{WA}) mérve a 2000/14/EK irányelvvel összhangban 1,0 dB (A) tipikus statisztikus ingadozással (standard szórással) rendelkezik.

³⁵ A gép ekvivalens hangnyomásszintjére vonatkozó jelentési adatok 1,3 dB (A) tipikus statisztikus ingadozással (szórással) rendelkeznek.

	122iB
Hangteljesítményszint, garantált, L _{WA} dB (A)	93
A kezelő fülénél mért EN IEC 62841-4-6 és ISO 22868 szerinti egyenértékű hangnyomásszint, dB (A):	82,8
Rezgésszintek ³⁶	
Az EN IEC 62841-4-6 szerint mért rezgésszintek a fogantyúknál, m/s ²	1,13
Ventilátor teljesítménye	
Térfogatáram csúcserőtelje, m ³ /óra	865
Elméleti csúcssebesség, m/s.	53
Fűvóerő, N	11

A zaj- és vibrációdatok a legnagyobb névleges sebesség alapján kerülnek meghatározásra.

Megjegyzés: A deklarált rezgés teljes értéke és a zajkibocsátás deklarált értékének mérése szabványos vizsgálati módszerrel történt, és az érték felhasználható a szerszámok összehasonlítására.

Megjegyzés: A rezgés teljes értéke és a zajkibocsátás deklarált értéke a kitétségi előzetes becsléséhez is használható.

Megjegyzés: A termék tényleges használata során a rezgés- és zajkibocsátás eltérhet a megadott teljes értéktől, attól függően, hogyan használják a terméket. Meg kell határozni a kezelő védelmét szolgáló biztonsági intézkedéseket a tényleges használati feltételek melletti kitétség becslése alapján. A becslésbe vegye bele a működési ciklus minden részét, például a termék kikapcsolt állapotban töltött idejét, az üresjáratot, valamint a tényleges működtetési időt is.

A termék esetében jóváhagyott akkumulátorok

Akkumulátor	40-B140
Típus	Lítium-ion
Akkumulátor kapacitása, Ah	Lásd az akkumulátor típuscímkéjét
Névleges feszültség, V	36
Tömeg, kg/font	1,25/2,76

Jóváhagyott akkumulátortöltők

Akkumulátortöltő	40-C80
Bemeneti feszültség, V	100–240
Frekvencia, Hz	50–60
Teljesítmény, W	72
Kimeneti feszültség, V egyenáram/amper, A	43/1,6

³⁶ A rezgésszintre vonatkozó jelentési adatok az 1,5 m/s² tipikus statisztikus ingadozásával (szórásával) rendelkeznek.

Megfelelőségi nyilatkozat

EU megfelelési nyilatkozat

A **Husqvarna AB**, SE-561 82 Huskvarna, SVÉDORSZÁG (tel.: +46-36-146500), a saját felelősségére kijelenti, hogy a termék:

Leírás	Kézi akkumulátoros lombfűvő
Márka	Husqvarna
Típus/modell	122iB
Megjelölés	2025-as és újabb sorozatszámok

megfelel a következő módosított uniós irányelveknek és rendeleteknek:

Szabályozás	Leírás
2006/42/EK	„gépre vonatkozó”
2014/30/EU	„elektromágneses megfelelésre vonatkozó”
2011/65/EU	„az egyes veszélyes anyagok elektromos és elektronikus berendezésekben való alkalmazásának korlátozására vonatkozó”
2000/14/EK	„környezeti zajkibocsátásra vonatkozó”

valamint hogy az alábbi szabványok és/vagy műszaki előírások kerültek alkalmazásra: EN 62841-1:2015/A11:2022, EN IEC 62841-4-6:2024/A11:2024, EN IEC 63000:2018

EN IEC 55014-1:2021, EN IEC 55014-2:2021

A 2000/14/EK irányelv V. mellékletének megfelelően a deklarált zajértékek az alábbiakban láthatók: *Műszaki adatok 171. oldalon.*

Huskvarna, 2025-11-03

Claes Losdal, K+F menedzser, Husqvarna AB

A műszaki dokumentációk felelőse



Sommario

Introduzione.....	174	Ricerca guasti.....	184
Sicurezza.....	175	Trasporto, stoccaggio e smaltimento.....	185
Montaggio.....	181	Dati tecnici.....	185
Utilizzo.....	181	Dichiarazione di conformità.....	188
Manutenzione.....	182		

Panoramica del prodotto

(Fig. 1)

1. Ugello soffiatore
2. Pulsante di rilascio dell'ugello del soffiatore
3. Tastierino
4. Leva di comando
5. Impugnatura
6. Pulsante ON/OFF alimentazione
7. Indicatore di corrente
8. LED di errore della spia di avvertenza
9. Pulsante di controllo della velocità
10. Supporti
11. Pulsante indicatore dello stato della batteria
12. Stato della batteria
13. Spia di avvertenza della batteria
14. Pulsante per il rilascio della batteria
15. Batteria
16. Spia di accensione e avvertenza
17. Connettore
18. Caricabatterie 40-C80
19. Manuale dell'operatore

Descrizione del prodotto

L'Husqvarna 122iB è un modello di soffiatore con motore elettrico.

Uso previsto

Questo prodotto è un soffiatore portatile affidabile e facile da usare per tutte le attività di soffiaggio e pulizia generale in casa e in giardino.

Simboli riportati sul prodotto

- (Fig. 2) **AVVERTENZA:** questo prodotto può essere pericoloso e causare lesioni gravi o mortali all'operatore o a terzi. Prestare attenzione e utilizzare il prodotto correttamente.
- (Fig. 3) Leggere attentamente il manuale dell'operatore e accertarsi di aver compreso le istruzioni prima di utilizzare il prodotto.
- (Fig. 4) Utilizzare protezioni per gli occhi omologate.
- (Fig. 5) **AVVERTENZA -** Tenere a distanza le persone presenti.
- (Fig. 6) Non esporre alla pioggia.

(Fig. 7) Emissioni di rumore nell'ambiente in conformità alle direttive e alle norme UE e alla norma del Nuovo Galles del Sud in materia di protezione dell'ambiente "Protection of the Environment Operations (Noise Control) Regulation 2017". Il livello di potenza sonora garantito del prodotto è specificato in *Dati tecnici alla pagina 185* e sull'etichetta.

(Fig. 8) Il prodotto o l'imballaggio del prodotto non è un rifiuto domestico. Riciclarlo in una stazione di riciclaggio per apparecchiature elettriche ed elettroniche.

(Fig. 9) Il prodotto è conforme alle direttive CE applicabili.

(Fig. 10) Tensione nominale, V

(Fig. 11) Corrente diretta.

aaaa-ssxxxx | La targhetta dati di funzionamento indica il numero di serie. **yyyy** è l'anno di produzione, **ww** è la settimana di produzione e **xxxx** è il numero sequenziale.

Nota: I restanti simboli/decalcomanie applicati sul prodotto riguardano particolari requisiti necessari per ottenere la certificazione in alcuni mercati.

Simboli sulla batteria e/o sul caricabatterie

- (Fig. 12) Trasformatore a prova di guasto.
- (Fig. 13) Utilizzare e conservare il caricabatteria solo in ambienti interni.
- (Fig. 14) Doppio isolamento.
- (Fig. 15) Riciclare questo prodotto in una stazione di riciclaggio per apparecchiature elettriche ed elettroniche. (Solo per l'Europa)

Danni al prodotto

Non siamo responsabili dei danni al prodotto se:

- Il prodotto viene riparato in modo errato.
- Il prodotto viene riparato con parti che non provengono o non sono omologate dal produttore.
- Il prodotto contiene un accessorio che non proviene o non è omologato dal produttore.

- Il prodotto non viene riparato presso un centro di assistenza autorizzato o presso un'autorità competente.

Produttore

Husqvarna AB

Drottninggatan 2, SE-561 82 Huskvarna

Sicurezza

Definizioni di sicurezza

Le avvertenze, le precauzioni e le note sono utilizzate per evidenziare le parti importanti del manuale.



AVVERTENZA: Utilizzato se è presente un rischio di lesioni o morte dell'operatore o di passanti nel caso in cui le istruzioni del manuale non vengano rispettate.



ATTENZIONE: Utilizzato se è presente un rischio di danni al prodotto, ad altri materiali oppure alla zona adiacente nel caso in cui le istruzioni del manuale non vengano rispettate.

Nota: Utilizzato per fornire ulteriori informazioni necessarie in una determinata situazione.

Norme generali di sicurezza della macchina



AVVERTENZA: Leggere tutte le norme di sicurezza, istruzioni, illustrazioni, istruzioni e specifiche fornite con la presente macchina. La mancata osservanza di tutte le istruzioni elencate di seguito può dare luogo a scosse elettriche, incendi e/o gravi lesioni.

Conservare tutte le avvertenze e le istruzioni per la futura consultazione.

Nota: Il termine "macchina" usato nelle norme di sicurezza fa riferimento a macchine alimentate dalla rete (con cavo di alimentazione) e a macchine alimentate a batteria (senza cavo di alimentazione).

Sicurezza dell'area di lavoro

- Tenere l'area di lavoro pulita e ben illuminata. Il disordine e le aree di lavoro non illuminate possono essere causa di incidenti.
- Non lavorare con la macchina in ambienti a rischio di esplosione nei quali si trovano fluidi, gas o polveri

infiammabili. Le macchine producono scintille che potrebbero accendere polveri e vapori.

- **Durante l'utilizzo della macchina tenere a distanza bambini e altre persone.** Le distrazioni possono causare la perdita del controllo.

Sicurezza elettrica

- **La spina della macchina deve essere adatta alla presa. Evitare assolutamente di apportare modifiche alla spina. Non utilizzare adattatori per spine con macchine dotate di messa a terra.** Le spine non modificate e le prese adatte allo scopo riducono il rischio di scosse elettriche.
- **Evitare il contatto con superfici messe a massa o collegate a terra, come condutture, radiatori, stufe e frigoriferi.** In casi simili, si verificherebbe un aumento del rischio di scosse elettriche.
- **Non esporre le macchine a pioggia o umidità.** La penetrazione di acqua in una macchina aumenta il rischio di scossa elettrica.
- **Non rovinare il cavo elettrico. Non utilizzare mai il cavo per trasportare, tirare o scollegare dalla presa la macchina. Non avvicinare il cavo a fonti di calore, olio, spigoli taglienti e neppure a parti della macchina che siano in movimento.** I cavi danneggiati o attorcigliati fanno aumentare il rischio di scosse elettriche.
- **Utilizzare, quando si lavora all'aperto con una macchina, solamente prolunghe adatte per gli ambienti esterni.** L'uso di un cavo omologato per l'impiego all'aperto riduce il rischio di scosse elettriche.
- **Se l'impiego della macchina in ambienti umidi è inevitabile, utilizzare una fonte di alimentazione con interruttore differenziale (salvavita).** L'utilizzo di un salvavita riduce il rischio di scosse elettriche.

Sicurezza personale

- **È importante concentrarsi su ciò che si sta facendo e maneggiare con giudizio la macchina durante le operazioni di lavoro. Non utilizzare mai la macchina in condizioni di stanchezza o sotto l'influsso di droghe, alcol o farmaci.** Basta un solo momento di distrazione durante l'utilizzo della macchina per ferirsi gravemente.
- **Usare sempre abbigliamento protettivo personale. Utilizzare sempre una protezione per gli occhi.** L'uso in condizioni adeguate dell'abbigliamento protettivo

(come mascherina protettiva, calzature di sicurezza antiscivolo, elmetto o cuffie protettive) riduce le lesioni personali.

- **Prevenire la messa in funzione accidentale. Accertarsi che l'interruttore sia in posizione OFF prima di effettuare il collegamento alla presa dell'alimentazione e/o alla batteria, di sollevare o trasportare la macchina.** Se, in fase di trasporto della macchina, si tiene il dito sull'interruttore ovvero se si lascia collegata la macchina all'alimentazione elettrica, si possono verificare degli incidenti.
- **Rimuovere eventuali chiavi o strumenti di regolazione prima di accendere la macchina.** Una chiave o altro attrezzo rimasto attaccato a parti rotanti della macchina può provocare lesioni personali.
- **Operare in sicurezza. Operare sempre facendo attenzione a posizionare bene i piedi e a mantenere l'equilibrio.** In questo modo si potrà controllare meglio la macchina in situazioni inaspettate.
- **Vestirsi in maniera adeguata. Non indossare abiti troppo ampi o gioielli. Tenere capelli e indumenti lontani dalle parti in movimento.** Lasciati liberi, indumenti, gioielli o capelli lunghi possono restare impigliati nelle parti in movimento.
- **Se vengono forniti dispositivi per il collegamento a strutture di aspirazione e raccolta delle polveri, accertarsi che siano collegate e utilizzate adeguatamente.** La raccolta delle polveri può ridurre i rischi legati alla presenza di questo agente.
- **Non lasciarsi ingannare da un falso senso di sicurezza e non andare oltre le norme di sicurezza per la macchina, anche se si è acquisita familiarità con l'apparecchio elettrico dopo averlo usato diverse volte.** Un'azione incauta può provocare gravi danni in una frazione di secondo.

Utilizzo e trattamento della macchina

- **Non sovraccaricare la macchina. Utilizzare la macchina corretta per un'attività ad essa destinata.** Con la macchina adatta si lavorerà meglio e in modo più sicuro nel settore di attività previsto.
- **Non utilizzare alcuna macchina il cui interruttore è difettoso.** Una macchina che non può essere controllata tramite l'interruttore è pericolosa e deve essere riparata.
- **Scollegare la spina dalla fonte di alimentazione e/o rimuovere dalla macchina il pacco batterie, se staccabile, prima di procedere a eventuali regolazioni, sostituzioni di accessori o alla conservazione dei prodotti.** Tali misure di sicurezza preventive riducono il rischio di avvio accidentale della macchina.
- **Conservare le macchine non utilizzate lontano dalla portata dei bambini. Non fare utilizzare la macchina a persone che non ne hanno dimestichezza o che non hanno letto le presenti istruzioni.** Le macchine, se utilizzate da persone inesperte, sono pericolose.
- **Effettuare la manutenzione della macchine e degli accessori. Identificare eventuali disallineamenti o**

inceppamenti delle parti in movimento, rottura di componenti o altre condizioni che possano ripercuotersi sul funzionamento della macchina. Far riparare le parti danneggiate prima dell'utilizzo della macchina. Molti incidenti dipendono dalla cattiva manutenzione delle macchine.

- **Mantenere affilata e pulita le macchine da taglio.** Con una manutenzione adeguata, le macchine da taglio con bordi taglienti affilati risultano più facili da controllare e meno pericolose.
- **Utilizzare la macchina, gli accessori, le punte ecc. come indicato nelle presenti istruzioni, tenendo conto delle condizioni di lavoro e della prestazione da effettuare.** L'utilizzo di macchine per altre applicazioni rispetto a quelle previste può causare situazioni di pericolo.
- **Mantenere le impugnature e le superfici di presa asciutte, pulite e prive di olio e grasso.** Impugnature e superfici dell'impugnatura scivolose non permettono un utilizzo e un controllo sicuro della macchina in situazioni impreviste.

Utilizzo e manutenzione della macchina a batteria

- **Ricaricare l'attrezzo esclusivamente utilizzando il caricabatterie specificato dal produttore.** L'utilizzo di un caricabatterie indicato per un altro tipo di batteria potrebbe provocare rischio di incendio.
- **Utilizzare nelle macchine solamente le batterie previste per esse.** L'utilizzo di altri pacchi batteria potrebbe provocare lesioni e incendi.
- **Quando la batteria non viene utilizzata, tenerla lontana da altri oggetti metallici, come graffette, monete, chiavi, chiodi, viti o altri piccoli oggetti metallici che potrebbero consentire il collegamento tra i terminali.** Provocare il cortocircuito dei terminali della batteria potrebbe causare ustioni o provocare un incendio.
- **In condizioni non ottimali, la batteria potrebbe perdere liquido; evitare il contatto. Qualora il contatto avvenisse, sciacquare la parte con acqua. Se il liquido entra negli occhi, chiamare immediatamente un medico.** Il liquido fuoriuscito dalla batteria potrebbe causare irritazioni o ustioni.
- **Non usare batterie o macchine danneggiate o modificate.** Batterie danneggiate o modificate possono manifestare un comportamento imprevedibile, con rischio di incendi, esplosioni e lesioni.
- **Non esporre batterie o macchine al fuoco o a temperature elevate.** L'esposizione al fuoco o una temperatura superiore a 130 °C (265°F) può provocare esplosioni.
- **Seguire tutte le istruzioni per il caricamento della batteria e non caricare la batteria o la macchina al di fuori dell'intervallo di temperatura indicato nelle istruzioni.** Ricaricare in modo inappropriato o a temperature che non rientrano nell'intervallo specificato può danneggiare la batteria e aumentare il rischio di incendio.

Servizio

- **Far riparare la macchina solamente da personale qualificato e unicamente con parti di ricambio originali.** In questo modo viene garantita la sicurezza della macchina.
- **Non riparare mai le batterie danneggiate.** Gli interventi sulle batterie dovrebbe essere eseguito solo dal produttore o da centri assistenza autorizzati.

Avvertenze di sicurezza relative al soffiatore da giardino

- **Non utilizzare il soffiatore da giardino in condizioni climatiche sfavorevoli, specialmente se vi è rischio di fulmini.** Ciò riduce il rischio di essere colpiti da un fulmine.
- **Indossare una protezione per gli occhi.** I dispositivi di protezione adeguati riducono il rischio di lesioni personali.
- **Durante l'utilizzo del soffiatore da giardino, indossare sempre calzature antiscivolo e protettive. Non utilizzare il soffiatore da giardino a piedi nudi o indossando sandali aperti.** In questo modo si riduce il rischio di lesioni ai piedi.
- **Non indossare indumenti larghi o oggetti come sciarpe, lacci, catenine, cravatte, ecc. che potrebbero essere aspirati nelle prese d'aria. Legare o coprire i capelli lunghi per assicurarsi che non vengano aspirati nelle prese d'aria.** Se uno di questi oggetti viene aspirato nelle prese d'aria, il rischio di lesioni personali potrebbe aumentare.
- **Tenere lontani i presenti mentre si utilizza il soffiatore da giardino.** I detriti gettati possono aumentare il rischio di lesioni personali.
- **Non puntare mai l'ugello del soffiatore nella direzione di persone o animali o verso le finestre. Prestare particolare attenzione quando si soffiano detriti in prossimità di oggetti solidi, come alberi, automobili e pareti che possono causare il rimbalzo dei detriti.** Gli oggetti proiettati possono danneggiare le proprietà e aumentare il rischio di lesioni personali.
- **Non usare il soffiatore da giardino per soffiare materiali infiammanti o che emettono fumo, come sigarette, fiammiferi o ceneri calde.** Queste fonti di accensione possono aumentare il rischio di incendio.
- **Non toccare la ventola mentre è ancora in movimento. Spegner il soffiatore da giardino e attendere che la ventola si arresti prima di rimuovere qualsiasi parte che possa consentire l'accesso alla ventola.** In questo modo si riduce il rischio di lesioni dovute alle parti in movimento.
- **Quando si rimuovono i materiali inceppati o si esegue la manutenzione del soffiatore da giardino, assicurarsi che l'interruttore di alimentazione sia spento.** L'avvio imprevisto del soffiatore da giardino durante la rimozione di eventuali residui o la manutenzione, può causare gravi lesioni personali.

Istruzioni di sicurezza generali



AVVERTENZA: Leggere le seguenti avvertenze prima di utilizzare il prodotto.

- Questo prodotto è pericoloso se utilizzato in maniera impropria o se non si presta attenzione. La mancata osservanza delle istruzioni di sicurezza può causare lesioni anche fatali.
- Durante il funzionamento, questo prodotto genera un campo elettromagnetico. Tale campo può interferire, in alcuni casi, con persone portatrici di impianti medici attivi o passivi. Per ridurre il rischio di condizioni che possono implicare lesioni gravi o mortali, i portatori di tali impianti devono consultare il proprio medico e il produttore dell'impianto prima di utilizzare questo prodotto.
- Usare la massima cautela e il buon senso. Se non si è sicuri di come utilizzare il prodotto in una particolare situazione, fermarsi e rivolgersi al proprio rivenditore Husqvarna prima di continuare.
- Tenere presente che l'operatore potrà essere ritenuto responsabile di eventuali incidenti che coinvolgano altre persone o i loro beni.
- Tenere pulito il prodotto. Assicurarsi che sia possibile leggere chiaramente simboli e decalcomanie.
- Non consentire mai l'uso dell'apparecchio a bambini o persone che non conoscono le presenti istruzioni. Alcune normative locali possono limitare l'età dell'operatore.
- Controllare sempre qualsiasi persona, dalle capacità fisiche o mentali ridotte, che utilizzi il prodotto. È necessaria sempre la supervisione di un adulto responsabile.
- Non utilizzare il prodotto quando si è stanchi, ammalati o sotto effetto di alcool, farmaci o medicinali. Essi potrebbero compromettere la vista, l'attenzione, il coordinamento e il giudizio.
- Non utilizzare il prodotto se danneggiato o se non funziona correttamente.
- Non modificare il prodotto né utilizzarlo nel caso in cui vi sia la possibilità che sia stato modificato da altri.

Sicurezza sul lavoro



AVVERTENZA: Leggere le seguenti avvertenze prima di utilizzare il prodotto.

- Usare sempre abbigliamento protettivo personale. Fare riferimento a *Dispositivi di protezione individuale alla pagina 179*.
- Assicurarsi di saper spegnere il motore rapidamente in caso di emergenza.

- Non utilizzare il prodotto con pioggia o umidità. Il rischio di scosse elettriche aumenta se l'acqua penetra nel prodotto.
- Collocarsi sempre posteriormente al prodotto quando lo si utilizza.
- Non sollevare mai il prodotto a motore avviato. Se è necessario sollevare il prodotto, arrestare prima di tutto il motore, poi rimuovere la batteria.
- Non camminare all'indietro quando si utilizza il prodotto.
- Arrestare il motore quando è necessario inclinare il prodotto per il trasporto o prima di spostarsi su aree senza erba, ad esempio percorsi di ghiaia, pietra e asfalto.
- Non correre con il prodotto quando il motore è acceso. Camminare sempre durante l'utilizzo del prodotto.
- Le vibrazioni nel prodotto durante il funzionamento possono essere diverse dal valore delle vibrazioni dichiarato in *Dati tecnici alla pagina 185*. La differenza è causata da variazioni del modo in cui viene utilizzato il prodotto. Se utilizzate il prodotto frequentemente o per lunghi periodi di tempo, fate regolarmente delle pause per evitare lesioni dovute alle vibrazioni.

Istruzioni di sicurezza per il funzionamento



AVVERTENZA: Leggere le seguenti avvertenze prima di utilizzare il prodotto.

- Se si è incerti riguardo a come procedere, rivolgersi a un esperto. Contattare il proprio rivenditore o l'officina di assistenza. Evitare qualsiasi lavoro per il quale non ci si sente sufficientemente qualificati.
- Accertarsi di poter camminare e lavorare in sicurezza. In caso di spostamenti, controllare che non vi siano ostacoli (ceppi, radici, rami, fossati ecc.). Fare particolare attenzione quando si lavora su terreni in pendenza.
- Mantenere una posizione stabile ed equilibrata in qualsiasi momento. Operare in sicurezza.
- Far sempre attenzione a segnali di allarme o eventuali grida quando si utilizzano le cuffie protettive. Togliere sempre le cuffie protettive immediatamente all'arresto del prodotto.
- Non utilizzare il prodotto vicino a finestre aperte.
- Rispettare l'ambiente circostante evitando di usare il prodotto a orari inadeguati, ad esempio la sera tardi o la mattina presto. Attenersi alle norme e alle ordinanze locali vigenti.
- Usare il prodotto con il minimo flusso d'aria possibile. Sono rari i casi in cui è necessario usare il flusso d'aria al massimo e molte operazioni possono essere eseguite con un flusso d'aria di media intensità. Un flusso d'aria più basso implica un minor livello di rumore e di polvere e consente

inoltre maggior controllo sul materiale da raccogliere/ spostare.

- In presenza di molta polvere, inumidire leggermente la superficie durante l'uso del prodotto.
- Usare un rastrello o una scopa per staccare dal suolo il materiale incastrato.
- Tenere la bocchetta del soffiatore il più possibile vicino al suolo.
- Prestare attenzione all'ambiente circostante. Dirigere il prodotto lontano da persone, animali, parchi-giochi, autovetture ecc.
- Ridurre al minimo il tempo di soffiatura inumidendo leggermente le aree polverose o utilizzando l'attrezzatura spray.
- Tenere in considerazione la direzione del vento. Evitare di lavorare controvento per alleggerire le operazioni.
- Spegnerne il prodotto e rimuovere la batteria se il prodotto comincia a vibrare in maniera anomala.
- Evitare di spostare masse voluminose con l'uso del soffiatore: è un'operazione lunga e inutilmente rumorosa.
- Ripulire la zona di lavoro dopo l'operazione. Accertarsi di non aver spinto parte del materiale in zone di proprietà privata.
- Non correre con il prodotto.
- Il flusso d'aria ha un'intensità in grado di spostare gli oggetti a una tale velocità da far sì che essi possano rimbalzare provocando gravi lesioni agli occhi.

(Fig. 16)

- Non rivolgere il flusso d'aria verso persone o animali.
- Spegnerne il motore prima di montare o smontare gli accessori o altri componenti.
- Tenere le parti del corpo lontano dalle superfici roventi.
- Non poggiare mai il prodotto a motore acceso se non lo si può tenere bene d'occhio.
- Non utilizzare il soffiatore su scale o ponteggi.

(Fig. 17)

- Non utilizzare il prodotto se non si è certi di poter chiedere aiuto in caso d'infortunio.
- Rischio di oggetti volanti. Si potrebbe venir colpiti a un occhio da un sasso, un ramo o altri oggetti sollevatisi dal terreno, con conseguenze anche molto gravi, quali cecità o altre lesioni.
- Impiegare un dispositivo salvavita (RCI) per maggiore sicurezza quando si ricarica il prodotto. In caso di guasto elettrico un dispositivo salvavita protegge la macchina.
- Questo prodotto è rinomato per il suo basso carico di vibrazioni. La sovraesposizione alle vibrazioni può causare lesioni neuro-vascolari a chi soffre di disturbi circolatori. In caso di sintomi riferibili a sovraesposizione alle vibrazioni, contattare il medico. Esempi di questi sintomi: intorpidimento, perdita di sensibilità, "formicolio", "torpore", dolore, mancanza di forza o riduzione delle forze normali,

alterazioni di colore o aspetto della pelle. Tali sintomi si riscontrano soprattutto alle mani, ai polsi e alle dita.

- Non utilizzare il prodotto per scopi diversi da quelli previsti.
- Non è possibile coprire tutte le situazioni immaginabili che potreste affrontare. Prestare sempre attenzione e usare il buon senso. Evitare tutte le situazioni che richiedono capacità superiori alle proprie. Se dopo aver letto le presenti istruzioni persistono dubbi sulle procedure operative, rivolgersi a un esperto prima di continuare.
- Usare sempre sia la mano destra/sinistra per tenere il prodotto. Tenere il prodotto lateralmente rispetto al corpo.

(Fig. 18)

Dispositivi di protezione individuale



AVVERTENZA: Leggere le seguenti avvertenze prima di utilizzare il prodotto.

- Usare sempre dispositivi di protezione individuale omologati quando si utilizza il prodotto. L'uso di dispositivi di protezione individuale non elimina il rischio di lesioni, ma ne riduce la gravità in caso di incidente. Farsi consigliare dal rivenditore per la scelta dell'attrezzatura adatta.
- Usare cuffie protettive omologate.

(Fig. 19)

- Utilizzare protezioni per gli occhi omologate. Con l'uso della visiera è necessario anche l'uso di occhiali protettivi omologati. Con il termine occhiali protettivi omologati si intendono occhiali che siano conformi alle norme ANSI Z87.1 per gli USA o EN 166 per i paesi EU.

(Fig. 20)

- Usare i guanti se necessario.

(Fig. 21)

- Usare stivali protettivi con calotta in acciaio e soles antiscivolo.

(Fig. 22)

- Indossare indumenti di tessuto resistente. Indossare sempre pantaloni lunghi e pesanti e maniche lunghe. Non indossare indumenti larghi che potrebbero impigliarsi nei ramoscelli e nei rami. Non utilizzare gioielli, pantaloni corti o sandali. Non rimanere a piedi nudi. Raccogliere i capelli in modo sicuro sopra le spalle.
- Tenere a portata di mano il kit di primo soccorso.

(Fig. 23)

Dispositivi di sicurezza sul prodotto



AVVERTENZA: Leggere le seguenti avvertenze prima di utilizzare il prodotto.

- In questo capitolo vengono presentati i dispositivi di sicurezza del prodotto, la loro funzione, il controllo e la manutenzione necessari per assicurarne una funzione ottimale. Vedere le istruzioni alla sezione *Panoramica del prodotto alla pagina 174* per localizzare questi dispositivi sul prodotto.
- La durata del prodotto può ridursi e il rischio di incidenti aumentare se la manutenzione non viene eseguita correttamente e se l'assistenza e/o le riparazioni non vengono effettuate da personale qualificato. Per ulteriori informazioni, contattare il rivenditore con assistenza più vicino.
- Non utilizzare mai un prodotto con dispositivi di sicurezza danneggiati. I dispositivi di sicurezza di sicurezza del prodotto vanno controllati e sottoposti a manutenzione secondo quanto descritto in questo capitolo. Se il prodotto non supera tutti i controlli, contattare un'officina per le necessarie riparazioni.
- Tutte le riparazioni e l'assistenza del prodotto vanno eseguite da personale specializzato. Quanto detto vale in particolare per i dispositivi di sicurezza del prodotto. Se il prodotto non supera tutti i controlli sottoelencati, contattare l'officina autorizzata. L'acquisto di uno dei nostri prodotti garantisce l'assistenza di personale qualificato. Se non avete acquistato il prodotto presso un rivenditore con centro di assistenza, informatevi sull'ubicazione della più vicina officina autorizzata.

Controllo della tastiera

1. Tenere premuto il pulsante ON/OFF (A) finché la spia dell'alimentazione (B) non si accende. (Fig. 24)
2. Fare riferimento a *Ricerca guasti alla pagina 184* se la spia di avvertenza (C) si accende o lampeggia.

Controllare la leva di comando

- Premere e rilasciare la leva di comando per verificare che si muova liberamente. (Fig. 25)

Sicurezza batterie



AVVERTENZA: Leggere le seguenti avvertenze prima di utilizzare il prodotto.

- La batteria consigliata è 40-B series. Le batterie sono codificate mediante software.
- Utilizzare le batterie 40-B series ricaricabili come alimentazione esclusivamente per i prodotti Husqvarna in questione. Per evitare il rischio di lesioni, non utilizzare la batteria come fonte di alimentazione per altri dispositivi.

- Rischio di scosse elettriche. Non collegare i morsetti della batteria a chiavi, viti o altro tipo di metallo. Ciò può causare un corto circuito della batteria.
- Non utilizzare batterie non ricaricabili.
- Non inserire oggetti nelle feritoie di aerazione della batteria.
- Tenere la batteria lontano dalla luce del sole, dal calore o da fiamme libere. La batteria può causare bruciature e/o ustioni chimiche.
- Tenere la batteria lontano da pioggia e umidità.
- Tenere la batteria lontano da microonde e alta pressione.
- Non tentare di smontare o rompere la batteria.
- Evitare il contatto cutaneo con l'acido della batteria. L'acido della batteria provoca lesioni alla pelle, corrosione e ustioni. In caso di contatto degli occhi con l'acido della batteria, non strofinare, ma sciacquare gli occhi con acqua abbondante per almeno 15 minuti. Se l'acido della batteria viene a contatto con la pelle, lavare la cute con abbondante acqua e sapone. Consultare un medico.
- Utilizzare la batteria a temperature comprese tra -10 °C (14 °F) e 40 °C (104 °F).
- Non pulire la batteria o il caricabatterie con acqua. Fare riferimento a *Per pulire il prodotto, la batteria e il caricabatterie alla pagina 183.*
- Non utilizzare un prodotto danneggiato.
- Conservare le batterie lontano da oggetti metallici, come ad esempio chiodi, viti o gioielli.
- Tenere la batteria fuori dalla portata dei bambini.

Sicurezza dei caricabatterie



AVVERTENZA: Leggere le seguenti avvertenze prima di utilizzare il prodotto.

- Rischio di scosse elettriche o cortocircuiti se non si osservano le istruzioni di sicurezza.
- Non utilizzare un caricabatterie diverso da quello fornito per il prodotto. Utilizzare solo i caricabatterie 40-C80 per ricaricare le serie di batterie sostitutive 40-B.
- Non tentare di smontare il caricabatterie.
- Non utilizzare un caricabatterie danneggiato o che non funzioni correttamente.
- Non sollevare il caricabatterie tramite il cavo di alimentazione. Per scollegare il caricabatterie da una presa di rete, tirare la spina. Non tirare il cavo di alimentazione.
- Tenere tutti i cavi e le prolunghe lontani da acqua, olio e bordi affilati. Fare attenzione affinché il cavo non si incastri in oggetti come, ad esempio, porte, recinti o simili.
- Non utilizzare il caricabatterie in prossimità di materiali infiammabili o materiali corrosivi. Accertarsi

che il caricabatterie non sia coperto. Staccare la spina del caricabatterie in caso di fumo o incendio.

- Caricare la batteria solo in luoghi chiusi, in una posizione con un buon flusso d'aria e lontano dalla luce diretta del sole. Non caricare la batteria all'aperto. Non caricare la batteria in condizioni di umidità.
- Utilizzare esclusivamente il caricabatterie a temperature comprese tra 5 °C (41 °F) e 40 °C (104 °F). Utilizzare il caricabatterie in un ambiente con adeguato flusso d'aria, asciutto e privo di polvere.
- Non inserire oggetti nelle feritoie di raffreddamento del caricabatterie.
- Non collegare i terminali del caricabatterie a oggetti metallici, poiché si potrebbe provocare un cortocircuito del caricabatterie.
- Utilizzare prese di rete omologate che non siano danneggiate. Accertarsi che il cavo di alimentazione del caricabatterie non sia danneggiato. Se si utilizzano cavi di prolunga, accertarsi che questi non siano danneggiati.
- Non caricare batterie non ricaricabili nei caricabatterie.

Istruzioni di sicurezza per la manutenzione



AVVERTENZA: Leggere le seguenti avvertenze prima di eseguire la manutenzione del prodotto.

- Rimuovere la batteria prima di eseguire la manutenzione, altri controlli o montare il prodotto.
- L'operatore deve eseguire solo gli interventi di manutenzione e assistenza indicati in questo manuale operatore. Rivolgersi al Centro di assistenza di competenza per interventi di manutenzione e assistenza più importanti.
- Non pulire la batteria o il caricabatterie con acqua. Detergenti aggressivi possono causare danni alla plastica.
- Se non si esegue la manutenzione, si riduce il ciclo di vita del prodotto e aumenta il rischio di incidenti.
- È necessaria una formazione specifica per eseguire tutti gli interventi di manutenzione e lavori di riparazione, in particolare per i dispositivi di sicurezza del prodotto. Se non vengono approvati tutti i controlli descritti nel presente manuale operatore, dopo aver eseguito la manutenzione, contattare il Centro di assistenza. La nostra azienda garantisce la disponibilità di personale qualificato per le riparazioni e l'assistenza del prodotto.
- Utilizzare unicamente ricambi originali.

Montaggio

Introduzione



AVVERTENZA: Leggere e comprendere il capitolo sulla sicurezza prima di montare il prodotto.

1. Installare il caricabatterie alla parete con le 2 viti (A). Se necessario, utilizzare tasselli per parete (B). (Fig. 27)
2. Installare i 2 tappi per fori viti (C).
3. Collegare il cavo di alimentazione (D) al caricabatterie e a una presa a muro.

Installazione dell'ugello

1. Posizionare l'ugello sull'estremità anteriore del prodotto. (Fig. 26)
2. Inserire l'ugello finché non si sente uno scatto.

Installazione del caricabatterie 40-C80 alla parete



ATTENZIONE: Non utilizzare un cacciavite elettrico per installare il caricabatterie sulla parete. Un cacciavite elettrico può danneggiare il caricabatterie.

Utilizzo

Introduzione



AVVERTENZA: Leggere e comprendere il capitolo sulla sicurezza prima di utilizzare la macchina.

sulla sicurezza. È inoltre importante leggere e comprendere il manuale operatore della batteria e del caricabatterie.

Verifica della funzionalità del prodotto prima del suo utilizzo

1. Controllare se la presa d'aria è sporca o presenta incrinature. Utilizzare una spazzola e rimuovere l'erba e il fogliame dal prodotto. Fare riferimento a *Controllo della presa d'aria alla pagina 183*.
2. Assicurarsi che il prodotto funzioni correttamente.
3. Controllare tutti i dadi e le viti e assicurarsi che siano serrati.

Mantenere la batteria e il caricabatteria a una temperatura ambiente adeguata.

	Temperatura ambiente
Funzionamento del prodotto	-5 °C – 40 °C / 23 °F - 104 °F
Caricamento della batteria	5 °C – 40 °C / 41 °F - 104 °F

Batteria



AVVERTENZA: Prima di utilizzare la batteria, leggere e comprendere il capitolo

LED della batteria

Il display mostra lo stato di carica e se sussistono problemi con la batteria. (Fig. 28)

Spia LED	Stato della batteria (stato di carica)
	40-B140
4 LED sono accesi	La batteria è carica al 76% - 100%.
3 LED sono accesi	La batteria è carica al 51% - 75%.

Spia LED	Stato della batteria (stato di carica)
2 LED sono accesi	La batteria è carica al 26% - 50%.
1 LED è acceso	La batteria è carica al 6% - 25%.
1 LED lampeggia	La batteria è carica al 0% - 5%.

Ricarica della batteria

È necessario caricare la batteria prima di utilizzarla per la prima volta. Una batteria nuova è carica solo al 30 %.



ATTENZIONE: Collegare il caricabatterie a una presa di corrente con la tensione e la frequenza indicate sulla targhetta dati di funzionamento.

La batteria non si carica se la sua temperatura è superiore a 50 °C/122 °F.

1. Collegare il cavo di alimentazione al caricabatterie.
2. Collegare il caricabatterie a una presa di corrente con messa a terra. Il LED di carica lampeggia una volta. (Fig. 29)
3. Collegare la batteria al caricabatterie. Il LED di carica si accende. Caricare la batteria per massimo 24 ore. (Fig. 30)
4. Premere il pulsante della spia della batteria; se tutte le spie LED si accendono, la batteria è completamente carica.
5. Estrarre la spina di alimentazione per scollegare il caricabatterie dalla presa di corrente. Non tirare il cavo di alimentazione.
6. Rimuovere la batteria dal caricabatterie.

Collegamento della batteria al prodotto



AVVERTENZA: Utilizzare solo la batteria Husqvarna raccomandata per il prodotto.

Manutenzione

Introduzione



AVVERTENZA: Prima di eseguire qualsiasi lavoro di manutenzione, è necessario leggere e capire il capitolo relativo alla sicurezza.

Programma di manutenzione



AVVERTENZA: Rimuovere la batteria prima di eseguire la manutenzione.

Qui di seguito è disponibile una lista delle operazioni di manutenzione da eseguire sul prodotto.

1. Verificare che la batteria sia completamente carica.
2. Inserire la batteria nel relativo supporto finché non si avverte uno scatto. La batteria deve muoversi facilmente. In caso contrario, non è installata correttamente. (Fig. 31)

Avviamento del prodotto

1. Tenere premuto il pulsante d'avvio fino all'accensione del LED verde. (Fig. 32)
2. Usare la leva di comando per azionare il prodotto.

Per impostare il flusso d'aria ottimale per il lavoro da svolgere

- Premere il pulsante di controllo della velocità per impostare il flusso d'aria. Sono disponibili 3 livelli di flusso d'aria. (Fig. 33)

Arresto del prodotto

1. Rilasciare la leva di comando.
2. Tenere premuto il pulsante di alimentazione finché il LED verde non si spegne.
3. Premere il pulsante di rilascio ed estrarre la batteria. (Fig. 34)

Funzione di arresto automatico

Il prodotto dispone di una funzione di arresto automatico che lo blocca in caso di mancato utilizzo. La spia LED verde di alimentazione si spegne e il prodotto si ferma per 3 minuti.

Manutenzione	Giornaliera	Una volta a settimana	Una volta al mese
Pulire il prodotto con un panno pulito e asciutto. Non utilizzare acqua.	X		
Accertarsi che le impugnature siano asciutte e pulite.	X		
Controllare il tastierino.	X		
Controllare la leva di comando.	X		
Accertarsi che i dadi e le viti siano serrati.	X		
Verificare che la batteria non sia danneggiata.	X		
Controllare la carica della batteria.	X		
Verificare che i pulsanti di rilascio sulla batteria non siano danneggiati e che tengano la batteria bloccata all'interno del prodotto.	X		
Verificare che il caricabatterie non sia danneggiato.	X		
Accertarsi che tutti gli accoppiamenti, i raccordi e i cavi siano puliti e non danneggiati.		X	
Controllare i collegamenti sulla batteria, sul caricabatterie e sul prodotto.			X

Controllo della presa d'aria

1. Accertarsi che non siano presenti ostruzioni nella presa d'aria. (Fig. 35)
2. Spegnerne il prodotto e rimuovere il materiale superfluo se è necessario.



ATTENZIONE: Una presa d'aria ostruita riduce la capacità di soffiaggio del prodotto e aumenta la temperatura di lavoro del motore. Ciò può provocare un guasto al motore a causa del surriscaldamento dello stesso.

Controllo della batteria e del caricabatterie

1. Controllare se la batteria presenta danni, ad esempio incrinature.

2. Controllare se il caricabatterie presenta danni, ad esempio incrinature.
3. Verificare che il cavo di collegamento del caricabatterie non sia danneggiato e che non presenti crepe.

Per pulire il prodotto, la batteria e il caricabatterie

1. Pulire il prodotto con un panno asciutto dopo l'uso.
2. Pulire la batteria e il caricabatterie con un panno asciutto. Mantenere puliti i binari guida della batteria.
3. Assicurarsi che i morsetti della batteria e il caricabatterie siano puliti prima di posizionare la batteria nel caricabatterie o nel prodotto.

Ricerca guasti

Tastierino

Schermo LED	Possibili guasti	Soluzioni possibili
Il LED rosso di errore lampeggia	Deviazione di temperatura.	Lasciare che il prodotto si raffreddi.
	Sporcizia nei connettori della batteria o ventola bloccata.	Pulire con aria compressa o con una spazzola morbida.
	La batteria è scarica.	Caricare la batteria.
	La batteria è danneggiata.	Consultare un rappresentante dell'officina.

Batteria

Schermo LED	Possibili guasti	Soluzioni possibili
La spia LED verde lampeggia.	La tensione della batteria è bassa.	Caricare la batteria.
La spia LED di errore lampeggia.	Deviazione di temperatura.	Utilizzare la batteria a una temperatura compresa tra -5 °C - 40 °C / 23 °F - 104 °F.
	Tensione troppo alta.	Accertarsi che la tensione di rete corrisponda a quella indicata sulla targhetta dati di funzionamento del prodotto. Rimuovere la batteria dal caricabatterie.
La spia LED di errore è accesa.	Differenza troppo elevata nella cella (1 V).	Contattare il centro di assistenza.

Caricabatterie

Schermo LED	Possibili guasti	Soluzioni possibili
La spia a LED di ricarica è rossa fissa.	Il caricabatterie è danneggiato.	Contattare il centro di assistenza.
La spia LED di ricarica lampeggia in verde.	La temperatura della batteria non rientra nell'intervallo di carica.	Lasciare raffreddare la batteria o riscaldarla. Quando la batteria ha la temperatura corretta, può essere usata o caricata di nuovo. Utilizzare il caricabatterie a temperature ambiente comprese tra 5 °C - 40 °C / 41 °F - 104 °F.
La spia LED di ricarica lampeggia in rosso.	La batteria è danneggiata.	Contattare il centro di assistenza.

Trasporto, stoccaggio e smaltimento

Trasporto e stoccaggio

- Le batterie agli ioni di litio in dotazione rispettano i requisiti di legge sulle merci pericolose.
- Rispettare i requisiti speciali riportati sulla confezione e sulle etichette per il trasporto commerciale, compreso quello effettuato da terzi e da corrieri.
- Parlare con personale che ha seguito una formazione specifica in materiali pericolosi prima di inviare il prodotto. Rispettare tutte le norme nazionali vigenti.
- Quando si inserisce la batteria in un contenitore, applicare del nastro adesivo sui contatti aperti. Inserire la batteria nel contenitore in modo da garantirne la massima aderenza.
- Rimuovere la batteria per la conservazione o il trasporto.
- Conservare la batteria e il caricabatterie in un luogo asciutto, privo di umidità e protetto dal gelo.
- Non conservare la batteria in aree elettricamente statiche. Non conservare mai la batteria in una scatola di metallo.
- Durante il rimessaggio, conservare la batteria in un luogo dove la temperatura è compresa tra 5°C / 41°F and 25°C / 77°F e lontano da luce solare.
- Durante il rimessaggio, conservare il caricabatterie in un luogo dove la temperatura è compresa tra 5 °C/41 °F and 45°C/113°F e lontano da luce solare.
- Utilizzare il caricabatterie esclusivamente quando la temperatura circostante è compresa tra 5 °C – 40 °C / 41 °F - 104 °F.

- Caricare la batteria dal 30% al 50% prima di immagazzinarla per lunghi periodi.
- Stoccare il prodotto a una temperatura compresa fra -40 °C/-40 °F e 60 °C/140 °F
- Conservare il caricabatterie in un luogo chiuso e asciutto.
- Tenere la batteria lontano dal caricabatterie durante il rimessaggio. Non lasciare che i bambini e altre persone non autorizzate tocchino l'attrezzatura. Mantenere le attrezzature in un luogo che è possibile chiudere.
- Pulire il prodotto ed eseguire una manutenzione completa prima di conservarlo per lunghi periodi.
- Bloccare il prodotto in modo sicuro durante il trasporto.

Smaltimento della batteria, del caricabatterie e del prodotto

I simboli sul prodotto o sull'imballaggio indicano che il presente prodotto non è rifiuto domestico. Riciclarlo in una stazione di riciclaggio per apparecchiature elettriche ed elettroniche. Ciò contribuisce ad evitare danni all'ambiente e alle persone.

Contattare le autorità locali, il servizio per i rifiuti domestici o il rivenditore per ulteriori informazioni su come riciclare il prodotto.

Dati tecnici

Dati tecnici

	122iB
Motore	
Tipo di motore	PMDC
Peso	
Peso senza batteria, kg	1,9
Emissioni di rumore, livelli acustici, ^{37 38}	
Livello di potenza acustica, misurato dB(A)	92,2

³⁷ Le emissioni di rumore nell'ambiente misurate come potenza sonora (L_{WA}) in conformità con la direttiva CE 2000/14/CE, hanno una dispersione statistica tipica (deviazione standard) di 1,0 dB (A).

³⁸ I dati riportati per il livello di pressione acustica equivalente del macchinario hanno una dispersione statistica tipica (deviazione standard) di 1,3 dB (A).

	122iB
Livello acustico, garantito L_{WA} dB(A)	93
Livello di pressione acustica equivalente rispetto all'udito dell'operatore, misurato in base alle norme EN ISO 62841-4-6 e ISO 22868, dB(A):	82,8
Livelli di vibrazioni ³⁹	
Livelli di vibrazioni delle impugnature, misurati in base alla norma EN IEC 62841-4-6, m/s^2	1,13
Prestazioni della ventola	
Portata volumetrica di picco, m^3/h	865
Velocità teorica di picco, m/s	53
Forza di soffiaggio, N	11

I dati sul rumore e le vibrazioni sono determinati sulla base del regime di potenza massima.

Nota: Il valore totale dichiarato relativo alle vibrazioni e alle emissioni di rumore è stato misurato secondo metodi di verifica standard e può essere utilizzato per confrontare un utensile con un altro.

Nota: I valori totali delle vibrazioni dichiarati e i valori delle emissioni di rumore possono anche

essere utilizzati per una valutazione preliminare dell'esposizione.

Nota: La produzione di vibrazioni e rumore durante l'utilizzo del prodotto può essere differente dal valore totale dichiarato, a seconda delle modalità di impiego del prodotto. È necessario identificare le misure di sicurezza per proteggere l'operatore, in base a una stima dell'esposizione nelle effettive condizioni d'uso. Includere nella stima tutte le parti del ciclo di funzionamento, ad esempio i tempi in cui il prodotto è spento e quando è inattivo, oltre al tempo di attivazione.

Batterie approvate per il prodotto

Batteria	40-B140
Tipo	Ioni di litio
Capacità batteria, Ah	Fare riferimento alla decalcomania dei valori nominali della batteria
Tensione nominale, V	36
Peso, kg/lb	1,25/2,76

Caricabatterie omologati

Caricabatterie	40-C80
Tensione di entrata, V	100-240
Frequenza, Hz	50-60
Potenza, W	72

³⁹ I dati riportati per il livello di vibrazioni presentano una dispersione statistica tipica (deviazione standard) di 1,5 m/s^2 .

Caricabatterie	40-C80
Tensione di uscita, V d.c / Amp, A	43 / 1,6

Dichiarazione di conformità

Dichiarazione di conformità UE

Husqvarna AB, SE-561 82 Huskvarna, SVEZIA, tel:
+46-36-146500, dichiara sotto la propria esclusiva
responsabilità che il prodotto indicato:

Descrizione	Soffiatore portatile a batteria
Marchio	Husqvarna
Tipo/Modello	122iB
Identificazione	Numeri di serie a partire da 2025 e successivi

in conformità alle seguenti direttive e normative UE e
successive modifiche:

Regolamento	Descrizione
2006/42/CE	"sulle macchine"
2014/30/UE	"sulla compatibilità elettromagnetica"
2011/65/UE	"sulle restrizioni dell'uso di determinate sostanze pericolose nelle apparecchiature elettriche ed elettroniche"
2000/14/CE	"sull'emissione di rumore nell'ambiente"

e che sono applicati gli standard e/o le specifiche
tecniche seguenti: EN 62841-1:2015/A11:2022, EN IEC
62841-4-6:2024/A11:2024, EN IEC 63000:2018
EN IEC 55014-1:2021, EN IEC 55014-2:2021

In conformità alla direttiva 2000/14/CE, allegato V, fare
riferimento a *Dati tecnici alla pagina 185* per i livelli
sonori dichiarati.

Huskvarna, 2025-11-03

Claes Losdal, Responsabile ricerca e sviluppo,
Husqvarna AB

Responsabile della documentazione tecnica



目次

はじめに.....	189	トラブルシューティング.....	197
安全性.....	190	搬送、保管、廃棄.....	198
組立.....	195	主要諸元.....	199
Operation (操作).....	195	適合宣言.....	201
メンテナンス.....	196		

はじめに

製品の概要

(図 1)

1. ブロワノズル
2. ブロワノズルのリリースボタン
3. キーパッド
4. パワートリガー
5. ハンドル
6. 電源 ON/OFF ボタン
7. 電源インジケータ
8. 警告インジケータエラー LED
9. 速度制御ボタン
10. サポート
11. バッテリーインジケータボタン
12. バッテリーステータス
13. バッテリー警告インジケータ
14. バッテリーリリースボタン
15. バッテリー
16. 電源オン / 警告インジケータ
17. コネクター
18. バッテリー充電器 40-C80
19. 取扱説明書

製品の説明

Husqvarna 122iB は電動モーター搭載型のブロワモデルです。

用途

本製品は、住宅や庭園でのあらゆる吹き飛ばし作業や一般的な清掃作業向けの、信頼性が高く使いやすい手持ち式ブロワです。

製品に表記されるシンボルマーク

- (図 2) 警告：本製品の使用は危険を伴います。操作者や付近にいる人が重傷を負う、または死亡するおそれがあります。十分に注意し、本製品を正しく使用してください。
- (図 3) 本取扱説明書をよくお読みになり、内容をしっかりと把握したうえで、本製品を使用してください。
- (図 4) 認可された防護メガネを使用してください。
- (図 5) 警告 - そばに人がいないようにしてください。
- (図 6) 雨が当たらないようにしてください。

(図 7) 環境に対する騒音レベルは EU 指令および規制、ニューサウスウェールズ法規「Protection of the Environment Operations (Noise Control) Regulation 2017」に準拠しています。本製品の保証音響レベルは、**主要諸元 199** ページおよびラベルに記載されています。

(図 8) 本製品や本製品のパッケージは、一般廃棄物ではありません。電気・電子機器のリサイクル業者にリサイクルを依頼してください。

(図 9) 本製品は EC 指令適合製品です。

(図 10) 定格電圧、V

(図 11) 直流。

yyyy wwxxxx シリアル番号は銘板に記載されています。yyyy は製造年、ww は製造週、xxxx は通し番号です。

注記：本製品に付いている他のシンボル / 銘板はそれぞれの市場地域に向けた特別な認定条件を示します。

バッテリーやバッテリー充電器のシンボルマーク

- (図 12) 安全装置付き変圧器。
- (図 13) バッテリー充電器は屋内でのみ使用、保管してください。
- (図 14) 二重絶縁。
- (図 15) 電気・電子機器のリサイクル業者にリサイクルを依頼してください。(ヨーロッパのみ適用)

製品の損傷

以下の場合、当社は製品の損傷について責任を負いません。

- 本製品が誤って修理された場合。
- メーカーによるものではない部品、またはメーカーの認可していない部品を使用して本製品を修理した場合。

- メーカーによるものではないアクセサリ、またはメーカーの認可していないアクセサリを本製品に使用した場合。
- 認定サービスセンターまたは認定販売店で本製品が修理されていない場合。

メーカー

Husqvarna AB

Drottninggatan 2, SE-561 82 Huskvarna

安全性

安全性の定義

警告、注意、注記は、取扱説明書の特に重要な部分を示しています。



警告： 取扱説明書の指示に従わない場合、使用者が負傷したり、死亡したりするが、あるいは付近の人に損傷を与える危険があることを意味します。



注意： 取扱説明書の指示に従わない場合、製品や他の物品、または隣接するエリアに損傷を与える危険があることを意味します。

注記： 特定の状況で必要とされる詳細情報を提供するために使用されます。

機器に関する一般的な安全上の警告



警告： 機器に付属する安全上の警告、注意事項、図、仕様をすべてお読みください。下記のすべての指示に従わない場合、感電、火災、重大な人身傷害につながるおそれがあります。

すべての警告や指示は、後で参照するために保管してください。

注記： 警告における「機器」とは、電源で動作する（コード付）機器またはバッテリー駆動（コードレス）の機器を指します。

作業エリアの安全

- 作業場所を清潔に、照明を明るく保ってください。雑然とした場所や暗い場所では事故が起こりやすくなります。
- 可燃性液体や可燃性気体、粉塵のある場所など、爆発性雰囲気の中で機器を動作させないでください。機器は、粉塵やガスを発火させる火花を発生することがあります。
- 機器の操作中は子供や周囲の人から十分な距離をとってください。注意が散漫になって、操作ミスを引き起こす可能性があります。

電気保安

- 機器のプラグはコンセントに適合している必要があります。決してプラグを改造しないでください。ア

ダプタープラグを、アース付きの（接地された）機器で使用しないでください。改造されていないプラグおよび型の同じコンセントを使用することで、感電のリスクが低くなります。

- パイプやラジエータ、レンジ、冷蔵庫など、アースの付いた表面または接地された表面に触れないようにしてください。身体がアースまたは接地されていると、感電リスクが高くなります。
- 機器を雨露や湿潤な環境にさらさないでください。機器に水が入ると、感電リスクが高まります。
- コードを本来の目的以外に使用しないでください。コードを持って機器を移動したり、引っ張ったり、電源を抜いたりしないでください。熱やオイル、とがった先端や可動部品にコードを近づけないでください。コードが損傷したり絡まると、感電リスクが高くなります。
- 屋外で機器を操作する場合は、屋外での使用に適した延長コードを使用してください。屋外での使用に適したコードを使用することで、感電の危険性は少なくなります。
- 湿気のある場所で機器を使用しなければならない場合は、電源を保護するために漏電遮断器（RCD）を使用してください。RCDの使用により、感電リスクが低減します。

個人の安全

- 機器を使用するときは、十分に気をつけて慎重に行動し、常識に従ってください。疲労時、医薬品やアルコールの影響が残っている状態で機器を使用しないでください。機器の操作中の瞬間の不注意が重大な人身傷害につながるおそれがあります。
- 身体保護具を使用してください。必ず防護メガネを着用してください。防塵マスクや滑り止め用の安全靴、ヘルメット、イヤマフなどのプロテクティブ装具を使用すると、負傷の危険性が少なくなります。
- 予期せぬ始動を防止してください。電源やバッテリーパックを接続する場合、または機器を持ち運ぶ場合は、必ずスイッチが OFF 位置であることを確認してください。スイッチに指を置いて機器を運んだり、機器のスイッチが入った状態で給電したりすると、事故につながります。
- 機器の電源を入れる前に、調整キーやレンチを外してください。機器の回転部品にレンチやキーが取り付けられたままになっていると、負傷の原因になります。
- 無理な体勢で作業しないでください。常に、安定した足場とバランスを保つようにしてください。これにより、想定外の事態でも機器を安定して制御することができます。
- 適切な服装を心がけてください。ゆるったりした衣服や装身具を身につけないでください。可動部品に髪

の毛や衣服を近づけないでください。ゆったりした衣服や装身具、長髪は可動部品に絡まるおそれがあります。

- ・ 集塵装置の接続用装備が提供されている場合、それらが接続されて正しく使用されているか確認してください。集塵装置を使用すると、塵に関連する危険を回避できます。
- ・ 機器を頻繁に使用し慣れることで、安全に無関心になり、安全上の注意事項を無視しないでください。不注意な行動により、一瞬で重大な人身事故が発生するおそれがあります。

機器の使用と手入れ

- ・ 機器に無理な力を加えないでください。用途に合った適切な機器を使用してください。適切な機器を使用することで、設計された速度でより良く安全に作業を行えます。
- ・ スイッチが機能しない場合は機器を使用しないでください。スイッチで制御できない機器は危険なため、修理する必要があります。
- ・ 機器の調整、アクセサリーの交換、機器の保管時は、電源プラグを外すが、機器からバッテリーパックを取り外してください（着脱可能な場合）。予防的な安全対策を行うことで、誤って機器を始動させる危険性が低下します。
- ・ 使用していない機器は子供の手の届かない所に保管して、機器や機器の取り扱い方法に詳しくない人が操作しないようにしてください。不慣れたユーザーが機器を扱うと危険です。
- ・ 機器とアクセサリーをメンテナンスしてください。可動部品の誤調整や巻き付き、部品の破損、その他、機器の動作に影響する状態がないか確認します。機器が損傷している場合は、修理してから使用してください。多くの事故は、機器のメンテナンス不良によって発生します。
- ・ カutting装置は鋭利な状態で清潔に保ちます。正しくメンテナンスされ、鋭利に保たれたカutting装置は、挟み込みも少なく、制御が容易です。
- ・ 機器、アクセサリー、ビットなどは、作業条件と作業内容を考慮し、取扱説明書に従って使用してください。想定された用途と異なる作業に機器を使用すると、危険な状況を招くおそれがあります。
- ・ ハンドル部および保持面は乾燥させて、オイルやグリースが付着しないようにきれいな状態を保ってください。ハンドルと保持面が滑りやすいと、想定外の状況下で機器の安全な取り扱いや制御ができません。

バッテリー機器の使用と手入れ

- ・ メーカー指定の充電器のみを使って充電してください。1種類のバッテリーパックのみに適合する充電器は、それ以外のバッテリーパックの充電で使用した場合は、火災を起こす恐れがあります。
- ・ 機器には、指定された専用バッテリーパックのみを使用してください。それ以外のバッテリーパックを使用すると、怪我や火災を招く危険があります。
- ・ バッテリーパックを使用しないときは、ペーパーリップ、コイン、キー、爪きり、ネジなどの金物、あるいは端子間を短絡するおそれがある他の小さな

金物から遠ざけるようにしてください。バッテリー端子の短絡は、火傷や火災を引き起こす恐れがあります。

- ・ 劣悪な環境では、液体がバッテリーから漏れ出すことがあります。そのような場合、液体には触れないようご注意ください。もし万が一誤って触れてしまった場合、水で洗い流してください。液体が目に入ってしまった場合、医師の診察を受けてください。バッテリーから漏れ出した液体は、炎症や火傷を引き起こすことがあります。
- ・ 損傷した、または改造されたバッテリーパックや機器を使用しないでください。損傷した、または改造されたバッテリーは、予測不可能な挙動を起こし、発火や破裂、障害の原因となる可能性があります。
- ・ バッテリーパックや機器を裸火や高温にさらさないでください。火または 130 °C (265 °F) を超える温度環境にさらすと爆発する恐れがあります。
- ・ すべての充電手順に従ってください。指定された温度範囲外でバッテリーパックまたは機器を充電しないでください。充電を不適切に行ったり、指定された範囲から外れた温度環境で行ったりした場合、バッテリーの損傷や火災発生の危険の増加につながる場合があります。

サービス

- ・ 機器のサービスは、資格のある修理担当者が、同一の交換部品を使用して行ってください。そうすることで、機器の安全性が維持されます。
- ・ 損傷したバッテリーパックを決して修理しようとしないでください。バッテリーパックの修理は、製造元または認定サービス代理店しか行えません。

ガーデンプロワに関する安全上の警告

- ・ 特に雷が発生するおそれがある場合など、悪天候時にガーデンプロワを使用しないでください。これは、落雷の危険を避けるためです。
- ・ 防護メガネを着用してください。適切な身体保護具によって負傷を減少させることができます。
- ・ ガーデンプロワを使用する際は、必ず滑り止め付きの保護靴を着用してください。裸足またはつま先の開いたサンダルで、ガーデンプロワを使用しないでください。これにより、足を負傷するリスクが低減されます。
- ・ ゆったりした衣服を着用したり、スカーフ、ひも、チェーン、ネクタイなどの装飾品を身に付けてたりしないでください。吸気口に吸い込まれるおそれがあります。長い髪はまとめるカカパーで覆い、吸気口に吸い込まれないようにします。これらのもののいずれかが吸気口に吸い込まれると、負傷する危険が高まります。
- ・ ガーデンプロワの使用中は、人が近づかないようにしてください。異物の飛び散りにより、人身障害の危険が高まります。
- ・ プロワズルを人やベットの方向に向けたり、窓の方向に向けたりしないでください。異物を跳ね返らせる可能性のある木、自動車、壁などの固いものの近くで異物を吹き飛ばす場合は、特に注意してください。飛び散ったものにより、物品が損傷したり、負傷したりする危険が高まります。

- タバコ、マッチ、高温の灰など、燃えているものや煙が出ているものをブロフで吹き飛ばさないでください。これらの発火源により、火災発生の危険が高まる可能性があります。
- ファンがまだ動作しているときは、ファンに触れないでください。ガーデンブロフの電源を切り、ファンが停止してから、ファンにアクセスするために取り外す必要がある部品を取り外します。これにより、可動部品による負傷のリスクが低減されます。
- 詰まった異物を取り除いたり、ガーデンブロフを整備したりする際は、電源スイッチがオフになっていることを確認してください。詰まった異物を取り除いたり整備したりする際にガーデンブロフが予期せず作動すると、重傷につながるおそれがあります。

一般的な安全注意事項



警告： 本製品を使用する前に、以下の警告指示をお読みください。

- 本製品は、慎重かつ適切に使用しないと、危険な道具となります。安全注意事項に従わないと、負傷や死亡事故が発生するおそれがあります。
- 本製品では、運転中に電磁場が発生します。この電磁場は、ある条件下でアクティブ、またはパッシブな医療用インプラントに影響を及ぼすことがあります。深刻な傷害または致命傷の危険を避けるため、医療用インプラントを使用している方は、本製品を使用する前に主治医および医療用インプラントの製造元に相談することをお勧めします。
- 常に常識に基づいて注意して使用してください。特殊な状況での本製品の操作方法がわからない場合、作業を続ける前に本製品を停止して、Husqvarna 販売店までご連絡ください。
- 第三者やその所有物が事故に巻き込まれた場合、その責任は、作業者にあることを留意ください。
- 本製品は清潔に保ってください。標識やラベルがはっきりと読み取れるようにしてください。
- 子供や使用方法に習熟していない人に、本製品を使用させるしないでください。地域の規制によっては、使用者の年齢制限がある場合があります。
- 身体的、精神的にハンデを負った人が本製品を使用する場合は常に監視してください。責任を有する大人が常にそばにいる必要があります。
- 疲労時、疾病時、アルコールや医薬品の影響が残っているときは、本製品を使用しないでください。視力、注意力、動作、判断力に悪影響を与えます。
- 損傷した製品や正しく動作しない製品を使用しないでください。
- 本製品を改造しないでください。また、本製品が改造されている可能性がある場合は使用しないでください。

安全な作業



警告： 本製品を使用する前に、以下の警告指示をお読みください。

- 身体保護具を使用してください。参照： *身体保護具 193* ページ。
- 緊急時にモーターをすばやく停止する方法を必ず確認してください。
- 雨降りや湿潤な環境下で本製品を操作しないでください。本製品に水が入ると、感電の危険性が高まります。
- 本製品の操作時は、必ず製品の後ろに立ってください。
- モーターの作動中は、本製品を持ち上げないでください。本製品を持ち上げる場合は、モーターを停止し、バッテリーを取り外してください。
- 本製品を操作するときは、後方に歩かないでください。
- 搬送のために本製品を傾ける必要がある場合や、砂利、石、アスファルトの道など草のない場所を通過する前には、モーターを停止してください。
- モーターの作動中は、本製品を操作しながら走らないでください。本製品を操作するときは、必ず歩いでください。
- 動作中の本製品の振動は、 *主要諸元 199* ページの公称振動値とは異なる場合があります。これは製品の使用方法が異なることが理由です。本製品を頻繁に、または長期間使用する場合は、振動による負傷を防ぐために定期的に休憩を取ってください。

操作のための安全注意事項



警告： 本製品を使用する前に、以下の警告指示をお読みください。

- どうしてもい分不清らな状況になった場合は、専門家に問い合わせてください。販売店またはサービスワークショップに連絡してください。技能的に難しいと思える操作は行わないでください。
- 身体の動きが自由に取れ、足場が良いことを確認してください。とっさに身をかわさなければならない場合に邪魔になる物（木の根、岩、枝、溝など）が周囲にないか確認してください。斜面で作業する場合は、特に注意してください。
- 常にバランスを保ち、しっかりした足場を確保してください。無理な体勢で作業しないでください。
- イヤマフを着用している間は、警告信号や叫び声に気を付けてください。エンジンが停止したら、速やかにイヤマフを外してください。
- 開いた窓の近くで本製品を操作しないでください。
- 本製品の使用にあたっては、周囲の迷惑を考え、深夜や早朝など不適切な時間帯の使用は避けてください。使用する地域の規制と条例に従ってください。
- 本製品は、エアフローを可能な限り小さくして使用してください。最大のエアフローが必要になることはめったにありません。ほとんどの作業が半分のエアフローでできます。エアフローを小さくした場合、騒音と粉塵も少なく、また集めたごみの扱いが簡単になります。
- 粉塵の多い場所では、本製品の使用時に地面を少し湿らせてください。
- 熊手がほうきを使い、集めたごみを片付けます。

- ・ブロワの開口部を地面にできるだけ近づけます。
- ・周囲を良く見回します。人、動物、遊び場、車などには本製品を向けないようにしてください。
- ・埃っぽいエリアを軽く湿らせてたり、スプレー装置を使用したりすると、ブロワの時間を短縮できます。
- ・風の方向に気をつけてください。作業が楽になるように、風を利用してください。
- ・本製品が異常に振動し始めた場合は、停止してバッテリーを取り外してください。
- ・ブロワを使用し、たくさん集めたものを移動させると、時間がかかり、不必要な騒音を発生させることとなります。
- ・最後に片づけをします。よその庭にごみを吹き入れなかったか確認してください。
- ・本製品を持って走らないでください。
- ・強力な風力により物体を高速で動かすため、物体がはね返り、目に重傷を与えるおそれがあります。

(図 16)

- ・エアフローを人や動物に向けないでください。
- ・アクセサリや部品を着脱する前に、モーターを停止してください。
- ・体のあらゆる部分を高温表面から遠ざけてください。
- ・本品を作動したままにする場合は、必ずよく見える場所に置いてください。
- ・ブロワは、はしごまたは足場組みの上で使用してはいけません。

(図 17)

- ・事故のときに助けを求めることができない状況で、本製品を使用してはいけません。
- ・飛んでくる物に気をつけてください。石やごみなどが目当たり、失明や重傷の原因となるおそれがあります。
- ・製品充電時の安全性を高めるために漏電遮断器 (RCI) を使用してください。漏電遮断器は、電気障害が発生した場合に作業者を保護するためのものです。
- ・本製品は低振動荷重が特徴です。循環器系に障害のある人が振動を長期間受け続けると、循環器障害や神経障害を起こすことがあります。過度の振動を受け続けたために症状が現れた場合は、医師の診断を受けてください。症状にはしびれ、感覚麻痺、ピリピリ感、刺痛、痛み、脱力感、皮膚の色や状態の変化などがあります。これらの症状は通常、指や手、手首に現れます。
- ・本製品は意図された目的だけに使用してください。
- ・起こり得る状況をすべて予測し、対応することは不可能です。常に注意を払い、常識に適った使用方法で操作してください。使用者の能力範囲外であると思われる場合は、操作を行わないでください。これらの注意事項を読んだ後でも、不明点などがある場合は、使用を続けずに専門コンサルタントにご相談ください。
- ・必ず、右 / 左手で本製品を保持してください。身体の側面の本製品を保持してください。

(図 18)

身体保護具



警告： 本製品を使用する前に、以下の警告指示をお読みください。

- ・本製品を使用するときは、常に、認可された身体保護具を着用してください。身体保護具で怪我を完全に防止できるわけではありませんが、万が一事故が起こった場合、負傷の度合いを軽減することができます。適切な保護具の選択については、販売店にご相談ください。
- ・認可されたイヤマフを使用してください。

(図 19)

- ・認可された防護メガネを使用してください。バイザーを使用する場合は、認可された防護ゴーグルも使用する必要があります。認可された防護メガネは、米国の ANSI Z87.1 規格または EU 諸国の EN 166 に適合しなければなりません。

(図 20)

- ・必要に応じて、グローブを着用してください。

(図 21)

- ・つま先部がスチール製で、靴底が滑らない保護ブーツを着用してください。

(図 22)

- ・丈夫な素材でできた服を着用してください。常に厚手の長いズボンと長袖を着用してください。小枝や枝が引っかかるようなゆったりした衣服は身につけないでください。装身具、半ズボン、サンダルを着用しないでください。裸足では使用しないでください。安全のため、髪の毛は肩よりも上にまとめてください。
- ・救急器具を近くに準備してください。

(図 23)

本製品の安全装置



警告： 本製品を使用する前に、以下の警告指示をお読みください。

- ・この項では、本製品の安全機能とその目的、本機の正しい動作を確保するための点検とメンテナンスの方法について説明します。本製品の部品の位置については、製品の概要 189 ページを参照してください。
- ・本製品のメンテナンスを適切に行わなかったり、専門技術者が整備・修理を行わなかったりすると、本製品の寿命が短くなり、事故発生の危険性が増します。詳しくは、お近くのサービス代理店にお問い合わせください。
- ・安全装置が損傷している製品は決して使用しないでください。本項目の記載に従って、本製品の安全装置の点検、メンテナンスを行ってください。お持ちの製品がこれらの点検項目を一点でも満たさない場合は、お近くのサービス代理店に修理を依頼してください。

- 本製品に関するすべてのサービス、修理には、特別な研修が必須です。本製品の安全装置には、特に研修が必要です。本製品が下記の検査のいずれかで不合格になったときは、サービス代理店に連絡してください。弊社の製品を購入されると、専門的な修理とサービスの提供も保証されます。本製品を販売した小売店がサービス代理店ではない場合、最寄りのサービス代理店の住所を小売店にお尋ねください。

キーパッドの点検方法

- 電源インジケータ (B) が点灯するまで、ON/OFF ボタン (A) を長押しします。(図 24)
- 警告インジケータ (C) が点灯または点滅している場合は、「トラブルシューティング 197 ページ」を参照してください。

パワートリガーの点検

- パワートリガーを押して放し、トリガーが自由に動くことを確認します。(図 25)

バッテリーの安全



警告： 本製品を使用する前に、以下の警告指示をお読みください。

- 推奨されるバッテリーは 40-B series です。バッテリーはソフトウェアで暗号化されています。
- 関連する Husqvarna 製品の電源として再充電可能な 40-B series バッテリーのみを使用してください。負傷を防ぐため、このバッテリーを他の装置の電源として使用しないでください。
- 感電するおそれがあります。バッテリーの端子を鍵、ネジ、その他の金属に接触させないでください。バッテリーが短絡する原因になります。
- 再充電できないバッテリーは使用しないでください。
- バッテリーのエアスロットに物が入らないようにしてください。
- バッテリーは直射日光や熱、裸火から保護してください。バッテリーによりやけどや化学熱傷を負うおそれがあります。
- バッテリーは雨から遠ざけて、濡れない状態に維持してください。
- バッテリーはマイクロ波や高圧から保護してください。
- バッテリーを分解したり壊したりしないでください。
- バッテリー液が皮膚に触れないようにしてください。バッテリー液は、皮膚の負傷、荒れ、火傷の原因になります。目にバッテリー液が入った場合、目をこすらずに水で 15 分以上洗浄してください。バッテリー液が皮膚に触れた場合は、大量の水と石けんで皮膚を洗う必要があります。医師にご相談ください。
- バッテリーは -10 ~ 40 °C (14 ~ 104 °F) の温度で使用してください。
- バッテリーまたはバッテリー充電器は、水で洗浄しないでください。製品、バッテリー、およびバッテ

リー充電器の清掃方法 197 ページを参照してください。

- 損傷したバッテリーは使用しないでください。
- バッテリーはくぎ、ネジ、または宝飾品などの金属から離して保管してください。
- バッテリーは子供が近づけない場所に保管してください。

バッテリー充電器の安全性



警告： 本製品を使用する前に、以下の警告指示をお読みください。

- 安全注意事項を守らないと、感電や短絡の危険があります。
- 製品の付属品以外のバッテリー充電器は使用しないでください。40-B シリーズ交換バッテリーを充電するときは、40-C80 充電器のみを使用してください。
- バッテリー充電器を分解しないでください。
- 損傷したバッテリー充電器や正しく動作しないバッテリー充電器は使用しないでください。
- 電源コードを持ってバッテリー充電器を持ち上げないでください。主電源ソケットからバッテリー充電器を取り外す際は、プラグを引っ張ってください。電源コードを引っ張らないでください。
- すべてのケーブルと延長ケーブルが、水や油、または尖った物に接触しないようにしてください。ドア、フェンスなどの障害物の間に、ケーブルが挟まっていることを確認してください。
- 可燃性の物質や、腐食の原因となる物質の近くでは、バッテリー充電器を使用しないでください。バッテリー充電器の上に覆うものが何もないことを確認してください。煙や火災が発生した場合、バッテリー充電器の電源プラグをコンセントから引き抜いてください。
- バッテリーは、通気がよく直射日光が当たらない屋内でのみ充電してください。屋外でバッテリーを充電しないでください。濡れた状態でバッテリーを充電しないでください。
- バッテリー充電器は、温度が 5 ~ 40 °C (41 ~ 104 °F) の場所だけで使用してください。充電器は、通気がよく、埃がない、乾燥した環境で使用してください。
- バッテリー充電器の冷却スロットに物が入らないようにしてください。
- バッテリー充電器が短絡するため、充電器の端子を金属物体へ接触させないでください。
- 認可された、損傷していない壁コンセントを使用してください。バッテリー充電器の電源コードが損傷していないことを確認してください。延長ケーブルを使用している場合は、損傷していないことを確認してください。
- 充電不可能なバッテリーを本バッテリー充電器で充電しないでください。

メンテナンスのための安全注意事項



警告： 本製品のメンテナンスを行う前に、以下の警告指示を読んでください。

- メンテナンス、その他の点検、または製品の組み立てを行う前に、バッテリーを取り外してください。
- 作業者は本取扱説明書に記載されているメンテナンスとサービスだけを実施してください。メンテナンスおよびさまざまなサービスについては、サービス代理店にお問い合わせください。
- バッテリーまたはバッテリー充電器を水分を含んだ布で拭いたり、水で洗浄したりしないでください。

強い洗剤を使用すると、プラスチックの部品が損傷する場合があります。

- メンテナンスを実施しないと、製品の寿命が短くなり、事故の危険性が増します。
- 特に本製品の安全装置については、すべての整備と修理の作業に特殊な訓練が必要です。メンテナンスを実施した後、この取扱説明書の点検項目の中に不合格の項目があった場合は、サービス代理店にお問い合わせください。当社は、お客様の製品のために、プロフェッショナルな修理と整備を提供することを保証します。
- 純正の交換部品のみを使用してください。

組立

はじめに



警告： 本製品を組み立てる前に、安全に関する章を読んで理解してください。

ノズルの取り付け方法

1. 本製品の前端にノズルを取り付けます。(図 26)
2. カチッと音がするまでノズルを押し込みます。

バッテリー充電器 (40-C80) の壁への取り付け方法



注意： バッテリー充電器を壁に取り付けるときは電動ドライバーを使用しないでください。電動ドライバーはバッテリー充電器を損傷する可能性があります。

1. 2本のネジ (A) で、壁面にバッテリー充電器を取り付けます。必要に応じて、ウォールプラグ (B) を使用します。(図 27)
2. ネジ穴プラグ (C) 2個を取り付けます。
3. バッテリー充電器と主電源ソケットに電源コード (D) を接続します。

Operation (操作)

はじめに



警告： 本製品を使用する前に、安全に関する章を読んで理解してください。

製品使用前の機能チェック

1. 汚れやヒビがないか、吸気口を点検します。ブラシを使用して、草や葉を本製品から払い落とします。吸気口の点検 197 ページを参照してください。
2. 製品が正常に機能することを確認します。
3. すべてのナットとネジを点検し、しっかりと締まっていることを確認します。

バッテリー



警告： バッテリーを使用する前に、安全に関する章をお読みにになり、内容を理解してください。バッテリーおよびバッテリー充電器の取扱説明書もお読みにになり、内容を理解してください。

バッテリーとバッテリー充電器を適切な周辺温度の場所に保管します。

	周囲温度
本製品の使用時	-5 °C - 40 °C / 23 °F - 104 °F
バッテリーの充電	5 °C - 40 °C / 41 °F - 104 °F

バッテリー LED インジケータ

(図 28)

ディスプレイには、充電の状況と、バッテリーに関する問題が表示されます。

LED インジケータ	バッテリーステータス (充電状態)
	40-B140
LED ライトが 4 つ点灯	バッテリーは 76 % ~ 100 % 充電済み。
LED ライトが 3 つ点灯	バッテリーは 51 % ~ 75 % 充電済み。
LED ライトが 2 つ点灯	バッテリーは 26 % ~ 50 % 充電済み。
LED ライトが 1 つ点灯	バッテリーは 6 % ~ 25 % 充電済み。
LED ライトが 1 つ点滅	バッテリーは 0 % ~ 5 % 充電済み。

バッテリーの充電

初めてバッテリーを使用する場合は、バッテリーを充電してください。新品のバッテリーは 30 % しか充電されていません。



注意： シリアルプレートで指定されている電圧と周波数の電源コンセントにのみバッテリー充電器を接続してください。

バッテリーの温度が 50 °C (122 °F) を超えると、バッテリーは充電されません。

1. 電源コードをバッテリー充電器に接続します。
2. バッテリー充電器を接地された電源コンセントに接続します。充電 LED が 1 回点滅します。(図 29)
3. バッテリーとバッテリー充電器の接続を接続します。充電 LED が点灯します。バッテリーを最大 24 時間充電します。(図 30)
4. バッテリーインジケータボタンを押します。すべての LED インジケータが点灯した場合、バッテリーは完全に充電されています。
5. 電源プラグを引いて、バッテリー充電器を電源コンセントから外します。電源コードを引っ張らないでください。
6. バッテリー充電器からバッテリーを外します。

バッテリーの取り付け方法



警告： 本製品には、推奨の Husqvarna バッテリーのみを使用してください。

1. バッテリーがフル充電されていることを確認してください。
2. カチッという音が聞こえるまで、バッテリーをバッテリーホルダーに押し込みます。バッテリーは簡単に動かせる必要があります。簡単に動かせない場合は、正しく取り付けられていません。(図 31)

本製品の始動方法

1. 緑色の LED ランプが点灯するまで、START ボタンを長押しします。(図 32)
2. パワートリガーを使用して、本製品を操作します。

作業に最適なエアフローの設定方法

- 速度制御ボタンを押して、エアフローを設定します。エアフローは 3 段階あります。(図 33)

本製品の停止方法

1. パワートリガーを解放します。
2. 緑色の LED が消灯するまで電源ボタンを押し続けます。
3. リリースボタンを押して、バッテリーを引き出します。(図 34)

自動シャットダウン機能

本製品には、使用されていないときに停止する自動シャットダウン機能があります。緑色の LED 電源インジケータが消灯し、3 分後に本製品が停止します。

メンテナンス

はじめに



警告： メンテナンス作業を行う前に、安全に関する章をお読みになり、内容を理解してください。

メンテナンスのスケジュール



警告： メンテナンスを実行する前にバッテリーを外してください。

本製品に必要なメンテナンス手順のリストは以下のとおりです。

メンテナンス	毎日	毎週	毎月
本製品を清潔で乾燥した布で清掃します。水は使わないでください。	X		
ハンドルに汚れがなく、乾燥した状態であることを確認します。	X		
キーパッドを点検します。	X		
パワートリガーを点検します。	X		
ナットとネジが確実に締め付けられていることを確認します。	X		
バッテリーに損傷がないことを確認します。	X		
バッテリー充電器を点検します。	X		
バッテリーリリースボタンが損傷しておらず、本製品にバッテリーをロックできるか確認してください。	X		
バッテリー充電器に損傷がないことを確認してください。	X		
すべてのカップリング、コネクタ、ケーブルに汚れがなく、損傷がないことを確認します。		X	
バッテリー、バッテリー充電器、および本製品の接続を確認します。			X

吸気口の点検

1. 吸気口に詰まりがないことを確認します。(図 35)
2. 必要に応じて、製品を停止し、ごみを除去します。



注意： 吸気口が塞がっていると、本製品の送風性能が低下して、モーターの動作温度が上がります。モーターが過熱し、モーターが損傷するおそれがあります。

バッテリーとバッテリー充電器の点検方法

1. バッテリーにヒビなどの損傷がないか調べます。

2. バッテリー充電器にヒビなどの損傷がないか調べます。
3. 充電器の電源コードを点検し、破損や亀裂がないことを確認してください。

製品、バッテリー、およびバッテリー充電器の清掃方法

1. 使用後は、製品を乾いた布で拭いてください。
2. バッテリーとバッテリー充電器を、乾いた布で拭いてください。バッテリーガイドトラックは清潔さを保ってください。
3. バッテリーをバッテリー充電器や本製品に入れる前に、バッテリーとバッテリー充電器の端子に汚れがないことを確認してください。

トラブルシューティング

キーパッド

LED 画面	想定される障害	解決方法
赤色のエラー LED が点滅している	温度範囲外です。	本製品を冷却してください。
	バッテリーコネクタが汚れているか、ファンが詰まっています。	圧縮空気あるいは柔らかいブラシで掃除します。
	バッテリーが空です。	バッテリーを充電してください。
	バッテリーに損傷があります。	販売店に相談してください。

バッテリー

LED 画面	想定される障害	解決方法
緑色の LED ライトが点滅している。	バッテリーの電圧が下がっています。	バッテリーを充電してください。
エラー LED ライトが点滅している。	温度範囲外です。	バッテリーは -5 °C - 40 °C / 23 °F - 104 °F の温度範囲で使用してください。
	電圧が高すぎます。	主電源の電圧が、本製品の銘板に記載されている電圧と一致していることを確認してください。 バッテリー充電器からバッテリーを外します。
エラー LED ライトが点灯している。	セルの電位差が大きすぎます (1 V)。	販売店にお問い合わせください。

バッテリー充電器

LED 画面	想定される障害	解決方法
充電 LED インジケータが赤色に点灯している。	バッテリー充電器が損傷しています。	販売店にお問い合わせください。
充電 LED インジケータが緑色に点滅している。	バッテリー温度が充電範囲外です。	バッテリーの温度が下がるまで待つか、温度を上げます。バッテリーの温度が適切になると、使用または充電できるようになります。バッテリー充電器は 5 °C - 40 °C / 41 °F - 104 °F の周囲温度範囲で使用してください。
充電 LED インジケータが赤色に点滅している。	バッテリーに損傷があります。	サービス販売店にお問い合わせください。

搬送、保管、廃棄

搬送と保管

- 同梱のリチウムイオンバッテリーは、危険物の規制に関する規則に準拠しています。
- 民間の運送業者による商用輸送においては、梱包およびラベル付けに関して所定の要件に従ってください。
- 本製品を発送する前に、危険物に関して特別な訓練を受けた担当者にご相談ください。該当するすべての国内規制に従ってください。
- バッテリーを梱包するときは、露出している端子にテープを貼ってください。バッテリーを固定し、動かないように梱包してください。

- 保管するときや搬送時はバッテリーを外してください。
- バッテリーとバッテリー充電器は、乾燥して湿気や霜がない場所に置いてください。
- 静電気が発生する可能性のある場所に本製品を保管しないでください。バッテリーは金属製の箱に保管しないでください。
- バッテリーは、直射日光の当たらない、5 °C / 41 °F and 25 °C / 77 °F の温度範囲の場所に保管してください。
- バッテリー充電器は、直射日光の当たらない、5 °C / 41 °F and 45 °C / 113 °F の温度範囲の場所に保管してください。

- ・ バッテリー充電器は、周囲温度が 5 °C - 40 °C / 41 °F - 104 °F の範囲内である場合にのみ使用してください。
- ・ バッテリーを長期間保管するときは、充電量を 30 - 50 % にしてください。
- ・ 本製品は、温度が -40 ~ +60 °C (-40 ~ 140 °F) の場所に保管してください。
- ・ バッテリー充電器は、密閉した乾いた場所に保管してください。
- ・ バッテリーの保管中は、バッテリー充電器から遠ざけてください。子供や許可されていない他の人が機器に触れないようにしてください。施錠できる場所に装置を保管してください。

- ・ 長期間保管する場合は、本製品を清掃し、全般的な整備を行ってください。
- ・ 搬送中は製品をしっかりと固定してください。

バッテリー、バッテリー充電器、および製品の廃棄

本製品や本製品パッケージ上のマークは、本製品が家庭ゴミではないことを示します。電気・電子機器の再利用を行うため、リサイクル営業所に引き渡します。これにより環境や人への被害を防ぐことができます。

本製品のリサイクルの詳細については、地方自治体、廃棄物処理業者または販売店にお問い合わせください。

主要諸元

主要諸元

	122iB
モーター	
モータータイプ	PMDC
質量	
バッテリーを除いた質量、kg	1.9
騒音排出、騒音レベル、 ^{40 41}	
実測音響レベル dB (A)	92.2
保証音響レベル (L _{WA}) dB (A)	93
EN IEC 62841-4-6 および ISO 22868 に準拠して測定した、使用者の耳における等価音圧レベル、dB (A) :	82.8
振動レベル ⁴²	
EN IEC 62841-4-6 に準拠して測定したハンドルの振動レベル、m/s ²	1.13
ファン性能	
ピーク体積流量 (m ³ /h)	865
ピーク理論速度 (m/s)	53
ブローカ (N)	11

騒音と振動のデータは、定格最大速度に基づいて決定されます。

注記： 公称振動合計値および公称騒音放出値は、標準試験法に従って測定されており、ツールどうしの比較に使用できます。

注記： 公称振動合計値および公称騒音放出値は、予備暴露評価にも使用できます。

注記： 本製品の使用時に発生する実際の振動や騒音は、本製品の使用状況に応じて、公称合計値と異なる場

⁴⁰ 環境における騒音排出は、EC 指令 2000/14/EC に準拠し、音響パワー (L_{WA}) として測定しています。一般的な統計上のばらつき (標準偏差) は 1.0 dB (A) です。

⁴¹ 報告データによると、本製品の等価音圧レベルの一般的な統計上のばらつき (標準偏差) は 1.3 dB (A) です。

⁴² 報告データによれば、等価振動レベルの一般的な統計上のばらつき (標準偏差) は、1.5 m/s² です。

合があります。実際の使用条件における暴露の推定に基づいて、作業者を保護する安全対策を特定する必要があります。この推定には、本製品の作動時間に加えて、電

源オフの時間、アイドル状態での稼働時間など、作業サイクルのすべてを含める必要があります。

認可されたバッテリー

バッテリー	40-B140
タイプ	リチウムイオン
バッテリー容量 (Ah)	バッテリー定格ステッカー参照
公称電圧、V	36
質量、kg / ポンド	1.25/2.76

認可されたバッテリー充電器

バッテリー充電器	40-C80
入力電圧、V	100/240
周波数、Hz	50 ~ 60
電力、W	72
出力電圧 (V、直流) / アンペア (A)	43/1.6

適合宣言

EU 適合宣言

ハスクバーナ社 (Husqvarna AB) SE-561 82
Husqvarna, Sweden、電話番号 : +46-36-146500) は、
単独責任のもとで、以下の製品の適合を宣言します。

説明	手持ち式バッテリー駆動ブロフ
ブランド	Husqvarna
タイプ / モデル	122iB
ID	2025 年以降の製造番号

は、以下の EU 指令および規制 (改正版) に準拠しています。

規制	説明
2006/42/EC	「機械類に関する」
2014/30/EU	「電磁環境適合性に関する」
2011/65/EU	「電気・電子製品に含まれる特定有害物質の使用制限に関する」
2000/14/EC	「環境への騒音排出に関する」

および以下の規格または技術仕様が適用されています :
EN 62841-1:2015/A11:2022, EN IEC 62841-4-6:2024/
A11:2024, EN IEC 63000:2018

EN IEC 55014-1:2021, EN IEC 55014-2:2021

指令 2000/14/EC の付録 V に従って宣言された音響値については、
主要諸元 199 ページを参照してください。

Husqvarna, 2025-11-03

Claes Losdal, R&D Manager, Husqvarna AB
正式代表兼技術文書担当



TURINYS

Įvadas.....	202	Gedimai ir jų šalinimas.....	211
Sauga.....	203	Transportavimas, saugojimas ir utilizavimas.....	212
Surinkimas.....	208	Techniniai duomenys.....	212
Naudojimas.....	208	Atitikties deklaracija.....	215
Techninė priežiūra.....	210		

Gaminio apžvalga

(Pav. 1)

1. Pūstuvo antgalis
2. Pūstuvo antgalio atlaisvinimo mygtukas
3. Klaviatūra
4. Maitinimo jungiklis
5. Rankena
6. Įjungimo / išjungimo mygtukas
7. Maitinimo indikatorius
8. Įspėjimo indikatorius (klaidos šviesos diodas)
9. Greičio valdymo mygtukas
10. Atramos
11. Akumuliatoriaus indikacinis mygtukas
12. Akumuliatoriaus būseną
13. Akumuliatoriaus įspėjamasis indikatorius
14. Akumuliatoriaus nuėmimo mygtukas
15. Akumuliatorius
16. Maitinimo ir įspėjamasis indikatorius
17. Jungtis
18. Akumuliatoriaus įkroviklis 40-C80
19. Naudojimo instrukcija

Gaminio aprašas

Husqvarna 122iB yra pūstuvo modelis su elektros varikliu.

Numatytasis naudojimas

Šis gaminys – tai patikimas ir paprastas naudoti rankinis lapų pūstuvas, skirtas visoms pūtimo ir bendro valymo užduotims namuose ir sode.

Simboliai ant gaminio

- (Pav. 2) ĮSPĖJIMAS. Šis gaminys gali būti pavojingas ir rimtai sužeisti arba pražudyti naudotoją arba aplinkinius. Būkite atsargūs ir tinkamai naudokite gaminį.
- (Pav. 3) Prieš naudodami gaminį atidžiai perskaitykite naudojimo instrukciją ir išitikinkite, kad instrukcijas suprantate.
- (Pav. 4) Naudokite patvirtintas akių apsaugos priemones.
- (Pav. 5) ĮSPĖJIMAS – pašaliniai asmenys turi būti atokiau.
- (Pav. 6) Nepalikite lietuje.

(Pav. 7)

Triukšmo emisijos į aplinką ženklিনimas atitinka ES direktyvas bei reglamentus ir Naujojo Pietų Velso įstatymą „2017 m. aplinkos apsaugos (triukšmo kontrolės) reglamentas“. Gaminio garantuotas garso galios lygis nurodytas *Techniniai duomenys psl. 212* ir etiketėje.

(Pav. 8)

Gaminys ar gaminio pakuotė nepriskiriami buitinėms atliekoms. Nuvežkite jį į elektros ir elektronikos įrenginių perdirbimo punktą.

(Pav. 9)

Šis gaminys atitinka taikomas EB direktyvas.

(Pav. 10)

Vardinė įtampa, V

(Pav. 11)

Nuolatinė srovė.

yyyy wwxxxx

Vardinių parametrų plokštelėje nurodytas serijos numeris. **yyyy** yra pagaminimo metai, **ww** yra pagaminimo savaitė, o **xxxx** yra eilės numeris.

Pasižymėkite: Kiti ant įrenginio pateikti simboliai (lipdukai) skirti specialioms kai kurių rinkų sertifikavimo reikalavimams.

Simboliai ant akumuliatoriaus ir (ar) akumuliatoriaus įkroviklio

(Pav. 12)

Apsaugotas transformatorius.

(Pav. 13)

Akumuliatoriaus įkroviklį naudokite ir laikykite tik uždaroje patalpose.

(Pav. 14)

Dviguba izoliacija.

(Pav. 15)

Nuvežkite šį gaminį į elektros ir elektronikos įrenginių perdirbimo punktą. (galioja tik Europoje)

Produkto pažeidimai

Mes neatsakome už mūsų gaminio sugadinimą, jei:

- gaminys netinkamai suremontuotas;
- gaminys suremontuotas naudojant kito gamintojo arba gamintojo nepatvirtintas dalis;

- gaminy s turi kito gamintojo arba gamintojo nepatvirtintą priedą;
- gaminy s suremontuotas ne patvirtintame techninēs priežiūros centre arba jį suremontavo ne patvirtintas atstovas.

Gamintojas

Husqvarna AB

Drottninggatan 2, SE-561 82 Huskvarna

Sauga

Saugos ženklų reikšmės

[spėjimai, perspėjimai ir pastabos yra skirtos atkreipti dėmesį į ypač svarbias vadovo dalis.



PERSPĖJIMAS: Naudojamas, kai naudotojui ar šalia esantiems asmenims kyla mirtino arba sunkaus sužeidimo pavojus arba, jei nesilaikoma vadove pateiktų nurodymų.



PASTABA: Naudojamas, kai kyla pavojus sugadinti gaminį, kitas medžiagas arba padaryti žalą aplinkai, jei nesilaikoma vadove pateiktų nurodymų.

Pasižymėkite: Naudojamas papildomai informacijai apie konkrečią situaciją pateikti.

Bendrieji elektrinių įrankių saugos nurodymai



PERSPĖJIMAS: Perskaitykite visus saugos įspėjimus, instrukcijas, iliustracijas ir specifikacijas, pateikiamas su šiuo gaminiu. *Nesilaikydami toliau nurodytų instrukcijų galite sukelti gaisrą, gauti elektros smūgį ir (ar) rimtai susižeisti.*

Išsaugokite visus saugos nurodymus ir instrukcijas ateičiai.

Pasižymėkite: *Terminas „gaminy s“ įspėjimuose reiškia iš elektros tinklo maitinamą (laidinį) gaminį arba akumuliatorinį (belaidį) gaminį.*

Sauga darbo zonoje

- **Darbo vieta turi būti švari ir gerai apšviesta.** Netvarkinga ar neapšviesta darbo zona gali būti nelaimingo atsitikimo priežastis.
- **Nenaudokite gaminio sprogiose aplinkose, pavyzdžiui, ten, kur yra degių skysčių, dujų arba dulkių.** Gaminiumi veikiant gali kilti kibirkščių, kurios gali uždegti dulkes ar garus.
- **Naudodami gaminį užtikrinkite, kad vaikai ir kiti asmenys laikytųsi atokiau nuo gaminio.** Jei kas nors atitrauks jūsų dėmesį, galite nesuvaldyti prietaiso.

Elektrosauga

- **Gaminio kištukas turi atitikti elektros lizdą. Niekada nebandykite kokių nors būdu perdaryti kištuko. Jei naudojate įžemintus gaminius, nenaudokite jokių kištukų adapterių.** Jeigu kištukai nėra perdaryti ir atitinka elektros lizdus, elektros smūgio pavojus yra mažesnis.
- **Nesilieskite prie elektros laidininkų paviršių, pavyzdžiui, vamzdžių, radiatorių, viryklių ir šaldytuvų.** Jei kūnas taps elektros laidininku, iškyla elektros smūgio pavojus.
- **Nelaikykite gaminį lietuje arba drėgnoje aplinkoje.** Į gaminį patekęs vanduo padidina elektros smūgio pavojų.
- **Tinkamai naudokite laidą. Niekada neneškite gaminio laikydami už laido, netraukite jo ir nebandykite traukdami laidą ištraukti kištuką. Laikykite laidą atokiai nuo šilumos šaltinių, tepalų, aštrių briaunų ar judančių dalių.** Dėl pažeistų arba susipainiojusių laidų padidėja elektros smūgio rizika.
- **Jei gaminį naudojate lauke, naudokite lauke skirtą naudoti ilgintuvą.** Naudojant lauke skirtą naudoti ilgintuvą, sumažėja elektros smūgio rizika.
- **Jeigu gaminį būtina naudoti drėgnoje aplinkoje, naudokite liekamosios srovės [taisu (LSI)] apsaugotą maitinimo šaltinį.** Naudojant LSI, sumažėja elektros smūgio pavojus.

Asmens sauga

- **Naudodami gaminį būkite budrūs, stebėkite savo veiksmus ir vadovaukitės sveiku protu. Nenaudokite gaminio, jei esate pavargę, apsvaigę nuo narkotikų, alkoholio arba vaistų.** Dirbant su gaminiu netgi akimirksnis neatidumo gali būti sunkaus sužeidimo priežastis.
- **Naudokite asmenines apsaugines priemones. Visuomet užsidėkite akių apsaugos priemones.** Dėl atitinkamomis sąlygomis naudojamų apsauginių priemonių, pavyzdžiui, respiratorių, neslystančių apsauginių batų, šalmo arba apsauginių ausinių, sumažėja sužeidimų rizika.
- **Saugokitės atsitiktinio įsijungimo. Prieš jungdami įrankį į elektros tinklą ir (arba) prie akumuliatoriaus, keldami ar nešdami, įsitinkite, kad gaminy s yra išjungtas.** Jei nešite gaminį laikydami pirštą ant jungiklio ar prijungsite jį prie maitinimo šaltinio, kai jungiklis yra įjungimo padėtyje, gali įvykti nelaimingas atsitikimas.
- **Prieš įjungdami gaminį, pašalinkite iš jo visus reguliavimo raktus ar veržiarakčius.** Besisukančiose

gaminio dalyse paliktas veržliaraktis arba raktas gali sužeisti.

- **Neužsimokite per plačiai. Visada tvirtai stovėkite ant kojų ir laikykite pusiausvyrą.** Tik taip galėsite suvaldyti elektrinį įrankį iškilus netikėtoms aplinkybėms.
- **Apsirenkite tinkamai. Niekada nedėvėkite palaidų drabužių ar papuošalų. Nelaikykite plaukų ir drabužių arti judančių dalių.** Palaidi drabužiai, papuošalai arba ilgi plaukai gali įkliūti į judančias dalis.
- **Jeigu naudojate įtaisus, skirtus dulkių surinkimo įrenginiams prijungti, įsitikinkite, kad jie tinkamai prijungti ir naudojami.** Naudojant dulkių surinkimo įrenginius, sumažėja su dulkelėmis susijusių pavojų rizika.
- **Būkite atidūs ir laikykitės elektriniams įrankiams galiojančių taisyklių net ir tada, kai elektrinį įrankį naudojate ne pirmą kartą.** Neatidžiai veikiant per sekundės dalis galima patirti sunkių sužalojimų.

Gaminio naudojimas ir priežiūra

- **Dirbdami su gaminiu nenaudokite jėgos. Naudokite savo darbu tinkamą gaminį.** Su tinkamu elektriniu įrankiu dirbsite geriau ir saugiau srityje, kuriai jis buvo suprojektuotas.
- **Jeigu paspaudus jungiklį gaminys neįsijungia arba neišsijungia, nenaudokite jo.** Gaminys, kurio nepavyksta valdyti jungikliu, kelia pavojų ir turi būti pataisytas.
- **Prieš reguliuodami gaminį, keisdami priedus arba padėdami saugoti gaminį, ištraukite maitinimo laido kištuką iš elektros maitinimo šaltinio ir (arba) išimkite akumuliatorių bloką iš gaminio, jei įmanoma.** Šios atsargumo priemonės mažina pavojų, jog elektrinis įrankis įsijungs netyčia.
- **Nenaudojamus gaminį laikykite vaikams nepasiekiamoje vietoje ir neleiskite naudoti gaminio asmenims, kurie nemoka juo naudotis arba nėra susipažinę su šiomis instrukcijomis.** Nekvalifikuotų naudotojų rankose gaminiai yra pavojingi.
- **Pržiūrėkite gaminį ir jų priedus. Patikrinkite, ar sureguliuotos ir nestringa judančios dalys, ar nėra sulūžusių dalių ir kitų veiksnų, kurie gali daryti įtaką gaminio veikimui. Jei gaminys sugedęs, prieš naudodami jį sutaisykite.** Daug nelaimingų atsitikimų atsitinka dėl netinkamos elektrinių įrankių priežiūros.
- **Pjovimo gaminiai turi būti pagalšti ir švarūs.** Tinkamai prižiūrėti pjovimo gaminiai su aštriomis pjovimo briaunomis rečiau užstringa ir juos paprasčiau valdyti.
- **Gaminį, priedus, antgalius ir pan. naudokite taip, kaip nurodyta šiose instrukcijose, atsižvelgdami į darbo sąlygas ir atliekamą darbą.** Naudodami gaminį ne pagal paskirtį, galite sukelti pavojų.
- **Rankenos ir laikomieji paviršiai visuomet turi būti sausi ir švarūs (neištepti alyva ar tepalais).** Dėl slidžių rankenų ir suėmimo paviršių negalima saugiai naudoti ir valdyti gaminio netikėtose situacijose.

Akumuliatorių gaminių naudojimas ir priežiūra

- **Akumulatorius kraukite tik gamintojo nurodytu įkrovikliu.** Įkroviklis, tinkamas vienam akumuliatorių blokui, gali sukelti gaisro pavojų, naudojamas kitam akumuliatorių blokui įkrauti.
- **Gaminį naudokite tik su jiems skirtais akumuliatorių blokais.** Naudojant bet kokį kitą akumuliatorių bloką kyla sužeidimo ir gaisro pavojus.
- **Nenaudojamą akumuliatorių bloką laikykite toliau nuo metalinių daiktų, galinčių sukurti jungtį tarp gnybtų, pavyzdžiui sąvaržėlių, monetų, raktų, vinių, varžtų ir kitų smulkių metalinių daiktų.** Trumpai sujungus akumuliatoriaus gnybtus gali kilti gaisras arba galite nudegti.
- **Esant nepalankioms sąlygoms, iš akumuliatoriaus gali imti tekėti skystis. Nelieskite jo. Ant odos netyčia patekusį skystį nuplaukite vandeniu. Skysčiai patekus į akis kreipkitės medicininės pagalbos.** Iš akumuliatoriaus ištekėjęs skystis gali sudirginti arba nudeginti.
- **Nenaudokite akumuliatorių bloko arba gaminio, jei jis yra pažeistas arba modifikuotas.** Naudojant pažeistus ar modifikuotus akumuliatorius, jų veikimas gali būti neprognozuojamas ir jie gali sukelti gaisrą, sprogimą ar sužaloti.
- **Saugokite akumuliatorių bloką ir gaminį nuo ugnies arba aukštos temperatūros.** Sąlytis su ugnimi arba 130 °C (265 °F) temperatūra gali sukelti sprogimą.
- **Visada laikykitės visų įkrovimo nurodymų ir niekada nekraukite akumuliatorių bloko arba gaminio, jei aplinkos temperatūra nepatenka į eksploatavimo instrukcijoje nurodytą intervalą.** Netinkamai įkraunant arba esant nurodytame diapazone neišsitenkančiai temperatūrai gali būti pažeistas akumuliatorius ir padidėti gaisro tikimybė.

Techninė priežiūra

- **Taisykite savo elektrinį įrankį tik tai pas kvalifikuotą personalą ir tik tai su originaliomis atsarginėmis dalimis.** Tai užtikrina, kad elektrinis įrankis išliks saugus.
- **Niekada neapžiūrėkite pažeistų akumuliatorių blokų.** Akumuliatorių blokų techninę priežiūrą gali atlikti tik gamintojas arba įgalioti paslaugų teikėjai.

Sodo pūstuvo saugos įspėjimai

- **Nenaudokite sodo pūstuvo blogomis oro sąlygomis, ypač jei yra žaibo pavojus.** Taip sumažinsite pavojų būti nutrenktiems žaibo.
- **Užsidėkite akių apsaugos priemones.** Naudojant tinkamas apsaugos priemones sumažėja sužeidimų rizika.
- **Dirbdami su sodo pūstuvu visada avėkite neslystančius ir apsauginius batus. Nenaudokite sodo pūstuvo basi arba avėdami atvirą avalynę.** Taip sumažės pėdų sužeidimo pavojus.

- **Nedėvėkite laisvų drabužių ir tokių elementų kaip šalkai, dirželiai, grandinėš, kaklaraiščiai ir t. t., kurie gali būti įtraukti į oro įsiurbimo angas. Ilgus plaukus susiriškite arba prisidenkite, kad jie nepatektų į oro įsiurbimo angas.** Kuriam šių elementų patekus į oro įsiurbimo angas, didėja sužeidimų pavojus.
- **Naudojant sodo pūstuvą pašaliniai asmenys turi laikytis atokiau.** Dėl išmetamų šiukšlių didėja sužeidimų pavojus.
- **Niekada nenukreipkite lapų pūstuvo antgalio į žmones, augintinius arba į langus.** Būkite labai atsargūs pūsdami šiukšles netoli kietų objektų, pavyzdžiui, medžių, automobilių ir sienų, nuo kurių šiukšlės gali atšokti. Išmesti objektai gali sugadinti turtą ir didina sužeidimų pavojų.
- **Nenaudokite sodo pūstuvo, kad nupūstumėte degančius arba rūkstančius objektus, pvz., cigaretes, degtukus arba pelenus.** Šie uždegimo šaltiniai gali padidinti gaisro pavojų.
- **Nelieskite judančio ventiliatoriaus. Išjunkite sodo pūstuvą, palaukite, kol ventiliatorius sustos, ir tik tada nuimkite bet kokias dalis, kad pasiektumėte ventiliatorių.** Taip sumažės pavojus susižaloti dėl judančių dalių.
- **Valydami užstrigusią medžiagą ar atikdami sodo pūstuvo techninę priežiūrą, įsitinkinkite, kad mašinimo jungiklis yra išjungtas.** Netikėtai įsijungus sodo pūstuvui, kai valoma užstrigusi medžiaga arba atliekama techninė priežiūra, galima sunkiai susižeisti.

Bendrieji saugos nurodymai



PERSPĖJIMAS: Prieš naudodami gaminį, perskaitykite toliau esančius įspėjimus.

- Netinkamai arba neatidžiai naudojant šis gaminys yra pavojingas. Jei nesilaikysite saugos nurodymų, kyla sužeidimų arba mirties pavojus.
- Šis gaminys veikdamas sukuria elektromagnetinį lauką. Tam tikromis aplinkybėmis šis laukas gali trikdyti aktyviųjų arba pasyviųjų medicininių implantų veiklą. Kad sumažėtų sunkių ar mirtinų sužeidimų pavojus, medicininių implantų turintiems asmenims rekomenduojame prieš naudojant šį gaminį pasitarti su gydytoju ir implanto gamintoju.
- Visada elkitės atsargiai ir vadovaukitės sveiku protu. Jei tiksliai nežinote, kaip naudoti gaminį konkrečioje situacijoje, sustabdykite darbą ir prieš tęsdami darbą pasitarkite su „Husqvarna“ pardavimo atstovu.
- Atsiminkite, kad už nelaimingus atitikimus, kurių metu nukentęs asmenys ar turtas, bus atsakingas naudotojas.
- Rūpinkitės gaminio švara. Įsitinkinkite, kad galite aiškiai perskaityti ženklus ir lipdukus.
- Neleiskite vaikams bei suaugusiesiems, nesusipažinusiems su instrukcijomis, naudotis

įrenginiu. Gali būti, kad pagal vietos teisės aktus ribojamas naudotojo amžius.

- Visada prižiūrėkite gaminį naudojantį fizinę arba protinę negalią turintį asmenį. Būtina nuolatinei atsakingo suaugusiojo priežiūra.
- Nedirbkite su gaminiu, jeigu esate pavargę, sergate arba esate apsvaigę alkoholio, narkotinių medžiagų ar vaistų. Tai neigiamai veikia jūsų regėjimą, nuovoka ar koordinaciją.
- Nenaudokite gaminio, jei jis yra pažeistas arba neveikia tinkamai.
- Nekeiskite gaminio ir nenaudokite jo, jei jį galėjo pakeisti kiti.

Darbo sauga



PERSPĖJIMAS: Prieš naudodami gaminį, perskaitykite toliau esančius įspėjimus.

- Naudokite asmenines apsaugines priemones. *Žr. Asmeninės apsauginės priemonės psl. 206.*
- Įsitinkinkite, kad žinote, kaip greitai sustabdyti variklį nelaimės atveju.
- Nenaudokite gaminio lietuje arba drėgnoje aplinkoje. Į gaminį patekus vandens, padidėja elektros smūgio pavojus.
- Visada būkite už gaminio, kai jį naudojate.
- Dirbant varikliui niekada nekelkite gaminio. Jei reikia pakelti gaminį, išjunkite variklį ir išimkite akumuliatorių.
- Naudodami gaminį neikite atgal.
- Kai reikia pakreipti gaminį, kad jį būtų galima gabenti, arba prieš pereinant iš vienos vietos kitą sritimi, kurioje nėra žolės, pvz., žvyro, akmenų ar asfalto takais, sustabdykite variklį.
- Dirbant varikliui nebėkite su gaminiu. Naudodami gaminį visada eikite.
- Gaminio vibracijos jam veikiant gali skirtis nuo deklaruojamos vibracijos vertės, nurodytos *Techniniai duomenys psl. 212.* Skirtumus lemia skirtingas gaminio naudojimas. Jei gaminį naudojate dažnai arba ilgą laiko tarpą, reguliariai darykite pertraukas, kad nesusižeistumėte dėl vibracijų.

Naudojimo saugos instrukcijos



PERSPĖJIMAS: Prieš naudodami gaminį, perskaitykite toliau esančius įspėjimus.

- Jei tam tikroje situacijoje nežinosite, kaip pasiegti, teiraukitės specialisto. Kreipkitės į prekybos atstovą ar techninės priežiūros centro specialistus. Nesiimkite darbų, kurių nemokate ar jaučiatės nepakankamai kvalifikuoti.
- Įsitinkinkite, kad galite saugiai judėti ir stovėti. Apžiūrėkite, ar jūsų darbo vietoje nėra kliūčių (išsikūsiusių šaknų, akmenų, šakų, griovių ir pan.),

kurios trukdytų, jei kartais reikėtų atlikti staigesių judesį. Būkite labai atsargūs dirbdami ant šlaitų.

- Visuomet laikykite pusiausvyrą ir tvirtai remkitės į žemę kojomis. Neužsimokite per plačiai.
- Jei dėvite apsaugines ausines, būkite atidūs, kad išgirstumėte galimus įspėjamuosius signalus ar šūksnius. Gaminiai sustojus, būtinai nusiimkite apsaugines ausines.
- Nenaudokite gaminio šalia atvirų langų.
- Atsižvelkite į savo kaimynus ir nenaudokite įrenginio netinkamu laiku, pvz., vėlai vakare ar anksti ryte. Atsižvelkite į vietos nuostatas ir taisykles.
- Įrenginį naudokite su kaip galima mažesniu oro srautu. Paprastai nebūtina naudoti didžiausio oro srauto, nes daugumą darbų galima atlikti naudojant tik pusės stiprumo oro srautą. Naudodami silpnesni oro srautą sukeliame mažiau triukšmo ir dulkių, taip pat paprasčiau valdyti surenkamas ar pučiamas šiukšles.
- Naudodami gaminį dulkėtoje aplinkoje šiek tiek sudrėkinkite paviršius.
- Prie žemės prilipusias šiukšles pakelkite grėbliu ar šepetiu.
- Pūstuvo angą laikykite kiek galima arčiau žemės.
- Stebėkite aplinką. Įrenginį nukreipkite nuo žmonių, gyvūnų, žaidimų aikštelių, automobilių ir pan.
- Norėdami kuo labiau sumažinti šiam darbui skirtą laiką, šiek tiek sudrėkinkite ar apipurškite purkštuvu dulkėtas sritis.
- Atkreipkite dėmesį į vėjo kryptį. Dirbkite pavėjui ir darbas palengvės.
- Jeigu įrenginys pradeda neįprastai vibruoti, sustabdykite įrenginį ir atjunkite akumuliatorių.
- Pūstuvu stumdyti dideles lapų krūvas užima daug laiko ir keliamas nereikalingas triukšmas.
- Pabaigę išvalykite. Nenupuškite šiukšlių į kieno nors sodą.
- Nebėkite su gaminiu rankose.
- Stiprios oro srovės gali pakelti daiktus tokiu greičiu, kad jie gali atšokti atgal ir sunkiai sužaloti akis.

(Pav. 16)

- Nekreipkite oro srauto į žmones ar gyvūnus.
- Prieš sumontuodami ar išmontuodami priedus ar kitas dalis, sustabdykite variklį.
- Jokia kūno dalimi nesilieskite prie įkaitusių paviršių.
- Suaktyvinto įrenginio niekada nedėkite ant žemės, jei jo nematote.
- Pūstuvo negalima naudoti užsilipus ant kopėčių ar pastolių.

(Pav. 17)

- Niekada nenaudokite įrenginio, jei nelaimės atveju nebūtų kaip iškviešti pagalbą.
- Saugokitės į orą išsviedžiamų objektų. Akmenukai, šiukšlės ir pan. gali pataikyti į akis ir apakinti ar sunkiai jas sužaloti.
- Įkraudami gaminį naudokite papildomo saugumo suteikiančią liekamosios srovės įtaisą (RCI).

Liekamosios srovės įtaisas reikalingas tam, kad apsaugotų operatorių elektrinio gedimo metu.

- Šis įrenginys žinomas dėl savo mažų vibracinių apkrovų. Ilgalaikė vibracija gali pakenkti silpnesnės sveikatos žmonių kraujui apytakai ir nervų sistemai. Pajutę somatinius negalavimo požymius, kreipkitės į gydytoją. Tokie simptomai yra sustingimas, tirpulus, jutimo praradimas, dilgčiojimas, badymas, skausmas, silpnumas, odos spalvos ir būklės pakitimas. Šie simptomai dažniausiai pasireiškia pirštuose, plaštakose ir rankų sąnariuose.
- Įrenginį naudokite tik tiems tikslams, kuriems jis yra skirtas.
- Neįmanoma numatyti visų situacijų, kurios gali iškilti. Visada elkitės atsargiai ir vadovaukitės sveiku protu. Neapsiimkite atlikti darbų, kuriems nesate pakankamai kvalifikuotas. Jeigu perskaitytė šią instrukciją vis dar nesate tikri, kaip naudoti įrenginį, pasitarkite su tai išmanančiu asmeniu.
- Gaminį visada laikykite dešine / kaire ranka. Laikykite gaminį prie kūno šono.

(Pav. 18)

Asmeninės apsauginės priemonės



PERSPĖJIMAS: Prieš naudodami gaminį, perskaitykite toliau esančius įspėjimus.

- Naudodami įrenginį būtinai dėvėkite patvirtintas asmenines apsaugines priemones. Asmeninės apsauginės priemonės nepadės visiškai išvengti pavojaus susižeisti, tačiau nelaimingo atsitikimo atveju mažiau nukentėsite. Leiskite prekybos atstovui padėti pasirinkti tinkamą įrangą.
- Naudokite patvirtintas apsaugines ausines.

(Pav. 19)

- Naudokite patvirtintas akių apsaugos priemones. Jei naudojamas apsauginis skydelis, turi būti nešiojami ir patvirtinti apsauginiai akiniai. Patvirtinti apsauginiai akiniai atitinka JAV ANSI Z87.1 standartą arba ES EN 166 standartą.

(Pav. 20)

- Jei reikia, apsimaukite pirštines.

(Pav. 21)

- Avėkite apsauginius batus su plieninėmis nosimis ir neslystantčiais padais.

(Pav. 22)

- Vilkėkite iš stiprios medžiagos pagamintus drabužius. Būtinai mėvėkite tvirtas, ilgas kelnes, vilkėkite aprangą ilgomis rankovėmis. Nevilkėkite laisvų drabužių, kurie gali užkibti už krūmokšnių ir šakų. Nedėvėkite papuošalų, trumpų kelnų ir neavėkite sandalų. Nebūkite basi. Saugiai susisėkite plaukus aukščiau pečių.

(Pav. 23)

- Netoliese turi būti pirmosios pagalbos vaistinė.

Gaminio apsauginės priemonės



PERSPĖJIMAS: Prieš naudodami gaminį, perskaitykite toliau esančius įspėjimus.

- Šiame skyriuje aprašytos gaminio saugos priemonės, jų paskirtis ir patarimai, kaip atlikti patikros ir priežiūros darbus, siekiant užtikrinti tinkamą gaminio veikimą. Žr. instrukcijas skyriuje *Gaminio apžvalga psl. 202* ir sužinokite, kurioje traktoriuko vietoje yra šios dalys.
- Gaminio naudojimo laikas gali sutrumpėti, o nelaimingų atsitikimų pavojus gali padidėti, jei gaminys nebus tinkamai prižiūrimas, o techninė priežiūra ir (arba) remonto darbai nebus atliekami profesionaliai. Prireikus daugiau informacijos, prašome kreiptis į artimiausią techninės priežiūros atstovą.
- Niekada nenaudokite gaminio, kurio apsauginės dalys yra pažeistos. Gaminio saugos įranga turi būti tikrinama ir prižiūrima taip, kaip yra aprašyta šiame skyrelyje. Jei gaminys neatitinka bet kurio iš šių kontrolinių reikalavimų, kreipkitės į savo techninės priežiūros atstovą dėl gaminio remonto.
- Gaminio techninė priežiūra ir taisymas reikalauja specialaus pasirengimo. Tai ypač susiję su gaminio saugos įranga. Jei jūsų gaminys neatitiks nors vieno iš žemiau pateiktų kontrolės reikalavimų, kreipkitės į sertifikuotą remonto dirbtuvę. Įsigijus mūsų gaminį, garantuojame profesionalų aptarnavimą ir techninę priežiūrą. Jei gamino pardavėjas neatlieka aptarnavimo, paprašykite jo duoti artimiausios remonto dirbtuvės adresą.

Valdymo skydelio patikra

1. Paspauskite ir laikykite mygtuką ON/OFF (įjungti / išjungti) (A), kol įsijungs maitinimo indikatorius (B). (Pav. 24)
2. Jeigu įsijiebia arba mirksi įspėjamasis indikatorius (C), žr. *Gedimai ir jų šalinimas psl. 211*.

Maitinimo jungiklio patikra

- Paspauskite ir atleiskite maitinimo jungiklį, kad įsitikintumėte tinkamu jo veikimu. (Pav. 25)

Akumuliatorių naudojimo sauga



PERSPĖJIMAS: Prieš naudodami gaminį, perskaitykite toliau esančius įspėjimus.

- Rekomenduojamas akumuliatorius 40-B series. Akumuliatoriai turi koduotą programinę įrangą.
- Naudokite tik „40-B series“ akumuliatorių, kuris yra įkraunamas tik kaip „Husqvarna“ gaminį maitinimo šaltinis. Kad išvengtumėte sužeidimų, nenaudokite akumuliatoriaus kaip kitų gaminų maitinimo šaltinio.

- Elektros smūgio pavojus. Neleiskite akumuliatoriaus gnybtams liestis prie raktų, atsuktuvų ar kitų metalinių daiktų. Galite sukelti akumuliatoriaus trumpąjį jungimą.
- Nenaudokite neįkraunamų akumuliatorių.
- Nekiškite objektų į akumuliatoriaus oro angas.
- Saugokite akumuliatorių nuo tiesioginių saulės spindulių, karščio ar atviros ugnies. Akumuliatorius gali sukelti terminius ir (arba) cheminius nudegimus.
- Saugokite akumuliatorių nuo lietaus ir drėgmės.
- Saugokite akumuliatorių nuo mikrobangų ir aukšto slėgio.
- Nebandykite akumuliatoriaus išmontuoti ar sulaužyti.
- Saugokitės, kad akumuliatorinės rūgšties nepatektų ant odos. Akumuliatorinė rūgštis gali pažeisti odą ir ją nudeginti. Jei akumuliatorinės rūgšties patektų į akis, jų netrinkite, tačiau mažiausiai 15 minučių skalaukite vandeniu. Jeigu akumuliatorinės rūgšties pateko ant odos, nuplaukite tą vietą dideliu kiekiu vandens su muilu. Kreipkitės į gydytoją.
- Akumuliatorių naudokite nuo –10 °C (14 °F) iki 40 °C (104 °F) temperatūroje.
- Nevalkykite akumuliatoriaus ar įkroviklio vandeniu. Žr. *Įrenginio, akumuliatoriaus ir akumuliatorių įkroviklio valymas psl. 210*.
- Sugadinto akumuliatoriaus nenaudokite.
- Laikykite akumuliatorius atokiau nuo metalinių daiktų, pavyzdžiui, vinių, varžtų, juvelyrinių dirbinių.
- Saugokite akumuliatorių nuo vaikų.

Įkroviklio sauga



PERSPĖJIMAS: Prieš naudodami gaminį, perskaitykite toliau esančius įspėjimus.

- Nesilaikant saugos instrukcijų, kyla elektros smūgio arba trumpojo jungimo rizika.
- Naudokite tik kartu su gaminiumi pateiktą akumuliatoriaus įkroviklį. 40-C80 įkroviklius naudokite tik įkraudami 40-B serijos atsarginius akumuliatorius.
- Nebandykite išmontuoti akumuliatoriaus įkroviklio.
- Nenaudokite akumuliatoriaus įkroviklio, jei jis yra pažeistas arba tinkamai neveikia.
- Nekelkite akumuliatoriaus įkroviklio už maitinimo laido. Norėdami atjungti akumuliatoriaus įkroviklį nuo elektros lizdo, traukite už kištuko. Netraukite už elektros laido.
- Visus kabelius ir jungiamuosius kabelius laikykite atokiau nuo vandens, alyvos ir aštrių briaunų. Būkite atidūs, kad kabelio neprispaustų objektai, pvz., durys, tvoros ar pan.
- Nenaudokite akumuliatoriaus įkroviklio šalia degių arba koroziją sukeliančių medžiagų. Įsitinkite, kad akumuliatoriaus įkroviklis neuždengtas. Pastebėję dūmus ar liepsną, ištraukite akumuliatoriaus įkroviklio kištuką.

- Įkraukite akumuliatorių tik gerai vėdinamoje patalpoje, saugodami nuo saulės spindulių. Nekraukite akumuliatoriaus lauke. Nekraukite akumuliatoriaus drėgnomis sąlygomis.
- Akumuliatorių įkroviklį naudokite nuo 5 °C (41 °F) iki 40 °C (104 °F) temperatūroje. Įkroviklį naudokite gerai vėdinamoje, sausoje ir nedulkėtoje aplinkoje.
- Nekiškite objektų į įkroviklio aušinimo angas.
- Neprijunkite akumuliatorių įkroviklio gnybtų prie metalinių daiktų, nes taip sukelsite akumuliatorių įkroviklio trumpąjį jungimą.
- Naudokite patvirtintus ir nepažeistus elektros tinklo lizdus. Įsitinkinkite, kad akumuliatoriaus įkroviklio maitinimo laidas yra nepažeistas. Jei naudojami jungiamieji kabeliai, įsitinkinkite, kad jie nepažeisti.
- Akumuliatorių įkrovikliais nekraukite neįkraunamų akumuliatorių.
- Prieš atlikdami techninę priežiūrą, kitą patikrą ar montuodami įrenginį, išimkite akumuliatorių.
- Operatorius gali atlikti tik tokius priežiūros ir techninės priežiūros darbus, kurie aprašyti šiame operatoriaus vadove. Dėl didesnių techninės priežiūros ir aptarnavimo darbų kreipkitės į techninės priežiūros atstovą.
- Nevalykite akumuliatoriaus ar įkroviklio vandeniu. Stiprus ploviklis gali sugadinti įrenginį.
- Neatliekant techninės priežiūros trumpėja įrenginio naudojimo laikas ir didėja nelaimingų atsitikimų pavojus.
- Visiems techninės priežiūros ir remonto darbams atlikti būtini specialūs mokymai, ypač atliekant su sauga susijusios įrangos priežiūrą. Jeigu atlikus techninę priežiūrą patvirtinti ne visi šiame naudotojo vadove nurodyti punktai, kreipkitės į techninės priežiūros atstovą. Garantuojame, kad jis suteiks profesionalią priežiūrą ir atliks gaminio techninės priežiūros darbus.
- Naudokite tik originalias atsargines dalis.

Priežiūros saugos instrukcijos



PERSPĖJIMAS: Prieš atlikdami gaminio techninę priežiūrą, perskaitykite toliau esančius įspėjimus.

Surinkimas

Įvadas



PERSPĖJIMAS: Prieš surinkdami gaminį perskaitykite ir supraskite skyrių apie saugą.

Antgalio montavimas

1. Uždėkite antgalį ant gaminio priekinio galo. (Pav. 26)
2. Stumkite antgalį, kol išgirsite spragtelėjimą.

Akumuliatoriaus įkroviklio 40-C80 tvirtinimas prie sienos



PASTABA: Montuodami akumuliatoriaus įkroviklį ant sienos, nenaudokite elektrinio atsuktuvo. Elektriniu atsuktuvu galima pakenkti akumuliatorių įkrovikliui.

Naudojimas

Įvadas



PERSPĖJIMAS: Prieš naudodami gaminį perskaitykite ir supraskite skyrių apie saugą.

Funkcijų patikra prieš įrenginio naudojimą

1. Apžiūrėkite, ar ant oro įsiurbimo angos nėra purvo ar įtrūkimų. Šepečiu nuvalykite nuo įrenginio lapus ir žolę. Žr. *Oro įsiurbimo patikra psl. 210.*
2. Įsitinkinkite, kad įrenginys veikia tinkamai.

3. Patikrinkite visus varžtus ir veržles, tada patikrinkite jų priveržimą.

Akumulatorius



PERSPĖJIMAS: Prieš naudodami akumuliatorių perskaitykite ir supraskite saugos skyriaus informaciją. Taip pat turite perskaityti ir suprasti akumulatoriaus bei akumulatoriaus įkroviklio naudojimo instrukcijas.

Akumuliatorių ir akumulatoriaus įkroviklį laikykite tinkamoje aplinkos temperatūroje.

	Aplinkos temperatūra
Gaminio naudojimas	-5 °C – 40 °C / 23 °F - 104 °F
Akumulatoriaus įkrovimas	5 °C – 40 °C / 41 °F - 104 °F

Akumulatoriaus LED indikatorius

Ekране rodoma akumulatoriaus įkrovos būsena ir galimos akumulatoriaus problemos. (Pav. 28)

LED indikatoriaus lemputė	Akumulatoriaus būsena (įkrovos būsena)
	40-B140
Šviečia 4 LED indikatoriai	Akumuliatorių įkrautas 76–100 %.
Šviečia 3 LED indikatoriai	Akumuliatorių įkrautas 51–75 %.
Šviečia 2 LED indikatoriai	Akumuliatorių įkrautas 26–50 %.
Šviečia 1 LED indikatorius	Akumuliatorių įkrautas 6–25 %.
Mirksi 1 LED indikatorius	Akumuliatorių įkrautas 0–5 %.

Akumulatoriaus įkrovimas

Jeigu naudojate įrenginį pirmą kartą, įkraukite akumuliatorių. Naujas akumuliatorių įkrautas tik 30 %.



PASTABA: Prijunkite akumulatoriaus įkroviklį tik prie nominalių parametru plokštelėje nurodytos įtampos ir dažnio maitinimo lizdo.

Jei akumulatoriaus temperatūra yra didesnė nei 50 °C (122 °F), jo nepavyks įkrauti.

1. Prijunkite maitinimo laidą prie akumuliatorių įkroviklio.
2. Prijunkite akumulatoriaus įkroviklį prie žeminto maitinimo lizdo. Įkrovimo LED indikatorius mirksi vieną kartą. (Pav. 29)
3. Prijunkite akumuliatorių prie įkroviklio. Įsijiebia įkrovimo šviesos diodas. Akumuliatorių kraukite daugiausia 24 valandas. (Pav. 30)
4. Paspauskite akumulatoriaus indikacinį mygtuką; jei užsidega visi LED indikatoriai, akumuliatorių visiškai įkrautas.
5. Ištraukite akumulatoriaus įkroviklį iš maitinimo lizdo. Netraukite už elektros laido.
6. Iš įkroviklio išimkite akumuliatorių.

Akumulatoriaus prijungimas prie įrenginio



PERSPĖJIMAS: Gaminii naudokite tik rekomenduojamą Husqvarnaakumuliatorių.

1. Įsitinkite, kad akumuliatorių visiškai įkrautas.
2. Stumkite akumuliatorių į akumulatoriaus laikiklį, kol išgirkite spragtelėjimą. Akumuliatorių turi lengvai judėti. Jei taip nėra, akumuliatorių sumontuotas netinkamai. (Pav. 31)

Gaminio paleidimas

1. Paspauskite ir palaikykite užvedimo mygtuką, kol įsijiebs žalias šviesos diodas. (Pav. 32)
2. Maitinimo jungiklius valdykite gaminį.

Optimalaus darbinio oro srauto nustatymas

- Paspauskite greičio valdymo mygtuką, kad nustatytumėte oro srautą. Yra 3 oro srauto etapai. (Pav. 33)

Gaminio sustabdymas

1. Atleiskite maitinimo jungiklį.
2. Paspauskite ir palaikykite maitinimo mygtuką, kol žalias šviesos diodas užges.

3. Paspauskite atlaisvinimo mygtuką ir ištraukite akumuliatorių. (Pav. 34)

maitinimo indikatorius užgesa ir gaminys po 3 min. sustoja.

Automatinio išjungimo funkcija

Šis gaminys turi automatinio išjungimo funkciją, kuri išjungia gaminį, jei jis nenaudojamas. Žalias LED

Techninė priežiūra

Įvadas



PERSPĖJIMAS: Prieš atlikdami priežiūros darbus perskaitykite ir supraskite saugos skyriaus informaciją.

Techninės priežiūros grafikas



PERSPĖJIMAS: Prieš atlikdami priežiūros darbus išimkite akumuliatorių.

Toliau pateiktas būtinų gaminio priežiūros darbų sąrašas.

Techninė priežiūra	Kasdien	Kas savaitę	Kas mėnesį
Gaminį valykite švaria ir sausa šluoste. Nenaudokite vandens.	X		
Pasirūpinkite, kad rankenos būtų sausas ir švarios.	X		
Patikrinkite klaviatūrą.	X		
Patikrinkite maitinimo jungiklį.	X		
Patikrinkite, ar veržlės ir varžtai priveržti.	X		
Įsitinkinkite, kad akumuliatorius nepažeistas.	X		
Patikrinkite akumuliatoriaus įkrovą.	X		
Patikrinkite, ar nepažeisti akumuliatoriaus atlaisvinimo mygtukai ir ar jie fiksuoja akumuliatorių gaminyje.	X		
Įsitinkinkite, kad akumuliatoriaus įkroviklis nepažeistas.	X		
Įsitinkinkite, kad visos movos, jungtys ir laidai yra švarūs ir nepažeisti.		X	
Patikrinkite akumuliatoriaus, jo įkroviklio ir gaminio jungtis.			X

Oro įsiurbimo patikra

1. Įsitinkinkite, kad oro įsiurbimo angos neužsikimšusios. (Pav. 35)
2. Išjunkite gaminį ir, jeigu būtina, pašalinkite nepageidaujamą medžiagą.



PASTABA: Dėl blokuojamų oro įsiurbimo angų sumažėja gaminio pūtimo galia ir kyla variklio darbinė temperatūra. Dėl to gali sugesti variklis, nes per daug įkaista.

Akumuliatoriaus ir akumuliatoriaus įkroviklio patikra

1. Patikrinkite, ar nepažeistas akumuliatorius, pvz., nėra įtrūkimų.
2. Patikrinkite, ar nepažeistas akumuliatorių įkroviklis, pvz., nėra įtrūkimų.
3. Įsitinkinkite, kad akumuliatoriaus įkroviklio prijungimo laidas nepažeistas ir be įtrūkimų.

Įrenginio, akumuliatoriaus ir akumuliatorių įkroviklio valymas

1. Baigę darbą nuvalykite įrenginį sausa šluoste.
2. Nuvalykite akumuliatorių ir akumuliatorių įkroviklį sausa šluoste. Akumuliatoriaus uždėjimo takeliai turi būti švarūs.

3. Prieš įstatydami akumuliatorių į akumuliatorių įkroviklį ar įrenginį, įsitikinkite, kad akumuliatoriaus kontaktai ir akumuliatorių įkroviklio kontaktai yra švarūs.

Gedimai ir jų šalinimas

Klaviatūra

LED ekranas	Galimi gedimai	Galimi sprendimai
Mirksi raudonas klaidos LED indikatorius	Temperatūros svyravimai.	Leiskite produktui atvėsti.
	Nešvarios akumuliatoriaus jungtys arba užsikimšęs ventiliatorius.	Nuvalykite minkštu šepetėliu ar pūsdami suslėgtąjį orą.
	Akumuliatorius išsekęs.	Įkraukite akumuliatorių.
	Akumuliatorius sugedo.	Kreipkitės į savo techninės priežiūros atstovą.

Akumuliatorius

LED ekranas	Galimi gedimai	Galimi sprendimai
Mirksi žalias LED indikatorius.	Nepakankama baterijos įtampa.	Įkraukite akumuliatorių.
Mirksi klaidos LED indikatorius.	Temperatūros svyravimai.	Akumuliatorių naudokite temperatūros diapazone tarp -5 °C – 40 °C / 23 °F - 104 °F.
	Per aukšta įtampa.	Įsitikinkite, kad elektros tinklo įtampa atitinka tą, kuri yra nurodyta ant gaminio nominalių parametrų plokštelės. Iš įkroviklio išimkite akumuliatorių.
Šviečia klaidos LED indikatorius.	Pernelyg didelis blokų skirtumas (1V).	Kreipkitės į techninio aptarnavimo atstovą.

Akumuliatoriaus įkroviklis

LED ekranas	Galimi gedimai	Galimi sprendimai
Įkrovimo LED indikatorius nuolat šviečia raudonai.	Akumuliatoriaus kroviklis pažeistas.	Kreipkitės į techninio aptarnavimo atstovą.
Įkrovimo LED indikatorius mirksi žaliai.	Akumuliatoriaus temperatūra neatitinka nustatyto įkrovimo diapazono.	Leiskite akumuliatoriui atvėsti arba įšilti. Kai akumuliatorius yra tinkamos temperatūros, jį galima vėl naudoti arba įkrauti. Naudokite akumuliatoriaus įkroviklį kambario temperatūros diapazone tarp 5 °C – 40 °C / 41 °F - 104 °F.

LED ekranas	Galimi gedimai	Galimi sprendimai
Įkrovimo LED indikatorius mirksi raudonai.	Akumuliatorius sugedo.	Kreipkitės į techninio aptarnavimo atstovą.

Transportavimas, saugojimas ir utilizavimas

Gabenimas ir laikymas

- Pateikiamam ličio jonų akumuliatoriui taikomos pavojingų krovinių gabenimo taisyklės.
- Laikykitės specialių komercinių krovinių gabenimui, įskaitant trečiųjų šalių ar tarpininko transporto priemonėmis, taikomų reikalavimų dėl pakavimo ir ženklavimo.
- Pasitarkite su pavojingų medžiagų gabenimo specialistu prieš siųsdami įrenginį. Laikykitės visų taikomų nacionalinių reikalavimų.
- Pakuodami akumuliatorių uždėkite juostą ant atvirų kontaktų. Tvirtai supakuokite akumuliatorių, kad jis nejudėtų.
- Sandėliavimo ar transportavimo metu atjunkite akumuliatorių.
- Akumuliatorių ir akumuliatorių įkroviklį laikykite sausoje, drėgnoje ir teigiamos temperatūros vietoje.
- Nelaikykite akumuliatoriaus tokioje vietoje, kur gali susidaryti statiniai krūviai. Nelaikykite akumuliatoriaus metalinėje dėžutėje.
- Laikykite akumuliatorių vietoje, kurios temperatūros diapazonas tarp 5°C / 41°F and 25°C / 77°F, saugokite nuo tiesioginių saulės spindulių.
- Laikykite akumuliatorių įkroviklį vietoje, kurios temperatūros diapazonas tarp 5°C/41°F and 45°C/113°F, saugokite nuo tiesioginių saulės spindulių.
- Akumuliatoriaus įkroviklį naudokite, tik kai aplinkos temperatūros diapazonas tarp 5°C – 40°C / 41°F – 104°F.

- Prieš saugodami ilgesnį laiką pasirūpinkite, kad akumuliatorius būtų įkrautas 30–50 %.
- Gaminį laikykite aplinkoje, kurios temperatūra nuo –40 iki +60 °C (–40–140 °F)
- Akumuliatorių įkroviklį laikykite uždaroje ir sausoje patalpoje.
- Saugodami išimkite akumuliatorių iš akumuliatoriaus įkroviklio. Neleiskite vaikams ar kitiems nepatvirtintiems asmenims liesti įrenginio. Įrenginį laikykite užrakintoje vietoje.
- Prieš saugodami gaminį ilgesnį laiką, išvalykite jį ir atlikite visus techninės priežiūros darbus.
- Gabendami saugiai pritvirtinkite įrenginį.

Akumuliatoriaus, akumuliatorių įkroviklio ir įrenginio šalinimas

Ant gaminio ar ant jo pakuotės pateikti simboliai rodo, kad šio gaminio negalima išmesti kartu su buitinėmis atliekomis. Nuvežkite jį į elektros ir elektronikos įrenginių perdirbimo punktą. Taip saugosite nuo taršos aplinką ir žmones.

Jeigu reikia papildomos informacijos, kaip perdirbti jūsų gaminį, kreipkitės į vietines institucijas, buitinių atliekų surinkimo tarnybą arba pardavimo atstovą.

Techniniai duomenys

Techniniai duomenys

	122iB
Variklis	
Variklio tipas	PMDC
Svoris	
Svoris be akumuliatoriaus, kg	1,9

	122iB
Triukšmo emisijos, garso lygiai, ^{43 44}	
Garso galios lygis, išmatuotas dB (A)	92,2
Garso galios lygis, garantuojamas L _{WA} dB (A)	93
Ekvivalentinis garso slėgis ties operatoriaus ausimis, išmatuotas pagal EN IEC 62841-4-6 ir ISO 22868, dB (A):	82,8
Vibracijos lygis ⁴⁵	
Vibracijos lygis rankenose, išmatuotas pagal EN IEC 62841-4-6, m/s ²	1,13
Ventiliatoriaus parametrai	
Didžiausias tūrinis srauto greitis, m ³ /val.	865
Didžiausias teorinis greitis, m/s	53
Pūtimo jėga, N	11

Triukšmo ir vibracijos duomenys nustatomi pagal nominalųjį didžiausią greitį.

Pasižymėkite: Nurodyta suminė vibracijos vertė ir nurodyta triukšmo emisijos vertė, gautos matuojant pagal standartinį bandymo metodą, ir jas galima naudoti, norint palyginti įrenginį su kitais įrenginiais.

Pasižymėkite: Nurodyta suminė vibracijos vertė ir nurodyta triukšmo emisijos vertė gali būti naudojamos pirminiam poveikio įvertinimui.

Pasižymėkite: Tikroji vibracijos ir triukšmo emisija gaminio naudojimo metu gali skirtis nuo nurodytos suminės vertės, kadangi tai priklauso nuo to, kaip naudojamas gaminys. Operatoriaus apsaugai skirtos saugos priemonės turi būti nustatytos remiantis poveikio įvertinimu esamomis naudojimo sąlygomis. Atliekant įvertinimą būtina atsižvelgti į visus veikimo ciklus, pvz., gaminio išjungimo trukmę, darbo tuščiaja eiga ir naudojimo laiką.

Gaminiui patvirtinti akumulatoriai

Akumulatorius	40-B140
Tipas	Ličio jonų
Akumulatoriaus talpa, Ah	Žr. akumulatoriaus nominaliųjų parametrų lipduką
Nominali įtampa, V	36
Svoris, kg / svar.	1,25/2,76

Patvirtinti akumuliatorių įkrovikliai

Akumulatoriaus įkroviklis	40-C80
Įvado įtampa, V	100–240

⁴³ Aplinkoje sklaidžiamas triukšmas matuojamas kaip garso galia (L_{WA}), vadovaujantis EB direktyva 2000/14/EB, pasižymi įprasta 1,0 dB (A) statistine sklaida (standartinis nuokrypis).

⁴⁴ Pateiktuose duomenyse apie ekvivalentinį įrenginio garso slėgio lygį yra 1,3 dB (A) tipiška statistinė sklaida (standartinis nuokrypis).

⁴⁵ Pateiktuose vibracijos lygio duomenyse yra 1,5 m/s² tipiška statistinė sklaida (standartinis nuokrypis).

Akumulatoriaus įkroviklis	40-C80
Dažnis, Hz	50-60
Galia, W	72
Išėjimo įtampa, V nuol. srovė / amp., A	43/1,6

Atitikties deklaracija

ES atitikties deklaracija

Mēs, **Husqvarna AB**, SE-561 82 Huskvarna, Švedija, tel.
+46-36-146500, atsakingai patvirtiname, kad gaminys:

Aprašymas	Rankinis akumulātorinis pūstuvā
Gamintojās	Husqvarna
Tipas / modelis	122iB
Identifikācijas numeris	Serijas numerāi nuo šios datos: 2025 ir vēlesni

atitinka šias iš dalies pakeistas ES direktyvas ir
reglamentus:

Reglamentas	Aprašymas
2006/42/EB	„dēl mašīnų“
2014/30/ES	„dēl elektromagnetinio suderinamumo“
2011/65/ES	„dēl tam tikrų pavojingų medžiagų naudojimo elektros ir elektroninėje įrangoje apribojimo“
2000/14/EB	„dēl į aplinką skleidžiamo triukšmo“

ir kad laikomasi šių standartų ir (arba) techninių
specifikacijų: EN 62841-1:2015/A11:2022, EN IEC
62841-4-6:2024/A11:2024, EN IEC 63000:2018

EN IEC 55014-1:2021, EN IEC 55014-2:2021

Remiantis 2000/14/EB direktyvos V priedu,
deklaruojamos garso reikšmės nurodytos čia *Techniniai
duomenys psl. 212.*

Huskvarna, 2025-11-03

Claes Losdal, Mokslinių tyrimų ir plėtros skyriaus
vadovas, „Husqvarna AB“

Atsakingas už techninę dokumentaciją



Saturs

Ievads.....	216	Problēmu novēršana.....	225
Drošība.....	217	Pārvadāšana, glabāšana un utilizēšana.....	226
Montāža.....	222	Tehniskie dati.....	227
Lietošana.....	223	Atbilstības deklarācija.....	229
Tehniskā apkope.....	224		

Izstrādājuma pārskats

(Att. 1)

1. Pūtēja uzgalis
2. Pūtēja uzgaļa atbrīvošanas poga
3. Tastatūra
4. Piedziņas mēlīte
5. Rokturis
6. Ieslēgšanas/izslēgšanas poga
7. Ieslēgšanas indikators
8. Brīdinājuma indikators, kļūdas LED indikators
9. Ātruma regulēšanas poga
10. Balsti
11. Akumulatora indikatora poga
12. Akumulatora uzlādes stāvoklis
13. Akumulatora brīdinājuma indikators
14. Akumulatora atvienošanas poga
15. Akumulators
16. Darbības un brīdinājuma indikators
17. Savienotājs
18. Akumulatora lādētājs 40-C80
19. Lietotāja rokasgrāmata

vides aizsardzības (trokšņa kontroles) regula (2017)". Izstrādājuma garantētais skaņas jaudas līmenis ir norādīts šeit: *Tehniskie dati lpp. 227 un uzlīmē.*

- (Att. 8) Izstrādājums un tā iepakojums nav sadzīves atkritumi. Utilizējiet tos elektrisko un elektronisko ierīču pārstrādes uzņēmumā.
- (Att. 9) Ierīce atbilst spēkā esošo EK direktīvu prasībām.
- (Att. 10) Spriegums, V
- (Att. 11) Līdzstrāva.

yyyy wwxxxx | Datu plāksnītē ir norādīts sērijas numurs. **yyyy** ir ražošanas gads, **ww** ir ražošanas nedēļa, **xxxx** ir kārtas numurs.

Izstrādājuma apraksts

Husqvarna 122iB ir pūtēja modelis ar elektromotoru.

Paredzētā lietošana

Šī ierīce ir uzticams un vienkārši lietojams rokas pūtējs visiem pušanas un tīrīšanas darbiem mājās un dārzā.

Simboli uz ierīces

- (Att. 2) **BRĪDINĀJUMS:** Šī ierīce var būt bīstama un radīt smagas vai nāvējošas traumas operatoram vai citiem. Esiet uzmanīgi un lietojiet ierīci pareizi.
- (Att. 3) Rūpīgi izlasiet šo lietotāja rokasgrāmatu un pirms ierīces lietošanas pārlicinieties, ka izprotat norādījumus.
- (Att. 4) Izmantojiet apstiprinātus acu aizsarglīdzekļus.
- (Att. 5) **BRĪDINĀJUMS.** Nepieļaujiet nepiederošu personu atrašanos darba zonā.
- (Att. 6) Nepakļaujiet lietus iedarbībai.
- (Att. 7) Trokšņa emisijas vidē uzlīme atbilstoši ES un direktīvām un noteikumiem, kā arī Jaundienvidvēlsas tiesību aktam "Darba

Piezīme: Pārējie uz ierīces norādītie simboli/norādes atbilst konkrētu reģionu sertifikācijas prasībām.

Simboli uz akumulatora un/vai akumulatoru lādētāja

- (Att. 12) Bezatzeices transformators.
- (Att. 13) Lietojiet un uzglabājiet akumulatoru lādētāju tikai telpās.
- (Att. 14) Dubultā izolācija.
- (Att. 15) Utilizējiet šo ierīci elektrisko un elektronisko ierīču pārstrādes uzņēmumā. (Attiecas vienīgi uz Eiropu)

Produkta bojājumi

Mēs neatbildam par mūsu produkta bojājumiem, ja:

- ir veikts nepareizs produkta remonts;
- produkta remonts ir veikts, izmantojot detaļas, ko nav nodrošinājis vai apstiprinājis ražotājs;
- produktam tiek pievienots piederums, ko nav nodrošinājis vai apstiprinājis ražotājs;

- produkta remonts nav veikts pilnvarotā remontdarbnīcā vai pie pilnvarota speciālista.

Drottninggatan 2, SE-561 82 Huskvarna

Ražotājs

Huskvarna AB

Drošība

Drošības definīcijas

Brīdinājumi, norādes "Uzmanību!" un piezīmes tiek izmantotas, lai izceltu īpaši svarīgas lietotāja rokasgrāmatas daļas.



BRĪDINĀJUMS: Tiek izmantota tad, ja rokasgrāmatā sniegto instrukciju neievērošanas dēļ rodas izstrādājuma, citu esošajām personām draud traumu vai nāves risks.



IEVĒROJIET: Tiek izmantota tad, ja rokasgrāmatā sniegto instrukciju neievērošanas dēļ rodas izstrādājuma, citu materiālu vai blakus esošās teritorijas bojājuma risks.

Piezīme: Tiek izmantota, lai sniegtu plašāku informāciju, kas nepieciešama attiecīgajā situācijā.

Vispārīgie drošības norādījumi elektroinstrumentiem



BRĪDINĀJUMS: Izlasiet visus drošības brīdinājumus, norādījumus, apskatiet ilustrācijas un tehniskos datus, kas iekļauti šī trimera komplektā. *Turpmāk norādīto brīdinājumu un norādījumu neievērošana var radīt strāvas triecienu, aizdegšanos un/vai smagas traumas.*

Saglabājiet visus brīdinājumus un norādījumus turpmākām uzziņām.

Piezīme: *Brīdinājumus izmantotais termins "mašīna" attiecas uz elektroierīci ar elektroflīkla barošanu (ar kabeli) vai uz izstrādājumu ar akumulatoru (bez barošanas kabeli).*

Darba zonas drošība

- **Darba zonai jābūt tīrai un labi apgaismotai.** Nekārtīgas un neapgaismotas darba vietas var izraisīt negadījumu.
- **Nelietojiet ierīces sprādzienbīstamā vidē, piemēram, ugunsnedrošu šķidrumu, gāzu vai putekļu tuvumā.** Ierīces rada dzirksteles, kas var aizdedzināt putekļus vai tvaikus.

- **Ierīces lietošanas laikā neļaujiet tuvumā atrasties bērniem un citām personām.** Uzmanības novēršanas dēļ varat zaudēt vadību.

Elektrodrošība

- **Mašīnas kontaktspraudņiem jāatbilst kontaktligzdām. Nekādā gadījumā nepārveidojiet kontaktspraudni! Izmantojiet mašīnām nedrīkst izmantot nekādus pārveidotus spraudņus.** Oriģināli kontaktspraudņi un atbilstošas kontaktligzdas samazina elektriskās strāvas triecienu risku.
- **Nepieļaujiet ķermeņa saskari ar zemitām virsmām, piemēram, caurulēm, radiatoriem, plītiem un ledusskapjiem.** Ja ir izveidojies ķermeņa nevēlamais kontakts ar elektriskās strāvas triecienu risku.
- **Nepakļaujiet mašīnas lietus vai mitruma iedarbībai.** Ūdens, kas iekļuvis mašīnā, palielina elektriskās strāvas triecienu risku.
- **Lietojot kabeli, ievērojiet piesardzību. Nekad neizmantojiet barošanas kabeli mašīnas pārnēsāšanai, vilkšanai vai atvienošanai no kontaktligzdas. Sargiet kabeli no karstuma, eļļas, asām malām un kustīgām detaļām.** Bojāti vai savijušies kabeli paaugstina elektriskās strāvas triecienu risku.
- **Lietojot mašīnu ārpus telpām, izmantojiet piemērotu ārpustelpu pagarinātāju.** Lietošanai ārpus telpām piemērota pagarinātāja lietošana samazina elektriskās strāvas triecienu risku.
- **Ja mašīna jālieto mitrumā, izmantojiet paliekošās strāvas ierīci (Residual Current Device, RCD).** Izmantojot RCD, tiek samazināts elektriskās strāvas triecienu risks.

Individuālā aizsardzība

- **Lietojot ierīci, ievērojiet piesardzību, pārdomājiet savas darbības un rīkojieties saprātīgi. Nelietojiet ierīci, kad esat noguris, narkotiku, alkohola vai zāļu iespaidā.** Pat neliela neuzmanība, izmantojot ierīci, var radīt smagu traumu.
- **Lietojiet individuālos aizsarglīdzekļus. Vienmēr lietojiet acu aizsargus.** Individuālo aizsardzības līdzekļu, piemēram, putekļu maskas, aizsargapavu ar neslīdošām zolēm, ķiveres vai dzirdes aizsarglīdzekļu, lietošana attiecīgos apstākļos samazina traumu gūšanas risku.
- **Nepieļaujiet nejaušu ieslēgšanu.** Pirms pievienojat kāta zāģi barošanas avotam un/vai ievietojat akumulatoru, paceļot vai pārnēsājot ierīci, pārlicinieties, ka tā ir ieslēgta. Ierīču pārnēsāšana,

turot pirkstu uz slēdža, vai mašīnu pieslēgšana barošanai, ja ir ieslēgts slēdzis, var izraisīt negadījumus.

- **Pirms ierīces ieslēgšanas noņemiet visas regulēšanas atslēgas vai uzgriežņu atslēgas.** Uz ierīces rotējošajās daļas atstāta uzgriežņu atslēga vai atslēga var radīt traumu.
- **Nesniedzieties pārāk tālu. Vienmēr stāviet stabilu un saglabājiet līdzsvaru.** Tādējādi var labāk vadīt ierīci negaidītās situācijās.
- **Attiecīgi apgērbieties. Nevalkājiet vaļīgu apģērbu vai rotaslietas. Nepieļaujiet matu un apģērba saskari ar kustīgajām daļām.** Vaļīgas drēbes, rotaslietas vai gari mati var iekerties kustīgajās detaļās.
- **Ja komplektācijā ir iekļautas pievienojamas putekļu iesūces ierīces un savākšanas ierīces, pārbaudiet, vai tās ir piestiprinātas un tiek izmantotas pareizi.** Putekļu savākšanas līdzekļu izmantošana var samazināt putekļu radītos draudus.
- **Vienmēr ievērojiet ierīces drošas izmantošanas principus un neignorējiet tos pat, ja bieži izmantojat ierīci un esat ļabi apguvuši tās lietošanu.** Neuzmanīga rīcība vienā acumirklī var radīt smagas traumas.

Ierīces lietošana un kopšana

- **Nepieleciet ierīcei spēku. Izmantojiet konkrētajam darbam piemērotu ierīci.** Ar piemērotu ierīci varēsiet labāk un drošāk strādāt norādītajā veikspējas diapazonā.
- **Nelietojiet ierīci, ja, nospiežot slēdzi, tā neieslēdzas vai neizslēdzas.** Ierīce, kuru nevar vadīt, izmantojot slēdzi, rada apdraudējumu un tā jāremontē.
- **Pirms jebkādu regulēšanas darbu veikšanas, piederumu maiņas vai ierīces novietošanas uzglabāšanai atvienojiet kontaktspraudni no barošanas avota un/vai izņemiet akumulatoru.** Šie pasākumi palīdz novērst ierīces nejašu ieslēgšanu.
- **Ja ierīci neizmantojat, novietojiet to bērniem nepieejamā vietā un neļaujiet to lietot tiem, kas nepazīna ierīces lietošanu vai šeit sniegtos norādījumus.** Ierīces kļūst par apdraudējumu, ja tās izmanto neapmācīti lietotāji.
- **Veiciet ierīču un piederumu tehnisko apkopi.** Pārbaudiet kustīgo detaļu salāgojumu un ķeršanos, bojājumus un jebkādu citu stāvokli, kas var ietekmēt ierīces darbību. Ja ierīce ir bojāta, pirms lietošanas saremontējiet to. Daudzu nelaimes gadījumu iemesls ir slikti uzturētas ierīces.
- **Griešanas ierīcēm jābūt uzasinātām un tīrām.** Pareizi uzturētas griešanas ierīces ar asiem asmeņiem retāk saliecas, un tās ir vieglāk vadīt.
- **Lietojiet ierīci, piederumus un asmeņus u.c. detaļas atbilstoši šeit sniegtajiem norādījumiem, ņemot vērā darba apstākļus un veicamos uzdevumus.** Ierīces lietošana mērķiem, kuriem tā nav paredzēta, var radīt bīstamas situācijas.
- **Rokturkiem un turēšanas virsmām ir jābūt sausām, tīrām un uz tām nedrīkst būt eļļas un smērvielas.**

Slideni rokturi un turēšanas virsmas traucē drošu ierīces lietošanu un vadību negaidītās situācijās.

Akumulatora apgaismojuma sistēmas lietošana un apkope

- **Uzliādei izmantojiet tikai ražotāja norādīto lādētāju.** Lādētājs, kas ir piemērots viena tipa akumulatora blokam, var kļūt ugunsbīstams, lietojot to cita veida akumulatora blokam.
- **Izmantojiet dzīvzoga šķērēs tikai paredzētos akumulatorus.** Jebkura cita akumulatora bloka lietošana var radīt traumas un aizdegšanās risku.
- **Kad akumulatora bloks netiek izmantots, turiet to drošā attālumā no metāla priekšmetiem, piemēram, papīra saspraudēm, monētām, atslēgām, naglām, skrūvēm un citiem nelieliem metāla priekšmetiem, kas var savienot spaiļes.** Akumulatora spaiļu savienošana var radīt apdegumus vai aizdegšanos.
- **Nepareizi lietojot, no akumulatora var iztecēt šķidrums; izvairieties no saskares ar to. Ja nejaushi notiek saskare, noskalojiet skarto vietu ar lielu daudzumu ūdens. Ja šķidrums iekļūst acīs, vērsieties pēc medicīniskās palīdzības.** No akumulatora iztecejis šķidrums var radīt kairinājumu vai apdegumus.
- **Nelietojiet bojātu vai pārveidotu akumulatoru vai apgaismojuma sistēmu.** Bojāts vai pārveidots akumulators var darboties neparedzami, izraisot aizdegšanos, sprādzienu vai traumu gūšanas risku.
- **Nepakļaujiet akumulatoru vai dzīvzoga šķēres uguns vai augstas temperatūras ietekmei.** Ja pakļausiet dzīvzoga šķēres uguns vai tādas temperatūras iedarbībai, kas pārsniedz 130 °C (265 °F), var notikt sprādziens.
- **Ievērojiet visus norādījumus par akumulatora uzliādi un nekādā gadījumā neuzliādējiet akumulatoru vai apgaismojuma sistēmu ārpus lietošanas rokasgrāmatā norādītā temperatūras diapazona.** Nepareiza uzliāde vai uzliāde temperatūrā, kas ir ārpus norādītā diapazona, var bojāt akumulatoru un palielināt aizdegšanās risku.

Apkope

- **Uziciet mašīnas apkopi tikai kvalificētam remontdarbu speciālistam, kas izmanto oriģinālas rezerves daļas.** Tādējādi tiks garantēta mašīnas droša izmantošana.
- **Nekad neveiciet bojātu akumulatoru apkopi.** Akumulatoru apkopi drīkst veikt tikai ražotājs vai pilnvarota apkopes pakalpojumu nodrošinātājs.

Dārza pūtēja drošības brīdinājumi

- **Nelietojiet dārza pūtēju sliktos laikapstākļos, it īpaši tad, ja iespējams pērķona negaiss.** Tas paaugstina zibens iespēšanas risku.
- **Izmantojiet acu aizsarglīdzekļus.** Atbilstoši aizsarglīdzekļi samazinās traumas gūšanas risku.
- **Izmantojot dārza pūtēju, vienmēr uzvelciet neslīdošu aizsargapavus.** Neizmantojiet dārza

pūtēju, ja staigājat basām kājām vai valējās sandalēs. Šādi samazināsiet kāju traumu gūšanas risku.

- **Nevalkājiēt valģiu apģērbu vai izstrādājumus, piemēram, šalles, kaklautus, ķēdītes, kaklasaites u.c., kas var tikt ievilkas gaisa ielplūdes atverēs.** Sasieniet aizmugurē garus matas vai valkājiēt kādu galvassegu, lai neievilktu matas gaisa ielplūdes atverēs. Ja kāds no šiem priekšmetiem tiek ievilkts gaisa ielplūdes atverēs, var tikt paaugstināts traumu gūšanas risks.
- **Dārza pūtēja darbības laikā raugieties, lai neviens netuvojas darba vietai.** Izsviesti **gruži** var paaugstināt traumu gūšanas risku.
- **Nekādā gadījumā nevirziet pūtēja uzgali cilvēku vai mājdzīvnieku virzienā vai logu virzienā.** Esiet īpaši piesardzīgi, pūšot gružus monolītu objektu tuvumā, piemēram, koku, automobiļu un sienu tuvumā, kas šādi var izraisīt gružu atlēkšanu. Izsviesti priekšmeti var radīt materiālos zaudējumus un paaugstināt traumu gūšanas risku.
- **Neizmantojiet dārza pūtēju degošu vai dūmojošu cigarešu, sērkociņu vai karstu pelnu aizpūšanai.** Šādi aizdegšanās avoti var palielināt ugunsgrēka risku.
- **Nepieskarieties ventilatoram, kad tas darbojas.** Izslēdziet dārza pūtēju un uzgaidiet, līdz ventilators apstājas, pirms noņemat kādu detaļu, lai piekļūtu ventilatoram. Šādi samazināsiet kustīgu detaļu radītu traumu risku.
- **Izņemot iestrēgušu materiālu vai apkopjot dārza pūtēju, pārliecinieties, ka ieslēgšanas slēdzis ir izslēgts.** Ja dārza pūtējs sāk negaidīti darboties, kad izņemat iestrēgušu materiālu vai veicat apkopi, var tikt gūta smaga trauma.

Vispārīgi drošības norādījumi



BRĪDINĀJUMS: Pirms ierīces lietošanas izlasiet turpmāk minētos brīdinājuma norādījumus.

- Šis dārza pūtējs ir bīstams, ja to lieto nepareizi vai nerīkojas piesardzīgi. Drošības norādījumu neievērošana var radīt traumas vai nāvējošas traumas.
- Šis dārza pūtējs darbības laikā rada elektromagnētisko lauku. Zināmos apstākļos šis lauks var traucēt aktīvā vai pasīvā medicīniskā implanta darbībai. Lai mazinātu smagu vai nāvējošu traumu gūšanas risku, personām, kurām ir medicīniskie implantī, pirms šīs ierīces lietošanas ieteicams sazināties ar ārstu un medicīniskā implanta ražotāju.
- Vienmēr rīkojieties piesardzīgi un saprātīgi. Ja neesat pārliecināti par to, kā izmantot dārza pūtēju konkrētā situācijā, pārtrauciet darbu un sazinieties ar Husqvarna izplatītāju.

- Nemiet vērā, ka operators ir atbildīgs par negadījumiem, kuros iesaistītas citas personas vai to īpašums.
- Uzsturot dārza pūtēju tīru. Pārliecinieties, ka varat skaidri izlasīt zīmes un uzlīmes.
- Nekādā gadījumā neļaujiet lietot dārza pūtēju bērniem vai cilvēkiem, kas nepārzina norādījumus. Vietējie normatīvi var ierobežot operatora vecumu.
- Ja dārza pūtēju izmanto persona ar samazinātām fiziskajām vai garīgajām spējām, vienmēr uzraugiet šo personu. Tuvumā vienmēr jābūt pieaugušajam.
- Neizmantojiet dārza pūtēju, ja esat noguris, slims, alkohola, narkotiku vai medikamentu ietekmē. Šāds stāvoklis negatīvi ietekmē redzi, modrību, koordināciju un spriestspēju.
- Nelietojiet dārza pūtēju, ja tas ir bojāts vai nedarbojas pareizi.
- Nepārveidojiet šo dārza pūtēju un neizmantojiet to, ja tā izmaiņas ir veikuši citi.

Darba drošība



BRĪDINĀJUMS: Pirms ierīces lietošanas izlasiet zemāk minētos norādījumus.

- Lietojiet individuālos aizsardzības līdzekļus. Skatiet šeit: *Individuālie aizsarglīdzekļi lpp. 220.*
- Pārliecinieties, vai zināt, kā ārkārtas situācijā ātri apturēt dzinēju.
- Nedarbiniet pūtēju lietus laikā un nepakļaujiet to lietus vai mitruma iedarbībai. Ja pūtējā iekļūst ūdens, palielinās elektrotraumas risks.
- Darbinot pūtēju, vienmēr stāviet aiz tā.
- Nekādā gadījumā neceliet pūtēju uz augšu motora darbības laikā. Ja pūtējs ir jāpaceļ, apturiet motoru un izņemiet akumulatoru.
- Neejiet atmuguriski pūtēja lietošanas laikā.
- Apturiet motoru, ja nepieciešams savvērt pūtēju transportēšanai vai pirms pārvietošanās pa laukumiem bez zāles, piemēram, grants, akmens un asfalta ceļiem.
- Nekādā gadījumā neskrīniet ar pūtēju motora darbības laikā. Lietojot pūtēju, vienmēr ejiet.
- Pūtēja vibrācija darbības laikā var atšķirties no vibrācijas parametriem, kas norādīti šeit: *Tehniskie dati lpp. 227.* Atšķirība ir atkarīga no pūtēja izmantošanas veida. Ja pūtējs tiek lietots bieži vai ilgstoši, regulāri ieturiet pauzes, lai nepieļautu vibrācijas radītas traumas.

Darba drošības norādījumi



BRĪDINĀJUMS: Pirms ierīces lietošanas izlasiet turpmāk minētos brīdinājuma norādījumus.

- Ja ir radusies situācija, kurā nezināt, kā rīkoties, lūdziet padomu speciālistam. Sazinieties ar izplatītāju vai apkopes darbinīcu. Izvairieties no lietošanas paņēmieniem, kas nepārvaldāt.
- Pārliecinieties, ka ir iespējams droši pārvietoties un stāvēt. Pārbaudiet, vai tuvumā nav šķēršļu (saknes, akmeņi, zari, bedres utt.), kas var traucēt, ja pieeši nepieciešams pārvietoties. Ievērojiet īpašu piesardzību, strādājot nogāzēs.
- Vienmēr turiet līdzsvaru un stāviet stabili. Nesniedzieties pārāk tālu.
- Lietojot dzirdes aizsarglīdzekļus, vienmēr uzmanīgi klausieties, lai sadzirdētu brīdinājumu signālus vai saucienus. Kad ierīce apstājas, vienmēr noņemiet dzirdes aizsarglīdzekļus.
- Nelietojiet ierīci atvērto logu tuvumā.
- Cieniet apkārtējos, tādēļ darbiniet ierīci piemērotā laikā, nevis, piemēram, agri no rīta vai vēlu vakarā, kad tas var traucēt citus. Ievērojiet vietējos likumus un noteikumus.
- Darbiniet ierīci ar iespējami mazāku gaisa plūsmu. Ir samērā reti nepieciešams darbināt ierīci ar pilnu gaisa plūsmu; daudzus darbus var paveikt ar daļēju gaisa plūsmu. Mazāka gaisa plūsma nozīmē mazāk trokšņa un putekļu, turklāt tā ir arī vieglāk vadīt savāktos un pārvietotos gruzus.
- Putekļainos apstākļos, dārza pūtēja izmantošanas laikā nedaudz samitriniet virsmu.
- Ar grābekli vai slotu atbrīvojiet zemē ieķērušos gruzus.
- Turiet pūtēja atveri, iespējami tuvu zemei.
- Novērojiet apkārtni. Nevērsiet ierīci cilvēku, dzīvnieku, spēļu laukumu vai automobiļu u.c. virzienā.
- Samaziniet pūšanas laiku, viegli samitrinot putekļainās vietas vai izmantojot smidzināšanas aprīkojumu.
- Strādājot ņemiet vērā vēja virzienu. Lai atvieglotu darbu, strādājiet vēja virzienā.
- Ja ierīce sāk neparasti vibrēt, apturiet to un izņemiet akumulatoru.
- Pūtēja izmantošana lielu kaudžu pārvietošanai ir laikietilpīga un rada nevajadzīgu troksni.
- Pēc lietošanas notīriet ierīci. Uzmanieties, lai gruzi netiktu iepūsti citu cilvēku dārzā.
- Neskrieniet ar ierīci rokās.
- Spēcīgās gaisa plūsmas var pārvietot priekšmetus tik lielā ātrumā, ka tie var atlēkt un radīt smagas acu traumas.

(Att. 16)

- Nevērsiet gaisa plūsmu citu cilvēku vai dzīvnieku virzienā.
- Pirms piederumu vai citu sastāvdaļu uzstādīšanas vai noņemšanas apturiet motoru.
- Netuviniet ķermeņa daļas karstām virsmām.
- Nekad nelieciet ieslēgtu ierīci uz zemes, ja nevarat to uzraudzīt.
- Pūtēju nedrīkst lietot uz kāpnēm vai sastatnēm.

(Att. 17)

- Nelietojiet ierīci, ja nav iespējams izsaukt palīdzību nelaiemes gadījumā.
- Sargieties no izsviesti priekšmetiem. Akmeņi, nētriumi u.c. var tikt izsviesti un trāpīt acīs, tādējādi izraisot akumu vai citas smagas traumas.
- Uzlādējot ierīci, lielāki drošībai izmantojiet paliekošās strāvas ierīci (residual-current device, RCI). Paliekošās strāvas ierīce tiek uzstādīta, lai aizsargātu operatoru elektrosistēmas kļūmes gadījumos.
- Šai ierīcei ir raksturīgs ļoti zems vibrācijas līmenis. Personām ar asinsrites traucējumiem pārmērīga atrašanās vibrācijas ietekmē var negatīvi ietekmēt asinsriti vai nervu sistēmu. Ja jūtat pārmērīgas vibrāciju ietekmes simptomus, apmeklējiet ārstu. Simptomi var būt šādi: nejutīgums, tirpšana, dūrieni, sāpes, spēka zudums, ādas krāsas vai stāvokļa izmaiņas. Šie simptomi parasti ir novērojami pirkstiem, rokām vai locītavām.
- Izmantojiet ierīci tikai paredzētajam mērķim.
- Ņemiet vērā, ka visas iespējamās situācijas nav iespējams paredzēt. Vienmēr esiet piesardzīgi un izmantojiet veselo saprātu. Izvairieties no situācijām, kurās nejutāties īsti pārliecināti par notiekošo vai veicamajām darbībām. Ja pēc šo norādījumu izlasīšanas joprojām nepārzināt veicamās darbības, pirms turpmākas rīcības konsultējieties ar kādu speciālistu.
- Vienmēr turiet dārza pūtēju ar abām rokām. Turiet dārza pūtēju sev pie sāniem.

(Att. 18)

Individuālie aizsarglīdzekļi



BRĪDINĀJUMS: Pirms ierīces lietošanas izlasiet turpmāk minētos brīdinājuma norādījumus.

- Izmantojot dārza pūtēju, vienmēr lietojiet apstiprinātus individuālos aizsarglīdzekļus. Šādi līdzekļi nevar pilnībā novērst traumu gūšanas risku, taču samazina traumu smaguma pakāpi, ja negadījums tomēr notiek. Izplatītājs palīdzēs izvēlēties pareizo aprīkojumu.
- Izmantojiet apstiprinātus dzirdes aizsarglīdzekļus.

(Att. 19)

- Izmantojiet apstiprinātus acu aizsarglīdzekļus. Apstiprinātas aizsargbrilles ir jālieto arī tad, ja tiek izmantots sejsēgs. Apstiprinātas aizsargbrilles ir tādas, kas atbilst standarta ANSI Z87.1 prasībām ASV vai standarta EN 166 prasībām ES valstīs.

(Att. 20)

- Ja nepieciešams, izmantojiet cimdus.

(Att. 21)

- Lietojiet aizsargapavus ar tērauda purngaliem un neslīdošām zolēm.

(Att. 22)

- Lietojiet izturīga auduma apģērbu. Vienmēr valkājiet biezas, garas bikses un apģērbu ar garām piedurknēm. Nevalkājiet vaļīgu apģērbu, kas viegli var iekļerties krūmos un zaros. Noņemiet dārglietas, nevalkājiet īsas bikses un sandales. Nestaigājiet basām kājām. Sakārtojiet matus droši virs pleciem.
- Gādājiet, lai tuvumā būtu pirmās palīdzības komplekts.

(Att. 23)

Dārza pūtēja drošības ierīces



BRĪDINĀJUMS: Pirms ierīces lietošanas izlasiet zemāk minētos norādījumus.

- Šajā sadaļā ir izskaidrotas pūtēja drošības funkcijas, tā nolūks un veidi, kā tiek veikta tā pārbaude un apkope, lai garantētu izstrādājuma pareizu darbību. Lai noskaidrotu, kurā pūtēja vietā atrodas šīs daļas, skatiet norādījumus sadaļā *Izstrādājuma pārskats lpp. 216*.
- Šī pūtēja darbmūžs var saīsināties un var palielināties nelaimes gadījumu risks, ja pūtēja apkope netiek veikta pareizi un ja apkope un/vai remonts netiek veikts profesionāli. Ja nepieciešama papildu informācija, sazinieties ar tuvāko izplatītāju, kas nodrošina apkopi.
- Nekādā gadījumā nelietojiet pūtēju ar bojātu drošības aprīkojumu. Pūtēja drošības aprīkojums ir jāpārbauda un jāuztur, pamatojoties uz šajā nodaļā izklāstīto informāciju. Ja pūtējs neatbilst iepriekš aprakstīto pārbauzu prasībām, sazinieties ar vietējo remontdarbniecu, lai ierīci saremontētu.
- Pūtēja apkopi un remontu drīkst veikt tikai īpaši apmācīti tehniķi. Tas jo īpaši attiecas uz pūtēja drošības aprīkojumu. Ja pūtējs neatbilst tālāk aprakstīto pārbauzu prasībām, sazinieties ar apkopes pakalpojumu nodrošinātāju. Jebkura mūsu pūtēja iegāde garantē profesionāla remonta un apkopes pieejamību. Ja mazumtirgotājs, pie kura iegādājāties pūtēju, nav apkopi veicošs izplatītājs, uzziniet no viņa tuvākā apkopes veicēja adresi.

Tastatūras pārbaude

1. Turiet nospiestu ieslēgšanas/izslēgšanas pogu (A), līdz iedegas ieslēgšanas indikators (B). (Att. 24)
2. Skatiet sadaļu *Problēmu novēršana lpp. 225*, ja iedegas vai mirgo brīdinājuma indikators (C).

Piedziņas mēlītes pārbaude

- Nospiediet un atlaidiet piedziņas mēlīti, lai pārbaudīnātās, vai tā brīvi kustas. (Att. 25)

Akumulatora drošība



BRĪDINĀJUMS: Pirms ierīces lietošanas izlasiet turpmāk minētos brīdinājuma norādījumus.

- Ieteicamais akumulators ir 40-B series. Akumulatoriem ir šifrēta programmatūra.
- Kā barošanas avotu izmantojiet 40-B series uzlādējamu akumulatoru, kas paredzēts tikai saistītajām Husqvarna ierīcēm. Lai nepieļautu traumu gūšanas risku, akumulatoru nedrīkst izmantot kā citu ierīču barošanas avotu.
- Elektriskās strāvas trieciena risks. Nesavienojiet akumulatora spaiļes ar atslēgām, skrūvēm vai citiem metāla priekšmetiem. Var notikt akumulatora īssavienojums.
- Neizmantojiet akumulatorus, kas nav uzlādējami.
- Neievietojiet nekādus priekšmetus akumulatora gaisa atverēs.
- Neglabājiet akumulatoru vietās, ka ir pakļautas tiešai saulesgaismai, karstumam vai atklātām liesmām. Akumulators var radīt apdegumus un/vai ķīmiskos apdegumus.
- Akumulatoru nedrīkst pakļaut lietus un mitruma ietekmei.
- Akumulatoru nedrīkst pakļaut mikroviļņu un augsta spiediena ietekmei.
- Akumulatoru nedrīkst izjaukt vai saspīst.
- Nepieļaujiet elektroliīta nonākšanu saskarē ar ādu. Elektroliīts rada ādas traumas, koroziju un apdegumus. Ja elektroliīts iekļūst acīs, neberzējiet tās, bet skalojiet ar lielu daudzumu ūdens vismaz 15 minūtes. Ja elektroliīts ir nonācis saskarē ar ādu, āda ir jātīra ar lielu daudzumu ūdens un ziepēm. Meklējiet medicīnisku palīdzību.
- Akumulatoru drīkst izmantot temperatūrā no -10 °C (14 °F) līdz 40 °C (104 °F).
- Neīriet akumulatoru un tā lādētāju ar ūdeni. Skatiet šeit: *Produkta, akumulatora un akumulatora lādētāja tīrīšana lpp. 225*.
- Nelietojiet bojātu akumulatoru.
- Uzglabājiet akumulatorus vietā, kur nav metāla priekšmetu, piemēram, naglu, skrūvju vai rotaslietu.
- Sargiet akumulatoru no bērniem.

Akumulatora lādētāja drošības norādes



BRĪDINĀJUMS: Pirms izstrādājuma lietošanas izlasiet tālāk izklāstītos brīdinājumus.

- Ja drošības instrukcijas netiek ievērotas, pastāv elektriskās strāvas trieciena vai īssavienojuma risks.
- Neizmantojiet citus akumulatoru lādētājus, izņemot jūsu izstrādājumam paredzēto. Izmantojiet 40-C80 lādētājus tikai tad, ja uzlādējat 40-B sērijas rezerves akumulatorus.

- Nemēģiniet izjaukt akumulatora lādētāju.
- Nelietojiet akumulatora lādētāju, kas ir bojāts vai nedarbojas pareizi.
- Nevelciet akumulatora lādētāju aiz barošanas kabeļa. Lai akumulatora lādētāju atvienotu no elektrotīkla kontaktligzdas, velciet aiz kontaktspraudņa. Nevelciet aiz barošanas kabeļa.
- Gādājiet, lai kabeļi un pagarinātāji nesaskartos ar ūdeni, eļļu un asām malām. Nodrošiniet, lai kabeļi netiktu iespiesti starp priekšmetiem, piemēram, durvīs, nožogojumos vai līdzīgās konstrukcijās.
- Nelietojiet akumulatora lādētāju viegli uzliesmojošu materiālu vai materiālu, kas var izraisīt koroziju, tuvumā. Pārlicinieties, vai akumulatora lādētājs nav pārsegts. Ja konstatējat dūmus vai uguni, izraujiet akumulatora lādētāja kontaktspraudni.
- Uzlādējiet akumulatoru tikai tādās telpās, kur ir laba gaisa plūsma un kur akumulators nav pakļauts saules gaisma ietekmei. Neuzlādējiet akumulatoru ārpus telpām. Neuzlādējiet akumulatoru mitrumā.
- Akumulatora lādētāju izmantojiet tikai vietās, kur temperatūra ir no 5 °C (41 °F) līdz 40 °C (104 °F). Izmantojiet lādētāju labi vēdināmā un sausā vietā, kur nav putekļu.
- Neievietojiet nekādus priekšmetus akumulatora lādētāja dzesēšanas atverēs.
- Nekādā gadījumā akumulatora lādētāja spaiļes nesavienojiet ar metāla priekšmetiem, jo tas var izraisīt akumulatora lādētāja īssavienojumu.
- Izmantojiet apstiprinātas kontaktligzdas, kas nav bojātas. Pārlicinieties, ka akumulatora lādētāja

barošanas kabelis nav bojāts. Ja tiek izmantoti pagarinātāji, pārlicinieties, vai tie nav bojāti.

- Neizmantojiet akumulatoru lādētāju tādu akumulatoru uzlādei, kas nav atkārtoti uzlādējami.

Norādījumi par drošu apkopi



BRĪDINĀJUMS: Pirms veicat produkta apkopi, izlasiet brīdinājuma norādījumus.

- Noņemiet akumulatoru, pirms veicat apkopi, citas pārbaudes vai montējat produktu.
- Operators drīkst veikt tikai šajā lietotāja rokasgrāmatā norādītos apkopes un servisa darbus. Par plašākiem apkopes un servisa darbiem sazinieties ar jūsu apkopes nodrošinātāju.
- Neīrīet akumulatoru un tā lādētāju ar ūdeni. Spēcīgs mazgāšanas līdzeklis var radīt plastmasas bojājumus.
- Neveicot apkopi, samazinās produkta dzīves cikls un palielinās nelaimes gadījumu risks.
- Īpaša apmācība ir nepieciešama visiem apkopes un remontdarbiem, jo īpaši šī produkta drošības ierīcēm. Ja visas šajā lietotāja rokasgrāmatā norādītās pārbaudes netiek apstiprinātas pēc apkopes veikšanas, sazinieties ar apkopes nodrošinātāju. Mēs garantējam profesionālu remontdarbu un apkopes pieejamību jūsu produktam.
- Vienmēr izmantojiet tikai oriģinālās detaļas.

Montāža

Ievads



BRĪDINĀJUMS: Pirms izstrādājuma montāžas izlasiet un izprotiet drošības norādījumus.

Uzgaļa uzstādīšana

1. Uzlieciet uzgali dārza pūtēja priekšpusē. (Att. 26)
2. Iebīdiet uzgali, līdz atskan klikšķis.

Akumulatoru lādētāja (40-C80) uzstādīšana pie sienas



IEVĒROJIET: Neizmantojiet elektrisko skrūvgriezi akumulatoru lādētāja uzstādīšanai pie sienas. Elektrisks skrūvgriezis var izraisīt akumulatoru lādētāja bojājumus.

1. Piestipriniet akumulatoru lādētāju pie sienas ar 2 skrūvēm (A). Lietojiet dībeļus (B), ja nepieciešams. (Att. 27)
2. Atverēs ievietojiet 2 dībeļus (C).
3. Pievienojiet barošanas kabeļi (D) akumulatoru lādētājam un elektrotīkla kontaktligzdai.

Lietošana

Ievads



BRĪDINĀJUMS: Pirms produkta lietošanas izlasiet un izprotiet drošības norādījumus.

un pārliecinieties, vai saprotat to. Izlasiet arī akumulatora un akumulatora lādētāja komplektā iekļauto lietotāja rokasgrāmatu un pārliecinieties, vai izprotat to.

Darbības pārbaude pirms ierīces lietošanas

1. Pārbaudiet, vai gaisa ieplūdē nav netīrumu un plaisu. Izmantojiet suku un notīriet no ierīces zāli un lapas. Skatiet šeit: *Gaisa ieplūdes pārbaude lpp. 224.*
2. Pārbaudiet, vai ierīce darbojas pareizi.
3. Pārbaudiet visus uzgriežņus un skrūves un pārliecinieties, vai tās ir cieši pieskrūvētas.

Akumulators



BRĪDINĀJUMS: Pirms izmantojat akumulatoru, izlasiet nodaļu par drošību

Glabājiet akumulatoru un tā lādētāju pareizā apkārtējās vides temperatūrā.

	Apkārtējās vides temperatūra
Dārza pūtēja lietošana	-5 °C – 40 °C / 23 °F - 104 °F
Akumulatora uzlāde	5 °C – 40 °C / 41 °F - 104 °F

Akumulatora gaismas diodes indikators

Displejā ir redzams uzlādes līmenis un akumulatora problēmu ziņojumi, ja rodas kļūmes. (Att. 28)

LED indikators	Akumulatora stāvoklis (uzlādes stāvoklis)
	40-B140
Deg četras gaismas diodes	Akumulators ir uzlādēts 76–100% apmērā.
Deg trīs gaismas diodes	Akumulators ir uzlādēts 51–75% apmērā.
Deg divas gaismas diodes	Akumulators ir uzlādēts 26–50% apmērā.
Deg viena gaismas diode	Akumulators ir uzlādēts 6–25% apmērā.
Mirgo viena gaismas diode	Akumulatora ir uzlādēts 0–5% apmērā.

Akumulatora uzlāde

Ja akumulatoru lietojat pirmo reizi, uzlādējiet to. Jauns akumulators ir uzlādēts tikai par 30%.



IEVĒROJIET: Pievienojiet akumulatora lādētāju kontaktligzdai, kas atbilst datu plāksnītē norādītajam spriegumam un frekvencei.

Akumulators netiks uzlādēts, ja akumulatora temperatūra pārsniedz 50 °C/122 °F.

1. Pievienojiet barošanas kabeli akumulatoru lādētājam.
2. Pieslēdziet akumulatora lādētāju iezemētai barošanas kontaktligzdai. Uzlādes gaismas diode nomirgo vienu reizi. (Att. 29)

3. Pievienojiet akumulatoru pie lādētāja. Iedegas uzlādes gaismas diode. Akumulatora uzlādes laiks nedrīkst pārsniegt 24 stundas. (Att. 30)
4. Nospiediet akumulatora indikatora pogu, ja visas gaismas diodes iedegas; akumulators ir pilnībā uzlādēts.
5. Izraujiet barošanas kabeļa kontaktspraudni, lai atvienotu akumulatora lādētāju no barošanas kontaktligzdas. Nevelciet aiz barošanas kabeļa.
6. Izņemiet akumulatoru no lādētāja.

Akumulatora pievienošana ierīcei



BRĪDINĀJUMS: Izmantojiet tikai dārza pūtējam ieteikto Husqvarna akumulatoru.

1. Pārliecinieties, vai akumulators ir pilnībā uzlādēts.

2. Iebīdiēt akumulatoru akumulatora turētājā, līdz akumulators dzirdami fiksējas. Akumulatoram jāvirzās brīvi. Pretējā gadījumā tas nav ievietots pareizi. (Att. 31)

Ierīces ieslēgšana

1. Nospiediet un turiet ieslēgšanas pogu, līdz iedegas zaļas krāsas LED indikators. (Att. 32)
2. Darbiniet ierīci, izmantojot piedziņas mēlīti.

Optimālas gaisa plūsmas iestatīšana darbam

- Nospiediet ātruma vadības pogu, lai iestatītu gaisa plūsmu. Ir pieejami trīs gaisa plūsmas līmeņi. (Att. 33)

Ierīces apturēšana

1. Atlaidiet piedziņas mēlīti.
2. Turiet nospiestu ieslēgšanas/izslēgšanas pogu, līdz zaļās krāsas LED indikators nodziest.
3. Nospiediet atbrīvošanas pogu un izvelciet akumulatoru. (Att. 34)

Automātiskās izslēgšanās funkcija

Ierīce ir automātiskās izslēgšanās funkcija, kas aptur ierīci, ja tā netiek izmantota. Zaļās krāsas ieslēgšanas LED indikators nodziest, un ierīces darbība tiek apturēta pēc 3 minūtēm.

Tehnikā apkope

Ievads



BRĪDINĀJUMS: Pirms veicat apkopes darbības, izlasiet nodaļu par drošību un pārliecinieties, vai saprotat to.

Apkopes grafiks



BRĪDINĀJUMS: Pirms veicat apkopi, izņemiet akumulatoru.

Zemāk ir redzams izstrādājuma apkopes darbību saraksts.

Apkope	Katru dienu	Reizi nedēļā	Reizi mēnesī
Noīriet izstrādājumu ar tīru un sausu drāniņu. Neizmantojiet ūdeni.	X		
Pārbaudiet, vai rokturi ir sausi un tīri.	X		
Veiciet papildtastatūras pārbaudi.	X		
Pārbaudiet piedziņas mēlīti.	X		
Pārliecinieties, vai uzgriežņi un skrūves ir stingri pievilktas.	X		
Pārliecinieties, vai akumulators nav bojāts.	X		
Pārbaudiet akumulatora uzlādes līmeni.	X		
Pārbaudiet, vai akumulatora atbrīvošanas pogas nav bojātas un vai tās nofiksē akumulatoru izstrādājumā.	X		
Pārliecinieties, vai akumulatora lādētājs nav bojāts.	X		
Pārliecinieties, ka visi savienojumi, sakabes un kabeļi ir tīri un nebojāti.		X	
Pārbaudiet savienojumus uz akumulatora, uz akumulatora lādētāja un uz izstrādājuma.			X

Gaisa ieplūdes pārbaude

1. Pārliecinieties, vai gaisa ieplūdes atveres nav nosprostotas. (Att. 35)
2. Apturiet ierīci un, ja nepieciešams, noņemiet nevajadzīgo materiālu.



IEVĒROJIET: Bloķēta gaisa ieplūde samazina ierīces darbību un paaugstina motora darba temperatūru. Pārāk sakarstot, var notikt motora atteice.

Akumulatora un akumulatora lādētāja pārbaude

1. Pārbaudiet, vai akumulators nav bojāts, piemēram, vai tajā nav plaisu.
 2. Pārbaudiet, vai akumulatora lādētājs nav bojāts, piemēram, vai tajā nav plaisu.
 3. Pārliedzieties, vai akumulatora lādētāja savienojuma vads nav bojāts un vai tajā nav plaisu.
2. Tīriet akumulatoru un akumulatora lādētāju ar sausu drānu. Akumulatora vadotnes slīdēm ir vienmēr jābūt tīrām.
 3. Pārliedzieties, vai akumulatora un akumulatora lādētāja spaiļi ir tīras, pirms akumulators tiek ievietots akumulatora lādētājā vai produktā.

Produkta, akumulatora un akumulatora lādētāja tīršana

1. Pēc lietošanas tīriet produktu ar sausu drānu.

Problēmu novēršana

Tastatūra

LED ekrāns	Iespējamās kļūmes	Iespējamie risinājumi
Mirgo sarkanas krāsas kļūdas LED indikators	Temperatūras nobīde.	Ļaujiet ierīcei atdzist.
	Akumulatora savienotājos ir netīrumi vai ir bloķēts ventilators.	Tīriet ar saspīestu gaisu vai ar mīkstu suku.
	Akumulators ir tukšs.	Uzlādējiet akumulatoru.
	Akumulators ir bojāts.	Sazinieties ar apkopes dienesta pārstāvi.

Akumulators

LED ekrāns	Iespējamās kļūmes	Iespējamie risinājumi
Mirgo zaļas krāsas LED indikators.	Akumulators izlādējies.	Uzlādējiet akumulatoru.
Mirgo kļūdas LED indikators.	Temperatūras nobīde.	Izmantojiet akumulatoru šādā temperatūras diapazonā: -5 °C – 40 °C / 23 °F - 104 °F.
	Pārāk augsts spriegums.	Pārbaudiet, vai tīkla spriegums atbilst tam, kas norādīts dārza pūtēja datu plāksnītē. Izņemiet akumulatoru no akumulatora lādētāja.
Deg kļūdas LED indikators.	Pārāk liela elementu atšķirība (1 V).	Sazinieties ar apkopes pakalpojumu nodrošinātāju.

Akumulatora lādētājs

LED ekrāns	Iespējamās kļūmes	Iespējamie risinājumi
Uzlādes LED indikators deg sarkanā krāsā.	Akumulatoru lādētājs ir bojāts.	Sazinieties ar apkopes pakalpojumu nodrošinātāju.
Uzlādes LED indikators mirgo zaļā krāsā.	Akumulatora temperatūra ir ārpus uzlādes diapazona.	Ļaujiet akumulatoram atdzist vai sasilt. Kad akumulators ir sasniedzis pareizo temperatūru, to var atkal lietot vai uzlādēt. Izmantojiet akumulatora lādētāju, ja apkārtējās vides temperatūra ir šādā diapazonā: 5 °C – 40 °C / 41 °F - 104 °F.
Uzlādes LED indikators mirgo sarkanā krāsā.	Akumulators ir bojāts.	Sazinieties ar apkopes pakalpojumu nodrošinātāju.

Pārvadāšana, glabāšana un utilizēšana

Pārvadāšana un uzglabāšana

- Komplektācijā iekļautie litijs jonu akumulatori atbilst bīstamo preču normatīvu prasībām.
- Ievērojiet īpašās prasības, kas norādītas uz iepakojuma un uzlīmēm attiecībā uz komerciālu transportēšanu, kā arī trešo pušu un pārsūtīšanas uzņēmumu prasības.
- Pirms nogādāt ierīci, sazinieties ar bīstamo materiālu pārvadāšanas speciālistu. Ievērojiet visus spēkā esošos konkrētās valsts likumus.
- Kad ievietojat akumulatoru iepakojumā, uz atklātajiem kontaktiem uzlieciet līmlenti. Stingri ievietojiet akumulatoru iepakojumā, lai nepieļautu izkustēšanos.
- Transportēšanas vai uzglabāšanas nolūkos izņemiet akumulatoru.
- Novietojiet akumulatoru un akumulatora lādētāju sausā vietā, kuru neietekmē mitrums un sāls.
- Neglabājiet akumulatoru vietās, kur var rasties statiskā elektrība. Neglabājiet akumulatoru metāla kārbā.
- Novietojiet akumulatoru glabāšanai vietā, kur temperatūra ir diapazonā 5 °C / 41 °F and 25 °C / 77 °F un nav tiešas saules gaismas.
- Novietojiet akumulatora lādētāju glabāšanai vietā, kur temperatūra ir diapazonā 5 °C/41 °F and 45 °C/ 113 °F un nav tiešas saules gaismas.
- Izmantojiet akumulatora lādētāju tikai tad, ja apkārtējās vides temperatūra ir šādā diapazonā: 5 °C – 40 °C / 41 °F - 104 °F.

- Pirms akumulatoru novietošanai ilgstošai uzglabāšanai, uzlādējiet to par 30–50%.
- Novietojiet pūtēju uzglabāšanai vietā, kur temperatūra ir diapazonā no -40 °C/-40 °F līdz +60 °C/140 °F
- Novietojiet akumulatora lādētāju slēgtā un sausā vietā.
- Uzglabāšanas laikā neturiet akumulatoru lādētāja tuvumā. Neļaujiet bērniem un citām nepiederošām personām pieskarties aprīkojumam. Glabājiet aprīkojumu slēdzamā vietā.
- Nofīriet ierīci un veiciet pilnu apkopi, pirms novietojat to ilgstošai uzglabāšanai.
- Transportēšanas laikā droši nostipriniet ierīci.

Akumulatora, lādētāja un produkta likvidācija

Simboli uz izstrādājuma vai tā iepakojuma norāda, ka šis izstrādājums nav sadzīves atkritums. Utilizējiet to elektrisko un elektronisko ierīču pārstrādes uzņēmumā. Tādējādi tiek samazināta kaitīgā ietekme uz vidi un cilvēkiem.

Lai saņemtu papildinformāciju par izstrādājuma pārstrādi, sazinieties ar vietējām iestādēm, māsaimniecības atkritumu savākšanas pakalpojumu sniedzēju vai izplatītāju.

Tehniskie dati

Tehniskie dati

	122iB
Motors	
Motora tips	PMDC
Svars	
Svars bez akumulatora, kg	1,9
Trokšņa emisija, skaņas līmenis, ^{46 47}	
Skaņas jaudas līmenis, izmērītais dB (A)	92,2
Skaņas jaudas līmenis, garantētais L _{WA} dB (A)	93
Līdzīgs skaņas spiediena līmenis pie operatora auss, mērīts atbilstoši standarta EN IEC 62841-4-6 un ISO 22868 prasībām, dB (A):	82,8
Vibrācijas līmeņi ⁴⁸	
Vibrācijas līmeņi pie rokturiem mērīti atbilstoši standartam EN IEC 62841-4-6, m/s ²	1,13
Ventilatora darbība	
Maksimālais plūsmas ātrums, m ³ /h	865
Maksimālais teorētiskais ātrums, m/s	53
Pūšanas spēks, N	11

Trokšņa un vibrācijas dati tiek noteikti, ņemot vērā maksimālo nominālo ātrumu.

Piezīme: Norādītā vibrācijas kopējā vērtība un norādītās trokšņa emisijas vērtības ir mērītas saskaņā ar standarta pārbaudes metodi, un tās var izmantot, lai salīdzinātu vienu instrumentu ar citu.

Piezīme: Norādīto vibrācijas kopējo vērtību un norādītās trokšņa emisijas vērtības var izmantot arī sākotnējā ietekmes izvērtējumā.

Piezīme: Vibrācijas emisija un trokšņa emisija izstrādājuma faktiskās izmantošanas laikā var atšķirties no norādītās kopējās vērtības atkarībā no izstrādājuma izmantošanas veida. Ir jānosaka drošības pasākumi operatora aizsardzībai, pamatojoties uz iedarbības izvērtējumu faktiskajos lietošanas apstākļos. Aprēķinā iekļaujiet visas darbības cikla daļas, piemēram, laiku, kad izstrādājums ir izslēgts un kad tas darbojas dīkstāvē papildus palaišanas laikam.

Dārza pūtējam apstiprinātie akumulatori

Akumulators	40-B140
Tips	Litija jonu

⁴⁶ Trokšņa emisijai vidē, kas mērita kā trokšņa jauda (L_{WA}) atbilstoši EK direktīvas 2000/14/EK prasībām, ir tipiska 1,0 dB (A) statistiskā izkliede (standartnovirze).

⁴⁷ Sniegtajos datos par ekvivalenta skaņas spiediena līmeni ierīcei ir tipiska statistiskā 1,3 dB (A) izkliede (standartnovirze).

⁴⁸ Sniegtajos datos par vibrācijas līmeni tipiska statistiskā izkliede ir 1,5 m/s² (standarta novirze).

Akumulators	40-B140
Akumulatora ietilpība, Ah	Skatiet akumulatora datu uzlīmi
Nominālais spriegums, V	36
Svars, kg/mārc.	1,25/2,76

Apstiprinātie akumulatoru lādētāji

Akumulatora lādētājs	40-C80
Ievades spriegums, V	100-240
Frekvence, Hz	50-60
Jauda, W	72
Izejas spriegums, V, līdstrāva/ampēri, A	43/1,6

Atbilstības deklarācija

ES atbilstības deklarācija

Mēs, **Husqvarna AB**, SE-561 82 Huskvarna,
ZVIEDRIJA, tālr. +46-36-146500, ar pilnu atbildību
apliecinām, ka šis izstrādājums:

Apraksts	Rokas pūtējs ar akumulatora piedziņu
Zīmols	Husqvarna
Tips/modelis	122iB
Identifikācija	Sākot ar sērijas numuriem 2025

atbilst šādām papildinātām ES direktīvām un regulām:

Regula	Apraksts
2006/42/EK	"par mehānismiem"
2014/30/ES	"par elektromagnētisko savietojamību"
2011/65/ES	"par dažu bīstamu vielu izmantošanas ierobežošanu elektriskās un elektroniskās iekārtās"
2000/14/EK	"par trokšņa emisiju vidē"

un ir ievēroti zemāk norādītie saskaņotie standarti un/vai
tehniskie dati: EN 62841-1:2015/A11:2022, EN IEC
62841-4-6:2024/A11:2024, EN IEC 63000:2018

EN IEC 55014-1:2021, EN IEC 55014-2:2021

Atbilstoši direktīvas 2000/14/EK V pielikumam paziņotās
skaņas vērtības skatiet šeit: *Tehniskie dati lpp. 227.*

Huskvarna, 2025-11-03

Claes Losdal, izpētes un attīstības nodaļas vadītājs,
Husqvarna AB

Atbildīgais par tehnisko dokumentāciju



Inhoud

Inleiding.....	229	Probleemoplossing.....	240
Veiligheid.....	231	Vervoer, opslag en verwerking.....	241
Montage.....	236	Technische gegevens.....	241
Werking.....	237	Verklaring van overeenstemming.....	244
Onderhoud.....	238		

Inleiding

Productoverzicht

(Fig. 1)

1. Blaasmondstuk

2. Ontgrendelknop voor het blaasmondstuk
3. Toetsenbord
4. Activeringsschakelaar
5. Handgreep
6. ON/OFF-knop vermogen
7. Vermogenindicator
8. Waarschuwingsindicator fout-led
9. Toerentalregelknop
10. Steunen
11. Accu-indicatieknop
12. Accustatus
13. Waarschuwingslampje accu
14. Accuontgrendelknop
15. Accu
16. Spannings- en waarschuwingslampje
17. Connector
18. Acculader 40-C80
19. Gebruikershandleiding

Productbeschrijving

De Husqvarna 122iB is een blazer met een elektromotor.

Beoogd gebruik

Dit product is een betrouwbare en gebruiksvriendelijke handblazer voor alle blaas- en algemene schoonmaaktaken in huis en tuin.

Symbolen op het product

- (Fig. 2) **WAARSCHUWING:** Dit product kan gevaarlijk zijn en ernstig of fataal letsel toebrengen aan de gebruiker of anderen. Wees voorzichtig en gebruik het product op de juiste manier.
- (Fig. 3) Lees de bedieningshandleiding zorgvuldig door en zorg dat u de instructies hebt begrepen voordat u het product gaat gebruiken.
- (Fig. 4) Gebruik goedgekeurde oogbescherming.
- (Fig. 5) **WAARSCHUWING** - Houd omstanders uit de buurt.
- (Fig. 6) Stel het product niet bloot aan regen.
- (Fig. 7) Geluidsemissies naar het omgevingslabel volgens de richtlijnen en voorschriften van de EU en de wetgeving van Nieuw-Zuid-Wales "Protection of the Environment Operations (Noise Control) Regulation 2017". Het gegarandeerde geluidsvermogensniveau van het product staat vermeld in *Technische gegevens op pagina 241* en op het label.

(Fig. 8) Het product of de verpakking ervan is geen huishoudelijk afval. Lever het in bij een recyclepunt voor elektrische en elektronische apparatuur.

(Fig. 9) Het product voldoet aan de geldende EG-richtlijnen.

(Fig. 10) Nominale spanning, V

(Fig. 11) Gelijkstroom.

yyyy wwxxxx | Het serienummer staat op het productplaatje. **yyyy** is het productiejaar, **ww** is de productieweek en **xxxx** is het serienummer.

Let op: Overige op de machine aangegeven symbolen/plaatjes verwijzen naar specifieke eisen aan certificering voor bepaalde markten.

Symbolen op de accu en/of op de accuhouder

- (Fig. 12) Faalveilige transformator.
- (Fig. 13) Bewaar en gebruik de acculader alleen binnen.
- (Fig. 14) Dubbele isolatie.

Lever dit product in bij een recyclepunt voor elektrische en elektronische apparatuur. (Alleen geldig voor Europa)

(Fig. 15)

Schade aan het product

We zijn niet verantwoordelijk voor schade aan ons product als:

- het product niet goed is gerepareerd.
- het product is gerepareerd met onderdelen die niet van de fabrikant afkomstig zijn, of onderdelen die niet zijn goedgekeurd door de fabrikant.
- het product een accessoire bevat dat niet afkomstig is van de fabrikant of niet is goedgekeurd door de fabrikant.
- het product niet is gerepareerd door een erkend servicepunt of door een erkende autoriteit.

Fabrikant

Husqvarna AB
Drottninggatan 2, SE-561 82 Huskvarna

Veiligheid

Veiligheidsdefinities

Waarschuwingen, voorzorgsmaatregelen en opmerkingen worden gebruikt om te wijzen op belangrijke delen van de handleiding.



WAARSCHUWING: Wordt gebruikt om te wijzen op de kans op ernstig of fataal letsel voor de gebruiker of omstanders wanneer de instructies in de handleiding niet worden gevolgd.



OPGELET: Wordt gebruikt indien er een risico bestaat op schade aan het product en andere eigendommen of aan de omgeving wanneer de instructies in de handleiding niet worden gevolgd.

Let op: Geven verdere informatie die nodig is in een bepaalde situatie.

Algemene veiligheidsaanwijzingen voor machines



WAARSCHUWING: Lees alle veiligheidsaanwijzingen, instructies, illustraties en specificaties voor deze machine. *Het niet opvolgen van ieder van de onderstaande instructies kan leiden tot elektrische schokken, brand en/of ernstig letsel.*

Bewaar alle waarschuwingen en instructies voor later gebruik.

Let op: *Het in de veiligheidsaanwijzingen gebruikte begrip "machine" heeft betrekking op machines die met netspanning worden gebruikt (met een netsnoer) en op machines die op een accu werken (zonder netsnoer).*

Veiligheid van het werkgebied

- **Zorg ervoor dat de werkplek schoon en goed verlicht is.** In rommelige of donkere gebieden gebeuren eerder ongelukken.
- **Gebruik de machine niet in een explosieve atmosfeer, zoals een omgeving waarin zich ontvlambare vloeistoffen, gassen of stof bevinden.** Machines veroorzaken vonken die stof of dampen kunnen doen ontbranden.
- **Houd kinderen en andere personen tijdens het gebruik van de machine op afstand.** U kunt de controle over het apparaat verliezen als u afgeleid wordt.

Elektrische veiligheid

- **De aansluitstekkers van de machine moeten in het stopcontact passen. Wijzig nooit de stekker. Gebruik geen adapterstekkers samen met geaarde machines.** Ongewijzigde stekkers en overeenkomende stopcontacten verkleinen het risico op elektrische schokken.
- **Vermijd lichamelijk contact met geaarde oppervlakken, zoals buizen, radiatoren, fornuizen en koelkasten.** Er is een verhoogd risico op elektrische schokken als uw lichaam geaard is.
- **Houd machines uit de buurt van regen of vocht.** Het binnendringen van water in een machine verhoogt het risico op een elektrische schok.
- **Gebruik de kabel niet voor oneigenlijke doeleinden. Gebruik de kabel nooit om de machine te dragen, te trekken of om de stekker uit het stopcontact te trekken. Houd de kabel uit de buurt van warmte, olie, scherpe randen en bewegende onderdelen.** Beschadigde of in de knoop geraakte kabels verhogen het risico op elektrische schokken.
- **Wanneer u met een machine in de openlucht werkt, dient u alleen verlengsnoeren te gebruiken die ook geschikt zijn voor gebruik buitenshuis.** Het gebruik van een kabel die geschikt is voor gebruik buitenshuis, vermindert het risico op elektrische schokken.
- **Als gebruik van een machine in een vochtige omgeving onvermijdelijk is, gebruik dan een netvoeding met aardlekschakelaar (RCD).** Het gebruik van een aardlekschakelaar vermindert het risico op elektrische schokken.

Persoonlijke veiligheid

- **Wees attent! Let op wat u doet en ga verstandig aan het werk met een machine. Gebruik geen machine wanneer u moe bent of onder invloed staat van drugs, alcohol of medicijnen.** Eén moment van onoplettendheid bij het gebruik van machines kan leiden tot ernstige verwondingen.
- **Maak altijd gebruik van persoonlijke beschermingsmiddelen. Draag altijd oogbescherming.** Beschermingsmiddelen zoals een stofmasker, veiligheidsschoenen met antislipprofiel, een veiligheidshelm of gehoorbescherming in relevante werkomstandigheden beperken letsel.
- **Voorkom een onbedoelde start. Zorg ervoor dat de schakelaar in de stand OFF staat voordat u de machine aansluit op een spanningsbron en/of accupack, oppakt of draagt.** Wanneer u uw vingers tijdens het dragen van machines op de schakelaar houdt of de machine ingeschakeld op de stroomvoorziening aansluit, kan dat leiden tot ongevallen.
- **Verwijder instelgereedschappen of stelsleutels voordat u de machine inschakelt.** Gereedschap

of sleutels die zich in een draaiend onderdeel van de machine bevinden, kunnen verwondingen veroorzaken.

- **Vorkom overstrekken. Zorg dat u te allen tijde stevig en in balans staat.** Daardoor hebt u de machine in onverwachte situaties beter onder controle.
- **Draag geschikte kleding. Draag geen losse kleding of sieraden. Houd uw haar en kleding uit de buurt van bewegende onderdelen.** Losse kleding, sieraden of lang haar kunnen verstrikt raken in bewegende onderdelen.
- **Als de mogelijkheid bestaat voor het opvangen van stof moet u ervoor zorgen dat deze is aangesloten en op de juiste wijze wordt gebruikt.** Het gebruik van stofopvang kan stofgerelateerde gevaren beperken.
- **Laat de vertrouwdheid met de door u gebruikte machines door het frequente gebruik ervan niet toe leiden dat u de veiligheidsprincipes negeert.** Een onzorgvuldige handeling kan binnen een fractie van een seconde leiden tot ernstig letsel.

Gebruik en behandeling van machine

- **Overbelast de machine niet. Gebruik de juiste machine voor uw toepassing.** Met de juiste machine werkt u beter en veiliger binnen het vermelde vermogensbereik.
- **Gebruik geen machine waarvan de schakelaar defect is.** Machines die niet meer in- of uitgeschakeld kan worden, zijn gevaarlijk en moeten worden gerepareerd.
- **Haal de stekker uit het stopcontact en/of verwijder het accupack, indien verwijderbaar, van de machine voordat u aanpassingen maakt, accessoires verwisselt of machines opbergt.** Deze voorzorgsmaatregel verhindert dat de machine onopzettelijk start.
- **Berg ongebruikte machines buiten reikwijdte van kinderen op. Laat de machine niet gebruiken door personen die hiermee niet vertrouwd zijn of die deze instructies niet hebben gelezen.** Machines zijn gevaarlijk wanneer ze door onervaren personen worden gebruikt.
- **Voer onderhoud uit op machines en accessoires. Controleer op onjuiste montage of vastlopen van bewegende delen, gebroken onderdelen en andere condities die de werking van de machine kunnen beïnvloeden. Laat beschadigde onderdelen repareren alvorens de machine te gebruiken.** Veel ongevallen vinden hun oorzaak in slecht onderhouden machines.
- **Houd snijmachines scherp en schoon.** Goed onderhouden snijmachines met scherpe snijranden zullen minder gauw vastlopen en zijn eenvoudiger onder controle te houden.
- **Gebruik de machine, accessoires, bits en dergelijke overeenkomstig deze instructies. Houd daarbij rekening met de werkomstandigheden en de uit te voeren werkzaamheden.** Het gebruik van

de machine voor andere dan de voorziene toepassingen kan leiden tot gevaarlijke situaties.

- **Houd de handgrepen en grijppoppervlakken droog, schoon en vrij van olie en vet.** Gladde handgrepen en handgriepvlakken maken in onverwachte situaties geen veilige bediening en controle van het elektrische gereedschap mogelijk.

Gebruik en onderhoud van machines met accuvoeding

- **Laad het gereedschap alleen op met de lader die door de fabrikant is gespecificeerd.** Een lader die voor een bepaald type accu geschikt is, kan een risico op brand creëren als de lader met een andere accu wordt gebruikt.
- **Gebruik alleen de accupacks die bestemd zijn voor de bijbehorende machine.** Als er andere accupacks worden gebruikt, bestaat er risico op letsel en brand.
- **Als het accupack niet gebruikt wordt, houd hem dan uit de buurt van andere metalen voorwerpen, zoals paperclips, munten, sleutels, spijkers, schroeven of andere kleine metalen voorwerpen die een verbinding tussen de twee klemmen kunnen maken.** Als er kortsluiting tussen de accuaansluitingen ontstaat, kunnen er brandwonden of brand ontstaan.
- **Als het accupack verkeerd wordt gebruikt, kan er vloeistof uit de accu komen; zorg dat u deze niet aanraakt. Als u per ongeluk in contact komt met de vloeistof, afspoelen met water. Als er vloeistof in de ogen komt dient u medische hulp in te roepen.** Vloeistof die uit de accu komt kan irritatie of brandwonden veroorzaken.
- **Gebruik geen accu of machine die is beschadigd of aangepast.** Beschadigde of aangepaste accu's kunnen onvoorspelbaar gedrag vertonen, wat kan leiden tot brand, explosies of letsel.
- **Stel de accu of machine niet bloot aan vuur of hoge temperaturen.** Blootstelling aan vuur of temperaturen hoger dan 130 °C kan een explosie veroorzaken.
- **Volg alle oplaadinstructies op en laad de accu of machine niet op bij temperaturen die buiten het in de instructies gespecificeerde bereik liggen.** Door onjuist opladen of opladen bij temperaturen die buiten het gespecificeerde bereik liggen, kan de accu beschadigd raken en neemt het risico op brand toe.

Service

- **Laat uw machine onderhouden door een gekwalificeerde onderhoudsmonteur met gebruikmaking van uitsluitend identieke vervangende onderdelen.** Hierdoor blijft de veiligheid van de machine gehandhaafd.
- **Voer nooit onderhoud uit aan beschadigde accupacks.** Onderhoud aan accupacks mag alleen worden uitgevoerd door de fabrikant of geautoriseerde dienstverleners.

Veiligheidswaarschuwingen tuinblazer

- **Gebruik de tuinblazer niet bij slechte weersomstandigheden, vooral wanneer er een risico op bliksem bestaat.** Dit vermindert het risico op blikseminslag.
- **Draag oogbescherming.** Door geschikte beschermende uitrusting te dragen verkleint u het risico op letsel.
- **Draag tijdens het gebruik van de tuinblazer altijd beschermend schoeisel met antislipzool. Bedien de tuinblazer niet op blote voeten of terwijl u open schoenen draagt.** Dit verlaagt het risico op letsel aan de voeten.
- **Draag geen loszittende kleding of artikelen zoals sjaals, touwtjes, kettingen, stropdassen, enz. die in de luchtinlaten gezogen kunnen worden. Bind lang haar vast of bedek het, om te voorkomen dat het in de luchtinlaten wordt gezogen.** Als een van deze voorwerpen in de luchtinlaten wordt gezogen, kan dit het risico op letsel vergroten.
- **Houd omstanders uit de buurt tijdens het bedienen van de tuinblazer.** Weggeslingerd vuil kan het risico op letsel vergroten.
- **Richt het mondstuk van de bladblazer nooit in de richting van mensen of huisdieren of in de richting van ramen. Wees extra voorzichtig bij het blazen van vuil in de buurt van solide voorwerpen, zoals bomen, auto's en muren, waartegen vuil kan afketsen.** Weggeslingerde voorwerpen kunnen eigendommen beschadigen en het risico op letsel vergroten.
- **Gebruik de tuinblazer niet om brandende of rokende voorwerpen weg te blazen, zoals sigaretten, lucifers of hete as.** Deze ontstekingsbronnen kunnen het brandgevaar vergroten.
- **Raak de ventilator niet aan terwijl deze nog in beweging is. Schakel de tuinblazer uit en wacht tot de ventilator stopt voordat u onderdelen verwijderd die toegang kunnen geven tot de ventilator.** Dit verlaagt het risico op letsel door bewegend delen.
- **Zorg dat de aan-uitschakelaar is uitgeschakeld wanneer u vastgelopen materiaal verwijderd of onderhoud aan de tuinblazer uitvoert.** Indien de tuinblazer onverwacht wordt gestart tijdens het verwijderen van vastgelopen materiaal of onderhoud, kan dit leiden tot ernstig letsel.

Algemene veiligheidsinstructies



WAARSCHUWING: Lees de volgende waarschuwingen voordat u het product gaat gebruiken.

- Dit product is gevaarlijk als het verkeerd wordt gebruikt, of als u niet voorzichtig bent. Letsel of overlijden kunnen het gevolg zijn als u de veiligheidsvoorschriften negeert.
- Dit product produceert tijdens bedrijf een elektromagnetisch veld. Dit veld kan onder bepaalde omstandigheden de werking van actieve of passieve

medische implantaten verstoren. Om het risico op ernstig of dodelijk letsel te beperken, raden wij personen met een medisch implantaat aan om contact op te nemen met hun arts en de fabrikant van het medische implantaat alvorens dit product te gaan gebruiken.

- Wees altijd voorzichtig en gebruik uw gezond verstand. Als u niet zeker weet hoe u het product moet bedienen in een bepaalde situatie, stop dan en informeer bij uw Husqvarna dealer voordat u verdergaat.
- Denk erom dat de bediener of gebruiker verantwoordelijk is voor ongelukken of beschadigingen aan eigendommen.
- Houd het product schoon. Zorg ervoor dat u de aanduidingen en stickers duidelijk kunt lezen.
- Laat kinderen of mensen die niet bekend zijn met deze gebruiksaanwijzing het apparaat niet gebruiken. Er kunnen plaatselijke regels zijn met betrekking tot de minimumleeftijd voor het bedienen van dit apparaat.
- Houd personen met een lichamelijke of geestelijke beperking die het product gebruiken, altijd in de gaten. Er moet te allen tijde een verantwoordelijke volwassene aanwezig zijn.
- Gebruik het product nooit als u moe of ziek bent, of onder invloed van alcohol, drugs of medicijnen verkeert. Dit heeft een negatief effect op uw visie, alertheid, coördinatie en oordeel.
- Gebruik het product niet als het beschadigd is of niet correct werkt.
- Wijzig dit product niet of gebruik het niet als het door anderen kan zijn gewijzigd.

Werkveiligheid



WAARSCHUWING: Lees de volgende waarschuwingen voordat u het product gaat gebruiken.

- Maak altijd gebruik van persoonlijke beschermingsmiddelen. Raadpleeg *Persoonlijke beschermingsuitrusting* op pagina 235.
- Zorg ervoor dat u weet hoe u de motor in een noodsituatie snel kunt stoppen.
- Gebruik het product niet in regen of natte omstandigheden. Het risico van een elektrische schok neemt toe als water het product binnendringt.
- Blijf altijd achter het product wanneer u het gebruikt.
- Til het product nooit op terwijl de motor draait. Als u het product moet optillen, zet u eerst de motor uit en verwijderd u de accu.
- Loop niet achteruit wanneer u het product bedient.
- Stop de motor als het product moet worden gekanteld voor transport of voordat u dit over gebieden zonder gras beweegt, zoals grind-, stenen- en asfaltpaden.

- Loop niet hard met het product wanneer de motor is ingeschakeld. Loop altijd rustig wanneer u het product bedient.
- De trillingen in het product tijdens het bedrijf kunnen anders zijn dan de opgegeven trillingswaarde in *Technische gegevens op pagina 241*. Het verschil wordt veroorzaakt door variaties in productgebruik. Als u het product regelmatig of gedurende langere tijd gebruikt, moet u regelmatig onderbrekingen inlassen om letsel door trillingen te voorkomen.

Veiligheidsinstructies voor bediening



WAARSCHUWING: Lees de volgende waarschuwingen voordat u het product gaat gebruiken.

- Wanneer u in een situatie belandt waarin u niet goed weet hoe u verder te werk moet gaan, moet u een expert raadplegen. Wend u tot uw dealer of uw servicewerkplaats. Gebruik de machine nooit voor taken waarvoor u niet voldoende gekwalificeerd bent.
- Zorg ervoor dat u veilig kunt gaan en staan. Controleer of er eventuele hindernissen zijn als u onverwacht snel moet kunnen weggomen (wortels, stenen, takken, kuilen, greppels enz.). Wees extra voorzichtig wanneer u op hellend terrein werkt.
- Zorg steeds voor een goede balans en een stabiele houding. Voorkom overstrekken.
- Let als u gehoorbescherming draagt op waarschuwingssignalen of geschreeuw. Doe uw gehoorbescherming altijd af zodra het product is gestopt.
- Gebruik het product niet in de buurt van geopende ramen.
- Houd rekening met de mensen in uw omgeving door het product niet te gebruiken op ongebruikelijke tijdstippen, bijvoorbeeld 's avonds laat of 's morgens vroeg. Volg de plaatselijke regelgeving en verordeningen.
- Gebruik het product met een zo laag mogelijke luchtstroom. Het is zelden nodig om de volledige luchtstroom te gebruiken. Veel werkzaamheden kunnen met de halve luchtstroom uitgevoerd worden. Een lagere luchtstroom zorgt voor minder lawaai en minder stof. Bovendien vliegt het verzamelde/verplaatste afval dan ook niet alle kanten op.
- Maak onder stoffige omstandigheden het oppervlak enigszins vochtig als u het product gebruikt.
- Gebruik een hark of een bezem om het vastzittende vuil van de grond los te maken.
- Houd de mond van de blaaspijp zo dicht mogelijk bij de grond.
- Wees u bewust van uw omgeving. Richt het product weg van mensen, dieren, speelplaatsen en auto's enz.

- Beperk de blaastijd tot een minimum door stoffige gebieden met behulp van sproeiapparatuur te bevochtigen.
- Let op de windrichting. Werk met de wind mee om uw werk te vergemakkelijken.
- Stop het product en verwijder de accu als het product abnormaal gaat trillen.
- Het is tijdrovend om de bladblazer te gebruiken om grote bergen te verplaatsen en het creëert onnodig lawaai.
- Ruim uw rommel op. Vergewis u ervan dat u geen vuil op het erf van iemand anders heeft geblazen.
- Ren niet met het product.
- De krachtige luchtstroom kan voorwerpen met zo'n snelheid verplaatsen dat ze terug kunnen stuiteren en ernstig letsel aan uw ogen kunnen veroorzaken.

(Fig. 16)

- Richt de luchtstroom nooit op mensen of dieren.
- Zet de motor uit voordat u accessoires of andere onderdelen monteert of demonteert.
- Houd alle lichaamsdelen uit de buurt van hete oppervlakken.
- Leg het product nooit neer terwijl het is geactiveerd, tenzij u er goed zicht op hebt.
- De bladblazer mag niet worden gebruikt op ladders of steigers.

(Fig. 17)

- Gebruik het product nooit zonder de mogelijkheid hulp in te roepen in geval van nood.
- Kijk uit voor wegschietende objecten. Stenen, afval, enzovoort kunnen omhoog schieten in uw ogen en blindheid of ernstig letsel veroorzaken.
- Gebruik voor een betere veiligheid een aardlekschakelaar wanneer u het product oplaadt. Er is een aardlekschakelaar aangebracht ter bescherming van gebruikers bij een eventuele elektrische storing.
- Dit product staat bekend om haar lage trilbelasting. Als men teveel wordt blootgesteld aan trillingen, kan dit tot bloedvat- en zenuwbeschadigingen leiden bij personen die een slechte bloedsomloop hebben. Consulteer uw dokter wanneer u symptomen heeft die wijzen op te grote blootstelling aan trillingen. Voorbeelden van zulke symptomen zijn slapen, geen gevoel, 'kriebels', 'speldeprikken', pijn, geen of minder kracht, huidverkleuringen of veranderingen van het huidoppervlak. Deze symptomen komen meestal voor op vingers, handen of polsen.
- Gebruik het product alleen voor het beoogde doel.
- Het is niet mogelijk om elke mogelijke situatie te vermelden. Wees altijd voorzichtig en gebruik uw gezond verstand. Vermijd situaties die uw capaciteiten te boven gaan. Als u na het lezen van deze instructies nog vragen hebt over de bedieningsprocedures dient u een expert te raadplegen voordat u verder gaat.

- Gebruik altijd de linker-/rechterhand om het product vast te houden. Houd het product naast uw lichaam.

(Fig. 18)

Persoonlijke beschermingsuitrusting



WAARSCHUWING: Lees de volgende waarschuwingen voordat u het product gaat gebruiken.

- Draag tijdens het gebruik van het product altijd goedgekeurde persoonlijke beschermingsuitrusting. Persoonlijke beschermingsuitrusting kunnen niet alle risico's uitsluiten maar kunnen de ernst van eventueel letsel helpen beperken. Vraag uw dealer u te helpen bij het kiezen van de juiste beschermingsmiddelen.
- Gebruik goedgekeurde gehoorbescherming.

(Fig. 19)

- Gebruik goedgekeurde oogbescherming. Als u een vizier gebruikt, moet u ook een goedgekeurde veiligheidsbril gebruiken. Een goedgekeurde veiligheidsbril moet voldoen aan de norm ANSI Z87.1 voor de VS of EN 166 voor de EU-landen.

(Fig. 20)

- Gebruik indien nodig handschoenen.

(Fig. 21)

- Gebruik beschermende laarzen met stalen neuzen en antislipzolen.

(Fig. 22)

- Gebruik kleding van stevige stof. Gebruik altijd een zware lange broek en lange mouwen. Gebruik geen loszittende kleding die gemakkelijk kan blijven haken aan takjes en struikgewas. Gebruik geen sieraden, korte broeken of sandalen. Werk nooit met blote voeten. Bind voor de veiligheid lang haar samen tot boven schouderhoogte.
- Houd een EHBO-does binnen handbereik.

(Fig. 23)

Veiligheidsvoorzieningen op het product



WAARSCHUWING: Lees de volgende waarschuwingen voordat u het product gaat gebruiken.

- In dit hoofdstuk worden de veiligheidsvoorzieningen van het product beschreven, welke functie ze hebben en hoe controles en onderhoud moeten worden uitgevoerd om hun goede werking te waarborgen. Zie de instructies onder het kopje *Productoverzicht op pagina 229* om te zien waar deze onderdelen zich bevinden op uw product.
- De levensduur van het product kan worden verkort en het risico op ongevallen kan toenemen wanneer het onderhoud van het product niet op de juiste manier plaatsvindt en wanneer service

en/of reparaties niet vakkundig worden uitgevoerd. Indien u meer informatie nodig hebt, verzoeken wij u contact op te nemen met de dichtstbijzijnde onderhoudsdealer.

- Gebruik een product nooit wanneer de veiligheidsvoorzieningen beschadigd zijn. De veiligheidsuitrusting van het product moet geïnspecteerd en onderhouden worden zoals beschreven in dit hoofdstuk. Als uw product een van deze controles niet doorstaat, moet u contact opnemen met uw servicewerkplaats om uw unit te laten repareren.
- Om service en reparaties aan het product uit te voeren, moet u een speciale opleiding hebben. Dit geldt met name voor de veiligheidsuitrusting van het product. Als uw product een van de volgende controles niet goed doorstaat, moet u ermee naar uw servicewerkplaats gaan. Als u één van onze producten koopt, garanderen wij de beschikbaarheid van professionele reparaties en onderhoud. Als u uw product hebt gekocht bij één van onze dealers die geen servicewerkplaats heeft, vraag dan waar de dichtstbijzijnde erkende werkplaats is.

Toetsenbord controleren

1. Houd de ON/OFF-knop (A) ingedrukt totdat de vermogenindicator (B) gaat branden. (Fig. 24)
2. Raadpleeg *Probleemoplossing op pagina 240* als het waarschuwingslampje (C) brandt of knippert.

Activeringsschakelaar controleren

- Druk de activeringsschakelaar kort in om te controleren of deze vrij beweegt. (Fig. 25)

Veiligheid bij accu's



WAARSCHUWING: Lees de volgende waarschuwingen voordat u het product gaat gebruiken.

- De aanbevolen accu is 40-B series. De accu's zijn voorzien van softwarematige encryptie.
- Gebruik de oplaadbare 40-B series-accu uitsluitend als een voedingsbron voor de bijbehorende producten van Husqvarna. Gebruik de accu niet als voedingsbron voor andere apparaten, om letsel te voorkomen.
- Risico van elektrische schok. Breng de accuklemmen niet in contact met sleutels, schroeven of ander metaal. Dit kan kortsluiting van de accu veroorzaken.
- Gebruik geen batterijen die niet oplaadbaar zijn.
- Plaats geen voorwerpen in de luchtspleten van de accu.
- Bescherm de accu tegen direct zonlicht, warmte of open vuur. De accu kan brandwonden en/of chemische brandwonden veroorzaken.
- Bescherm de accu tegen regen en vocht.

- Houd de accu uit de buurt van magnetrons en hoge druk.
- Probeer de accu niet te demonteren of te slopen.
- Laat accuzuur niet in contact komen met uw huid. Accuzuur kan verwondingen aan de huid, corrosie en brandplekken veroorzaken. Wrijf niet in uw ogen wanneer u accuzuur in uw ogen krijgt, maar spoel uw ogen minstens 15 minuten met water. Als accuzuur in contact is gekomen met uw huid, moet u de huid reinigen met veel water en zeep. Roep medische hulp in.
- Gebruik de accu bij temperaturen tussen -10 °C (14 °F) en 40 °C (104 °F).
- Reinig de accu of acculader nooit met water. Zie *Product, accu en acculader reinigen op pagina 239*.
- Gebruik geen beschadigde accu.
- Sla accu's op uit de buurt van metalen voorwerpen, bijvoorbeeld spijkers, schroeven en sieraden.
- Houd de accu buiten het bereik van kinderen.

Veiligheidsvoorschriften voor acculader



WAARSCHUWING: Lees de volgende waarschuwingen voordat u het product gaat gebruiken.

- Risico van elektrische schok of kortsluiting wanneer de veiligheidsinstructies niet worden opgevolgd.
- Gebruik geen andere acculader dan die bij uw product is geleverd. Gebruik uitsluitend 40-C80-laders wanneer u vervangende accu's uit de 40-B-serie oplaadt.
- Probeer de acculader niet te demonteren.
- Gebruik de acculader niet als deze beschadigd is of niet correct werkt.
- Til de acculader niet op aan de voedingskabel. Trek aan de stekker om de acculader uit de wandcontactdoos te halen. Trek niet aan de voedingskabel.
- Houd alle kabels en verlengsnoeren uit de buurt van water, olie en scherpe kanten. Let op dat de kabel niet bekneld raakt tussen objecten zoals deuren, hekken en dergelijke.
- Gebruik de acculader niet in de buurt van brandbare materialen of materialen die corrosie kunnen veroorzaken. Controleer of de acculader niet is afgedekt. Haal de stekker van de acculader uit de wandcontactdoos bij rookontwikkeling of brand.
- De accu mag alleen binnenshuis worden opgeladen op een plek met voldoende ventilatie en zonder

direct zonlicht. Laad de accu niet buiten op. Laad de accu niet op in vochtige omstandigheden.

- Gebruik de acculader alleen op plekken met een temperatuur tussen 5 °C (41 °F) en 40 °C (104 °F). Gebruik de lader in een omgeving die goed geventileerd, droog en stofvrij is.
- Plaats geen voorwerpen in de koelspleten van de acculader.
- Verbind de contacten van de acculader niet met metalen objecten, omdat dit kortsluiting in de acculader kan veroorzaken.
- Gebruik goedgekeurde stopcontacten die niet beschadigd zijn. Controleer of de voedingskabel van de acculader niet beschadigd is. Als er verlengkabels worden gebruikt, zorg er dan voor dat deze niet beschadigd zijn.
- Laad niet-oplaadbare accu's niet op in de acculaders.

Veiligheidsinstructies voor onderhoud



WAARSCHUWING: Lees de volgende waarschuwingen voordat u onderhoud aan het product gaat uitvoeren.

- Verwijder de accu voordat u onderhoud of andere controles uitvoert, of het product demonteert.
- De gebruiker mag alleen de onderhouds- en servicewerkzaamheden uitvoeren die in deze bedieningshandleiding zijn beschreven. Ga naar uw servicedealer voor verdergaande service- of onderhoudswerkzaamheden.
- Reinig de accu of acculader nooit met water. Sterke reinigingsmiddelen kunnen schade aan het kunststof veroorzaken.
- Als u geen onderhoud uitvoert, verkort dit de levenscyclus van het product en vergroot het risico op ongevallen.
- Voor alle service en reparaties is speciale training vereist, vooral voor de veiligheidsvoorzieningen op het product. Als niet alle controles in deze bedieningshandleiding een goed resultaat geven nadat u onderhoud hebt uitgevoerd, ga dan naar uw servicedealer. Wij garanderen dat u daar professionele reparaties en service voor uw product krijgt.
- Gebruik alleen originele reserveonderdelen.

Montage

Inleiding



WAARSCHUWING: Zorg dat u het hoofdstuk over veiligheid hebt gelezen en begrepen voordat u het apparaat monteert.

Het mondstuk installeren

1. Zet het mondstuk op het voorste uiteinde van het product. (Fig. 26)
2. Druk het mondstuk in totdat u een klik hoort.

De acculader 40-C80 aan de wand bevestigen

schroevendraaier kan de acculader beschadigen.



OPGELET: Gebruik geen elektrische schroevendraaier om de acculader aan de wand te bevestigen. Een elektrische

1. Bevestig de acculader met de 2 schroeven (A) aan de wand. Gebruik wandpluggen (B) indien nodig. (Fig. 27)
2. Plaats de 2 schroefgatpluggen (C).
3. Sluit de voedingskabel (D) aan op de acculader en een stopcontact.

Werking

Inleiding



WAARSCHUWING: Zorg dat u het hoofdstuk over veiligheid hebt gelezen en begrepen voordat u het product gebruikt.

over veiligheid te lezen en hebben begrepen. Zorg er ook voor dat u de bedieningshandleiding bij de accu en de acculader hebt gelezen en begrepen.

De werking controleren voordat u het product gebruikt

1. Controleer de luchtinlaat op vuil en scheuren. Gebruik een borstel en verwijder gras en bladeren van het product. Zie *Luchtinlaat controleren op pagina 239*.
2. Controleer of het product correct werkt.
3. Controleer alle moeren en schroeven en zorg ervoor dat ze goed vastzitten.

Houd de accu en de acculader in de correcte omgevingstemperaturen.

	Omgevingstemperatuur
Gebruik van het product	-5 °C – 40 °C / 23 °F - 104 °F
Accu laden	5 °C – 40 °C / 41 °F - 104 °F

Accu



WAARSCHUWING: Voordat u het product gebruikt, dient u het hoofdstuk

Led-indicator van de accu

Het display toont de laadstatus en geeft aan of er problemen zijn met de accu. (Fig. 28)

Ledindicator	Accustatus (laadstatus)
	40-B140
4 leds branden	De accu is 76% - 100% opgeladen.
3 leds branden	De accu is 51% - 75% opgeladen.
2 leds branden	De accu is 26% - 50% opgeladen.
1 led brandt	De accu is 6% - 25% opgeladen.
1 led knippert	De accu is 0% - 5% opgeladen.

De accu opladen

Laad de accu op als u deze voor de eerste keer gebruikt. Een nieuwe accu is slechts 30% opgeladen.



OPGELET: Sluit de acculader aan op een stopcontact waarvan de spanning en frequentie overeenkomen met de specificaties op het productplaatje.

De accu wordt niet opgeladen als de temperatuur van de accu hoger is dan 50 °C/122 °F.

1. Sluit de voedingskabel aan op de acculader.
2. Sluit de acculader aan op een geaard stopcontact. De oplaadled knippert 1 keer. (Fig. 29)
3. Sluit de accu aan op de acculader. De oplaadled gaat branden. Laad de accu max. 24 uur op. (Fig. 30)

4. Druk op de accu-indicatielampjes, wanneer alle led-indicatielampjes branden, is de accu volledig geladen.
5. Haal de stekker uit het stopcontact om de acculader van het stopcontact los te koppelen. Trek niet aan de voedingskabel.
6. Haal de accu uit de acculader.

De accu aansluiten op het product



WAARSCHUWING: Gebruik uitsluitend de aanbevolen Husqvarna-accu voor het product.

1. Zorg ervoor dat de accu volledig is opgeladen.
2. Duw de accu in de accuhouder totdat u een klik hoort. De accu moet gemakkelijk kunnen bewegen. Als dit niet het geval is, is deze niet correct geïnstalleerd. (Fig. 31)

Product starten

1. Houd de startknop ingedrukt totdat de groene led gaat branden. (Fig. 32)

2. Gebruik de activeringsschakelaar om het product te bedienen.

De optimale luchtstroom voor uw werk instellen

- Druk op de toerentalregelknop om de luchtstroom in te stellen. Er zijn 3 luchtstroomstappen. (Fig. 33)

Het product stoppen

1. Laat de activeringsschakelaar los.
2. Houd de aan/uit-knop ingedrukt totdat de groene led dooft.
3. Druk op de ontgrendelknop en verwijder de accu. (Fig. 34)

Automatische uitschakelfunctie

Het product heeft een automatische uitschakelfunctie die het product stopt als het niet wordt gebruikt. De groene led van de vermogenindicator gaat uit en het product stopt na 3 minuten.

Onderhoud

Inleiding



WAARSCHUWING: Voordat u onderhoudswerkzaamheden gaat uitvoeren, dient u het hoofdstuk over veiligheid te lezen en hebben begrepen.

Onderhoudsschema



WAARSCHUWING: Verwijder de accu voordat u onderhoud uitvoert.

Hieronder volgt een lijst van het onderhoud dat u aan het product moet uitvoeren.

Onderhoud	Elke dag	Wekelijks	Maandelijks
Reinig het product met een zachte en droge doek. Gebruik geen water.	X		
Zorg ervoor dat de handgrepen droog en schoon zijn.	X		
Controleer het toetsenbord.	X		
Controleer de activeringsschakelaar.	X		
Controleer of de moeren en schroeven goed zijn vastgedraaid.	X		
Controleer of de accu niet beschadigd is.	X		
Controleer het laadniveau van de accu.	X		
Controleer of de ontgrendelknoppen op de accu niet beschadigd zijn en of ze de accu in het product vergrendelen.	X		
Controleer of de acculader niet beschadigd is.	X		
Controleer of alle koppelingen, aansluitingen en kabels schoon en onbeschadigd zijn.		X	
Controleer de aansluitingen op de accu, de acculader en het product.			X

Luchtinlaat controleren

1. Controleer of de luchtinlaat niet verstopt is. (Fig. 35)
2. Schakel het product uit en verwijder indien nodig ongewenst materiaal.



OPGELET: Een verstopte luchtinlaat vermindert de blaascapaciteit van het product en verhoogt de werktemperatuur van de motor. Dit kan leiden tot motorstoringen omdat de motor te heet wordt.

Accu en acculader controleren

1. Controleer de accu op beschadigingen, bijvoorbeeld scheuren.

2. Controleer de acculader op beschadigingen, bijvoorbeeld scheuren.
3. Controleer of de aansluitkabel van de acculader niet beschadigd of gescheurd is.

Product, accu en acculader reinigen

1. Reinig het product met een droge doek na gebruik.
2. Reinig de accu en acculader met een droge doek. Houd de accugeleiderails schoon.
3. Zorg ervoor dat de aansluitingen van de accu en de acculader schoon zijn voor dat de accu in de acculader of het product wordt geplaatst.

Probleemoplossing

Toetsenbord

Led-scherm	Mogelijke fouten	Mogelijke oplossingen
De rode fout-led knippert	Temperatuurafwijking.	Laat het product afkoelen.
	Vuil in de accuaansluitingen of de ventilator is geblokkeerd.	Reinig met perslucht of een zachte borstel.
	De accu is leeg.	Laad de accu op.
	De accu is beschadigd.	Neem contact op met uw service-werkplaats.

Accu

Led-scherm	Mogelijke fouten	Mogelijke oplossingen
Het groene ledlampje knippert.	Lage accuspanning.	Laad de accu op.
Het fout-ledlampje knippert.	Temperatuurafwijking.	Gebruik de accu bij temperaturen tussen -5 °C – 40 °C / 23 °F - 104 °F.
	Te hoge spanning.	Controleer of de netspanning overeenkomt met de spanning die is aangegeven op het typeplaatje op het product. Haal de accu uit de acculader.
Het fout-ledlampje brandt.	Celverschil te groot (1V).	Neem contact op met uw service-dealer.

Acculader

Led-scherm	Mogelijke fouten	Mogelijke oplossingen
De laad-led-indicator brandt rood.	De acculader is beschadigd.	Neem contact op met uw servicedealer.
De laad-led-indicator knippert groen.	De accutemperatuur ligt buiten het laadbereik.	Laat de accu afkoelen of warm worden. Als de accu de juiste temperatuur heeft, kan deze weer worden gebruikt of opgeladen. Gebruik de acculader bij omgevingstemperaturen tussen 5 °C – 40 °C / 41 °F - 104 °F.
De laad-led-indicator knippert rood.	De accu is beschadigd.	Neem contact op met uw servicedealer.

Vervoer, opslag en verwerking

Transport en opslag

- De meegeleverde Li-ion-accu's voldoen aan de wettelijke vereisten voor gevaarlijke goederen.
- Neem de bijzondere voorschriften op de verpakking en labels voor commercieel transport in acht. Dit geldt ook voor derden en expediteurs.
- Neem contact op met een persoon die gespecialiseerd is op het gebied van gevaarlijke stoffen voordat u het product verzendt. Neem alle van toepassing zijnde nationale voorschriften in acht.
- Breng tape aan op blootliggende aansluitingen wanneer u de accu in een pakket plaatst. Plaats de accu strak in het pakket om beweging te voorkomen.
- Verwijder de accu bij opslag of vervoer.
- Plaats de accu en de acculader in een droge, vocht- en vorstvrije ruimte.
- Bewaar de accu niet op plaatsen waar statische elektriciteit aanwezig is. Bewaar de accu niet in een metalen kist.
- Bewaar de accu op een plaats met een temperatuur tussen 5°C / 41°F and 25°C / 77°F en niet in direct zonlicht.
- Bewaar de acculader op een plaats met een temperatuur tussen 5 °C/41 °F and 45°C/113°F en niet in direct zonlicht.
- Gebruik de acculader uitsluitend bij omgevingstemperaturen tussen 5 °C – 40 °C / 41 °F – 104 °F.

- Laad de accu op tussen de 30% en 50% voorafgaand aan langdurige opslag.
- Bewaar het product op een plaats met een temperatuur tussen -40 en 60 °C
- Berg de acculader op in een ruimte die afgesloten en droog is.
- Bewaar de accu niet in de buurt van de acculader. Laat kinderen en andere onbevoegde personen niet aan de apparatuur komen. Bewaar de apparatuur in een ruimte die u kunt afsluiten.
- Reinig het product en voer een volledige onderhoudsbeurt uit voordat u het product voor langere tijd opslaat.
- Bevestig het product stevig tijdens vervoer.

Accu, acculader en product afvoeren

Symbolen op het product of op de verpakking van het product geven aan dat dit product geen huishoudelijk afval is. Lever het in bij een recyclepunt voor elektrische en elektronische apparatuur. Dit voorkomt vervuiling van het milieu en letsel bij personen.

Neem contact op met uw lokale autoriteiten, afvalverwerkingsbedrijf of dealer voor meer informatie over het recyclen van uw product.

Technische gegevens

Technische gegevens

	122iB
Motor	
Motortype	PMDC
Gewicht	
Gewicht zonder accu, kg	1,9
Geluidsemissies, geluidsniveaus, ^{49 50}	
Geluidsvermogensniveau, gemeten dB(A)	92,2
Geluidsvermogensniveau, gegarandeerd L _{WA} dB (A)	93

⁴⁹ Geluidsemissies in de omgeving gemeten als geluidsvermogen (L_{WA}) volgens EG-richtlijn 2000/14/EG en EN ISO 22868 hebben een typische statistische spreiding (standaardafwijking) van 1,0 dB (A).

⁵⁰ De gerapporteerde gegevens voor een vergelijkbaar geluidsrukniveau voor de machine vertonen een typische statistische spreiding (standaardafwijking) van 1,3 dB(A).

	122iB
Equivalent geluidsdruk niveau op oorhoogte van de gebruiker, gemeten in overeenstemming met EN IEC 62841-4-6 en ISO 22868, dB (A):	82,8
Trillingsniveau ⁵¹	
Trillingsniveaus in de handgrepen, gemeten volgens EN IEC 62841-4-6, m/s ²	1,13
Ventilatorprestaties	
Volumetrisch piekdebiet, m ³ /h	865
Theoretische pieksnelheid, m/s	53
Blaaskracht, N	11

Geluids- en trillingsgegevens zijn bepaald op basis van het nominale maximale toerental.

Let op: De opgegeven totale trillingswaarde en de opgegeven geluidsemissiewaarden zijn gemeten overeenkomstig een standaard testmethode en kunnen worden gebruikt om gereedschappen onderling te vergelijken.

Let op: De opgegeven totale trillingswaarde en de opgegeven geluidsemissiewaarden kunnen ook worden

gebruikt voor een voorlopige beoordeling van de blootstelling.

Let op: De trillings- en geluidsemissie tijdens het feitelijke gebruik van het product kan afwijken van de opgegeven totale waarde en is afhankelijk van de manier waarop het product wordt gebruikt. Het is noodzakelijk om veiligheidsmaatregelen te identificeren om de gebruiker te beschermen, op basis van een schatting van de blootstelling in de feitelijke gebruiksomstandigheden. Neem alle onderdelen van de gebruikscyclus op in de schatting, zoals de tijden waarop het product wordt uitgeschakeld en wanneer het stationair draait, naast de activeringstijd.

Goedgekeurde accu's voor het product

Accu	40-B140
Type	Lithium-ion
Accucapaciteit, Ah	Raadpleeg het plaatje met de accugegevens
Nominale spanning, V	36
Gewicht, kg/lb	1,25/2,76

Goedgekeurde acculaders

Acculader	40-C80
Ingangsspanning, V	100-240
Frequentie, Hz	50-60
Vermogen, W	72

⁵¹ De gerapporteerde gegevens voor een trillingsniveau vertonen een typische statistische spreiding (standaardafwijking) van 1,5 m/s².

Acculader	40-C80
Uitgangsspanning, V d.c/Amps, A	43/1,6

Verklaring van overeenstemming

EU-verklaring van overeenstemming

Wij, **Husqvarna AB**, SE-561 82 Huskvarna, ZWEDEN, tel.: +46-36-146500, verklaren onder onze alleenverantwoordelijkheid dat het product:

Beschrijving	Handgedragen blazer met accu
Merk	Husqvarna
Type/model	122iB
Identificatie	Serienummers vanaf 2025 en verder

voldoet aan de volgende EU-richtlijnen en -verordeningen, inclusief amendementen:

Verordening	Beschrijving
2006/42/EG	"betreffende machines"
2014/30/EU	"betreffende elektromagnetische compatibiliteit"
2011/65/EU	"inzake beperking van het gebruik van bepaalde gevaarlijke stoffen in elektrische en elektronische apparatuur"
2000/14/EG	"betreffende de geluidsemissies in het milieu"

en dat de volgende normen en/of technische specificaties zijn toegepast: EN 62841-1:2015/A11:2022, EN IEC 62841-4-6:2024/A11:2024, EN IEC 63000:2018

EN IEC 55014-1:2021, EN IEC 55014-2:2021

Conform richtlijn 2000/14/EC, bijlage V, zie *Technische gegevens op pagina 241* voor de opgegeven geluidswaarden.

Huskvarna, 2025-11-03

Claes Losdal, R&D Manager, Husqvarna AB
Verantwoordelijk voor technische documentatie



INNHOUD

Innledning.....	245	Feilsøking.....	254
Sikkerhet.....	246	Transport, oppbevaring og avhending.....	255
Montering.....	251	Tekniske data.....	255
Drift.....	251	Samsvarserklæring.....	257
Vedlikehold.....	252		

Innledning

Produktoversikt

(Fig. 1)

1. Blåsermunnstykke
2. Utløserknapp for blåsermunnstykket
3. Tastatur
4. Kraftutløser
5. Håndtak
6. På/av-knapp
7. Strømindikator
8. Varsellampe feilindikator
9. Knapp for hastighetskontroll
10. Støtter
11. Batteriindikatorknapp
12. Batteristatus
13. Varsellampe for batteri
14. Batteriutløserknapp
15. Batteri
16. Strøm på- og varsellampe
17. Kobling
18. Batterilader 40-C80
19. Bruksanvisning

Environment Operations (Noise Control) Regulation 2017». Garantert lydeffektnivå for produktet er angitt i *Tekniske data på side 255* og på etiketten.

(Fig. 8)

Produktet og produktemballasjen er ikke restavfall. Resirkuler det på et gjenvinningsanlegg for elektrisk og elektronisk utstyr.

(Fig. 9)

Dette produktet samsvarer med gjeldende EF-direktiver.

(Fig. 10)

Nominell spenning, V

(Fig. 11)

Direktestrøm.

yyyy wwxxxx

Typeskiltet viser serienummeret. **yyyy** er produksjonsåret, **ww** er produksjonsuken og **xxxx** er sekvensnummeret.

Produktbeskrivelse

Husqvarna 122iB er en blåsermodell med elektrisk motor.

Bruksområder

Dette produktet er en pålitelig og brukervennlig håndholdt løvblåser for alle blåse- og rengjøringsoppgaver i hjemmet og hagen.

Symboler på produktet

(Fig. 2)

ADVARSEL: Dette produktet kan være farlig og føre til alvorlig personskade eller død for brukeren eller andre. Vær forsiktig, og bruk produktet riktig.

(Fig. 3)

Les bruksanvisningen nøye, og forsikre deg om at du forstår instruksjonene før du bruker produktet.

(Fig. 4)

Bruk godkjent øyevern.

(Fig. 5)

ADVARSEL – hold tilskuere på avstand.

(Fig. 6)

Må ikke utsettes for regn.

(Fig. 7)

Støyutslipp til omgivelsene som i EU-direktiver og forskrifter og New South Wales-forskriften «Protection of the

Merk: Øvrige symboler/klistremerker på produktet gjelder spesifikke krav for sertifiseringer på visse markeder.

Symboler på batteriet eller batteriladeren

(Fig. 12)

Feilsikker transformator.

(Fig. 13)

Batteriladeren skal bare brukes og oppbevares innendørs.

(Fig. 14)

Dobbeltisolert.

(Fig. 15)

Lever dette produktet til et gjenvinningsanlegg for elektrisk og elektronisk utstyr. (Gjelder kun Europa)

Skader på produktet

Vi er ikke ansvarlige for skader på produktet vårt hvis:

- Produktet er reparert på feil måte.
- Produktet er reparert med deler som ikke kommer fra produsenten eller som ikke er godkjent av produsenten.

- Produktet har et tilbehør som ikke kommer fra produsenten eller som ikke er godkjent av produsenten.
- Produktet er ikke reparert på et godkjent servicesenter eller av en godkjent aktør.

Produsent

Husqvarna AB

Drottninggatan 2, SE-561 82 Huskvarna

Sikkerhet

Sikkerhetsdefinisjoner

Advarsler, oppfordringer og merknader brukes for å understreke spesielt viktige deler av bruksanvisningen.



ADVARSEL: Brukes hvis det er fare for personskade eller død for brukeren eller andre personer om instruksjonene i håndboken ikke følges.



OBS: Brukes hvis det er fare for skade på produktet, annet materiell eller nærliggende områder om instruksjonene i håndboken ikke følges.

Merk: Brukes for å gi mer nødvendig informasjon for en spesifikk situasjon.

Generelle sikkerhetsanvisninger for elektroverktøy



ADVARSEL: Les alle sikkerhetsadvarsler, instruksjoner, illustrasjoner og spesifikasjoner som fulgte med denne maskinen. Hvis du ikke følger alle instruksjonene som er angitt nedenfor, kan det føre til elektrisk støt, brann og/eller alvorlige skader.

Ta vare på alle advarsler og instruksjoner for fremtidig bruk.

Merk: Begrepet «maskin» i advarslene refererer til en maskin som drives av nettstrøm (med ledning) eller batteri (uten ledning).

Sikkerhet i arbeidsområdet

- Hold arbeidsområdet rent og godt opplyst. Røt og dårlig opplyste områder kan lett føre til ulykker.
- Maskinen må ikke brukes i omgivelser der det er fare for eksplosjon, for eksempel der det finnes brennbare væsker, gasser eller støv. Maskiner danner gnister som kan antenne støv eller damp.
- Hold barn og tilskuere på avstand når du bruker en maskin. Distraksjoner kan føre til at du mister kontrollen.

El-sikkerhet

- Støpselet til maskinen må passe til stikkkontakten. Du må aldri modifisere støpselet på noen måte. Ikke bruk adapterpluggen sammen med jordede maskiner. Når støpselet ikke er modifisert og stikkkontakten passer, vil dette redusere faren for elektrisk støt.
- Unngå kroppskontakt med jordede flater, for eksempel rør, radiatorer, komfyrer og kjøleskap. Faren for elektrisk støt øker hvis kroppen til brukeren er jordat.
- Maskiner må ikke utsettes for regn eller annen fukt. Hvis det kommer vann inn i en maskin, øker faren for elektrisk støt.
- Ledningen må håndteres forsiktig. Bruk aldri ledningen til å bære eller dra maskinen eller til å trekke ut støpselet til maskinen. Hold ledningen unna varme, olje, skarpe kanter og bevegelige deler. Skadde eller sammenflokete ledninger øker faren for elektrisk støt.
- Når en maskin brukes utendørs, må det brukes en skjøteledning som er egnet for utendørs bruk. Bruk av ledning for utendørs bruk reduserer faren for elektrisk støt.
- Hvis en maskin må brukes på et fuktig sted, bør den være koblet til en strømkrets som er beskyttet av jordfeilbryter. Bruk av jordfeilbryter reduserer faren for elektrisk støt.

Personlig sikkerhet

- Vær oppmerksom, følg med på det du gjør, og bruk sunn fornuft når du bruker en maskin. Ikke bruk en maskin hvis du er trett eller påvirket av narkotika, alkohol eller medisiner. Et øyeblikks uoppmerksomhet under bruk av maskiner kan føre til alvorlig personskade.
- Bruk personlig verneutstyr. Bruk alltid øyevern. Bruk av verneutstyr som støvmaske, vernesko med antisklisåle, hjelm og hørselvern der det kreves, reduserer faren for personskade.
- Unngå utilsiktet oppstart. Forsikre deg om at bryteren står i AV-stilling før du kobler til strømforsyningen og/eller batteripakken, løfter opp eller bærer maskinen. Hvis du bærer en maskin påslått eller med en finger på bryteren, kan det lett oppstå ulykker.
- Fjern eventuelle justeringsnøkler før du slår på maskinen. En nøkkel som sitter på en roterende del av maskinen, kan forårsake personskade.

- **Ikke strøk deg for langt. Pass på at du står sikkert og hold alltid balansen.** Dette gir deg bedre kontroll over maskinen i uventede situasjoner.
- **Bruk egnede klær. Ikke bruk løstsittende klær eller smykker. Hold hår og klær borte fra bevegelige deler.** Løstsittende klær, smykker eller langt hår kan dras med av deler som beveger seg.
- **Hvis apparatet er forsynt med tilkobling for støvsuger eller oppsamlar, må du forsikre deg om at disse er riktig tilkoblet og brukes på riktig måte.** Bruk av et støvavsug kan redusere faren på grunn av støv.
- **Selv om du har lang erfaring med bruk av maskiner, må du ikke bli uforsiktig eller ignorere sikkerhetsreglene.** Uforsiktig oppførsel kan føre til alvorlige skader i løpet av et lite sekund.

Bruk og vedlikehold av maskinen

- **Ikke bruk makt på maskinen. Bruk riktig maskin til den aktuelle oppgaven.** Riktig maskin gjør jobben på en bedre og sikrere måte i den hastigheten den er konstruert for.
- **Ikke bruk maskinen hvis bryteren ikke fungerer som den skal.** Maskiner som ikke kan kontrolleres med bryteren, er farlige, og må repareres.
- **Koble støpselet fra strømforsyningen og/eller batteripakken fra produktet, hvis det er avtakbart, før du foretar justeringer, skifter tilbehør eller legger unna produktet for oppbevaring.** Disse forsiktighetstiltakene forhindrer utilsiktet start av elektroverktøyet.
- **Maskiner som ikke er i bruk, må oppbevares utilgjengelig for barn. Ikke la personer som ikke er kjent med maskinen eller disse instruksjonene, bruke maskinen.** Maskiner er farlige når de håndteres av uerfarne brukere.
- **Vedlikehold maskiner og tilbehør. Kontroller justeringen av bevegelige deler, samt at de ikke sitter fast. Kontroller at det ikke finnes ødelagte deler eller andre feil som kan påvirke bruken av maskinen. Hvis maskinen er skadet, må den repareres før bruk.** Mange ulykker skyldes dårlig vedlikeholdte maskiner.
- **Hold skjæreværktøy skarpe og rene.** Riktig vedlikeholdte skjæreværktøy med skarpe skjærekanten har mindre fare for å sette seg fast, og er lettere å kontrollere.
- **Bruk maskinen, tilbehør og bits osv. i samsvar med disse instruksjonene, de aktuelle arbeidsforholdene og arbeidet som skal utføres.** Bruk av maskinen til andre oppgaver enn dem den er tiltenkt, kan føre til farlige situasjoner.
- **Hold håndtakene og gripeflatene tørre, rene og frie for olje og fett.** Glatte håndtak og gripeflater umuliggjør trygg håndtering og kontroll av maskinen i uventede situasjoner.

Bruk og vedlikehold av batteridreven maskin

- **Må bare lades med laderen som er spesifisert av produsenten.** En lader som passer til én batteripakke

kan skape brannfare hvis den brukes med en annen batteripakke.

- **Bruk kun de batteriene som er tiltenkt for elektroverktøyene.** Bruk av andre batteripakker kan medføre fare for personskaade og brann.
- **Når batteriet ikke er i bruk, må det holdes unna andre metallgjenstander som binders, mynter, nøkler, spiker, skruer og andre små metallgjenstander som kan danne en forbindelse fra den ene batteripolen til den andre.** Kortslutning av batteripolene kan føre til forbrenning eller brann.
- **Hvis batteriet utsettes for store påkjenninger, kan det komme væske ut av det. Unngå i så fall kontakt med denne væsken. Skyll med vann hvis kontakt oppstår ved et uhell. Hvis du får væske i øynene, kontakt lege øyeblikkelig.** Væske som kommer ut av batteriet kan forårsake irritasjon eller forbrenninger.
- **Ikke bruk en batteripakke eller maskin som er skadet eller endret.** Skadede eller endrede batterier kan ha en uforutsigbar adferd, noe som kan føre til brann, eksplosjoner eller personskaader.
- **Ikke sett en batteripakke eller maskin for ild eller for høye temperaturer.** Eksponering for flammer eller temperaturer over 130 °C (265 °F) kan føre til eksplosjon.
- **Følg alle ladeinstruksjonene, og ikke lad batteripakken eller maskinen utenfor temperaturområdet som er angitt i instruksjonene.** Lading på feil måte eller ved temperaturer utenfor det angitte området kan påføre batteriet skade og øke faren for brann.

Service

- **Service må bare utføres av kvalifiserte reparatører, og kun med identiske reservedeler.** Dette sikrer at sikkerheten til maskinen opprettholdes.
- **Utfør aldri service på skadede batteripakker.** Service av batteripakker skal kun utføres av produsenten eller autoriserte serviceleverandører.

Sikkerhetsadvarsler for hageblåser

- **Ikke bruk hageblåseren i dårlig vær, spesielt ikke når det er fare for lyn.** Dette øker faren for å bli truffet av lynnedslag.
- **Bruk øyvern.** Tilstrekkelig verneutstyr reduserer faren for personskaader.
- **Bruk alltid sklissikkert og beskyttende føttøy når du bruker hageblåseren. Du må ikke være barbert eller ha på deg åpne sandaler når du bruker hageblåseren.** Dette reduserer faren for skader på føttene.
- **Ikke bruk løstsittende klær eller plagg som skjørt, snorer, kjeder, silps osv. som kan trekkes inn i luffinntakene. Sett opp eller dekk til langt hår for å sikre at det ikke trekkes inn i luffinntakene.** Hvis noen av disse elementene trekkes inn i luffinntakene, øker det faren for personskaade.

- **Hold tilskuere på avstand når du bruker hageblåseren.** Flygende gjenstander kan øke faren for personskade.
- **Rett aldri blåsemunnstykket mot mennesker eller kjæledyr eller mot vinduer.** Vær ekstra forsiktig når du blåser rusk nær faste gjenstander, for eksempel trær, biler og vegger som kan føre til at rusk spretter tilbake. Gjenstander som slynges ut kan skade eiendeler og øke faren for personskade.
- **Ikke bruk hageblåseren til å blåse bort noe som brenner eller ryker, for eksempel sigaretter, fyrstikker eller varm aske.** Disse antennelseskildene kan øke faren for brann.
- **Ikke bær viften mens den fortsatt er i bevegelse. Slå av hageblåseren og vent til viften stopper, før du fjerner noen deler som kan gi tilgang til viften.** Dette reduserer faren for skader fra bevegelige deler.
- **Sørg for at strømbryteren er av når du skal fjerne fastkjørt materiale eller det skal utføres service på hageblåseren.** Hvis hageblåseren starter uventet mens du fjerner fastkjørt materiale eller utfører service, kan det oppstå alvorlig personskade.

- Ikke bruk produktet hvis det er skadet eller ikke fungerer som det skal.
- Ikke modifier dette produktet, og ikke bruk det dersom det er mulig at andre har modifisert det.

Arbeidssikkerhet



ADVARSEL: Les de følgende advarselsinstruksjonene før du bruker produktet.

- Bruk personlig verneutstyr. Se *Personlig verneutstyr på side 249*.
- Sørg for at du vet hvordan du stopper motoren raskt i en nødsituasjon.
- Produktet må ikke brukes i regn eller fuktige omgivelser. Fare for elektrisk støt øker hvis det kommer vann inn i produktet.
- Hold deg alltid bak produktet når du bruker det.
- Du må aldri løfte produktet når motoren er i gang. Hvis du har behov for å løfte produktet, må du først stoppe motoren og fjerne batteriet.
- Ikke gå bakover når du bruker produktet.
- Stopp motoren når det er nødvendig å vippe produktet for transport eller før du beveger deg over områder uten gress, for eksempel gangveier med grus, stein og asfalt.
- Ikke løp med produktet når motoren er på. Du må alltid gå mens du bruker produktet.
- Vibrasjonene i produktet under drift kan være forskjellige fra den oppgitte vibrasjonsverdien i *Tekniske data på side 255*. Forskjellen skyldes variasjoner i hvordan produktet brukes. Hvis du bruker produktet ofte eller over lengre tid, må du ta pauser regelmessig for å unngå skader fra vibrasjonene.

Generelle sikkerhetsinstruksjoner



ADVARSEL: Les de følgende advarselsinstruksjonene før du bruker produktet.

- Dette produktet er farlig hvis det brukes feil, eller hvis du ikke er forsiktig. Personskade eller død kan forekomme hvis du ikke følger sikkerhetsinstruksjonene.
- Dette produktet danner et elektromagnetisk felt når det er i bruk. Dette feltet kan under visse forhold forstyrre aktive eller passive medisinske implantater. For å redusere faren for hendelser som kan føre til alvorlig eller livstruende skade, anbefaler vi at personer med medisinske implantater rådfører seg med lege og produsenten av det medisinske implantatet før dette produktet tas i bruk.
- Vær alltid forsiktig, og bruk sunn fornuft. Hvis du ikke er sikker på hvordan du skal bruke produktet i en bestemt situasjon, må du stoppe og snakke med Husqvarna-forhandleren før du fortsetter.
- Husk at brukeren er ansvarlig for ulykker som involverer andre personer eller deres eiendom.
- Hold produktet rent. Sørg for at du kan lese skilt og merker.
- La aldri barn eller personer som ikke har satt seg inn i bruksanvisningen, bruke apparatet. Brukerens lavalder kan være fastsatt i lokale forskrifter.
- Hold alltid øye med personer med redusert fysisk eller mental kapasitet når de bruker produktet. En ansvarlig voksen må alltid være til stede.
- Ikke bruk produktet dersom du er trett eller syk eller under påvirkning av alkohol, andre rusmidler eller medisiner. Disse tingene har en negativ effekt på synet, vurderingsevnen og dømmekraften din.

Sikkerhetsinstruksjoner for drift



ADVARSEL: Les de følgende advarselsinstruksjonene før du bruker produktet.

- Når du kommer ut for en situasjon som gjør deg usikker på fortsatt bruk, skal du rådføre deg med en ekspert. Henvend deg til din forhandler eller ditt serviceverksted. Unngå all bruk som du ikke føler deg kvalifisert til.
- Sørg for at du kan gå og stå sikkert. Se etter eventuelle hindre ved uventet forflytting (røtter, steiner, greiner, groper, forhøyninger osv.). Vær meget forsiktig ved arbeid i skrånende terreng.
- Ha god balanse og sikkert fotfeste til enhver tid. Ikke strekk deg for langt.
- Vær alltid oppmerksom på varsel signaler eller tilrop ved bruk av hørselsvern. Ta alltid av hørselvernet så snart produktet stopper.
- Ikke bruk produktet i nærheten av åpne vinduer.

- Vis hensyn til personer i omgivelsene ved å unngå å bruke produktet på ugunstige tidspunkt, eksempelvis sent om kvelden eller tidlig om morgenen. Følg lokale bestemmelser og forskrifter.
- Bruk produktet med lavest mulig luftstrøm. Det er sjelden nødvendig å bruke full luftstrøm. Mange arbeidsoppgaver kan utføres med halv luftstrøm. Lavere luftstrøm innebærer mindre støy og støv. Det er også lettere å ha kontroll over avfallet som skal samles sammen / flyttes.
- I støvete omgivelser bør du fukte overflatene litt når du bruker produktet.
- Bruk rake eller kost for å løsne fastsittende avfall fra bakken.
- Hold blåserørets munning så nær bakken som mulig.
- Vær oppmerksom på omgivelsene. Rett produktet bort fra mennesker, dyr, lekeplasser og biler osv.
- Reduser blåsetiden ved å væte støvete områder eller ved å bruke sprøyteutstyr.
- Vær oppmerksom på vindretningen. Arbeid i vindens retning for at arbeidet skal bli lettere.
- Slå av produktet og ta ut batteriet hvis produktet begynner å vibrere unormalt.
- Bruk av løvblåseren til å flytte store hauger er tidkrevende og skaper unødvendig støy.
- Rydd opp etter deg. Forviss deg om at du ikke har blåst avfall inn på andres eiendom.
- Ikke løp med produktet.
- Den kraftige luftstrømmen kan forflytte gjenstander med en slik hastighet at de kan sprette tilbake og forårsake alvorlige øyeskader.

(Fig. 16)

- Ikke rett luftstrømmen mot mennesker eller dyr.
- Stopp motoren før du setter på eller tar av tilbehør eller andre deler.
- Hold alle deler av kroppen borte fra varme overflater.
- Sett aldri produktet ned med motoren i gang uten at du har det under oppsikt.
- Løvblåseren må ikke brukes i stiger eller på stillaser.

(Fig. 17)

- Bruk aldri produktet uten mulighet til å kunne påkalle hjelp ved en ulykke.
- Se opp for gjenstander som slynges ut. Steiner, skrot o.l. kan kastes opp i øynene og forårsake blindhet eller alvorlige skader.
- Bruk en reststrømenhet (RCI) for å øke sikkerheten når du lader produktet. Det er montert en reststrømenhet for å beskytte operatøren i tilfelle en elektrisk feil oppstår.
- Dette produktet er kjent for lavt vibrasjonsnivå. Overeksponering for vibrasjoner kan føre til blodkar- eller nerveskader hos personer som har blodsirkulasjonsforstyrrelser. Oppsøk lege hvis du opplever fysiske symptomer som kan relateres til overeksponering for vibrasjoner. Eksempel på slike symptomer er doving, manglende følelse, «killing», «stikk», smerte, manglende eller redusert styrke,

forandringer i hudens farge eller overflate. Disse symptomene oppstår vanligvis i fingre, hender eller håndledd.

- Produktet skal bare brukes til det formålet det er beregnet på.
- Det er umulig å dekke alle de tenkelige situasjonene som kan oppstå. Vær alltid forsiktig og bruk sunn fornuft. Unngå situasjoner du ikke føler deg tilstrekkelig kvalifisert for. Hvis du etter å ha lest disse instruksjonene fortsatt føler deg usikker vedrørende bruken, skal du rådføre deg med en ekspert før du fortsetter.
- Bruk alltid begge hendene til å holde i produktet. Hold produktet ved siden av kroppen.

(Fig. 18)

Personlig verneutstyr



ADVARSEL: Les de følgende advarselsinstruksjonene før du bruker produktet.

- Benytt alltid godkjent verneutstyr når du bruker produktet. Verneutstyr kan aldri fullstendig forhindre skade, men det reduserer skadeområdet hvis ulykken inntreffer. Spør forhandleren din om hjelp til å velge riktig utstyr.
- Bruk godkjent hørselsvern.

(Fig. 19)

- Bruk godkjent øyevern. Ved bruk av visir skal det også brukes godkjente vernebriller. Godkjente vernebriller er slike som tilfredsstiller standard ANSI Z87.1 for USA eller EN 166 for EU-land.

(Fig. 20)

- Bruk hansker når det er nødvendig.

(Fig. 21)

- Bruk vernestøvler med ståltå og sklislire såler.

(Fig. 22)

- Bruk klær av et slitesterkt materiale. Bruk alltid tykke langbukser og lange ermer. Unngå bruk av altfor vide klær som lett henger seg fast i kvister og grener. Ikke bruk smykker, korte bukser eller sandaler. Ikke gå med bare føtter. Sett håret opp over skuldernivå.
- Ha førstehjelpsutstyr for hånden.

(Fig. 23)

Sikkerhetsutstyr på produktet



ADVARSEL: Les de følgende advarselsinstruksjonene før du bruker produktet.

- I dette avsnittet forklares produktets sikkerhetsfunksjoner, hvilken funksjon det har, og hvordan man utfører kontroll og vedlikehold for å være sikker på at det fungerer. Se anvisninger under

overskriften *Produktoversikt på side 245* for å se hvor disse delene er plassert på ditt produkt.

- Levetiden til produktet kan forkortes og risikoen for ulykker kan øke dersom produktvedlikeholdet ikke utføres på riktig måte, og dersom service eller reparasjoner ikke er fagmessig utført. Hvis du trenger ytterligere informasjon, kan du kontakte nærmeste servicecenter.
- Bruk aldri et produkt med skader på sikkerhetsutstyret. Produktets sikkerhetsutstyr skal kontrolleres og vedlikeholdes som beskrevet i dette avsnittet. Hvis produktet ikke består alle kontrollene, må serviceverksted oppsøkes for reparasjon.
- All service og reparasjon av produktet krever spesialopplæring. Dette gjelder særlig produktets sikkerhetsutstyr. Hvis produktet ikke består alle kontrollene som er oppgitt nedenfor, må du oppsøke et serviceverksted. Kjøp av våre produkter garanterer at du kan få utført en fagmessig reparasjon og service. Hvis produktet ikke kjøpes hos en av våre serviceforhandlere, kan du spørre om hvor nærmeste serviceverksted er.

Slik kontrollerer du tastaturet

1. Trykk på og hold inne på/av-knappen (A) til strømindikatoren (B) tennes. (Fig. 24)
2. Se *Feilsøking på side 254* hvis varsellampen (C) tennes eller blinker.

Slik kontrollerer du kraftutløseren

- Trykk inn og slipp kraftutløseren for å kontrollere at den beveger seg fritt. (Fig. 25)

Batterisikkerhet



ADVARSEL: Les de følgende advarselsinstruksjonene før du bruker produktet.

- Anbefalt batteri er 40-B series. Batteriene er programvarekryptert.
- Bruk bare 40-B series-batteriet som er oppladbart, som strømforsyning for relaterte Husqvarna-produkter. For å unngå personskader må du ikke bruke batteriet som strømforsyning for andre enheter.
- Fare for elektrisk støt. Ikke la batteripolene komme i kontakt med nøkler, skruer eller andre metallgjenstander. Dette kan føre til kortslutning av batteriet.
- Ikke bruk batterier som ikke er oppladbare.
- Ikke sett gjenstander inn i luftåpningene til batteriet.
- Hold batteriet unna sollys, varme og åpen ild. Batteriet kan forårsake forbrenninger og/eller kjemiske forbrenninger.
- Hold batteriet unna regn og fuktighet.
- Hold batteriet unna mikrobølger og høyt trykk.
- Ikke prøv å demontere eller ødelegge batteriet.

- Ikke la batterisyre komme i kontakt med huden. Batterisyre kan føre til skader på huden, korrosjon og forbrenning. Unngå å gni hvis du får batterisyre i øynene. Skyll øynene med vann i minst 15 minutter. Hvis du har fått batterisyre på huden, må du rengjøre huden med store mengder vann og såpe. Få legehjelp.
- Bruk batteriet i temperaturer mellom $-10\text{ }^{\circ}\text{C}$ ($14\text{ }^{\circ}\text{F}$) og $40\text{ }^{\circ}\text{C}$ ($104\text{ }^{\circ}\text{F}$).
- Ikke rengjør batteriet eller batteriladeren med vann. Se *Slik rengjør du produktet, batteriet og batteriladeren på side 253*.
- Ikke bruk et skadet batteri.
- Oppbevar batteriene unna metallgjenstander, for eksempel spikre, skruer og smykker.
- Oppbevar batteriet utilgjengelig for barn.

Sikker bruk av batteriladeren



ADVARSEL: Les de følgende advarselsinstruksjonene før du bruker produktet.

- Fare for elektrisk støt eller kortslutning hvis sikkerhetsinstruksjonene ikke følges.
- Ikke bruk andre ladere enn den som ble levert med produktet. Bruk bare 40-C80-ladere når du lader utbyttbare batterier i 40-B-serien.
- Ikke prøv å demontere batteriladeren.
- Ikke bruk en batterilader som er skadet eller ikke fungerer som den skal.
- Ikke løft batteriladeren etter strømledningen. For å koble laderen fra stikkkontakten drar du i støpselet. Ikke dra i ledningen.
- Hold alle ledninger og skjøteledninger unna vann, olje og skarpe kanter. Pass på at kabelen ikke kommer i klem mellom objekter, for eksempel dører, gjerder eller lignende.
- Ikke bruk batteriladeren i nærheten av brennbare materialer eller materialer som kan forårsake korrosjon. Kontroller at batteriladeren ikke er tildekket. Trekk ut støpselet til batteriladeren hvis det oppstår røyk eller brann.
- Bare lad batteriet innendørs på et sted med god luftsirkulasjon og som er beskyttet mot direkte sollys. Ikke lad batteriet utendørs. Ikke lad batteriet i fuktige omgivelser.
- Bare bruk batteriladeren i temperaturer mellom $5\text{ }^{\circ}\text{C}$ ($41\text{ }^{\circ}\text{F}$) og $40\text{ }^{\circ}\text{C}$ ($104\text{ }^{\circ}\text{F}$). Bruk laderen i godt ventilerte, tørre og støvfrie omgivelser.
- Ikke sett gjenstander inn i luftåpningene til laderen.
- Berør aldri ladekontaktene med metallgjenstander. Dette kan kortslutte batteriladeren.
- Bruk bare godkjente stikkontakter som ikke er skadet. Kontroller at ledningen til batteriladeren ikke er skadet. Hvis skjøteledninger brukes, må du passe på at skjøteledningene ikke er skadet.
- Ikke lad engangsbatterier i batteriladerne.

Sikkerhetsinstruksjoner for vedlikehold



ADVARSEL: Les de følgende advarslene før du utfører vedlikehold på produktet.

- Fjern batteriet før du utfører vedlikehold, andre kontroller eller monterer produktet.
- Operatøren må bare utføre vedlikehold og service som refereres til i denne bruksanvisningen. Henvend deg til forhandleren for mer omfattende vedlikehold og service.

- Ikke rengjør batteriet eller batteriladeren med vann. Sterke vaskemidler kan skade platen.
- Hvis du ikke utfører vedlikehold, minsker levetiden til produktet og risikoen for ulykker øker.
- Det kreves spesiell opplæring for alt vedlikehold og reparasjonsarbeid, spesielt for sikkerhetsutstyret på produktet. Hvis ikke alle kontrollene i denne bruksanvisningen er godkjent etter at du har gjort vedlikehold, må du ta kontakt med serviceforhandleren. Vi garanterer at fagmessig reparasjon og service er tilgjengelig for produktet.
- Bruk bare originalreservedeler.

Montering

Innledning



ADVARSEL: Les og forstå kapittelet om sikkerhet før du monterer produktet.

Slik installerer du munnstykket

1. Sett munnstykket foran på produktet. (Fig. 26)
2. Trykk munnstykket til du hører et klikk.

Slik monterer du batteriladeren (40-C80) på veggen



OBS: Ikke bruk en elektrisk skrutrekker til å montere batteriladeren på veggen. En elektrisk skrutrekker kan skade batteriladeren.

1. Monter batteriladeren på veggen med de to skruene (A). Bruk veggpluggen (B) hvis det er nødvendig. (Fig. 27)
2. Monter de to skruerullpluggene (C).
3. Koble strømledningen (D) til batteriladeren og en stikkontakt.

Drift

Innledning



ADVARSEL: Les og forstå kapittelet om sikkerhet før du bruker produktet.

Slik utfører du en funksjonskontroll før du bruker produktet

1. Kontroller luftinntaket for smuss og sprekker. Bruk en børste for å fjerne gress og blader fra produktet. Se *Slik kontrollerer du luftinntaket på side 253*.
2. Kontroller at produktet fungerer som det skal.
3. Kontroller alle muttere og skruer, og sørg for at de er stramme.

Batteri



ADVARSEL: Før du bruker batteriet, må du lese og forstå kapittelet om sikkerhet. Du må også lese og forstå bruksanvisningen for batteriet og batteriladeren.

Batteriet og batteriladeren må oppbevares i riktig omgivelsestemperatur.

	Omgivelsestemperatur
Betjening av produktet	-5 °C – 40 °C / 23 °F - 104 °F
Lade batteriet	5 °C – 40 °C / 41 °F - 104 °F

Batteriindikator

(Fig. 28)

Displayet viser ladestatusen og eventuelle problemer med batteriet.

LED-indikator	Batteristatus (ladestatus)
	40-B140
4 LED-lamper lyser	Batteriet er 76–100 % ladet.
3 LED-lamper lyser.	Batteriet er 51–75 % ladet.
2 LED-lamper lyser.	Batteriet er 26–50 % ladet.
1 LED-lampe lyser.	Batteriet er 6–25 % ladet.
1 LED-lampe blinker.	Batteriet er 0–5% ladet.

Slik lader du batteriet

Hvis det er første gang du bruker batteriet, må du lade det. Et nytt batteri er bare 30 % ladet.



OBS: Koble batteriladeren til et strømuttak med den spenningen og frekvensen som er angitt på typeskiltet.

Batteriet lades ikke hvis batteritemperaturen er på over 50 °C / 122 °F.

1. Koble strømledningen til batteriladeren.
2. Koble batteriladeren til en jordet stikkontakt. Ladelampen blinker én gang. (Fig. 29)
3. Koble batteriet til batteriladeren. Ladelampen slås på. Lad batteriet i maks. 24 timer. (Fig. 30)
4. Trykk på batteriindikatorknappen. Hvis alle LED-indikatorene lyser, er batteriet fulladet.
5. Trekk i støpselet for å ta batteriladeren ut av strømuttaket. Ikke dra i ledningen.
6. Fjern batteriet fra batteriladeren.

Slik kobler du batteriet til produktet



ADVARSEL: Bruk kun anbefalte Husqvarna-batterier i produktet.

1. Kontroller at batteriet er fulladet.

2. Skyv batteriet inn i batteriholderen til du hører et klikk. Batteriet skal gli lett. Hvis det ikke gjør det, er det ikke riktig installert. (Fig. 31)

Slik starter du produktet

1. Trykk på og hold inne startknappen inne til den grønne indikatorlampe tennes. (Fig. 32)
2. Bruk kraftutløseren til å styre produktet.

Slik stiller du inn optimal luftstrøm for arbeidsoppgaven

- Trykk på knappen for hastighetskontroll for å stille inn luftstrømmen. Det er 3 trinn for luftstrøm. (Fig. 33)

Slik stopper du produktet

1. Slipp kraftutløseren.
2. Hold AV/PÅ-knappen inne til den grønne indikatorlampe slukkes.
3. Trykk på utløserknappen, og trekk ut batteriet. (Fig. 34)

Funksjon for automatisk avslåing

Produktet har en automatisk avslåingsfunksjon som stopper produktet hvis produktet ikke brukes. Den grønne LED-lampen slukkes, og produktet stopper etter 3 minutter.

Vedlikehold

Innledning



ADVARSEL: Før du utfører vedlikeholdsarbeid, må du lese og forstå kapittelet om sikkerhet.

Vedlikeholdsskjema



ADVARSEL: Fjern batteriet før du utfører vedlikehold.

Under følger en liste over vedlikeholdstrinnene som må utføres på produktet.

Vedlikehold	Daglig	Ukentlig	Månedlig
Rengjør produktet med en tørr og ren klut. Du må ikke bruke vann.	X		
Kontroller at håndtakene er tørre og rene.	X		
Utfør en kontroll av tastaturet.	X		
Utfør en kontroll av kraftutløseren.	X		
Kontroller at skruer og mutre er trukket til.	X		
Kontroller at batteriet ikke er skadet.	X		
Kontroller ladingen av batteriet.	X		
Kontroller at utløserknappene på batteriet ikke er skadde, og at de låser batteriet i produktet.	X		
Kontroller at batteriladeren ikke er skadet.	X		
Kontroller at alle koblinger og forbindelser og kabler er rene og uskadede.		X	
Utfør en kontroll av forbindelsene på batteriet, på batteriladeren og på produktet.			X

Slik kontrollerer du luftinntaket

1. Forsikre deg om at luftinntaket ikke er blokkert. (Fig. 35)
2. Stopp produktet, og fjern uønsket materiale om nødvendig.



OBS: Et blokkert luftinntak reduserer produktets blåsekapasitet og øker motorens arbeidstemperatur. Dette kan føre til motorfeil fordi motoren overoppheter.

Slik kontrollerer du batteriet og batteriladeren

1. Kontroller batteriet for skader, for eksempel sprekker.

2. Kontroller batteriladeren for skader, for eksempel sprekker.
3. Kontroller at strømledningen til batteriladeren ikke er skadet, og at det ikke er sprekker i den.

Slik rengjør du produktet, batteriet og batteriladeren

1. Rengjør produktet med en tørr klut etter bruk.
2. Rengjør batteriet og batteriladeren med en tørr klut. Hold batterisporene rene.
3. Kontroller at terminalene på batteriet og batteriladeren er rene før batteriet settes i batteriladeren eller produktet.

Feilsøking

Tastatur

LED-skjerm	Mulige feil	Mulige løsninger
Den røde LED-lampen blinker	Temperaturavvik.	La produktet kjøle seg ned.
	Smuss på batterikontaktene, eller viften er blokkert.	Rengjør med trykkluft eller en myk børste.
	Batteriet er utladet.	Lad batteriet.
	Batteriet er skadet.	Ta kontakt med serviceverkstedet ditt.

Batteri

LED-skjerm	Mulige feil	Mulige løsninger
Den grønne LED-lampen blinker.	Lav batterispenning.	Lad batteriet.
LED-feillampen blinker.	Temperaturavvik.	Bruk batteriet i temperaturer mellom -5 °C – 40 °C / 23 °F - 104 °F.
	For høy spenning.	Kontroller at nettspenningen samsvarer med den som er angitt på typeskiltet på produktet. Fjern batteriet fra batteriladeren.
LED-feillampen er tent.	For stor forskjell mellom cellene (1 V).	Snakk med serviceforhandleren din.

Batterilader

LED-skjerm	Mulige feil	Mulige løsninger
LED-indikatoren for lading lyser rødt kontinuerlig.	Batteriladeren er skadet.	Snakk med serviceforhandleren din.
Ladeindikatoren blinker grønt.	Batteritemperaturen er utenfor ladedområdet.	La batteriet avkjøles, eller varm det opp. Når batteriet har riktig temperatur, kan det brukes eller lades igjen. Bruk batteriladeren i omgivelsestemperaturer mellom 5 °C – 40 °C / 41 °F - 104 °F.
Ladeindikatoren blinker rødt.	Batteriet er skadet.	Kontakt serviceforhandleren din.

Transport, oppbevaring og avhending

Transport og oppbevaring

- De medfølgende litiumionbatteriene samsvarer med kravene i loven om farlige varer.
- Følg de spesifikke kravene på emballasje og etiketter for kommersiell transport, inkludert av tredjeparter og fraktleverandører.
- Snakk med en person med spesiell opplæring i farlige materialer før du sender produktet. Følg alle gjeldende nasjonale forskrifter.
- Bruk tape på åpne kontakter når du plasserer batteriet i en pakke. Pakk batteriet stramt for å hindre bevegelse.
- Fjern batteriet ved lagring og transport.
- Oppbevar batteriet og batteriladeren på et sted som er tørt og fri for fukt og frost.
- Batteriet må ikke oppbevares på steder der det kan forekomme statisk elektrisitet. Ikke oppbevar batteriet i en metallkasse.
- Oppbevar batteriet i temperaturer mellom 5°C / 41°F and 25°C / 77°F og unna direkte sollys.
- Oppbevar batteriladeren i temperaturer mellom 5°C/41°F and 45°C/113°F og unna direkte sollys.
- Bruk batteriladeren bare i omgivelsestemperaturer på 5°C – 40°C / 41°F - 104°F.
- Lad opp batteriet til 30–50 % før du setter det til oppbevaring i lange perioder.

- Oppbevar produktet på et sted der temperaturen er på mellom -40 °C/-40°F og +60 °C/140 °F
- Oppbevar batteriladeren på et sted som er lukket og tørt.
- Hold batteriet og batteriladeren separert under oppbevaring. Ikke la barn eller andre uautoriserte personer røre utstyret. Oppbevar utstyret i et område som kan låses.
- Rengjør produktet og utfør en fullstendig service før du setter det til oppbevaring i lang tid.
- Fest produktet på en sikker måte under transport.

Kassering av batteri, batterilader og produktet

Symbolene på produktet eller produktemballasjen angir at dette produktet ikke skal håndteres som restavfall. Resirkuler det på et gjenvinningsanlegg for elektrisk og elektronisk utstyr. Dette bidrar til å forhindre miljøskader og personskafer.

Ta kontakt med lokale myndigheter, det lokale renovasjonsvesenet eller forhandleren hvis du ønsker mer informasjon om hvordan produktet ditt skal gjenvinnes.

Tekniske data

Tekniske data

	122iB
Motor	
Motortype	PMDC
Vekt	
Vekt uten batteri, kg	1,9
Støyutslipp, lydnivå , ^{52 53}	
Lydeffektnivå, målt dB (A)	92,2
Lydeffektnivå, garantert L _{WA} dB (A)	93
Ekvivalent lydtrykksnivå ved brukerens øre, målt i henhold til EN ISO 62841-4-6 og ISO 22868, dB (A):	82,8

⁵² Utslippet av støy til omgivelsene målt som lydeffekt (L_{WA}) i samsvar med direktiv 2000/14/EF har en typisk statistisk spredning (standardavvik) på 1,0 dB (A).

⁵³ Rapporterte data for ekvivalent lydtrykksnivå for maskinen har en typisk statistisk spredning (standardavvik) på 1,3 dB(A).

	122iB
Vibrasjonsnivåer ⁵⁴	
Vibrasjonsnivåer i håndtak, målt i henhold til EN IEC 62841-4-6, m/s ²	1,13
Vifteeffekt	
Topp volumetrisk strømningshastighet, m ³ /t	865
Topp teoretiske hastighet, m/s	53
Blåsestyrke, N	11

Støy- og vibrasjonsdata fastslås på grunnlag av maksimalt turtall.

Merk: Den oppgitte totalverdien for vibrasjon og de oppgitte støytutslippverdiene er målt i samsvar med en standard testmetode, og kan brukes til å sammenligne ett redskap med et annet.

Merk: Den oppgitte totalverdien for vibrasjon og de oppgitte støytutslippverdiene kan også brukes til innledende vurdering av eksponering.

Merk: Vibrasjonsutslipp og støytutslipp under faktisk bruk av produktet kan avvike fra den oppgitte totalverdien, avhengig av hvordan produktet brukes. Det må iverksettes sikkerhetstiltak for å beskytte operatøren, basert på et anslag av eksponeringen under de faktiske bruksforholdene. Alle deler av driftssyklusen må inkluderes i anslaget, for eksempel når produktet slås av, og når det går på tomgang, i tillegg til brukstiden.

Godkjente batterier til produktet

Batteri	40-B140
Type	Litium-ion
Batterikapasitet, Ah	Se etiketten for batterikapasitet
Nominell spenning, V	36
Vekt, kg/pund	1,25/2,76

Godkjente batteriladere

Batterilader	40-C80
Inngangsspenning, V	100–240
Frekvens, Hz	50–60
Effekt, W	72
Utgangsspenning, V d.c./ampere, A	43/1,6

⁵⁴ Rapporterte data for vibrasjonsnivå har en typisk statistisk spredning (standardavvik) på 1,5 m/s².

Samsvarserklæring

EU-samsvarserklæring

Vi, **Husqvarna AB**, SE-561 82 Huskvarna, SVERIGE,
tlf.: +46 36 146500, erklærer på eget ansvar at
produktet:

Beskrivelse	Håndholdt batteridrevet blåser
Merke	Husqvarna
Type/modell	122iB
ID	Serienumre datert 2025 og senere

er i samsvar med følgende EU-direktiver og -forskrifter
med endringer:

Regulering	Beskrivelse
2006/42/EF	«angående maskiner»
2014/30/EU	«om elektromagnetisk kompatibilitet»
2011/65/EU	«om begrensning av bruk av visse farlige stoffer i elektrisk og elektronisk utstyr»
2000/14/EC	«angående utslipp av støy til omgivelsene»

og at følgende standarder eller tekniske spesifikasjoner
er anvendt: EN 62841-1:2015/A11:2022, EN IEC
62841-4-6:2024/A11:2024, EN IEC 63000:2018

EN IEC 55014-1:2021, EN IEC 55014-2:2021

I samsvar med direktiv 2000/14/EF, tillegg V, se
Tekniske data på side 255 for de oppgitte lydverdiene.

Huskvarna, 2025-11-03

Claes Losdal, FoU-leder, Husqvarna AB

Ansvarelig for teknisk dokumentasjon



SPIS TREŚCI

Wstęp.....	258	Rozwiązywanie problemów.....	268
Bezpieczeństwo.....	259	Transport, przechowywanie i utylizacja.....	269
Montaż.....	265	Dane techniczne.....	269
Przeznaczenie.....	265	Deklaracja zgodności.....	272
Konserwacja.....	267		

Przegląd produktu

(Rys. 1)

1. Dysza dmuchawy
2. Przycisk zwalnający dyszy dmuchawy
3. Klawiatura
4. Manetka gazu
5. Uchwyt
6. Przycisk wł./wył. zasilania
7. Wskaźnik zasilania
8. Kontrolka ostrzegawcza LED błędu
9. Przycisk regulacji obrotów
10. Wsporniki
11. Przycisk wskaźnika akumulatora
12. Stan akumulatora
13. Wskaźnik ostrzegawczy akumulatora
14. Przycisk odłączania akumulatora
15. Akumulator
16. Wskaźnik włączonego zasilania i ostrzegawczy
17. Złącze
18. Ładowarka 40-C80
19. Instrukcja obsługi

Opis produktu

Dmuchała Husqvarna 122iB jest wyposażona w silnik elektryczny.

Przeznaczenie

Produkt ten to niezawodna i łatwa w obsłudze dmuchała ręczna, która sprawdzi się przy okazji wszelkich prac związanych z wydmuchiowaniem i porządkowaniem wokół domu i w ogrodzie.

Symbole znajdujące się na produkcie

- (Rys. 2) **OSTRZEŻENIE:** Produkt może spowodować poważne obrażenia ciała lub śmierć operatora lub innych osób. Należy zachować ostrożność i prawidłowo korzystać z produktu.
- (Rys. 3) Przed użyciem produktu należy dokładnie i ze zrozumieniem przeczytać instrukcję obsługi.
- (Rys. 4) Stosować atestowane środki ochrony oczu.
- (Rys. 5) **OSTRZEŻENIE** – osoby postronne nie powinny znajdować się w pobliżu.
- (Rys. 6) Chronić przed deszczem.

(Rys. 7) Etykieta emisji hałasu do środowiska zgodnie z dyrektywami oraz przepisami UE, a także przepisami Nowej Południowej Walii „Protection of the Environment Operations (Noise Control) Regulation 2017”. Gwarantowany poziom mocy akustycznej urządzenia jest określony w *Dane techniczne na stronie 269* oraz na etykiecie.

(Rys. 8) Tego produktu ani opakowania nie można traktować jak odpadów domowych. Należy poddawać je recyklingowi w zatwierdzonym punkcie zbiórki sprzętu elektrycznego i elektronicznego.

(Rys. 9) Produkt jest zgodny z odpowiednimi dyrektywami UE.

(Rys. 10) Napięcie znamionowe, V

(Rys. 11) Prąd stały.

yyyy wwxxxx Tabliczka znamionowa zawiera numer seryjny. **yyyy** to rok produkcji, **ww** oznacza tydzień produkcji, a **xxxx** — numer sekwencyjny.

Uwaga: Pozostałe symbole/naklejki samoprzylepne umieszczone na produkcie dotyczą specjalnych wymogów certyfikacyjnych dla niektórych rynków.

Symbole na akumulatorze i/lub na ładowarce.

- (Rys. 12) Bezpieczny transformator.
- (Rys. 13) Ładowarkę używać i przechowywać wyłącznie wewnątrz.
- (Rys. 14) Podwójna izolacja.

(Rys. 15) Należy poddać urządzenie recyklingowi w punkcie zbiórki sprzętu elektrycznego i elektronicznego. (Dotyczy tylko Europy)

Uszkodzenie produktu

Nie odpowiadamy za uszkodzenia naszego produktu, w przypadku gdy:

- produkt jest nieprawidłowo naprawiany.
- produkt jest naprawiany przy użyciu części nie pochodzących od producenta lub niezatwierdzonych przez producenta.
- produkt jest wyposażony w akcesoria nie pochodzące od producenta lub niezatwierdzone przez producenta.

- produkt nie jest naprawiany w autoryzowanym centrum serwisowym lub przez autoryzowaną placówkę.

Producent

Husqvarna AB

Drottninggatan 2, SE-561 82 Huskvarna

Bezpieczeństwo

Definicje dotyczące bezpieczeństwa

Ostrzeżenia, uwagi i informacje są używane do zwrócenia uwagi na szczególnie ważne sekcje instrukcji obsługi.



OSTRZEŻENIE: Jest używane, gdy istnieje ryzyko poważnych obrażeń, śmierci operatora lub uszkodzenia otoczenia w wyniku nieprzestrzegania instrukcji obsługi.



UWAGA: Jest używane, gdy istnieje ryzyko uszkodzenia materiałów lub urządzenia w wyniku nieprzestrzegania instrukcji obsługi.

Uwaga: Stosuje się, aby przekazać więcej informacji, które są przydatne w danej sytuacji.

Ogólne wskazówki bezpieczeństwa dotyczące maszyny



OSTRZEŻENIE: Zapoznać się ze wszystkimi ostrzeżeniami dotyczącymi bezpieczeństwa, instrukcjami, ilustracjami i specyfikacjami dołączonymi do tej maszyny. *Niezastosowanie się do wszystkich poniższych instrukcji może spowodować porażenie prądem, pożar i/lub poważne obrażenia.*

Zachować wszystkie ostrzeżenia i instrukcje do korzystania z nich w przyszłości.

Uwaga: Termin „maszyna” w ostrzeżeniach dotyczy Twojej maszyny zasilanej prądem z sieci elektrycznej (z przewodem) lub maszyny zasilanej prądem z akumulatora (bezprowadowej).

Bezpieczeństwo miejsca pracy

- **Miejsce pracy powinno być czyste i dobrze oświetlone.** Obszary zaciemnione i takie, w których panuje nieład, mogą powodować wypadki.
- **Nie używać maszyn w atmosferze wybuchowej, np. w obecności cieczy, gazów lub pyłów palnych.** Maszyny wytwarzają iskry, które mogłyby zapalić pył lub opary.
- **Podczas używania maszyny należy zadbać o pozostanie dzieci oraz innych osób w bezpiecznej odległości.** W razie odwrócenia uwagi można utracić kontrolę nad urządzeniem.

Bezpieczeństwo elektryczne

- **Wtyczki maszyny muszą pasować do gniazdka. Zabrania się dokonywania przeróbek wtyczki. Nie wolno stosować adapterów w przypadku uziemionych maszyn.** Nieprzerobione wtyczki i dopasowane gniazdka pozwalają zredukować ryzyko porażenia prądem.
- **Należy unikać kontaktu ciała z powierzchniami uziemionymi, takimi jak rury, grzejniki, kuchenki i lodówki.** Uziemienie ciała powoduje zwiększenie ryzyka porażenia prądem.
- **Nie wystawiać maszyn na działanie deszczu ani wilgoci.** Przedostanie się wody do maszyny zwiększa ryzyko porażenia prądem.
- **Nie niszczyć przewodu. Nie wolno używać przewodu do przenoszenia, ciągnięcia lub odłączania maszyny. Przewód należy utrzymywać z dala od źródeł ciepła, olejów, ostrych krawędzi lub ruchomych części.** Uszkodzone lub splecione przewody zwiększają zagrożenie porażenia prądem.
- **Używając maszyny na zewnątrz budynków, należy stosować przedłużacz przystosowany do użytku zewnętrznego.** Stosowanie przewodu przeznaczonego do użytku na zewnątrz budynków pozwala ograniczyć ryzyko porażenia prądem.
- **Jeśli maszyna musi być używana w warunkach dużej wilgotności, stosować zasilanie chronione wyłącznikiem różnicowo-prądowym (RCD).** Korzystanie z wyłącznika różnicowo-prądowego (RCD) zmniejsza ryzyko porażenia prądem.

Bezpieczeństwo osób

- Podczas używania maszyny należy zachować skupienie, obserwować wykonywane czynności i kierować się zdrowym rozsądkiem. Maszynę nie wolno używać w przypadku zmęczenia ani pod wpływem narkotyków, alkoholu lub lekarstw. Chwila nieuwagi podczas obsługi maszyny może doprowadzić do poważnych obrażeń.
- Stosować środki ochrony osobistej. Należy zawsze stosować środki ochrony wzroku. Sprzęt ochronny, taki jak maski, antypoślizgowe buty robocze, kask lub środki ochrony słuchu stosowane w odpowiednich warunkach pozwalają obniżyć ryzyko odniesienia obrażeń.
- Należy zapobiec niezamierzonemu rozruchowi. Przed podłączeniem maszyny do źródła zasilania i/lub podłączeniem akumulatora należy upewnić się, że maszyna jest wyłączona. Przenoszenie maszyny z palcem na przełączniku lub włączenie zasilania maszyny, która ma przełącznik w pozycji włączonej, sprzyja wypadkom.
- Przed włączeniem maszyny należy usunąć wszelkie klucze i inne narzędzia. Klucze lub inne narzędzia, pozostawione przy obracającej się części maszyny, mogą spowodować obrażenia ciała.
- Nie należy przeceniać swoich możliwości. Stać na stabilnym podłożu i zachować równowagę. Pozwoli to zachować lepszą kontrolę nad maszyną w nieoczekiwanych sytuacjach.
- Należy odpowiednio się ubierać. Nie należy zakładać luźnych ubrań i nosić biżuterii. Włosy oraz ubranie należy trzymać z dala od elementów ruchomych. Luźna odzież, biżuteria lub długie włosy mogą zostać wciągnięte przez ruchome części.
- Jeśli dołączone jest wyposażenie służące do podłączenia urządzeń odprowadzających i gromadzących pył, należy zadbać o jego podłączenie i właściwe używanie. Stosowanie urządzeń odprowadzających pył może ograniczyć zagrożenia związane z obecnością pyłu.
- Użytkownik nie powinien czuć się zbyt pewnie i lekceważyć zasad bezpieczeństwa nawet wtedy, gdy po wielokrotnym używaniu maszyny jest dobrze obeznany z jej działaniem. Nieuwaga przy pracy może w ułamku sekundy doprowadzić do ciężkich obrażeń ciała.

Obsługa i konserwacja maszyny

- Nie należy korzystać z maszyny „na siłę”. Używać maszyny dopasowanej do zastosowania. Właściwa maszyna pozwoli lepiej i bezpieczniej wykonać pracę z przewidzianą prędkością.
- Nie wolno używać maszyny, jeśli nie można jej włączyć lub wyłączyć przy użyciu przełącznika. Jeśli maszyna nie może być kontrolowana za pomocą przełącznika, jest ona niebezpieczna i musi zostać oddana do naprawy.
- Przed dokonaniem jakichkolwiek regulacji, zmianą akcesoriów lub pozostawieniem maszyn na czas

przechowywania należy odłączyć wtyczkę od źródła zasilania i/lub, jeśli jest to możliwe, wymontować akumulator. Ten środek ostrożności zapobiega niezamierzonemu uruchomieniu elektronarzędzia.

- Nieużywane maszyny należy przechowywać w miejscu niedostępnym dla dzieci. Nie wolno pozwalać, aby maszyny obsługiwały osoby niezaznajomione z maszyną lub niniejszymi instrukcjami. W rękach nieprzeszkolonych użytkowników maszyna może być niebezpieczna.
- Konserwować maszyny i akcesoria. Maszynę należy sprawdzać pod kątem niedopasowania lub odkształcenia ruchomych części, uszkodzenia elementów lub innych okoliczności, które mogą mieć wpływ na pracę urządzenia. W przypadku uszkodzenia naprawić maszynę przed jej ponownym użyciem. Powodem wielu wypadków jest niewłaściwa konserwacja maszyn.
- Maszynę do cięcia muszą być ostre i czyste. Prawidłowo konserwowane maszyny do cięcia o ostrych krawędziach tnących są mniej podatne na wykrzywienie i łatwiej je kontrolować.
- Maszyna, akcesoria i końcówki itp. muszą być używane zgodnie z niniejszymi instrukcjami, biorąc pod uwagę warunki robocze oraz wykonywane zadanie. Używanie maszyny do zadań innych niż te, do których jest przeznaczona, może być niebezpieczne.
- Utrzymywać uchwyty i powierzchnie do chwytania w stanie suchym, czystym oraz wolnym od smaru i oleju. Śliskie uchwyty i powierzchnie chwytów nie pozwalają na pewną obsługę oraz kontrolowanie maszyny w nieprzewidzianych sytuacjach.

Użytkowanie i konserwacja akumulatora maszyny

- Ładować jedynie za pomocą ładowarki wskazanej przez producenta. Ładowarka przeznaczona do jednego rodzaju akumulatora może grozić pożarem w przypadku wykorzystania jej do ładowania innego rodzaju akumulatora.
- Używać w maszynach tylko przewidzianych do nich akumulatorów. Użycie akumulatorów innego rodzaju może stworzyć zagrożenie obrażeniami ciała i pożarem.
- Kiedy akumulator nie jest używany, należy przechowywać go z dala od innych metalowych przedmiotów, takich jak spinacze do papieru, monety, klucze, gwoździe i śruby oraz innych niewielkich metalowych przedmiotów, które mogłyby połączyć dwa zaciski akumulatora. Spięcie zacisków akumulatora może spowodować oparzenia lub pożar.
- W niewłaściwych warunkach z akumulatora może wypłynąć płyn. Należy unikać kontaktu z tym płynem. Jeżeli dojdzie do kontaktu, przemyć wodą. Jeśli dojdzie do kontaktu płynu z oczami, należy dodatkowo skorzystać z pomocy medycznej. Płyn wydostający się z akumulatora może wywołać podrażnienia lub oparzenia.

- **Nie używać akumulatora ani maszyny, jeśli są one uszkodzone lub zostały zmodyfikowane.** Uszkodzone lub zmodyfikowane akumulatory mogą charakteryzować się nieprzewidywalnymi właściwościami skutkującymi pożarem, eksplozją lub ryzykiem doznania obrażeń przez użytkownika.
- **Nie wystawiać akumulatora ani maszyny na działanie ognia lub zbyt wysokiej temperatury.** Narażenie na pożar lub temperaturę przekraczającą 130°C (265°F) może spowodować wybuch.
- **Należy postępować zgodnie ze wszystkimi instrukcjami dotyczącymi ładowania i nie ładować akumulatora ani maszyny w temperaturze wykraczającej poza zakres określony w instrukcji.** Nieprawidłowe ładowanie lub ładowanie w temperaturach wykraczających poza dopuszczalny zakres może uszkodzić akumulator i zwiększyć ryzyko pożaru.

Serwis

- **Naprawę maszyny należy zlecać wyłącznie wykwalifikowanym pracownikom i tylko z zastosowaniem oryginalnych części zamiennych.** Dzięki temu można zapewnić utrzymanie bezpieczeństwa maszyny.
- **Pod żadnym pozorem nie należy serwisować uszkodzonych akumulatorów.** Serwisowanie akumulatorów powinno być wykonywane wyłącznie przez producenta lub autoryzowany serwis.

Dmuchała ogrodowa — ostrzeżenia dotyczące bezpieczeństwa

- **Nie używać dmuchawy ogrodowej przy złych warunkach pogodowych, szczególnie jeśli istnieje ryzyko wystąpienia burzy.** Zmniejsza to ryzyko porażenia piorunem.
- **Należy stosować środki ochrony oczu.** Odpowiedni sprzęt ochronny zmniejsza ryzyko odniesienia obrażeń.
- **Podczas obsługi dmuchawy ogrodowej należy zawsze nosić obuwie przeciwpoślizgowe i ochronne. Nie obsługiwać dmuchawy ogrodowej boso ani w sandałach.** Zmniejsza to ryzyko urazów stóp.
- **Nie nosić luźnych ubrań ani przedmiotów, takich jak szale, wisiorki, łańcuchy, krawaty itp., które mogłyby zostać wciągnięte do wlotów powietrza. Związać lub zakryć długie włosy, aby zabezpieczyć je przed wciągnięciem do wlotów powietrza.** Jeśli którekolwiek z wymienionych zostanie wciągnięte do wlotu powietrza, może to zwiększyć ryzyko obrażeń ciała.
- **Podczas obsługi dmuchawy ogrodowej nie wolno dopuszczać do obecności w pobliżu osób postronnych.** Wyrzucone zanieczyszczenia mogą zwiększyć ryzyko obrażeń ciała.
- **Nigdy nie kierować dyszy dmuchawy w kierunku ludzi ani zwierząt domowych oraz w kierunku okien. Należy zachować szczególną ostrożność podczas wydmuchiwania zanieczyszczeń w pobliżu innych**

obiektów, takich jak drzewa, samochody i ściany, które mogłyby odbijać je rykoszetem. Wyrzucane przedmioty mogą uszkodzić mienie i zwiększyć ryzyko obrażeń ciała.

- **Nie wolno używać dmuchawy ogrodowej do tłących się lub palących przedmiotów, takich jak papierosy, zapalki lub gorące popioły.** Takie źródła zapłonu mogą zwiększać ryzyko pożaru.
- **Nie dotykać wentylatora, gdy pozostaje w ruchu. Przed wymontowaniem wszelkich elementów, które umożliwiają dostęp do wentylatora, należy wyłączyć dmuchawę ogrodową i odczekać, aż wentylator się zatrzyma.** Zmniejsza to ryzyko odniesienia obrażeń przez ruchome części.
- **Przed przystąpieniem do usuwania zakleszczonych materiałów lub serwisowania dmuchawy ogrodowej należy upewnić się, że wyłącznik jest ustawiony w pozycji wyłączenia.** Nieoczekiwane uruchomienie dmuchawy ogrodowej podczas usuwania zakleszczonego materiału lub serwisowania może spowodować poważne obrażenia ciała.

Ogólne zasady bezpieczeństwa



OSTRZEŻENIE: Przed rozpoczęciem użytkowania produktu przeczytać następujące ostrzeżenia.

- Produkt ten może być niebezpieczny w przypadku jego nieprawidłowego użytkowania i niezachowania ostrożności. Nieprzestrzeganie instrukcji bezpieczeństwa może spowodować obrażenia ciała lub śmierć.
- Niniejszy produkt podczas pracy wytwarza pole elektromagnetyczne. W pewnych okolicznościach pole to może zakłócać pracę aktywnych lub pasywnych implantów medycznych. Przed użyciem tego produktu osoby z wszczepionym implantem medycznym powinny skonsultować się z lekarzem i producentem implantu w celu ograniczenia ryzyka poważnych lub śmiertelnych obrażeń.
- Zawsze zachowywać ostrożność i kierować się zdrowym rozsądkiem. Jeśli nie ma pewności, w jaki sposób należy obsługiwać ten produkt w konkretnej sytuacji, przed wznowieniem pracy należy porozmawiać z dealerem Husqvarna.
- Pamiętać o tym, że operator ponosi odpowiedzialność za wypadki z udziałem innych ludzi i ich własności.
- Utrzymywać produkt czystym. Upewnić się, że można łatwo odczytać oznaczenia i naklejki.
- Nie wolno pozwalać dzieciom ani osobom, które nie zapoznały się z niniejszymi instrukcjami obsługi, na obsługiwanie urządzenia. Przepisy lokalne mogą narzucać ograniczenia dotyczące wieku operatora urządzenia.
- Należy zawsze kontrolować osobę o ograniczonych możliwościach fizycznych lub umysłowych podczas używania produktu. Zawsze musi jej towarzyszyć odpowiedzialna osoba dorosła.

- Osoba, która jest zmęczona, chora lub pod wpływem alkoholu, narkotyków lub leków nie może obsługiwać urządzenia. Stany te mają negatywny wpływ na wzrok, uwagę, koordynację i osąd.
- Jeżeli produkt jest uszkodzony lub nie działa prawidłowo, nie należy go używać.
- Nie wolno dokonywać w produkcji zmian stanowiących modyfikację jego oryginalnej wersji. Nie używać produktu, jeżeli istnieje podejrzenie, że ktoś inny wprowadził w nim zmiany.

Pracuj bezpiecznie



OSTRZEŻENIE: Przed rozpoczęciem użytkowania produktu przeczytać następujące ostrzeżenia.

- Stosować środki ochrony osobistej. Patrz *Środki ochrony osobistej na stronie 263*.
- Należy zawsze wiedzieć, jak szybko wyłączyć silnik w razie awarii.
- Nie używać urządzenia podczas deszczu ani w wilgotnym otoczeniu. Dostanie się wody do wnętrza urządzenia zwiększa ryzyko porażenia prądem.
- Podczas obsługi maszyny zawsze należy stać za nią.
- Nigdy nie należy podnosić maszyny przy włączonym silniku. Jeśli konieczne jest podniesienie dmuchawy, należy najpierw wyłączyć silnik i wymontować akumulatory.
- Nie należy poruszać się do tyłu podczas obsługi maszyny.
- Gdy zachodzi konieczność przechylenia produktu na czas transportu lub przed rozpoczęciem jazdy po obszarach bez trawy, np. po ścieżkach wykonanych ze żwiru, kamienia lub asfaltu, zatrzymać silnik.
- Nie należy biegać z maszyną przy włączonym silniku. Podczas obsługi maszyny zawsze należy poruszać się chodem.
- Drgania produktu podczas pracy mogą różnić się od wartości drgań deklarowanej w *Dane techniczne na stronie 269*. Różnica jest spowodowana różnymi sposobami użytkowania produktu. W przypadku częstej lub dłuższej eksploatacji produktu należy regularnie robić przerwy, aby zapobiec obrażeniom ciała w wyniku wibracji.

Instrukcje bezpieczeństwa dotyczące obsługi



OSTRZEŻENIE: Przed rozpoczęciem użytkowania produktu przeczytać następujące ostrzeżenia.

- Jeżeli użytkownik znajdzie się w sytuacji, w której nie jest pewny prawidłowości dalszego sposobu postępowania, powinien zasięgnąć porady eksperta. Zwrócić się do dilerów lub warsztatu obsługi technicznej. Użytkownik nie powinien podejmować

się pracy, gdy uważa, że nie ma wystarczających kwalifikacji.

- Należy zapewnić sobie bezpieczne poruszanie i pozycję przy pracy. Przy poruszaniu się po powierzchni roboczej należy uważać na ewentualne przeszkody (korzenie, glazy, gałęzie, doły, rowy itp.). Szczególną ostrożność należy zachować podczas pracy na pochylonym terenie.
- Należy zawsze utrzymywać równowagę i mocne oparcie dla stóp. Nie należy przeceniać swoich możliwości.
- Mając założone ochronniki słuchu należy zawsze być szczególnie uważnym na sygnały i zawołania ostrzegawcze. Ochronniki słuchu należy zdejmować zaraz po wyłączeniu maszyny.
- Nie obsługiwać produktu w pobliżu otwartych okien.
- Okazywać należyny wzgląd ludziom zamieszkującym wokół i nie używać produktu o nieodpowiednich porach, np. późnym wieczorem lub wczesnym ranem. Postępować zgodnie z lokalnie obowiązującymi przepisami i rozporządzeniami.
- Pracować produktem na możliwie najmniejszym ustawieniu przepływu powietrza. Rzadko konieczne jest stosowanie najwyższego przepływu powietrza. Wiele prac można wykonać przy połowie mocy. Im mniejszy przepływ powietrza, tym mniejszy hałas i mniej pyłu. Łatwiej jest także kontrolować zbieranie lub zdmuchiwanie śmieci.
- W warunkach dużego zapylenia należy nieco zwilżyć powierzchnię produktu.
- Używać grabi lub miotły w celu szczyzczenia śmieci, które przyłgnęły do podłoża.
- Trzymać końcówkę rury nadmuchowej możliwie najbliżej ziemi.
- Mieć na względzie dobro otoczenia. Nie kierować strumienia powietrza w stronę ludzi zwierząt, miejsc zabaw, samochodów itp.
- W wypadku miejsc zakurzonych należy je lekko zwilżyć lub korzystać z urządzeń spryskujących.
- Weź pod uwagę aktualny kierunek wiatru. Aby praca przebiegała sprawnie, pracuj zgodnie z wiatrem.
- Należy wyłączyć produkt i wyjąć akumulator, jeżeli urządzenie zaczyna nadmiernie wibrować.
- Stosowanie dmuchawy do przemieszczania dużych stert liści lub śmieci jest mało efektywne i powoduje zbyt duży hałas.
- Posprzątaj po sobie po zakończeniu pracy. Należy zwracać uwagę, aby nie zdmuchiwać śmieci na cudzy teren.
- Nie należy biegać z produktem.
- Silny strumień powietrza jest w stanie zdmuchiwać przedmioty z tak dużą siłą, że mogą one odbić się rykoszetem i spowodować obrażenie oczu.

(Rys. 16)

- Nie kierować strumienia powietrza w stronę ludzi ani zwierząt.
- Przed montażem lub demontażem akcesoriów oraz innych elementów należy wyłączyć silnik.

- Trzymać wszystkie części ciała z dala od powierzchni gorących.
- Nigdy nie pozostawiać produktu z włączonym silnikiem bez nadzoru.
- Dmuchać nie wolno używać stojąc na drabinie lub rusztowaniu.

(Rys. 17)

- Nigdy nie używać produktu, jeśli nie ma możliwości wezwania pomocy w razie wypadku.
- Należy uważać na odrzucone przedmioty. Odrzucone przez urządzenie kamienie lub odłamki mogą trafić w oczy, powodując utratę wzroku lub inne poważne obrażenia.
- Dla zwiększenia bezpieczeństwa podczas ładowania urządzenia należy stosować wyłącznik różnicowoprądowy (RCD). Wyłącznik różnicowoprądowy jest zainstalowany, aby chronić operatorów w przypadku wystąpienia awarii elektrycznej.
- Produkt ten jest znany ze swojego niskiego poziomu wibracji. Nadmierne wibracje mogą spowodować uszkodzenia naczyń krwionośnych lub nerwów u osób mających problemy z krążeniem. Zgłosić się do lekarza, jeżeli wystąpią objawy fizyczne, które mogą być związane z nadmiernymi wibracjami. Przykładami takich objawów są drętwienie, brak czucia, „łaskotanie”, „klucie”, ból, całkowita lub częściowa utrata siły, zmiany koloru skóry lub naskórka. Objawy te występują najczęściej w palcach, dłoniach lub nadgarstkach.
- Używać urządzenia tylko zgodnie z jego przeznaczeniem.
- Nie jest możliwe omówienie wszystkich sytuacji, w jakich potencjalnie możesz się znaleźć. Należy zachowywać zawsze ostrożność i kierować się zdrowym rozsądkiem. Użytkownik nie powinien podejmować się prac, jeżeli uważa, że przekraczają one jego kwalifikacje. Jeżeli po przeczytaniu niniejszej instrukcji użytkownik nadal nie ma pewności co do sposobów postępowania, nie powinien on kontynuować pracy, zanim nie zwróci się o poradę do eksperta.
- Produkt należy zawsze trzymać prawą/lewą ręką. Trzymać produkt z boku tułowia.

(Rys. 18)

Środki ochrony osobistej



OSTRZEŻENIE: Przed rozpoczęciem użytkowania produktu przeczytać następujące ostrzeżenia.

- Podczas używania produktu zawsze nosić na sobie zatwierdzone środki ochrony osobistej. Środki ochrony osobistej nie eliminują ryzyka odniesienia obrażeń, ograniczają natomiast ich rozmiar w razie zaistnienia wypadku. Skorzystać z pomocy dilerza przy wyborze odpowiedniego sprzętu.
- Stosować atestowane ochronniki słuchu.

(Rys. 19)

- Stosować atestowane środki ochrony oczu. Używając maski ochronnej twarzy, nosić także zatwierdzone okulary ochronne. Za zatwierdzone okulary ochronne uważane są takie, które są zgodne z normami ANSI Z87.1 dla USA lub EN 166 dla krajów UE.

(Rys. 20)

- W razie potrzeby użyć rękawic.

(Rys. 21)

- Zakładać obuwie ochronne ze stalowymi noskami i antypoślizgowymi podeszwami.

(Rys. 22)

- Nosić odzież wykonaną z mocnego materiału. Nosić odzież z długimi nogawkami i długimi rękawami, wykonaną z mocnego materiału. Luźne części odzieży mogą zahaczyć o krzewy lub gałęzie. Nie nosić biżuterii, krótkich spodni ani sandałów. Nie pracować bosą. Związywać włosy w sposób bezpieczny powyżej poziomu barków.
- Zawsze mieć pod ręką apteczkę pierwszej pomocy.

(Rys. 23)

Urządzenia zabezpieczające na produkcie



OSTRZEŻENIE: Przed rozpoczęciem użytkowania produktu przeczytać następujące ostrzeżenia.

- W tym rozdziale opisano funkcje bezpieczeństwa produktu, jego przeznaczenie oraz sposób przeprowadzania czynności kontrolnych i konserwacji, aby zapewnić jego poprawne działanie. Patrz wskazówki pod nagłówkiem *Przegląd produktu na stronie 258*, aby sprawdzić rozmieszczenie poszczególnych elementów w produkcie.
- Jeżeli urządzenie nie jest prawidłowo konserwowane i nie jest poddawane profesjonalnie wykonywanym naprawom i/lub obsłudze technicznej, skraca się jego żywotność i zwiększa ryzyko wypadku. Aby uzyskać dodatkowe informacje, należy skontaktować się z najbliższym punktem serwisowym.
- Nie wolno używać urządzenia, którego elementy zabezpieczające są uszkodzone. Elementy zabezpieczające produktu należy kontrolować i konserwować zgodnie z opisem w niniejszym rozdziale. Jeżeli Twój produkt nie spełnia któregokolwiek z warunków kontrolnych, skontaktuj się z przedstawicielem serwisu w celu dokonania naprawy.
- Wszelkie czynności obsługowe i naprawy produktu wymagają specjalnego przeszkolenia. Szczególnie dotyczy to elementów zabezpieczających produktu. Jeżeli produkt nie spełnia jakiegokolwiek z niżej wymienionych warunków kontrolnych, należy go oddać do warsztatu obsługi technicznej. Kupując nasze produkty, zyskujesz także gwarancję profesjonalnej obsługi i napraw. Jeżeli w miejscu

zakupu nie jest prowadzona obsługa serwisowa, można zapytać o adres najbliższego warsztatu obsługi technicznej.

Sprawdzenie klawiatury

1. Nacisnąć i przytrzymać przycisk WŁ./WYŁ. (A), aż włączy się wskaźnik zasilania (B). (Rys. 24)
2. Patrz *Rozwiązywanie problemów na stronie 268*, jeśli włączy się lub miga wskaźnik ostrzegawczy (C).

Sprawdzanie manetki gazu

- Nacisnąć i zwolnić manetkę gazu, aby upewnić się, że porusza się ona swobodnie. (Rys. 25)

Zasady bezpieczeństwa związane z akumulatorem



OSTRZEŻENIE: Przed rozpoczęciem użytkowania produktu przeczytać następujące ostrzeżenia.

- Zalecany akumulator to 40-B series. Akumulatory są zabezpieczone szyfrem programowym.
- Jako źródła zasilania do powiązanych produktów Husqvarna należy używać wyłącznie akumulatorów 40-B series. Aby uniknąć obrażeń, nie należy używać akumulatora jako źródła zasilania innych produktów.
- Ryzyko porażenia prądem. Nie zwierać zacisków akumulatora kluczami, śrubami ani innymi metalowymi przedmiotami. Może to spowodować zwarcie akumulatora.
- Nie wolno używać akumulatorów, których nie można ładować.
- Nie wkładać żadnych przedmiotów do szczelin powietrznych akumulatora.
- Chronić akumulator przed bezpośrednim działaniem promieni słonecznych, wysoką temperaturą i otwartym płomieniem. Akumulator może spowodować oparzenia i/lub oparzenia chemiczne.
- Akumulator należy chronić przed deszczem i wodą.
- Akumulator należy chronić przed działaniem mikrofal i wysokiego ciśnienia.
- Nie próbować rozbierać ani rozbijać akumulatora.
- Nie należy pozwalać na wejście kwasu akumulatorowego w kontakt ze skórą. Kwas akumulatorowy powoduje obrażenia skóry, korozję i oparzenia. W przypadku dostania się kwasu akumulatorowego do oka nie trzeć oczu, tylko płukać je wodą przez przynajmniej 15 min. Jeśli kwas akumulatorowy wejdzie w kontakt ze skórą, należy oczyścić skórę dużą ilością wody z mydłem. Uzyskać pomoc medyczną.
- Akumulator można używać w zakresie temperatur od -10°C (14°F) do 40°C (104°F).
- Do czyszczenia akumulatora i ładowarki nie należy używać wody. Patrz *Czyszczenie produktu, akumulatora i ładowarki na stronie 267*.

- Nie wolno używać uszkodzonego akumulatora.
- Przechowywać akumulatory z dala od metalowych przedmiotów, takich jak gwoździe, śruby czy biżuteria.
- Przechowywać akumulator z dala od dzieci.

Zasady bezpieczeństwa w czasie obsługi ładowarki



OSTRZEŻENIE: Przed rozpoczęciem użytkowania produktu przeczytać następujące ostrzeżenia.

- Nieprzestrzeganie zasad bezpieczeństwa stwarza ryzyko porażenia prądem lub wystąpienia zwarcia.
- Nie używać innych ładowarek do akumulatorów niż te dostarczone dla danego produktu. Należy używać wyłącznie ładowarek 40-C80 do ładowania akumulatorów zastępczych z serii 40-B.
- Nie należy podejmować prób rozmontowania ładowarki.
- Nie używać ładowarki, która jest uszkodzona lub nie działa prawidłowo.
- Nie podnosić ładowarki do akumulatora za przewód zasilający. Aby odłączyć ładowarkę do akumulatora od gniazda, wyciągnąć wtyczkę. Nie ciągnąć za przewód.
- Należy chronić wszystkie przewody i przedłużacze przed działaniem wody, olejów oraz przedmiotów o ostrych krawędziach. Uważać także, aby przewód nie został zakleszczony między obiektami np. drzwiami, furtkami lub innymi.
- Nie używać ładowarki do akumulatora w pobliżu łatwopalnych materiałów lub materiałów, które mogą powodować korozję. Upewnić się, że ładowarka nie jest przykryta. W razie zauważenia dymu lub ognia należy odłączyć ładowarkę od źródła zasilania.
- Należy ładować akumulator wyłącznie wewnątrz budynku, w miejscu z dobrym przepływem powietrza i z dala od światła słonecznego. Nie należy ładować akumulatora na zewnątrz pomieszczeń. Nie ładować akumulatora w wilgotnym otoczeniu.
- Ładowarkę można użytkować w zakresie temperatur od 5°C (41°F) do 40°C (104°F). Ładowarki należy używać w suchym, dobrze wentylowanym i wolnym od pyłów środowisku.
- Nie wkładać żadnych przedmiotów do szczelin wentylacyjnych ładowarki.
- Styków ładowarki nie należy zwierać metalowymi przedmiotami, gdyż może to wywołać zwarcie.
- Należy używać zatwierdzonych gniazd głównych, które nie są uszkodzone. Upewnić się, że przewód zasilający ładowarki nie jest uszkodzony. Jeżeli używane są przedłużacze, upewnić się, że nie są one uszkodzone.
- Nie należy ładować w ładowarkach baterii jednorazowego użytku.

Instrukcje bezpieczeństwa dotyczące konserwacji



OSTRZEŻENIE: Przed rozpoczęciem prac konserwacyjnych produktu przeczytać następujące ostrzeżenia.

- Wyjąć akumulator przed rozpoczęciem prac konserwacyjnych, innych przeglądów lub montażu produktu.
- Użytkownikowi wolno wykonywać tylko te czynności konserwacyjne i serwisowe, które są wskazane w niniejszej instrukcji obsługi. W przypadku czynności konserwacyjnych i serwisowych o szerszym zakresie należy zwrócić się do autoryzowanego serwisu.

- Do czyszczenia akumulatora ani ładowarki nie należy używać wody. Silne detergenty mogą spowodować uszkodzenie tworzywa sztucznego.
- Zaniechanie czynności konserwacyjnych skróci cykl życia produktu i zwiększy ryzyko wypadków.
- Dla wszystkich prac serwisowych i naprawczych, zwłaszcza dla urządzeń zabezpieczających na produkcie, konieczne jest specjalne przeszkolenie. Jeśli nie wszystkie opisane w niniejszej instrukcji obsługi kontrole zakończą się pomyślnie po wykonaniu konserwacji, należy zwrócić się do autoryzowanego serwisu. Gwarantujemy profesjonalne naprawy i serwisowanie produktu.
- Używaj wyłącznie oryginalnych części zamiennych.

Montaż

Wstęp



OSTRZEŻENIE: Przed zmontowaniem produktu należy zapoznać się z rozdziałem dotyczącym bezpieczeństwa.

Montaż dyszy

1. Umieścić dyszę na przedniej części produktu. (Rys. 26)
2. Docisnąć dyszę, aż będzie słyszalny odgłos kliknięcia.

Montaż ładowarki (40-C80) na ścianie



UWAGA: Do montażu ładowarki na ścianie nie należy używać śrubokręta elektrycznego. Śrubokręt elektryczny może spowodować uszkodzenie ładowarki.

1. Zamontować ładowarkę na ścianie za pomocą 2 śrub (A). W razie potrzeby użyć kołków rozporowych (B). (Rys. 27)
2. Zamocować 2 zaślepki do otworów na śruby (C).
3. Podłączyć przewód zasilający (D) do ładowarki i gniazda zasilania.

Przeznaczenie

Wstęp



OSTRZEŻENIE: Przed użyciem produktu należy zapoznać się z rozdziałem dotyczącym bezpieczeństwa.

Wykonanie kontroli funkcjonalnej przed użyciem produktu

1. Sprawdzić wlot powietrza pod kątem występowania zabrudzeń i pęknięć. Użyć szczoteczki i wyczyścić produkt z trawy i liści. Patrz *Sprawdzanie wlotu powietrza na stronie 267*.
2. Upewnić się, że produkt działa prawidłowo.
3. Sprawdzić wszystkie nakrętki i śruby oraz upewnić się, że są one dokręcone.

Akumulator



OSTRZEŻENIE: Przed rozpoczęciem korzystania z akumulatora należy przeczytać ze zrozumieniem rozdział poświęcony bezpieczeństwu. Należy również przeczytać uważnie instrukcję obsługi dołączonej do akumulatora i ładowarki.

Zapewnić akumulatorowi i ładowarce prawidłową temperaturę otoczenia.

	Temperatura otoczenia
Obsługa produktu	-5 °C – 40 °C / 23 °F - 104 °F
Ładowanie akumulatora	5 °C – 40 °C / 41 °F - 104 °F

Wskaźnik diodowy akumulatora

(Rys. 28)

Na wyświetlaczu pokazywane są informacje o stanie naładowania akumulatora oraz ewentualne problemy.

Kontrolka LED	Stan akumulatora (stan naładowania)
	40-B140
Świecą się 4 diody LED	Poziom naładowania akumulatora wynosi 76–100%.
Świecą się 3 diody LED	Poziom naładowania akumulatora wynosi 51–75%.
Świecą się 2 diody LED	Poziom naładowania akumulatora wynosi 26–50%.
Świeci się 1 dioda LED	Poziom naładowania akumulatora wynosi 6–25%.
Miga 1 dioda LED	Poziom naładowania akumulatora wynosi 0–5%.

Ładowanie akumulatora

Akumulator należy naładować przed pierwszym użyciem. Nowy akumulator jest naładowany jedynie w 30%.



UWAGA: Ładowarkę należy podłączać do gniazda zasilania o napięciu i częstotliwości zgodnymi z tabliczką znamionową.

Akumulator nie będzie się ładować, jeżeli jego temperatura przekroczy 50°C/122°F.

1. Podłączyć przewód zasilający do ładowarki.
2. Podłączyć ładowarkę do uziemionego gniazda zasilania. Dioda LED ładowania zamiga jeden raz. (Rys. 29)
3. Podłączyć akumulator do ładowarki. Zaświeci się dioda LED ładowania. Akumulator można ładować przez maks. 24 godziny. (Rys. 30)
4. Nacisnąć przycisk wskaźnika akumulatora. Jeśli zaświecą się wszystkie wskaźniki LED, akumulator jest w pełni naładowany.
5. Wyciągnąć wtyczkę przewodu zasilającego z gniazda, aby odłączyć ładowarkę od zasilania. Nie ciągnąć za przewód zasilający.
6. Akumulator należy wyjąć z ładowarki.

Podłączanie akumulatora do produktu



OSTRZEŻENIE: Należy używać wyłącznie zalecanego akumulatora Husqvarna w produkcie.

1. Należy sprawdzić, czy akumulator jest w pełni naładowany.
2. Wsunąć akumulator w komorę akumulatora, aż będzie słyszalny odgłos kliknięcia. Akumulator musi poruszać się swobodnie. W przeciwnym przypadku nie jest prawidłowo zamontowany. (Rys. 31)

Uruchamianie produktu

1. Nacisnąć i przytrzymać włącznik do momentu zapalenia się zielonej diody LED. (Rys. 32)
2. Produkt należy obsługiwać za pomocą manetki gazu.

Ustawianie optymalnego przepływu powietrza

- Nacisnąć przycisk regulacji obrotów, aby ustawić poziom przepływu powietrza. Dostępne są 3 ustawienia poziomu przepływu powietrza. (Rys. 33)

Wyłączanie produktu

1. Zwolnić manetkę gazu.
2. Nacisnąć i przytrzymać przycisk zasilania do momentu zgaśnięcia zielonej diody LED.
3. Nacisnąć przycisk zwalniający i wyciągnąć akumulator. (Rys. 34)

Funkcja automatycznego wyłączenia

Produkt ma funkcję automatycznego wyłączenia, która go zatrzymuje, gdy nie jest on używany. Zielona dioda LED wskaźnika zasilania zgaśnie i produkt zatrzyma się po upływie 3 minut.

Konserwacja

Wstęp



OSTRZEŻENIE: Przed rozpoczęciem prac konserwacyjnych należy przeczytać ze zrozumieniem rozdział poświęcony bezpieczeństwu.

Plan konserwacji



OSTRZEŻENIE: Wyjąć akumulator przed przystąpieniem do konserwacji.

Poniżej zamieszczono listę czynności konserwacyjnych, które należy wykonywać przy produkcji.

Przegląd	Codzienne	Co tydzień	Co miesiąc
Produkt należy czyścić czystą i suchą ściereczką. Nie należy stosować wody.	X		
Upewnić się, że uchwyty są suche i czyste.	X		
Sprawdzić klawiaturę.	X		
Sprawdzić manetkę gazu.	X		
Upewnić się, że nakrętki i śruby są dokręcone.	X		
Należy sprawdzić, czy akumulator nie jest uszkodzony.	X		
Sprawdzić naładowanie akumulatora.	X		
Sprawdzić, czy przyciski zwalniające akumulator nie są uszkodzone oraz czy blokują akumulator w urządzeniu.	X		
Należy sprawdzić, czy ładowarka akumulatora nie jest uszkodzona.	X		
Upewnić się, że wszystkie złącza, połączenia i przewody są czyste i nieuszkodzone.		X	
Sprawdzić połączenia akumulatora, ładowarki i urządzenia.			X

Sprawdzanie wlotu powietrza

1. Upewnić się, że wlot powietrza jest drożny. (Rys. 35)
2. W razie konieczności należy wyłączyć produkt i usunąć niepożądany materiał.



UWAGA: Zatkany wlot powietrza zmniejsza wydajność dmuchawy oraz powoduje zwiększenie temperatury silnika. Zbytne rozgrzanie silnika może doprowadzić do jego uszkodzenia.

Sprawdzanie akumulatora i ładowarki

1. Sprawdzić akumulator pod kątem uszkodzeń, na przykład pęknięć.
2. Sprawdzić ładowarkę pod kątem uszkodzeń, na przykład pęknięć.

3. Należy regularnie sprawdzać, czy przewód połączeniowy ładowarki akumulatora nie jest uszkodzony ani popękany.

Czyszczenie produktu, akumulatora i ładowarki

1. Po użyciu wyczyścić produkt za pomocą suchej szmatki.
2. Wyczyścić akumulator i ładowarkę suchą szmatką. Akumulator i zaciski należy utrzymywać w czystości.
3. Upewnić się, że styki akumulatora i ładowarki są czyste przed umieszczeniem akumulatora w ładowarce lub w produkcie.

Rozwiązywanie problemów

Klawiatura

Ekran LED	Możliwe usterki	Możliwe rozwiązania
Miga czerwona dioda LED błędu	Odchylenia temperatury.	Pozwolić, aby urządzenie ostygło.
	Zanieczyszczenie złączy akumulatora lub zablokowany wentylator.	Wyczyścić strumieniem sprężonego powietrza lub miękką szczotką.
	Akumulator rozładowany.	Naładować akumulator.
	Akumulator jest uszkodzony.	Skontaktować się ze swoim punktem serwisowym.

Akumulator

Ekran LED	Możliwe usterki	Możliwe rozwiązania
Miga zielona dioda LED.	Niskie napięcie akumulatora.	Naładować akumulator.
Miga dioda LED błędu.	Odchylenia temperatury.	Używać akumulatora w temperaturze mieszczącej się w zakresie -5 °C – 40 °C / 23 °F - 104 °F.
	Zbyt wysokie napięcie.	Upewnić się, że napięcie sieciowe jest zgodne z wartością podaną na tabliczce znamionowej produktu. Akumulator należy wyjąć z ładowarki.
Dioda LED błędu jest włączona.	Zbyt wysoka różnica między ogniwami (1 V).	Należy zwrócić się do punktu serwisowego.

Ładowarka

Ekran LED	Możliwe usterki	Możliwe rozwiązania
Kontrolka LED ładowania świeci ciągłym czerwonym światłem.	Ładowarka jest uszkodzona.	Należy zwrócić się do punktu serwisowego.
Kontrolka LED ładowania miga na zielono.	Temperatura akumulatora znajduje się poza zakresem ładowania.	Odczekać, aż akumulator ostygnie, lub ogrzać go. Gdy akumulator odzyska właściwą temperaturę, będzie mógł być ponownie użytkowany lub ładowany. Używać ładowarki w temperaturze otoczenia mieszczącej się w zakresie 5 °C – 40 °C / 41 °F - 104 °F.
Kontrolka LED ładowania miga na czerwono.	Akumulator jest uszkodzony.	Należy zwrócić się do punktu serwisowego.

Transport, przechowywanie i utylizacja

Transport i przechowywanie

- Dołączone akumulatory litowo-jonowe są zgodne z przepisami dotyczącymi towarów niebezpiecznych.
- Należy przestrzegać specjalnych zaleceń podanych na opakowaniu i etykietach, dotyczących transportu komercyjnego, w tym także usług transportowych świadczonych przez strony trzecie i spedytorów.
- Przed wysłaniem produktu należy porozmawiać z osobą przeszkoloną w zakresie materiałów niebezpiecznych. Przestrzegać wszystkich przepisów krajowych, które mają zastosowanie.
- Podczas umieszczania akumulatora w opakowaniu zabezpieczyć otwarte zaciski taśmą. Zapakować akumulator w taki sposób, aby ściśle przylegał do opakowania, co zapobiegnie jego przemieszczaniu.
- Wyjmować akumulator na czas przechowywania lub transportu.
- Przechowywać akumulator i ładowarkę w miejscu suchym i wolnym od wilgoci oraz nienarażonym na mróz.
- Nie przechowywać akumulatora w miejscu, gdzie może występować prąd statyczny. Nie przechowywać akumulatora w metalowym pojemniku.
- Przechowywać akumulator w miejscu, w którym temperatura mieści się w zakresie 5°C / 41°F and 25°C / 77°F, z dala od bezpośredniego działania promieni słonecznych.
- Przechowywać ładowarkę w miejscu, w którym temperatura mieści się w zakresie 5 °C/41 °F and 45°C/113°F, z dala od bezpośredniego działania promieni słonecznych.

- Ładowarka może być używana wyłącznie przy temperaturze otoczenia w zakresie 5 °C – 40 °C / 41 °F - 104 °F.
- Naładować akumulator od 30% do 50% przed dłuższym okresem jego przechowywania.
- Urządzenie należy przechowywać w zakresie temperatur od -40°C/-40°F do +60C°/140°F.
- Przechowywać ładowarkę w zamkniętym i suchym miejscu.
- Przechowywać akumulator z dala od ładowarki. Nie wolno pozwalać dzieciom ani innym osobom postronnym na dotykane sprzętu. Przechowywać sprzęt w miejscu, które można zamknąć.
- Przed odstawieniem produktu na dłuższe przechowywanie należy go wyczyścić oraz przeprowadzić pełny przegląd.
- Przymocować bezpiecznie produkt podczas transportu.

Usuwanie akumulatora, ładowarki i produktu

Symbole znajdujące się na produkcie oraz na opakowaniu informują o tym, że produkt nie jest zwykłym odpadem domowym. Należy poddawać go recyklingowi w punkcie zbiórki sprzętu elektrycznego i elektronicznego. Pomaga to chronić środowisko i ludzi.

Skontaktować się z lokalnymi władzami, przedsiębiorstwem gospodarki komunalnej lub dealerem w celu uzyskania szczegółowych informacji dotyczących recyklingu.

Dane techniczne

Dane techniczne

	122iB
Silnik	
Typ silnika	PMDC
Waga	
Ciężar bez akumulatora, kg	1,9
Emisja hałasu, poziomy głośności , ^{55 56}	

⁵⁵ Emisja hałasu do otoczenia mierzona jako moc akustyczna (L_{WA}) zgodnie z dyrektywą WE 2000/14/WE charakteryzuje się typowym rozproszeniem statystycznym (odchylenie standardowe) w wysokości 1,0 dB(A).

⁵⁶ Odnotowane dane dotyczące równoważnego ciśnienia akustycznego urządzenia wykazują typowe rozproszenie statystyczne (odchylenie standardowe) w wysokości 1,3 dB(A).

	122iB
Zmierzony poziom mocy akustycznej, dB(A)	92,2
Poziom głośności, gwarantowana moc akustyczna L _{WA} dB(A)	93
Poziom ciśnienia akustycznego równoważny temu, na który narażony jest użytkownik urządzenia, mierzony zgodnie z normami EN IEC 62841-4-6 i ISO 22868, dB(A):	82,8
Poziomy drgań ⁵⁷	
Poziomy drgań uchwytów mierzone zgodnie z normą EN IEC 62841-4-6, m/s ²	1,13
Wydajność pracy wentylatora	
Maksymalny przepływ objętościowy, m ³ /h	865
Maksymalna prędkość teoretyczna, m/s	53
Siła wydmuchu, N	11

Dane dotyczące hałasu i drgań są określane na podstawie maksymalnej prędkości znamionowej.

Uwaga: Zadeklarowane całkowite wartości drgań i emisji hałasu zostały zmierzone zgodnie ze standardową metodą badawczą i mogą służyć do porównywania narzędzi.

Uwaga: Zadeklarowane wartości całkowite drgań i emisji hałasu mogą być również wykorzystane do wstępnej oceny narażenia.

Uwaga: Emisja drgań i emisja hałasu występujące podczas pracy urządzenia mogą różnić się od podanych wartości całkowitych w zależności od sposobu użytkowania. Konieczne jest określenie środków bezpieczeństwa w celu ochrony operatora, w oparciu o oszacowanie narażenia w rzeczywistych warunkach użytkowania. W oszacowaniu należy uwzględnić, oprócz czasu uruchomienia, wszystkie części cyklu pracy, takie jak czas wyłączenia urządzenia i czas pracy na biegu jałowym.

Akumulatory zatwierdzone dla produktu

Akumulator	40-B140
Typ	Litowo-jonowy
Pojemność akumulatora, Ah	Patrz naklejka z informacją o wartości znamionowej akumulatora
Napięcie znamionowe, V	36
Masa, kg/funty	1,25/2,76

Zatwierdzone ładowarki

Ładowarka	40-C80
Napięcie wejściowe, V	100–240
Częstotliwość, Hz	50–60

⁵⁷ Odnotowane dane dla poziomu vibracji mają typowe rozproszenie statystyczne (odchylenie standardowe) w wysokości 1,5 m/s².

Ładowarka	40-C80
Moc, W	72
Napięcie wyjściowe, V DC/A	43 / 1,6

Deklaracja zgodności

Deklaracja zgodności UE

Firma **Husqvarna AB**, SE-561 82 Huskvarna,
SZWECJA, tel. +46-36-146500, deklarujemy z pełną
odpowiedzialnością, że produkt:

Opis	Dmuchawa akumulatorowa ręczna
Marka	Husqvarna
Typ/model	122iB
Identyfikacja	Numery seryjne z roku 2025 i nowsze

są zgodne z następującymi dyrektywami i przepisami
UE z późniejszymi zmianami:

Przepis	Opis
2006/42/WE	„w sprawie maszyn”
2014/30/UE	„w sprawie kompatybilności elektromagnetycznej”
2011/65/UE	„dotycząca ograniczenia użycia niektórych substancji niebezpiecznych w sprzęcie elektrycznym i elektronicznym”
2000/14/WE	„dotycząca emisji hałasu do środowiska”

oraz został zaprojektowany zgodnie z następującymi
normami i specyfikacjami technicznymi: EN
62841-1:2015/A11:2022, EN IEC 62841-4-6:2024/
A11:2024, EN IEC 63000:2018

EN IEC 55014-1:2021, EN IEC 55014-2:2021

Zgodnie z dyrektywą 2000/14/WE, aneks V,
deklarowane wartości dźwięku, patrz *Dane techniczne*
na stronie 269.

Huskvarna, 2025-11-03

Claes Losdal, Dyrektor ds. badań i rozwoju, Husqvarna
AB

Osoba odpowiedzialna za dokumentację techniczną



ÍNDICE

Introdução.....	273	Resolução de problemas.....	283
Segurança.....	274	Transporte, armazenamento e eliminação.....	284
Montagem.....	280	Especificações técnicas.....	284
Funcionamento.....	280	Declaração de conformidade.....	287
Manutenção.....	281		

Introdução

Vista geral do produto

(Fig. 1)

1. Bocal do soprador
2. Botão de libertação do bocal do soprador
3. Teclado
4. Interruptor de alimentação
5. Punho
6. Botão ON/OFF
7. Indicador de potência
8. Indicador de aviso (LED de erro)
9. Botão de controlo da velocidade
10. Apoios
11. Botão indicador da bateria
12. Estado da bateria
13. Indicador de aviso da bateria
14. Botão de desengate da bateria
15. Bateria
16. Indicador de dispositivo ligado e aviso
17. Conetor
18. Carregador de bateria 40-C80
19. Manual do utilizador

e o regulamento "Protection of the Environment Operations (Noise Control) Regulation 2017" (regulamento de proteção de operações no meio ambiente [controlo do ruído] de 2017) da Nova Gales do Sul. O nível de potência sonora garantido do produto está especificado em *Especificações técnicas na página 284* e na etiqueta.

(Fig. 8)

O produto ou a respetiva embalagem não são resíduos domésticos. Recicle o equipamento numa estação de reciclagem para equipamentos elétricos e eletrónicos.

(Fig. 9)

O produto está em conformidade com as diretivas aplicáveis da CE.

(Fig. 10)

Tensão nominal, V

(Fig. 11)

Corrente contínua.

Descrição do produto

O Husqvarna 122iB é um modelo de soprador com motor elétrico.

aaaa ssxxxxx

A etiqueta de tipo apresenta o número de série. **aaaa** é o ano de fabrico, **ss** é a semana de fabrico e **xxxxx** é o número sequencial.

Finalidade

Este produto é um soprador portátil fiável e fácil de utilizar para todas as tarefas de sopro e limpeza geral em casa e no jardim.

Nota: Os restantes símbolos/autocolantes existentes no produto dizem respeito a exigências específicas para homologação em alguns países.

Símbolos no produto

- (Fig. 2) AVISO: Este produto pode ser perigoso e provocar ferimentos graves ou a morte do utilizador ou de terceiros. Tenha cuidado e utilize o produto corretamente.
- (Fig. 3) Leia o manual do utilizador com atenção e certifique-se de que compreende as instruções antes de utilizar o produto.
- (Fig. 4) Utilize proteção ocular aprovada.
- (Fig. 5) AVISO – Mantenha as pessoas afastadas.
- (Fig. 6) Não exponha à chuva.
- (Fig. 7) Emissão de ruído para a etiqueta ambiental de acordo com as diretivas e regulamentos da União Europeia

Símbolos na bateria e/ou carregador de bateria

- (Fig. 12) Transformador contra-falhas.
- (Fig. 13) Utilize e armazene o carregador de bateria apenas em espaços interiores.
- (Fig. 14) Isolamento duplo.
- (Fig. 15) Recicle este produto numa estação de reciclagem para equipamentos elétricos e eletrónicos. (Válido unicamente na Europa)

Danos no produto

Não somos responsáveis por danos no nosso produto se:

- o produto tiver sido incorretamente reparado.
- o produto tiver sido reparado com peças que não sejam do fabricante ou que não sejam aprovadas pelo fabricante.
- o produto tiver um acessório que não seja do fabricante ou que não seja aprovado pelo fabricante.

- o produto não tiver sido reparado por um centro de assistência autorizado ou por uma autoridade aprovada.

Fabricante

Husqvarna AB

Drottninggatan 2, SE-561 82 Huskvarna

Segurança

Definições de segurança

Os avisos, as precauções e as notas são utilizados para indicar partes especialmente importantes do manual.



ATENÇÃO: Utilizado no caso de existir risco de ferimento ou morte para o utilizador ou transeuntes, se não forem respeitadas as instruções do manual.



CUIDADO: Utilizado se existir risco de danos para o produto, para outros materiais ou para a área adjacente, se não forem respeitadas as instruções do manual.

Nota: Utilizado para disponibilizar informações adicionais necessárias numa determinada situação.

Avisos gerais de segurança da máquina



ATENÇÃO: *Leia todos os avisos de segurança, as instruções, as ilustrações e as especificações fornecidos com esta máquina. O incumprimento das instruções indicadas abaixo poderá resultar em choques elétricos, incêndios e/ou ferimentos graves.*

Guarde todos os avisos e instruções para referência futura.

Nota: *O termo "máquina" nos avisos refere-se à sua máquina (com fios) ligada à corrente elétrica ou máquina (sem fios) de funcionamento a bateria.*

Segurança na área de trabalho

- **Mantenha a área de trabalho limpa e bem iluminada.** As áreas desarrumadas ou escuras são propícias a acidentes.
- **Não utilize a máquina em atmosferas explosivas, como na presença de líquidos, gases ou poeiras**

inflamáveis. As máquinas criam faíscas que podem inflamar poeiras ou gases.

- **Mantenha as crianças e restantes pessoas afastadas durante a utilização de uma máquina.** As distrações podem fazê-lo perder o controlo.

Segurança elétrica

- **As fichas das máquinas têm de corresponder à tomada. Nunca modifique a ficha de qualquer forma. Não utilize quaisquer fichas adaptadoras com máquinas ligadas à terra.** As fichas inalteradas e as tomadas correspondentes reduzem o risco de choque elétrico.
- **Evite o contacto corporal com superfícies ligadas à terra, tais como tubos, radiadores, fogões e frigoríficos.** Existe um risco acrescido de choque elétrico se o seu corpo estiver em contacto com a terra.
- **Não exponha as máquinas a chuva ou a condições de humidade.** A entrada de água numa máquina aumenta o risco de choque elétrico.
- **Não danifique o cabo elétrico. Nunca utilize o cabo elétrico para transportar, puxar ou desligar a máquina. Mantenha o cabo elétrico afastado de fontes de calor, óleo, arestas afiadas ou de peças em movimento.** Os cabos elétricos danificados ou emaranhados aumentam o risco de choque elétrico.
- **Ao utilizar uma máquina no exterior, utilize uma extensão elétrica adequada para utilização em exteriores.** A utilização de um cabo elétrico adequado para utilização no exterior reduz o risco de choque elétrico.
- **Se não puder evitar utilizar uma máquina num local húmido, utilize uma fonte de alimentação com corta-circuito com um dispositivo diferencial residual (RCD).** A utilização de um dispositivo de corrente residual (RCD) reduz o risco de choque elétrico.

Segurança pessoal

- **Mantenha-se em alerta, tenha atenção ao que está a fazer e use o bom senso ao utilizar uma máquina. Não utilize uma máquina se estiver cansado ou sob a influência de drogas, álcool ou medicação.** Um momento de desatenção ao utilizar as máquinas pode resultar em ferimentos pessoais graves.

- **Use equipamento de proteção pessoal. Use sempre proteção ocular.** A utilização de equipamento de proteção como máscara antipoeira, calçado de segurança antiderrapante, capacete ou protetores acústicos nas condições apropriadas irá reduzir os ferimentos pessoais.
- **Prevenção de arranque não intencional. Certifique-se de que o interruptor se encontra na posição de desligado antes de ligar a máquina a uma fonte de alimentação e/ou bateria, ou de a pegar ou transportar.** Transportar as máquinas com o dedo no interruptor ou ligar as máquinas à corrente elétrica com o interruptor ligado é um convite aos acidentes.
- **Remova qualquer chave de ajuste ou chave de porcas antes de ligar a máquina.** Uma chave de porcas ou uma chave de ajuste ligada a uma peça em rotação da máquina pode resultar em ferimentos pessoais.
- **Não se debruce. Mantenha o equilíbrio e os pés sempre bem assentes.** Isto permite um melhor controlo da máquina em situações inesperadas.
- **Vista-se adequadamente. Não use peças de roupa soltas ou joias. Mantenha o cabelo e roupas longe de quaisquer peças em movimento.** Roupas soltas, joias ou cabelo comprido podem ser apanhados nas peças em movimento.
- **Se forem fornecidos dispositivos para a ligação de equipamentos de extração e de recolha de poeiras, assegure-se de que estes estão ligados e são utilizados corretamente.** A utilização da recolha de pó pode reduzir os riscos relacionados com poeiras.
- **Siga sempre os princípios de segurança das máquinas, mesmo que já esteja familiarizado com as mesmas devido a utilização frequente.** Uma ação descuidada pode provocar ferimentos graves numa fração de segundo.

Utilização e manutenção da máquina

- **Não force a máquina. Utilize a máquina adequada à sua aplicação.** A máquina adequada proporcionará melhores resultados e permitirá uma utilização em segurança para os fins a que se destina.
- **Não utilize a máquina se o interruptor não a ligar e desligar.** Qualquer máquina que não possa ser controlada com o interruptor é perigosa e tem de ser reparada.
- **Desligue a ficha da fonte de alimentação elétrica e/ou retire a bateria, se amovível, da máquina antes de efetuar quaisquer ajustes, substituir acessórios ou guardar as máquinas.** Estas medidas de prevenção reduzem o risco de ligar a máquina acidentalmente.
- **Guarde as máquinas que não estão a ser utilizadas fora do alcance das crianças e não permita que pessoas não familiarizadas com as máquinas ou com estas instruções as utilizem.** As máquinas são perigosas nas mãos de utilizadores inexperientes.
- **Efetue a manutenção das máquinas e dos acessórios. Verifique a existência de bloqueios ou de falhas no alinhamento de peças móveis, danos das peças e qualquer outra condição que possa afetar o funcionamento da máquina. Se estiver danificada, repare a máquina antes de a utilizar.** Muitos acidentes são causados por máquinas com uma manutenção inadequada.
- **Mantenha as máquinas de corte afiadas e limpas.** As máquinas de corte com as zonas de corte afiadas e devidamente mantidas têm menos probabilidades de bloquear e são mais fáceis de controlar.
- **Utilize a máquina, acessórios e brocas, etc. de acordo com estas instruções, tendo em consideração as condições de funcionamento e o trabalho a ser executado.** A utilização da máquina para operações diferentes das previstas pode resultar numa situação perigosa.
- **Mantenha os punhos e as superfícies onde se segura secos, limpos e sem óleo nem massa lubrificante.** As superfícies onde se segura e os punhos escorregadios não permitem um controlo e um manuseamento seguros da máquina em situações inesperadas.

Utilização e manutenção da máquina a bateria

- **Recarregue a bateria apenas com o carregador especificado pelo fabricante.** Um carregador adequado para um tipo de bateria pode criar risco de incêndio quando usado com outra bateria.
- **Utilize as máquinas apenas com as baterias especificamente concebidas para as mesmas.** A utilização de quaisquer outras baterias pode criar risco de ferimentos e incêndio.
- **Quando a bateria não está a ser utilizada, mantenha-a afastada de outros objetos metálicos, como clips, moedas, chaves, pregos, parafusos ou outros objetos metálicos pequenos que possam fazer a ligação entre os dois terminais.** Provocar curto-circuitos nos terminais das baterias pode provocar queimaduras ou um incêndio.
- **Em condições extremas, é possível que o líquido da bateria vaze; evite o contacto. Se ocorrer algum contacto acidental, lave com água. Se o líquido entrar em contacto com os olhos, procure assistência médica adicional.** O líquido vertido da bateria pode provocar irritações ou queimaduras.
- **Não utilize uma bateria ou máquina que se encontre danificada ou modificada.** As baterias danificadas ou modificadas podem apresentar um comportamento imprevisível que pode resultar em incêndios, explosões ou ferimentos graves.
- **Não exponha uma bateria ou máquina a fogo ou temperaturas excessivas.** A exposição a fogo ou a temperaturas superiores a 130 °C/265 °F pode provocar uma explosão.
- **Siga todas as instruções de carregamento e não carregue a bateria ou a máquina fora do intervalo de temperatura especificado nas instruções.** Os carregamentos impróprios ou a temperaturas fora do intervalo especificado podem danificar a bateria e aumentar o risco de incêndio.

Manutenção

- **Garanta que a manutenção da sua máquina é efetuada por um técnico de reparações qualificado e que utiliza apenas peças de substituição idênticas.** Desta forma, garante a manutenção da segurança da máquina.
- **Nunca efetue a manutenção de baterias danificadas.** A manutenção das baterias deve ser efetuada apenas pelo fabricante ou por prestadores de serviços autorizados.

Avisos de segurança relativos ao soprador de jardim

- **Não utilize o soprador de jardim em condições climáticas adversas, principalmente quando existir risco de ocorrência de relâmpagos.** Isto diminui o risco de ser atingido por relâmpagos.
- **Utilize proteção ocular.** Utilizar equipamento de proteção adequado reduz o risco de ferimentos pessoais.
- **Durante o funcionamento do soprador de jardim, utilize sempre calçado antiderrapante e de proteção. Não utilize o soprador de jardim se estiver descalço ou com sandálias abertas.** Isto reduz o risco de ferimentos nos pés.
- **Não use roupas largas ou artigos como cachecóis, fios, correntes, gravatas, etc., que possam ser puxados para as entradas de ar. Amarre ou cubra o cabelo comprido para se certificar de que não é puxado para as entradas de ar.** Se algum destes itens for puxado para as entradas de ar, pode aumentar o risco de ferimentos pessoais.
- **Mantenha as pessoas afastadas durante o funcionamento do soprador de jardim.** Os detritos projetados podem aumentar o risco de ferimentos pessoais.
- **Nunca aponte o bocal do soprador na direção de pessoas ou animais de estimação ou na direção de janelas. Tenha especial cuidado ao soprar detritos perto de objetos sólidos, como árvores, automóveis e paredes, que podem provocar ricochete dos detritos.** Os objetos projetados podem danificar a propriedade e aumentar o risco de ferimentos pessoais.
- **Não utilize o soprador de jardim para soprar elementos a arder ou a fumegar, como cigarros, fósforos ou cinzas quentes.** Estas fontes de ignição podem aumentar o risco de incêndio.
- **Não toque na ventoinha enquanto ainda estiver em movimento. Desligue o soprador de jardim e aguarde até que a ventoinha pare antes de remover qualquer peça que possa dar acesso à ventoinha.** Isto reduz o risco de ferimentos provocados por peças móveis.
- **Quando remover material encravado ou efetuar a manutenção do soprador de jardim, certifique-se de que o interruptor de alimentação está desligado.** A ativação inesperada do soprador de jardim enquanto é efetuada a remoção de material encravado ou a

manutenção pode resultar em ferimentos pessoais graves.

Instruções de segurança gerais



ATENÇÃO: Leia as instruções de aviso que se seguem antes de utilizar o produto.

- Este produto é perigoso se for utilizado de forma incorreta ou se não o utilizador for cuidadoso. Podem ocorrer ferimentos graves ou mesmo morte se as instruções de segurança não forem respeitadas.
- Este produto produz um campo eletromagnético durante o funcionamento. Em determinadas circunstâncias, este campo pode interferir com o funcionamento de implantes médicos ativos ou passivos. Para diminuir o risco de ferimentos graves ou mortais, recomendamos que os portadores de implantes médicos consultem o seu médico e o fabricante do implante antes de utilizar este produto.
- Tenha sempre cuidado e use o seu senso comum. Se não tiver a certeza sobre como utilizar o produto numa situação especial, pare e fale com o seu distribuidor Husqvarna antes de continuar.
- Tenha em atenção que o utilizador é responsável pelos acidentes que incluam outras pessoas ou a respetiva propriedade.
- Mantenha o produto limpo. Certifique-se de que pode ler claramente os sinais e os autocolantes.
- Não permita a utilização do equipamento por crianças ou pessoas não familiarizadas com estas instruções. As normas locais podem restringir a idade do utilizador.
- Monitorize sempre a utilização do produto por pessoas com diminuição da capacidade física ou mental. Tem de estar sempre presente um adulto responsável.
- Não utilize o produto se estiver cansado, doente ou sob a influência de álcool, drogas ou medicamentos. Estes têm um efeito negativo na sua visão, atenção, capacidade de discernimento ou controlo físico.
- Não utilize o produto se este estiver danificado ou não funcionar corretamente.
- Não altere este produto e não o utilize se houver a possibilidade de ter sido alterado por outros.

Segurança do trabalho



ATENÇÃO: Leia as instruções de aviso que se seguem antes de utilizar o produto.

- Use equipamento de proteção pessoal. Consulte *Equipamento de proteção pessoal na página 278*.
- Certifique-se de que sabe como parar o motor rapidamente em caso de emergência.

- Não utilize o produto em condições de chuva ou de humidade. O risco de choque elétrico aumenta se entrar água no produto.
- Mantenha-se sempre por trás do produto quando o operar.
- Nunca levante o produto quando ligar o motor. Se tiver de levantar o produto, desligue o motor e remova a bateria.
- Não caminhe para trás quando operar o produto.
- Pare o motor quando for necessário inclinar o produto para transporte ou antes de se deslocar em áreas sem relva, por exemplo, caminhos em grilha, pedra e asfalto.
- Não corra com o produto quando o motor está ligado. Caminhe sempre que operar o produto.
- As vibrações no produto durante o funcionamento podem ser diferentes do valor de vibração declarado em *Especificações técnicas na página 284*. A diferença é causada por variações na forma como o produto é utilizado. Se utilizar o produto com frequência ou durante longos períodos de tempo, faça pausas regularmente para evitar ferimentos provocados por vibrações.
- Em ambientes poeirentos, humedeça ligeiramente a superfície quando utilizar o produto.
- Utilize um ancinho ou uma vassoura para soltar os resíduos colados ao solo.
- Mantenha o bocal do soprador o mais perto possível do solo.
- Observe o espaço à sua volta. Não direcione o produto para pessoas, animais, lugares de recreio, automóveis, etc.
- Minimize o tempo de sopro humedecendo ligeiramente as áreas com muito pó ou utilizando equipamento de pulverização.
- Esteja consciente da direção do vento. Trabalhe a favor do vento para facilitar o seu trabalho.
- Pare o produto e remova a bateria se o produto começar a vibrar de forma anormal.
- O uso do soprador para deslocar grandes montes de lixo é moroso e provoca ruído desnecessário.
- Deixe tudo limpo e arrumado. Certifique-se de que não soprou lixo para propriedades alheias.
- Não corra com o produto.
- A forte corrente de ar pode deslocar objetos a uma grande velocidade, o que pode fazer com que estes façam ricochete, causando graves ferimentos nos olhos.

Instruções de segurança para funcionamento



ATENÇÃO: Leia as instruções de aviso que se seguem antes de utilizar o produto.

- Se tiver alguma dúvida relativa ao procedimento a seguir, entre em contacto com um técnico especialista. Dirija-se ao seu distribuidor ou à sua oficina autorizada. Não utilize funções da máquina para as quais não está preparado.
- Certifique-se de que pode andar e estar de pé com segurança. Tenha cuidado com eventuais obstáculos (raízes, pedras, ramos, valas, etc.) em caso de deslocamento inesperado. Tenha muito cuidado ao trabalhar em terreno inclinado.
- Mantenha sempre um bom equilíbrio e os pés bem apoiados. Não se debruce.
- Quando estiver a utilizar protetores acústicos, esteja atento a sinais de aviso ou gritos. Remova sempre os protetores acústicos assim que o produto parar.
- Não utilize o produto perto de janelas abertas.
- Respeite as pessoas ao seu redor evitando utilizar o produto a horas impróprias, por exemplo, a horas avançadas da noite ou no início da manhã. Respeite a legislação e os regulamentos locais.
- Utilize o produto com o mínimo de fluxo de ar possível. Raramente é necessário utilizar o fluxo de ar máximo. Muitos procedimentos de trabalho podem ser efetuados com o fluxo de ar a metade. Um fluxo de ar mais baixo significa menos ruído e menos poeira. Também se torna mais fácil controlar o lixo a recolher/deslocar.

(Fig. 16)

- Não direcione o fluxo de ar para pessoas ou animais.
- Pare o motor antes de montar ou desmontar acessórios ou outras peças.
- Mantenha todas as partes do seu corpo afastadas de superfícies quentes.
- Nunca pouse o produto enquanto este estiver ativado sem que o tenha bem vigiado.
- Não é permitido usar o soprador em escadas nem andaimes.

(Fig. 17)

- Não utilize o produto num local em que não seja possível pedir ajuda em caso de acidente.
- Atenção a objetos arremessados. Pedras, lixo, etc., podem ser arremessados contra os olhos e causar cegueira ou ferimentos graves nos olhos.
- Utilize um disjuntor diferencial residual (RCI) para maior segurança quando carregar o produto. Encontra-se instalado um disjuntor diferencial residual para proteger os operadores em caso de falha elétrica.
- Este produto é reconhecido pela sua baixa carga de vibração. A sobre-exposição a vibrações pode levar a lesões arteriais ou nervosas em pessoas com problemas no sistema circulatório. Consulte um médico em caso de sintomas relacionados com a sobre-exposição a vibrações. Estes sintomas podem manifestar-se como entorpecimento, perda de sensibilidade, formigamento, pontadas, dor, perda de força ou alterações na cor ou condição da pele. Estes sintomas surgem normalmente nos dedos, mãos ou pulsos.

- Utilize o produto apenas para as funções a que o mesmo se destina.
- Não é possível cobrir todas as situações possíveis que poderá enfrentar. Seja sempre cuidadoso e use o senso comum. Evite todas as situações que considere estarem para além das suas capacidades. Caso se sinta inseguro acerca dos procedimentos de operação depois de ler estas instruções, consulte um perito antes de prosseguir.
- Utilize sempre a mão direita/esquerda para segurar o produto. Mantenha o produto ao lado do corpo.

(Fig. 18)

Equipamento de proteção pessoal



ATENÇÃO: Leia as instruções de aviso que se seguem antes de utilizar o produto.

- Utilize sempre equipamento de proteção pessoal aprovado ao utilizar o produto. O equipamento de proteção pessoal não previne totalmente os ferimentos mas diminui a respetiva gravidade em caso de acidente. Obtenha ajuda junto do seu distribuidor para selecionar o equipamento certo.
- Utilize protetores acústicos aprovados.

(Fig. 19)

- Utilize proteção ocular aprovada. Mesmo com viseira, é necessário utilizar óculos de proteção aprovados. É necessário que os óculos de proteção aprovados estejam em conformidade com a norma ANSI Z87.1 nos EUA ou a norma EN 166 nos países da UE.

(Fig. 20)

- Use luvas quando necessário.

(Fig. 21)

- Use botas de proteção com biqueira de aço e solas antiderrapantes.

(Fig. 22)

- Use vestuário fabricado com um tecido resistente. Use sempre calças e mangas compridas grossas. Não use vestuário largo que possa ficar preso em galhos e ramos. Não use joias, calções ou sandálias. Não realize as tarefas descalço(a). Coloque o seu cabelo acima dos ombros para maior segurança.
- Mantenha equipamentos de primeiros socorros sempre à mão.

(Fig. 23)

Dispositivos de segurança no produto



ATENÇÃO: Leia as instruções de aviso que se seguem antes de utilizar o produto.

- Nesta secção, descrevem-se as características de segurança do produto, a sua função e ainda a forma de efetuar a verificação e manutenção para garantir o funcionamento correto do mesmo. Para localizar estas peças no seu produto, consulte as instruções na secção *Vista geral do produto na página 273*.
- Se a manutenção do produto não for devidamente efetuada, e se a assistência e/ou as reparações não forem realizadas por profissionais, a vida útil do produto pode ser afetada e o risco de acidentes pode aumentar. Para obter mais informações, contacte o seu distribuidor local.
- Nunca utilize um produto com componentes de segurança danificados. O equipamento de segurança do produto tem de ser inspecionado e a sua manutenção feita conforme se descreve nesta secção. Se o produto falhar alguma destas verificações, entre em contacto com uma oficina autorizada para a sua reparação.
- Todos os trabalhos de manutenção e reparação do produto requerem formação especializada. Isto aplica-se especialmente ao equipamento de segurança do produto. Se o produto falhar alguma das verificações que se seguem, é necessário contactar a sua oficina autorizada. A compra de qualquer um dos nossos produtos garante-lhe a obtenção de reparação e assistência profissionais. Se o local da compra do produto não for um dos nossos revendedores com assistência técnica, solicite a morada da oficina autorizada mais próxima.

Verificar o teclado

1. Mantenha premido o botão ON/OFF (A) até que o indicador de potência (B) se acenda. (Fig. 24)
2. Consulte *Resolução de problemas na página 283* se o indicador de aviso (C) se acender ou ficar intermitente.

Verificar o interruptor de alimentação

- Prima e liberte o interruptor de alimentação para se certificar de que este se move livremente. (Fig. 25)

Segurança da bateria



ATENÇÃO: Leia as instruções de aviso que se seguem antes de utilizar o produto.

- A bateria recomendada é a 40-B series. As baterias contêm software encriptado.
- Utilize a bateria 40-B series recarregável como fonte de alimentação apenas para os produtos Husqvarna relacionados. Para evitar ferimentos, não utilize a bateria como fonte de alimentação para outros produtos.
- Risco de choque elétrico. Não ligue os terminais da bateria a chaves, parafusos ou outros metais. Caso contrário, pode provocar um curto-circuito da bateria.

- Não utilize baterias não recarregáveis.
- Não coloque objetos nas aberturas de ventilação da bateria.
- Mantenha a bateria afastada do sol, calor ou de chamas abertas. A bateria pode causar queimaduras e/ou queimaduras químicas.
- Mantenha a bateria afastada de chuva e condições de humidade.
- Mantenha a bateria afastada de micro-ondas e alta pressão.
- Não tente desmontar ou partir a bateria.
- Não deixe que o ácido da bateria entre em contacto com a pele. O ácido da bateria provoca ferimentos na pele, corrosão e queimaduras. Se o ácido da bateria entrar em contacto com os olhos, não os esfregue; lave os olhos com água durante, pelo menos, 15 minutos. Se o ácido da bateria entrar em contacto com a pele, tem de limpar a pele com uma grande quantidade de água e sabão. Procure assistência médica.
- Utilize a bateria a temperaturas entre -10 °C (14 °F) e 40 °C (104 °F).
- Não limpe a bateria nem o carregador de bateria com água. Consulte *Limpar o produto, a bateria e o carregador da bateria na página 282*.
- Não utilize uma bateria danificada.
- Mantenha as baterias armazenadas afastadas de objetos metálicos como, por exemplo, pregos, parafusos ou joias.
- Mantenha as baterias afastadas de crianças.

Segurança do carregador de bateria



ATENÇÃO: Leia as instruções de aviso que se seguem antes de utilizar o produto.

- Risco de choque elétrico ou curto-circuito se as instruções de segurança não forem cumpridas.
- Não utilize outros carregadores de baterias que não o fornecido para o seu produto. Utilize apenas carregadores 40-C80 para carregar as baterias de substituição da série 40-B.
- Não tente desmontar o carregador de bateria.
- Não utilize um carregador de bateria danificado ou que não funcione corretamente.
- Não utilize o cabo de alimentação para levantar o carregador de bateria. Para desligar o carregador de bateria de uma tomada elétrica, puxe a ficha. Não puxe o cabo de alimentação.
- Mantenha todos os cabos e cabos de extensão afastados de água, óleo e arestas afiadas. Certifique-se de que o cabo não fica entalado em objetos como, por exemplo, portas, cercas ou objetos equivalentes.
- Não utilize o carregador de bateria próximo de materiais inflamáveis ou materiais que possam

provocar corrosão. Certifique-se de que o carregador de bateria não está coberto. Em caso de fumo ou fogo, desligue o carregador de bateria da tomada.

- Carregue a bateria apenas em espaços interiores, com um bom fluxo de ar e sem exposição à luz solar. Não carregue a bateria no exterior. Não carregue a bateria em condições de humidade.
- Utilize apenas o carregador de bateria onde a temperatura se encontrar entre 5 °C (41 °F) e 40 °C (104 °F). Utilize o carregador em ambientes bem ventilados, secos e isentos de poeiras.
- Não coloque objetos nas aberturas de arrefecimento do carregador de bateria.
- Não ligue os terminais do carregador de bateria a objetos metálicos, uma vez que pode provocar um curto-circuito no carregador de bateria.
- Utilize tomadas de parede aprovadas e que não se encontrem danificadas. Certifique-se de que o cabo de alimentação do carregador de bateria não está danificado. Se forem utilizados cabos de extensão, certifique-se de que os mesmos não estão danificados.
- Não carregue baterias não recarregáveis nos carregadores de bateria.

Instruções de segurança para manutenção



ATENÇÃO: Leia as instruções de aviso que se seguem antes de efetuar tarefas de manutenção no produto.

- Retire a bateria antes de efetuar tarefas de manutenção, outras verificações, ou de montar o produto.
- O operador só pode efetuar as tarefas de manutenção e assistência descritas neste manual do utilizador. Contacte o seu revendedor com assistência técnica para tarefas de manutenção e assistência de maior extensão.
- Não limpe a bateria ou o carregador com água. Os detergentes fortes podem danificar o plástico.
- Se não proceder à manutenção, irá diminuir o ciclo de vida do produto e aumentar o risco de acidentes.
- É necessária formação especializada para todos os trabalhos de assistência e reparação, especialmente para os dispositivos de segurança do produto. Se, após efetuar tarefas de manutenção, nem todas as verificações deste manual forem aprovadas, contacte o seu revendedor com assistência técnica. Garantimos que existem reparações e assistência profissionais disponíveis para o seu produto.
- Utilize sempre peças sobresselentes originais.

Montagem

Introdução



ATENÇÃO: Certifique-se de que lê e compreende o capítulo sobre segurança antes de montar o produto.

Instalar o bocal

1. Coloque o bocal na extremidade dianteira do produto. (Fig. 26)
2. Empurre o bocal até ouvir um clique.

Instalar o carregador de bateria 40-C80 na parede



CUIDADO: Não utilize uma chave de parafusos elétrica para instalar o carregador de bateria na parede. Uma chave de parafusos elétrica pode causar danos no carregador de bateria.

1. Fixe o carregador de bateria na parede com os 2 parafusos (A). Utilize buchas (B), se necessário. (Fig. 27)
2. Fixe os 2 tampões dos orifícios dos parafusos (C).
3. Ligue o cabo de alimentação (D) ao carregador de bateria e a uma tomada de parede.

Funcionamento

Introdução



ATENÇÃO: Certifique-se de que lê e compreende o capítulo sobre segurança antes de usar o produto.

segurança. Deve também ler e compreender o manual do utilizador da bateria e do carregador de bateria.

Verificar o funcionamento antes de utilizar o produto

1. Verifique a entrada de ar quanto à existência de sujidade ou fissuras. Utilize uma escova e retire a relva e as folhas do produto. Consulte *Verificar a admissão de ar na página 282*.
2. Certifique-se de que o produto funciona corretamente.
3. Verifique todas as porcas e parafusos e certifique-se de que estão apertados.

Mantenha a bateria e o respetivo carregador de bateria a temperaturas ambiente corretas.

	Temperatura ambiente
Funcionamento do produto	-5 °C – 40 °C / 23 °F - 104 °F
Carregamento da bateria	5 °C – 40 °C / 41 °F - 104 °F

Bateria



ATENÇÃO: Antes de utilizar a bateria, tem de ler e compreender o capítulo sobre

Indicador LED da bateria

O visor apresenta o estado de carga e a existência de problemas com a bateria. (Fig. 28)

Indicador LED	Estado da bateria (estado de carga)
	40-B140
4 luzes LED ligadas	A bateria tem uma carga entre 76% e 100%.

Indicador LED	Estado da bateria (estado de carga)
	40-B140
3 luzes LED ligadas	A bateria tem uma carga entre 51% e 75%.
2 luzes LED ligadas	A bateria tem uma carga entre 26% e 50%.
1 luz LED ligada	A bateria tem uma carga entre 6% e 25%.
1 luz LED está intermitente	A bateria tem uma carga entre 0% e 5%.

Carregar a bateria

Carregue a bateria se se tratar da primeira vez que a utiliza. Uma bateria nova tem apenas 30% de carga.



CUIDADO: Ligue o carregador de bateria a uma tomada de alimentação com a tensão e a frequência especificadas na etiqueta de tipo.

A bateria não carrega se a respetiva temperatura for superior a 50 °C (122 °F).

1. Ligue o cabo de alimentação ao carregador de bateria.
2. Ligue o carregador de bateria a uma tomada de alimentação com ligação à terra. O LED de carregamento pisca uma vez. (Fig. 29)
3. Ligue a bateria ao carregador de bateria. O LED de carregamento acende-se. Carregue a bateria no máximo durante 24 horas. (Fig. 30)
4. Prima o botão indicador da bateria; se todos os indicadores LED se acenderem, a bateria está totalmente carregada.
5. Puxe a ficha de alimentação para desligar o carregador de bateria da tomada de alimentação. Não puxe o cabo de alimentação.
6. Remova a bateria do carregador de bateria.

Ligar a bateria ao produto



ATENÇÃO: Utilize apenas a bateria Husqvarna recomendada para o produto.

1. Certifique-se de que a bateria está completamente carregada.
2. Empurre a bateria para o suporte da bateria até ouvir um clique. A bateria tem de se mover facilmente. Caso contrário, significa que o suporte não está instalado corretamente. (Fig. 31)

Ligar o produto

1. Prima e mantenha premido o botão Start até o LED verde se acender. (Fig. 32)
2. Utilize o interruptor de alimentação para operar o produto.

Definir o fluxo de ar ideal para o seu trabalho

- Prima o botão de controlo da velocidade para definir o fluxo de ar. Existem 3 passos do fluxo de ar. (Fig. 33)

Parar o produto

1. Solte o interruptor de alimentação.
2. Prima e mantenha premido o botão de alimentação até o LED verde se apagar.
3. Prima o botão de desengate e retire a bateria. (Fig. 34)

Função de desativação automática

O produto tem uma função de desativação automática que desliga o produto, se este não for utilizado. O indicador de potência LED verde apaga-se e o produto desliga-se após 3 minutos.

Manutenção

Introdução



ATENÇÃO: Antes de efetuar qualquer tarefa de manutenção, tem de ler e compreender o capítulo sobre segurança.

Esquema de manutenção



ATENÇÃO: Retire a bateria antes de iniciar qualquer tarefa de manutenção.

A seguinte lista de tarefas de manutenção tem de ser realizada no produto.

Manutenção	Diaria-mente	Semanal-mente	Mensal-mente
Limpe o produto com um pano seco e limpo. Não utilize água.	X		
Certifique-se de que os punhos estão secos e limpos.	X		
Verifique o teclado.	X		
Verifique o interruptor de alimentação.	X		
Certifique-se de que as porcas e os parafusos estão apertados.	X		
Certifique-se de que a bateria não está danificada.	X		
Verifique a carga da bateria.	X		
Certifique-se de que os botões de desengate da bateria não estão danificados e fixam a bateria ao produto.	X		
Certifique-se de que o carregador de bateria não está danificado.	X		
Certifique-se de que todos os acoplamentos, ligações e cabos estão limpos e não danificados.		X	
Verifique as ligações na bateria, no carregador de bateria e no produto.			X

Verificar a admissão de ar

1. Certifique-se de que não existe qualquer obstrução na admissão de ar. (Fig. 35)
2. Pare o produto e retire quaisquer materiais indesejáveis, se necessário.



CUIDADO: Uma admissão de ar obstruída diminui a capacidade de sopro do produto e aumenta a temperatura de funcionamento do motor. Isto pode resultar numa avaria do motor, uma vez que este fica demasiado quente.

Examinar a bateria e o carregador da bateria

1. Examine a bateria quanto à existência de danos, por exemplo, fissuras.

2. Examine o carregador da bateria quanto à existência de danos, por exemplo, fissuras.
3. Certifique-se de que o cabo de ligação do carregador da bateria não está danificado nem apresenta fissuras.

Limpar o produto, a bateria e o carregador da bateria

1. Limpe o produto com um pano seco após a utilização.
2. Limpe a bateria e o carregador da bateria com um pano seco. Mantenha as calhas de guia da bateria limpas.
3. Certifique-se de que os terminais da bateria e do carregador da bateria se encontram limpos antes de colocar a bateria no carregador da bateria ou no produto.

Resolução de problemas

Teclado

Ecrã de LED	Falhas possíveis	Soluções possíveis
O LED de erro vermelho fica intermitente	Desvio de temperatura.	Deixe o produto arrefecer.
	Existe sujidade nos conetores da bateria ou a ventoinha está obstruída.	Limpe com ar comprimido ou uma escova suave.
	A bateria está descarregada.	Carregue a bateria.
	A bateria está danificada.	Contacte a sua oficina autorizada.

Bateria

Ecrã de LED	Falhas possíveis	Soluções possíveis
A luz LED verde fica intermitente.	Tensão da bateria baixa.	Carregue a bateria.
A luz LED de erro fica intermitente.	Desvio de temperatura.	Utilize a bateria a temperaturas entre -5 °C – 40 °C / 23 °F - 104 °F.
	Tensão demasiado alta.	Certifique-se de que a tensão da rede elétrica coincide com a tensão indicada na etiqueta de tipo do produto. Remova a bateria do carregador de bateria.
A luz LED de erro está acesa.	A diferença entre células é demasiado elevada (1 V).	Contacte o seu distribuidor com assistência técnica.

Carregador de bateria

Ecrã de LED	Falhas possíveis	Soluções possíveis
O indicador LED de carregamento está aceso a vermelho.	O carregador de bateria está danificado.	Contacte o seu distribuidor com assistência técnica.
O indicador LED de carregamento fica verde intermitente.	A temperatura da bateria está fora do intervalo de carregamento.	Deixe a bateria arrefecer ou aquecer. Quando a bateria estiver na temperatura correta, esta pode ser utilizada ou carregada novamente. Utilize o carregador de bateria a uma temperatura ambiente entre 5 °C – 40 °C / 41 °F - 104 °F.

Ecrã de LED	Falhas possíveis	Soluções possíveis
O indicador LED de carregamento fica vermelho intermitente.	A bateria está danificada.	Contacte o seu distribuidor com assistência técnica.

Transporte, armazenamento e eliminação

Transporte e armazenamento

- As baterias de íões de lítio fornecidas cumprem os requisitos da legislação sobre mercadorias perigosas.
- Cumpra o requisito especial sobre a embalagem e as etiquetas de transporte comercial, incluindo por terceiros e agentes transitários.
- Contacte uma pessoa com formação específica em material perigoso antes de enviar o produto. Cumpra todos os regulamentos nacionais aplicáveis.
- Utilize fita em contactos abertos quando colocar a bateria numa embalagem. Coloque a bateria na embalagem de forma fixa para impedir movimentos.
- Remova sempre a bateria para armazenamento ou transporte.
- Coloque a bateria e o carregador de bateria num espaço seco e sem humidade ou gelo.
- Não armazene a bateria numa área onde possa existir electricidade estática. Não armazene a bateria numa caixa metálica.
- Armazene a bateria num local onde a temperatura varie entre 5°C / 41°F and 25°C / 77°F e afastado da exposição à luz solar.
- Armazene o carregador de bateria num local onde a temperatura varie entre 5°C/41°F and 45°C/113°F e afastado da exposição à luz solar.
- Utilize o carregador de bateria apenas quando a temperatura ambiente se encontrar entre 5°C – 40°C / 41°F - 104°F.

- Carregue a bateria entre 30% a 50% antes de a armazenar durante longos períodos de tempo.
- Armazene o produto num local onde a temperatura se encontre entre -40°C/-40°F e +60°C/140°F
- Armazene o carregador de bateria num espaço fechado e seco.
- Mantenha a bateria afastada do carregador de bateria durante o armazenamento. Não permita que crianças e outras pessoas não autorizadas entrem em contacto com o equipamento. Mantenha o equipamento num espaço que possa trancar.
- Antes de armazenar o produto durante longos períodos de tempo, limpe-o e efetue uma manutenção completa.
- Fixe o produto em segurança durante o transporte.

Eliminação da bateria, do carregador da bateria e do produto

Os símbolos no produto ou na respetiva embalagem indicam que o produto não é resíduo doméstico. Recicle o equipamento numa estação de reciclagem para equipamentos elétricos e eletrónicos. Isto ajuda a evitar danos no ambiente e em pessoas.

Contacte as autoridades locais, o serviço de recolha de resíduos domésticos ou o seu concessionário para obter mais informações sobre como reciclar o seu produto.

Especificações técnicas

Especificações técnicas

	1221B
Motor	
Tipo de motor	PMDC
Peso	
Peso sem bateria, kg	1,9

	122iB
Emissões de ruído, níveis sonoros, ^{58 59}	
Nível de potência sonora, medido dB (A)	92,2
Nível de potência sonora, garantido L _{WA} dB (A)	93
Nível de pressão sonora equivalente, ao nível do ouvido do utilizador, medido de acordo com as normas EN IEC 62841-4-6 e ISO 22868, dB (A):	82,8
Níveis de vibração ⁶⁰	
Níveis de vibração nos punhos, medidos de acordo com a norma EN IEC 62841-4-6, m/s ²	1,13
Desempenho da ventoinha	
Taxa de fluxo volumétrico de pico, m ³ /h	865
Velocidade teórica de pico, m/s	53
Força de sopro, N	11

Os dados de ruído e vibração são determinados com base na velocidade máxima nominal.

Nota: O valor total de vibração e os valores de emissão de ruído declarados foram medidos de acordo com um método de teste padrão e podem ser utilizados para comparar ferramentas.

Nota: O valor total de vibração e os valores de emissão de ruído declarados também podem ser utilizados numa avaliação preliminar da exposição.

Nota: A emissão de ruído e vibrações durante a utilização real do produto pode ser diferente do valor total declarado, dependendo da forma como o produto é utilizado. É necessário identificar medidas de segurança para proteger o utilizador, com base numa estimativa da exposição nas condições de utilização reais. Inclua todas as fases do ciclo de funcionamento na estimativa, como o número de vezes em que o produto é desligado e em que está em rotação em vazio ou ativado.

Baterias aprovadas para o produto

Bateria	40-B140
Tipo	lões de lítio
Capacidade da bateria, Ah	Consulte o dístico de classificação da bateria
Tensão nominal, V	36
Peso, kg/lbs	1,25/2,76

⁵⁸ As emissões de ruído medidas no ambiente sob a forma de potência sonora (L_{WA}), em conformidade com a diretiva CE 2000/14/CE, têm uma dispersão estatística típica (desvio padrão) de 1,0 dB(A).

⁵⁹ Os dados registados para o nível de pressão sonora equivalente da máquina têm uma dispersão estatística típica (desvio padrão) de 1,3 dB(A).

⁶⁰ Os dados comunicados relativamente ao nível de vibração têm uma dispersão estatística típica (desvio padrão) de 1,5 m/s².

Carregadores de bateria aprovados

Carregador de bateria	40-C80
Tensão de entrada, V	100–240
Frequência, Hz	50–60
Potência, W	72
Tensão de saída, V CC / Amperes, A	43/1,6

Declaração de conformidade

Declaração UE de conformidade

A **Husqvarna AB**, SE-561 82 Huskvarna, SUÉCIA,
tel.: +46-36-146500, declara, sob sua inteira
responsabilidade, que o produto:

Descrição	Soprador portátil a bateria
Marca	Husqvarna
Tipo/Modelo	122iB
Identificação	Os números de série referentes a 2025 e posteriores

está em conformidade com as seguintes diretivas e
regulamentos da UE, com as respetivas alterações:

Regulamento	Descrição
2006/42/CE	"relativa a máquinas"
2014/30/UE	"relativa à compatibilidade eletromagnética"
2011/65/UE	"relativa à restrição do uso de determinadas substâncias perigosas em equipamento elétrico e eletrónico"
2000/14/CE	"relativa a emissões de ruído para o ambiente"

e que as seguintes normas e/ou especificações técnicas
são aplicadas: EN 62841-1:2015/A11:2022, EN IEC
62841-4-6:2024/A11:2024, EN IEC 63000:2018

EN IEC 55014-1:2021, EN IEC 55014-2:2021

De acordo com a Diretiva 2000/14/CE, Anexo V,
consulte *Especificações técnicas na página 284* para
obter os valores declarados de som.

Huskvarna, 2025-11-03

Claes Losdal, gestor de I&D, Husqvarna AB
Responsável pela documentação técnica



CUPRINS

Introducere.....	288	Depanarea.....	298
Siguranță.....	289	Transportul, depozitarea și eliminarea.....	299
Asamblarea.....	294	Date tehnice.....	299
Funcționarea.....	295	Declarație de conformitate.....	301
Întreținere.....	296		

Prezentare generală a produsului

(Fig. 1)

1. Duză deflator
2. Buton de eliberare pentru duza de suflantă
3. Tastatură
4. Întrerupător
5. Mâner
6. Buton On/Off (Pornire/Oprire)
7. Indicator de alimentare
8. LED de eroare indicator de avertisment
9. Buton de control viteză
10. Suporturi
11. Buton indicator baterie
12. Stare baterie
13. Indicator de avertisment baterie
14. Buton de eliberare a bateriei
15. Baterie
16. Indicator de pornire și avertizare
17. Conector
18. Încărcător de baterii 40-C80
19. Manual de utilizare

Descrierea produsului

Husqvarna 122iB este un model de suflantă cu motor electric.

Destinația produsului

Acest produs este o suflantă portabilă fiabilă și ușor de utilizat pentru toate sarcinile de suflare și de curățare generală din casă și grădină.

Simbolurile de pe produs

- (Fig. 2) AVERTISMENT: Acest produs poate fi periculos și poate cauza vătămări corporale grave sau decesul operatorului sau al altor persoane. Aveți grijă să utilizați corect produsul.
- (Fig. 3) Citiți cu atenție manualul operatorului și asigurați-vă că înțelegeți instrucțiunile înainte de a utiliza produsul.
- (Fig. 4) Utilizați ochelari de protecție omologați.
- (Fig. 5) AVERTISMENT - țineți persoanele din apropiere la distanță.
- (Fig. 6) Nu expuneți la ploaie.

(Fig. 7)

Etichetă privind emisiile de zgomot în mediu, conform directivelor și reglementărilor din UE și legislației din New South Wales „Regulamentul privind măsurile de protecție a mediului (controlul zgomotului) din 2017”. Nivelul de putere sonoră garantat al produsului este specificat în *Date tehnice la pagina 299* și pe etichetă.

(Fig. 8)

Nici produsul și nici ambalajul său nu sunt deșeuri menajere. Reciclați la un centru de reciclare pentru echipamente electrice și electronice.

(Fig. 9)

Produsul respectă directivele CE aplicabile.

(Fig. 10)

Tensiune nominală, V

(Fig. 11)

Curent continuu.

aaaa wwwwxxx

Plăcuța de identificare indică numărul de serie. **aaaa** este anul fabricației, **ss** este săptămâna fabricației, iar **xxxxx** este numărul de ordine.

Nota: Alte simboluri/etichete de pe produs se referă la cerințe de certificare specifice pentru anumite piețe.

Simbolurile de pe baterie și/sau de pe încărcător

- (Fig. 12) Transformator autoprotejat.
- (Fig. 13) Utilizați și păstrați încărcătorul de baterii numai în interior.
- (Fig. 14) Izolație dublă.
- (Fig. 15) Reciclați acest produs la un centru de reciclare pentru echipamente electrice și electronice. (Este valabilă numai pentru Europa)

Deteriorarea produsului

Nu suntem responsabili pentru deteriorarea produsului dacă:

- produsul este reparat necorespunzător.
- produsul este reparat cu piese care nu provin de la producător sau care nu sunt aprobate de acesta.
- produsul are un accesoriu care nu provine de la producător sau care nu este aprobat de acesta.

- produsul nu este reparat la un centru de service omologat sau de o autoritate omologată.

Producător

Husqvarna AB

Drottninggatan 2, SE-561 82 Huskvarna

Siguranță

Definiții privind siguranța

Avertismentele, atenționările și notele sunt utilizate pentru a desemna părți foarte importante din manual.



AVERTISMENT: Se utilizează dacă există risc de vătămare sau de deces pentru operator sau pentru trecători, în cazul în care instrucțiunile din manual nu sunt respectate.



ATENȚIE: Se utilizează dacă există un risc de deteriorare a produsului, a altor materiale sau a zonelor învecinate, dacă instrucțiunile din manual nu sunt respectate.

Nota: Se utilizează pentru a furniza mai multe informații care sunt necesare într-o situație dată.

Instrucțiuni generale de siguranță pentru utilaje



AVERTISMENT: Citiți toate instrucțiunile de siguranță și instrucțiunile de utilizare, ilustrațiile și specificațiile furnizate cu acest utilaj. *Nerespectarea instrucțiunilor enumerate mai jos poate avea ca rezultat electrocutare, incendii și/sau vătămări corporale grave.*

Păstrați toate avertismentele și instrucțiunile pentru consultare ulterioară.

Nota: *Noțiunea de „utilaj” folosită în instrucțiunile de siguranță se referă atât la utilajul alimentat de la rețea (cu cablu), cât și la utilajul cu acumulator (fără cablu).*

Siguranța zonei de lucru

- **Păstrați zona de lucru curată și bine iluminată.** Zonele dezordonate sau întunecoase provoacă accidente.
- **Nu folosiți utilajul în medii explozive în care sunt prezente lichide, gaze sau prafuri inflamabile.**

Sculele electrice produc scântei care pot aprinde praful sau aburul.

- **În timpul folosirii utilajului țineți la distanță copiii și orice alte persoane.** Distragerea atenției poate cauza pierderea controlului.

Siguranța privind echipamentele electrice

- **Mufa de conectare a utilajului trebuie să se potrivească la priză. Este interzisă modificarea de orice fel a fișei. Nu utilizați adaptoare de șteacăru cu utilajele cu împământare (legate la masă).** Fișele nemodificate și prizele potrivite reduc pericolul electrocutării.
- **Evitați contactul cu corpul a suprafețelor de împământare sau legate la masă, cum ar fi țevi, radiatoare, plite și răcitoare.** Există un pericol sporit de electrocutare dacă împământarea sau legarea la masă se face prin corpul dvs.
- **Nu expuneți utilajele la ploaie și la condiții de umiditate.** Pătrunderea apei în utilaj mărește riscul de electrocutare.
- **Nu folosiți cablul în mod abuziv. Nu utilizați niciodată cablul la transportarea, tragerea sau deconectarea utilajului. Feriți cablul de căldură, ulei, muchii ascuțite sau părțile în mișcare ale aparatului.** Cablurile deteriorate sau încurcate cresc riscul electrocutării.
- **Când lucrați cu utilajul afară, folosiți un cablu prelungitor potrivit pentru utilizarea la exterior.** Folosirea unui cablu adecvat pentru utilizarea la exterior reduce riscul de electrocutare.
- **Dacă întrebuințarea unui utilaj într-un loc cu umiditate mare nu poate fi evitată, utilizați o sursă cu dispozitiv de protecție împotriva curentului rezidual (RCD).** Folosirea unui RCD reduce pericolul de electrocutare.

Siguranța personală

- **Fiți mereu atent, uitați-vă la ce faceți și dați dovadă de simț practic când utilizați utilajul. Nu folosiți utilajul dacă sunteți obosit sau sub influența drogurilor, alcoolului sau medicamentelor.** Un moment de neatenție în timpul folosirii utilajului poate duce la leziuni grave.
- **Utilizați echipament individual de protecție. Purtați întotdeauna ochelari de protecție.** Purtarea echipamentelor de protecție individuală, cum ar fi

masca împotriva prafului, încălțăminta de protecție antiderapantă, casca de protecție sau căștile de protecție auditivă, corespunzător tipului și utilizării scutei electrice, reduce riscul rănilor.

- **Evitați pornirea accidentală. Înainte de a conecta utilajul la sursa de alimentare și/sau la baterie, de a-l ridica sau de a-l transporta, verificați comutatorul pentru a vă asigura că este în poziția oprit.** Transportul utilajelor cu degetul pe comutator sau conectarea la priză a utilajelor pornite poate duce la accidente.
- **Îndepărtați toate cheile de reglare sau cheile fixe înainte de a porni utilajul.** O cheie fixă care a rămas prinsă la o piesă rotativă a utilajului poate duce la răniri.
- **Nu vă întindeți prea mult. Să aveți întotdeauna o poziție stabilă și păstrați-vă întotdeauna echilibrul.** Acest lucru permite un control mai bun al utilajului în situații neașteptate.
- **Îmbrăcați-vă corespunzător. Nu purtați haine largi sau bijuterii. Țineți părul și îmbrăcămintea la distanță de piesele în mișcare.** Hainele lejere, bijuteriile sau părul lung pot fi prinse de piesele aflate în mișcare.
- **Dacă este posibilă montarea dispozitivelor de aspirare și colectare a prafului, asigurați-vă că acestea sunt conectate și utilizate corespunzător.** Folosirea dispozitivelor de aspirare a prafului poate reduce pericolele legate de praf.
- **Nu vă bazați pe o siguranță greșită și nu ignorați regulile de siguranță pentru scule electrice, chiar dacă sunteți familiarizat prin utilizarea multiplă a sculei electrice.** Comportamentul neglijent poate cauza accidente grave în doar câteva fracțiuni de secundă.

Utilizarea și întreținerea utilajului

- **Nu suprasolicitați utilajul. Folosiți utilajul potrivit pentru munca pe care o efectuați.** Utilajul potrivit va efectua lucrarea mai rapid și în condiții de siguranță mai bune la viteza de lucru pentru care a fost proiectat.
- **Nu utilizați utilajul în cazul în care nu poate fi pornit sau oprit de la comutator.** Orice utilaj imposibil de controlat cu ajutorul comutatorului este periculos și trebuie reparat.
- **Deconectați ștecărul de la sursa de alimentare și/sau scoateți acumulatorul, dacă este detașabil, de la utilaj înainte de a face reglaje, de a schimba accesoriile sau de a depozita utilajul.** Aceste măsuri de prevenție împiedică pornirea accidentală a utilajului.
- **Nu lăsați utilajele nefolosite la îndemâna copiilor și nu permiteți persoanelor care nu sunt familiarizate cu ele sau cu instrucțiunile acestora să le folosească.** În mâinile unei persoane fără experiență aceste utilaje pot fi periculoase.
- **Întrețineți utilajele și accesoriile. Verificați centrarea sau legarea incorectă a pieselor în mișcare, ruperea pieselor și orice alte stări care pot afecta funcționarea utilajelor. Dacă este avariat,**

duceți utilajul la reparat înainte de a-l folosi.

Multe accidente sunt provocate de utilajele prost întreținute.

- **Păstrați utilajele de tăiere ascuțite și curate.** Utilajele de tăiere cu tășuri ascuțite întreținute corespunzător au mai puține șanse să se blocheze și, în plus, sunt mai ușor de controlat.
- **Folosiți utilajul, accesoriile și piesele etc. în conformitate cu aceste instrucțiuni, luând în considerare condițiile de lucru și activitatea care urmează să fie efectuată.** Folosirea utilajului pentru operații diferite de cele pentru care este destinat poate duce la apariția unor situații periculoase.
- **Mentțineți mânerul și suprafețele de prindere uscate, curate, fără ulei și unsoare.** Mânerul și suprafețele de prindere alunecoase nu permit operarea și controlul sigure ale utilajului în situații neprevăzute.

Utilizarea și întreținerea echipamentelor pe acumulator

- **Reîncărcați numai cu încărcătorul specificat de producător.** Un încărcător adecvat pentru un tip de baterie poate constitui pericol de incendiu atunci când este utilizat cu un alt tip de baterie.
- **Folosiți utilajele numai cu acumulatorii special indicați.** Utilizarea unui alt tip de acumulator poate constitui pericol de vătămări corporale și de incendiu.
- **Când acumulatorul nu este utilizat, păstrați-l departe de alte obiecte metalice, precum agrafe de birou, monede, chei, cui, suruburi sau alte obiecte mici de metal, care pot crea o conexiune între borne.** Scurtcircuitarea bornelor bateriei poate cauza arsuri sau incendii.
- **În condiții de utilizare neadecvată, din baterie pot ieși stropi de lichid; evitați contactul. Totuși, dacă intrați accidental în contact cu lichidul respectiv, spălați cu apă. Dacă lichidul intră în contact cu ochii, consultați un medic.** Lichidul care se scurge din baterie poate cauza iritații sau arsuri.
- **Nu utilizați acumulatorul sau echipamentul dacă sunt deteriorate sau modificate.** Bateriile deteriorate sau modificate pot prezenta un comportament imprevizibil, care poate duce la incendii, explozii sau pericol de vătămări corporale.
- **Nu expuneți acumulatorul sau echipamentul la flăcări sau la temperaturi excesive.** Expunerea la flăcări sau la temperaturi de peste 130°C/265°F poate cauza explozii.
- **Respectați toate instrucțiunile de încărcare și nu încărcați acumulatorul sau echipamentul în afara intervalului de temperaturi specificat în instrucțiuni.** Încărcarea incorectă sau la temperaturi în afara intervalului specificat poate duce la deteriorarea bateriei și crește pericolul de incendiu.

Service

- **Cereți ca utilajul să fie reparat numai de un tehnician de reparații calificat, care să folosească numai**

pieșe de schimb identice. În acest fel se asigură menținerea securității utilajului.

- **Nu reparați niciodată acumulatori deteriorați.** Repararea acumulatorilor trebuie efectuată numai de către producător sau de către furnizorii de servicii autorizați.

Avertismente privind siguranța suflantei

- **Nu utilizați suflanta în condiții de vreme nefavorabilă, mai ales când există risc de descărcări electrice.** Aceasta reduce riscul de a fi lovit de trăsnet.
- **Purtați ochelari de protecție.** Un echipament de protecție adecvat va reduce riscul de vătămare corporală.
- **În timp ce folosiți suflanta, purtați mereu încălțăminte antiderapantă de protecție. Nu utilizați suflanta desculți sau purtând pantofi deschiși la vârf.** Acest lucru reduce riscul de rănire a picioarelor.
- **Nu purtați haine sau articole de îmbrăcăminte largi, cum ar fi eșarfe, șnururi, lanțuri, cravate etc., care ar putea fi atrase în orificiile de admisie aerului. Legați la spate sau acoperiți părul lung pentru a vă asigura că acesta nu va fi atras în orificiile de admisie a aerului.** Dacă oricare dintre aceste obiecte este atras în orificiile de admisie a aerului, poate crește riscul de vătămare corporală.
- **Țineți la distanță persoanele aflate în preajmă în timpul funcționării suflantei.** Resturile aruncate pot crește riscul de vătămare corporală.
- **Nu îndreptați niciodată duza suflantei în direcția persoanelor sau a animalelor de companie sau în direcția ferestrelor. Fiți foarte atenți atunci când suflați resturile în apropierea unor obiecte solide, cum ar fi copaci, automobile și pereți care pot provoca ricoșarea resturilor.** Obiectele aruncate pot deteriora bunurile și pot crește riscul de vătămare corporală.
- **Nu folosiți suflanta pentru a sufla nimic care arde sau scoate fum, cum ar fi țigări, chibrituri sau cenușă fierbinte.** Aceste surse de aprindere pot crește riscul de incendiu.
- **Nu atingeți ventilatorul în timp ce acesta este încă în mișcare. Oprii suflanta și așteptați până când ventilatorul se oprește înainte de a scoate orice parte care poate oferi acces la ventilator.** Astfel reduceți riscul de vătămări corporale produse de componentele în mișcare.
- **Atunci când curățați materialul blocat sau efectuați lucrări de service asupra suflantei, asigurați-vă că comutatorul de alimentare este oprit.** Acționarea accidentală a suflantei de grădină în timpul îndepărtării materialului blocat sau lucrărilor de service poate cauza vătămări corporale grave.

Instrucțiuni generale de siguranță



AVERTISMENT: Înainte de a utiliza produsul, citiți instrucțiunile de avertizare de mai jos.

- Acest produs este periculos dacă este utilizat incorect sau dacă nu sunteți atent. Nerespectarea instrucțiunilor de siguranță poate cauza vătămări corporale sau decesul.
- În timpul funcționării, acest produs generează un câmp electromagnetic. În anumite condiții, acest câmp poate interfera cu implanturile medicale active sau pasive. Pentru a reduce riscul de vătămări corporale grave sau mortale, recomandăm persoanelor cu implanturi medicale să consulte medicul și producătorul implantului medical înainte de a utiliza acest produs.
- Procedați întotdeauna cu atenție și folosiți-vă judecata. Dacă nu sunteți sigur cum să utilizați produsul într-o situație specială, opriți-l și adresați-vă distribuitorului Husqvarna înainte de a continua.
- Rețineți că operatorul poartă responsabilitatea privind orice accidente care implică alte persoane sau bunurile lor.
- Păstrați produsul curat. Asigurați-vă că puteți citi clar semnele și autocolantele.
- Nu lăsați niciodată copiii sau persoanele nefamiliarizate cu aceste instrucțiuni să folosească aparatul. Este posibil ca reglementările locale să limiteze vârsta operatorului.
- Monitorizați permanent o persoană cu capacități fizice sau mintale reduse, care utilizează produsul. Un adult responsabil trebuie să fie prezent în permanență.
- Nu utilizați produsul atunci când sunteți obosit, bolnav sau dacă ați consumat alcool, droguri sau ați luat medicamente. Acestea vă afectează negativ acuitatea vizuală, atenția, coordonarea și judecata.
- Nu folosiți produsul dacă este deteriorat sau dacă nu funcționează corect.
- Nu modificați acest produs și nu îl utilizați dacă este posibil să fi fost modificat de către alte persoane.

Siguranța în lucru



AVERTISMENT: Înainte de a utiliza produsul, citiți instrucțiunile de avertizare de mai jos.

- Utilizați echipament individual de protecție. Consultați *Echipament de protecție personală la pagina 293*.
- Asigurați-vă că știți cum să opriți rapid motorul în caz de urgență.
- Nu utilizați produsul în ploaie sau în condiții de umezeală. Riscul de electrocutare crește dacă apa pătrunde în produs.
- Stați întotdeauna în spatele produsului atunci când îl utilizați.
- Nu ridicați niciodată produsul când motorul este pornit. Dacă trebuie să ridicați produsul, opriți motorul și scoateți bateria.
- Nu mergeți cu spatele în timp ce utilizați produsul.

- Opriți motorul când este necesar să înclinați produsul pentru transport sau înainte de a trece peste o zonă fără iarbă, de exemplu poteci de pietriș, piatră sau asfalt.
- Nu alergați cu produsul când motorul este pornit. Întotdeauna mergeți în timp ce utilizați produsul.
- Vibrațiile produsului în timpul funcționării pot fi diferite de valoarea de vibrații declarată în *Date tehnice la pagina 299*. Diferența este dată de variațiile din modulele de utilizare a produsului. Dacă întrebuințați produsul frecvent sau pe durate mari, faceți pauze dese pentru a preveni afecțiunile fizice determinate de vibrații.
- Reduceți la minimum timpul de suflare prin umezirea ușoară a zonelor de praf sau prin utilizarea echipamentului de pulverizare.
- Fiți atenți la direcția vântului. Folosiți-vă de vânt pentru a vă ușura munca.
- Opriți produsul și scoateți bateria dacă aparatul începe să vibreze în mod anormal.
- Utilizarea suflantei pentru mutarea unor grămezi mari irășește timpul și generează zgomot inutil.
- La final, curățați zona de lucru. Asigurați-vă că nu ați suflat gunoi în grădina altei persoane.
- Nu alergați când cărați produsul.
- Curenții puternici de aer pot deplasa obiectele la viteze suficiente de mari pentru ca acestea să ricoșeze înapoi și să cauzeze vătămări oculare grave.

Instrucțiuni de siguranță pentru utilizare



AVERTISMENT: Înainte de a utiliza produsul, citiți instrucțiunile de avertizare de mai jos.

- Dacă întâlniți o situație în care nu știți sigur cum să procedați, trebuie să întrebați un specialist. Contactați distribuitorul sau atelierul de service. Evitați utilizările care, în opinia dvs., vă depășesc abilitățile.
- Asigurați-vă că vă puteți deplasa și sta în picioare în siguranță. Verificați dacă în zona din jurul dvs. nu există posibile obstacole (rădăcini, pietre, crengi, șanțuri etc.) în caz că trebuie să vă deplasați brusc. Aveți mare grijă în timp ce lucrați pe teren în pantă.
- Păstrați un echilibru optim și stabilitatea picioarelor în mod constant. Nu vă întindeți prea mult.
- Ascultați semnalele de avertisment sau strigătele când purtați echipament pentru protecția auzului. Îndepărtați întotdeauna protecția pentru auz imediat ce se oprește produsul.
- Nu utilizați produsul în apropierea ferestrelor deschise.
- Respectați persoanele din zona de lucru evitând să utilizați produsul la ore nepotrivite, cum ar fi seara târziu sau dimineața devreme. Respectați reglementările și ordonanțele locale.
- Utilizați produsul la cel mai mic debit de aer posibil. Rareori este necesar să utilizați debitul de aer maxim, multe dintre procedurile de lucru putând fi executate la jumătate din debitul de aer. Un debit de aer mai mic înseamnă mai puțin zgomot și mai puțin praf și, de asemenea, facilitează controlul asupra gunoiului colectat/mutat.
- În condiții de praf, umeziți ușor suprafața atunci când utilizați produsul.
- Pentru a disloca gunoiul lipit de sol, utilizați o greblă sau o perie.
- Țineți gura suflantei cât mai aproape de sol.
- Observați zona înconjurătoare. Îndreptați produsul în direcția opusă persoanelor, animalelor, zonelor de joacă, vehiculelor etc.

(Fig. 16)

- Nu îndreptați debitul de aer spre persoane sau animale.
- Opriți motorul înainte de a asambla sau dezambla accesoriile sau alte piese.
- Feriți-vă toate părțile corpului de suprafețele fierbinți.
- Nu lăsați niciodată produsul jos atunci când este activat decât dacă aveți o vizibilitate bună asupra acestuia.
- Suflanta nu trebuie utilizată pe scări sau pe eșafodaje.

(Fig. 17)

- Nu utilizați produsul decât în situații în care puteți cere ajutor în caz de accident.
- Fiți atenți la obiectele azvârlite. Pietrele, gunoiul etc. pot fi azvârlite în ochi, cauzând orbire sau vătămare gravă.
- Utilizați un dispozitiv cu curent rezidual (RCI) pentru un plus de securitate atunci când încărcați produsul. Un dispozitiv de curent rezidual este montat pentru a proteja operatorii în cazul apariției unei defecțiuni electrice.
- Acest produs este recunoscut pentru vibrațiile reduse. Expunerea prelungită la vibrații poate duce la afecțiuni circulatorii sau la deteriorări ale nervilor la persoane care au o circulație defectuoasă. Contactați medicul dacă prezentați simptome de expunere prelungită la vibrații. Astfel de simptome includ amorțeală, pierderea sensibilității tactile, gâdilături, ciupituri, durere, pierderea forței, modificări în culoarea sau în starea pielii. Aceste simptome apar în mod normal la degete, mâini sau încheieturi.
- Utilizați produsul numai în scopul pentru care acesta a fost conceput.
- Nu este posibil să prezentăm toate situațiile imaginabile cu care vă puteți confrunta. Lucrați întotdeauna cu atenție și folosiți-vă gândirea. Evitați toate situațiile care considerați că vă depășesc capacitatea de reacție. Dacă totuși vă simiți nesiguri în legătură cu procedurile de operare după

citirea acestor instrucțiuni, trebuie să consultați un specialist înainte de a continua.

- Utilizați întotdeauna mâna stângă/dreaptă pentru a ține produsul. Țineți produsul pe lângă corp.

(Fig. 18)

Echipament de protecție personală



AVERTISMENT: Înainte de a utiliza produsul, citiți instrucțiunile de avertizare de mai jos.

- Utilizați întotdeauna echipamente de protecție personală atunci când folosiți produsul. Echipamentul individual de protecție nu poate elimina complet riscul de rănire, însă poate reduce gravitatea rănilor în cazul unui accident. Distribuitorul vă poate ajuta să alegeți echipamentul corect.
- Utilizați un sistem omologat de protecție a auzului.

(Fig. 19)

- Utilizați ochelari de protecție omologați. Dacă utilizați un vizor de protecție, trebuie să purtați și ochelari de protecție. Ochelarii de protecție trebuie să fie conformi cu standardul ANSI Z87.1 în S.U.A. sau EN 166 în țările din UE.

(Fig. 20)

- Utilizați mănuși dacă este necesar.

(Fig. 21)

- Utilizați cizme de protecție cu bombeuri din oțel și tălpi antiderapante.

(Fig. 22)

- Purtați haine din țesături rezistente. Purtați întotdeauna pantaloni lungi, din material gros, și îmbrăcăminte cu mâneci lungi. Nu purtați haine largi, care se pot prinde în crenguțe și ramuri. Nu folosiți bijuterii, pantaloni scurți sau sandale. Nu utilizați produsul cu picioarele goale. Strângeți-vă părul în siguranță, deasupra nivelului umărului.
- Păstrați la îndemână echipament de prim ajutor.

(Fig. 23)

Dispozitivele de siguranță de pe produs



AVERTISMENT: Înainte de a utiliza produsul, citiți instrucțiunile de avertizare de mai jos.

- În această secțiune sunt descrise caracteristicile de siguranță al produsului, scopul său și modul în care trebuie efectuate verificările și întreținerea pentru a asigura funcționarea corectă. Consultați instrucțiunile din capitolul *Prezentare generală a produsului la pagina 288* pentru a afla unde sunt amplasate aceste piese pe produsul dvs.
- Durata de viață a produsului se poate reduce, iar riscul de accidente se poate mări dacă întreținerea produsului nu este efectuată corect,

iar reglarea și/sau reparațiile nu sunt executate în mod profesional. Dacă aveți nevoie de informații suplimentare, contactați cel mai apropiat furnizor de service.

- Nu utilizați niciodată un produs cu componente de siguranță deteriorate. Echipamentul de siguranță al produsului trebuie inspectat și întreținut conform indicațiilor din acest capitol. Dacă produsul nu trece oricare dintre următoarele verificări, contactați agentul de service pentru reparații.
- Toate operațiunile de service și de reparații asupra produsului necesită instruire specială. Acest lucru se aplică în special cu privire la echipamentele de siguranță ale produsului. În cazul în care produsul dvs. nu are rezultat pozitiv la oricare dintre verificările descrise mai jos, trebuie să contactați agentul de service local. Atunci când achiziționați oricare dintre produsele noastre, garantăm disponibilitatea reparațiilor și service-ului profesionist. Dacă distribuitorul care comercializează produsul nu este dealer de service, solicitați-i adresa celui mai apropiat agent de service.

Verificarea tastaturii

1. Apăsăți și mențineți apăsat pe butonul ON/OFF (A) până se aprinde indicatorul (B) al bateriei. (Fig. 24)
2. Consultați *Depanarea la pagina 298* dacă indicatorul de avertisment (C) este aprins sau se aprinde intermitent.

Pentru verificarea întrerupătorului

- Apăsăți și eliberați întrerupătorul pentru a vă asigura că se mișcă liber. (Fig. 25)

Siguranța bateriei



AVERTISMENT: Înainte de a utiliza produsul, citiți instrucțiunile de avertizare de mai jos.

- Acumulatorul recomandat este 40-B series. Bateriile sunt criptate prin software.
- Utilizați acumulatorul 40-B series ca sursă de alimentare numai pentru produsele Husqvarna asociate. Pentru a evita rănirea, nu folosiți bateria ca sursă de alimentare pentru alte dispozitive.
- Risc de electrocutare. Nu conectați bornele bateriei la chei, șuruburi sau alte metale. Aceasta poate cauza scurtcircuitarea bateriei.
- Nu utilizați baterii care nu sunt reîncărcabile.
- Nu puneți obiecte în fantele de aerisire a bateriei.
- Feriți bateria de lumina solară, de căldură sau de flăcări deschise. Bateria poate provoca arsuri și/sau arsuri chimice.
- Feriți bateria de ploaie și de condiții de umezeală.
- Feriți bateria de microunde și de înaltă presiune.
- Nu încercați să demontați sau să spargeți bateria.
- Nu lăsați acidul din baterie să vă atingă pielea. Acidul din baterie provoacă leziuni ale pielii,

coroziune și arsuri. Dacă acidul din baterie pătrunde în ochi, nu frecăți, ci spălați-vă cu multă apă timp de cel puțin 15 minute. Dacă acidul din baterie a intrat în contact cu pielea, trebuie să o curățați cu apă și săpun din belșug. Solicitați ajutor medical.

- Utilizați bateria la temperaturi între -10 °C (14 °F) și 40 °C (104 °F).
- Nu curățați niciodată cu apă bateria sau încărcătorul de baterii. Consultați *Curățarea produsului, bateriei și încărcătorului la pagina 297*.
- Nu utilizați o baterie deteriorată.
- Depozitați bateriile la distanță de obiecte de metal, de exemplu cuie, șuruburi sau bijuterii.
- Nu lăsați bateria la îndemâna copiilor.

Siguranța încărcătorului de baterii



AVERTISMENT: Înainte de a utiliza produsul, citiți instrucțiunile de avertizare de mai jos.

- Există riscul de electrocutare sau de scurtcircuit dacă nu sunt respectate instrucțiunile de siguranță.
- Nu utilizați alte încărcătoare de baterii decât cele furnizate pentru produsul dvs. Utilizați doar încărcătoare 40-C80 când încărcați bateriile de schimb din seria 40-B.
- Nu încercați să dezasamblați încărcătorul de baterii.
- Nu utilizați un încărcător deteriorat sau care nu funcționează corect.
- Nu ridicați încărcătorul de baterii ținând de cablul de alimentare. Pentru a deconecta încărcătorul de baterii de la priză de perete, trageți de ștecăr. Nu trageți de cablul de alimentare.
- Feriți toate cablurile și prelungitoarele de apă, ulei și muchii ascuțite. Asigurați-vă că acest cablu nu este prins între obiecte, de exemplu uși, garduri sau în alte locuri similare.
- Nu utilizați încărcătorul de baterii în apropiere de materiale inflamabile sau materiale care pot cauza coroziune. Asigurați-vă că încărcătorul de baterii nu este acoperit. În caz de fum sau de incendiu, scoateți ștecărul încărcătorului de baterii.
- Încărcați bateria numai în interior, într-un loc cu aerisire adecvată și departe de lumina soarelui. Nu încărcați bateria în exterior. Nu încărcați bateria în medii umede.

- Utilizați încărcătorul de baterii la temperaturi între 5 °C (41 °F) și 40 °C (104 °F). Utilizați încărcătorul într-un mediu foarte bine ventilat, uscat și fără praf.
- Nu puneți obiecte în fantele de răcire a încărcătorului de baterii.
- Nu atingeți niciodată bornele încărcătorului de baterii cu obiecte metalice, deoarece se pot crea scurtcircuite.
- Utilizați prize aprobate care nu sunt deteriorate. Asigurați-vă că nu este deteriorat cablul încărcătorului. Dacă sunt utilizate cabluri prelungitoare, asigurați-vă că acestea nu sunt deteriorate.
- Nu încărcați baterii nereîncărcabile în încărcătorul de baterii.

Instrucțiuni de siguranță pentru întreținere



AVERTISMENT: Înainte de a efectua lucrări de întreținere asupra produsului, citiți instrucțiunile de avertizare de mai jos.

- Scoateți bateria înainte de a efectua întreținerea, alte verificări sau de a asambla produsul.
- Operatorul trebuie să efectueze numai operațiile de întreținere și service indicate în acest manual al operatorului. Apelați la reprezentantul de service pentru întreținerea și service-ul de mai mare amploare.
- Nu curățați niciodată bateria sau încărcătorul cu apă. Detergentul puternic poate deteriora plasticul.
- Dacă nu efectuați operații de întreținere, durata de viață a produsului scade, iar pericolul de accidente crește.
- Este necesară instruirea profesională specială pentru toate lucrările de service și reparații, mai ales pentru dispozitivele de siguranță de pe produs. Dacă nu toate verificările din acest manual al operatorului sunt aprobate; după ce ați efectuat operațiile de întreținere, apelați la reprezentantul de service. Vă garantăm că există servicii profesionale de reparații și service disponibile pentru produsul dvs.
- Utilizați doar piese de schimb originale.

Asamblarea

Introducere



AVERTISMENT: Citiți și înțelegeți capitolul referitor la siguranță înainte de asamblarea produsului.

Pentru instalarea duzei

1. Plasați duză peste capătul frontal al produsului. (Fig. 26)
2. Introduceți duza până când auziți un declic.

Instalarea încărcătorului de baterii 40-C80 pe perete

baterii pe perete. Șurubelnița electrică poate cauza deteriorarea încărcătorului de baterii.



ATENȚIE: Nu utilizați o șurubelniță electrică pentru a monta încărcătorul de

1. Montați încărcătorul de baterii pe perete cu cele 2 șuruburi (A). Utilizați fișe de perete (B) dacă este necesar. (Fig. 27)
2. Montați cele 2 șuruburi în dibluri (C).
3. Conectați cablul de alimentare (D) la încărcătorul de baterii și la o priză.

Funcționarea

Introducere

capitolul privind siguranța. Trebuie, de asemenea, să citiți și înțelegeți informațiile din manualul operatorului privind bateria și încărcătorul.



AVERTISMENT: Citiți și înțelegeți capitolul referitor la siguranță înainte de utilizarea produsului.

Păstrați bateria și încărcătorul la temperaturile ambiante corecte.

Verificarea funcționării înainte de utilizarea produsului

1. Verificați intrarea aerului pentru a afla dacă prezintă murdărie și fisuri. Folosiți o perie pentru a îndepărta iarba și frunzele de pe produs. Consultați *Pentru a verifica priza de aer la pagina 297*.
2. Asigurați-vă că produsul funcționează corect.
3. Verificați toate piulițele și șuruburile și asigurați-vă că acestea sunt strânse bine.

	Temperatură ambiantă
Utilizarea produsului	-5 °C – 40 °C / 23 °F - 104 °F
Încărcarea bateriei	5 °C – 40 °C / 41 °F - 104 °F

Baterie

Indicatorul cu LED al bateriei

Afișajul arată starea de încărcare și dacă există probleme cu bateria. (Fig. 28)



AVERTISMENT: Înainte de a utiliza bateria, trebuie să citiți și să înțelegeți

Indicator cu LED	Starea bateriei (starea de încărcare)
	40-B140
4 LED-uri aprinse	Bateria este încărcată în proporție de 76-100%.
3 LED-uri aprinse	Bateria este încărcată în proporție de 51-75%.
2 LED-uri aprinse	Bateria este încărcată în proporție de 26-50%.
1 LED este aprins	Bateria este încărcată în proporție de 6-25%.
1 LED luminează intermitent	Bateria este încărcată în proporție de 0-5%.

Încărcarea bateriei

Încărcați bateria dacă este prima dată când o folosiți. O baterie nouă este încărcată doar până la 30%.

Bateria nu se încarcă dacă temperatura sa depășește 50 °C / 122 °F.



ATENȚIE: Conectați încărcătorul de baterii la o priză de alimentare cu tensiune și frecvența specificate pe plăcuța de identificare.

1. Conectați cablul de alimentare la încărcător.
2. Conectați încărcătorul la o priză cu împământare. Ledul de încărcare luminează o dată. (Fig. 29)
3. Conectați bateria la încărcător. Ledul de încărcare se aprinde. Încărcați bateria timp de maximum 24 de ore. (Fig. 30)

4. Apăsăți butonul indicator al bateriei dacă indicatoarele cu LED se aprind, bateria fiind complet încărcată.
5. Trageți fișa de alimentare pentru a deconecta încărcătorul de baterii de la priză. Nu trageți de cablul de alimentare.
6. Scoateți bateria din încărcător.

Pentru a conecta bateria la produs



AVERTISMENT: Utilizați numai bateria Husqvarna recomandată pentru produs.

1. Asigurați-vă că bateria este încărcată complet.
2. Împingeți bateria în suportul bateriei până când auziți un clic. Bateria trebuie să se miște ușor. În caz contrar, înseamnă că nu este instalată corect. (Fig. 31)

Pornirea produsului

1. Apăsăți și țineți apăsat butonul start până când LED-ul verde se aprinde. (Fig. 32)

2. Utilizați întrerupătorul pentru a opera produsul.

Stabilirea unui debit de aer optim pentru lucru

- Apăsăți butonul de control al vitezei pentru a seta debitul de aer. Există 3 trepte de debit de aer. (Fig. 33)

Oprirea produsului

1. Eliberați întrerupătorul.
2. Apăsăți și țineți apăsat butonul de alimentare până când LED-ul verde se stinge.
3. Apăsăți butonul de eliberare și scoateți bateria. (Fig. 34)

Funcția de oprire automată

Produsul are funcție de oprire automată, care îl oprește dacă nu este utilizat. LED-ul verde indicator de alimentare se stinge, iar produsul se oprește după 3 minute.

Întreținere

Introducere



AVERTISMENT: Înainte de a efectua orice lucrări de întreținere, citiți și înțelegeți capitolul privind siguranța.

Program de întreținere



AVERTISMENT: Scoateți bateria înainte de a efectua operații de întreținere.

În continuare prezentăm o listă de pași de întreținere care trebuie efectuați asupra aparatului.

Întreținere	Zilnic	Săptămănal	Lunar
Curățați produsul cu o lavetă curată și uscată. Nu folosiți apă.	X		
Asigurați-vă că mânerurile sunt uscate și curate.	X		
Verificați tastatura.	X		
Verificați întrerupătorul.	X		
Verificați dacă șuruburile și piulițele sunt strânse bine.	X		
Asigurați-vă că bateria nu este deteriorată.	X		
Verificați încărcarea bateriei.	X		
Asigurați-vă că butoanele de eliberare de pe baterie nu sunt deteriorate și blochează bateria în produs.	X		
Asigurați-vă că încărcătorul de baterii nu este deteriorat.	X		
Asigurați-vă că toate cuplajele, conexiunile și cablurile sunt curate și nedeteriorate.		X	
Verificați conexiunile de pe baterie, de pe încărcătorul bateriei și de pe produs.			X

Pentru a verifica priza de aer

1. Asigurați-vă că nu există niciun blocaj în priza de aer. (Fig. 35)
2. Oprii produsul și îndepărtați materialele nedorite, dacă este necesar.



ATENȚIE: Dacă priza de aer este blocată, capacitatea de suflare a produsului scade și temperatura de funcționare a motorului crește. Acest lucru poate duce la defectarea motorului, deoarece acesta devine prea fierbinte.

Examinarea bateriei și încărcătorului

1. Examinați bateria pentru a identifica defecțiunile, de exemplu fisuri.

2. Examinați încărcătorul de baterii pentru a identifica defecțiunile, de exemplu fisuri.
3. Asigurați-vă că cablul de conectare al încărcătorului de baterii nu este deteriorat și că nu prezintă fisuri.

Curățarea produsului, bateriei și încărcătorului

1. Curățați produsul cu o cârpă uscată după utilizare.
2. Curățați bateria și încărcătorul de baterii cu o cârpă uscată. Mențineți curate șinele de ghidaj al bateriei.
3. Asigurați-vă că bornele bateriei și încărcătorul de baterii sunt curate, înainte ca bateria să fie introdusă în încărcător sau produs.

Depanarea

Tastatură

Ecran cu LED-uri	Erori posibile	Soluții posibile
Ledul de eroare al bateriei luminează intermitent	Deviație de temperatură.	Lăsați produsul să se răcească.
	Murdărie în conectorii bateriei sau ventilatorul este blocat.	Curățați cu aer comprimat sau cu o perie moale.
	Bateria este descărcată.	Încărcați bateria.
	Bateria este deteriorată.	Discutați cu agentul dvs. de service.

Baterie

Ecran cu LED-uri	Erori posibile	Soluții posibile
Lumina LED verde se aprinde intermitent.	Tensiune joasă a bateriei.	Încărcați bateria.
Lumina LED de eroare se aprinde intermitent.	Deviație de temperatură.	Utilizați bateria la temperaturi între -5 °C – 40 °C / 23 °F - 104 °F.
	Tensiunea este prea înaltă.	Asigurați-vă că tensiunea rețelei de alimentare corespunde celei indicate pe plăcuța de identificare a produsului. Scoateți bateria din încărcător.
Lumina LED de eroare este aprinsă.	Diferența este prea mare între baterii (1 V).	Adresați-vă reprezentantului de service.

Încărcător de baterii

Ecran cu LED-uri	Erori posibile	Soluții posibile
Indicatorul LED de încărcare luminează continuu în roșu.	Încărcătorul de baterii este deteriorat.	Adresați-vă reprezentantului de service.
Indicatorul LED de încărcare luminează intermitent verde.	Temperatura bateriei nu este în intervalul pentru încărcare.	Lăsați bateria să se răcească sau încălziți-o. Când bateria are temperatura corectă, aceasta poate fi utilizată sau încărcată din nou. Utilizați încărcătorul bateriei la temperaturi ambiante între 5 °C – 40 °C / 41 °F - 104 °F.
Indicatorul LED de încărcare luminează intermitent roșu.	Bateria este deteriorată.	Adresați-vă reprezentantului de service.

Transportul, depozitarea și eliminarea

Transportul și depozitarea

- Bateriile cu ioni de litiu furnizate respectă cerințele legislației privind bunurile periculoase.
- Respectați cerințele speciale de pe ambalaj și etichete privind transportul comercial, inclusiv cele emise de către terțe părți și companiile de expediție.
- Discutați cu o persoană care a beneficiat de instruire specială privind materialele periculoase înainte de a trimite produsul. Respectați toate reglementările naționale aplicabile.
- Aplicați bandă adezivă pe contactele expuse atunci când introduceți bateria într-un pachet. Bateria trebuie ambalată astfel încât să nu se poată deplasa în interiorul pachetului.
- La depozitare și la transport, scoateți întotdeauna bateria.
- Puneți bateria și încărcătorul de baterii într-un spațiu uscat și ferit de umezeală și îngheț.
- Nu păstrați bateria într-un loc în care poate apărea electricitate statică. Nu depozitați bateria într-o cutie metalică.
- Depozitați bateria la temperaturi între 5°C / 41°F and 25°C / 77°F, într-un loc ferit de radiațiile solare directe.
- Depozitați încărcătorul de baterii la temperaturi între 5°C/41°F and 45°C/113°F, într-un loc ferit de lumină solară directă.
- Utilizați încărcătorul de acumulatori numai când temperatura ambiantă este între 5°C – 40°C / 41°F – 104°F.

- Încărcați bateria în proporție de 30-50% înainte de a o depozita pe o perioadă lungă.
- Depozitați produsul la temperaturi cuprinse între 40°C/-40°F și +60°C/140°F.
- Depozitați încărcătorul de baterii într-un spațiu închis și uscat.
- Nu depozitați bateria lângă încărcătorul bateriei. Nu lăsați copii și alte persoane neautorizate să atingă echipamentul. Păstrați echipamentul într-un spațiu pe care îl puteți încuia.
- Curățați produsul și efectuați un service complet înainte de a depozita produsul pentru o perioadă lungă de timp.
- Fixați foarte bine produsul în timpul transportului.

Eliminarea bateriei, încărcătorului acesteia și a produsului

Simbolurile de pe produs sau de pe ambalajul acestuia înseamnă că produsul nu este deșeu menajer. Reciclați-l la un centru de reciclare pentru echipamente electrice și electronice. Această măsură ajută la protejarea mediului și a oamenilor.

Luați legătura cu autoritățile locale, centrul de colectare a reziduurilor menajere sau distribuitorul pentru mai multe informații despre modul de reciclare a produsului dvs.

Date tehnice

Date tehnice

	122iB
Motor	
Tip de motor	PMDC
Greutate	
Greutate fără baterie, kg	1,9
Emisii de zgomot, niveluri de zgomot, ^{61 62}	
Nivel de putere acustică, măsurat dB(A)	92,2

⁶¹ Emisiile de zgomot din mediul înconjurător măsurate ca putere acustică (L_{WA}) în conformitate cu directiva CE 2000/14/EC au o dispersie statistică tipică (abatere standard) de 1,0 dB (A).

⁶² Datele raportate pentru nivelul echivalent de presiune a sunetului pentru dispozitiv includ o dispersie statistică tipică (deviere standard) de 1,3 dB (A).

	122iB
Nivel de putere acustică garantat L_{WA} dB(A)	93
Nivel echivalent presiune acustică la urechea operatorului, măsurat conform EN IEC 62841-4-6 și ISO 22868, dB (A):	82,8
Niveluri de vibrații ⁶³	
Niveluri de vibrații în mâner, măsurate în conformitate cu EN IEC 62841-4-6, m/s^2	1,13
Performanța ventilatorului	
Debit volumetric maxim, m^3/h	865
Viteza teoretică maximă, m/s.	53
Forță de suflare, N	11

Datele privind zgomotul și vibrațiile sunt determinate pe baza turajei maxime nominale.

Nota: Valoarea totală a vibrației declarate a fost măsurată în concordanță cu o metodă standard de testare și poate fi utilizată pentru compararea unei unelte cu alta.

Nota: Valoarea totală declarată a vibrației poate fi utilizată, de asemenea, într-o evaluare preliminară a gradului de expunere.

Nota: Emisiile de vibrații și emisiile de zgomot în timpul utilizării efective a produsului pot diferi de valoarea totală declarată, în funcție de modul de utilizare a produsului. Este necesar să se identifice măsurile de siguranță pentru a proteja operatorul, pe baza unei estimări a expunerii în condițiile reale de utilizare. Includeți toate părțile ciclului de operare în estimare, cum ar fi momentele în care produsul este oprit și când funcționează la ralanti, în plus față de timpul de declanșare.

Baterii aprobate pentru produs

Baterie	40-B140
Tip	Litiu-ion
Capacitate baterie, Ah	Consultați autocolantul de identificare a bateriei
Tensiune nominală, V	36
Greutate, kg/lb	1,25/2,76

Încărcătoare de baterii omologate

Încărcător de baterii	40-C80
Tensiune de intrare, V	100-240
Frecvență, Hz	50-60
Putere, W	72
Tensiune de ieșire, V c.c./amperi, A	43/1,6

⁶³ Datele raportate pentru nivelul de vibrații prezintă o dispersie statistică tipică (abatere standard) de 1,5 m/s^2 .

Declarație de conformitate

Declarație de conformitate UE

Noi, **Husqvarna AB**, SE-561 82 Huskvarna, SUECIA,
tel.: +46-36-146500, declarăm pe propria răspundere, că
produsul:

Descriere	Sufiantă portabilă cu baterii
Marcă	Husqvarna
Tip/Model	122iB
Identificare	Numerele de serie începând cu 2025

este în conformitate cu următoarele directive și
regulamente UE, cum modificările corespunzătoare:

Reglementare	Descriere
2006/42/CE	„privind echipamentele tehnice”
2014/30/UE	„privind compatibilitatea electromagnetică”
2011/65/UE	„privind restricțiile de utilizare a anumitor substanțe periculoase în echipamentele electrice și electronice”
2000/14/CE	„privind emisiile de zgomot în mediul înconjurător”

și că au fost aplicate următoarele standarde și/sau
specificații tehnice: EN 62841-1:2015/A11:2022, EN IEC
62841-4-6:2024/A11:2024, EN IEC 63000:2018

EN IEC 55014-1:2021, EN IEC 55014-2:2021

În conformitate cu directiva 2000/14/CE, Anexa V,
consultați *Date tehnice la pagina 299* pentru valorile
declaratate pentru sunet.

Huskvarna, 2025-11-03

Claes Losdal, Manager Cercetare și dezvoltare,
Husqvarna AB

Responsabil pentru documentația tehnică



Содержание

Введение.....	302	Поиск и устранение неисправностей.....	313
Безопасность.....	303	Транспортировка, хранение и утилизация.....	314
Сборка.....	310	Технические данные.....	315
Эксплуатация.....	310	Декларация о соответствии.....	317
Техническое обслуживание.....	312		

Введение

Обзор изделия

(Рис. 1)

1. Насадка воздуходува
2. Кнопка разблокировки насадки воздуходува
3. Панель управления
4. Курок
5. Рукоятка
6. Кнопка включения/выключения питания
7. Индикатор питания
8. Предупреждающий индикатор (светодиодный индикатор ошибки)
9. Кнопка выбора скорости
10. Опоры
11. Кнопка индикации аккумулятора
12. Состояние аккумулятора
13. Предупреждающий индикатор аккумулятора
14. Кнопка извлечения аккумулятора
15. Аккумулятор
16. Индикатор включения питания / предупреждающий индикатор
17. Разъем
18. Зарядное устройство 40-C80
19. Руководство по эксплуатации

(Рис. 5) ПРЕДУПРЕЖДЕНИЕ: не допускайте приближения посторонних лиц.

(Рис. 6) Запрещается эксплуатировать или оставлять изделие под дождем.

(Рис. 7) Табличка с уровнем эмиссии шума в окружающую среду в соответствии с директивами и нормативами Европейского союза и законодательным актом Нового Южного Уэльса "Регламент 2017 года по защите окружающей среды (контроль уровня шума)". Гарантированный уровень звуковой мощности изделия указан в разделе *Технические данные на стр. 315* и на наклейке.

(Рис. 8) Запрещается утилизировать данное изделие и его упаковку в качестве бытовых отходов. Изделие необходимо передать в пункт переработки электрического и электронного оборудования.

Описание изделия

Husqvarna 122iB представляет собой модель воздуходува с электродвигателем.

Использование по назначению

Изделие представляет собой надежный и простой в использовании воздуходув и подходит для любых работ по продувке и уборке в домах и садах.

Символы на изделии

(Рис. 2) ПРЕДУПРЕЖДЕНИЕ. Изделие может представлять опасность и стать причиной тяжелой травмы или смерти оператора или окружающих. Соблюдайте осторожность и правила эксплуатации изделия.

(Рис. 3) Перед началом работы с изделием внимательно прочитайте руководство по эксплуатации и убедитесь, что понимаете приведенные здесь инструкции.

(Рис. 4) Используйте одобренные средства защиты глаз.

(Рис. 9) Изделие соответствует действующим директивам ЕС.

(Рис. 10) Номинальное напряжение, В

(Рис. 11) Постоянный ток.

уууу wwxxxxx | На паспортной табличке указан серийный номер. уууу означает год производства, ww — производственную неделю, xxxx — порядковый номер.

Примечание: Другие символы/наклейки на изделии нанесены согласно специальным требованиям к сертификации, которые действуют в определенных странах.

Условные обозначения на аккумуляторе и/или зарядном устройстве аккумулятора

(Рис. 12) Надежный трансформатор.

(Рис. 13) Зарядное устройство должно использоваться и храниться только внутри помещений.

(Рис. 14) Двойная изоляция.

После завершения срока службы изделие необходимо передать в пункт переработки электрического и электронного оборудования.
(Только для Европы)

(Рис. 15)

- ненадлежащий ремонт изделия;
- использование для ремонта изделия неоригинальных деталей или деталей, не одобренных производителем;
- использование неоригинальных дополнительных принадлежностей или принадлежностей, не одобренных производителем;
- ремонт изделия в неавторизованном сервисном центре или неквалифицированным специалистом.

Производитель

Husqvarna AB

Drottninggatan 2, SE-561 82 Huskvarna

Повреждение изделия

Мы не несем ответственности за повреждение изделия в следующих случаях:

Безопасность

Инструкции по технике безопасности

Предупреждения, предостережения и примечания используются для выделения особо важных пунктов руководства.



ПРЕДУПРЕЖДЕНИЕ:

Используется, когда несоблюдение инструкций руководства может привести к травмам или смерти оператора или находящихся рядом посторонних лиц.



ВНИМАНИЕ: Используется, когда несоблюдение инструкций руководства может привести к повреждению изделия, других материалов или прилегающей территории.

Примечание: Используется для предоставления дополнительных сведений о конкретной ситуации.

Общие указания техники безопасности при работе с изделием



ПРЕДУПРЕЖДЕНИЕ:

Ознакомьтесь со всеми предупреждениями, инструкциями, иллюстрациями и положениями, касающимися техники безопасности и прилагаемыми к данному изделию. Несоблюдение всех указанных ниже инструкций может привести к поражению

электрическим током, пожару и/или тяжелым травмам.

Сохраните все предупреждающие указания и инструкции для последующего обращения.

Примечание: Под словом "изделие" в данном документе понимается электрическое (проводное) либо аккумуляторное (беспроводное) оборудование.

Техника безопасности на рабочем месте

- Рабочее место должно содержаться в чистоте и быть хорошо освещено. Загромождения или ненадлежащее освещение могут стать причиной несчастных случаев.
- Запрещается использовать изделие во взрывоопасной атмосфере, например в присутствии легковоспламеняющихся жидкостей, газов или пыли. Изделия образуют искры, которые могут вызвать возгорание пыли или паров.
- Не позволяйте детям и посторонним лицам приближаться к вам во время использования изделия. Это может отвлечь ваше внимание и привести к потере управления.

Электрическая безопасность

- Вилка изделия должна соответствовать электрической розетке. Запрещается вносить изменения в конструкцию вилки. Запрещается использовать переходники с заземленными изделиями. Отсутствие изменений в конструкции вилок и их соответствие розеткам снижает риск поражения электрическим током.

- **Избегайте контакта любых частей тела с заземленными поверхностями, такими как трубы, радиаторы, плиты и холодильники.** Заземление тела увеличивает риск поражения электрическим током.
- **Не подвергайте изделия воздействию воды или высокой влажности.** Попадание воды в изделие повышает риск поражения электрическим током.
- **Используйте шнур только по прямому назначению. Никогда не носите и не дергайте за него при извлечении вилки из розетки. Держите шнур вдали от источников тепла, масла, острых углов или движущихся деталей.** Эксплуатация поврежденного или спутанного шнура увеличивает риск поражения электрическим током
- **При работе с изделием вне помещения используйте специальный удлинительный шнур для уличного применения.** Использование шнура, предназначенного для уличного применения, снижает риск поражения электрическим током.
- **Если работа с изделием во влажной среде неизбежна, используйте источник питания, оснащенный устройством защитного отключения (УЗО).** Использование УЗО снижает риск поражения электрическим током.

Личная безопасность

- **При работе с изделием будьте бдительны, следите за своими действиями и руководствуйтесь здравым смыслом. Не используйте изделие, если вы устали или находитесь под воздействием наркотических средств, алкоголя или лекарств.** Малейшая невнимательность при работе с изделиями может обернуться серьезными травмами.
- **Пользуйтесь средствами индивидуальной защиты. Всегда носите защитные очки.** Средства индивидуальной защиты, такие как респиратор, нескользящая защитная обувь, каска или средства защиты органов слуха, существенно снижают риск получения травм.
- **Примите меры по предотвращению случайного запуска. Перед подключением изделия к источнику питания и/или аккумуляторному блоку, его подъемом или переноской убедитесь, что переключатель находится в положении выключения.** Не переносите изделия, держа палец на переключателе, а также не подавайте питание на изделия с включенным переключателем, т. к. это может привести к несчастному случаю.
- **Перед включением изделия уберите все регулировочные и гаечные ключи.** Ключ, оставленный на вращающейся части изделия, может стать причиной травмы.
- **Не тянитесь слишком далеко. Сохраняйте равновесие и устойчивое положение ног.** Благодаря этому вы сможете лучше

контролировать изделие в непредвиденных ситуациях.

- **Надевайте соответствующую одежду. Не надевайте свободную одежду и украшения. Не допускайте попадания волос и одежды в движущиеся части изделия.** Свободная одежда, украшения и длинные волосы могут попасть в движущиеся части.
- **Если инструмент может дополнительно оснащаться устройствами для сбора и удаления пыли, убедитесь, что они подключаются и используются надлежащим образом.** Такие устройства способствуют снижению опасностей, связанных с наличием пыли.
- **Не допускайте, чтобы чувство уверенности, приобретенное вследствие частой работы с изделиями, позволило вам забыть об опасностях и игнорировать принципы обеспечения безопасности.** Неосторожные действия могут привести к тяжелой травме за долю секунды.

Эксплуатация и обслуживание изделия

- **Не перегружайте изделие. Убедитесь, что изделие подходит для выполнения конкретной задачи.** Правильно выбранное изделие лучше и надежнее справится с задачей, соответствующей его конструктивным характеристикам.
- **Не пользуйтесь изделием, если его переключатель не работает.** Если управление изделием с помощью переключателя невозможно, такое изделие представляет опасность и подлежит обязательному ремонту.
- **Прежде чем производить регулировку на изделии, заменяя принадлежностей или убирать его на хранение, отключите изделие от источника питания и/или снимите аккумуляторный блок (если снимается).** Эти меры предосторожности позволяют исключить риск случайного запуска изделия.
- **Храните неиспользуемые изделия в недоступном для детей месте и не позволяйте работать с изделиями лицам, не ознакомленным с ними и с данными инструкциями по эксплуатации.** В руках неопытных пользователей изделия являются источником опасности.
- **Выполняйте обслуживание изделий и принадлежностей. Проверьте точность регулировки и отсутствие заедания движущихся частей, отсутствие поломанных деталей и иных неисправностей, которые могут нарушить работу изделия. При наличии повреждений выполните необходимый ремонт, прежде чем использовать изделие.** Причиной многих несчастных случаев является ненадлежащее техническое обслуживание изделий.
- **Поддерживайте остроту и чистоту режущего оборудования.** Исправное режущее оборудование с острыми режущими кромками меньше подвержено поломкам и проще в управлении.

- **Используйте изделие, принадлежности, наконечники и т. д. в соответствии с данными инструкциями, принимая во внимание условия работы и специфику выполняемой задачи.** Использование изделия не по назначению может привести к опасным ситуациям.
- **Рукоятки и поверхности захвата должны быть сухими и чистыми, без следов масла и смазки.** Скользкие рукоятки и поверхности захвата не обеспечивают надежного управления и контроля за изделием в непредвиденных ситуациях.

Эксплуатация и обслуживание аккумулятора изделия

- **Выполняйте зарядку только с помощью зарядного устройства, указанного производителем.** Зарядное устройство, подходящее для одного типа аккумуляторного блока, может создать опасность возгорания при использовании с аккумуляторным блоком другого типа.
- **Используйте изделие только с совместимыми аккумуляторными блоками.** Использование других аккумуляторных блоков может создать опасность травмы или возгорания.
- **Когда аккумуляторный блок не используется, храните его вдали от металлических предметов, таких как скрепки, монеты, ключи, гвозди, винты или иные мелкие предметы, которые могут замкнуть клеммы аккумулятора.** Замыкание клемм аккумулятора может привести к ожогам или пожару.
- **При неправильном обращении из аккумулятора может вытечь жидкость; избегайте контакта с вытекшей жидкостью.** При случайном контакте промойте место соприкосновения водой. При попадании жидкости в глаза обратитесь за медицинской помощью. Вытекшая из аккумулятора жидкость может привести к раздражению или ожогу.
- **Запрещается использовать аккумуляторный блок или изделие, если они повреждены или модифицированы.** Поврежденные или подвергнутые модификации аккумуляторы могут работать неправильно, что приведет к возникновению пожара, взрыва или риску получения травм.
- **Не подвергайте аккумуляторный блок или изделие воздействию огня или чрезмерно высоких температур.** Воздействие огня или температуры выше 130 °C (265 °F) может привести к взрыву.
- **Точно следуйте всем инструкциям по зарядке и ни в коем случае не заряжайте аккумуляторный блок или изделие при температуре, выходящей за пределы указанного в инструкциях диапазона.** Ненадлежащая зарядка или зарядка при температуре выше или ниже указанного диапазона может привести к повреждению аккумулятора и повышенному риску пожара.

Сервисное обслуживание

- **Обслуживание изделие должны выполнять квалифицированные специалисты по ремонту оборудования с использованием только идентичных запчастей.** Благодаря этому безопасность изделия сохраняется на надлежащем уровне.
- **Никогда не выполняйте обслуживание поврежденных аккумуляторных блоков.** Обслуживание аккумуляторных блоков должно выполняться только производителем или специалистами авторизованных сервисных центров.

Меры предосторожности при работе с садовым воздуходувом

- **Не используйте садовый воздуходув при плохих погодных условиях, особенно если существует риск удара молнии.** Это позволяет уменьшить риск поражения молнией.
- **Используйте средства защиты глаз.** Использование надлежащих средств защиты снизит риск получения травм.
- **При работе с садовым воздуходувом всегда надевайте защитную обувь с нескользящей подошвой. Запрещается работать с садовым воздуходувом босиком или в открытой обуви.** Это снижает риск получения травм ног.
- **Не надевайте свободную одежду и не носите шарфы, цепи, галстуки, шнуры и т. д., которые могут попасть в воздухозаборники. Завяжите длинные волосы или уберите их под головной убор, чтобы их не затянуло в воздухозаборники.** Если какие-либо предметы или волосы будут затянуты в воздухозаборники, это увеличит риск получения травм.
- **Не допускайте приближения посторонних лиц к вам во время работы садового воздуходува.** Отбрасываемый мусор может повысить риск получения травм.
- **Никогда не направляйте насадку воздуходува на людей или домашних животных и на окна. Соблюдайте особую осторожность при сдувании мусора вблизи твердых предметов, таких как деревья, автомобили и стены, от которых мусор может от ricoшетить.** Отбрасываемые предметы могут повредить имущество и повысить риск получения травм.
- **Запрещается сдувать садовым воздуходувом дымящиеся или горячие предметы, например сигареты, спички и горячий пепел.** Эти источники возгорания могут повысить риск возникновения пожара.
- **Не прикасайтесь к вращающемуся вентилятору. Выключите садовый воздуходув и дождитесь, пока вентилятор остановится, прежде чем снимать детали, которые обеспечивают доступ к вентилятору.** Это снижает риск получения травм от движущихся частей.

- **Перед удалением застрявшего материала или обслуживанием садового воздуходува убедитесь, что питание выключено.** Непредвиденное включение садового воздуходува при удалении застрявшего материала или техобслуживании может привести к тяжелой травме.

Общие инструкции по технике безопасности



ПРЕДУПРЕЖДЕНИЕ: В обязательном порядке прочитайте следующие инструкции по технике безопасности, прежде чем приступить к эксплуатации изделия.

- При небрежном или неправильном обращении изделие может представлять собой опасность. Несоблюдение инструкций по технике безопасности может привести к травмам или смерти.
- Во время работы данное изделие создает электромагнитное поле. В определенных обстоятельствах это поле может создавать помехи для пассивных и активных медицинских имплантатов. В целях снижения риска серьезной или смертельной травмы лицам с медицинскими имплантатами рекомендуется проконсультироваться с врачом и изготовителем имплантата, прежде чем приступить к эксплуатации данного изделия.
- Всегда соблюдайте осторожность и руководствуйтесь здравым смыслом. Если вы не уверены, как правильно эксплуатировать изделие в определенной ситуации, прекратите работу и проконсультируйтесь с дилером Husqvarna, прежде чем продолжать.
- Помните: ответственность за несчастные случаи, угрожающие другим людям или их имуществу, несет оператор изделия.
- Содержите изделие в чистоте. Следите за тем, чтобы знаки и наклейки были легко читаемыми.
- Ни в коем случае не позволяйте использовать оборудование детям или лицам, не ознакомившимся с данными инструкциями. Допустимый возраст пользователя может быть ограничен местным законодательством.
- Не оставляйте без присмотра людей с физическими или умственными нарушениями, использующих изделие. Они должны постоянно находиться под присмотром взрослого.
- Ни в коем случае не используйте изделие, если вы устали, больны или находитесь под воздействием алкоголя, наркотических веществ или лекарственных препаратов. Это может повлиять на ваше зрение, реакцию, координацию или оценку действительности.
- Не используйте изделие, если оно повреждено или работает неправильно.

- Запрещается вносить изменения в изделие или использовать его, если вы подозреваете, что конструкция была модифицирована.

Техника безопасности во время работы



ПРЕДУПРЕЖДЕНИЕ: В обязательном порядке прочитайте следующие инструкции по технике безопасности, прежде чем приступить к эксплуатации изделия.

- Пользуйтесь средствами индивидуальной защиты. См. раздел *Средства индивидуальной защиты на стр. 307.*
- Убедитесь, что вы знаете, как быстро остановить двигатель в аварийной ситуации.
- Запрещается эксплуатировать изделие под дождем или в условиях высокой влажности. При попадании воды внутрь изделия повышается риск поражения электрическим током.
- При работе с изделием всегда стойте сзади.
- Запрещается поднимать изделие во время работы двигателя. Если необходимо поднять изделие, выключите двигатель и извлеките аккумулятор.
- При работе с изделием запрещается двигаться назад.
- Остановите двигатель, если необходимо наклонить изделие для транспортировки или перед перемещением по участкам без травы, например по дорожкам из гравия, камня или асфальта.
- Запрещается бегать с изделием во время работы двигателя. Работайте с изделием в спокойном темпе.
- Вибрации изделия во время работы могут отличаться от заявленного значения, приведенного в разделе *Технические данные на стр. 315.* Эта разница объясняется зависимостью уровня вибрации от условий эксплуатации изделия. При частом или продолжительном использовании изделия регулярно делайте перерывы во избежание травм от вибрации.

Инструкции по технике безопасности во время эксплуатации



ПРЕДУПРЕЖДЕНИЕ: В обязательном порядке прочитайте следующие инструкции по технике безопасности, прежде чем приступить к эксплуатации изделия.

- В случае возникновения ситуации, в которой вы почувствуете неуверенность относительно дальнейшей работы с изделием, обратитесь за консультацией к специалисту. Свяжитесь с

- дилером или сервисным центром. Не пытайтесь решить какую-либо задачу, если считаете, что она находится за пределами ваших возможностей.
- Убедитесь, что вы можете двигаться и стоять безопасно. Проверьте, нет ли вокруг вас возможных помех и препятствий (корней, камней, веток, ям и т.д.), на случай, если вам вдруг будет нужно быстро переместиться. Будьте особенно внимательны при работе на склонах.
 - Всегда сохраняйте равновесие и устойчивое положение ног. Не тянитесь слишком далеко.
 - Когда на вас надеты защитные наушники, прислушивайтесь к сигналам тревоги или крикам. Всегда снимайте наушники сразу после окончания изделия.
 - Запрещается использовать изделие рядом с открытыми окнами.
 - Используйте изделие только в надлежащее время — не работайте рано утром и поздно вечером, чтобы не мешать другим людям. Соблюдайте местное законодательство и нормативы.
 - Используйте как можно меньший воздушный поток. Максимальный воздушный поток требуется редко, и многие работы могут выполняться при среднем уровне потока. Чем меньше воздушный поток, тем ниже уровни шума и пыли и тем проще контролировать сбор/перемещение мусора.
 - При работе в пыльных условиях слегка смочите обрабатываемую поверхность.
 - Чтобы удалить прилипший мусор с поверхности, используйте грабли или швабру.
 - Держите отверстие воздуходува как можно ближе к земле.
 - Следите за обстановкой вокруг. Не направляйте изделие на людей, животных, игровые площадки, автомобили и т. д.
 - Уменьшите продолжительность обдува за счет легкого увлажнения запыленных областей или использования распылителей.
 - Учитывайте направление ветра. Работайте по направлению ветра, чтобы было проще.
 - В случае нехарактерной вибрации изделия остановите его и извлеките аккумулятор.
 - Использование воздуходува для перемещения больших скоплений листьев требует много времени и создает нежелательный шум.
 - Выполните уборку после работы. Следите за тем, чтобы в ходе работы мусор/листья не попали на чужой участок.
 - Запрещается бегать с изделием.
 - Мощные потоки воздуха могут перемещать предметы с такой скоростью, при которой предметы могут отскочить обратно и нанести серьезную травму глаз.

(Рис. 16)

- Не направляйте поток воздуха на людей или животных.
- Останавливайте двигатель перед установкой или снятием принадлежностей или других компонентов.
- Держите все части тела на безопасном расстоянии от нагретых поверхностей изделия.
- Запрещается опускать изделие на землю во включенном состоянии, за исключением случаев, когда его хорошо видно.
- Запрещается работать с воздуходувом при нахождении на лестнице или платформе.

(Рис. 17)

- Запрещается использовать изделие в условиях, когда вы не сможете позвать на помощь при несчастном случае.
- Остерегайтесь отбрасываемых предметов. Камни, мусор и пр. могут попасть в глаза и привести к слепоте или к серьезным травмам.
- Во время зарядки изделия используйте устройство защитного отключения (УЗО) для повышения безопасности. Устройство защитного отключения устанавливается для защиты оператора в случае возникновения электрической неисправности.
- Данное изделие отличается низким уровнем вибрационной нагрузки. Длительное воздействие вибрации может привести к нарушению кровообращения или расстройством нервной системы у людей с нарушенным кровообращением. В случае появления симптомов чрезмерного воздействия вибрации следует обратиться к врачу. К таким симптомам относятся онемение, потеря чувствительности, ощущение щекотки и покалывания, боли, потеря силы или слабость, изменение цвета или состояния кожи. Как правило, подобные симптомы проявляются в пальцах, кистях или запястьях.
- Используйте изделие строго по назначению.
- Невозможно предвидеть все ситуации, с которыми вы можете столкнуться. Всегда соблюдайте осторожность и руководствуйтесь здравым смыслом. Не выполняйте работу, если вам кажется, что уровень вашей квалификации недостаточен. Если после изучения руководства у вас остались вопросы касательно эксплуатации изделия, прежде чем приступить к работе обратитесь за консультацией к специалисту.
- Всегда держите изделие обеими руками. Держите изделие сбоку от себя.

(Рис. 18)

Средства индивидуальной защиты



ПРЕДУПРЕЖДЕНИЕ: В обязательном порядке прочитайте следующие инструкции по технике

безопасности, прежде чем приступить к эксплуатации изделия.

- При работе с изделием всегда используйте одобренные средства индивидуальной защиты. Средства индивидуальной защиты не могут полностью исключить риск получения травмы, но при несчастном случае они снижают тяжесть травмы. За помощью по правильному выбору СИЗ обращайтесь к дилеру.
- Используйте одобренные средства защиты органов слуха.

(Рис. 19)

- Используйте одобренные средства защиты глаз. При использовании защитного щитка следует также пользоваться одобренными защитными очками. Под одобренными защитными очками подразумеваются очки, отвечающие требованиям стандарта ANSI Z87.1 для США или EN 166 для стран ЕС.

(Рис. 20)

- При необходимости наденьте перчатки.

(Рис. 21)

- Надевайте защитные ботинки со стальным носком и нескользкой подошвой.

(Рис. 22)

- Надевайте одежду из прочного материала. Всегда надевайте длинные прочные брюки и верхнюю одежду с длинными рукавами. Не надевайте свободную одежду, которая может зацепиться за ветви или кустарник. Не надевайте ювелирные украшения, короткие брюки или сандалии. Не ходите босиком. Соберите волосы выше уровня плеч.
- Средства оказания первой помощи всегда должны быть под рукой.

(Рис. 23)

Защитные устройства на изделии



ПРЕДУПРЕЖДЕНИЕ: В обязательном порядке прочитайте следующие инструкции по технике безопасности, прежде чем приступить к эксплуатации изделия.

- В данном разделе рассматриваются защитные приспособления изделия и их назначение, а также приводятся проверки и процедуры технического обслуживания, которые необходимо проводить для обеспечения правильной работы изделия. См. указания в разделе *Обзор изделия на стр. 302*, где указано расположение этих деталей на изделии.
- Срок службы изделия может быть сокращен, а риск несчастных случаев увеличен, если техническое обслуживание изделия не проводится надлежащим образом, а сервис

и/или ремонт выполняются непрофессионалами. Дополнительную информацию можно получить в ближайшем сервисном центре.

- Ни в коем случае не пользуйтесь изделием с поврежденными защитными приспособлениями. Техобслуживание и проверка защитных приспособлений должны выполняться в соответствии с инструкциями в данном разделе. Если в рамках этих проверок обнаружены неисправности изделия, обратитесь в сервисный центр для проведения ремонта.
- Для обслуживания и ремонта изделия требуется специальная подготовка. Это особенно важно для защитных устройств изделия. При обнаружении одной или нескольких неисправностей (см. перечень проверок ниже) в обязательном порядке обратитесь в сервисный центр. При приобретении любой нашей продукции вы получаете доступ к профессиональной помощи по ремонту и обслуживанию. Если изделие было приобретено у дилера, не имеющего сервисного центра, узнайте у дилера адрес ближайшего сервисного центра.

Проверка кнопочной панели

1. Нажмите и удерживайте нажатой кнопку включения/выключения (A), пока не загорится индикатор питания (B). (Рис. 24)
2. Если загорается или мигает предупреждающий индикатор (C), см. раздел *Поиск и устранение неисправностей на стр. 313*.

Проверка курка

- Нажмите и отпустите курок, чтобы убедиться, что он свободно перемещается. (Рис. 25)

Техника безопасности при работе с аккумулятором



ПРЕДУПРЕЖДЕНИЕ: В обязательном порядке прочитайте следующие инструкции по технике безопасности, прежде чем приступить к эксплуатации изделия.

- Рекомендуемый аккумулятор — 40-B series. Для аккумуляторов используется программное обеспечение с криптографической защитой.
- Используйте перезаряжаемый аккумулятор 40-B series только с теми изделиями Husqvarna, для которых он предназначен. Во избежание травм запрещается использовать аккумулятор в качестве источника питания для других устройств.
- Риск поражения электрическим током. Не допускайте контакта клемм аккумулятора с ключами, винтами или другими металлическими предметами. Это может привести к короткому замыканию аккумулятора.

- Не используйте одноразовые (неперезаряжаемые) аккумуляторы.
- Не размещайте посторонние предметы на воздухозаборниках аккумулятора.
- Аккумулятор не должен подвергаться воздействию солнечного света, тепла или открытого пламени. Аккумулятор может стать причиной ожогов, в том числе химических.
- Защищайте аккумулятор от дождя и сырости.
- Не подвергайте аккумулятор воздействию микроволн и высокого давления.
- Не пытайтесь разбирать или ломать аккумулятор.
- Не допускайте попадания электролита из аккумулятора на кожу. Электролит (кислота) аккумулятора может стать причиной травм, повреждений и ожогов кожи. При попадании электролита в глаза ни в коем случае не трите их. Промывайте глаза обильным количеством воды на протяжении как минимум 15 минут. В случае попадания электролита на кожу промойте ее большим количеством воды с мылом. Обратитесь за медицинской помощью.
- Используйте аккумулятор при температуре в диапазоне от -10 до 40 °C (от 14 до 104 °F).
- Очистка аккумулятора или зарядного устройства водой запрещена. См. *Очистка изделия, аккумулятора и зарядного устройства на стр. 312.*
- Запрещается использовать поврежденный аккумулятор.
- Храните аккумуляторы вдали от металлических предметов, таких как гвозди, винты или ювелирные изделия.
- Храните аккумулятор в недоступном для детей месте.
- Кабели и кабели-удлинители не должны контактировать с водой, маслом и с острыми краями. Убедитесь, что кабель не застрял в препятствии, например, в двери, заборе и т.д.
- Запрещается использовать зарядное устройство вблизи легковоспламеняющихся материалов и материалов, которые вызывают коррозию. Убедитесь, что зарядное устройство ничем не накрыто. В случае появления дыма или огня извлеките вилку зарядного устройства из розетки.
- Заряжайте аккумулятор только в хорошо проветриваемом помещении вдали от солнечных лучей. Запрещается заряжать аккумулятор вне помещения. Запрещается заряжать аккумулятор в условиях высокой влажности.
- Используйте зарядное устройство только при температуре в диапазоне от 5 до 40 °C (от 41 до 104 °F). Используйте зарядное устройство в хорошо проветриваемых сухих помещениях, защищенных от пыли.
- Не вставляйте посторонние предметы в воздухозаборники зарядного устройства, предназначенные для его охлаждения.
- Не подсоединяйте металлические предметы к клеммам зарядного устройства, т.к. это может привести к короткому замыканию зарядного устройства.
- Используйте одобренные сетевые розетки, которые находятся в исправном состоянии. Убедитесь, что шнур питания зарядного устройства не поврежден. В случае использования удлинительных кабелей следите за их целостностью.
- Не пытайтесь заряжать одноразовые аккумуляторы в зарядных устройствах.

Техника безопасности при работе с зарядным устройством для аккумулятора



ПРЕДУПРЕЖДЕНИЕ: В обязательном порядке прочитайте следующие инструкции по технике безопасности, прежде чем приступать к эксплуатации изделия.

- Риск поражения электрическим током или короткого замыкания в случае несоблюдения инструкций по технике безопасности.
- Используйте только то зарядное устройство, которое входит в комплект поставки изделия. Используйте зарядные устройства 40-C80 только для зарядки сменных аккумуляторов 40-B.
- Не пытайтесь разбирать зарядное устройство.
- Не используйте зарядное устройство, если оно повреждено или работает неправильно.
- Не поднимайте зарядное устройство за шнур питания. Для отсоединения зарядного устройства от сетевой розетки потяните за вилку. Не тяните за шнур питания.

Инструкции по технике безопасности во время технического обслуживания



ПРЕДУПРЕЖДЕНИЕ: В обязательном порядке прочитайте следующие инструкции по технике безопасности, прежде чем приступать к техобслуживанию изделия.

- Перед сборкой изделия, проведением техобслуживания или иных проверок извлекайте из него аккумулятор.
- Оператор может выполнять только те работы по техническому и сервисному обслуживанию, которые описаны в данном руководстве по эксплуатации. Для проведения более сложных работ по техническому и сервисному обслуживанию обращайтесь к своему дилеру по обслуживанию.
- Очистка аккумулятора или зарядного устройства водой запрещена. Использование сильного моющего средства может повредить пластмассу.

- При невыполнении работ по техобслуживанию срок службы изделия сокращается, а риск возникновения несчастных случаев увеличивается.
- Для выполнения любых работ по сервисному обслуживанию и ремонту, особенно защитных приспособлений изделия, необходимо пройти специальное обучение. Если после выполнения

обслуживания при проведении проверок были выявлены неисправности, обратитесь к своему дилеру по обслуживанию. Мы гарантируем, что ремонт и обслуживание вашего изделия будут выполнять квалифицированные профессионалы.

- Пользуйтесь только оригинальными запасными частями.

Сборка

Введение



ПРЕДУПРЕЖДЕНИЕ: Перед сборкой изделия внимательно изучите раздел техники безопасности.

Установка насадки

1. Установите насадку на переднюю часть изделия. (Рис. 26)
2. Прижмите насадку до щелчка.

Монтаж зарядного устройства 40-С80 на стену



ВНИМАНИЕ: Не используйте электрическую отвертку для монтажа зарядного устройства на стену. Электрическая отвертка может повредить зарядное устройство.

Эксплуатация

Введение



ПРЕДУПРЕЖДЕНИЕ: Перед эксплуатацией изделия внимательно изучите раздел техники безопасности.

Проверка функциональности изделия перед использованием

1. Проверьте впуск воздуха на наличие загрязнений и трещин. С помощью щетки очистите траву и листья с изделия. См. раздел *Проверка впуска воздуха на стр. 312*.
2. Убедитесь, что изделие работает исправно.
3. Проверьте все гайки и винты и убедитесь, что они затянуты надлежащим образом.

Аккумулятор



ПРЕДУПРЕЖДЕНИЕ: Перед эксплуатацией аккумулятора ознакомьтесь с разделом, посвященным

безопасности, и усвойте его содержание. Прочтите и усвойте также все сведения, приведенные в руководстве по эксплуатации аккумулятора и зарядного устройства.

Храните аккумулятор и зарядное устройство при допустимой температуре окружающей среды.

	Температура окружающей среды
Эксплуатация изделия	-5 °C – 40 °C / 23 °F - 104 °F
Зарядка аккумулятора	5 °C – 40 °C / 41 °F - 104 °F

Светодиодный индикатор аккумулятора

На дисплее отображается состояние заряда и информация о проблемах с аккумулятором при наличии. (Рис. 28)

Светодиодный индикатор	Состояние аккумулятора (уровень заряда)
Горят 4 светодиодных индикатора	Аккумулятор заряжен на 76–100%.
Горят 3 светодиодных индикатора	Аккумулятор заряжен на 51–75%.
Горят 2 светодиодных индикатора	Аккумулятор заряжен на 26–50%.
Горит 1 светодиодный индикатор	Аккумулятор заряжен на 6–25%.
Мигает 1 светодиодный индикатор	Аккумулятор заряжен на 0–5%.

Зарядка аккумулятора

Зарядите аккумулятор, если он используется в первый раз. Уровень заряда нового аккумулятора составляет 30%.

только рекомендованный аккумулятор
Husqvarna.



ВНИМАНИЕ: Подключайте зарядное устройство только к сети питания с напряжением и частотой, указанными на паспортной табличке устройства.

Аккумулятор не будет заряжаться, если его температура превышает 50 °C / 122 °F.

1. Подсоедините шнур питания к зарядному устройству.
2. Подключите зарядное устройство к заземленной сетевой розетке. Светодиодный индикатор зарядки мигает один раз. (Рис. 29)
3. Подключите аккумулятор к зарядному устройству. Загорается светодиодный индикатор зарядки. Длительность зарядки аккумулятора не должна превышать 24 часа. (Рис. 30)
4. Нажмите кнопку индикатора аккумулятора. Если все светодиодные индикаторы загораются, аккумулятор полностью заряжен.
5. Чтобы отсоединить зарядное устройство от розетки, потяните за вилку питания. Не тяните за шнур питания.
6. Извлеките аккумулятор из зарядного устройства.

Подключение аккумулятора к изделию



ПРЕДУПРЕЖДЕНИЕ:
Используйте с данным изделием

1. Убедитесь, что аккумулятор полностью заряжен.
2. Вставьте аккумулятор в крепление аккумулятора до щелчка. Аккумулятор должен легко перемещаться. В противном случае он устанавливается неправильно. (Рис. 31)

Запуск изделия

1. Нажмите и удерживайте нажатой кнопку запуска, пока не загорится зеленый светодиодный индикатор. (Рис. 32)
2. Используйте курок для управления изделием.

Выбор оптимального воздушного потока

- Нажмите кнопку выбора скорости, чтобы отрегулировать воздушный поток. Предусмотрено 3 варианта воздушного потока. (Рис. 33)

Выключение изделия

1. Отпустите курок.
2. Нажмите и удерживайте нажатой кнопку питания, пока зеленый светодиодный индикатор не погаснет.
3. Нажмите кнопку извлечения и извлеките аккумулятор. (Рис. 34)

Функция автоматической остановки

Изделие оснащено функцией автоматической остановки, которая выполняет остановку изделия, когда оно не используется. Зеленый светодиодный индикатор питания гаснет, и изделие останавливается через 3 мин.

Техническое обслуживание

Введение



ПРЕДУПРЕЖДЕНИЕ: Перед выполнением обслуживания прибора необходимо ознакомиться и понять раздел безопасности.

График технического обслуживания



ПРЕДУПРЕЖДЕНИЕ: Перед проведением технического обслуживания извлеките аккумулятор.

Ниже приведен перечень обязательных работ по техническому обслуживанию изделия.

Техническое обслуживание	Ежедневно	Еженедельно	Ежемесячно
Очистите изделие чистой и сухой тканью. Не используйте воду.	X		
Убедитесь, что рукоятки сухие и чистые.	X		
Проверьте кнопочную панель.	X		
Проверьте курок.	X		
Проверьте затяжку гаек и винтов.	X		
Проверьте аккумулятор на наличие повреждений.	X		
Проверьте уровень заряда аккумулятора.	X		
Убедитесь, что кнопки извлечения аккумулятора не повреждены и фиксируют аккумулятор в изделии.	X		
Проверьте зарядное устройство на наличие повреждений.	X		
Убедитесь, что соединения, разъемы и кабели чистые и не повреждены.		X	
Проверьте соединения на аккумуляторе, зарядном устройстве и изделии.			X

Проверка впуска воздуха

1. Убедитесь в отсутствии засорения впуска воздуха. (Рис. 35)
2. При необходимости остановите изделие и удалите из него посторонний материал.



ВНИМАНИЕ: Засорение впуска воздуха приводит к снижению производительности изделия и повышению рабочей температуры двигателя. В результате повышается риск выхода двигателя из строя из-за перегрева.

Проверка аккумулятора и зарядного устройства

1. Проверьте аккумулятор на наличие повреждений, например, трещин.

2. Проверьте зарядное устройство на наличие повреждений, например, трещин.
3. Проверьте соединительный шнур зарядного устройства на наличие повреждений или трещин.

Очистка изделия, аккумулятора и зарядного устройства

1. После использования очистите изделие сухой тканью.
2. Очистите аккумулятор и зарядное устройство сухой тканью. Направляющие аккумулятора должны быть очищены от грязи.
3. Перед установкой аккумулятора в зарядное устройство или изделие убедитесь, что клеммы аккумулятора и зарядного устройства не загрязнены.

Поиск и устранение неисправностей

Панель управления

Светодиодная индикация	Возможные неисправности	Возможные решения
Красный светодиодный индикатор ошибки мигает.	Отклонение температуры.	Дайте изделию остыть.
	Загрязнены разъемы аккумулятора, или заблокирован вентилятор.	Очистите сжатым воздухом или мягкой щеткой.
	Аккумулятор разряжен.	Зарядите аккумулятор.
	Аккумулятор поврежден.	Обратитесь в сервисный центр.

Аккумулятор

Светодиодная индикация	Возможные неисправности	Возможные решения
Зеленый светодиодный индикатор мигает.	Низкое напряжение аккумулятора.	Зарядите аккумулятор.
Светодиодный индикатор ошибки мигает.	Отклонение температуры.	Используйте аккумулятор при температуре в диапазоне -5 °C – 40 °C / 23 °F - 104 °F.
	Слишком высокое напряжение.	Убедитесь, что напряжение в сети соответствует значению напряжения, указанному на паспортной табличке изделия. Извлеките аккумулятор из зарядного устройства.
Горит светодиодный индикатор ошибки.	Слишком большая разница в напряжении элементов (1 В).	Обратитесь в официальный сервисный центр.

Зарядное устройство

Светодиодная индикация	Возможные неисправности	Возможные решения
Светодиодный индикатор зарядки непрерывно горит красным.	Зарядное устройство повреждено.	Обратитесь в официальный сервисный центр.

Светодиодная индикация	Возможные неисправности	Возможные решения
Светодиодный индикатор зарядки мигает зеленым.	Температура аккумулятора вне допустимого диапазона для зарядки.	Дайте аккумулятору остыть или прогрейте его. Когда температура аккумулятора будет соответствовать норме, его можно снова использовать или заряжать. Используйте зарядное устройство при температуре окружающей среды в диапазоне 5 °C – 40 °C / 41 °F - 104 °F.
Светодиодный индикатор зарядки мигает красным.	Аккумулятор поврежден.	Обратитесь в сервисный центр.

Транспортировка, хранение и утилизация

Транспортировка и хранение

- Входящие в комплект литий-ионные аккумуляторы соответствуют требованиям законодательства в отношении опасных товаров.
- Соблюдайте особые требования к упаковке и маркировке для коммерческих перевозок, в том числе третьими лицами и экспедиторами.
- Перед отправкой/транспортировкой изделия обратитесь к человеку, прошедшему специальную подготовку по работе с опасными материалами. Соблюдайте все применимые государственные нормативы.
- Перед помещением аккумулятора в упаковку заклейте открытые контакты изолянтной. Плотнo упакуйте аккумулятор для предотвращения его перемещения.
- Перед хранением или транспортировкой аккумулятор необходимо извлечь из изделия.
- Храните аккумулятор и зарядное устройство в сухом месте, не подверженном воздействию влаги и низких температур.
- Не допускается хранение аккумулятора в местах, где существует риск возникновения статического электричества. Запрещается хранить аккумулятор в металлической коробке.
- Храните аккумулятор при температуре в диапазоне 5°C / 41°F and 25°C / 77°F, вдали от прямых солнечных лучей.
- Храните зарядное устройство для аккумулятора при температуре в диапазоне 5 °C/41 °F and 45°C/113°F, вдали от прямых солнечных лучей.
- Используйте зарядное устройство только при температуре окружающей среды в диапазоне 5 °C – 40 °C / 41 °F - 104 °F.

- Перед помещением аккумулятора на длительное хранение зарядите его на 30–50%.
- Храните изделие при температуре в диапазоне от -40 до +60 °C (от -40– до 140 °F).
- Храните зарядное устройство в сухом закрытом помещении.
- Храните аккумулятор отдельно от зарядного устройства. Не позволяйте притрагиваться к оборудованию детям и другим лицам, не имеющим соответствующего разрешения. Храните оборудование в месте, которое можно запретить.
- Перед помещением изделия на длительное хранение очистите его и проведите полное обслуживание.
- Надежно закрепляйте изделие на время транспортировки.

Утилизация аккумулятора, зарядного устройства и изделия

Символы на изделии или упаковке изделия указывают на то, что изделие запрещается утилизировать как бытовые отходы. Изделие необходимо передать в пункт переработки электрического и электронного оборудования. Это поможет предотвратить отрицательное воздействие на окружающую среду и здоровье людей.

Свяжитесь с местными органами власти, службой по утилизации бытовых отходов или дилером для получения дополнительной информации о том, как направить изделие на вторичную переработку.

Технические данные

Технические данные

	122iB
Электродвигатель	
Тип двигателя	PMDC
Вес	
Вес без аккумулятора, кг	1,9
Излучение шума, уровни шума, ^{64 65}	
Уровень мощности звука, измеренный, дБ(А)	92,2
Уровень мощности звука, гарантированный, L_{WA} , дБ(А)	93
Эквивалентный уровень звукового давления, воздействующего на органы слуха оператора, измеренный согласно EN IEC 62841-4-6 и ISO 22868, дБ(А):	82,8
Уровни вибрации ⁶⁶	
Уровни вибрации на рукоятках, измерены согласно EN IEC 62841-4-6, m/c^2	1,13
Производительность вентилятора	
Пиковый объемный расход, $m^3/ч$	865
Пиковая теоретическая скорость, м/с	53
Сила воздушного потока, Н	11

Данные об уровне шума и вибрации определены для максимальной допустимой скорости.

Примечание: Заявленное суммарное значение вибрации и заявленные значения излучения шума измерены в соответствии со стандартным методом испытания и могут использоваться для сравнения одного инструмента с другим.

Примечание: Заявленное суммарное значение вибрации и заявленные значения шумового

излучения также могут использоваться для предварительной оценки воздействия.

Примечание: Уровни вибрации и шума при фактическом использовании изделия могут отличаться от заявленного общего значения в зависимости от того, как именно используется изделие. Необходимо определить меры безопасности для защиты оператора на основании результатов оценки воздействия в реальных условиях эксплуатации. В рамках оценки должны учитываться все этапы рабочего цикла, в том числе время отключения инструмента и время работы на холостом ходу в дополнение ко времени работы при нажатии курка.

⁶⁴ Излучение шума в окружающую среду измеряется как звуковая мощность (L_{WA}) согласно Директиве Европейского союза 2000/14/ЕС, указанные значения имеют типичный статистический разброс (стандартное отклонение) 1,0 дБ(А).

⁶⁵ Указанные данные об эквивалентном уровне звукового давления изделия имеют типичный статистический разброс (стандартное отклонение) 1,3 дБ(А).

⁶⁶ Указанные данные об уровне вибрации имеют типичный статистический разброс (стандартное отклонение) 1,5 m/c^2 .

Рекомендованные аккумуляторы для изделия

Аккумулятор	40-B140
Тип	Литий-ионный
Емкость аккумулятора, А·ч	См. паспортную табличку аккумулятора
Номинальное напряжение, В	36
Вес, кг / фунт	1,25 / 2,76

Рекомендованные зарядные устройства

Зарядное устройство	40-C80
Входное напряжение, В	100–240
Частота, Гц	50–60
Мощность, Вт	72
Выходное напряжение, В пост. тока / А	43 / 1,6

Декларация о соответствии

Декларация соответствия требованиям ЕС

Мы, компания **Husqvarna AB**, SE-561 82
Husqvarna, ШВЕЦИЯ, тел.: +46-36-146500, с полной
ответственностью заявляем, что изделие:

Описание	Ручной аккумуляторный воздуходув
Марка	Husqvarna
Тип / Модель	122iB
Идентификация	Серийные номера начиная с 2025 года и далее

соответствует следующим директивам и нормативам
ЕС с внесенными поправками:

Норматив	Описание
2006/42/ЕС	"О механическом оборудовании"
2014/30/EU	"Об электромагнитной совместимости"
2011/65/EU	"Об ограничении использования определенных опасных веществ в электрическом и электронном оборудовании"
2000/14/ЕС	"Об излучении шума в окружающую среду"

а также требованиям следующих стандартов
и/или технических регламентов: EN 62841-1:2015/
A11:2022, EN IEC 62841-4-6:2024/A11:2024, EN IEC
63000:2018

EN IEC 55014-1:2021, EN IEC 55014-2:2021

Заявленные значения уровня шума в соответствии с
Директивой 2000/14/ЕС, Приложение V, приведены в
разделе *Технические данные на стр. 315.*

Husqvarna, 2025-11-03

Клаес Лосдал (Claes Losdal), директор отдела
разработок, Husqvarna AB

Ответственный за техническую документацию



ТОО "Мастер Гарден Казахстан"
Рег. номер 220540029853
Шоссе Коргалжын, д. 76
Астана, 010000
Казахстан

Obsah

Úvod.....	318	Riešenie problémov.....	327
Bezpečnosť.....	319	Preprava, skladovanie a likvidácia.....	328
Montáž.....	324	Technické údaje.....	328
Prevádzka.....	325	Vyhľadanie o zhode.....	331
Údržba.....	326		

Prehľad výrobku

(Obr. 1)

1. Dýza fúkača
2. Uvoľňovacia tlačidlo pre dýzu fúkača
3. Klávesnica
4. Páčka vypínača
5. Rukoväť
6. Vypínač
7. Indikátor napájania
8. Výstražný indikátor – chybová dióda LED
9. Tlačidlo na reguláciu otáčok
10. Podpery
11. Tlačidlo indikátora stavu akumulátora
12. Stav akumulátora
13. Výstražný indikátor akumulátora
14. Tlačidlo uvoľnenia akumulátora
15. Akumulátor
16. Indikátor zapnutia a upozornenia
17. Spojka
18. Nabíjačka 40-C80
19. Návod na obsluhu

Popis výrobku

Husqvarna 122iB je model fúkačov s elektrickým motorom.

Plánované použitie

Tento výrobok je spoľahlivý a praktický ručný fúkač na bežné upratovanie okolo domu a na záhrade.

Symbols na výrobku

- (Obr. 2) UPOZORNENIE: Tento výrobok môže byť nebezpečný a spôsobiť vážne poranenie alebo usmrtenie obsluhujúceho pracovníka alebo iných osôb. Postupujte opatrne a používajte výrobok správnym spôsobom.
- (Obr. 3) Pred používaním výrobku si prečítajte návod na obsluhu a uistite sa, že rozumiete uvedeným pokynom.
- (Obr. 4) Používajte schválené chrániče očí.
- (Obr. 5) UPOZORNENIE – Udržujte okolostojace osoby ďalej.
- (Obr. 6) Výrobok nevystavujte dažďu.

(Obr. 7)

Označenie týkajúce sa emisie hluku do okolia podľa smerníc a nariadení EÚ a legislatívy v štáte New South Wales „Protection of the Environment Operations (Noise Control) Regulation 2017“ (Nariadenie o ochrane životného prostredia pri prevádzke (kontrola hluku) z roku 2017). Zaručená hladina akustického výkonu výrobku je uvedená v časti *Technické údaje na strane 328* a na štítku.

(Obr. 8)

Výrobok alebo jeho obal nepredstavuje komunálny odpad. Recyklujte ho v recyklačnej stanici určenej pre elektrické a elektronické zariadenia.

(Obr. 9)

Tento výrobok je v súlade s príslušnými smernicami ES.

(Obr. 10)

Menovité napätie, V

(Obr. 11)

Jednosmerný prúd.

m **t** **xxxx**

Typový štítok zobrazuje výrobné číslo. **yyyy** je rok výroby, **ww** je týždeň výroby a **xxxx** je poradové číslo.

Poznámka: Ostatné symboly/štítky na výrobku obsahujú údaje v súlade so zvláštnymi požiadavkami certifikácie pre určité trhy.

Symbols na batérii a/alebo na nabíjačke batérií

- (Obr. 12) Transformátor odolný voči poruchám.
- (Obr. 13) Nabíjačku používajte a skladujte len v interiéri.
- (Obr. 14) Dvojité izolácia.

(Obr. 15)

Tento výrobok recyklujte v recyklačnej stanici určenej pre elektrické a elektronické zariadenia. (Uplatňuje sa iba na Európu)

Poškodenie výrobku

Nie sme zodpovední za škody na našom výrobku v prípade:

- nesprávne vykonanej opravy výrobku,
- opravy výrobku, pri ktorej neboli použité diely od výrobcu alebo diely schválené výrobcom,
- používania príslušenstva od iného výrobcu alebo príslušenstva, ktoré nie je schválené výrobcom,

- opravy výrobku, ktoré neboli vykonané v schválenom servisnom stredisku alebo schválenými kompetentnými osobami.

Výrobca

Husqvarna AB

Drottninggatan 2, SE-561 82 Huskvarna

Bezpečnosť

Bezpečnostné definície

Výstrahy, upozornenia a poznámky slúžia na zdôraznenie mimoriadne dôležitých častí návodu.



VÝSTRAHA: Používa sa, ak pre obsluhu alebo osoby v okolí existuje nebezpečenstvo poranenia alebo smrti v prípade nedodržania pokynov v návode.



VAROVANIE: Používa sa, ak hrozí nebezpečenstvo poškodenia produktu, iných materiálov alebo okolitej oblasti v prípade nedodržania pokynov v návode.

Poznámka: Používa sa na poskytnutie informácií nad rámec nevyhnutných informácií v danej situácii.

Všeobecné bezpečnostné upozornenia k stroju



VÝSTRAHA: Prečítajte si všetky bezpečnostné upozornenia a pokyny a pozrite si ilustrácie a uvedené špecifikácie tohto stroja. *Nedodržanie všetkých nižšie uvedených pokynov môže spôsobiť zásah elektrickým prúdom, požiar alebo ťažké zranenia.*

Uchovajte si všetky upozornenia a pokyny pre budúce použitie.

Poznámka: Výraz „stroj“ použitý v upozorneniach označuje stroj napájaný z elektrickej siete (s káblom) alebo z akumulátora (bez kábla).

Bezpečnosť na pracovisku

- **Pracovisko udržiavajte v čistote a dobre osvetlené.** Neporiadok aj tmavé osvetlenie vedú k nehodám.
- **So strojom nepracujte v prostredí, kde sa nachádzajú horľavé tekutiny, plyny alebo prach.** Stroje spôsobujú iskrenie, ktorým sa môže vznietiť prach alebo výpary.

- **Nedovoľte, aby sa v blízkosti práce so strojom zdržiavali deti alebo iné osoby.** Rušivé podnety môžu spôsobiť stratu kontroly.

Elektrická bezpečnosť

- **Zástrčky stroja musia byť vhodné na pripojenie do zásuvky. Nikdy a žiadnym spôsobom nemodifikujte elektrickú zástrčku. Pri uzemnených strojoch nepoužívajte žiadne adaptérové zástrčky.** Nemodifikované zástrčky a zhodné zásuvky znižujú riziko úrazu elektrickým prúdom.
- **Zabráňte telesnému kontaktu s uzemnenými plochami, napríklad s potrubím, radiátormi, sporákmi a chladničkami.** Ak je vaše telo uzemnené, riziko úrazu elektrickým prúdom je zvýšené.
- **Stroje nevystavujte pôsobeniu dažďa ani vlhkosti.** Vniknutie vody do stroja zvyšuje riziko zásahu elektrickým prúdom.
- **Nepoužívajte kábel nesprávnym spôsobom. Kábel nikdy nepoužívajte na prenášanie, ťahanie ani odpájanie stroja.** Kábel chráňte pred teplom, olejom, ostrými hranami alebo pohybujúcimi sa časťami. Poškodené alebo zamotané káble zvyšujú riziko úrazu elektrickým prúdom.
- **Pokiaľ pracujete so strojom vonku, používajte len taký predlžovací kábel, ktorý je určený pre exteriér.** Používanie kábla určeného do vonkajšieho prostredia znižuje riziko zásahu elektrickým prúdom.
- **Pokiaľ sa nemôžete vyhnúť prevádzke stroja vo vlhkom prostredí, použite zásuvku s prúdovým chráničom.** Použitie prúdového chrániča znižuje riziko úrazu elektrickým prúdom.

Osobná bezpečnosť

- **Pracujte obozretné, dávajte pozor a pri používaní stroja postupujte rozumne. Stroj nepoužívajte, ak ste unavení alebo pod vplyvom drog, alkoholu alebo liekov.** Chvilka nepozornosti pri používaní strojov môže viesť k vážnemu zraneniu.
- **Používajte osobné ochranné pomôcky. Vždy noste ochranné prostriedky očí.** Používanie osobných ochranných prostriedkov, ako je maska proti prachu, protišmyková bezpečnostná obuv, ochranná prilba alebo ochrana sluchu podľa druhu a spôsobu použitia elektrického náradia, znižujú riziko poranenia.

- **Zabráňte neúmyselnému spusteniu zariadenia. Pred pripojením k elektrickej sieti alebo akumulátoru, zdvihnutím alebo prenášaním stroja overte, či je vypínač vo vypnutej polohe.** Pokiaľ máte pri prenášaní strojov prst na spínači alebo pokiaľ sú stroje v zapnutom stave pripojené na zdroj prúdu, môže dôjsť k úrazom.
- **Predtým, ako stroj zapnete, odstráňte z neho nastavovací kľúč alebo kľúč na matice.** Nástroje alebo kľúče, ktoré sa nachádzajú v rotujúcich častiach stroja, môžu spôsobiť úraz.
- **Nenaťahujte sa príliš ďaleko. Vždy si udržiavajte rovnováhu a správny postoj.** Tým môžete stroj v neočakávaných situáciách lepšie kontrolovať.
- **Vhodne sa oblečte. Nenoste voľné oblečenie alebo šperky. Udržujte svoje vlasy a oblečenie mimo dosahu pohyblivých častí.** Voľné oblečenie, šperky alebo dlhé vlasy sa môžu zachytiť v pohyblivých častiach.
- **Ak je možné pripojiť zariadenia na odsávanie a zber prachu, overte, či sú tieto zariadenia pripojené a či sa správne používajú.** Používanie zberača prachu môže obmedziť nebezpečenstvá týkajúce sa prachu.
- **Aj keď ste po viacnásobnom používaní so strojom oboznámení, nenechajte sa ukolísť falošným pocitom bezpečia a neprestaňte dbať na bezpečnostné pravidlá pre stroj.** Nepozorné konanie môže v zlomku sekundy viesť k ťažkým poraneniam.

Používanie a starostlivosť o stroj

- **Stroj nepreťažujte.** Pre svoju prácu používajte vždy len na to určený stroj. S vhodným strojom sa vám v danom rozsahu výkonu bude pracovať lepšie a bezpečnejšie.
- **Nepoužívajte stroj, ktorý má pokazený spínač.** Stroj, ktorý sa nedá zapnúť a vypnúť, je nebezpečný a musí sa opraviť.
- **Pred akýmkoľvek nastavením, výmenou príslušenstva alebo skladovaním stroja odpojte zástrčku od zdroja napájania alebo vyberte akumulátor zo stroja, ak je vyberateľný.** Toto bezpečnostné opatrenie zabráni neúmyselnému štartu stroja.
- **Nepoužívaný stroj uskladnite mimo dosahu detí. Nedovoľte, aby stroj používali osoby, ktoré s ním nie sú oboznámené alebo si neprečítali tieto pokyny.** Stroje sú nebezpečné, pokiaľ ich používajú neskúsené osoby.
- **Vykonávajte údržbu strojov a príslušenstva. Kontrolujte, či sa pohyblivé diely voľne pohybujú a nezasekávajú sa, či nie sú niektoré diely zlomené alebo tak poškodené, že by mohli ovplyvniť funkciu stroja. Poškodené diely stroja nechajte pred použitím opraviť.** Mnohé úrazy sú spôsobené nesprávnou údržbou strojov.
- **Rezacie stroje udržiavajte nabrúsené a čisté.** Správne udržiavané rezacie stroje s ostrými hranami sú menej náchylné na uviaznutie a ľahšie sa ovládajú.

- **Stroj, príslušenstvo, ostrie a pod. používajte v súlade s týmito pokynmi, pričom vezmite do úvahy pracovné podmienky a typ vykonávanej práce.** Použitie stroja na iné ako určené účely môže viesť k nebezpečným situáciám.
- **Rukoväť a úchytné povrchy udržiavajte suché, čisté a neznečistené olejom a mazivom.** Klzké rukoväte a plochy rukoväte znemožňujú bezpečnú obsluhu a kontrolu elektrického náradia v nepredvídateľných situáciách.

Používanie akumulátorového stroja a starostlivosť oň

- **Nabíjajte iba pomocou nabíjačky špecifikovanej výrobcom.** Nabíjačka, ktorá je vhodná pre jeden typ akumulátora, môže pri použití s iným akumulátorom predstavovať nebezpečenstvo požiaru.
- **Stroje používajte iba s presne určenými akumulátormi.** Pri použití akéhokoľvek iného akumulátora môže hroziť nebezpečenstvo poranenia a požiaru.
- **Keď sa akumulátor nepoužíva, udržiajte ho mimo dosahu kovových predmetov, ako sú spony na papier, mince, kľúče, klince, skrutky alebo iné drobné kovové predmety, ktoré môžu vytvoriť spoj medzi svorkami.** Skratovanie svoriek akumulátora môže spôsobiť popáleniny alebo požiar.
- **Pri neopatrnom zaobchádzaní môže z akumulátora uniknúť tekutina. Nedotýkajte sa jej. V prípade náhodného kontaktu umyte postihnuté miesto vodou. Ak sa dostane kvapalina z akumulátora do očí, vyhľadajte aj lekársku pomoc.** Kvapalina vystrekujúca z akumulátora môže spôsobiť podráždenie alebo popáleniny.
- **Nepoužívajte poškodený alebo upravený akumulátor alebo stroj.** Poškodené alebo upravené akumulátory môžu mať za následok nepredvídateľné fungovanie a spôsobiť požiar, výbuch alebo predstavovať nebezpečenstvo poranenia.
- **Nevystavujte akumulátor ani stroj ohňu ani príliš vysokým teplotám.** Pri vystavení ohňu alebo teplote nad 130 °C (265 °F) môže dôjsť k výbuchu.
- **Dodržiavajte všetky pokyny na nabíjanie a akumulátor ani stroj nenabíjajte mimo teplotného rozsahu uvedeného v pokynoch.** Pri nesprávnom nabíjaní alebo pri vonkajších teplotách mimo uvedeného rozsahu hrozí poškodenie akumulátora a zvyšuje sa nebezpečenstvo požiaru.

Služba

- **Stroj zverte do opravy iba kvalifikovanému odborníkovi a používajte iba originálne náhradné diely.** Iba tak je možné zaisťiť zachovanie bezpečnosti stroja.
- **Poškodené akumulátory nikdy neservisujte sami.** Servis akumulátora smie vykonávať len výrobca alebo autorizovaný servis.

Bezpečnostné upozorenia pri práci so záhradným fúkačom

- **Záhradný fúkač nepoužívajte počas nepriaznivých poveternostných podmienok, najmä ak hrozí riziko bleskov.** Zníži sa tým riziko zasiahnutia bleskom.
- **Noste chrániče očí.** Používaním náležitých ochranných prostriedkov sa zníži riziko zranenia.
- **Počas používania záhradného fúkača vždy noste protišmykovú a ochrannú obuv. Záhradný fúkač nepoužívajte, ak ste bosí alebo máte obuté otvorené sandále.** Znižuje sa tým riziko poranenia chodidiel.
- **Nenoste voľné oblečenie alebo predmety, ako sú šatky, šnúrky, reťazky, kravaty atď., ktoré by sa mohli dostať do otvorov vzduchu. Dlhé vlasy si zviažte alebo zakryte, aby sa nedostali do otvorov vzduchu.** Ak sa niektorý z týchto predmetov dostane do otvorov vzduchu, môže to zvýšiť riziko poranenia.
- **Počas používania záhradného fúkača nedovoľte okolostojacim približovať sa.** Odfúknuté úlomky môžu zvýšiť riziko poranenia.
- **Nikdy nemierte dýzu fúkača smerom k osobám, domácim zvieratám alebo smerom k oknám. Pri odfukovaní úlomkov v blízkosti pevných objektov, ako sú stromy, automobily a steny, od ktorých sa môžu odraziť, buďte mimoriadne opatrní.** Odfúknuté predmety môžu poškodiť majetok a zvýšiť riziko poranenia.
- **Záhradný fúkač nepoužívajte na nič, čo horí alebo dymí, napríklad cigarety, zápalky alebo horúci popol.** Tieto zdroje zapálenia môžu zvýšiť riziko požiaru.
- **Nedotýkajte sa ventilátora, keď je v pohybe. Pred odstránením akejkoľvek časti, ktorá by mohla umožniť prístup k ventilátoru, vypnite záhradný fúkač a počkajte, kým sa zastaví.** Znižuje sa tým riziko poranenia pohyblivými časťami.
- **Pri odstraňovaní zaseknutého materiálu alebo pri údržbe záhradného fúkača sa uistite, že vypínač je vypnutý.** Neočakávané spustenie fúkača v priebehu odstraňovania zachyteného materiálu alebo vykonávania servisu môže spôsobiť vážne poranenie.

Všeobecné bezpečnostné pokyny



VÝSTRAHA: Skôr než budete výrobok používať, prečítajte si nasledujúce výstrahy.

- Tento výrobok je nebezpečný, ak sa nepoužíva správne alebo ak nie ste pri jeho používaní opatrní. V prípade nedodržania bezpečnostných pokynov hrozí poranenie alebo usmrtenie.
- Tento výrobok vytvára počas prevádzky elektromagnetické pole. Toto pole môže za určitých okolností spôsobovať rušenie aktívnych alebo pasívnych implantovaných zdravotníckych pomôcok. Na zníženie rizika vážneho alebo smrteľného zranenia odporúčame, aby sa osoby s implantovanými pomôckami poradili so svojím

lekárom a výrobcom pomôcky ešte pred použitím tohto výrobku.

- Vždy zachovávajte opatrosť a riadte sa zdravým úsudkom. Ak si v určitých situáciách nie ste istí, ako máte výrobok používať, výrobok nepoužívajte a pred pokračovaním v práci sa poraďte s predajcom spoločnosti Husqvarna.
- Nezabudnite, že operátor bude zodpovedný za nehody zahrňajúce iné osoby alebo ich majetok.
- Výrobok udržiavajte čistý. Symboly a emblémy musia byť čitateľné.
- Nikdy nedovoľte používať zariadenie deťom ani osobám, ktoré sa neoboznámili s návodom na používanie. Miestne predpisy môžu obmedzovať vek používateľa.
- Osoby so zníženými fyzickými alebo duševnými schopnosťami musia byť počas používania výrobku vždy pod dozorom. Vyžaduje sa neustála prítomnosť zodpovednej dospeléj osoby.
- Výrobok nepoužívajte, ak ste unavení, chorí alebo ste pod vplyvom alkoholu, drog alebo liekov. Vyššie uvedené prípady majú negatívny vplyv na váš zrak, ostražitosť, koordináciu a úsudok.
- Ak je výrobok poškodený alebo nefunguje správne, nepoužívajte ho.
- Výrobok žiadnym spôsobom neupravujte ani nepoužívajte, ak existuje možnosť, že bol upravený inými osobami.

Bezpečnosť pri práci



VÝSTRAHA: Skôr než budete výrobok používať, prečítajte si nasledujúce výstrahy.

- Používajte osobné ochranné pomôcky. V časti *Osobné ochranné prostriedky na strane 322*.
- Naučte sa, ako v prípade núdze rýchlo zastaviť motor.
- Výrobok nepoužívajte na daždi alebo vlhkých miestach. V prípade preniknutia vody do výrobku sa zvyšuje riziko zásahu elektrickým prúdom.
- Pri obsluhu vždy stojte za výrobkom.
- Výrobok nikdy nedvíhajte, keď je spustený motor. Ak výrobok musíte zdvihnúť, zastavte motor a odstráňte akumulátor.
- Počas obsluhy výrobku necúvajte.
- Zastavte motor, keď je potrebné výrobok nakloniť z dôvodu prepravy alebo pred presunom cez plochy bez porastu trávy, napríklad cesty zo štrku, kameňa a asfaltu.
- Keď je zapnutý motor, s výrobkom neutekajte. Počas obsluhy výrobku vždy kráčajte.
- Vibrácie výrobku počas prevádzky sa môžu líšiť od deklarovanej hodnoty vibrácií v časti *Technické údaje na strane 328*. Rozdiel je spôsobený variáciami v spôsobe používania výrobku. Ak výrobok používate často alebo dlhodobo, robte

pravidelné prestávky, aby ste predišli poraneniam spôsobeným vibráciami.

Bezpečnostné pokyny pre prevádzku



VÝSTRAHA: Skôr než budete výrobok používať, prečítajte si nasledujúce výstrahy.

- Ak sa vyskytne situácia, v ktorej si nebudete istí, ako postupovať, obráťte sa na odborníka. Kontaktujte predajcu alebo servisné stredisko. Nepoužívajte výrobok, ak to podľa vás presahuje vaše možnosti.
- Uistite sa, že sa môžete pohybovať a stáť bezpečne. Skontrolujte, či okolo vás nie sú prekážky (korene, skaly, vetvy, jamy a podobne) pre prípad, že by ste sa museli náhle pohnúť. Dávajte veľký pozor pri práci na prudkých svahoch.
- Za každých okolností udržiavajte dobrú rovnováhu a pevný postoj. Nenaťahujte sa príliš ďaleko.
- Ak nosíte chrániče sluchu, dávajte pozor na varovné signály alebo výkriky. Vždy si chrániče sluchu skladajte hneď, ako sa výrobok zastaví.
- Výrobok nepoužívajte v blízkosti otvorených okien.
- Buďte ohľaduplní k osobám žijúcim vo vašom okolí a nepoužívajte výrobok v nevhodný čas, napríklad neskoro večer alebo skoro ráno. Dodržiavajte miestne predpisy a nariadenia.
- Používajte výrobok na čo najmenšie prúdenie vzduchu. Málokedy je potrebné využívať plné prúdenie vzduchu a väčšina prác sa dá vykonávať na polovičné prúdenie vzduchu. Menšie prúdenie vzduchu znamená menej hluku a menej prachu a taktiež sa ľahšie udržiava kontrola nad presúvaním/zbieraním odpadu.
- Pri použití výrobku v prašných podmienkach mierne navlhčite povrch.
- Na uvoľnenie odpadu, ktorý je uviaznutý v zemi, použite hrable.
- Pridržiavajte otvor fúkača čo najbližšie k zemi.
- Dávajte pozor na okolie. Výrobok nasmerujte preč od ľudí, zvierat, detských ihrísk, áut atď.
- Čas fúkania skráťte miernym zvlhčením vykonávaných miest alebo použitím striekacieho zariadenia.
- Dávajte pozor na smer vetra. Prácu vykonajte ľahšie, ak budete pracovať v smere vetra.
- Ak výrobok začne nezvykle vibrovať, zastavte ho a vyberte akumulátor.
- Používanie fúkača na premiestnenie veľkých kôp zaberie veľa času a vytvára sa zbytočný hluk.
- Následne môžete začať s čistením. Uistite sa, že ste nenaľákali odpad do niečej záhrady.
- S výrobkom nebehajte.
- Silný prúd vzduchu môže presúvať predmety takou rýchlosťou, že sa môžu odraziť späť a spôsobiť vážne poranenia očí.

(Obr. 16)

- Prúd vzduchu nesmerujte na ľudí ani zvieratá.

- Pred montážou alebo demontážou príslušenstva alebo iných dielov vždy zastavte motor.
- Všetky časti tela udržiavajte mimo horúcich plôch.
- Nikdy neukladajte výrobok na zem, keď je spustený, ak ho nemáte neustále zreteľne pod dohľadom.
- Fúkač sa nesmie používať z rebríka alebo lešenia.

(Obr. 17)

- Výrobok smiete používať len v takom prípade, že ste schopní privolať pomoc v prípade nehody.
- Dávajte pozor na odletujúce predmety. Kamene, úlomky atď. môžu vyletieť do očí a zapríčiniť slepotu alebo vážne poranenie.
- Na zvýšenie bezpečnosti pri nabíjaní výrobku použite zariadenie zvyškového prúdu (RCD). Zariadenie zvyškového prúdu je nainštalované ako ochrana operátora pre prípad výskytu elektrickej poruchy.
- Tento výrobok je známy svojou nízkou úrovňou vibrácií. Nadmerné vystavenie vibráciám môže viesť k poškodeniu krvného obehu alebo nervovým poškodeniam u ľudí, ktorí majú zhoršený krvný obeh. Pri symptómoch nadmerného vystavenia vibráciám sa obráťte na svojho lekára. Tieto príznaky sú ťpnutie, strata citu, chvenie, pichanie, bolesť, strata sily, zmeny vo farbe a stave pleti. Tieto symptómy sa bežne objavujú na prstoch, rukách a zápästiach.
- Výrobok používajte len na účel, na ktorý je určený.
- Nie je možné predvídať každú situáciu, ktorá môže nastať. Vždy konajte opatrne a riadte sa zdravým rozumom. Vyvarujte sa každej situácie, ktorá podľa vás presahuje vaše možnosti. Ak si ani po prečítaní týchto pokynov nie ste istý, ako so strojom zaobchádzať, obráťte sa na odborníka.
- Výrobok vždy držte pravou/ľavou rukou. Výrobok držte vedľa tela.

(Obr. 18)

Osobné ochranné prostriedky



VÝSTRAHA: Skôr než budete výrobok používať, prečítajte si nasledujúce výstrahy.

- Pri používaní produktu vždy používajte schválené osobné ochranné prostriedky. Osobné ochranné prostriedky nedokážu úplne vylúčiť riziko, ale môžu znížiť vážnosť zranenia v prípade nehody. Váš predajca vám pomôže pri výbere správnych prostriedkov.
- Používajte schválené chrániče sluchu.

(Obr. 19)

- Používajte schválené chrániče očí. Ak používate štít, musíte tiež používať schválené ochranné okuliare. Schválené ochranné okuliare musia zodpovedať norme ANSI Z87.1 platnej v USA alebo norme EN 166 platnej v krajinách EÚ.

(Obr. 20)

- V prípade potreby používajte ochranné rukavice.

(Obr. 21)

- Používajte ochrannú obuv s oceľovou špičkou a protišmykovými podrážkami.

(Obr. 22)

- Používajte odev vyrobený z pevnej tkaniny. Vždy noste pevné, dlhé nohavice a dlhé rukávy. Nepoužívajte voľný odev, ktorý sa môže zachytiť v konároch a vetvách. Nepoužívajte šperky, krátke nohavice ani sandále. Nechodte bosí. Vlasy si bezpečne uchytte nad úrovňou ramien.
- Majte poruke pomôcky na poskytnutie prvej pomoci.

(Obr. 23)

Bezpečnostné zariadenia na výrobku



VÝSTRAHA: Skôr než budete výrobok používať, prečítajte si nasledujúce výstrahy.

- V tejto časti je opísané bezpečnostné vybavenie výrobku, jeho účel a postup, ako vykonávať kontroly a údržbu, aby bola zabezpečená jeho správna činnosť. Pozrite si pokyny v časti *Prehľad výrobku na strane 318*, kde nájdete umiestnenie týchto dielov na výrobku.
- Ak údržba výrobku nebude vykonávaná správne, skráti sa tým jeho životnosť a zvýši sa riziko nehodovosti. Servis a/alebo opravy musia byť vykonané odborné. Ak potrebujete podrobnejšie informácie, obráťte sa na najbližší servis.
- Nikdy nepoužívajte výrobok, ktorý má chybné bezpečnostné prvky. Bezpečnostné vybavenie výrobku sa musí kontrolovať a udržiavať tak, ako je to opísané v tejto časti. Ak výrobok neprejde niektorou z kontrol, obráťte sa na servisného zástupcu na účel opravy.
- Všetky servisné a opravné práce na výrobku si vyžadujú špeciálne školenie. Platí to najmä o bezpečnostnom vybavení výrobku. Ak výrobok neprejde niektorou z kontrol popísaných nižšie, obráťte sa na servisného zástupcu. Pri kúpe ktoréhokoľvek z našich výrobkov vám zaručujeme dostupnosť odborných opráv a servis. Ak maloobchodný predajca, ktorý vám výrobok predáva, nie je servisný technik, požiadajte ho o adresu najbližšej servisnej dielne.

Kontrola klávesnice

1. Stlačte a podržte vypínač (A), kým sa nezozsvieti indikátor napájania (B). (Obr. 24)
2. Ak svieti alebo blíkajú indikátor (C), pozrite si časť *Riešenie problémov na strane 327*.

Kontrola vypínača

- Stlačením a uvoľnením páčky vypínača sa uistite, že sa ňou dá voľne pohybovať. (Obr. 25)

Bezpečnosť akumulátora



VÝSTRAHA: Skôr než budete výrobok používať, prečítajte si nasledujúce výstrahy.

- Odporúčaný akumulátor je 40-B series. Akumulátory sú softvérové kódované.
- Nabíjateľný akumulátor 40-B series používajte iba na napájanie príslušných výrobkov značky Husqvarna. V prípade iných zariadení nepoužívajte akumulátor ako zdroj napájania, aby ste zabránili riziku zranenia.
- Nebezpečenstvo zásahu elektrickým prúdom. Nepripájajte konektory akumulátora ku kľúčom, skrútkám ani k iným kovovým predmetom. Môže dôjsť k skratu akumulátora.
- Nepoužívajte batérie, ktoré nie sú dobíjateľné.
- Do vetracích otvorov akumulátora nekladajte žiadne predmety.
- Akumulátor nevystavuje priamemu slnečnému žiareniu, teplu ani otvorenému ohňu. Akumulátor môže spôsobiť popálenie alebo poleptanie.
- Akumulátor nevystavuje dažďu ani vlhku.
- Akumulátor nevystavuje mikrovlnnému žiareniu ani vysokému tlaku.
- Nepokúšajte sa rozoberať ani rozdrviť akumulátor.
- Zamedzte kontaktu akumulátorovej kyseliny s pokožkou. Akumulátorová kyselina spôsobuje poranenia pokožky, poleptanie a popálenie. Ak sa vám akumulátorová kyselina dostane do očí, nepretierajte si ich. Namiesto toho ich minimálne 15 minút vyplachujte vodou. Ak sa akumulátorová kyselina dostane do kontaktu s pokožkou, je nutné umyť ju veľkým množstvom vody a mydlom. Zavolajte lekársku pomoc.
- Akumulátor používajte v prostredí, v ktorom sa teplota pohybuje od $-10\text{ }^{\circ}\text{C}$ ($14\text{ }^{\circ}\text{F}$) do $40\text{ }^{\circ}\text{C}$ ($104\text{ }^{\circ}\text{F}$).
- Akumulátor ani nabíjačku nečistite vodou. Pozrite si časť *Čistenie výrobku, batérie a nabíjačky batérií na strane 327*.
- Nepoužívajte poškodenú batériu.
- Akumulátory uchovávajte v bezpečnej vzdialenosti od kovových predmetov, ako sú napr. kince, skrútky alebo šperky.
- Akumulátor uchovávajte mimo dosahu detí.

Bezpečnosť nabíjačky batérií



VÝSTRAHA: Skôr než budete výrobok používať, prečítajte si nasledujúce výstrahy.

- V prípade nedodržania bezpečnostných pokynov hrozí nebezpečenstvo zásahu elektrickým prúdom alebo skratu.
- Používajte len nabíjačku batérií dodanú s vašim výrobkom. Na nabíjanie náhradných batérií série 40-C80 používajte iba nabíjačku 40-B.

- Nabíjačku batérií sa nepokúšajte rozoberať.
- Nepoužívajte nabíjačku batérií, ktorá je poškodená alebo nefunguje správne.
- Nabíjačku batérií nedvíhajte za napájací kábel. Pri odpájaní nabíjačky batérií od sieťovej zásuvky ťahajte za zástrčku. Neťahajte za napájací kábel.
- Udržujte všetky káble a predlžovacie káble mimo dosahu vody, oleja a ostrých hrán. Dbajte, aby sa kábel nezachytil vo dverách, plotoch a podobne.
- Nabíjačku batérií nepoužívajte v blízkosti horľavých materiálov alebo materiálov, ktoré spôsobujú koróziu. Skontrolujte, či nabíjačka batérií nie je zakrytá. V prípade výskytu dymu alebo ohňa odpojte zástrčku nabíjačky batérií.
- Batériu nabíjajte len v interiéri na miestach s dobrým prúdením vzduchu a mimo slnečného svetla. Batériu nenabíjajte vonku. Batériu nenabíjajte vo vlhkom prostredí.
- Nabíjačku batérií používajte iba pri teplotách od 5 °C (41 °F) do 40 °C (104 °F). Nabíjačku používajte v prostredí, ktoré je dobre vetrané, suché a bez prachu.
- Do chladiacich otvorov nabíjačky batérií nekladajte žiadne predmety.
- Nikdy nepripájajte koncovky nabíjačky batérií ku kovovému predmetom, pretože tak môže nabíjačka skratovať.
- Používajte schválené elektrické zásuvky, ktoré nie sú poškodené. Skontrolujte, či nie je poškodený napájací kábel nabíjačky batérií. Ak používate predlžovacie káble, uistite sa, že nie sú poškodené.

- Nenabíjajte batérie v nabíjačkách batérií nenabíjajte.

Bezpečnostné pokyny pre údržbu



VÝSTRAHA: Skôr než začnete s údržbou výrobku, prečítajte si nasledujúce výstrahy.

- Pred vykonávaním údržby, inými kontrolami alebo zmontovaním produktu vyberte batériu.
- Obsluha je povinná vykonávať iba údržbu a servisné úkony uvedené v tomto návode na obsluhu. O vykonanie rozsiahlejšej údržby alebo servisu požiadajte svojho servisného zástupcu.
- Batériu ani nabíjačku batérií nečistite vodou. Silné čistiace prostriedky môžu spôsobiť poškodenie plastov.
- V prípade zanedbania údržby sa skracuje životnosť výrobku a zvyšuje sa riziko vzniku nehôd.
- Na vykonávanie všetkých servisných a opravných úkonov, najmä na bezpečnostných zariadeniach na výrobku, je potrebné špeciálne odborné vzdelanie. Ak po vykonaní údržby nie je možné úspešne vykonať všetky kontroly v tomto návode na obsluhu, požiadajte o pomoc servisného predajcu. Zaručujeme, pre tento výrobok sú k dispozícii profesionálne opravné a servisné služby.
- Používajte iba originálne náhradné diely.

Montáž

Úvod



VÝSTRAHA: Pred montážou výrobku si prečítajte kapitolu o bezpečnosti a uistite sa, že rozumiete informáciám, ktoré sa v nej uvádzajú.

1. Namontujte nabíjačku na stenu pomocou 2 skrutiek (A). V prípade potreby použite hmoždinky (B). (Obr. 27)
2. Namontujte 2 závitové uzávery (C).
3. Napájací kábel (D) pripojte do nabíjačky a do zásuvky.

Montáž dýzy

1. Priložte dýzu k prednej strane výrobku. (Obr. 26)
2. Potlačte dýzu, kým nezačujete cvaknutie.

Montáž nabíjačky 40-C80 na stenu



VAROVANIE: Na montáž nabíjačky na stenu nepoužívajte elektrický skrutkovač. Elektrický skrutkovač môže spôsobiť poškodenie nabíjačky.

Prevádzka

Úvod



VÝSTRAHA: Pred používaním výrobku si prečítajte kapitolu o bezpečnosti a uistite sa, že rozumiete informáciám, ktoré sa v nej uvádzajú.

o bezpečnosti a porozumieť informáciám, ktoré sa v nej uvádzajú. Okrem toho si musíte prečítať návod na obsluhu akumulátora a nabíjačky a porozumieť jeho obsahu.

Kontrola funkcií pred používaním výrobku

1. Skontrolujte, či sa v nasávaní vzduchu nenachádzajú žiadne nečistoty ani praskliny. Pomocou kefy očistite trávu a listy z výrobku. Pozrite si časť *Kontrola privodu vzduchu na strane 326*.
2. Skontrolujte, či výrobok funguje správne.
3. Skontrolujte všetky matice a skrutky a uistite sa, že sú pevne utiahnuté.

Akumulátor



VÝSTRAHA: Pred používaním akumulátora si musíte prečítať kapitolu

Akumulátor a nabíjačku udržiavajte pri správnej teplote okolia.

	Teplota okolitého prostredia
Prevádzka výrobku	-5 °C – 40 °C / 23 °F - 104 °F
Nabíjanie akumulátora	5 °C – 40 °C / 41 °F - 104 °F

LED indikátor akumulátora

Na displeji sa zobrazuje stav nabitia a prípadné problémy s akumulátorom. (Obr. 28)

Indikátor LED	Stav akumulátora (stav nabitia)
	40-B140
Svietia 4 diódy LED	Akumulátor je nabitý na 76 % – 100 %.
Svietia 3 diódy LED	Akumulátor je nabitý na 51 % – 75 %.
Svietia 2 diódy LED	Akumulátor je nabitý na 26 % – 50 %.
Svieti 1 dióda LED	Akumulátor je nabitý na 6 % – 25 %.
Bliká 1 dióda LED	Akumulátor je nabitý na 0 % – 5 %.

Nabíjanie akumulátora

Ak batériu používate prvýkrát, nabite ju. Nová batéria je nabitá iba na 30 %.



VAROVANIE: Nabíjačku akumulátora pripájajte k sieťovej zásuvke s napätím a frekvenciou uvedenými na výkonovom štítku.

Akumulátor sa nenabíja, pokiaľ je jej teplota vyššia než 50 °C (122 °F).

1. Pripojte napájací kábel k nabíjačke akumulátora.
2. Pripojte nabíjačku akumulátora k uzemnenej sieťovej zásuvke. Indikátor LED nabíjania raz zabliká. (Obr. 29)

3. Pripojte akumulátor k nabíjačke akumulátorov. Rozsvieti sa indikátor LED nabíjania. Akumulátor nabíjajte maximálne 24 hodín. (Obr. 30)
4. Stlačte tlačidlo indikátora batérie, ak sa všetky indikátory LED batérie rozsvetia, akumulátor je úplne nabitý.
5. Vytiahnutím zástrčky odpojte nabíjačku batérii z napájacej zásuvky. Neťahajte za napájací kábel.
6. Vyberte akumulátor z nabíjačky.

Pripojenie akumulátora k výrobku



VÝSTRAHA: Vo výrobku používajte iba odporúčaný akumulátor Husqvarna.

1. Uistite sa, že je akumulátor plne nabitý.

- Zatlačte akumulátor do držiaka akumulátora, kým sa neozve cvaknutie. Akumulátor sa musí pohybovať hladko. V opačnom prípade nie je nainštalovaný správne. (Obr. 31)

Zapnutie výrobku

- Stlačte štartovacie tlačidlo a podržte ho dovtedy, kým sa nerozsvieti zelený indikátor LED. (Obr. 32)
- Výrobok ovládate pomocou spúšťača.

Nastavenie optimálneho prúdenia vzduchu pre konkrétny úkon

- Stlačením tlačidla na reguláciu otáčok nastavte prúdenie vzduchu. Na výber sú 3 stupne prúdenia vzduchu. (Obr. 33)

Zastavenie výrobku

- Uvoľníte páčku vypínača.
- Stlačte a podržte vypínacie tlačidlo, kým zelený indikátor LED nezhasne.
- Stlačte uvoľňovacie tlačidlo a vytiahnite akumulátor. (Obr. 34)

Funkcia automatického vypnutia

Výrobok disponuje funkciou automatického vypnutia, ktorá výrobok vypne, ak sa nepoužíva. Zelený indikátor LED napájania sa vypne a výrobok sa po 3 minútach zastaví.

Údržba

Úvod



VÝSTRAHA: Pred vykonávaním akejkoľvek údržby si musíte prečítať kapitolu o bezpečnosti a porozumieť informáciám, ktoré sa v nej uvádzajú.

Plán údržby



VÝSTRAHA: Pred vykonaním údržby vyberte batérie.

Nasleduje zoznam postupov údržby, ktoré na výrobku musíte vykonávať.

Údržba	Denne	Týžd- enne	Mesačne
Výrobok čistíte čistou, suchou tkaninou. Nepoužívajte vodu.	X		
Skontrolujte, či sú rukoväte suché a čisté.	X		
Skontrolujte klávesnicu.	X		
Skontrolujte spúšťač.	X		
Skontrolujte, či sú matice a skrutky dotiahnuté.	X		
Skontrolujte, či batéria nie je poškodená.	X		
Skontrolujte nabitie batérie.	X		
Skontrolujte, či uvoľňovacie tlačidlá na batérii nie sú poškodené a riadne zaistujú batériu vo výrobku.	X		
Skontrolujte, či nabíjačka batérie nie je poškodená.	X		
Skontrolujte, či sú všetky spojky, spoje a lanká čisté a nie sú poškodené.		X	
Skontrolujte pripojenia na batérii, nabíjačke batérie a na výrobku.			X

Kontrola prívodu vzduchu

- Skontrolujte, či prívod vzduchu nie je zablokovaný. (Obr. 35)
- Ak je to potrebné, vypnite výrobok a odstráňte nežiadúci materiál.



VAROVANIE: Upchatím nasávania vzduchu sa znižuje kapacita fúkania výrobku a zvyšuje pracovná teplota motora. Keďže sa motor zahreje na príliš vysokú teplotu, môže to viesť k jeho poruche.

Kontrola batérie a nabíjačky batérií

1. Skontrolujte, či nie je batéria poškodená, napríklad prasknutá.
 2. Skontrolujte, či nie je nabíjačka batérií poškodená, napríklad prasknutá.
 3. Skontrolujte, či pripájací kábel nabíjačky batérie nie je poškodený a či na ňom nie sú praskliny.
2. Očistite batériu a nabíjačku batérií čistou handričkou. Vodiace dráhy batérie udržiajte čisté.
 3. Než vložíte batériu do nabíjačky alebo výrobku, skontrolujte, či sú koncovky na batérii a nabíjačke batérií čisté.

Čistenie výrobku, batérie a nabíjačky batérií

1. Výrobok po použití očistite suchou handričkou.

Riešenie problémov

Klávesnica

Obrazovka LED	Možné poruchy	Možné riešenia
Bliká červený chybový indikátor LED.	Teplotná odchýlka.	Nechajte výrobok vychladnúť.
	Nečistoty v konektoroch akumulátora alebo zablokovaný ventilátor.	Očistite vzduchovým kompresorom alebo mäkkou kefou.
	Akumulátor je vybitý.	Nabite akumulátor.
	Akumulátor je poškodený.	Obráťte sa na servisného zástupcu.

Akumulátor

Obrazovka LED	Možné poruchy	Možné riešenia
Bliká zelený indikátor LED.	Nízke napätie akumulátora.	Nabite akumulátor.
Bliká chybový indikátor LED.	Teplotná odchýlka.	Akumulátor používajte v prostredí, v ktorom sa teplota pohybuje v rozsahu -5 °C – 40 °C / 23 °F - 104 °F.
	Príliš vysoké napätie.	Skontrolujte, či sieťové napätie zodpovedá napätiu uvedenému na typovom štítku výrobku. Vyberte akumulátor z nabíjačky.
Svieti chybový indikátor LED.	V článkoch je príliš veľký rozdiel (1 V).	Obráťte sa na servisného predajcu.

Nabíjačka

Obrazovka LED	Možné poruchy	Možné riešenia
Indikátor LED nabíjania svieti načerveno.	Nabíjačka je poškodená.	Obráťte sa na servisného predajcu.
Indikátor LED nabíjania bliká nazeleno.	Teplota akumulátora sa nachádza mimo rozsahu pre nabíjanie.	Nechajte akumulátor vychladnúť alebo zahriať. Keď má akumulátor správnu teplotu, môžete ho znova použiť na nabíjanie. Nabíjačku používajte pri okolitej teplote v rozsahu 5 °C – 40 °C / 41 °F - 104 °F.
Indikátor LED nabíjania bliká načerveno.	Akumulátor je poškodený.	Obráťte sa na servisného predajcu.

Preprava, skladovanie a likvidácia

Preprava a uskladnenie

- Dodávané lítium-iónové akumulátory spĺňajú požiadavky právnych predpisov, ktoré sa týkajú nebezpečného tovaru.
- Dodržiavajte špeciálne požiadavky na balení a štítkoch pri obchodnej preprave. Táto požiadavka platí aj pre tretie strany a prepravcov.
- Pred odoslaním výrobku sa poraďte s osobou s osobitým vzdelaním v oblasti nebezpečných materiálov. Dodržiavajte všetky príslušné vnútroštátne právne predpisy.
- Odhalené kontakty zaistíte páskou pri vkladaní akumulátora do balenia. Akumulátor v balení pevne zabezpečte, aby sa nemohol posúvať.
- Pred skladovaním alebo prepravou akumulátor vyberte.
- Umiestnite akumulátor a nabíjačku do suchého priestoru bez výskytu vlhkosti a mrazov.
- Neskladujte akumulátor na mieste, kde sa môže vyskytovať statická elektrina. Akumulátor nekladajte do kovovej skrinky.
- Akumulátor uložte na mieste, kde sa teplota pohybuje v intervale 5°C / 41°F and 25°C / 77°F a kde je chránený pred priamym slnečným svetlom.
- Nabíjačku uložte na mieste, kde sa teplota pohybuje v intervale 5 °C/41 °F and 45°C/113°F a kde je chránená pred priamym slnečným svetlom.

- Nabíjačku používajte iba vtedy, keď je teplota okolitého prostredia v rozsahu 5 °C – 40 °C / 41 °F - 104 °F.
- Pred dlhodobým skladovaním akumulátor nabite na 30 – 50 % kapacity.
- Výrobok skladujte v prostredí s teplotou v rozmedzí -40 °C (-40°F) až 60 °C (140 °F)
- Nabíjačku uchovávajte na uzavretom a suchom mieste.
- Akumulátor skladujte mimo nabíjačky. Nedovoľte deťom ani iným nepovolaným osobám, aby sa dotýkali zariadenia. Uchovávajte zariadenia na mieste, ktoré je možné uzamknúť.
- Pred dlhodobým uskladnením výrobok vyčistite a vykonajte kompletný servis.
- Pred prepravou výrobok bezpečne upevnite.

Likvidácia batérie, nabíjačky batérií a výrobku

Symbols na výrobku alebo na obale výrobku označujú, že tento výrobok nepredstavuje komunálny odpad. Recyklujte ho v recyklačnej stanici určenej pre elektrické a elektronické zariadenia. Napomôže tým zamedziť vzniku poškodeniu životného prostredia a osôb.

Ďalšie informácie o recyklácii výrobku získate od miestnych úradov, služby na likvidáciu komunálneho odpadu alebo predajcu.

Technické údaje

Technické údaje

	1221B
Motor	

	122iB
Typ motora	PMDC
Hmotnosť	
Hmotnosť bez akumulátora, kg	1,9
Emisie hluku, úrovně hluku, ^{67 68}	
Nameraná hladina akustického výkonu, dB (A)	92,2
Zaručená úroveň hlučnosti L _{WA} dB(A)	93
Ekvivalentná hladina akustického tlaku pri uchu obsluhy meraná podľa noriem EN IEC 62841-4-6 a ISO 22868, dB (A):	82,8
Úrovně vibrácií ⁶⁹	
Hladiny vibrácií na rukovätiach, merané podľa normy EN IEC 62841-4-6, m/s ²	1,13
Výkon ventilátora	
Maximálny objemový prietok, m ³ /h	865
Maximálna teoretická rýchlosť, m/s	53
Sila fúkania, N	11

Údaje o hlučnosti a vibráciách vychádzajú z menovitých maximálnych otáčok.

Poznámka: Uvedená celková hodnota vibrácií a uvedené hodnoty emisií hluku boli namerané v súlade so štandardnou skúšobnou metódou a môžu sa použiť na porovnanie jedného nástroja s iným.

Poznámka: Uvedená celková hodnota vibrácií a uvedené hodnoty emisií hluku možno tiež použiť na predbežné posúdenie expozície.

Poznámka: Úroveň vibrácií a emisie hluku počas používania výrobku sa môže líšiť od uvedenej celkovej hodnoty v závislosti od spôsobu, akým sa výrobok používa. Je potrebné identifikovať bezpečnostné opatrenia na ochranu obsluhy na základe odhadu expozície v skutočných podmienkach používania. Do odhadu zahrňte všetky časti prevádzkového cyklu, ako napríklad časy, keď je produkt vypnutý a keď je na voľnobehu, ako aj čas, keď je spustený.

Schválené batérie pre výrobok

Akumulátor	40-B140
Typ	Lítium-iónová
Kapacita akumulátora, Ah	Pozrite si výkonový štítok batérie
Menovité napätie, V	36
Hmotnosť, kg/lb	1,25/2,76

⁶⁷ Emisie hluku do okolia merané ako akustický výkon (L_{WA}) v súlade s európskou smernicou 2000/14/ES majú typický štatistický rozptyl (štandardnú odchýlku) 1,0 dB (A).

⁶⁸ Uvádzané údaje pre ekvivalentnú hladinu akustického tlaku majú typický štatistický rozptyl (štandardnú odchýlku) 1,3 dB (A).

⁶⁹ Uvádzané údaje pre ekvivalentný stupeň vibrácií majú typický štatistický rozptyl (štandardnú odchýlku) 1,5 m/s².

Schválené nabíjačky akumulátorov

Nabíjačka	40-C80
Vstupné napätie, V	100 – 240
Frekvencia, Hz	50–60
Výkon, W	72
Výstupné napätie, V, DC/ampéry, A	43/1,6

Vyhlásenie o zhode

Vyhlásenie o zhode EÚ

My, spoločnosť **Husqvarna AB**, SE-561 82 Huskvarna, ŠVÉDSKO, tel.: +46-36-146500, vyhlasujeme s plnou zodpovednosťou, že výrobok:

Popis	Ručný akumulátorový fúkač
Značka	Husqvarna
Typ/model	122iB
Identifikácia	Výrobné čísla od roku 2025 a novšie

je v súlade s nasledujúcimi smernicami a nariadeniami EÚ v znení neskorších predpisov:

Nariadenie	Popis
2006/42/ES	„o strojových zariadeniach“
2014/30/EÚ	„o elektromagnetickej kompatibilite“
2011/65/EÚ	„o obmedzení používania určitých nebezpečných látok v elektrických a elektronických zariadeniach“
2000/14/ES	„týkajúca sa emisie hluku v prostredí pochádzajúceho zo zariadení používaných vo voľnom priestranstve“

a že sa pri ňom uplatňujú nasledujúce normy a technické špecifikácie: EN 62841-1:2015/A11:2022, EN IEC 62841-4-6:2024/A11:2024, EN IEC 63000:2018

EN IEC 55014-1:2021, EN IEC 55014-2:2021

V súlade s Prílohou V smernice 2000/14/ES pozri *Technické údaje na strane 328* pre deklarované hodnoty zvuku.

Huskvarna, 2025-11-03

Claes Losdal, manažér pre vývoj a výskum, Husqvarna AB

Zodpovedný za technickú dokumentáciu



VSEBINA

Uvod.....	332	Odpravlanje težav.....	341
Varnost.....	333	Transport skladiščenje in odstranitev.....	342
Montaža.....	338	Tehnični podatki.....	342
Delovanje.....	338	Izjava o skladnosti.....	344
Vzdrževanje.....	340		

Pregled izdelka

(Sl. 1)

1. Šoba pihalnika
2. Sprostite gumb za šobo pihalnika
3. Tipkovnica
4. Sprožilnik
5. Ročaj
6. Gumb za vklop/izklop
7. Indikator napajanja
8. Opozorilna lučka LED za napako
9. Gumb za nadzor hitrosti
10. Podpore
11. Indikatorski gumb stanja akumulatorja
12. Stanje akumulatorja
13. Opozorilni indikator za akumulator
14. Gumb za sprostitve akumulatorja
15. Akumulator
16. Indikator vklopa in opozoril
17. Priključek
18. Polnilnik akumulatorja 40-C80
19. Navodila za uporabo

Opis izdelka

Model pihalnika Husqvarna 122iB z elektromotorjem.

Namen uporabe

Ta izdelek je zanesljiv ročni pihalnik, ki je enostaven za uporabo ter namenjen vsem opravilom razpihovanja in splošnega čiščenja doma in na vrtu.

Simboli na izdelku

- (Sl. 2) OPOZORILO: Ta izdelek je lahko nevaren in lahko povzroči hude poškodbe oziroma smrt uporabnika ali drugih. Bodite previdni in uporabljajte izdelek pravilno.
- (Sl. 3) Pred uporabo tega izdelka morate pozorno prebrati navodila za uporabo ter jih razumeti.
- (Sl. 4) Uporabljajte odobreno zaščitno očii.
- (Sl. 5) OPOZORILO – Pazite na osebe.
- (Sl. 6) Izdelek ne sme biti izpostavljen dežju.
- (Sl. 7) Emisija hrupa v okolje je skladna z direktivami in uredbami EU ter zakonodajo Novega južnega Walesa, in sicer z direktivo "Zaščita okolja pri delu (nadzor

hrupa) iz 2017". Zajamčena raven zvočne moči izdelka, kot je določeno v *Tehnični podatki na strani 342* in na nalepki.

(Sl. 8)

Izdelek ali embalaža izdelka ne spadata med gospodinjske odpadke. Treba ga je reciklirati v zbirnem centru za reciklažo električne in elektronske opreme.

(Sl. 9)

Izdelek je skladen z veljavnimi direktivami ES.

(Sl. 10)

Nazivna napetost, V

(Sl. 11)

Enosmerni tok.

yyyy wwxxxx

Na tipski ploščici je navedena serijska številka. **yyyy** je proizvodno leto, **ww** je proizvodni teden, **xxxx** pa zaporedna številka.

Opomba: Ostali znaki in nalepke na izdelku se nanašajo na specifične certifikacijske zahteve, ki veljajo na nekaterih tržiščih.

Simboli na akumulatorju in/ali polnilniku akumulatorja

(Sl. 12)

Pretvornik za varno odpoved.

(Sl. 13)

Polnilnik akumulatorja hranite in uporabljajte samo v zaprtih prostorih.

(Sl. 14)

Dvojna izolacija.

(Sl. 15)

Izdelek je treba reciklirati v zbirnem centru za reciklažo električne in elektronske opreme. (Velja samo za Evropo)

Škoda izdelka

Za škodo na izdelku ne odgovarjamo, če:

- Izdelek ni pravilno popravljen.
- Izdelek je popravljen z deli, ki jih ni izdelal ali odobril proizvajalec.
- Na izdelku je nameščena dodatna oprema, ki je ni izdelal ali odobril proizvajalec.

- Izdelek ni bil popravljen v pooblaščenem servisnem centru ali pri pooblaščenem organu.

Drottninggatan 2, SE-561 82 Huskvarna

Proizvajalec

Huskvarna AB

Varnost

Varnostne definicije

Opozorila, svarila in opombe opozarjajo na posebje pomembne dele priročnika.



OPOZORILO: Se uporabi, če obstaja nevarnost telesne poškodbe ali smrti uporabnika ali opazovalcev ob neupoštevanju navodil v tem priročniku.



POZOR: Se uporabi, če obstaja nevarnost poškodbe izdelka, drugih materialov ali okolice ob neupoštevanju navodil v tem priročniku.

Opomba: Se uporabi za podajanje podrobnejših informacij, potrebnih v dani situaciji.

Splošni varnostni napotki za napravo



OPOZORILO: Preberite vsa varnostna opozorila, navodila, slike in specifikacije, dobavljene s tem strojem. Neupoštevanje vseh spodaj navedenih navodil lahko povzroči električni udar, požar in/ali težko telesno poškodbo.

Shranite vsa opozorila in navodila za bodočo uporabo.

Opomba: Izraz "stroj" v opozorilih se nanaša na (ožičen) stroj na omrežni pogon ali (brežžičen) stroj na akumulatorski pogon.

Varnost delovnega področja

- Poskrbite za čistočo in dobro osvetlitev delovnega področja. V prenatrpanih ali mračnih prostorih lahko hitro pride do nesreče.
- Stroja ne uporabljajte v eksplozijsko ogroženih okoljih, v katerih so prisotne gorljive tekočine, plini ali prah. Stroji sprožajo iskre, ki lahko vžgejo prah ali hlape.
- Med uporabo stroja se otroci ali opazovalci ne smejo zadrževati v bližini. Odvračanje pozornosti lahko povzroči izgubo nadzora.

Električna varnost

- Priključni vtič orodja mora biti primeren za vtičnico. Vtiča na noben način ne spreminjajte. Z

ozemljenim strojem ne uporabljajte adapterjev za vtič. Nepredelani vtiči in ustrezne vtičnice poskrbijo za zmanjšano nevarnost električnega udara.

- Izogibajte se telesnega stika z ozemljenimi površinami, kot so cevi, radiatorji, štedilniki in hladilniki. Če je vaše telo ozemljeno, se nevarnost električnega udara poveča.
- Orodja ne smejo biti izpostavljena dežju ali mokrim pogojem. Vlaga, ki vdre v stroj, povečuje nevarnost električnega udara.
- Ne ravnejte grobo s kablom. Kabla nikoli ne uporabljajte za prenašanje, vlečenje ali odklapanje stroja iz vtičnice. Kabel ne sme priti v stik z vročino toplote, oljem, ostrimi robovi ali premikajočimi deli. Poškodovani ali zavozlani kabli povečujejo nevarnost električnega udara.
- Če orodje uporabljate na prostem, uporabljajte samo podaljške, ki so primerni tudi za uporabo na prostem. Za zmanjšanje nevarnosti električnega udara uporabljajte kabel, primeren za zunanjo uporabo.
- Če se ne morete izogniti upravljanju orodja v vlažnem okolju, uporabite napajanje z zaščitno napravo na diferenčni tok (RCD). Uporaba naprave RCD zmanjšuje nevarnost električnega udara.

Osebna zaščita

- Bodite pozorni, pazite, kaj počnete, in pri delu z orodjem ravnajte razumno. Ne uporabljajte orodja, ko ste utrujeni ali pod vplivom drog, alkohola ali zdravil. Trenutek nepozornosti med uporabo stroja lahko povzroči hudo telesno poškodbo.
- Uporabljajte osebno zaščitno opremo. Vedno uporabljajte zaščito za oči. Zaščitna oprema, na primer prašna maska, čevlji z neдрсеčimi podplati, čelada ali zaščita za sluh, uporabljena v pravih okoliščinah, zmanjšuje nevarnost osebnih poškodb.
- Izogibajte se neželenemu zagonu. Pred prikloпом izdelka na vir napajanja ali namestitvijo baterije, dvigom ali prenašanjem se prepričajte, da je stikalo v položaju za izklop. Prenašanje strojev s prstom na stikalu ali priklop stroja z vklopljenim stikalom lahko povzroči nesrečo.
- Pred vklopom orodja, odstranite nastavitvena ključa ali izvijače. Če ostane ključ na vrtljivem delu stroja, lahko ta povzroči telesne poškodbe.
- Rok ne stegujte predaleč. Vedno zanesljivo stopajte in pazite na ravnotežje. To vam omogoča boljši nadzor nad strojem ob nepričakovanih dogodkih.
- Primerno se oblecite. Ne nosite ohlapnih oblačil in nakita. Z lasmi in oblačili ne segajte v območje

gibljevih delov. Ohlapne obleke, nakit ali dolgi lasje se lahko zapletejo v premične dele.

- Če so naprave opremljene s priključkom za odvajanje in zbiranje prahu, mora biti ta zaseden in pravilno uporabljen. Zbiranje prahu lahko zmanjša nevarnost zaradi vdihavanja tega.
- Kljub morebitni pogosti uporabi stroja bodite previdni in upoštevajte varnostna opozorila za stroja. Brezbržižna uporaba lahko v trenutku povzroči hudo telesno poškodbo.

Uporaba in ravnanje z orodjem

- Pri delu z napravo ne uporabljajte sile. Pri delu uporabljajte ustrezen stroj. Pravi stroj bo delo opravil bolje in varneje, če deluje pri hitrosti, za katero je bil zasnovan.
- Ne uporabljajte orodja s pokvarjenim stikalom za vklop in izklop. Stroj, ki ga ni mogoče upravljati s stikalom, je nevaren in ga je treba popraviti.
- Pred izvajanjem nastavitve, menjavo priključkov ali shranjevanjem orodja izvlčite vtič iz električne vtičnice in/ali odstranite akumulator iz orodja, če je to mogoče. Tovrstni preventivni ukrepi pomagajo zmanjšati nevarnost nenamerne vklopa stroja.
- Orodje, ki ga ne uporabljate, hranite zunaj dosega otrok. Ne dovolite, da bi orodje uporabljale osebe, ki niso seznanjene z njegovo uporabo ali niso prebrale teh navodil. Stroj je v rokah nepoučenih uporabnikov nevaren.
- Vzdržujte orodje in dodatno opremo. Preverite poravnavo ali zatikanje gibljivih delov. Prepričajte se, da noben del ni poškodovan, in preverite vsa druga stanja, ki bi lahko vplivala na delovanje orodja. Če je stroj poškodovan, ga pred uporabo odnesite v popravilo. Veliko nesreč povzročijo slabo vzdrževani stroji.
- Režila stroja naj bodo vedno ostra in čista. Pravilno vzdrževani stroji z ostrimi rezalnimi robovi se manj zatikajo in jih je lažje kontrolirati.
- Orodje, dodatno opremo, nastavke itd. uporabljajte v skladu s temi navodili. Pri tem upoštevajte delovne pogoje in delo, ki ga želite opraviti. Uporaba stroja za opravila, za katera ta stroj ni namenjen, je lahko nevarna.
- Ročaji in prijemalne površine naj bodo suhi, čisti in brez ostankov olja in masti. Če so ročaji in prijemalne površine spolzki, ne omogočajo varne uporabe in upravljanja stroja v nepričakovanih razmerah.

Uporaba in nega akumulatorskega stroja

- Baterijo polnite le s polnilnikom, ki ga določi proizvajalec. Polnilnik, ki je primeren za eno vrsto baterij, lahko poveča nevarnost požara pri drugih baterijah.
- V orodja vstavljajte samo posebej zasnovane akumulatorske baterije. Če uporabite druge baterije, se lahko poveča nevarnost poškodb in požara.

- Ko baterije ne uporabljate, ne sme priti v stik z drugimi kovinskimi predmeti, kot so sponke za papir, kovanci, ključji, žebliji, vijaki ali drugi majhni kovinski predmeti, ki lahko vzpostavijo povezavo med dvema poloma. Kratek stik med poloma baterije lahko povzroči opekline ali požar.
- Ob nepravilni in grobi uporabi lahko iz baterije izteka tekočina; izogibajte se stiku s tekočino. Če se tekočina nehote dotaknete, sperite roke z vodo. Če pride tekočina v stik z očmi, poiščite zdravniško pomoč. Tekočina, ki izteka iz baterije, lahko povzroči draženje ali opekline.
- Ne uporabljajte poškodovane ali spremenjene akumulatorske baterije ali akumulatorskega stroja. Poškodovani ali predelani akumulatorji se lahko obnašajo nepredvidljivo in lahko posledično zagorijo, eksplozirajo ali predstavljajo nevarnost poškodb.
- Akumulatorske baterije ali akumulatorskega stroja ne izpostavljajte ognju ali prekomernim temperaturam. Izpostavljenost ognju ali temperaturam nad 130 °C (265 °F) lahko povzroči eksplozijo.
- Upoštevajte vsa navodila za polnjenje in ne polnite akumulatorske baterije ali akumulatorskega stroja pri temperaturah zunaj temperaturnega območja, navedenega v navodilih. Neustrezna zamenjava ali temperature zunaj dovoljenega območja lahko povzročijo poškodbe baterije in povečajo nevarnost požara.

Servis

- Popravila stroja sme izvajati usposobljen serviser, pri tem pa mora uporabljati originalne nadomestne dele. S tem zagotovite ohranitev kakovosti in varnosti stroji.
- Ne servisirajte poškodovanih baterijskih enot. Baterijske pakete lahko servisirajo samo proizvajalec in pooblašeni servisni ponudniki.

Varnostna opozorila za vrtni pihalnik

- Vrtnega pihalnika ne uporabljajte v slabem vremenu, zlasti ko obstaja nevarnost bliskanja. S tem zmanjšate nevarnost udara strele.
- Uporabljajte zaščito za oči. Z ustreznou zaščitno opremo zmanjšate nevarnost telesnih poškodb.
- Med uporabo vrtnega pihalnika vedno nosite nedersečo zaščitno obutev. Vrtnega pihalnika ne uporabljajte bos ali v sandalnih. Tako zmanjšate nevarnost poškodb stopal.
- Ne nosite ohlapnih oblačil ali kosov, kot so šali, vrvice, veržice, kravate itd., ki jih lahko potegne v dovod zraka. Dolge lase spnite v čop ali jih pokrijte in tako poskrbite, da jih ne bo potegnilo v dovod zraka. Če karkoli od tega potegne v dovod zraka, se lahko poveča nevarnost telesnih poškodb.
- Poskrbite, da se mimoidoči ne približajo vrtnemu pihalniku med njegovo uporabo. Zaradi izmeta delcev se lahko poveča nevarnost telesnih poškodb.
- Šobe pihalnika nikoli ne usmerite proti ljudem, hišnim ljubljencem ali oknom. Posebej pozorni

bodite med izpihovanjem delcev v bližini trdnih predmetov, kot so drevesa, avtomobili in stene, saj se lahko delci odbijejo od njih. Izmet delcev lahko povzroči materialno škodo in poveča nevarnost telesnih poškodb.

- **Vrtnega pihalnika ne uporabljajte za izpihovanje gorečih predmetov ali predmetov, iz katerih se kadi, na primer cigaretnih ogorkov, vžigalic ali vročega pepela.** Ti viri vžiga lahko povečajo nevarnost požara.
- **Ne dotikajte se ventilatorja, ko se ta še premika. Izklopite vrtni pihalnik in počakajte, da se ventilator zaustavi, preden odstranite kateri koli del, ki bi vam lahko omogočil dostop do ventilatorja.** Tako zmanjšate tveganje telesnih poškodb zaradi gibljivih delov.
- **Pri odstranjevanju zagozdenega materiala ali servisiranju vrtnega pihalnika mora biti stikalo za vklop/izklop v izklopljenem položaju.** Nepričakovani zagon vrtnega pihalnika med odstranjevanjem zataknenega materiala ali med servisiranjem lahko privede do resnih telesnih poškodb.

Splošna varnostna navodila



OPOZORILO: Pred uporabo izdelka preberite navodila v povezavi z opozorili v nadaljevanju.

- Ta izdelek je lahko nevaren, če ga ne uporabljate pravilno ali če niste previdni. Če ne upoštevate varnostnih navodil, lahko nastopijo poškodbe ali celo smrt.
- Izdelek med delovanjem ustvarja elektromagnetno polje. To polje lahko v nekaterih pogojih interferira z aktivnimi ali pasivnimi medicinskimi vsadki. Emisije hrupa za oznako okolja v skladu z EU (vključno z zakonodajo avstralske zvezne države New South Wales) ter direktivami in uredbami Združenega kraljestva.
- Vedno bodite previdni in ravnajte razumno. Če niste prepričani, kako upravljati ta izdelek v določeni situaciji, prenehajte z delom in se pogovorite s prodajalcem Husqvarna.
- Ne pozabite, da je uporabnik odgovoren za nesreče, ki jih povzroči drugim ljudem ali njihovi lastnini.
- Izdelek redno čistite. Pozorno preberite znake in nalepke.
- Naprave ne smejo uporabljati otroci ali osebe, ki niso seznanjene z navodili. Lokalni predpisi lahko omejujejo starost uporabnika.
- Če izdelek uporabljajo osebe z zmanjšanimi fizičnimi ali intelektualnimi sposobnostmi, jih nenehno nadzorujte. Vedno mora biti prisotna odgovorna odrasla oseba.
- Izdelka ne uporabljajte, ko ste utrujeni, bolni, ali pod vplivom alkohola, drog ali zdravil. To negativno vpliva na vaš vid, pozornost, koordinacijo in presojo.

- Če izdelek ne deluje pravilno ali je okvarjen, ga ne uporabljajte.
- Izdelka ne spreminjajte ali uporabljajte, če obstaja možnost, da so ga spremenile tretje osebe.

Varnost pri delu



OPOZORILO: Pred uporabo izdelka preberite navodila v povezavi z opozorili v nadaljevanju.

- Uporabljajte osebno zaščitno opremo. Glejte, *Osebna zaščitna oprema na strani 336*.
- V zasilnem primeru morate znati motor hitro izklopiti.
- Izdelka ne uporabljajte dežju ali visoki vlagi. Nevarnost električnega udara se poveča, če v izdelek vdre voda.
- Vedno bodite za izdelkom, ko ga upravljate.
- Izdelka ne dvigajte, ko motor deluje. Če morate izdelek dvigniti, izklopite motor in odstranite baterijo.
- Med uporabo izdelka ne hodite vzvratno.
- Če morate izdelek nagniti zaradi prenašanja ali preden se premikate po območjih brez trave, na primer po poteh iz gramoza, kamna ali asfalta, izklopite motor.
- Pri delujočem motorju ne tecite z izdelkom. Pri uporabi tega izdelka vedno hodite.
- Tresljaji v izdelku med njegovim delovanjem se lahko razlikujejo od vrednosti treslajev, navedenih v razdelku *Tehnični podatki na strani 342*. Razlika je posledica različnih načinov uporabe izdelka. Če izdelek uporabljate pogosto ali dlje časa, delajte redne premore, da preprečite telesne poškodbe zaradi treslajev.

Varnostna navodila za uporabo



OPOZORILO: Pred uporabo izdelka preberite navodila v povezavi z opozorili v nadaljevanju.

- V primeru dvoma, ali je nadaljnja uporaba še primerna, se posvetujte s strokovnjakom. Obrnite se na svojega zastopnika ali servisno delavnico. Izogibajte se situacijam, ki se vam zdijo prezahtevne.
- Prepričajte se, da se lahko varno gibljete in stojite. Če se morate nepričakovano premakniti, preverite okolico za morebitne ovire (korenine, kamenje, veje, jarke, itd.). Pri delu na nagnjenih tleh bodite še posebej previdni.
- Ohranjajte stabilen položaj in čvrst korak. Rok ne stegujte predaleč.
- Bodite vedno pozorni na svarilne znake in klice, ko nosite zaščito za sluh. Zaščito za sluh odstranite takoj, ko se izdelek izklopi.
- Izdelka ne uporabljajte v bližini odprtih oken.

- Bodite uvidni do ljudi v svoji okolici in ne uporabljajte izdelka ob neprimernem času, na primer pozno zvečer ali zgodaj zjutraj. Upoštevajte lokalne predpise in odloke.
- Izdelek uporabljajte pri najmanjšem možnem pretoku zraka. Zelo redko boste morali uporabiti polni pretok zraka in veliko del lahko opravite s polovičnim pretokom zraka. Manjši pretok zraka pomeni tudi manj hrupa in prahu, hkrati pa omogoča tudi enostavnejši nadzor nad zbranimi/premaknjenimi odpadki.
- Pri prašnih razmerah ob uporabi izdelka nekoliko navlažite površino.
- Če želite odstraniti smeti, ki se držijo tal, uporabite grablje ali metlo.
- Držite odprtino pihalnika čim bližje tlom.
- Opazujte okolico. Usmerite pihalnik stran od ljudi, živali, igrišč, avtomobilov itd.
- Zmanjšajte čas pihanja tako, da rahlo navlažite prašna območja ali uporabljate opremo za pršenje.
- Pazite na smer vetra. Izdelek obrnite v smer vetra, saj bo delo tako lažje.
- Če se začne izdelek neobičajno tresti, ga izklopite in odstranite akumulator.
- Premikanje velikih kupov s pihalnikom traja dolgo časa in ustvarja nepotreben hrup.
- Po koncu pospravite za seboj. Pazite, da smeti ne odpihnete na sosedov vrt.
- Ne tekajte z izdelkom.
- Močni zračni tokovi lahko premikajo predmete s tako hitrostjo, da se ti lahko odbijejo in povzročijo hude poškodbe oči.

(Sl. 16)

- Ne usmerjajte zračnega toka proti ljudem ali živalim.
- Pred nameščanjem ali odstranjevanjem dodatne opreme ali drugih delov izklopite motor.
- Delov telesa ne približujte vročim površinam.
- Izdelka nikoli ne odlagajte na tla z delujočim motorjem, razen če ga imate neprekinjeno pod strogim nadzorom.
- Pihalnika ne smete uporabljati na lestvi ali gradbenem odru.

(Sl. 17)

- Nikoli ne uporabljajte izdelka, če v primeru nesreče ne morete priložiti pomoči.
- Pozor pred izmetom predmetov. Kamenje, odpadke ipd. lahko stroj vrže v oči, to pa lahko povzroči slepoto ali resne poškodbe.
- Za večjo varnost med polnjenjem izdelka uporabite napravo na diferenčni tok (RCI). Naprava na diferenčni tok se namesti za zaščito uporabnikov v primeru električne okvare.
- Izdelek je poznan po svojih nizkih vibracijskih obremenitvah. Pri ljudeh, ki imajo težave s krvnim obtokom, lahko pretirana izpostavljenost tresljam povzroči poškodbe ožilja ali živčevja. Če opazite znamenja pretirane izpostavljenosti tresljam, se

posvetujte z zdravnikom. Ti simptomi zajemajo otrplost, izgubo občutenja, ščemenje, zbadanje, bolečino, zmanjšano moč in spremembe barve ali stanja kože. Običajno se pojavijo v prstih, na rokah ali na zapestjih.

- Izdelek uporabljajte samo v skladu z namenom uporabe.
- Vseh možnih situacij ni mogoče predvideti. Pri delu s strojem bodite vedno previdni in prisebni. Izogibajte se situacijam, ki se vam zdijo prezahtevne. Če po branju teh navodil še vedno niste prepričani o delovnih postopkih, se pred nadaljevanjem posvetujte s strokovnjakom.
- Izdelek vedno držite z desno in levo roko. Izdelek držite ob boku.

(Sl. 18)

Osebna zaščitna oprema



OPOZORILO: Pred uporabo izdelka preberite navodila v povezavi z opozorili v nadaljevanju.

- Pri uporabi izdelka vedno uporabljajte odobreno osebno zaščitno opremo. Osebna zaščitna oprema ne more popolnoma preprečiti poškodb, vendar v primeru nesreče omili posledice. Prodajalec naj vam pomaga izbrati ustrezno opremo.
- Uporabljajte odobreno zaščito za sluh.

(Sl. 19)

- Uporabljajte odobreno zaščito oči. Tudi če uporabljate vizir, morate vedno uporabljati tudi homologirana zaščitna očala. Homologirana zaščitna očala morajo biti skladna s standardom ANSI Z87.1 za ZDA ali s standardom EN 166 za države EU.

(Sl. 20)

- Po potrebi uporabite rokavice.

(Sl. 21)

- Uporabljajte zaščitne škornje z ojačano konico in nestrsečim podplatom.

(Sl. 22)

- Uporabljajte oblačila iz trpežnih materialov. Vedno uporabljajte trpežne dolge hlače in dolge rokave. Ne uporabljajte ohlapnih oblačil, ki se lahko zataknejo za vejice ali veje. Ne nosite nakita, kratkih hlač ali sandalov. Ne hodite bos. Lase si varno spnite nad rameni.
- Paket prve pomoči hranite na dosegu roke.

(Sl. 23)

Varnostne naprave na izdelku



OPOZORILO: Pred uporabo izdelka preberite navodila v povezavi z opozorili v nadaljevanju.

- V tem poglavju so opisane varnostne funkcije izdelka, njihov namen ter kako je stroj treba pregledovati in vzdrževati, da bo deloval pravilno. Za mesta delov na izdelku si oglejte navodila v poglavju *Pregled izdelka na strani 332*.
- Življenjska doba izdelka se lahko zaradi nepravilnega vzdrževanja oziroma zaradi nestrokovnih popravil ali servisiranja skrajša, poveča pa se tudi nevarnost nesreč. Če potrebujete več informacij, se obrnite na najbližjega pooblaščenega servisnega trgovca.
- Nikoli ne uporabljajte izdelka s poškodovanimi varnostnimi deli. Varnostno opremo stroja je treba pregledovati in vzdrževati v skladu z navodili, ki so podana v tem poglavju. Če izdelek ob pregledu ne izpolnjuje vseh opisanih pogojev, se nemudoma obrnite na pooblaščenega serviserja za popravilo.
- Za vsa servisna dela in popravila na izdelku je treba opraviti posebno usposabljanje. To še posebej velja za varnostno opremo izdelka. Če pri spodaj opisanem pregledu ugotovite, da kateri koli del izdelka ne deluje tako, kot je opisano spodaj, se nemudoma obrnite na pooblaščen servisno delavnico. Pri nakupu vseh naših izdelkov vam jamčimo dostop do strokovnih popravil in servisa. Če izdelka niste kupili v kateri od naših pooblaščenih servisnih prodajaln, prodajalca vprašajte o najbližji pooblaščenih servisnih delavnicah.
- Akumulatorja ne izpostavljajte neposredni sončni svetlobi, vročini ali odprtemu ognju. Akumulator lahko povzroči opekline in/ali kemične opekline.
- Akumulatorja ne izpostavljate dežju in vlagi.
- Akumulatorja ne izpostavljajte mikrovalovom in visokemu tlaku.
- Akumulatorja ne poskušajte razstaviti ali odpreti.
- Kislina akumulatorja ne sme priti v stik s kožo. Kislina akumulatorja povzroči poškodbe kože, korozijo in opekline. Če pride kislina akumulatorja v oči, ne drgnite oči, temveč jih spirajte z vodo vsaj 15 minut. Če pride kislina akumulatorja v stik s kožo, očistite kožo z veliko količino vode in mila. Poiščite zdravniško pomoč.
- Akumulator uporabljajte v okolju s temperaturami med $-10\text{ }^{\circ}\text{C}$ ($14\text{ }^{\circ}\text{F}$) in $40\text{ }^{\circ}\text{C}$ ($104\text{ }^{\circ}\text{F}$).
- Akumulatorja ali polnilnika nikoli ne čistite z vodo. Glejte *Čiščenje izdelka, baterije in polnilnika baterije na strani 340*.
- Ne uporabljajte poškodovanega akumulatorja.
- Akumulatorji med skladiščenjem ne smejo priti v stik s kovinskimi predmeti, na primer žebli, vijaki ali nakitom.
- Akumulator hranite zunaj dosega otrok.

Varna uporaba polnilnika baterije



OPOZORILO: Pred uporabo izdelka preberite navodila v povezavi z opozorili v nadaljevanju.

Preverjanje tipkovnice

1. Pritisnite in pridržite gumb za VKLOP/IZKLOP (A), dokler indikator napajanja (B) ne zasveti. (Sl. 24)
2. Če sveti ali utripa opozorilni indikator (C), glejte *Odpravljanje težav na strani 341*.

Preverjanje delovanja sprožilnika

- Pritisnite in sprostite sprožilnik in tako preverite, ali se prosto premika. (Sl. 25)

Varna uporaba akumulatorja



OPOZORILO: Pred uporabo izdelka preberite navodila v povezavi z opozorili v nadaljevanju.

- Priporočeni akumulator je 40-B series. Akumulatorji so šifrirani s programsko opremo.
- Polnilni akumulator 40-B series kot vir napajanja uporabljajte samo za povezane izdelke Husqvarna. Za preprečevanje poškodb akumulatorja ne uporabljajte za napajanje drugih naprav.
- Nevarnost električnega udara. Poli akumulatorja ne smejo priti v stik s ključi, vijaki ali drugim kovinskimi deli. To lahko povzroči kratek stik akumulatorja.
- Ne uporabljajte akumulatorjev, ki jih ni mogoče polniti.
- V zračne reže akumulatorja ne vstavljajte predmetov.
- Nevarnost električnega udara ali kratkega stika, če ne upoštevate varnostnih navodil.
- Ne uporabljajte polnilnikov, ki niso bili priloženi izdelku. Za polnjenje serije nadomestnih baterij 40-B uporabljajte samo polnilnike 40-C80.
- Polnilnika baterije ne poskušajte razstaviti.
- Ne uporabljajte polnilnika, ki so poškodovani ali ne delujejo pravilno.
- Polnilnika akumulatorske baterije ne dvigujte za napajalni kabel. Polnilnik baterije odklopite iz stenske vtičnice tako, da povlečete vtič. Nikoli ne vlecite za napajalni kabel.
- Pazite, da kabli in kabelski podaljški ne pridejo v stik z vodo, oljem in ostrimi robovi. Kabel ne sme biti zataknjen med stavbno pohištvo, na primer vrata ali za ograje, ali podobne predmete.
- Polnilnika akumulatorske baterije ne uporabljajte v bližini gorljivih materialov ali materialov, ki povzročajo korozijo. Pazite, da polnilnik baterije ni pokrit. V primeru dima ali požara izvlecite vtič polnilnika baterije.
- Akumulatorsko baterijo polnite le v zaprtih prostorih z dobrim prezračevanjem in zaščito pred neposrednim soncem. Akumulatorske baterije ne polnite na prostem. Akumulatorske enote ne polnite v stiku z vodo ali vlago.
- Polnilnik baterije uporabljajte samo v okolju s temperaturami med $5\text{ }^{\circ}\text{C}$ ($41\text{ }^{\circ}\text{F}$) in $40\text{ }^{\circ}\text{C}$ ($104\text{ }^{\circ}\text{F}$).

Polnilnik uporabljajte v dobro prezračenem, suhem in brezprašnem okolju.

- V hladilne reže polnilnika baterije ne vstavljajte predmetov.
- Poli polnilnika akumulatorske baterije se ne smejo dotikati kovinskih predmetov, ker lahko to povzroči kratki stik.
- Uporabljajte nepoškodovane in odobrene omrežne vtičnice. Prepričajte se, da napajalni kabel polnilnika akumulatorske baterije ni poškodovan. V primeru uporabe podaljškov se prepričajte, da ti niso poškodovani.
- V baterijskem polnilniku ne polnite baterij za enkratno uporabo.

- Pred vzdrževanjem, drugimi pregledi ali sestavljanjem izdelka odstranite baterijo.
- Uporabnik sme sam izvajati le tista vzdrževalna in servisna dela, ki so navedena v teh navodilih za uporabo. Za obsežnejša vzdrževalna in servisna dela se obrnite na servisnega zastopnika.
- Baterije ali polnilnika nikoli ne čistite z vodo. Močno čistilo lahko poškoduje plastiko.
- Če ne vzdržujete izdelka, skrajšate njegovo življenjsko dobo in povečate nevarnost nesreč.
- Za servisiranje in popravila izdelka, zlasti za varnostne naprave na izdelku, je potrebno posebno usposabljanje. Če po izvedenem vzdrževanju niso vsa preverjanja uspešno opravljena, se obrnite na servisnega zastopnika. Zagotavljamo vam, da so za vaš izdelek na voljo strokovna popravila in servisne storitve.
- Uporabljajte samo originalne nadomestne dele.

Varnostna navodila za vzdrževanje



OPOZORILO: Pred vzdrževanjem izdelka preberite naslednja opozorilna navodila.

Montaža

Uvod



OPOZORILO: Preden začnete sestavljati izdelek, morate prebrati in razumeti poglavje o varnosti.

Namestitev šobe

1. Šobo namestite na sprednji del izdelka. (Sl. 26)
2. Šobo potisnite, dokler ne zaslišite klika.

Namestitev polnilnika akumulatorja (40-C80) na steno



POZOR: Pri namestitvi polnilnika akumulatorja na steno ne uporabljajte električnih vijačnikov. Električni vijačniki lahko poškodujejo polnilnik akumulatorja.

1. Z 2 vijakoma (A) na steno pritrdite polnilnik akumulatorja. Po potrebi uporabite stensko vtičnico (B). (Sl. 27)
2. Pritrdite 2 čepa za odprtine za vijake (C).
3. Napajalni kabel (D) polnilnika akumulatorja priključite v električno vtičnico.

Delovanje

Uvod



OPOZORILO: Preden začnete uporabljati izdelek, morate prebrati in razumeti poglavje o varnosti.

Preverjanje delovanja pred uporabo izdelka

1. Preverite, ali je odprtina za vhod zraka umazana ali razpokana. S krtačo odstranite travo in listje z izdelka. Glejte *Preverjanje dovoda zraka na strani 340*.
2. Poskrbite, da izdelek deluje pravilno.
3. Preverite vse matice in vijake ter poskrbite, da so priviti.

Akumulator



OPOZORILO: Pred uporabo akumulatorja morate prebrati in razumeti poglavje o varnosti. Prebrati in razumeti morate tudi navodila za uporabo, ki so priložena akumulatorju in polnilniku.

Akumulator in polnilnik akumulatorja shranjujte v prostoru z ustrežno temperaturo.

	Temperatura okolice
Delovanje izdelka	-5 °C – 40 °C / 23 °F - 104 °F

Indikator LED	Stanje akumulatorja (napolnjenost)
	40-B140
Svetijo 4 indikatorji LED	Akumulator je napolnjen med 76 in 100 %.
Svetijo 3 indikatorji LED	Akumulator je napolnjen med 51 in 75 %.
Svetijo 2 indikatorji LED	Akumulator je napolnjen med 26 in 50 %.
Sveti 1 indikator LED	Akumulator je napolnjen med 6 in 25 %.
1 indikator LED utripa	Akumulator je napolnjen med 0 in 5 %.

Polnjenje akumulatorja

Baterijo pred prvo uporabo napolnite. Nova baterija je napolnjena samo 30-odstotno.



POZOR: Baterijski polnilnik priklopite na vtičnico z napetostjo in frekvenco, ki sta navedeni na tipski ploščici.

Če temperatura baterije presega 50 °C/122 °F, se baterija ne bo polnila.

1. Napajalni kabel priključite na polnilnik akumulatorske baterije.
2. Priključite baterijski polnilnik v ozemljeno vtičnico. Indikator LED za polnjenje enkrat utripne. (Sl. 29)
3. Baterijo priključite na baterijski polnilnik. Zasveti indikator polnjenja. Akumulator polnite največ 24 ur. (Sl. 30)
4. Pritisnite gumb stanja baterije. Baterija je popolnoma napolnjena, če zasvetijo vsi indikatorji.
5. Izvlecite napajalni priključek, da odklopite baterijski polnilnik iz električne vtičnice. Nikoli ne vlecite za napajalni kabel.
6. Akumulator odstranite iz polnilnika.

	Temperatura okolice
Polnjenje akumulatorja	5 °C – 40 °C / 41 °F - 104 °F

Indikator LED za akumulator

Na zaslonu je prikazana napolnjenost akumulatorja in podatki o morebitnih težavah z akumulatorjem. (Sl. 28)

Vstavev akumulatorje v izdelek



OPOZORILO: Izdelek uporabljajte samo s priporočenim akumulatorjem Husqvarna.

1. Akumulator mora biti popolnoma napolnjen.
2. Akumulator potisnite v držalo akumulatorja, da se zaskoči. Akumulator se mora zlahka premikati. V nasprotnem primeru ni pravilno nameščen. (Sl. 31)

Zagon izdelka

1. Pritisnite in pridržite gumb za vklop, dokler ne zasveti zelena lučka LED. (Sl. 32)
2. Izdelek upravljajte s sprožilnikom plina.

Nastavitev optimalnega pretoka zraka za delo

- Pretok zraka nastavljate z gumbom za nadzor hitrosti. Na voljo so 3 nastavitve pretoka zraka. (Sl. 33)

Zaustavitev izdelka

1. Sprostite vklopni sprožilnik.
2. Držite gumb za napajanje, dokler se zelena indikatorska lučka ne izklopi.
3. Pritisnite gumb za sprostitev in izvlecite akumulator. (Sl. 34)

Funkcija samodejnega izklopa

Izdelek ima funkcijo samodejnega izklopa, ki ga zaustavi, če se ta ne uporablja. Zeleni indikator LED

za napajanje preneha svetiti in izdelek se po 3 minutah zaustavi.

Vzdrževanje

Uvod



OPOZORILO: Pred izvajanjem vzdrževalnih del morate prebrati in razumeti poglavje o varnosti.

Urniki vzdrževanja



OPOZORILO: Pred vzdrževanjem odstranite baterijo.

V nadaljevanju je naveden seznam vzdrževalnih korakov, ki jih je treba opraviti pri izdelku.

Vzdrževanje	Dnevno	Teden- sko	Mesečno
Izdelek čistite s čisto in suho krpo. Ne uporabljajte vode.	X		
Poskrbite, da so ročaji suhi in čisti.	X		
Preverite tipkovnico.	X		
Preverjanje delovanja sprožilnika plina.	X		
Prepričajte se, da so matice in vijaki dobro priviti.	X		
Baterija ne sme biti poškodovana.	X		
Preverite napolnjenost baterije.	X		
Prepričajte se, da gumba za sprostitvev na bateriji nista poškodovana in in omo- gočata pravilen zaklep baterije v izdelek.	X		
Prepričajte se, da polnilnik baterije ni poškodovan.	X		
Prepričajte se, da so vse spojke, priključki in kabli čisti in da niso poškodovani.		X	
Preverite priključke na bateriji, polnilniku baterij in na izdelku.			X

Preverjanje dovoda zraka

1. Prepričajte se, da pri dovodu zraka ni blokade. (Sl. 35)
2. Zaustavite izdelek in po potrebi odstranite neželen material.



POZOR: Blokiran dovod zraka zmanjšuje pihalno kapaciteto izdelka ter viša delovno temperaturo motorja. To lahko povzroči okvaro motorja zaradi pretiranega segrevanja.

2. Preverite, ali je polnilnik baterije poškodovan, na primer razpokan.
3. Prepričajte se, da povezovalni kabel polnilnika baterije ni poškodovan in nima razpok.

Čiščenje izdelka, baterije in polnilnika baterije

1. Izdelek po uporabi očistite s suho krpo.
2. Baterijo in polnilnik baterije očistite s suho krpo. Vodila baterije morajo biti vedno čista.
3. Poli na bateriji in polnilniku baterije morajo biti čisti, ko vstavite baterijo v polnilnik ali izdelek.

Pregled baterije in polnilnika baterije

1. Preverite, ali je baterija poškodovana, na primer razpokana.

Odpravljanje težav

Tipkovnica

Zaslon LED	Možne napake	Možne rešitve
Rdeči indikator LED za napako utripa.	Odstopanje temperature.	Izdelek naj se ohladi.
	Umazanija v priključkih akumulatorja ali zamašen ventilator.	Očistite s stisnjenim zrakom ali mehko krtačko.
	Akumulator je prazen.	Napolnite akumulator.
	Akumulator je poškodovan.	Obrnite se na servisno delavnico.

Akumulator

Zaslon LED	Možne napake	Možne rešitve
Zelena lučka LED utripa.	Nizka napetost akumulatorja.	Napolnite akumulator.
Lučka LED za napako utripa.	Odstopanje temperature.	Akumulator uporabljajte pri temperaturah -5 °C – 40 °C / 23 °F - 104 °F.
	Previsoka napetost.	Omrežna napetost mora biti skladna z vrednostjo na tipski ploščici na izdelku. Akumulator odstranite iz polnilnika.
Lučka LED za napako sveti.	Prevelika razlika med celicami (1 V).	Obrnite se na servisnega zastopnika.

Polnilnik akumulatorja

Zaslon LED	Možne napake	Možne rešitve
Indikator LED za polnjenje neprekinjeno sveti rdeče.	Polnilnik akumulatorja je poškodovan.	Obrnite se na servisnega zastopnika.
Indikator LED za polnjenje utripa zeleno.	Temperatura akumulatorja je zunaj dovoljenega območja polnjenja.	Počakajte, da se akumulator ohladi ali ogreje. Ko bo temperatura akumulatorja ustrezna, jo lahko spet uporabljate ali polnite. Polnilnik akumulatorja uporabljajte v prostorih s temperaturo okolice med 5 °C – 40 °C / 41 °F - 104 °F.
Indikator LED za polnjenje utripa rdeče.	Akumulator je poškodovan.	Obrnite se na servisnega zastopnika.

Transport skladiščenje in odstranitev

Prevoz in skladiščenje

- Priloženi litij-ionski akumulatorji so skladni z zahtevami zakonodaje o nevarnem blagu.
- Pri transportu, tudi če ga izvaja tretja oseba ali posrednik, je treba upoštevati posebna navodila na embalaži in nalepkah.
- Pred pošiljanjem izdelka se posvetujte z osebo, ki je posebej usposobljena za nevarne snovi. Upoštevajte vse veljavne nacionalne predpise.
- Ob vstavljanju akumulatorja v paket prelepite izpostavljene kontakte. Akumulator vstavite v paket tako, da se ne more premikati.
- Pri skladiščenju ali prevozu vedno odstranite akumulator.
- Akumulator in polnilnik akumulatorja hranite v suhem prostoru, kjer ni vlage in zmrzali.
- Akumulatorja ne shranjujte v prostoru, v katerem je lahko prisotna statična električna. Akumulatorja ne shranjujte v kovinski škattli.
- Akumulator shranite v prostor s temperaturami med 5°C / 41°F and 25°C / 77°F tako, da ne bo izpostavljen neposredni sončni svetlobi.
- Polnilnik akumulatorja shranite v prostoru s temperaturami med 5 °C/41 °F and 45°C/113°F tako, da ne bo izpostavljen neposredni sončni svetlobi.
- Polnilnik akumulatorja uporabljajte samo v okolju s temperaturami med 5 °C – 40 °C / 41 °F - 104 °F.

- Pred dolgotrajnejšim skladiščenjem mora biti akumulator napolnjen med 30 % in 50 %.
- Izdelek hranite v okolju s temperaturami med – 40 °C/–40 °F in +60 °C/140 °F.
- Polnilnik akumulatorja shranite v zaprtem in suhem prostoru.
- Med shranjevanjem akumulator ne sme biti v bližini polnilnika. Otroci in druge nepooblašene osebe se ne smejo dotikati opreme. Oprema mora biti shranjena v prostoru, ki ga je mogoče zakleniti.
- Pred dolgotrajnejšim skladiščenjem izdelek očistite in opravite popoln servis.
- Med prevozom varno pritrdite izdelek.

Odstranitev baterije, polnilnika baterije in izdelka

Simboli na izdelku ali njegovi embalaži opozarjajo, da izdelka ne smete obravnavati kot gospodinjstvega odpadka. Treba ga je reciklirati v zbirnem centru za reciklažo električne in elektronske opreme. Tako se pomaga preprečiti škodovanje okolju in ogrožanje zdravja ljudi.

Za več informacij o recikliranju svojega izdelka se obrnite na lokalne oblasti, službo za gospodinjstve odpadke ali prodajalca.

Tehnični podatki

Tehnični podatki

	122IB
Motor	
Tip motorja	PMDC
Teža	
Teža brez akumulatorja v kg	1,9
Emisije hrupa, ravni hrupa ^{70 71}	
Raven zvočne moči, izmerjena v dB (A)	92,2
Raven zvočne moči, zajamčena L _{WA} v dB(A)	93
Ekvivalentna raven zvočnega tlaka pri uporabnikovem ušesu, izmerjena v skladu s standardoma EN IEC 62841-4-6 in ISO 22868, dB (A):	82,8

⁷⁰ Emisije hrupa v okolje, izmerjene kot zvočna moč (L_{WA}) v skladu z direktivo ES 2000/14/ES imajo tipično statistično razpršitev (standardni odklon) v vrednosti 1,0 dB (A).

⁷¹ Podatki za ekvivalentno raven zvočnega tlaka za stroj imajo tipično statistično razpršitev (standardni odklon) v vrednosti 1,3 dB (A).

	122IB
Ravni vibracij ⁷²	
Ravni vibracij pri ročajih, izmerjene v skladu s standardom EN IEC 62841-4-6, m/s ²	1,13
Zmogljivost ventilatorja	
Najvišji volumetrični pretok, m ³ /h	865
Najvišja teoretična hitrost, m/s	53
Moč pihanja v N	11

Hrup in podatki o vibracijah so določeni na podlagi nazivne najvišje hitrosti.

Opomba: Navedena skupna vrednost vibracij in navedene ravni hrupa so bile izmerjene v skladu s standardnim načinom preizkušanja in jih lahko uporabljate za medsebojno primerjavo orodij.

Opomba: Navedeno skupno vrednost vibracij in navedene ravni hrupa lahko uporabljate tudi pri predhodni oceni izpostavljenosti.

Opomba: Emisije tresljajev in hrupa med dejansko uporabo izdelka se lahko razlikujejo od navedene skupne vrednosti, kar je odvisno od načina uporabe izdelka. Treba je opredeliti varnostne ukrepe za zaščito upravljavca, na podlagi ocene izpostavljenosti v dejanskih pogojih uporabe. V oceno vključite vse dele delovnega cikla, kot so čas, ko je izdelek izklopljen, čas delovanja v prostem teku in čas pritisnjene sprožilca.

Odobreni akumulatorji za izdelek

Akumulator	40-B140
Vrsta	Litij-ionska
Zmogljivost akumulatorja v Ah	Oglejte si nalepko s podatki o zmogljivosti akumulatorja
Nazivna napetost, V	36
Teža, kg/lb	1,25/2,76

Odobreni polnilniki za akumulatorje

Polnilnik akumulatorja	40-C80
Vhodna napetost, V	100–240
Frekvenca, Hz	50–60
Moč, W	72
Izhodna napetost, V DC/amperi, A	43/1,6

⁷² Zabeleženi podatki za raven vibracij imajo tipično statistično razpršitev (standardni odklon) 1,5 m/s².

Izjava o skladnosti

Izjava EU o skladnosti

Mi, **Husqvarna AB**, SE--561 82 Huskvarna, ŠVEDSKA,
tel: +46-36-146500, izjavljamo na lastno odgovornost,
da je izdelek:

Opis	Ročni akumulatorski pihalnik
Znamka	Husqvarna
Vrsta/model	122iB
Identifikacija	Serijske številke od letnika 2025 dalje

v skladu z naslednjimi direktivami in uredbami EU, kot
so bile spremenjene:

Uredba	Opis
2006/42/ES	"o strojih"
2014/30/EU	"o elektromagnetni združljivosti"
2011/65/EU	"o omejevanju uporabe nekaterih nevarnih snovi v električni in elektronski opremi"
2000/14/ES	"o emisijah hrupa v okolico"

in so pri tem v veljavi naslednji standardi in/ali
tehnične specifikacije: EN 62841-1:2015/A11:2022, EN
IEC 62841-4-6:2024/A11:2024, EN IEC 63000:2018
EN IEC 55014-1:2021, EN IEC 55014-2:2021

V skladu z direktivo 2000/14/ES, prilogo V, za navedene
ravni zvoka glejte poglavje *Tehnični podatki na strani*
342.

Huskvarna, 2025-11-03

Claes Losdal, Vodja oddelka za raziskave in razvoj,
Husqvarna AB

Odgovorni za tehnično dokumentacijo



Sadržaj

Uvod.....	345	Rešavanje problema.....	354
Bezbednost.....	346	Transport, skladištenje i odlaganje.....	355
Sklapanje.....	351	Tehnički podaci.....	355
Rukovanje.....	351	Deklaracija o usaglašenosti.....	357
Održavanje.....	353		

Pregled proizvoda

(Sl. 1)

1. Mlaznica duvača
2. Dugme za otpuštanje mlaznice duvača
3. Tastatura
4. Obarač gasa
5. Ručka
6. Dugme za uključivanje/isključivanje
7. Indikator napajanja
8. Indikator upozorenja LED greške
9. Dugme za upravljanje brzinom
10. Nosači
11. Dugme indikatora baterije
12. Status baterije
13. Indikator upozorenja baterije
14. Dugme za otpuštanje baterije
15. Baterija
16. Indikator napajanja i upozorenja
17. Priključak
18. Punjač baterije 40-C80
19. Korisničko uputstvo

(kontrola buke) Novog Južnog Velsa iz 2017. Garantovani nivo zvučne snage za ovaj proizvod naveden je u odeljku *Tehnički podaci na stranici 355* i na nalepnici.

(Sl. 8)

Ovaj proizvod ili pakovanje ne treba tretirati kao kućni otpad. Reciklirajte ga na lokaciji za recikliranje električne i elektronske opreme.

(Sl. 9)

Proizvod je usaglašen sa važećim direktivama EU.

(Sl. 10)

Nominalni napon, V

(Sl. 11)

Jednosmerna struja.

gggg nxxxxx

Pločica tipa prikazuje serijski broj. **gggg** je godina proizvodnje, **nn** je nedelja proizvodnje, a **xxxx** je redni broj.

Opis proizvoda

Husqvarna 122iB je model duvača sa elektromotorom.

Namena

Ovaj proizvod je pouzdani ručni duvač lišća lak za korišćenje i služi za svako razduvanje i opšte zadatke čišćenja oko kuće i u dvorištu.

Simboli na proizvodu

- (Sl. 2) UPOZORENJE: Ovaj proizvod može biti opasan i prouzrokovati teške povrede ili smrt rukovaoca ili drugih osoba. Budite pažljivi i koristite proizvod na pravilan način.
- (Sl. 3) Pre korišćenja proizvoda pažljivo pročitajte korisničko uputstvo i budite sigurni da ste ga razumeli.
- (Sl. 4) Koristite odobrenu zaštitu za oči.
- (Sl. 5) UPOZORENJE – udaljite druga lica.
- (Sl. 6) Nemojte izlagati kiši.
- (Sl. 7) Oznaka emisije buke u okruženju je u skladu sa direktivama i propisima EU i propisom o zaštiti radova u okruženju

Napomena: Ostali simboli/nalepnice koji su navedeni na proizvodu važe za specifične zahteve sertifikata na određenim tržištima.

Simboli na bateriji i/ili punjaču baterije

- (Sl. 12) Sigurnosni transformator.
- (Sl. 13) Koristite i čuvajte punjač baterije samo u zatvorenom prostoru.
- (Sl. 14) Dvostruka izolacija.
- (Sl. 15) Reciklirajte ovaj proizvod u pogonu za recikliranje električne i elektronske opreme. (Odnosi se samo na Evropu)

Oštećenje proizvoda

Nismo odgovorni za oštećenja proizvoda u sledećim slučajevima:

- proizvod je popravljen na pogrešan način
- proizvod je popravljen korišćenjem delova koji nisu napravljeni ili odobreni od strane proizvođača
- proizvod ima opremu koja ne potiče ili nije odobrena od strane proizvođača

- proizvod nije popravljen u ovlašćenom servisnom centru ili od strane ovlašćenog stručnjaka

Drottninggatan 2, SE-561 82 Huskvarna

Proizvođač

Husqvarna AB

Bezbednost

Bezbednosne definicije

Upozorenja, mere opreza i napomene se koriste da ukažu na naročito važne delove korisničkog uputstva.



UPOZORENJE: Koristi se ako, usled nepoštovanja uputstava, postoji rizik od nastanka telesnih povreda ili smrti kod rukovaoca ili prisutnih osoba.



OPREZ: Koristi se ako, usled nepoštovanja uputstava, postoji rizik od nastanka oštećenja na proizvodu, drugim materijalima ili susednim oblastima.

Napomena: Koristi se za pružanje više informacija koje su neophodne u datoj situaciji.

Opšte bezbednosne napomene za mašine



UPOZORENJE: Pročitajte sva bezbednosna upozorenja, uputstva, ilustracije i specifikacije koje su obezbeđene uz ovu mašinu. *Nepridržavanje svih uputstava navedenih u nastavku može da dovede do strujnog udara, požara i/ili teških telesnih povreda.*

Sačuvajte sve bezbednosne napomene i instrukcije za kasnije.

Napomena: *Pojam „mašina“ koji se koristi u bezbednosnim napomenama odnosi se na mašinu koji se napaja sa strujne mreže (putem kabla) ili onu koji radi na baterijski pogon (bez kabla).*

Bezbednost u radnoj oblasti

- Držite radnu oblast čistom i dobro osvetljenom. U neurednim ili mračnim oblastima nezgode se češće dešavaju.
- Nemojte da koristite mašinu u oblastima u kojima postoji opasnost od eksplozije odnosno u onim oblastima u kojima su prisutne zapaljive tečnosti, gasovi ili prašina. Mašine mogu varničenjem da zapale prašinu ili isparenja.
- Pobrinite se da se tokom upotrebe mašine deca i druge osobe nalaze na bezbednoj udaljenosti.

Odvlačenje pažnje može dovesti do gubitka kontrole nad uređajem.

Električna bezbednost

- **Utikač za priključenje elektroalata u struju mora da odgovara utičnici. Nikad nemojte ni na koji način da modifikujete utikač. Nemojte da koristite adaptere pri radu sa uzemljenim mašinama.** Nemodifikovani utikači i odgovarajuće utičnice smanjuju rizik od strujnog udara.
- **Izbegavajte telesni kontakt sa uzemljenim površinama kao što su cevi, radijatori, šporeti i frižideri.** Ako vam je telo uzemljeno, postoji povišeni rizik od strujnog udara.
- **Elektroalate nemojte izlagati kiši ili vlazi.** Ako voda prodre u mašinu, povećaće se opasnost od strujnog udara.
- **Nemojte nepropisno da postupate sa kablom. Ne koristite kabl za nošenje, vuču ili isključivanje proizvoda. Držite kabl dalje od izvora toplote, ulja, oštrih ivica i pokretnih delova.** Oštećeni ili upleteni kabl povećava rizik od strujnog udara.
- **Kad elektroalatom radite na otvorenom koristite samo produžne kablove koji su prikladni i za rad na otvorenom.** Korišćenje kabla koji je pogodan za upotrebu na otvorenom smanjuje rizik od strujnog udara.
- **Ako ne može da se izbegne korišćenje proizvoda na vlažnom mestu, koristite napajanje preko zaštitnog uređaja diferencijalne struje (RCD).** Upotreba RCD-a smanjuje rizik od strujnog udara.

Lična bezbednost

- **Budite koncentrisani, pazite na ono što radite i ponašajte se oprezno kada radite elektroalatom. Elektroalat ne koristite ako ste umorni ili pod uticajem droga, alkohola ili lekova.** Trenutak nepažnje prilikom korišćenja mašine može da dovede do teških telesnih povreda.
- **Koristite ličnu zaštitnu opremu. Uvek nosite zaštitu za oči.** Zaštitna oprema poput zaštitne maske od prašine, sigurnosnih neklizajućih cipela, kacige ili zaštitne za sluh koja se koristi u odgovarajućim uslovima smanjuje telesne povrede.
- **Sprečite slučajno pokretanje. Pobrinite se da je prekidač u isključenom položaju (OFF) pre priključivanja na izvor napajanja i/ili bateriju, podizanja ili nošenja alata.** Nošenje mašine sa prstom na prekidaču ili napajanje mašine sa prekidačem u položaju za uključivanje može da dovede do nezgode.

- **Pre nego što uključite elektroalat, uklonite alate za podešavanje uređaja i ključeve za odvijanje.** Alat ili ključ, ako se nađu u rotirajućem delu mašine, mogu izazvati povrede.
- **Nemojte se preterano naginjati. Uvek budite oslonjeni na obe noge i pazite na ravnotežu.** To će vam omogućiti bolju kontrolu nad mašinom u nepredviđenim situacijama.
- **Budite propisno odeveni. Nemojte nositi široku odeću niti nakit. Vodite računa da vam kosa i odeva ne dođu u dodir sa pokretnim delovima.** Pokretni delovi uređaja mogu da zahvate delove široke odeće, nakit ili dugu kosu.
- **Ukoliko su obezbeđeni uređaji za povezivanje aparata za izbacivanje ili sakupljanje prašine, proverite da li su povezani i da li se pravilno koriste.** Korišćenjem usisivača za prašinu smanjuje se opasnost od oštećenja koja mogu nastati zbog delovanja prašine.
- **Nemojte dozvoliti da vam iskustvo koje ste stekli kroz čestu upotrebu mašine stvori osećaj samopouzdanja i da se ne pridržavate principa u vezi sa bezbednošću.** Nemarno rukovanje može u trenutku dovesti do teških povreda.

Upotreba mašine i briga o njoj

- **Ne preopterećujte mašinu. Koristite mašinu koja odgovara nameni.** Adekvatna mašina će bolje i sigurnije obaviti posao u meri za koju je napravljena.
- **Ne koristite mašinu ako je prekidač ne uključuje ili ne isključuje.** Svaka mašina koja se ne može kontrolisati prekidačem predstavlja opasnost i mora da se popravi.
- **Svaka mašina koja se ne može kontrolisati prekidačem predstavlja opasnost i mora da se popravi.** Ove mere predostrožnosti sprečavaju nehотиčno pokretanje mašine.
- **Mašine koje ne koristite čuvajte van domašaja dece. Osobama koje nisu upoznate sa načinom upotrebe ili koje nisu pročitale ovo uputstvo nemojte da dozvolite da koriste mašinu.** Mašine su opasni ako ih koriste neiskusne osobe.
- **Održavajte mašine i dodatnu opremu. Proverite da li su pokretni delovi poravnati i pričvršćeni, da li postoje pukotine na delovima i sva druga stanja koja mogu uticati na rad mašine. Ukoliko je oštećena, mašinu odnesite na popravku pre korišćenja.** Mnoge nezgode su prouzrokovale loše održavane mašine.
- **Održavajte mašine za sečenje ostrim i čistim.** Mašine za sečenje koje se pravilno održavaju i imaju oštre rezne vrhove se ređe krive i lakše kontrolišu.
- **Koristite mašinu, dodatnu opremu, nastavke itd. u skladu sa ovim uputstvima, uzimajući u obzir radne uslove i posao koji treba da se obavi.** Korišćenje mašine za operacije za koje nije namenjena može da dovede do opasnih situacija.
- **Pobrinete se da ručke i rukohvati budu čisti i bez tragova ulja ili masti.** Klizave ručke i prihvatne površine ne dozvoljavaju bezbedno rukovanje i kontrolu nad mašinom u neočekivanim situacijama.

Upotreba i održavanje baterijske mašine

- **Punite samo punjačem koji je naznačen od strane proizvođača.** Punjač koji je odgovarajući za jedan tip baterije može stvoriti rizik od požara kada se koristi sa drugom baterijom.
- **Koristite samo punjive baterije koje su predviđene za mašine.** Korišćenje drugih baterija može stvoriti rizik od telesne povrede i požara.
- **Kad se baterija ne koristi držite je dalje od metalnih predmeta, kao što su spajalice, novčići, ključevi, ekseri, zavrtnji ili slični mali metalni predmeti koji mogu da naprave spoj između polova baterije.** Kratko spajanje polova baterije može da izazove opekotine ili požar.
- **U opasnim uslovima, tečnost može da prsne iz baterije; izbegavajte kontakt. Ako do kontakta slučajno dođe, isperite to mesto vodom. Ako tečnost dođe u kontakt sa očima, dodatno potražite lekarsku pomoć.** Tečnost koja prsne iz baterije može da prouzrokuje iritaciju ili opekotine.
- **Nemojte koristiti baterije ili mašinu koji su oštećeni ili izmenjeni.** Oštećeni ili modifikovani akumulatori mogu biti nepredvidivi što može dovesti do vatre, eksplozije i rizika od povrede.
- **Baterije ili mašinu nemojte da izlažete vatri ili previsokoj temperaturi.** Izlaganje vatri ili temperaturi iznad 130 °C / 265 °F može dovesti do eksplozije.
- **Pridržavajte se svih uputstava za punjenje i nemojte da punite bateriju ili mašinu izvan opsega temperature koji je naveden u uputstvima.** Nepravilno punjenje ili temperature izvan navedenog opsega mogu oštetiti bateriju i povećati rizik od požara.

Servis

- **Popravke mašine prepustite kvalifikovanom stručnom osoblju uz primenu isključivo originalnih rezervnih delova.** Na taj način ćete da osigurate da se održi trajna sigurnost mašine.
- **Nikad ne servisirajte oštećene baterije.** Servisiranje baterije treba da vrši samo proizvođač ili ovlašćeni serviseri.

Bezbednosna upozorenja za duvač lišća

- **Nemojte koristiti duvač lišća po lošim vremenskim uslovima, naročito kada postoji opasnost od grmljavine.** Time se smanjuje rizik od udara грома.
- **Nosite zaštitu za oči.** Adekvatna zaštitna oprema će smanjiti rizik od telesne povrede.
- **Dok rukujete duvačem lišća, uvek nosite neklizajuću i zaštitnu obuću. Ne rukujte duvačem lišća bos ili u otvorenim sandalama.** Time se smanjuje rizik od povrede stopala.
- **Nemojte nositi široku odeću ili odevne predmete kao što su šalovi, trake, lančići, kravate i sl., jer mogu biti uvučeni u ulaze za vazduh. Zavežite ili pokrijte dugu kosu kako ne bi bila uvučena u otvore za**

vazduh. Ako bilo šta od ovog bude uvučeno u ulaze za vazduh, može doći do ozbiljnih povreda.

- **Neka prisutne osobe budu udaljene dok rukujete duvačem lišća.** Bačeni otpaci mogu povećati rizik od telesne povrede.
- **Nikada nemojte okretati mlaznicu duvača u pravcu ljudi ili životinja ili u pravcu prozora. Koristite dodatni oprez kada razduvavate otpatke u blizini čvrstih objekata, kao što je drveće, automobili ili zidovi, jer može doći do odbijanja otpadaka.** Odbačeni objekti mogu izazvati štetu na imovini i povećati rizik od povrede.
- **Nemojte koristiti duvač lišća da biste razduvavali ništa što gori ili se dimi, kao što su cigarete, šibice ili vruć pepeo.** Ovi izvori zapaljenja mogu povećati rizik od požara.
- **Nemojte dodirivati ventilator dok je u pokretu. Isključite duvač lišća i sačekajte da se ventilator zaustavi pre nego što uklonite bilo koji deo koji može osloboditi pristup ventilatoru.** Time se smanjuje rizik od povrede pokretnim delovima.
- **Kada čistite zaglavljene materijale ili servisirate duvač lišća, uverite se da je napajanje isključeno.** Neočekivano pokretanje duvača lišća prilikom uklanjanja zaglavljene materijale ili servisiranja može dovesti do teških telesnih povreda.

Opšta bezbednosna uputstva



UPOZORENJE: Pročitajte upozoravajuća uputstva koja slede pre korišćenja proizvoda.

- Proizvod je opasan ako se koristi na nepravilan način ili ako niste oprezni. Može doći do telesne povrede ili smrti ako se ne pridržavate bezbednosnih uputstava.
- Ovaj proizvod pri radu stvara elektromagnetno polje. Ovo polje u određenim uslovima može da izazove smetnje na aktivnim i pasivnim medicinskim implantatima. U cilju smanjenja rizika od uslova nastanka teških ili smrtonosnih telesnih povreda, preporučujemo osobama koje imaju medicinske implantate da se pre upotrebe ovog proizvoda konsultuju sa lekarom i proizvođačem medicinskog implantata.
- Uvek budite pažljivi i koristite zdrav razum. Ako niste sigurni kako da rukujete proizvodom u određenoj situaciji, prekinite rad i obratite se Husqvarna prodavcu pre nastavka rada.
- Imajte na umu da će se rukovaalac smatrati odgovornim za nesrećne slučajeve koji uključuju druge osobe ili njihovu imovinu.
- Održavajte proizvod čistim. Pobrinite se da jasno možete pročitati znakove i nalepnice.
- Nikada nemojte dozvoliti deci ili osobama koje nisu pročitale ova uputstva da koriste uređaj. Uzrast rukovaoca je možda ograničen lokalnim propisima.

- Uvek nadzirite osobu sa smanjenim fizičkim ili mentalnim sposobnostima koja koristi proizvod. Odgovorna odrasla osoba mora biti prisutna sve vreme.
- Nemojte koristiti proizvod kada ste umorni, bolesni ili pod uticajem alkohola, droge ili lekova. To negativno utiče na vaš vid, opreznost, koordinaciju i rasuđivanje.
- Nemojte koristiti proizvod ako je oštećen ili neispravan.
- Nemojte vršiti izmene na proizvodu i nemojte koristiti proizvod ako postoji mogućnost da su druge osobe vršile izmene na njemu.

Bezbednost na radu



UPOZORENJE: Pročitajte upozoravajuća uputstva koja slede pre korišćenja proizvoda.

- Koristite ličnu zaštitnu opremu. Pogledajte *Lična zaštitna oprema na stranici 349.*
- Naučite kako da brzo zaustavite motor u slučaju opasnosti.
- Nemojte raditi sa proizvodom po kiši ili u vlažnim uslovima. Opasnost od strujnog udara se povećava ako voda prodre u proizvod.
- Uvek stojte iza proizvoda kada radite sa njim.
- Nikada nemojte podizati proizvod kada je motor pokrenut. Ako morate podići proizvod, zaustavite motor i odvojte bateriju.
- Nemojte hodati unazad kada radite sa proizvodom.
- Zaustavite motor ako treba nagnuti ili preneti proizvod ili preko područja bez trave, na primer, stazica napravljenih od šljunka, kamena i asfalta.
- Nemojte trčati sa proizvodom kada je motor pokrenut. Uvek hodajte kada radite sa proizvodom.
- Vibracije u proizvodu tokom njegovog rada mogu da se razlikuju od vrednosti koje su navedene u odeljku *Tehnički podaci na stranici 355.* Odstupanje izazivaju razlike u načinu korišćenja proizvoda. Ako proizvod koristite često ili dugo, redovno pauzirajte da biste sprečili nastanak povreda od vibracija.

Bezbednosna uputstva za rukovanje



UPOZORENJE: Pročitajte upozoravajuća uputstva koja slede pre korišćenja proizvoda.

- Ukoliko dođete u situaciju da se osećate nesigurnim u pogledu dalje upotrebe, treba da se obratite za savet stručnom licu. Obratite se prodavcu ili servisu. Izbegavajte sve upotrebe ako mislite da prevazilaze vaše sposobnosti.
- Uverite se da možete da se krećete i stojte bezbedno. Proverite da u okolini nema mogućih prepreka (korenja, gromada kamena, granja, jaraka itd.) na koje biste naišli ako morate da napravite

iznenadan pokret. Obratite posebnu pažnju pri radu na nagnutom terenu.

- Održavajte ravnotežu i čvrst oslonac za stopala sve vreme. Nemojte se preterano naginjati.
- Uvek budite oprezni u zapažanju signala upozorenja ili povika kada koristite zaštitne slušalice. Uvek skinite zaštitne slušalice odmah nakon zaustavljanja proizvoda.
- Ne koristite proizvod blizu otvorenih prozora.
- Pokažite obzir prema licima u svom okruženju izbegavanjem korišćenja proizvoda u neprikladno vreme, npr. kasno noću ili rano ujutro. Poštujte lokalne propise i uredbe.
- Proizvod koristite s najmanjim mogućim mlazom vazduha. Retko je potrebno da se koristi pun mlaz vazduha, a mnogi poslovi mogu da se obave s pola mlaza vazduha. Slabijim mlazom vazduha se proizvodi manje buke i manje prašine, a lakše je i održavati kontrolu nad materijalom koji se prikuplja/premešta.
- U prašnjavim uslovima treba blago navlažiti površinu kad koristite proizvod.
- Koristite grablje ili četku kako biste oslobodili materijal zalepljen za tlo.
- Otvor duvača držite što je moguće bliže tlu.
- Vodite računa o svom okruženju. Usmerite proizvod dalje od ljudi, životinja, oblasti za igru, automobila itd.
- Smanjite vreme duvanja na najmanju meru tako što ćete malo nakvasiti prašnja područja ili koristiti prskalicu.
- Pazite na smer vetra. Radite uz vetar kako bi vam bilo lakše.
- Zaustavite proizvod i uklonite akumulator ako počne da nenormalno vibrira.
- Korišćenje duvača za pomeranje velikih gomila materijala traži puno vremena i stvara nepotrebnu buku.
- Očistite delove nakon rada. Pazite da ne oduvate smeće u tuđu baštu.
- Nemojte trčati dok držite proizvod.
- Snažne struje vazduha mogu da pomeraju predmete takvom brzinom da se odbiju nazad i izazovu teške povrede očiju.

(Sl. 16)

- Ne usmeravajte mlaz vazduha prema ljudima ili životinjama.
- Zaustavite motor pre postavljanja ili uklanjanja dodatne opreme ili drugih delova.
- Držite sve delove tela dalje od vrućih površina.
- Ne ostavljajte nikad proizvod koji i dalje radi, a da pri tome nemate nadzor nad njim.
- Duvač se ne sme koristiti dok ste na merdevinama ili skeli.

(Sl. 17)

- Međutim, nemojte koristiti proizvod ako niste u mogućnosti da pozovete u pomoć u slučaju nezgode.
- Upozorenje zbog izbačenih predmeta. Mašina može odbaciti kamenje ili smeće u vaše oči i izazvati slepilo ili ozbiljne povrede.
- Koristite uređaj diferencijalne struje (RCI) za veću bezbednost pri punjenju proizvoda. Uređaj za preostali napon se postavlja radi zaštite rukovaoca u slučaju da dođe do problema sa električnim naponom.
- Ovaj proizvod je poznat po malom vibracijskom opterećenju. Preterano izlaganje vibracijama može da ošteti krvotok ili pak da ošteti nerve kod ljudi koji imaju problema sa krvotokom. Obratite se lekaru ako imate simptome preterane izloženosti vibracijama. Ovi simptomi uključuju utrnulost, gubitak osećaja, trnce, bockanje, bol, gubitak snage, promene u boji ili stanju kože. Simptomi se obično pojavljuju u prstima, rukama i zglobovima.
- Proizvod koristite isključivo u svrhe za koje je namenjen.
- Nije moguće obuhvatiti sve situacije s kojima se možete suočiti. Uvek budite pažljivi i koristite zdrav razum. Izbegavajte sve situacije za koje smatrate da nisu u okviru vaših sposobnosti. Ako nakon čitanja ovog uputstva i dalje imate nedoumice u vezi s radnim postupcima, pre nastavka rada obratite se stručnjaku.
- Uvek držite proizvod levom/desnom rukom. Držite proizvod sa strane tela.

(Sl. 18)

Lična zaštitna oprema



UPOZORENJE: Pročitajte upozoravajuća uputstva koja slede pre korišćenja proizvoda.

- Uvek koristite odobrenu ličnu zaštitnu opremu kada koristite proizvod. Lična zaštitna oprema ne može da u potpunosti spreči telesnu povredu, ali ona umanjuje stepen telesne povrede ako dođe do nesrećnog slučaja. Neka vam vaš prodavac pomogne u izboru odgovarajuće opreme.
- Koristite odobrenu zaštitu za sluh.
- (Sl. 19)
- Koristite odobrenu zaštitu za oči. Prilikom korišćenja vizira istovremeno se moraju koristiti odobrene zaštitne naočare. Odobrene zaštitne naočare moraju ispunjavati standard ANSI Z87.1 u SAD ili EN 166 u zemljama Evropske unije.

(Sl. 20)

- Koristite rukavice kada je to neophodno.

(Sl. 21)

- Nosite čizme sa čeličnim štitnicima za prste i neklizajućim donovima.

(Sl. 22)

- Nosite odeću napravljenu od jake tkanine. Uvek nosite debele, dugačke pantalone i dugačke rukave. Nemojte nositi široku odeću koja može da se zakači o grančice ili grane. Nemojte nositi nakit, kratke pantalone ili sandale. Nemojte hodati bosonogi. Sklonite kosu tako da vam bude iznad ramena.
- Držite komplet za prvu pomoć pri ruci.

(Sl. 23)

Bezbednosni uređaji na proizvodu



UPOZORENJE: Pročitajte upozoravajuća uputstva koja slede pre korišćenja proizvoda.

- U ovom odeljku je objašnjena bezbednosna oprema proizvoda, njena svrha, te način kako treba obaviti provere i održavanje da bi se osigurao ispravan rad. Takođe pogledajte uputstva pod naslovom *Pregled proizvoda na stranici 345* kako biste saznali gde se navedeni delovi nalaze na vašem proizvodu.
- Vek trajanja proizvoda se može skratiti, a rizik od nastupanja nesreća povećati ako se održavanje proizvoda ne vrši na pravi način i ako se servisiranje ili popravljanje ne vrše stručno. Ako su vam potrebne dodatne informacije, kontaktirajte najbliži ovlašćeni servis.
- Nikada ne upotrebljavajte proizvod sa neispravnim delovima bezbednosne opreme. Bezbednosna oprema za proizvod mora da se pregleda i održava kako je opisano u ovom odeljku. Ako proizvod ne zadovolji bilo koju od tih provera, obratite se ovlašćenom servisu radi popravke.
- Potrebna je posebna obuka za servisiranje i popravku proizvoda. Ovo se posebno odnosi na bezbednosnu opremu proizvoda. Ako proizvod ne zadovolji bilo koju od dole opisanih provera, obratite se svom servisnom agentu. Za bilo koji proizvod kupljen od nas garantujemo raspoloživost profesionalne popravke i servisiranja. Ako radnik u maloprodaji koji je prodao mašinu nije serviser, zatražite od njega adresu najbližeg servisnog agenta.

Provera tastature

1. Pritisnite i zadržite dugme ON/OFF (uključivanje/ isključivanje) dok ne zasvetli indikator napajanja (B). (Sl. 24)
2. Pogledajte odeljak *Rešavanje problema na stranici 354* ako indikator upozorenja (C) zasvetli ili zatreperi.

Provera obarača gasa

- Pritisnite i otpustite obarač gasa da biste se uverili da se slobodno pomera. (Sl. 25)

Bezbedna upotreba baterije



UPOZORENJE: Pročitajte upozoravajuća uputstva koja slede pre korišćenja proizvoda.

- Preporučena baterija je 40-B series. Baterije su softverski kodirane.
- Koristite 40-B series punjivu bateriju kao izvor napajanja samo za odgovarajuće Husqvarna proizvode. Kako bi se sprečila telesna povreda, nemojte koristiti bateriju kao izvor napajanja za druge uređaje.
- Opasnost od strujnog udara. Nemojte povezivati terminale baterije na ključeve, zavrtne i druge metalne predmete. To može dovesti do kratkog spoja baterije.
- Ne koristite baterije za jednokratnu upotrebu.
- Nemojte stavljati predmete u proreze za vazduh baterije.
- Držite bateriju tako da ne bude izložen sunčevoj svetlosti, toploti ili otvorenom plamenu. Baterija može da izazove opekotine i/ili hemijske opekotine.
- Držite bateriju tako da ne bude izložena kiši i vlažnim uslovima.
- Držite bateriju dalje od mikrotalasnih pećnica i visokog pritiska.
- Nemojte pokušavati da rastavite ili lomite bateriju.
- Ne dozvolite da vam kiselina iz baterije dodirne kožu. Kiselina iz baterije izaziva povrede kože, koroziju i opekotine. Ako vam kiselina iz baterije dospe u oči, ne trljajte ih, već ih ispirajte vodom najmanje 15 minuta. Ako vam kiselina iz baterije dotakne kožu, operite je velikom količinom vode sa sapunom. Obratite se doktoru.
- Koristite bateriju na temperaturama između -10 °C (14 °F) i 40 °C (104 °F).
- Nemojte čistiti bateriju ili punjač baterija vodom. Pogledajte *Čišćenje proizvoda, akumulatora i punjača akumulatora na stranici 353*.
- Nemojte koristiti oštećenu bateriju.
- Držite baterije uskladištene tako da budu udaljene od metalnih predmeta kao što su ekseri, vijci ili nakit.
- Držite bateriju van domašaja dece.

Bezbedna upotreba punjača baterije



UPOZORENJE: Pročitajte upozoravajuća uputstva koja slede pre korišćenja proizvoda.

- Opasnost od strujnog udara ili kratkog spoja ako se ne poštuju bezbednosne mere.
- Ne koristite druge punjače baterije osim onog namenjenog za proizvod. Koristite samo 40-C80 punjače kad punitе zamenske baterije iz serije 40-B.
- Nemojte pokušavati da rasklopite punjač baterije.

- Nemojte koristiti punjač baterije koji je oštećen ili neispravan.
- Nemojte podizati punjač baterije za kabl za napajanje. Da biste iskopčali punjač baterije sa mrežne utičnice, povucite utikač. Ne vucite kabl za napajanje.
- Držite sve kablove i produžne kablove dalje od vode, ulja i oštih ivica. Uverite se da kabl nije prikliješten između predmeta, npr. vratima, ogradom ili drugo.
- Nemojte koristiti punjač baterije u blizini zapaljivih materijala ili materijala koji mogu da izazovu koroziju. Uverite se da punjač baterija nije pokriven. Izvucite utikač kabla iz punjača baterije ako se pojave dim ili vatra.
- Baterije puniti samo u zatvorenom prostoru u prostoriji sa dobrom ventilacijom i podalje od sunčeve svetlosti. Nemojte puniti bateriju na otvorenom. Nemojte puniti bateriju u vlažnim uslovima.
- Koristite punjač baterije samo na temperaturama između 5 °C (41 °F) i 40 °C (104 °F). Punjač koristite u okruženju koje je dobro provetreno, suvo i bez prašine.
- Nemojte stavljati predmete u proreze za hlađenje punjača baterije.
- Nemojte povezivati terminale punjača na metalne predmete jer to može dovesti do kratkog spoja.
- Koristite odobrene i neoštećene utičnice za strujnu mrežu. Uverite se da kabl punjača baterije nije

oštećen. Ako koristite produžni kabl, uverite se da nije oštećen.

- Nemojte puniti baterije koje se ne pune u punjačima baterije.

Bezbednosna uputstva za održavanje



UPOZORENJE: Pročitajte upozoravajuća uputstva koja slede pre održavanja proizvoda.

- Uklonite bateriju pre održavanja, provere i sklapanja proizvoda.
- Rukovalac sme da vrši samo održavanje i servisiranje opisano u priručniku za rukovaoca. Obratite se serviseru radi održavanja i servisiranja većih dodataka.
- Nemojte čistiti akumulator ili punjač akumulatora vodom. Jak deterdžent može da ošteti plastiku.
- Neodržavanje smanjuje radni vek proizvoda i povećava rizik od nezgoda.
- Za poslove servisiranja i popravke potrebna je posebna obuka, naročito kad je reč o bezbednosnim uređajima na proizvodu. Ako posle odobravanja uređaj ne prođe sve provere opisane u korisničkom uputstvu, obratite se serviseru. Garantujemo da su za vaš proizvod dostupne profesionalne popravke i servisiranje.
- Koristite samo originalne rezervne delove.

Sklapanje

Uvod



UPOZORENJE: Pre sklapanja proizvoda je potrebno da pročitate i razumete poglavlje o bezbednosti.

Da biste postavili mlaznicu

1. Stavite mlaznicu preko prednjeg kraja proizvoda. (Sl. 26)
2. Gurajte mlaznicu dok ne čujete klik.

Postavljanje punjača baterije 40-C80 na zid



OPREZ: Ne koristite električni šrafciger za postavljanje punjača baterije na zid. Električni šrafciger može da ošteti punjač baterija.

1. Prikačite punjač baterije za zid pomoću dva zavrtnja (A). Po potrebi koristite tiplove (B). (Sl. 27)
2. Postavite dva tipla za zavrtnje (C).
3. Povežite kabl za napajanje (D) punjača baterije sa mrežnom utičnicom.

Rukovanje

Uvod



UPOZORENJE: Pre korišćenja proizvoda je potrebno da pročitate i razumete poglavlje o bezbednosti.

Pre korišćenja proizvoda izvršite proveru funkcija

1. Pregledajte da li na usisniku vazduha ima prljavštine ili pukotina. Koristite četku i očistite travu i lišće sa proizvoda. Pogledajte *Da biste proverili ulaz vazduha na stranici 353.*
2. Uverite se da proizvod radi pravilno.

3. Proverite sve navrtke i zavrtnje i uverite se da su zategnute.

Baterija



UPOZORENJE: Pre korišćenja akumulatora, morate pročitati i razumeti poglavlje o bezbednosti. Takođe morate pročitati i razumeti korisničko uputstvo za akumulator i punjač akumulatora.

Akumulator i punjač akumulatora čuvajte na odgovarajućoj temperaturi.

	Temperatura sredine
Rad proizvoda	-5 °C – 40 °C / 23 °F - 104 °F
Punjenje akumulatora	5 °C – 40 °C / 41 °F - 104 °F

LED indikator baterije

Displej prikazuje status punjenja i da li postoje problemi u vezi sa baterijom. (Sl. 28)

LED indikator	Status baterije (status napunjenosti)
	40-B140
4 LED lampice su uključene	Baterija je 76% – 100% napunjena.
3 LED lampice su uključene	Baterija je 51% – 75% napunjena.
2 LED lampice su uključene	Baterija je 26% – 50% napunjena.
1 LED lampica je uključena	Baterija je 6% – 25% napunjena.
1 LED lampica trepće	Baterija je 0% – 5% napunjena.

Punjenje baterije

Napunite bateriju ako je to prvi put da se koristi. Nov akumulator je napunjen samo 30%.



OPREZ: Povežite punjač baterije na strujnu utičnicu čiji su napon i frekvencija naznačeni na pločici tipa.

Baterija se neće puniti ako je temperatura baterije veća od 50 °C / 122 °F.

1. Povežite kabl za napajanje sa punjačem akumulatora.
2. Povežite punjač baterije na strujnu utičnicu. LED lampica punjenja trepće jedanput. (Sl. 29)
3. Stavite bateriju na punjač baterije. LED lampica punjenja se uključuje. Puniti bateriju najviše 24 sata. (Sl. 30)
4. Pritisnite dume indikatora baterije, ako se svi LED indikatori upale, baterija je potpuno napunjena.
5. Povucite strujni utikač da biste isključili punjač baterije sa strujne utičnice. Ne vucite kabl za napajanje.
6. Izvadite bateriju iz punjača baterije.

Da biste povezali bateriju na proizvod



UPOZORENJE: Koristite samo preporučenu Husqvarnabateriju za proizvod.

1. Uverite se da je baterija napunjena do kraja.
2. Ugurajte bateriju u nosač baterije dok ne čujete klik. Baterija mora lako da uđe. Ako nije tako, nije pravilno postavljena. (Sl. 31)

Pokretanje proizvoda

1. Pritisnite i držite dugme za pokretanje dok ne zasvetli zeleni LED. (Sl. 32)
2. Koristite obarač gasa za kontrolu brzine.

Podešavanje optimalnog protoka vazduha za rad

- Pritisnite dugme za izbor brzine da biste podesili protok vazduha. Protok vazduha ima 3 koraka. (Sl. 33)

Zaustavljanje proizvoda

1. Otpustite obarač gasa.
2. Pritisnite i zadržite dugme napajanja dok se zeleni LED indikator ne ugasi.
3. Pritisnite dugme za otpuštanje i izvadite bateriju. (Sl. 34)

Funkcija automatskog isključivanja

Proizvod poseduje funkciju automatskog isključivanja koja ga isključuje kad se ne koristi. Zeleni LED indikator napajanja se isključuje i proizvod se zaustavlja nakon 3 minuta.

Održavanje

Uvod



UPOZORENJE: Pre održavanja morate pročitati i razumeti poglavlje o bezbednosti.

Šema održavanja



UPOZORENJE: Skinite bateriju pre održavanja.

Sledi lista koraka održavanja koje treba izvršiti na proizvodu.

Održavanje	Dnevno	Nedeljno	Mesečno
Očistite proizvod čistom i suvom krpom. Ne koristite vodu.	X		
Uverite se da su ručke suve i čiste.	X		
Proverite tastaturu.	X		
Proverite obarač gasa.	X		
Proverite da li su navrtke i zavrtnji pričvršćeni.	X		
Uverite se da baterija nije oštećena.	X		
Proverite napunjenost baterije.	X		
Uverite se da dugmad za otpuštanje na bateriji ispravno radi i da zaključava bateriju na proizvod.	X		
Uverite se da punjač baterije nije oštećen.	X		
Uverite se da su sve spojnice, veze i kablovi čisti i da nisu oštećeni.		X	
Proverite kontakte na bateriji, na punjaču baterije i na proizvodu.			X

Da biste proverili ulaz vazduha

1. Uverite se da na usisniku vazduha nema blokade. (Sl. 35)
2. Zaustavite proizvod i uklonite neželjeni materijal, ako je potrebno.



OPREZ: Blokirani usisnik vazduha smanjuje kapacitet duvanja proizvoda i povećava radnu temperaturu motora. Ovo može da dovede do kvara motora usled pregrevanja.

Pregled akumulatora i punjača akumulatora

1. Pregledajte da li je akumulator oštećen, npr. naprsao.

2. Pregledajte da li je punjač akumulatora oštećen, npr. naprsao.
3. Proverite da kabl za napajanje punjača akumulatora nije oštećen i da na njemu ne postoje naprsline.

Čišćenje proizvoda, akumulatora i punjača akumulatora

1. Proizvod čistite nakon upotrebe pomoću suve krpe.
2. Za čišćenje akumulatora i punjača akumulatora koristite suhu krpu. Održavajte vodice baterija čistim.
3. Uverite se da su polovi na akumulatoru i punjaču akumulatora čisti pre nego što stavite akumulator u punjač ili u proizvod.

Rešavanje problema

Tastatura

LED ekran	Moguće greške	Moguća rešenja
Crveni LED indikator greške trepće	Odstupanje temperature.	Pustite da se proizvod ohladi.
	Prijavština na kontaktima baterije ili je ventilator blokiran.	Očistite komprimovanim vazduhom ili mekom četkom.
	Baterija je prazna.	Napunite bateriju.
	Baterija je oštećena.	Obratite se serviseru.

Baterija

LED ekran	Moguće greške	Moguća rešenja
Zeleni LED indikator trepće.	Nizak napon baterije.	Napunite bateriju.
LED indikator greške trepće.	Odstupanje temperature.	Koristite bateriju na temperaturama između -5 °C – 40 °C / 23 °F - 104 °F.
	Previsok napon.	Uverite se da je napon električne mreže usklađen sa naponom navedenim na pločici tipa proizvoda. Izvadite bateriju iz punjača baterije.
LED indikator greške je uključen.	Razlika između ćelija je prevelika (1 V).	Obratite se serviseru.

Punjač baterije

LED ekran	Moguće greške	Moguća rešenja
LED indikator punjenja sija postojanom crvenom bojom.	Punjač akumulatora je oštećen.	Obratite se serviseru.
LED indikator punjenja treperi zeleno.	Temperatura baterije je izvan opsega temperature za punjenje.	Pustite da se baterija ohladi ili zagreje. Kada baterija dostigne ispravnu temperaturu, možete je ponovo koristiti ili puniti. Koristite punjač baterije na temperaturi okoline između 5 °C – 40 °C / 41 °F - 104 °F.
LED indikator punjenja treperi crveno.	Baterija je oštećena.	Obratite se serviseru.

Transport, skladištenje i odlaganje

Transport i skladištenje

- Isporučene litijum-jonske baterije su usaglašene sa zakonskim propisima o opasnoj robi.
- Poštujte specijalne zahteve date na pakovanju i oznakama za komercijalni transport, uključujući i one od trećih strana i špeditera.
- Pre slanja proizvoda se konsultujte sa osobom stručnom za opasne materijale. Poštujte sve važeće državne propise.
- Stavite izolir-traku na gole kontakte kad stavljate bateriju u paket. Bateriju treba tesno upakovati, da bi se sprečilo pomeranje.
- Izvadite bateriju tokom transporta i skladištenja.
- Stavite bateriju i punjač baterije u suv prostor koji ne mrzne.
- Ne čuvajte bateriju na mestima gde može doći do statičkog pražnjenja. Ne čuvajte bateriju u metalnoj kutiji.
- Skladištite bateriju samo na mestima na kojima je temperatura okoline između 5°C / 41°F and 25°C / 77°F i izvan direktne sunčeve svetlosti.
- Skladištite punjač baterije samo na mestima na kojima je temperatura okoline između 5 °C/41 °F and 45°C/113°F i izvan direktne sunčeve svetlosti.
- Koristite punjač baterije samo kad je temperatura okoline između 5 °C – 40 °C / 41 °F - 104 °F.

- Napunite bateriju od 30% do 50% pre dužeg skladištenja.
- Skladištite proizvod samo na mestima gde su temperature između -40 °C/-40 °F i +60 °C/140 °F
- Skladištite punjač baterije na zatvorenom i suvom mestu.
- Držite bateriju van punjača baterije tokom skladištenja. Ne dozvolite da deca i neovlašćene osobe diraju opremu. Čuvajte opremu na mestu koje može da se zaključa.
- Očistite proizvod i izvršite kompletno servisiranje pre nego što uskladištite proizvod na duži vremenski period.
- Pričvrstite proizvod tokom transporta.

Odbacivanje baterije, punjača baterije i proizvoda

Simboli na proizvodu ili njegovom pakovanju ukazuju na to da ovaj proizvod nije otpad iz domaćinstva. Reciklirajte ga na lokaciji za recikliranje električne i elektronske opreme. Time se čuva životna sredina i zdravlje ljudi.

Stupite u kontakt sa lokalnim vlastima, servisom za otpad iz domaćinstva ili prodavcem za više informacija o recikliranju ovog proizvoda.

Tehnički podaci

Tehnički podaci

	122iB
Motor	
Tip motora	PMDC
Težina	
Težina bez baterije, kg	1,9
Emisije buke, nivoi zvuka, ^{73 74}	
Nivo zvučne snage, mereno u dB (A)	92,2
Nivo zvučne snage, garantovano L _{WA} dB (A)	93
Ekvivalent zvučnog pritiska kod uha rukovaoca, izmereno prema EN IEC 62841-4-6 i ISO 22868, dB (A):	82,8

⁷³ Emisije buke merene u okruženju kao snaga zvuka (L_{WA}) u skladu sa EZ direktivom 2000/14/EZ ima tipično statističko raspršenje (standardno odstupanje) od 1,0 dB (A).

⁷⁴ Izveštajni podaci za ekvivalentni nivo zvučnog pritiska za mašinu uključuju tipično statističko raspršenje (standardno odstupanje) od 1,3 dB (A).

	122iB
Nivoi vibracije ⁷⁵	
Nivoi vibracija na ručkama, mereni prema EN IEC 62841-4-6, m/s ²	1,13
Učinkak ventilatora	
Najveća brzina volumetrijskog protoka, m ³ /h	865
Najveća teoretska brzina, m/s	53.
Sila duvanja, N	11

Podaci za buku i vibracije su određeni na osnovu nominalne maksimalne brzine.

Napomena: Deklarisana ukupna jačina vibracija i deklarirane vrednosti emisija buke su izmerene u skladu sa metodom standardnog testa i mogu da se koriste za poređenje alata.

Napomena: Deklarisana ukupna vrednost vibracija i deklarirane vrednosti emisija buke mogu da se koriste i za preliminarnu procenu izloženosti.

Napomena: Emisija vibracije i emisija buke u toku stvarnog korišćenja proizvoda može da se razlikuje od deklarirane ukupne vrednosti u zavisnosti od toga kako se proizvod koristi. Neophodno je identifikovati bezbednosne mere za zaštitu rukovaoca na osnovu procene izloženosti u stvarnim uslovima korišćenja. Uključite sve delove radnog ciklusa u procenu, kao što je vreme kada je proizvod isključen i kada radi u praznom hodu pored aktivnog vremena.

Odobrene baterije za proizvod

Baterija	40-B140
Tip	Litijum-jonska
Kapacitet baterije, Ah	Pogledajte nalepnicu tipa baterije
Nazivni napon, V	36
Težina, kg/lb	1,25/2,76

Odobreni punjači baterije

Punjač baterije	40-C80
Ulazni napon, V	100–240
Frekvencija, Hz	50–60
Snaga, W	72
Izlazni napon, V jednosmerne struje / ampera, A	43/1,6

⁷⁵ Podaci o nivou vibracije imaju tipičnu statističku disperziju (standardnu devijaciju) od 1,5 m/s².

Deklaracija o usaglašenosti

EU Deklaracija o usaglašenosti

Mi, **Husqvarna AB**, SE-561 82 Huskvarna, Švedska, tel: +46-36-146500, izjavljujemo pod punom odgovornošću da je proizvod:

Opis	Ručni duvač s baterijom
Marka	Husqvarna
Tip/model	122iB
Identifikacija	Serijski brojevi od 2025 i nadalje

je usaglašena sa sledećim EU direktivama i propisima, kako je izmenjeno:

Propis	Opis
2006/42/EZ	„koji se odnose na mašine“
2014/30/EU	„koji se odnose na elektromagnetsku kompatibilnost“
2011/65/EU	„koji se odnose na ograničenje upotrebe određenih opasnih supstanci u električnoj i elek-tronskoj opremi“
2000/14/EZ	„koji se odnose na emisiju buke u okruženju“

i da su sledeći standardi i/ili tehničke specifikacije primenjeni: EN 62841-1:2015/A11:2022, EN IEC 62841-4-6:2024/A11:2024, EN IEC 63000:2018
EN IEC 55014-1:2021, EN IEC 55014-2:2021

U skladu sa direktivom 2000/14/EC, Aneksom V, deklarisanе vrednosti zvuka potražite u *Tehnički podaci na stranici 355*.

Huskvarna, 2025-11-03

Claes Losdal, menadžer sektora za istraživanje i razvoj,
Husqvarna AB

Odgovoran za tehničku dokumentaciju



Innehåll

Introduktion.....	358	Felsökning.....	367
Säkerhet.....	359	Transport, förvaring och kassering.....	368
Montering.....	364	Tekniska data.....	368
Drift.....	364	Försäkran om överensstämmelse.....	370
Underhåll.....	365		

Introduktion

Produktöversikt

(Fig. 1)

1. Blåsarmunstycke
2. Frigöringsknapp för blåsarmunstycket
3. Knappsats
4. Gasreglage
5. Handtag
6. ON/OFF-knapp
7. Strömindikator
8. Varningsindikator, lysdiod för fel
9. Knapp för hastighetsreglering
10. Har stöd för
11. Batteriindikatorknapp
12. Batteristatus
13. Varningsindikator för batteri
14. Frigöringsknapp för batteri
15. Batteri
16. Ström- och varningsindikator
17. Koppling
18. Batteriladdare 40-C80
19. Bruksanvisning

the Environment Operations (Noise Control) Regulation 2017". Produktens garanterade ljudeffektnivå anges i *Tekniska data på sida 368* och på etiketten.

(Fig. 8)

Produkten eller dess förpackning är inte hushållsavfall. Återvinn den vid en återvinningsstation för elektrisk och elektronisk utrustning.

(Fig. 9)

Produkten överensstämmer med gällande EG-direktiv.

(Fig. 10)

Märkspänning, V

(Fig. 11)

Likström.

åååå vvxxxx

Typskylten visar serienumret. **yyyy** är produktionsåret, **vv** är produktionsveckan och **xxxx** är sekvensnumret.

Produktbeskrivning

Husqvarna 122iB är en blåsarmodell med elmotor.

Avsedd användning

Den här produkten är en pålitlig och lättanvänd handhållen lövblås för blåsning och allmän rengöring i hemmet och trädgården.

Symboler på produkten

- (Fig. 2) **WARNING!** Den här produkten kan vara farlig och kan orsaka allvarlig eller livshotande skada för användaren och andra. Var försiktig och använd produkten på rätt sätt.
- (Fig. 3) Läs igenom bruksanvisningen noggrant och se till att du förstår instruktionerna innan du använder produkten.
- (Fig. 4) Använd godkänt ögonskydd.
- (Fig. 5) **WARNING!** Håll kringstående på avstånd.
- (Fig. 6) Utsätt inte för regn.
- (Fig. 7) Miljömärkning för bulleremission enligt direktiv och bestämmelser för EU och New South Wales-lagen "Protection of

Notera: Övriga på produkten angivna symboler/dekaler avser specifika krav för certifieringar på vissa marknader.

Symboler på batteriet eller på batteriladdaren

- (Fig. 12) Transformator med automatisk säkerhetsanordning.
- (Fig. 13) Använd och förvara endast batteriladdaren inomhus.
- (Fig. 14) Dubbelisolerad.

(Fig. 15)

Återvinn produkten vid en återvinningsstation för elektrisk och elektronisk utrustning. (Gäller endast Europa)

Produktskada

Vi ansvarar inte för skador på vår produkt om:

- produkten repareras felaktigt
- produkten repareras med delar som inte kommer från tillverkaren eller inte har godkänts av tillverkaren

- produkten har ett tillbehör som inte kommer från tillverkaren eller inte har godkänts av tillverkaren
- produkten inte repareras vid ett godkänt servicecenter eller av en godkänd person.

Tillverkare

Husqvarna AB

Drottninggatan 2, SE-561 82 Huskvarna

Säkerhet

Säkerhetsdefinitioner

Varningar, försiktighetsåtgärder och anmärkningar används för att betona speciellt viktiga delar i bruksanvisningen.



VARNING: Används om det finns risk för skador eller dödsfall för användaren eller kringstående om anvisningarna i bruksanvisningen inte följs.



OBSERVERA: Används om det finns risk för skada på produkten, annat material eller det angränsande området om anvisningarna i bruksanvisningen inte följs.

Notera: Används för att ge mer information som är nödvändig i en viss situation.

Allmänna maskinsäkerhetsvarningar



VARNING: Gå igenom alla säkerhetsvarningar, instruktioner, illustrationer och specifikationer som medföljer maskinen. Om du inte följer instruktionerna nedan kan det leda till elektriska stötar, brand och/eller allvarliga skador.

Spara alla varningar och instruktioner som referens.

Notera: I varningarna syftar begreppet "maskin" på en maskin som antingen är ansluten till en strömkälla (med sladd) eller drivs av batteri (sladdlöst).

Säkerhet i arbetsområdet

- **Arbetsområdet ska hållas välordnat och väl belyst.** I rörliga eller mörka arbetsområden händer det lätt olyckor.
- **Använd inte maskinen i explosiva miljöer, t.ex. där det finns brandfarliga vätskor, gaser eller damm.** Gnistor från maskiner kan antända damm eller ångor.
- **Håll barn och personer i närheten på avstånd när du använder en maskin.** Om du blir distraherad kan du tappa kontrollen.

Elsäkerhet

- **Maskinens kontakter måste passa i uttaget. Förändra aldrig kontakten på något sätt. Använd inga adapterkontakter med jordade maskiner.** Oförändrade stickproppar och motsvarande vägguttag minskar riskerna för elektriska stötar.
- **Undvik kroppskontakt med jordade ytor, t.ex. rörledningar, värmeelement, spisar och kylskåp.** Risken för elektriska stötar ökar om kroppen är jordad.
- **Utsätt inte maskiner för regn eller våta förhållanden.** Om vatten tränger in i en maskin ökar risken för elektriska stötar.
- **Använd inte sladden på fel sätt. Använd inte sladden för att bära eller dra maskinen eller för att koppla ur produkten från eluttaget. Håll sladden borta från värme, olja, vassa kanter och rörliga delar.** Skadade eller trassliga sladdar ökar risken för elektrisk stöt.
- **När du använder en maskin utomhus ska du även använda en förlängningssladd för utomhusbruk.** Om du använder en sladd för utomhusbruk minskar risken för elektriska stötar.
- **Om det är oundvikligt att köra en maskin i en fuktig miljö ska du använda en jordfelsbrytare (RCD).** Med jordfelsbrytare minskar risken för elektriska stötar.

Personligt skydd

- **Var på din vakt, var uppmärksam på vad du gör och använd sunt förnuft när du använder en maskin. Använd inte en maskin om du är trött eller påverkad av droger, alkohol eller mediciner.** Ett ögonblick av ouppmärksamhet när du använder maskiner kan leda till allvarlig personskada.
- **Använd personlig skyddsutrustning. Använd alltid ögonskydd.** Lämplig skyddsutrustning som ansiktsmask, halkfria skyddsskor, hjälm och hörselskydd minskar risken för personskador.
- **Förhindra oavsiktlig start. Se till att strömbrytaren är frånsagen innan du ansluter maskinen till en strömkälla eller ett batteripack samt innan du tar upp eller bär maskinen.** Risken för olyckor är stor om du bär maskiner med fingret på strömbrytaren eller tillför ström till maskiner med strömbrytaren påslagen.
- **Ta bort eventuella justeringsnycklar eller skiftnycklar innan du slår på maskinen.** Skiftnycklar som lämnas kvar i maskinens rörliga delar kan orsaka personskada.
- **Sträck dig inte för långt. Ha alltid stadigt fotfäste och god balans.** Det ger dig större kontroll över maskinen i oväntade situationer.

- **Använd ordentliga arbetskläder. Använd inte löst sittande kläder eller smycken. Håll hår och kläder borta från rörliga delar.** Lösna kläder, smycken och långt hår kan fastna i rörliga delar.
- **Om det finns anordningar för anslutning av enheter för uppsamling av damm ska du se till att dessa är ordentligt anslutna och att de används på rätt sätt.** Dammuppsamling kan minska dammrelaterad fara.
- **Tillåt inte dig själv att bli för avslappnad, även om du har erfarenhet av regelbunden användning av maskiner, så att du börjar strunta i maskinsäkerheten.** En slarvig handling kan orsaka allvarlig skada på mindre än en sekund.

Användning och skötsel av maskinen

- **Använd inte onödig kraft. Använd den maskin som är rätt för aktuellt syfte.** Med rätt maskin utför du ett bättre och säkrare jobb med den hastighet som maskinen är utformad för.
- **Använd inte maskinen om du inte kan starta och stänga av den med strömbrytaren.** Maskiner som inte kan regleras med strömbrytaren är farliga och måste repareras.
- **Koppla bort kontakten från strömkällan och/eller ta bort batteriet (om det kan tas bort) innan du gör några justeringar, byter tillbehör eller förvarar maskiner.** Sådana förebyggande säkerhetsåtgärder minskar risken för att maskinen startas oavsiktligt.
- **Förvara maskiner utom räckhåll för barn när de inte används. Se till att personer som inte tidigare har hanterat maskinerna eller som inte har läst instruktionerna inte använder dem.** Maskiner är farliga om de används av ovana användare.
- **Underhåll maskiner och tillbehör. Kontrollera att rörliga delar ligger i linje och inte kärvar. Kontrollera även om det finns skadade delar eller om det föreligger andra förhållanden som kan påverka maskinens funktion. Om maskinen är skadad ska den repareras innan den används igen.** Många olyckor sker på grund av att rätt underhåll inte har utförts på maskinerna.
- **Håll kapmaskiner vassa och rena.** Kapmaskiner med vassa eggar som underhålls på rätt sätt kärvar mer sällan och är lättare att styra.
- **Använd maskinen, tillbehören och delarna enligt de här instruktionerna. Tänk på att ta hänsyn till arbetsförhållandena och det arbete som ska utföras.** Användning av maskinen för andra syften än de avsedda kan resultera i en farlig situation.
- **Håll handtagen och greppytorna torra, rena och fria från olja och fett.** Hala handtag och greppytor innebär att det inte är säkert att hantera och styra maskinen i oväntade situationer.

Använda och underhålla batteridrivna maskiner

- **Ladda endast upp med den laddare som anges av tillverkaren.** En laddare som är lämplig för en typ av

batteripack kan utgöra en brandrisk när den används med ett annat batteripack.

- **Använd endast maskiner med särskilt avsedda batteripack.** Användning av andra batterier kan innebära risk för skada och brand.
- **När batteriet inte används ska du hålla det borta från andra metallföremål, som gem, mynt, nycklar, spikar, skruvar och andra små metallföremål, som kan skapa en anslutning mellan kontaktarna.** Kortslutning av batteriets kontakter kan orsaka brännskador eller brand.
- **Vid felaktig användning kan vätska spruta ut från batteriet. Undvik kontakt. Om kontakt inträffar av misstag ska du skölja med vatten. Om du får vätska i ögonen ska du kontakta vården.** Vätska som sprutar ut från batteriet kan orsaka irritation eller sveda.
- **Använd inte ett batteripack eller en maskin som har skadats eller har modifierats.** Skadade eller modifierade batterier kan uppvisa oförutsägbart beteende vilket kan leda till brand, explosion eller risk för skada.
- **Utsätt inte ett batteripack eller en maskin för eld eller för höga temperaturer.** Om de utsätts för brand eller temperatur över 130 °C kan de explodera.
- **Följ alla anvisningar för laddning och ladda aldrig batteripack eller maskinen utanför det temperaturlintervall som anges i anvisningarna.** Felaktig laddning eller temperaturer utanför det specificerade intervallet kan skada batteriet och öka risken för brand.

Service

- **Låt en kvalificerad reparatör, som endast använder identiska reservdelar, serva din maskin.** På så sätt garanterar du att säkerheten för din maskin upprätthålls.
- **Utför aldrig underhåll på skadade batteripack.** Underhåll på batteripack bör endast utföras av tillverkaren eller auktoriserade tjänsteleverantörer.

Säkerhetsvarningar för trädgårdsblåsen

- **Använd inte trädgårdsblåsen i dåligt väder, i synnerhet inte vid risk för blixtnedslag.** Det minskar risken att träffas av blixten.
- **Använd ögonskydd.** Lämplig skyddsutrustning minskar risken för personskador.
- **Använd alltid halksäkra skyddsskor när du använder trädgårdsblåsen. Använd aldrig trädgårdsblåsen barfota eller med öppna sandaler.** Detta minskar risken för skador på fötterna.
- **Använd inte löst sittande kläder eller till exempel halsdukar, snören, kedjor och band som kan dras in i luftintagen. Sätt upp eller täck över långt hår för att se till att det inte dras in i luftintagen.** Om något av det som nämns ovan dras in i luftintagen kan risken för personskador öka.
- **Håll kringstående personer på avstånd när du använder trädgårdsblåsen.** Skräp som slungas iväg kan öka risken för personskador.

- **Rikta aldrig lövblåsens munstycke mot människor, husdjur eller fönster. Var extra försiktig när du blåser skräp nära fasta föremål, t.ex. träd, bilar och väggar, som kan göra att skräpet studsar tillbaka.** Föremål som slungas iväg kan skada egendom och öka risken för personskador.
- **Använd inte trädgårdsblåsen för att blåsa på något som brinner eller ryker, såsom cigaretter, tändstickor eller het aska.** Dessa antändningskällor kan öka risken för brand.
- **Rör inte fläkten när den fortfarande är i rörelse. Stäng av trädgårdsblåsen och vänta tills fläkten stannar innan du tar bort någon del så att fläkten blottas.** Detta minskar risken för skador som orsakas av rörliga delar.
- **När du tar bort material som fastnat eller utför service på trädgårdsblåsen ska du se till att strömbrytaren är franslagen.** Om trädgårdsblåsen startar när du tar bort material som har fastnat eller när du utför service kan du skada dig allvarligt.

Allmänna säkerhetsanvisningar



WARNING: Läs varningsinstruktionerna nedan innan du använder produkten.

- Denna produkt är farlig om den används på fel sätt, och om du inte är försiktig. Skada eller dödsfall kan inträffa om du inte följer säkerhetsinstruktionerna.
- Denna produkt alstrar ett elektromagnetiskt fält under drift. Detta fält kan under vissa omständigheter ge påverkan på aktiva eller passiva medicinska implantat. För att reducera risken för omständigheter som kan leda till allvarliga eller livshotande skador rekommenderar vi därför personer med implantat att rådgöra med läkare samt tillverkaren av det medicinska implantatet innan denna produkt används.
- Var alltid försiktig och använd sunt förnuft. Om du inte vet hur du ska använda produkten i en särskild situation ska du stanna den och tala med en Husqvarna-återförsäljare innan du fortsätter.
- Tänk på att användaren kommer att hållas ansvarig för olyckor som involverar andra människor eller deras egendom.
- Håll produkten ren. Se till att du kan läsa skyltar och dekaler tydligt.
- Låt aldrig barn eller personer som inte känner till de här instruktionerna använda produkten. Lokala föreskrifter kan ange en åldersgräns för användning.
- Övervaka alltid en person med nedsatt fysisk eller mental kapacitet som använder produkten. En vuxen person måste vara närvarande hela tiden.
- Använd aldrig produkten om du är trött, sjuk eller om du är påverkad av alkohol, droger eller läkemedel. Detta har en negativ inverkan på din syn, ditt omdöme och din kropps kontroll.
- Använd inte produkten om den är skadad eller inte fungerar korrekt.

- Modifiera aldrig den här produkten och använd den inte om det är möjligt att den har blivit modifierad av andra.

Arbets säkerhet



WARNING: Läs varningsinstruktionerna nedan innan du använder produkten.

- Använd personlig skyddsutrustning. Se *Personlig skyddsutrustning på sida 362*.
- Se till att du vet hur man snabbt stoppar motorn i en nödsituation.
- Använd inte produkten i regn eller vid blöta förhållanden. Risken för elektriska stötar ökar om vatten kommer in i produkten.
- Håll dig alltid bakom produkten när du använder den.
- Lyft aldrig upp produkten när motorn är igång. Om du måste lyfta upp produkten ska du först stänga av motorn och ta bort batteriet.
- Gå inte baklänges när du använder produkten.
- Stäng av motorn när du behöver luta produkten för transport eller innan du förflyttar dig över ytor utan gräs, till exempel vägar med grus, sten och asfalt.
- Spring inte med produkten när motorn är igång. Gå alltid när du använder produkten.
- Vibrationerna i produkten under drift kan skilja sig från deklarerat vibrationsvärde i *Tekniska data på sida 368*. Skillnaden beror på varierande användning av produkten. Om du använder produkten ofta eller under långa perioder bör du ta pauser regelbundet för att förhindra skador till följd av vibrationer.

Säkerhetsinstruktioner för drift



WARNING: Läs varningsinstruktionerna nedan innan du använder produkten.

- När du råkar ut för en situation som gör dig osäker angående fortsatt användning ska du rådfråga en expert. Kontakta din återförsäljare eller serviceverkstad. Undvik all användning du anser dig otillräckligt kvalificerad för.
- Se till att du kan gå och stå säkert. Titta efter eventuella hinder vid en oväntad förflyttning (rötter, stenar, grenar, gropar, diken osv.). Iaktta stor försiktighet vid arbete i sluttande terräng.
- Håll god balans och säkert fotfäste under hela tiden. Sträck dig inte för långt.
- Var alltid uppmärksam på varningssignaler eller tillrop när hörselskydd används. Ta alltid av hörselskyddet så snart du stängt av produkten.
- Använd inte produkten nära öppna fönster.
- Visa personer i din omgivning hänsyn genom att undvika att använda produkten under olämpliga tidpunkter, exempelvis sent på kvällen eller tidigt på morgonen. Följ lokala föreskrifter och bestämmelser.

- Använd produkten med lägsta möjliga luftflöde. Det är sällan nödvändigt att använda fullt luftflöde. Många arbetsmoment kan utföras med halvt luftflöde. Ett lägre luftflöde innebär mindre buller och mindre damm, och det är också lättare att ha kontroll över det skräp som samlas ihop/flyttas.
- Under dammiga förhållanden ska ytan fuktas lätt när produkten används.
- Använd en kratta eller en sopkvast för att lösgöra fastsittande skräp från marken.
- Håll lövblåsens öppning så nära marken som möjligt.
- Var medveten om din omgivning. Rikta produkten bort från personer, djur, lekplatser, bilar osv.
- Minimera blästiden genom att fukta dammiga områden lätt eller med hjälp av sprututrustning.
- Var medveten om vindriktningen. Arbeta i vindens riktning för att underlätta ditt arbete.
- Stäng av produkten och ta ur batteriet om produkten börjar vibrera onormalt.
- Det är tidsödande att använda blåsaren för att flytta stora högar, och det skapar onödigt buller.
- Städa upp efter dig. Försäkra dig om att du inte har blåst in skräp på någons tomt.
- Spring inte med produkten.
- Den kraftiga luftströmmen kan förflytta föremål med sådan hastighet att de kan studsas tillbaka och leda till allvarliga ögonskador.

(Fig. 16)

- Rikta inte luftflödet mot människor eller djur.
- Stanna motorn innan du monterar eller demonterar tillbehör eller andra delar.
- Håll alla delar av kroppen borta från heta ytor.
- Ställ aldrig ner produkten när den är påslagen utan att du har uppsikt över den.
- Blåsaren får inte användas på stegar eller ställningar.

(Fig. 17)

- Använd aldrig produkten utan möjlighet att kunna påkalla hjälp i händelse av olycka.
- Varning för utslungade föremål. Stenar, skräp m.m. kan kastas upp i ögonen och vålla blindhet eller allvarliga skador.
- Du kan öka säkerheten när du laddar produkten genom att använda en jordfelsbrytare. Jordfelsbrytare är till för att skydda användaren om ett elektriskt fel skulle uppstå.
- Denna produkt utmärker sig genom sin låga vibrationsbelastning. Överexponering av vibrationer kan leda till blodkärls- eller nervskador hos personer som har blodcirkulationsstörningar. Uppsök läkare om ni upplever kroppsliga symptom som kan relateras till överexponering av vibrationer. Exempel på sådana symptom är domningar, avsaknad av känsel, "kittlingar", "stickningar", smärta, avsaknad eller reducering av normal styrka, förändringar i hudens färg eller dess yta. Dessa symptom uppträder vanligtvis i fingrar, händer eller handleder.

- Använd endast produkten för det arbete den är avsedd för.
- Det är omöjligt att täcka alla tänkbara situationer du kan ställas inför. Var alltid försiktig och använd sunt förnuft. Undvik situationer som du anser dig otillräckligt kvalificerad för. Om du efter att ha läst dessa instruktioner fortfarande känner dig osäker angående tillvägagångssätt ska du rådfråga en expert innan du fortsätter.
- Håll alltid produkten med höger eller vänster hand. Håll produkten vid sidan av kroppen.

(Fig. 18)

Personlig skyddsutrustning



VARNING: Läs varningsinstruktionerna nedan innan du använder produkten.

- Använd alltid godkänd personlig skyddsutrustning när du använder produkten. Personlig skyddsutrustning kan inte eliminera skaderisken helt, men den reducerar effekten av en skada vid ett eventuellt olyckstillbud. Be din återförsäljare om hjälp med att välja rätt utrustning.
- Använd godkända hörselskydd.

(Fig. 19)

- Använd godkänt ögonskydd. Används visir måste även godkända skyddsglasögon användas. Godkända skyddsglasögon måste uppfylla standarden ANSI Z87.1 i USA och SS-EN 166 i EU-länder.

(Fig. 20)

- Använd handskar när det är nödvändigt.

(Fig. 21)

- Använd skyddsstövlar med stålhätta och halkfri sula.

(Fig. 22)

- Ha på dig kläder i slitstarkt material. Bär alltid kraftiga långbyxor och överdel med långa ärmar. Använd inte löst sittande kläder som kan fastna i kvistar och grenar. Använd inte smycken, kortbyxor eller sandaler. Gå inte barfota. Sätt upp håret ordentligt så att det inte hänger nedanför axlarna.
- Ha första förband nära till hands.

(Fig. 23)

Säkerhetsanordningar på produkten



VARNING: Läs varningsinstruktionerna nedan innan du använder produkten.

- I detta avsnitt beskrivs produktens säkerhetsfunktioner, dess syfte samt hur kontroller och underhåll ska utföras för att säkerställa att den fungerar korrekt. Se anvisningarna under rubriken

Produktöversikt på sida 358 för att få reda på var dessa delar är placerade på produkten.

- Produktens livslängd kan förkortas och risken för olyckor kan öka om underhåll av produkten inte utförs på rätt sätt och om service och/eller reparationer inte utförs av specialutbildade tekniker. Kontakta din serviceverkstad om du behöver ytterligare information.
- Använd aldrig en produkt med skadade säkerhetskomponenter. Produktens säkerhetsutrustning ska kontrolleras och underhållas som beskrivs i detta avsnitt. Om din produkt inte klarar alla kontrollerna ska serviceverkstad uppsökas för reparation.
- All service och reparation av produkten kräver specialutbildning. Detta gäller särskilt produktens säkerhetsutrustning. Om produkten inte klarar någon av nedan listade kontroller ska du uppsöka en serviceverkstad. Ett köp av någon av våra produkter garanterar att du kan få en fackmannamässig reparation och service utförd. Om återförsäljaren som säljer produkten inte är en serviceverkstad kan du fråga dem om närmaste serviceverkstad.

Kontrollera knappsatsen

1. Håll ON/OFF-knappen (A) intryckt tills strömindikatorn (B) tänds. (Fig. 24)
2. Se *Felsökning på sida 367* om varningsindikatorn (C) tänds eller blinkar.

Kontrollera gasreglaget

- Tryck in och släpp gasreglaget för att se till att det rör sig fritt. (Fig. 25)

Batterisäkerhet



VARNING: Läs varningsinstruktionerna nedan innan du använder produkten.

- Det batteri som rekommenderas är 40-B series. Batterierna har krypterad programvara.
- Använd det uppladdningsbara 40-B series-batteriet som strömförsörjning endast för relaterade Husqvarna-produkter. På grund av risken för skador ska du inte använda batteriet som strömkälla för andra enheter.
- Risk för elektrisk stöt. Anslut inte batteripolerna till nycklar, skruvar eller andra metallföremål. Det kan orsaka kortslutning i batteriet.
- Använd inte icke-laddningsbara batterier.
- Placera inte föremål i luftspringorna på batteriet.
- Håll batteriet borta från direkt solljus, värme och öppen eld. Batteriet kan orsaka brännskador och/eller kemiska brännskador.
- Håll batteriet borta från regn och fuktiga förhållanden.
- Håll batteriet borta från mikrovågor och högt tryck.
- Försök inte ta isär eller krossa batteriet.

- Låt inte batterisyra komma i kontakt med huden. Batterisyra orsakar skador på huden, korrosion och brännskador. Om man får batterisyra i ögonen ska man inte gnugga, utan spola med vatten i minst 15 minuter. Om batterisyra har kommit i kontakt med huden måste du rengöra huden med rikligt med vatten och tvål. Se till att få vård.
- Använd batteriet vid temperaturer mellan $-10\text{ }^{\circ}\text{C}$ ($14\text{ }^{\circ}\text{F}$) och $40\text{ }^{\circ}\text{C}$ ($104\text{ }^{\circ}\text{F}$).
- Rengör inte batteriet eller batteriladdaren med vatten. Se *Rengöra produkten, batteriet och batteriladdaren på sida 366*.
- Använd inte ett skadat batteri.
- Håll batterier som förvaras borta från metallföremål, exempelvis spikar, skruvar och smycken.
- Håll batteriet utom räckhåll för barn.

Säkerhet, batteriladdare



VARNING: Läs varningsinstruktionerna nedan innan du använder produkten.

- Risk för elektriska stötar eller kortslutning om säkerhetsinstruktionerna inte följs.
- Använd inte andra batteriladdare än den som medföljde produkten. Använd endast 40-C80-laddare för att ladda utbytesbatterier i 40-B-serien.
- Försök inte plocka isär batteriladdaren.
- Använd inte en batteriladdare som har skador eller inte fungerar korrekt.
- Lyft inte batteriladdaren i strömkabeln. Koppla bort batteriladdaren från eluttaget genom att dra i kontakten. Dra inte i strömkabeln.
- Håll alla kablar och förlängningskablar borta från vatten, olja och vassa kanter. Var uppmärksam så att inte sladden kläms i dörrar, stängsel eller liknande.
- Använd inte batteriladdaren nära brandfarliga material eller material som kan orsaka korrosion. Se till att batteriladdaren inte är övertäckt. Dra ut stickkontakten till batteriladdaren vid rökutveckling eller brand.
- Ladda endast batteriet inomhus där den inte utsätts för solljus och på en plats med bra luftflöde. Ladda inte batteriet utomhus. Ladda inte batteriet vid fuktiga förhållanden.
- Använd endast batteriladdaren i temperaturer mellan $5\text{ }^{\circ}\text{C}$ ($41\text{ }^{\circ}\text{F}$) och $40\text{ }^{\circ}\text{C}$ ($104\text{ }^{\circ}\text{F}$). Använd laddaren i en miljö med bra luftflöde, som är torr och fri från damm.
- Placera inte föremål i kylningsöppningar på batteriladdaren.
- Anslut inte batteriladdarens kontakter till metallföremål eftersom batteriladdaren kan kortslutas.
- Använd godkända eluttag som inte är skadade. Se till att batteriladdarens strömsladd inte är skadad.

Om förlängningssladd används, se till att den inte är skadad.

- Ladda aldrig batterier som inte är laddningsbara i batteriladdaren.

Säkerhetsinstruktioner för underhåll



WARNING: Läs varningsinstruktionerna nedan innan du utför underhåll på produkten.

- Ta ur batteriet innan du utför underhåll, övriga kontroller eller monterar produkten.
- Användaren får endast utföra underhålls- och servicearbeten som beskrivs i denna bruksanvisning.

Vänd dig till en serviceverkstad för underhåll och service av större omfattning.

- Rengör inte batteriet eller batteriladdaren med vatten. Starka rengöringsmedel kan orsaka skador på plasten.
- Om du inte utför underhåll minskas produktens livscykel och risken för olyckor ökar.
- Särskild utbildning krävs för allt service- och reparationsarbete, särskilt för produktens säkerhetsanordningar. Om inte alla kontroller i den här bruksanvisningen är godkända efter att du gjort underhåll ska du kontakta din serviceverkstad. Vi garanterar att det finns professionella reparationer och service tillgängliga för din produkt.
- Använd endast originaltillbehör.

Montering

Introduktion



WARNING: Läs och förstå säkerhetskapitlet innan du monterar produkten.

Montera munstycket

1. Placera munstycket vid produktens främre ände. (Fig. 26)
2. Tryck in munstycket tills du hör ett klickljud.

Montera batteriladdaren 40-C80 på väggen



OBSERVERA: Använd inte en elektrisk skruvmejsel för att montera batteriladdaren på väggen. En elektrisk skruvmejsel kan skada batteriladdaren.

1. Fäst batteriladdaren på väggen med de två skruvarna (A). Använd väggpluggar (B) vid behov. (Fig. 27)
2. Fäst de två skruvhålspluggarna (C).
3. Anslut batteriladdarens nätsladd (D) till ett vägguttag.

Drift

Introduktion



WARNING: Läs och förstå säkerhetskapitlet innan du använder produkten.

Kontrollera funktionen innan du använder produkten

1. Kontrollera om luftintaget är smutsigt eller har sprickor. Använd en borste och borsta bort gräs och löv från produkten. Se *Kontrollera luftintaget på sida 366*.
2. Kontrollera att produkten fungerar korrekt.
3. Kontrollera alla muttrar och skruvar och se till att de är täta.

Batteri



WARNING: Innan du använder batteriet måste du läsa igenom och förstå kapitlet om säkerhet. Du måste också läsa igenom och förstå den bruksanvisning som medföljer batteriet och batteriladdaren.

Förvara batteriet och batteriladdaren i rätt omgivningstemperatur.

	Omgivningstemperatur
Handhavande av produkten	-5 °C – 40 °C / 23 °F - 104 °F
Laddning av batteri	5 °C – 40 °C / 41 °F - 104 °F

Batteriets LED-kontrollampa

(Fig. 28)

Displayen visar laddningsstatusen och om det föreligger problem med batteriet.

LED-kontrollampa	Batteristatus (laddningsstatus)
	40-B140
Fyra lysdioder lyser	Batteriet är 76 %–100 % laddat.
Tre lysdioder lyser	Batteriet är 51 %–75 % laddat.
Två lysdioder lyser	Batteriet är 26 %–50 % laddat.
En lysdiod lyser	Batteriet är 6 %–25 % laddat.
En lysdiod blinkar	Batteriet är 0 %–5 % laddat.

Att ladda batteriet

Ladda batteriet om det är första gången du använder det. Ett nytt batteri är endast 30 % laddat.



OBSERVERA: Anslut batteriladdaren till den spänning och frekvens som anges på typskylten.

Batteriet laddas inte om batteritemperaturen överstiger 50 °C.

1. Anslut strömkabeln till batteriladdaren.
2. Anslut batteriladdaren till ett jordat nätuttag. Laddningslampan blinkar en gång. (Fig. 29)
3. Anslut batteriet till batteriladdaren. Den gröna lampan tänds. Ladda batteriet i högst 24 timmar. (Fig. 30)
4. Tryck på batteriindikatorknappen. Om alla kontrollampor tänds är batteriet fulladdat.
5. Dra ut nätkontakten för att koppla bort batteriladdaren från nätuttaget. Dra inte i strömkabeln.
6. Ta ut batteriet ur batteriladdaren.

Ansluta batteriet till produkten



WARNING: Använd endast det rekommenderade batteriet Husqvarna för produkten.

1. Se till att batteriet är fulladdat.
2. Skjut in batteriet i batterihållaren tills du hör ett klick. Batteriet måste vara lätt att flytta. Annars är det inte monterat på rätt sätt. (Fig. 31)

Starta produkten

1. Håll startknappen intryckt tills den gröna lampan tänds. (Fig. 32)
2. Använd produkten med hjälp av gasreglaget.

Ställa in optimalt luftflöde för ditt arbete

- Ställ in luftflödet genom att trycka på knappen för hastighetsreglering. Det finns tre luftflödessteg. (Fig. 33)

Stoppa produkten

1. Släpp gasreglaget.
2. Håll strömknappen intryckt tills den gröna lysdioden släcks.
3. Tryck på frigöringsknappen och dra ut batteriet. (Fig. 34)

Automatisk avstängningsfunktion

Produkten har en automatisk avstängningsfunktion som stoppar produkten om den inte används. Den gröna LED-strömindikatorn släcks och produkten stängs av efter 3 minuter.

Underhåll

Introduktion



WARNING: Innan du utför något underhållsarbete måste du läsa och förstå kapitlet om säkerhet.

Underhållsschema



WARNING: Ta bort batteriet innan du utför underhåll.

Nedan följer en lista över de underhållssteg som ska utföras på produkten.

Underhåll	Dagligen	Varje vecka	Varje månad
Rengör produkten med en ren och torr trasa. Använd inte vatten.	X		
Se till att handtagen är torra och rena.	X		
Kontrollera knappsatsen.	X		
Kontrollera gasreglaget.	X		
Se till att muttrar och skruvar är åtdragna.	X		
Se till att batteriet inte är skadat.	X		
Kontrollera batteriladdningen.	X		
Se till att frigöringsknapparna på batteriet inte är skadade och låser fast batteriet i produkten.	X		
Se till att batteriladdaren inte är skadad.	X		
Se till att alla kopplingar, anslutningar och kablar är rena och att de inte är skadade.		X	
Kontrollera anslutningarna på batteriet, batteriladdaren och produkten.			X

Kontrollera luftintaget

1. Kontrollera att det inte finns någon blockering i luftintaget. (Fig. 35)
2. Stoppa produkten och ta bort oönskat material om det behövs.



OBSERVERA: Ett igensatt luftintag minskar produktens blåskapacitet och ökar motorns arbetstemperatur. Det kan leda till motorfel eftersom motorn blir för varm.

Undersöka batteriet och batteriladdaren

1. Undersök om batteriet har skador, till exempel sprickor.

2. Undersök om batteriladdaren har skador, till exempel sprickor.
3. Kontrollera att anslutningssladden till batteriladdaren är oskadad och att inga sprickor finns.

Rengöra produkten, batteriet och batteriladdaren

1. Rengör produkten med en torr trasa efter användning.
2. Rengör batteriet och batteriladdaren med en torr trasa. Håll batteriets styrspar rena.
3. Kontrollera att kontakterna på batteriet och batteriladdaren är rena innan batteriet sätts i batteriladdaren eller i produkten.

Felsökning

Knappsats

LED-skärm	Eventuella fel	Möjliga lösningar
Den röda LED-lampan för fel blinkar	Temperaturavvikelse.	Låt produkten svalna.
	Smuts i batterikontakterna eller så är fläkten blockerad.	Rengör med tryckluft eller en mjuk borste.
	Batteriet är tomt.	Ladda batteriet.
	Batteriet är skadat.	Kontakta en serviceverkstad.

Batteri

LED-skärm	Eventuella fel	Möjliga lösningar
Den gröna LED-lampan blinkar.	Låg batterispänning.	Ladda batteriet.
LED-lampan för fel blinkar.	Temperaturavvikelse.	Använd batteriet i temperaturer mellan -5 °C – 40 °C / 23 °F - 104 °F.
	För hög spänning.	Se till att nätspänningen är i linje med det värde som anges på produktens typskylt. Ta ut batteriet ur batteriladdaren.
LED-lampan för fel lyser.	För stor batteriskillnad (1 V).	Vänd dig till en serviceverkstad.

Batteriladdare

LED-skärm	Eventuella fel	Möjliga lösningar
LED-lampan för laddning lyser med fast rött sken.	Batteriladdaren är skadad.	Vänd dig till en serviceverkstad.
LED-lampan för laddning blinkar grönt.	Batteritemperaturen är utanför laddningsområdet.	Låt batteriet svalna eller vänta tills det har blivit varmare. När batteriet har rätt temperatur kan du använda och ladda det. Använd batteriladdaren i omgivningstemperaturer mellan 5 °C – 40 °C / 41 °F - 104 °F.
LED-lampan för laddning blinkar rött.	Batteriet är skadat.	Vänd dig till en serviceverkstad.

Transport, förvaring och kassering

Transport och förvaring

- Medföljande Li-Ion-batterier uppfyller kraven i lagstiftningen för farligt gods.
- Följ de särskilda kraven för förpackning och etiketter för kommersiella transporter, inklusive av tredje parter och speditörer.
- Tala med en person med särskild utbildning i farliga material innan du skickar produkten. Följ alla tillämpliga nationella föreskrifter.
- Använd tejp på öppna kontakter när du lägger batteriet i en förpackning. Lägg batteriet trångt i förpackningen för att förhindra rörelse.
- Ta ur batteriet vid förvaring eller transport.
- Placera batteriet och batteriladdaren i ett utrymme som är torrt och fritt från fukt och frost.
- Förvara inte batteriet på ställen där statisk elektricitet kan uppkomma. Förvara inte batteriet i en metallåda.
- Förvara batteriet på en plats där temperaturen är mellan 5°C / 41°F and 25°C / 77°F och inte i direkt solljus.
- Förvara batteriladdaren på en plats där temperaturen är mellan 5 °C/41 °F and 45°C/113°F och inte i direkt solljus.
- Använd endast batteriladdaren när omgivningstemperaturen är mellan 5 °C – 40 °C / 41 °F - 104 °F.

- Ladda batteriet till 30–50 % innan du förvarar det under längre perioder.
- Förvara produkten på en plats där temperaturen är mellan –40 och +60 °C.
- Förvara batteriladdaren på en plats som är stängd och torr.
- Håll batteriet borta från laddaren under förvaring. Låt inte barn och personer som inte är godkända röra utrustningen. Förvara utrustningen på en plats som du kan låsa.
- Rengör produkten och gör en fullständig service innan du ska förvara produkten under en längre tid.
- Sätt fast produkten under transport.

Avyttring av batteriet, laddaren och produkten

Symbolerna på produkten eller dess förpackning indikerar att denna produkt inte får hanteras som hushållsavfall. Återvinn den vid en återvinningsstation för elektrisk och elektronisk utrustning. Detta bidrar till att förhindra skador på miljön och personskador.

Kontakta lokala myndigheter, hushållsavfallsservice eller en återförsäljare för mer information om hur produkten kan återvinnas.

Tekniska data

Tekniska data

	1221B
Motor	
Motortyp	PMDC
Vikt	
Vikt utan batteri, kg	1,9
Bulleremissioner, ljudnivåer , ^{76 77}	
Ljudeffektnivå, uppmätt dB(A)	92,2
Ljudeffektnivå, garanterad L _{WA} dB(A)	93
Ekvivalent ljudtrycksnivå vid användarens öra, uppmätt enligt EN IEC 62841-4-6 och ISO 22868, dB (A):	82,8

⁷⁶ Bulleremission till omgivningen uppmätt som ljudeffekt (L_{WA}) enligt EG-direktiv 2000/14/EG, har en typisk statistisk spridning (standardavvikelse) på 1,0 dB (A).

⁷⁷ Rapporterade data för ekvivalent ljudtrycksnivå för maskinen har en typisk statistisk spridning (standardavvikelse) på 1,3 dB (A).

	122IB
Vibrationsnivåer ⁷⁸	
Vibrationsnivåer i handtag, uppmätt enligt EN IEC 62841-4-6, m/s ²	1,13
Fläktprestanda	
Maximal volymflödes hastighet, m ³ /h	865
Maximal teoretisk hastighet, m/s	53
Blåskraft, N	11

Buller- och vibrationsdata fastställs baserat på det maximala varvtalet.

Notera: Det deklarerade totala vibrationsvärdet och de deklarerade totala bulleremissionerna har uppmätts i enlighet med en standardtestmetod och kan användas för jämförelse av två verktyg.

Notera: Det deklarerade totala värdet för vibration och bulleremission kan användas i en preliminär bedömning av exponering.

Notera: Vibrationsnivån och bulleremissionen vid användning av produkten kan skilja sig från det angivna totala värdet beroende på hur maskinen används. Det är nödvändigt att identifiera säkerhetsåtgärder för att skydda användaren, baserat på en uppskattning av exponeringen under de faktiska användningsförhållandena. Inkludera alla delar av driftcykeln i uppskattningen, t.ex. de tider då produkten är avstängd och när den går på tomgång utöver utlösningstiden.

Godkända batterier för produkten

Batteri	40-B140
Typ	Litiumjonbatteri
Batterikapacitet, Ah	Se batteritypskylten
Nominell spänning, V	36
Vikt, kg/lb	1,25/2,76

Godkända batteriladdare

Batteriladdare	40-C80
Ingående spänning, V	100–240
Frekvens, Hz	50–60
Effekt, W	72
Utspänning, V d.c. / ampere, A	43 / 1,6

⁷⁸ Rapporterade data för vibrationsnivå har en typisk statistisk spridning (standardavvikelse) på 1,0 m/s².

Försäkran om överensstämmelse

EU-försäkran om överensstämmelse

Vi, **Husqvarna AB**, SE-561 82 Huskvarna, Sverige, tel:
+46-36-146500, försäkrar på eget ansvar att produkten:

Beskrivning	Handhållen batteridrivna lövblås
Varumärke	Husqvarna
Typ/Modell	122iB
Identifiering	Serienummer daterade 2025 och framåt

överensstämmer med följande EU-direktiv och
-förordningar enligt ändringar:

Lagstiftning	Beskrivning
2006/42/EG	"om maskiner"
2014/30/EU	"angående elektromagnetisk kompatibilitet"
2011/65/EU	"angående begränsning av användning av vissa farliga ämnen i elektrisk och elektronisk utrustning"
2000/14/EG	"angående emission av buller till omgivningen"

och att följande standarder och/eller tekniska
specifikationer tillämpas: EN 62841-1:2015/A11:2022,
EN IEC 62841-4-6:2024/A11:2024, EN IEC 63000:2018

EN IEC 55014-1:2021, EN IEC 55014-2:2021

I enlighet med direktiv 2000/14/EC, Bilaga V, se
Tekniska data på sida 368 för angivna ljudvärden.

Huskvarna, 2025-11-03

Claes Losdal, R&D Manager, Husqvarna AB

Ansvarelig för teknisk dokumentation



İçindekiler

Giriş.....	371	Sorun giderme.....	380
Güvenlik.....	372	Taşıma, depolama ve atma.....	381
Montaj.....	377	Teknik veriler.....	381
Çalışma.....	377	Uyumluluk Bildirimi.....	383
Bakım.....	379		

Ürüne genel bakış

(Şek. 1)

1. Üfleyci nozülü
2. Üfleyci ucu için serbest bırakma düğmesi
3. Tuş takımı
4. Güç tetiği
5. Tutma yeri
6. Güç ON/OFF düğmesi
7. Güç göstergesi
8. Uyarı göstergesi hata LED'i
9. Hız kontrolü düğmesi
10. Destekler
11. Akü gösterge düğmesi
12. Akü durumu
13. Akü uyarı göstergesi
14. Akü çıkarma düğmesi
15. Akü
16. Güç açma ve uyarı göstergesi
17. Konektör
18. Akü şarj cihazı 40-C80
19. Kullanım kılavuzu

Ürün açıklaması

Husqvarna 122iB, elektrik motorlu bir üfleyci modelidir.

Kullanım amacı

Bu ürün, ev ve bahçedeki tüm üfleme ve genel temizlik işleri için güvenilir ve kullanımı kolay bir el tipi yaprak üfleycidir.

Ürün üzerindeki semboller

- (Şek. 2) **UYARI:** Bu ürün, tehlikeli olabilir ve sürücü ya da başkaları açısından ciddi yaralanmalara veya ölüme neden olabilir. Dikkatli olun ve ürünü doğru kullanın.
- (Şek. 3) Ürünü kullanmadan önce kullanım kılavuzunu dikkatlice okuyun ve talimatları anladığınızdan emin olun.
- (Şek. 4) Onaylı koruyucu gözlük kullanın.
- (Şek. 5) **UYARI - Çevredeki kişileri uzak tutun.**
- (Şek. 6) Yağmura maruz bırakmayın.
- (Şek. 7) AB direktifleri ile yönetmelikleri ve Yeni Güney Galler mevzuatı "Çevre Koruma Operasyonları (Gürültü Kontrolü) Yönetmeliği 2017" uyarınca çevreye

yayılan gürültü emisyonu etiketi. Ürünün garantili ses gücü düzeyi *Teknik veriler sayfa: 381* bölümünde ve etiket üzerinde belirtilmiştir.

- (Şek. 8) Ürün ya da ürünün ambalajı evsel atık değildir. Ürünü, elektrikli ve elektronik ekipmanlar için bir geri dönüşüm istasyonunda geri dönüştürün.
- (Şek. 9) Ürün, geçerli AT direktiflerine uygundur.
- (Şek. 10) Nominal voltaj, V
- (Şek. 11) Doğru akım.

yyyy hhxxxx

Nominal değerler plakası, seri numarasını gösterir. **yyyy** üretim yılı, **hh** üretim haftası, **xxxx** ise sıra numarasıdır.

Not: Ürün üzerindeki diğer semboller/etiketler belirli bölgelerin özel sertifikalandırma gereksinimleri ile ilgilidir.

Akü ve/veya akü şarj cihazı üzerindeki semboller

- (Şek. 12) Arıza emniyetli güç kaynağı ünitesi.
- (Şek. 13) Akü şarj cihazını sadece kapalı mekanlarda kullanın ve saklayın.
- (Şek. 14) Çift yalıtım.

Bu ürünü, elektrikli ve elektronik ekipmanlar için bir geri dönüşüm istasyonunda geri dönüştürün. (Sadece Avrupa için geçerlidir)

Üründe oluşabilecek hasarlar

Aşağıdaki durumlarda ürünümlüde oluşabilecek hasarlardan sorumlu olmayız:

- ürünün hatalı bir şekilde onarılması,
- ürünün, üretici tarafından onaylanmayan veya üreticiden alınmayan parçalarla tamir edilmesi,
- üründe, üreticiden alınmayan veya üretici tarafından onaylanmayan bir aksesuar bulunması,

- ürünün, onaylı bir servis merkezinde veya yetkili bir kurum tarafından tamir edilmemesi.

Drottninggatan 2, SE-561 82 Huskvarna

Üretici

Husqvarna AB

Güvenlik

Güvenlik tanımları

Kılavuzdaki önemli kısımları vurgulamak için uyarılar ve notlar kullanılmıştır.



UYARI: Kılavuzdaki talimatlara uyulmadığı takdirde operatör veya çevredeki kişiler için ciddi yaralanma veya ölüm tehlikesi varsa kullanılır.



DİKKAT: Kılavuzdaki talimatlara uyulmadığı takdirde ürünün, diğer malzemelerin veya çevrenin zarar görme riski olduğunda kullanılır.

Not: Belirli bir durumda bilgi verilmesi gerektiğinde kullanılır.

Genel makine güvenlik uyarıları



UYARI: Bu makineyle birlikte verilen tüm güvenlik uyarılarını, talimatları, çizimleri ve teknik özellikleri okuyun. Aşağıda listelenen tüm talimatların göz ardı edilmesi elektrik çarpmasına, yangına ve/veya ciddi yaralanmaya neden olabilir.

Tüm uyarı ve talimatları ilerde başvurmak üzere saklayın.

Not: Uyarılardaki "makine", şebeke akımıyla çalışan (kablolu) makinenizi veya aküyle çalışan (kablesiz) makinenizi belirtmektedir.

Çalışma alanı güvenliği

- **Çalışma alanını temiz ve iyi aydınlatılmış tutun.** Kalabalık veya karanlık alanlar kazalara neden olabilir.
- **Makineyi yanıcı sıvılar, gazlar ya da tozlar bulunan patlama tehlikeli ortamlarda çalıştırmayın.** Makineler tozu ya da buharları tutuşturabilecek kıvılcımlar oluşturur.
- **Makineyi kullanırken çocukları ve diğer kişileri uzak tutun.** Dikkatinizin dağılması, kontrolü kaybetmenize neden olabilir.

Elektrik güvenliği

- **Makine fişleri prize uygun olmalıdır. Hiçbir zaman fişler üzerinde herhangi bir değişiklik yapmayın. Topraklı (topraklanmış) makinelerle herhangi bir adaptör fiş kullanmayın.** Değiştirilmemiş fişler ve uygun prizler elektrik çarpması riskini azaltır.
- **Boru, radyatör, fırın, buzdolabı gibi topraklı yüzeylerle vücut temasından kaçının.** Vücudunuz topraklı ise elektrik çarpması riski artar.
- **Makineleri yağmura veya ıslak koşullara maruz bırakmayın.** Makineye su girerse elektrik çarpması riski artar.
- **Kabloyu kötü kullanmayın. Kabloyu asla makineyi taşımak, çekmek veya fişten çıkarmak için kullanmayın. Kabloyu ısıdan, yağdan, keskin kenarlardan veya hareketli parçalardan uzakta tutun.** Hasar görmüş veya dolaşmış kablolar elektrik çarpması riskini artırır.
- **Makineyi dış mekanda kullanırken, dış mekan kullanımı için uygun bir uzatma kablosu kullanın.** Dış mekan için uygun bir kablo kullanmak, elektrik çarpması riskini azaltır.
- **Makineyi mutlaka nemli bir ortamda çalıştırmazınız gerekiyorsa artık akım cihazı (RCD) korumalı bir güç kaynağı kullanın.** RCD kullanmak elektrik çarpması riskini azaltır.

Kişisel güvenlik

- **Makineyi kullanırken tetikte olun, dikkatinizi yaptığınız işe verin ve sağduyulu olun. Yorgunken veya uyuşturucu, alkol ya da ilaç etkisi altındayken makineyi kullanmayın.** Makineleri kullanırken bir anlık bir dikkatsizlik, ciddi yaralanmaya neden olabilir.
- **Kişisel koruyucu ekipmanlar kullanın. Daima koruyucu gözlük takın.** Uygun durumlarda toz maskesi, kaymayan güvenlik ayakkabıları, baret veya kulak koruma ekipmanı gibi koruyucu ekipman kullanımı yaralanmaları azaltır.
- **İstenmeyen çalıştırmaları önleyin. Makineyi güç kaynağına ve/veya akü grubuna bağlamadan, kaldırmadan veya taşımadan önce anahtarları KAPALI konumda olduğundan emin olun.** Makineleri parmağınız güç anahtarındayken taşımak veya açık durumdaki makinelerle enerji vermek kazalara yol açabilir.
- **Makineyi açmadan önce ayarlama anahtarlarını veya İngiliz anahtarlarını çıkarın.** Makinenin dönen kısmına takılı bırakılan İngiliz anahtarı veya anahtar yaralanmaya neden olabilir.

- **Makineyi kullanırken erişim alanınızın dışındaki yerlere uzanmaya çalışmayın. Her zaman yere sağlam basın ve dengeyi koruyun.** Bu, makinenin beklenmedik durumlarda daha iyi kontrolünü sağlar.
- **Uygun giyinin. Bol kıyafetler giymeyin veya takı takmayın. Saçınızı ve kıyafetinizi hareketli parçalarından uzakta tutun.** Bol kıyafetler, takılar veya uzun saçlar hareketli parçalara takılabilir.
- **Cihazlar toz çekme ve toplama takımı bağlantısı ile geldiyseniz bunların bağlı olduğundan ve düzgün kullanıldığını emin olun.** Toz toplama özelliği, tozla ilgili tehlikeleri azaltabilir.
- **Makineleri sık kullanmanın verdiği aşinalıkla kendinizi rahat hissedip makine güvenlik ilkelerini görmezden gelmeyin.** Dikkatsiz eylemler bir anda ağır yaralanmalara neden olabilir.

Makine kullanımı ve bakımı

- **Makineyi zorlamayın. Yapacağınız iş için doğru makineyi kullanın.** Doğru makine, tasarlandığı oranda işi daha iyi ve güvenli yapar.
- **Güç anahtarı, makineyi açıp kapatmıyorsa makineyi kullanmayın.** Güç anahtarıyla kontrol edilemeyen makineler tehlikelidir ve onarılmazdır.
- **Herhangi bir ayarlama yapmadan, aksesuar değiştirmeden veya makineleri depolamadan önce makinenin fişini güç kaynağından çekin ve/veya çıkarılabilirse akü grubunu çıkarın.** Bu tür önleyici güvenlik önlemleri, makinenin kazara çalıştırılma riskini azaltır.
- **Kullanılmayan makineleri çocukların erişemeyeceği yerde saklayın ve makinelere veya bu talimatlara yabancı olan kişilerin makineleri çalıştırmasına izin vermeyin.** Makineler, eğitimsiz kullanıcıların elinde tehlikelidir.
- **Makine ve aksesuarların bakımını yapın.** Hareketli parçaların yanlış konumlandırılması veya bağlanması, parçaların kırılması ve makinenin çalışmasını etkileyebilecek herhangi bir durum olup olmadığını kontrol edin. Hasarlıysa kullanmadan önce makinenin onarılmasını sağlayın. Çok sayıda kaza, yetersiz bakım yapılmış makinelerden kaynaklanmaktadır.
- **Kesme makinelerini keskin ve temiz tutun.** Bakımı düzgün yapılmış, kesici kenarları yeterli keskinlikte olan kesme makinelerinin takılma ihtimali daha az olup kontrol edilmeleri de daha kolaydır.
- **Makine, aksesuarlar, parçalar vb. bileşenleri, çalışma koşullarını ve yapılacak işi göz önünde bulundurarak bu talimatları uygun şekilde kullanın.** Makinenin tasarlanan amaçlar dışında kullanılması tehlikeli bir duruma yol açabilir.
- **Tutma yerlerini ve kavrama yüzeylerini kuru, temiz, gres ve yağdan arındırılmış halde tutun.** Kaygan tutma yerleri ve kavrama yüzeyleri, beklenmeyen durumlarda makinenin güvenli kullanımına ve kontrolüne izin vermez.

Akü tü makine kullanımı ve bakımı

- **Sadece üreticinin belirttiği şarj aletiyle şarj edin.** Bir akü grubu için uygun olan bir şarj aleti başka bir akü grubuyla kullanıldığında yangın riski doğurabilir.
- **Makineleri yalnızca özel olarak belirlenmiş akü gruplarıyla kullanın.** Farklı türde akü gruplarının kullanılması yangın ve yaralanma riski doğurabilir.
- **Akü grubunu, kullanımda değilken ataç, bozuk para, anahtar, çivi, vida veya diğer küçük metal cisimler gibi bir ucun başka bir uca bağlanmasına neden olabilecek cisimlerden uzak tutun.** Akü uçlarının kısa devre yapması yanıklara veya yangına neden olabilir.
- **Zorlayıcı koşullarda aküden sıvı sızabilir; bu sıvıyı dokunmayın. Kazara dokunursanız temas eden kısmı bol suyla yıkayın. Sıvı, göze temas ederse ayrıca doktora başvurun.** Aküden sızan sıvı cildin tahriş olmasına veya yanıklara neden olabilir.
- **Hasarlı veya üzerinde değişiklik yapılmış akü grubunu veya makineyi kullanmayın.** Hasarlı veya üzerinde değişiklik yapılmış aküler; yangın, patlama ya da yaralanma riski ile sonuçlanabilecek beklenmedik durumlara yol açabilir.
- **Akü grubunu veya makineyi ateşe ya da aşırı sıcaklığa maruz bırakmayın.** Akülerin ateşe veya 130°C / 265 °F üzeri sıcaklığa maruz kalması patlamaya neden olabilir.
- **Tüm şarj etme talimatlarına uyun ve akü grubunu ya da makineyi talimatlarda belirtilen sıcaklık aralığı dışında şarj etmeyin.** Belirtilen sıcaklık aralığının dışında veya hatalı olarak yapılan şarj işlemleri, aküye zarar verebilir ve yangın riskini artırabilir.

Servis

- **Makinenizin yalnızca aynı yedek parçalar kullanan uzman bir tamirci tarafından onarılmasını sağlayın.** Bu, makinenin güvenliğini sağlanması için gereklidir.
- **Hasarlı akü gruplarına asla servis işlemi uygulamayın.** Akü gruplarının servis işlemleri yalnızca üretici veya yetkili servis sağlayıcıları tarafından gerçekleştirilmelidir.

Bahçe yaprak üfleme güvenliği uyarıları

- **Bahçe yaprak üfleme için kötü hava koşullarında, özellikle de yıldırım düşmesi riski olduğunda kullanmayın.** Bu, bir yıldırım tarafından çarpılma riskini azaltır.
- **Koruyucu gözlük takın.** Uygun koruyucu ekipman, yaralanma riskini azaltır.
- **Bahçe yaprak üfleme için kullanırken her zaman kaymayan ve koruyucu ayaklı giyin.** Bahçe yaprak üfleme için çıplak ayakta veya açık sandalet giyerek kullanmayın. Bu, ayaklarda meydana gelebilecek yaralanma riskini azaltır.
- **Bol giysiler veya hava girişlerine çekilebilecek atkı, tel, zincir, kravat vb. aksesuarlar giymeyin.** Uzun saçları bağlayarak veya örterek hava girişlerine

çekilmemesini sağlayın. Bu öğelerden herhangi biri hava girişlerine çekilirse yaralanma riskini artırabilir.

- **Bahçe yaprak üfleyciyi kullanırken çevredeki kişileri uzak tutun.** Fırlayan **döküntü** yaralanma riskini artırabilir.
- **Üfleyci ucunu asla insanlara veya evcil hayvanlara ya da pencerelere doğru tutmayın.** **Döküntü fırlamasına neden olabilecek ağaç, otomobil ve duvar gibi katı nesnelere yakınındaki döküntüleri üflerken ekstra dikkatli olun.** Fırlayan nesnelere maddi hasara neden olabilir ve kişisel yaralanma riskini artırabilir.
- **Bahçe yaprak üfleyciyi sigara, kibrit veya sıcak kül gibi yanan ya da duman çıkaran herhangi bir şeye üfleme için kullanmayın.** Bu tutuşma kaynakları yangın riskini artırabilir.
- **Hareket halindeyken fana dokunmayın.** Fana erişim sağlayabilecek herhangi bir parçayı çıkarmadan önce bahçe yaprak üfleyciyi kapatın fanın durmasını bekleyin. Bu, hareketli parçalardan kaynaklanan yaralanma riskini azaltır.
- **Sıkışmış malzemeyi temizlerken veya bahçe yaprak üfleyciye servis uygularken güç anahtarının kapalı olduğundan emin olun.** Sıkışmış malzemeyi temizlerken veya servis uygularken bahçe yaprak üfleycinin beklenmedik şekilde çalışması ciddi yaralanmalara neden olabilir.

Genel güvenlik talimatları



UYARI: Ürünü kullanmadan önce aşağıdaki uyarı talimatlarını okuyun.

- Bu ürün yanlış kullanıldığında veya dikkatli olmazsanız tehlikelidir. Güvenlik talimatlarına uyulmaması yaralanmalara veya ölüme yol açabilir.
- Bu ürün, çalışırken elektromanyetik bir alan oluşturur. Bu alan, bazı koşullarda aktif veya pasif tıbbi implantlarda parazitlenmeye neden olabilir. Ciddi yaralanmaya veya ölüme neden olabilecek durumların ortaya çıkma riskini azaltmak için tıbbi implantı olan kişilerin, bu ürünü çalıştırmadan önce doktorlarına ve tıbbi implant üreticilerine danışmalarını öneririz.
- Her zaman dikkatli olun ve sağduyunuzu kullanın. Özel bir durumda ürünü nasıl kullanacağınızdan emin değilseniz durun ve devam etmeden önce Husqvarna bayinizle görüşün.
- Diğer insanları veya bu insanlara ait mülkleri içeren kazalardan sürücünün sorumlu tutulacağını unutmayın.
- Ürünü temiz tutun. İşaretleri ve etiketleri net bir şekilde okuyabildiğinizden emin olun.
- Çocukların veya bu kullanma talimatlarını bilmeyen kişilerin cihazı kullanmasına asla izin vermeyin. Yerel yönetmeliklerde operatör yaşı konusunda bir sınırlama olabilir.
- Fiziksel veya zihinsel kapasitesi düşük olan bir kişi ürünü kullanırken bu kişiyi daima gözetim altında

tutun. Sorumluluk sahibi bir yetişkin her zaman orada olmalıdır.

- Ürünü yorgunken, hastayken veya alkol ya da ilaç etkisi altındayken kullanmayın. Bu durum görüş, dikkat, koordinasyon ve doğru bir şekilde düşünmenizi olumsuz yönde etkiler.
- Hasarlıysa veya düzgün çalışmıyorsa ürünü kullanmayın.
- Başkaları tarafından değiştirilmiş olma olasılığı varsa bu ürünü değiştirmeyin veya kullanmayın.

Çalışma güvenliği



UYARI: Ürünü kullanmadan önce aşağıdaki uyarı talimatlarını okuyun.

- Kişisel koruyucu ekipmanlar kullanın. Bkz. *Kişisel koruyucu ekipman sayfa: 375.*
- Acil bir durumda motoru hızlı bir şekilde nasıl kapatacağınızı öğrenin.
- Ürünü yağmurda veya ıslak koşullarda çalıştırmayın. Ürünün içine su girerse elektrik çarpması riski artar.
- Ürünü çalıştırırken her zaman arkasından durun.
- Motor çalışırken ürünü hiçbir zaman yukarı kaldırmayın. Ürünü kaldırmamız gerekiyorsa motoru durdurun ve aküyü çıkarın.
- Ürünü kullanırken arkaya doğru yürümeyin.
- Ürünü taşımak için yatırımanız gerektiğinde veya çim bulunmayan alanlarda (örneğin çakıl, taş ve asfalttan yapılan yollar) hareket etmeden önce motoru durdurun.
- Motor çalışırken ürünle birlikte koşmayın. Ürünü kullanırken her zaman yürüyün.
- Çalışma sırasında üründeki titreşimler, şu bölümde belirtilen titreşim değerinden farklı olabilir: *Teknik veriler sayfa: 381.* Fark, ürünün kullanım şeklindeki değişikliklerden kaynaklanır. Ürünü sıklıkla veya uzun süre kullanıyorsanız titreşimlerden kaynaklanabilecek yaralanmaları önlemek için düzenli olarak mola verin.

Kullanım için güvenlik talimatları



UYARI: Ürünü kullanmadan önce aşağıdaki uyarı talimatlarını okuyun.

- Nasıl devam etmeniz gerektiği konusunda emin olmadığınız bir durumla karşılaşırsanız bir uzmana danışmalısınız. Bayiniz veya servis atölyenizle iletişime geçin. Yapabileceğinizin ötesinde olduğunu düşündüğünüz hiçbir çalışmayı yapmayın.
- Güvenli bir şekilde hareket edebildiğinizden ve ayakta durabildiğinizden emin olun. Ani hareket etmeniz gerekebileceğini göz önünde bulundurarak çevrenizdeki olası engelleri (kökler, taşlar, dallar, çukurlar vs.) kontrol edin. Eğimli yüzeyde çalışırken çok dikkatli olun.

- Her zaman dengenizi koruyun ve yere sağlam basın. Makineyi kullanırken erişim alanınızın dışındaki yerlere uzanmaya çalışmayın.
- Kulak koruma ekipmanı taktığınızda uyarı sinyallerine veya bağırma seslerine karşı dikkatli olun. Ürün durur durmaz kulak koruma ekipmanınızı mutlaka çıkarın.
- Ürünü açık pencerelerin yakınında çalıştırmayın.
- Çevredeki insanları rahatsız etmemek için akşamın geç saatleri veya sabahın erken saatleri gibi uygun olmayan zamanlarda ürünü kullanmaktan kaçının. Yerel düzenlemelere ve kurallara uyun.
- Ürünü mümkün olan en düşük hava akışıyla kullanın. Tam hava akışını kullanmak nadiren gereklidir ve birçok çalışma prosedürü yarım hava akışında yapılabilir. Düşük hava akışı daha az gürültü ve daha az toz anlamına gelir ve ayrıca toplanan/taşınan çöplerin kontrol altında tutulmasını da kolaylaştırır.
- Ürünü tozlu ortamlarda kullanırken yüzeyi hafifçe nemlendirin.
- Yere yapışmış çöpleri ayırmak için tırmık veya süpürge kullanın.
- Yaprak üflecinin ağızını yere olabildiğince yakın tutun.
- Çevrenize dikkat edin. Ürünü insanlardan, hayvanlardan, oyun alanlarından, arabalardan vb. uzağa yönlendirin.
- Tozlu alanları hafifçe ıslatarak veya püskürtme ekipmanı kullanarak üfleme süresini en aza indirin.
- Rüzgar yönüne dikkat edin. İşinizi kolaylaştırmak için rüzgar yönünde çalışın.
- Ürün anormal şekilde titresemeye başlarsa ürünü durdurun ve aküyü çıkarın.
- Büyük yığınları taşımak için yaprak üfleyciyi kullanmak zaman alır ve gereksiz gürültü yaratır.
- İşiniz bittikten sonra temizlik yapın. Çöplerin bir başkasının bahçesine gitmediğinden emin olun.
- Ürünle birlikte koşmayın.
- Güçlü hava akımları, nesnelere geriye sıçratarak ciddi göz yaralanmalarına neden olabilecek kadar hızlı hareket ettirebilir.
- Savrulan nesnelere dikkat edin. Taşlar, çöpler vs. gözlere fırlatabilir ve körlüğe veya ciddi yaralanmalara neden olabilir.
- Ürünü şarj ederken güvenliği artırmak için bir artık akım cihazı (RCI) kullanın. Operatörleri elektrik arızası meydana gelmesi durumunda korumak için bir artık akım cihazı takılır.
- Bu ürünün öne çıkan özelliklerinden biri düşük titreşim yüküdür. Titreşime aşırı ölçüde maruz kalmak, dolaşım bozukluğu olan kişilerde dolaşım veya sinir sistemi hasarına yol açabilir. Titreşime aşırı maruz kalma belirtileri yaşıyorsanız doktorunuzla iletişime geçiniz. Bu belirtiler arasında uyuşma, his kaybı, karıncalanma, iğnelenme, acı, güç kaybı, cilt renginde veya durumunda değişiklik bulunmaktadır. Bu belirtiler genelde parmaklarda, ellerde veya bileklerde görülür.
- Ürünü yalnızca tasarlandığı amaç için kullanın.
- Karşılaşılabileceğiniz tüm olası durumları ele almak mümkün değildir. Her zaman dikkatli ve sağduyulu olun. Kontrol edemeyeceğinizi düşündüğünüz tüm durumlardan kaçının. Bu talimatları okuduktan sonra çalışma prosedürleri konusunda hala emin olmadığınız noktalar varsa devam etmeden önce bir uzmana danışmalısınız.
- Ürünü tutmak için her zaman sağ/sol elinizi kullanın. Ürünü vücudunuzun yan tarafında tutun.

(Şek. 18)

Kişisel koruyucu ekipman



UYARI: Ürünü kullanmadan önce aşağıdaki uyarı talimatlarını okuyun.

- Ürünü kullanırken daima onaylı kişisel koruyucu ekipmanları kullanın. Kişisel koruyucu ekipmanlar yaralanma riskini tamamen engelleyemez ancak bir kaza durumunda yaralanmanın derecesini azaltır. Bayinizin doğru ekipmanı seçmenize yardımcı olmasını sağlayın.
- Onaylı kulak koruma ekipmanı kullanın.

(Şek. 19)

- Onaylı koruyucu gözlük kullanın. Vizör kullanıyorsanız onaylı koruyucu gözlük de kullanmanız gerekir. Onaylı koruyucu gözlük ABD'de ANSI Z87.1 veya AB ülkelerinde EN 166 standardıyla uyumlu olmalıdır.

(Şek. 20)

- Gerekirse eldiven kullanın.

(Şek. 21)

- Çelik parmak uçlu ve kaymaz tabanlı koruyucu bot kullanın.

(Şek. 22)

- Sağlam kumaştan yapılmış kıyafetler kullanın. Daima kalın ve uzun pantolonlarla uzun kollu kıyafetler kullanın. Çalılara ve dallara takılabilecek bol kıyafetler kullanmayın. Takı takmayın, kısa

(Şek. 16)

- Hava akışını insanlara veya hayvanlara doğrultmayın.
- Aksesuarı veya diğer parçaları takmadan ya da sökmeyen önce motoru durdurun.
- Vücudunuzun tüm bölümlerini sıcak yüzeylerden uzakta tutun.
- Görüş alanınızda değilken ürünü çalışır halde asla yere koymayın.
- Yaprak üfleyci merdiven veya yapı iskelesi üzerindeyken kullanılmamalıdır.

(Şek. 17)

- Bir kaza durumunda yardım isteyemeyecek durumdaysanız ürünü kullanmayın.

pantolon veya sandalet giymeyin. Çıplak ayakla kullanmayın. Saçınızı güvenli bir şekilde omuz hizasının üzerinde toplayın.

- İlk yardım ekipmanını yakında bulundurun.

(Şek. 23)

Ürünün üzerindeki güvenlik araçları



UYARI: Ürünü kullanmadan önce aşağıdaki uyarı talimatlarını okuyun.

- Bu bölümde ürünün güvenlik özellikleri, amacı ve ürünün düzgün çalışması için bakım ve kontrollerin nasıl yürütülmesi gerektiği açıklanmaktadır. Bu parçaların ürününüzün neresinde bulunduğunu görmek için *Ürüne genel bakış sayfa*: 371 başlığı altındaki talimatları okuyun.
- Ürün bakımı doğru olarak yapılmazsa ve servis ve/veya onarım işlemleri profesyonel olarak uygulanmazsa ürünün kullanım ömrü azalabilir ve kaza riski artabilir. Daha fazla bilgiye ihtiyacınız olursa lütfen en yakın servis bayisiyle iletişime geçin.
- Güvenlik bileşenleri hasarlı olan bir ürünü asla kullanmayın. Ürünün güvenlik donanımı bu bölümde açıklandığı gibi kontrol edilmeli ve bakıma alınmalıdır. Ürününüz bu kontrollerden herhangi birini geçemezse onarım için servis noktanıza iletişime geçin.
- Ürünün servis ve onarım işlemlerinin tümü özel eğitim gerektirir. Bu durum özellikle ürünün güvenlik donanımı için geçerlidir. Ürününüz aşağıda açıklanan kontrollerin herhangi birinden başarıyla geçemezse servis noktanıza iletişime geçmeniz gerekir. Herhangi bir ürünümüzü satın aldığınızda profesyonel onarım ve servis hizmetlerinin mevcut bulunduğunu garanti etmekteyiz. Ürününüzü satan bayi bir servis bayisi değilse size en yakın servis noktasının adresini sorun.

Tuş takımını kontrol etme

1. Güç göstergesi (B) yanana kadar ON/OFF düğmesini (A) basılı tutun. (Şek. 24)
2. Uyarı göstergesi (C) yanıyor veya yanıp sönüyorsa *Sorun giderme sayfa*: 380 bölümüne bakın.

Güç tetiğini kontrol etme

- Serbest bir şekilde hareket ettiğinden emin olmak için güç tetiğini bastırın ve serbest bırakın. (Şek. 25)

Akü güvenliği



UYARI: Ürünü kullanmadan önce aşağıdaki uyarı talimatlarını okuyun.

- 40-B series akü önerilir. Aküler yazılım şifresine sahiptir.

- Şarj edilebilir 40-B series aküleri yalnızca ilgili Husqvarna ürünleri için güç kaynağı olarak kullanın. Yaralanmayı önlemek için aküyü başka cihazların güç kaynağı olarak kullanmayın.
- Elektrik çarpması riski. Akü terminallerini anahtarlara, vidalara veya diğer metallere bağlamayın. Bu, aküde kısa devreye neden olabilir.
- Şarj edilebilir olmayan aküleri kullanmayın.
- Akünün hava deliklerine herhangi bir nesne koymayın.
- Aküyü güneş ışığından, ısı kaynaklarından veya açık alevden uzak tutun. Akü yanıklara ve/veya kimyasal yanıklara neden olabilir.
- Aküyü yağmurdan ve ıslak koşullardan uzak tutun.
- Aküyü mikrodalgalardan ve yüksek basınçtan uzak tutun.
- Aküyü parçalarına ayırmaya veya kırmaya çalışmayın.
- Akü asidinin cildinize temas etmesine izin vermeyin. Akü asidi ciltte yaralanmaya, aşınmaya ve yanıklara neden olur. Akü asidi gözünüze kaçarsa gözlerinizi ovmayın ancak suyla en az 15 dakika yıkayın. Akü asidi cildinize temas ederse cildinizi bol miktarda su ve sabunla yıkamanız gerekir. Tıbbi yardım alın.
- Aküyü -10°C (14°F) ile 40°C (104°F) arasındaki sıcaklıklarda kullanın.
- Aküyü veya akü şarj cihazını suyla temizlemeyin. Bkz. *Ürünü, aküyü ve akü şarj cihazını temizleme sayfa*: 379.
- Hasarlı bir aküyü kullanmayın.
- Aküleri çivi, vida veya mücevherat gibi metal nesnelere uzak bir yerde saklayın.
- Aküyü çocuklardan uzakta tutun.

Akü şarj cihazı güvenliği



UYARI: Ürünü kullanmadan önce aşağıdaki uyarı talimatlarını okuyun.

- Güvenlik talimatlarına uyulmaması durumunda elektrik çarpması veya kısa devre riski vardır.
- Ürününüz için verilen başka akü şarj cihazı kullanmayın. 40-B serisi yedek aküleri şarj ederken yalnızca 40-C80 şarj cihazlarını kullanın.
- Akü şarj cihazını parçalarına ayırmaya çalışmayın.
- Hasarlı veya düzgün çalışmayan bir akü şarj cihazını kullanmayın.
- Akü şarj cihazını güç kablosundan tutup kaldırmayın. Akü şarj cihazını duvar prizinden çıkarmak için fişi çekin. Güç kablosunu çekmeyin.
- Tüm kabloları ve uzatma kablolarını sudan, yağdan ve keskin kenarlardan uzak tutun. Kablonun kapı, çit veya benzeri yerlere takılmadığından emin olun.
- Akü şarj cihazını, yanıcı malzemelerin veya korozyona neden olabilecek malzemelerin yakınında kullanmayın. Akü şarj cihazının üstünün kapalı olmadığından emin olun. Duman veya ateş çıkması durumunda akü şarj cihazının fişini çekip çıkarın.

- Aküyü yalnızca kapalı alanda, iyi hava akışı olan ve güneş ışığından uzak bir yerde şarj edin. Aküyü dış mekanda şarj etmeyin. Aküyü ıslak koşullarda şarj etmeyin.
- Akü şarj cihazını yalnızca 5°C (41°F) ile 40°C (104°F) arasındaki sıcaklıklarda kullanın. Şarj cihazını iyi hava akışı olan kuru ve tozsuz bir ortamda kullanın.
- Akü şarj cihazının soğutma deliklerine herhangi bir nesne koymayın.
- Akü şarj cihazında kısa devre oluşabileceği için şarj cihazının terminallerini metal nesnelere bağlamayın.
- Hasarlı olmayan onaylı duvar prizlerini kullanın. Akü şarj cihazı güç kablosunun hasarlı olmadığından emin olun. Uzatma kabloları kullanılıyorsa uzatma kablolarının hasarlı olmadığından emin olun.
- Şarj edilemeyen aküleri akü şarj cihazlarında şarj etmeyin.
- Bakım ve diğer kontrolleri gerçekleştirmeden veya ürünü monte etmeden önce aküyü çıkarın.
- Operatör, yalnızca kullanım kılavuzunda gösterilen bakım ve servis işlemlerini uygulamalıdır. Daha geniş çaplı bakım ve servis için servis bayinizle iletişime geçin.
- Aküyü veya akü şarj cihazını suyla temizlemeyin. Güçlü deterjanlar plastiğe zarar verebilir.
- Bakım yapmamanız ürünün kullanım ömrünü azaltır ve kaza riskini artırır.
- Ürünün güvenlik araçları başta olmak üzere tüm servis ve onarım işlemleri için özel eğitim gerekir. Bakım yaptıktan sonra bu kullanım kılavuzundaki tüm kontroller onaylanmazsa servis bayinizle iletişime geçin. Ürününüz için profesyonel onarım ve servis hizmetinin mevcut olduğunu garanti ederiz.
- Sadece orijinal yedek parça kullanın.

Bakım için güvenlik talimatları



UYARI: Ürün üzerinde bakım yapmadan önce aşağıdaki uyarı talimatlarını okuyun.

Montaj

Giriş



UYARI: Ürünü monte etmeden önce güvenlik bölümünü okuyup anlayın.

Nozülü takma

1. Nozülü, ürünün ön ucuna takın. (Şek. 26)
2. Tık sesini duyana kadar nozülü içeri itin.

Akü şarj cihazını 40-C80 duvara monte etme



DİKKAT: Akü şarj cihazını duvara monte etmek için elektrikli tornavida kullanmayın. Elektrikli tornavida, akü şarj cihazına zarar verebilir.

Çalışma

Giriş



UYARI: Ürünü kullanmadan önce güvenlik bölümünü okuyup anlayın.

Ürünü kullanmadan önce işlev kontrolü yapma

1. Hava girişinde kir ve çatlak olup olmadığını kontrol edin. Bir fırça kullanarak üründeki çim ve yaprakları temizleyin. Bkz. *Hava girişini kontrol etme sayfa: 379.*
2. Ürünün doğru şekilde çalıştığından emin olun.

3. Tüm somun ve vidaları kontrol edin ve sıkı olduklarından emin olun.

Akü



UYARI: Aküyü kullanmadan önce güvenlik bölümünü okuyup anlamalısınız. Akü ve akü şarj cihazına ait kullanım kılavuzunu da okuyup anlamalısınız.

Aküyü ve akü şarj cihazını doğru ortam sıcaklıklarında tutun.

	Ortam sıcaklığı
Ürünün çalıştırılması	-5 °C – 40 °C / 23 °F - 104 °F
Akü şarj etme sıcaklığı	5 °C – 40 °C / 41 °F - 104 °F

Akü LED göstergesi

Ekranı, şarj durumu ve aküyle ilgili sorun olup olmadığı gösterilir. (Şek. 28)

LED göstergesi	Akü durumu (şarj durumu)
	40-B140
4 LED ışık yanıyor	Akü %76 - %100 doludur.
3 LED ışık yanıyor	Akü %51 - %75 doludur.
2 LED ışık yanıyor	Akü %26 - %50 doludur.
1 LED ışık yanıyor	Akü %6 - %25 doludur.
1 LED ışık yanıp sönüyor	Akü %0 - %5 doludur.

Aküyü şarj etme

Aküyü ilk defa kullanacaksanız şarj edin. Yeni bir akünün şarjı %30 seviyesindedir.



DİKKAT: Akü şarj cihazını nominal değerler plakasında belirtilen voltaj ve frekansa sahip bir güç çıkışına bağlayın.

Akü sıcaklığı 50°C'nin/122°F üzerindeyse akü şarj olmaz.

1. Güç kablosunu akü şarj cihazına bağlayın.
2. Akü şarj cihazını topraklı bir prize takın. Şarj LED'i bir kez yanıp söner. (Şek. 29)
3. Aküyü akü şarj cihazına bağlayın. Şarj LED'i yanar. Aküyü en fazla 24 saat boyunca şarj edin. (Şek. 30)
4. Akü göstergesi düğmesine basın; tüm LED göstergeler yanarsa akü tamamen şarj olmuştur.
5. Akü şarj cihazının prizle bağlantısını kesmek için elektrik fişini çekin. Güç kablosunu çekmeyin.
6. Aküyü, akü şarj cihazından çıkarın.

Aküyü ürüne bağlama



UYARI: Ürün için yalnızca önerilen Husqvarna akü kullanın.

1. Akünün tamamen şarj edilmiş olduğundan emin olun.
2. Bir tık sesi duyuncaya kadar aküyü akü bölmesinin içine doğru itin. Akü kolayca hareket etmemelidir. Aksi halde doğru şekilde takılmamıştır. (Şek. 31)

Ürünü çalıştırma

1. Yeşil LED yanana kadar çalıştırma düğmesini basılı tutun. (Şek. 32)
2. Ürünü çalıştırmak için güç tetiğini kullanın.

Çalışmanız için optimum hava akışını ayarlama

- Hava akışını ayarlamak için hız kontrolü düğmesine basın. 3 hava akışı kademesi vardır. (Şek. 33)

Ürünü durdurma

1. Güç tetiğini serbest bırakın.
2. Yeşil LED sönene kadar güç düğmesini basılı tutun.
3. Serbest bırakma düğmesine basın ve aküyü çekip çıkarın. (Şek. 34)

Otomatik kapatma işlevi

Üründe, kullanılmadığında ürünü durduran bir otomatik kapatma işlevi vardır. Yeşil LED güç göstergesi söner ve ürün 3 dakika sonra durur.

Bakım

Giriş



UYARI: Herhangi bir bakım işlemi yapmadan önce güvenlik bölümünü okuyup anlamalısınız.

Bakım takvimi



UYARI: Bakım yapmadan önce aküyü çıkarın.

Ürün üzerinde yapmanız gereken bakım adımları aşağıda listelenmiştir.

Bakım	Günlük	Haftalık	Aylık
Ürünü temiz ve kuru bir bezle temizleyin. Su kullanmayın.	X		
Tutma yerlerinin kuru ve temiz olduğundan emin olun.	X		
Tuş takımını kontrol edin.	X		
Güç tetiğini kontrol edin.	X		
Somun ve vidaların sıkı olduğundan emin olun.	X		
Akünün zarar görmemiş olduğundan emin olun.	X		
Akü şarjını kontrol edin.	X		
Aküdeki serbest bırakma düğmelerinin hasarlı olmadıklarından ve aküyü ürüne sabitlediğinden emin olun.	X		
Akü şarj cihazının zarar görmediğinden emin olun.	X		
Tüm kaplinlerin, bağlantıların ve kabloların temiz olduğundan ve hasarlı olmadığından emin olun.		X	
Akü, akü şarj cihazı ve ürün üzerindeki bağlantıları kontrol edin.			X

Hava girişini kontrol etme

- Hava girişinde tıkanıklık olmadığından emin olun. (Şek. 35)
- Ürünü durdurun ve gerekiyorsa istenmeyen malzemeyi çıkarın.



DİKKAT: Tıkalı bir hava girişi, ürünün üfleme kapasitesini azaltır ve motorun çalışma sıcaklığını artırır. Motor aşırı ısındığı için bu durum motor arızasına neden olabilir.

Aküyü ve akü şarj cihazını kontrol etme

- Aküyü çatlak gibi hasarlara karşı kontrol edin.

- Akü şarj cihazını çatlak gibi hasarlara karşı kontrol edin.
- Akü şarj cihazının bağlantı kablosunun hasarlı olmadığını ve üzerinde çatlaklar bulunmadığını kontrol edin.

Ürünü, aküyü ve akü şarj cihazını temizleme

- Kullandıktan sonra ürünü kuru bir bezle temizleyin.
- Aküyü ve akü şarj cihazını kuru bir bezle temizleyin. PİL kılavuz raylarını temiz tutun.
- Aküyü, akü şarj cihazına veya ürüne yerleştirmeden önce akü ve akü şarj cihazının terminallerinin temiz olduğundan emin olun.

Sorun giderme

Tuş takımı

LED Ekran	Olası arızalar	Olası çözümler
Kırmızı hata LED'i yanıp sönüyor	Sıcaklık değişimi.	Ürünün soğumasını bekleyin.
	Akü konektörlerinde kir var veya fan tıkanmış.	Basınçlı hava veya yumuşak bir fırça ile temizleyin.
	Akü boştur.	Aküyü şarj edin.
	Akü hasarlıdır.	Servis nokتانızla görüşün.

Akü

LED Ekran	Olası arızalar	Olası çözümler
Yeşil LED yanıp sönüyor.	Düşük akü voltajı.	Aküyü şarj edin.
Hata LED'i yanıp sönüyor.	Sıcaklık değişimi.	Aküyü -5 °C – 40 °C / 23 °F - 104 °F arasındaki sıcaklıklarda kullanın.
	Voltaj çok yüksek.	Şebeke voltajının, ürünün nominal değerler plakasında belirtilen voltajla uyumlu olduğundan emin olun. Aküyü, akü şarj cihazından çıkarın.
Hata LED'i yanıyor.	Hücre farkı çok fazladır (1 V).	Servis bayinize danışın.

Akü şarj cihazı

LED Ekran	Olası arızalar	Olası çözümler
Şarj LED göstergesi kırmızı renkte sabit yanıyor.	Akü şarj cihazı hasarlıdır.	Servis bayinize danışın.
Şarj LED göstergesi yeşil renkte yanıp sönüyor.	Akü sıcaklığı şarj etme aralığının dışındadır.	Akünün soğumasını bekleyin veya ısınmasını sağlayın. Akü doğru sıcaklığa geldiğinde tekrar kullanılabilir veya şarj edilebilir. Akü şarj cihazını 5 °C – 40 °C / 41 °F - 104 °F arasındaki ortam sıcaklığında kullanın.
Şarj LED göstergesi kırmızı renkte yanıp sönüyor.	Akü hasarlıdır.	Servis bayinize danışın.

Taşıma, depolama ve atma

Taşıma ve depolama

- Ürün ile birlikte verilen Lityum İyon aküler, Tehlikeli Maddeler Yönetmeliklerinin gereksinimlerini karşılamaktadır.
- Üçüncü taraflar ve aracı nakliye şirketleri de dahil olmak üzere, ticari amaçlı taşıma işlemlerinde ambalaj ve etiketler üzerindeki özel gereksinimlere uyun.
- Ürünü göndermeden önce tehlikeli maddeler konusunda özel eğitim almış bir kişiyle görüşün. Yürürlükteki tüm ulusal yönetmeliklere uyun.
- Aküyü bir ambalaja yerleştireceğiniz zaman açık kontakları bantlayın. Aküyü ambalaj içine hareket etmesini engelleyecek şekilde sıkıca yerleştirin.
- Depolama veya taşıma için aküyü çıkarın.
- Aküyü ve akü şarj cihazını nem ve don olmayan kuru bir yerde saklayın.
- Aküyü statik elektriğin oluşabileceği yerlerde saklamayın. Aküyü metal bir kutuda tutmayın.
- Aküyü, sıcaklığın 5°C / 41°F and 25°C / 77°F arasında olduğu ve doğrudan güneş ışığı almayan bir yerde depolayın.
- Akü şarj cihazını, sıcaklığın 5 °C/41 °F and 45°C/ 113°F arasında olduğu ve doğrudan güneş ışığı almayan bir yerde depolayın.

- Akü şarj cihazını yalnızca ortam sıcaklığı 5 °C – 40 °C / 41 °F - 104 °F aralığında kullanın.
- Uzun süreli depolamadan önce aküyü %30-%50 arasındaki bir seviyeye kadar şarj edin.
- Ürünü sıcaklığın -40°C/-40°F ile +60°C/140°F arasında olduğu bir yerde depolayın.
- Akü şarj cihazını, kapalı ve kuru bir alanda saklayın.
- Depolama sırasında aküyü akü şarj cihazından uzakta tutun. Çocukların ve diğer izinsiz kişilerin ekipmana dokunmasına izin vermeyin. Ekipmanı kilitleyebileceğiniz bir yerde tutun.
- Uzun süreli depolamadan önce ürünü temizleyin ve ürüne eksiksiz bir bakım yapın.
- Taşıma sırasında ürünü güvenli bir şekilde sabitleyin.

Akü, akü şarj cihazı ve ürünü atma

Ürün veya ürün ambalajı üzerinde bulunan semboller, bu ürünün evsel atık olmadığını belirtir. Ürünü, elektrikli ve elektronik ekipmanlar için bir geri dönüşüm istasyonunda geri dönüştürün. Bu, çevrenin ve insanların zarar görmemesine yardımcı olur.

Ürününüzü geri dönüştürme hakkında daha fazla bilgi için yerel yetkililer, evsel atık hizmeti veya bayiniz ile görüşün.

Teknik veriler

Teknik veriler

	122iB
Motor	
Motor tipi	PMDC
Ağırlık	
Akü süz ağırlık, kg	1,9
Gürültü emisyonları, ses düzeyleri, ^{79 80}	
Ses gücü düzeyi, ölçülmüş dB (A)	92,2
Ses gücü düzeyi, garantili L _{WA} dB (A)	93
EN IEC 62841-4-6 ve ISO 22868'e göre ölçülen, operatörün kulağındaki eş değer ses basıncı düzeyi, dB (A):	82,8

⁷⁹ 2000/14/AT sayılı AT direktifi uyarınca ortamda ses gücü (L_{WA}) olarak ölçülen gürültü emisyonlarının tipik istatistiksel dağılımı (standart sapma) 1,0 dB (A) şeklindedir.

⁸⁰ Makinenin eş değer ses basıncı düzeyi için bildirilen verilerdeki tipik istatistiksel dağılım (standart sapma) 1,3 dB (A) şeklindedir.

	122iB
Titreşim düzeyleri ⁸¹	
EN IEC 62841-4-6 uyarınca ölçülen, tutma yerlerindeki titreşim düzeyleri, m/sn ²	1,13
Fan performansı	
Tepe hacimsel debi, m ³ /sa	865
Tepe teorik hız, m/sn	53
Üfleme kuvveti, N	11

Gürültü ve titreşim verileri, nominal maksimum hız temel alınarak belirlenir.

Not: Beyan edilen toplam titreşim değeri ve beyan edilen gürültü emisyonu değerleri standart test yöntemine göre hesaplanmıştır ve bir aleti başka bir aletle karşılaştırmak için kullanılabilir.

Not: Beyan edilen toplam titreşim değeri ve beyan edilen gürültü emisyonu değerleri, ön maruz kalma değerlemelerinde de kullanılabilir.

Ürün için onaylı aküler

Akü	40-B140
Tip	Lityum iyon
Akü kapasitesi, Ah	Akü nominal değerler çıkartmasına başvurun
Nominal voltaj, V	36
Ağırlık, kg / lb	1,25 / 2,76

Onaylı akü şarj cihazları

Akü şarj cihazı	40-C80
Giriş voltajı, V	100-240
Frekans, Hz	50-60
Güç, W	72
Çıkış voltajı, V d.c./Amper, A	43 / 1,6

⁸¹ Titreşim düzeyi için bildirilen verilerdeki tipik istatistik dağılım (standart sapma) 1,5 m/sn² şeklindedir.

Uyumluluk Bildirimi

AB Uyumluluk Bildirimi

Biz, **Husqvarna AB**, SE-561 82 Huskvarna, İSVEÇ, tel: +46-36-146500 olarak tek sorumlu vasfıyla ürüne ilişkin aşağıdaki beyanlarda bulunmaktayız:

Açıklama	Aküyle çalışan el tipi üfleyici
Marka	Husqvarna
Tip/Model	122iB
Kimlik	2025 ve sonrası tarihli seri numaraları

aşağıdaki düzenlenmiş AB direktifleri ve yönetmelikleriyle uyumludur:

Düzenleme	Açıklama
2006/42/AT	"makinelerle ilgili"
2014/30/AB	"elektromanyetik uyumlulukla ilgili"
2011/65/AB	"elektrikli ve elektronik ekipmanlarda belirli tehlikeli maddelerin kullanımının kısıtlanmasıyla ilgili"
2000/14/AT	"çevredeki gürültü emisyonlarıyla ilgili"

ve aşağıdaki standartlar ve/veya teknik özellikler uygulanmıştır: EN 62841-1:2015/A11:2022, EN IEC 62841-4-6:2024/A11:2024, EN IEC 63000:2018

EN IEC 55014-1:2021, EN IEC 55014-2:2021

2000/14/AT direktifi, Ek V ile uyumlu olarak, beyan edilen ses değerleri için bkz. *Teknik veriler sayfası: 381.*

Husqvarna, 2025-11-03



Claes Losdal, AR-GE Müdürü, Husqvarna AB

Teknik dokümantasyon sorumlusu

Türk ithalat şirketi daha fazla bilgi için temas edilecek:

Çullas Orman Bahçe ve Tarım Mak. San. Tic. A.Ş.

Yalı Mah. Ziya Gökalp Cad. No:17

Maltepe – 34844 İstanbul / Türkiye

Telefon: +90 216 519 88 82

Faks: +90 216 519 88 78

info@cullas.com.tr



Зміст

Вступ.....	384	Усунення несправностей.....	394
Безпека.....	385	Транспортування, зберігання й утилізація.....	395
Збирання.....	391	Технічні характеристики.....	396
Експлуатація.....	392	Декларація відповідності.....	398
Технічне обслуговування.....	393		

Огляд виробу

(Мал. 1)

1. Насадка повітродува
2. Відпустіть кнопку насадки повітродува
3. Кнопка панель
4. Механічний пусковий пристрій
5. Ручка
6. Кнопка ввімкнення / вимкнення живлення
7. Індикатор живлення
8. Індикатор попередження (світлодіод помилки)
9. Кнопка регулювання швидкості
10. Опори
11. Кнопка індикатора стану акумулятора
12. Стан акумулятора
13. Попереджувальний індикатор акумулятора
14. Кнопка для виймання акумулятора
15. Акумулятор
16. Індикатор живлення / попереджувальний індикатор
17. З'єднувач
18. Зарядний пристрій 40-C80
19. Посібник користувача

(Мал. 5) ПОПЕРЕДЖЕННЯ. Не підпускайте сторонніх осіб.

(Мал. 6) Захищайте від дощу.

(Мал. 7) Етикетка з інформацією щодо шумових викидів у навколишнє середовище відповідно до вимог директив і нормативних актів ЄС та Закону про збереження навколишнього середовища (контроль шуму) 2017 р. Нового Південного Уельсу. Гарантований рівень звукової потужності виробу зазначено в розділі *Технічні характеристики на сторінці 396* і на етикетці.

(Мал. 8) Цей виріб і його пакування не можна утилізувати разом із побутовими відходами. Утилізацію необхідно проводити на підприємстві з переробки відходів електричного й електронного обладнання.

(Мал. 9) Виріб відповідає належним вимогам директив ЄС.

(Мал. 10) Номінальна напруга, В

(Мал. 11) Постійний струм.

ууу wwxоооо | У паспортній таблиці вказано серійний номер. **уууу** – це рік виготовлення, **ww** – тиждень виготовлення, а **оооооо** – порядковий номер.

Опис виробу

Husqvarna 122iB є моделлю повітродува, оснащеного електродвигуном.

Призначення

Цей виріб – надійний і простий у використанні портативний повітродув, придатний для всіх завдань із видування та загального прибирання в будинку й саду.

Символи на виробі

(Мал. 2) УВАГА! Цей виріб може бути небезпечним і здатний спричинити тяжкі травми або смерть оператора чи сторонніх осіб. Будьте обережні й використовуйте виріб належним чином.

(Мал. 3) Перед початком експлуатації виробу уважно прочитайте посібник користувача й переконайтеся в тому, що ви зрозуміли наведені в ньому вказівки.

(Мал. 4) Користуйтеся відповідними засобами захисту очей.

Зверніть увагу: Інші позначення на виробі стосуються спеціальних сертифікатів для певних країн чи регіонів.

Позначення на акумуляторі та/або на заряджальному пристрої

(Мал. 12) Захисний ізолювальний трансформатор.

(Мал. 13) Заряджальний пристрій треба використовувати та зберігати лише в приміщенні.

(Мал. 14) Подвійна ізоляція.

Утилізувати виріб треба на підприємстві з перероблення відходів електричного й електронного обладнання. (Лише для країн Європи.)

(Мал. 15)

- виріб було неправильно відремонтовано;
- виріб було відремонтовано із використанням деталей, виготовлених не виробником або не затверджених ним;
- виріб обладнано аксесуаром, виготовленим не виробником або не затвердженим ним;
- виріб було відремонтовано в неавторизованому сервісному центрі або неавторизованою компанією;

Пошкодження виробу

Ми не несемо відповідальності за пошкодження, якщо:

Виробник

Husqvarna AB

Drottninggatan 2, SE-561 82 Huskvarna

Безпека

Визначення щодо безпеки

Попередження, застереження й примітки служать для наголошення на особливо важливих положеннях посібника.



ПОПЕРЕДЖЕННЯ: Вказує на те, що в разі порушення інструкцій, наведених у цьому посібнику, існує небезпека поранення або смерті оператора чи інших осіб, що знаходяться поруч.



УВАГА: Вказує на те, що в разі порушення інструкцій, наведених у цьому посібнику, існує небезпека пошкодження виробу, інших матеріалів або навколишніх об'єктів.

Зверніть увагу: Використовується для надання додаткової інформації щодо певної ситуації.

Загальні вказівки з техніки безпеки під час роботи з електроінструментами



ПОПЕРЕДЖЕННЯ: Прочитайте всі вказівки з техніки безпеки та інші інструкції, надані разом із цим виробом. Недотримання наведених далі інструкцій може призвести до ураження електричним струмом, пожежі та/або тяжких травм.

Збережіть усі попереджувальні знаки та інструкції для їх використання в майбутньому.

Зверніть увагу: Термін «електроінструмент», що використовують у вказівках з техніки безпеки, стосується електроінструмента, який працює від електромережі (з кабелем живлення), або електроінструмента, який працює на акумуляторі (без кабелю живлення).

Безпека в робочій зоні

- **Забезпечуйте порядок та добре освітлення в робочій зоні.** Безлад і погане освітлення можуть призвести до нещасних випадків.
- **Не використовуйте електроінструмент у вибухонебезпечних місцях, де є горючі рідини, гази або пил.** Електроінструменти створюють іскри, які можуть підпалити пил або пари.
- **Під час використання електроінструмента тримайте на відстані дітей та інших осіб.** Ви можете відволіктися та втратити контроль.

Безпека під час використання електроінструментів

- **Штепсельні вилки електроінструмента повинні підходити до розетки. У жодному разі не змінюйте вилку будь-яким чином. Не використовуйте вилки-перехідники разом із заземленими електроінструментами.** Незмінні вилки та відповідні розетки зменшують ризик враження електричним струмом.
- **Уникайте тілесного контакту із заземленими поверхнями, такими як труби, радіатори, кухонні плити та холодильники.** Існує підвищений ризик враження електричними струмом, якщо ваше тіло заземлене.
- **Не допускайте потрапляння дощової води або вологи на електроінструменти.** Потрапляння води у виріб збільшує загрозу ураження електричним струмом.

- Використовуйте кабель лише за призначенням. За жодних умов не використовуйте кабель для перенесення чи перетягування електроінструмента й не тягніть за нього, щоб вийняти вилку з розетки. Тримайте кабель подалі від джерела тепла, мастила, гострих країв або рухомих деталей. Пошкоджений чи заплутаний кабель збільшує ризик ураження електричним струмом.
- Якщо Ви працюєте з електроінструментом під відкритим небом, використовуйте тільки кабелі-подовжувачі, які призначені для робіт під відкритим небом. Використання кабелю, придатного для застосування надворі, зменшує ризик ураження електричним струмом.
- Якщо не можна уникнути експлуатації електроінструмента в умовах вологості, використовуйте автоматичний запобіжний вимикач, що спрацьовує при появі струму витoku. Використання ПЗВ знижує ризик ураження електричним струмом.

Особиста безпека

- Будьте уважні під час використання електроінструмента й керуйтеся здоровим глуздом. Не використовуйте електроінструмент, коли ви стомлені або перебуваєте під впливом наркотиків, алкоголю або лікарських засобів. Одна мить неухважності під час використання електроінструмента може призвести до серйозних травм.
- Використовуйте засоби індивідуального захисту. Обов'язково необхідно користуватися засобами захисту для очей. Захисне спорядження, наприклад респіратор, черевки з нековзною підошвою, каска або захисні навушники за використання у відповідних умовах зменшують ризик травмування.
- Запобігайте випадковому запуску. Переконайтеся, що вимикач перебуває у вимкненому положенні, перш ніж підключати електроінструмент до джерела живлення й/або акумуляторного блоку, підняти або переносити його. Якщо під час перенесення електроінструмента ви тримаєте палець на перемикачі або підключаєте пристрій до електроживлення, коли перемикач перебуває в положенні «увімкнено», це може призвести до нещасного випадку.
- Перед вмиканням електроінструменту вийміть регульовані інструменти або гайковий ключ. Інструмент або ключ, які знаходяться в частині електроінструмента, що обертається, можуть призвести до травм.
- Не тягніться. Завжди дотримуйтеся належних дистанцій і балансування. Завдяки цьому ви зможете краще контролювати електроінструмент у несподіваних ситуаціях.
- Одягайтеся правильно. Не вдягайте просторий широкий одяг, не надягайте на себе ювелірни

вироби. Тримайте волосся й одяг подалі від рухомих частин. Просторий широкий одяг, ювелірни вироби або довге волосся можуть потрапити в рухомі деталі.

- У разі наявності обладнання з видалення й збору пилу переконайтеся в тому, що воно під'єднано та використовується правильно. Використання обладнання для збору пилу зменшує ризики, поєднані з пилом.
- Досвід роботи, набутий упродовж регулярного використання цього виробу, не є підставою для недбалого експлуатації виробу й нехтування технікою безпеки. Необережні дії можуть миттєво призвести до тяжких травм.

Застосування електроінструмента та поведіння з ним

- Не перевантажуйте електроінструмент. Використовуйте для своєї роботи тільки електроінструмент, який призначений для цього. З відповідним електроінструментом Ви працюватимете краще й безпечніше в зазначеному діапазоні потужності.
- Не використовуйте електроінструмент, вимикач якого зіпсований. Інструмент, який не можна ввімкнути або вимкнути перемикачем, є небезпечним і підлягає ремонту.
- Коли ви збираєтеся виконувати будь-які налаштування, замінювати приладдя або залишати електроінструмент на зберігання, спочатку витягніть штекер із розетки живлення чи змінний акумуляторний блок із електроінструмента. Такі запобіжні заходи з техніки безпеки допоможуть запобігти випадковому запуску електроінструмента.
- Зберігайте електроінструменти, якими Ви не користуєтесь, поза досяжністю дітей. Не дозволяйте особам, які не обізнані з експлуатацією пристроїв або наданими інструкціями, користуватися ними. Електроінструменти є небезпечними, якщо їх використовують недосвідчені особи.
- Виконуйте технічне обслуговування електроінструментів і приладдя. Перевіряйте електроінструмент на предмет зміцнення чи вигину рухомих деталей, поломки деталей та будь-якого іншого стану, що може негативно позначитися на його роботі. Перед використанням виробу відремонтуйте пошкоджені деталі. Багато аварій трапляється через погане обслуговування електроінструментів.
- Підтримуйте різальні елементи електроінструмента нагостреними й чистими. Належно доглянуті різальні елементи з гострими різальними кантами менше застрягають та ними легше керувати.
- Використовуйте електроінструмент, комплектуючі, робочий інструмент тощо відповідно до цих вказівок, беручи до уваги умови праці й вид робіт. Експлуатація

електроінструментів у цілях, не зазначених в інструкції, може призвести до виникнення небезпечних ситуацій.

- **Рукоятки та поверхні для тримання мають бути сухими, чистими й знежиреними.** Слизькі ручки та поверхні захвату зменшують надійність керування й контролю електроінструмента в непередбачуваних ситуаціях.

Використання акумуляторного обладнання та догляд за ним

- **Заряджати акумулятор треба виключно за допомогою зарядного пристрою, зазначеного виробником.** Використання зарядного пристрою, призначеного для роботи з акумуляторами одного типу, з акумуляторами іншого типу може призвести до пожежі.
- **В електроінструментах застосовуйте тільки передбачені для них акумулятори.** Використання акумуляторних батарей інших типів може призвести до травмування чи пожежі.
- **Якщо акумуляторний блок не використовується, слід тримати його подалі від металевих предметів, таких як скріпки, монети, ключі, цвяхи, гвинти й інші дрібні металеві предмети, які можуть з'єднати один контакт батареї з іншим.** Замикання контактів акумулятора може призвести до опіків або пожежі.
- **У разі неправильного застосування з акумулятора може випліскуватися рідина; уникайте контакту з нею.** При випадковому контакті промийте місце контакту водою. В разі потрапляння рідини в очі на додаток до їхнього інтенсивного промивання зверніться по медичну допомогу. Рідина з акумуляторної батареї може викликати подразнення та опіки.
- **Не використовуйте акумуляторну батарею або електроінструмент, якщо вони пошкоджені або в їхню конструкцію внесено зміни.** Пошкоджені або модифіковані акумулятори працюють нестабільно: вони можуть зайнятися, вибухнути або іншим чином травмувати оператора.
- **Тримайте акумуляторну батарею та електроінструмент подалі від джерел відкритого полум'я та високих температур.** Під впливом вогню або температури понад 130 °C (265 °F) може статися вибух.
- **Дотримуйтесь інструкцій із заряджання і за жодних обставин не заряджайте акумуляторну батарею або електроінструмент за межами температурного діапазону, наведеного в інструкції з експлуатації.** Неналежне заряджання за температури поза межами зазначеного діапазону може пошкодити акумулятор і підвищує ризик займання.

Обслуговування

- **Свій електроінструмент ремонтуйте тільки в кваліфікованих спеціалістів і лише з використанням оригінальних деталей.** Це

забезпечить гарантію збереження безпеки електроінструмента.

- **За жодних умов не виконуйте технічне обслуговування пошкоджених акумуляторних блоків.** Технічне обслуговування акумуляторних блоків мають виконувати лише спеціалісти виробника або вповноваженого постачальника послуг.

Попередження про небезпеку під час експлуатації садового повітродува

- **Не використовуйте садовий повітродув за поганих погодних умов, особливо якщо є ризик удару блискавки.** Недотримання цієї вимоги підвищує ризик ураження блискавкою.
- **Використовуйте засоби захисту органів зору.** Належне захисне спорядження зменшить ризик отримання травм.
- **Під час роботи із садовим повітродувом завжди використовуйте захисне взуття, яке не ковзає.** Не використовуйте садовий повітродув босоніж або у відкритому взутті. Це дасть змогу зменшити ризик травмування ніг.
- **Не надягайте вільний одяг або такі елементи одягу, як шарфи, шнурки, ланцюжки, краватки тощо, які можуть потрапити в отвори повітрозабірника.** Зав'яжіть або накрийте довге волосся, щоб воно не потрапило в отвори повітрозабірника. Якщо будь-який із цих предметів потрапить у отвори повітрозабірника, це може збільшити ризик отримання травми.
- **Не пускайте сторонніх осіб у робочу зону садового повітродува.** Викинуте сміття може збільшити ризик отримання травм.
- **Ніколи не спрямовуйте насадку повітродува в бік людей, домашніх тварин або в бік вікон.** Будьте особливо обережні, працюючи поблизу твердих об'єктів, як-от дерева, автомобілі та стіни, від яких сміття може рикошетити. Сміття, що відскакує, може пошкодити майно й збільшити ризик отримання травм.
- **Не використовуйте садовий повітродув для здування матеріалу, що горить або димить, наприклад сигарет, сірників чи горячого попелу.** Ці джерела займання можуть збільшити ризик пожежі.
- **Не торкайтеся вентилятора, поки він рухається.** Вимкніть садовий повітродув і зачекайте, доки вентилятор зупиниться, перш ніж знімати якусь деталь, яка відкриває доступ до вентилятора. Це дасть змогу зменшити ризик травмування рухомими деталями.
- **Під час видалення застряглого сміття або обслуговування садового повітродува переконайтеся, що перемикач живлення перебуває у вимкненому положенні.** Неочікуваний запуск садового повітродува під час обслуговування чи видалення застряглого матеріалу може призвести до тяжких травм.

Загальні правила техніки безпеки



ПОПЕРЕДЖЕННЯ: Перш ніж розпочати використання виробу, уважно прочитайте наведені нижче попередження.

- Цей виріб може бути небезпечним у разі неправильного або недбалого використання. Порушення правил техніки безпеки може призвести до травм або смерті.
- Під час роботи цього виробу утворюється електромагнітне поле. Це поле може за деяких умов взаємодіяти з активними чи пасивними медичними імплантатами. Щоб зменшити ризик тяжких або смертельних травм, рекомендуємо особам із медичними імплантатами проконсультуватися зі своїм лікарем і виробником медичного імплантату перед початком експлуатації цього виробу.
- Завжди будьте обережні й керуйтеся здоровим глуздом. Якщо ви маєте сумніви щодо того, як користуватися виробом у конкретній ситуації, припиніть роботу й проконсультуйтеся з дилером Husqvarna.
- Пам'ятайте, що оператор несе відповідальність за нещасні випадки, у результаті яких постраждали інші особи або їхнє майно.
- Тримайте пристрій у чистоті. Переконайтеся, що знаки та наклейки читабельні.
- У жодному разі не дозволяйте користуватися приладом дітям або людям, які не ознайомилися із цим посібником. Вік оператора може обмежуватися місцевими нормами.
- Завжди наглядуйте за особами з обмеженими фізичними чи розумовими можливостями, які використовують виріб. Біля виробу, що працює, має завжди перебувати відповідальна доросла особа.
- Забороняється використовувати виріб, якщо ви втомлені, хворі, чи перебуваєте під впливом наркотиків, алкоголю або медикаментів. Ці фактори мають негативний вплив на ваш зір, зосередженість, свідомість і координацію рухів.
- Не використовуйте виріб, який пошкоджений або працює неналежним чином.
- Заборонено вносити зміни в конструкцію виробу чи використовувати виріб, якщо є підозра, що його було змінено сторонніми особами.

Техніка безпеки



ПОПЕРЕДЖЕННЯ: Перш ніж розпочати використання виробу, уважно прочитайте наведені нижче попередження.

- Використовуйте засоби індивідуального захисту. Дивіться розділ *Засоби індивідуального захисту на сторінці 389*.
- Дізнайтеся, як швидко зупинити двигун в екстреній ситуації.
- Не використовуйте виріб під дощем або в умовах підвищеної вологості. Потрапляння води у виріб збільшує загрозу ураження електричним струмом.
- Під час роботи з виробом завжди залишайтеся позаду нього.
- Забороняється піднімати виріб, коли двигун увімкнений. Якщо потрібно підняти виріб, спочатку зупиніть двигун і вийміть акумулятор.
- Не рухайтесь у зворотному напрямку під час роботи з виробом.
- Коли потрібно нахилити виріб для перенесення або перед його переміщенням ділянку без трави, як-от асфальтом чи брусчаткою, вимикайте двигун.
- Не бігайте з виробом, коли двигун увімкнений. Під час роботи з виробом необхідно ходити зі звичайною швидкістю.
- Рівень вібрації виробу під час роботи може відрізнятися від заявленого в розділі *Технічні характеристики на сторінці 396*. Відмінність зумовлена різними умовами використання виробу. Якщо ви використовуєте виріб часто або впродовж довгого часу, регулярно робіть перерви, щоб уникнути травмування внаслідок вібрації.

Правила техніки безпеки під час використання виробу



ПОПЕРЕДЖЕННЯ: Перш ніж розпочати використання виробу, уважно прочитайте наведені нижче попередження.

- Якщо виникне ситуація, коли ви не певні щодо своїх подальших дій, слід спитати поради у фахівця. Зв'яжіться з продавцем або центром обслуговування. Намагайтеся не робити того, що, на вашу думку, ви зробите не в змозі.
- Переконайтеся, що ви можете безпечно стояти й рухатися. Перевірте, чи немає навколо можливих перешкод (коріння, каміння, гілки, рови тощо) на випадок, якщо треба буде різко переміститися. Будьте дуже уважні, працюючи на схилах.
- Завжди зберігайте рівновагу й стійке положення. Не тягніться.
- Працюючи в захисних навушниках, прислухайтеся до попереджувальних сигналів і окликів. Коли виріб зупиниться, одразу зніміть захисні навушники.
- Не використовуйте виріб біля відкритих вікон.
- Виявляйте повагу до людей, що живуть поблизу – не використовуйте виріб пізно ввечері чи рано вранці. Дотримуйтеся місцевих норм і законів.

- Використовуйте виріб на мінімально необхідній потужності. Максимальна потужність потрібна нечасто, і більшість робочих процедур можна виконувати на середній потужності. Що меншу встановлено потужність, то менше виріб створює шуму й менше пилу піднімає. Крім того, у збоку випадку легше контролювати переміщення/ збирання сміття.
- У разі використання виробу в умовах запиленості зволожите поверхню.
- Сміття, що пристало до землі, прибирайте за допомогою граблів або щітки.
- Тримайте отвір повітродува максимально близько до землі.
- Пильуйте, що відбувається довкола. Не спрямовуйте виріб у бік осіб, тварин, дитячих майданчиків, автомобілів тощо.
- Зменшуйте тривалість роботи, змочуючи невеликою кількістю води пильні ділянки або використовуючи обладнання для розпилення.
- Стежте за напрямком вітру. Ставайте за напрямком вітру.
- Якщо виріб починає незвично вібрувати, зупиніть його й вийміть акумулятор.
- Переміщення за допомогою повітродува великих куп потребує багато часу та створює зайвий шум.
- Прибирайте після роботи. Переконайтеся, що ви не задули сміття в чужий сад.
- Не бігайте з виробом.
- Потужні струмені повітря здатні переміщувати предмети з такою швидкістю, що ті можуть відскочити від поверхонь і спричинити серйозні пошкодження очей.

(Мал. 18)

(Мал. 18)

Засоби індивідуального захисту



ПОПЕРЕДЖЕННЯ: Перш ніж розпочати використання виробу, уважно прочитайте наведені нижче попередження.

(Мал. 16)

- Не спрямовуйте струмінь повітря в бік людей чи тварин.
- Переш ніж установлювати або знімати аксесуари чи інші компоненти, зупиніть двигун.
- Не торкайтеся гарячих поверхонь.
- Класти працюючий виріб на землю можна лише за умови, що його добре видно.
- Повітродув заборонено використовувати, стоячи на драбині чи риштуванні.

(Мал. 17)

- Не користуйтеся виробом, якщо в разі нещасного випадку у вас не буде можливості покликати на допомогу.
- Остерігайтеся предметів, що відскакують. Каміння, сміття тощо може відскочити й потрапити в очі, спричинивши сліпоту чи серйозну травму.
- Під час заряджання виробу використовуйте пристрій захисного вимкнення (ПЗВ) для підвищення безпеки. Пристрій захисного вимкнення встановлюється для захисту оператора від ураження електричним струмом.

- Цей виріб відзначається низьким вібраційним навантаженням. У людей, які мають погіршений кровообіг, надмірна вібрація може призвести до пошкодження нервової системи або системи кровообігу. Якщо у вас проявляються симптоми надмірного впливу вібрації, зверніться до лікаря. До таких симптомів належать: оніміння, утрата чутливості, пощипування, поколювання, занепад сил, зміни кольору або стану шкіри. Як правило, ці симптоми проявляються в пальцях, руках і зап'ястях.
- Використовуйте виріб тільки за призначенням.
- Неможливо передбачити в посібнику всі ситуації, які можуть виникнути під час використання пристрою. Завжди будьте обережні та керуйтеся здоровим глуздом. Уникайте завдань, які виходять за межі ваших можливостей. Якщо після ознайомлення з інструкціями у вас усе ще залишається сумнів щодо процедур використання інструмента, перед продовженням необхідно проконсультуватися зі знавцем.
- Завжди тримайте виріб правою / лівою рукою. Тримайте виріб збоку від себе.

(Мал. 19)

- Під час роботи з виробом завжди використовуйте сертифіковані засоби індивідуального захисту. Засоби індивідуального захисту не можуть повністю усунути небезпеку травмування, але в разі нещасного випадку знизять ступінь тяжкості травми. Дозвольте дилеру допомогти вам із вибором підходящого обладнання.
- Користуйтеся відповідними захисними навушниками.

(Мал. 20)

- Користуйтеся відповідними засобами захисту очей. У разі використання захисної маски необхідно додатково вдягати схвалені захисні окуляри. Схвалені захисні окуляри мають відповідати стандарту ANSI Z87.1 у США або EN 166 у країнах ЄС.

(Мал. 21)

- За необхідності використовуйте рукавиці.
- Використовуйте захисне взуття зі сталевими носками й неслизькою підошвою.

(Мал. 22)

- Використовуйте одяг, виготовлений із міцної тканини. Завжди використовуйте довгі штани з міцної тканини й сорочку з довгими рукавами. Уникайте надто просторого одягу, який може

зачепитися за сучки або гілки. Не надягайте на час роботи прикраси, короткі штани чи сандалії. Не ходіть босоніж. Заколюйте волосся вище рівня плечей.

- Тримайте під рукою аптечку.

(Мал. 23)

Запобіжне обладнання на виробі



ПОПЕРЕДЖЕННЯ: Перш ніж розпочати використання виробу, уважно прочитайте наведені нижче попередження.

- У цьому розділі описано засоби безпеки виробу, його призначення, а також порядок виконання перевірок і технічного обслуговування, необхідний для забезпечення його правильної роботи. Розташування цих деталей на виробі див. в інструкціях під заголовком *Огляд виробу на сторінці 384*.
- Термін служби виробу може зменшитись, а небезпека виникнення нещасних випадків збільшиться, якщо його технічне обслуговування виконується неправильно або якщо обслуговування та / або ремонт виконуються непрофесійно. Для отримання додаткової інформації зверніться до найближчого сервісного дилера.
- Не використовуйте виріб із пошкодженими елементами захисту. Захисне обладнання виробу потрібно перевіряти й здійснювати його технічне обслуговування згідно з указівками, поданими в цьому розділі. Якщо виріб не відповідає хоча б одній із вимог перевірки, зверніться до центру обслуговування для ремонту.
- Для обслуговування та ремонту виробу потрібна спеціальна підготовка. Зокрема, це стосується захисного обладнання виробу. Якщо виріб не відповідає принаймні одній з наведених нижче вимог перевірки, зверніться до центру обслуговування. Купуючи будь-який наш виріб, ви отримуєте гарантію на професійний ремонт та обслуговування. Якщо дилер, у якого ви купуєте виріб, не надає послуг з обслуговування, дізнайтеся в нього, де розташовано найближчий центр обслуговування.

Перевірка клавішної панелі

1. Натисніть і втримуйте кнопку ввімкнення / вимкнення (A), доки не ввімкнеться індикатор живлення (B). (Мал. 24)
2. Якщо індикатор попередження (C) світиться або блимає, див. *Усунення несправностей на сторінці 394*.

Перевірка механічного пускового пристрою

- Натисніть і відпустіть механічний пусковий пристрій, щоб переконатися, що він рухається вільно. (Мал. 25)

Заходи безпеки під час роботи з акумуляторами



ПОПЕРЕДЖЕННЯ: Перш ніж розпочати використання виробу, уважно прочитайте наведені нижче попередження.

- Рекомендований акумулятор – 40-B series. Акумулятори програмно закодовані.
- Використовуйте акумулятор 40-B series лише для живлення відповідних виробів Husqvarna. Щоб уникнути травмування, заборонено використовувати акумулятор як джерело живлення для інших приладів.
- Небезпека враження електричним струмом. Заборонено під'єднувати клемми акумулятора до ключів, гвинтів або інших металевих предметів. Це може призвести до короткого замикання в акумуляторі.
- Не використовуйте елементи живлення без можливості перезарядження.
- Заборонено вставляти предмети у вентиляційні отвори акумулятора.
- Тримайте акумулятор подалі від прямих сонячних променів, джерел тепла й відкритого вогню. Акумулятор може призвести до опіків та/або хімічних опіків.
- Бережіть акумулятор від дощу та вологи.
- Захищайте акумулятор від впливу мікрохвиль чи високого тиску.
- Заборонено розбирати чи ламати акумулятор.
- Бережіться контакту шкіри з акумуляторною кислотою. Акумуляторна кислота може призвести до опіків, корозії та травмування шкіри. Якщо акумуляторна кислота потрапила в очі, не слід їх терти, натомість потрібно промивати водою протягом щонайменше 15 хвилин. Якщо акумуляторна кислота потрапила на шкіру, її слід промити великою кількістю води з милом. Після цього зверніться за медичною допомогою.
- Акумулятор дозволяється використовувати за температури від -10°C (14°F) до 40°C (104°F).
- Заборонено мити батарею чи заряджальний пристрій водою. Дивіться розділ *Чищення виробу, акумулятора й зарядного пристрою на сторінці 394*.
- Не користуйтеся пошкодженим акумулятором.
- Зберігайте акумулятори подалі від металевих предметів на кшталт цвяхів, гвинтів чи ювелірних виробів.
- Тримайте акумулятор подалі від дітей.

Заходи безпеки під час роботи із зарядним пристроєм



ПОПЕРЕДЖЕННЯ: Перш ніж розпочати використання виробу, уважно прочитайте наведені нижче попередження.

- Через недотримання правил техніки безпеки може виникнути ризик ураження електричним струмом або короткого замикання.
- Заборонено використовувати будь-які інші зарядні пристрої, окрім того, що йде в комплекті до виробу. Для заряджання змінних акумуляторів серії 40-B використовуйте лише зарядні пристрої 40-C80.
- Заборонено розбирати зарядний пристрій.
- Не використовуйте зарядний пристрій, який пошкоджений або не працює належним чином.
- Заборонено підіймати зарядний пристрій, тримаючи його за шнур живлення. Щоб від'єднати зарядний пристрій від настінної розетки, витягніть штепсельну вилку. У жодному разі не тягніть за шнур живлення.
- Пильнуйте, щоб усі кабелі та подовжувальні шнури були якомога далі від води, оливи й гострих кутів. Переконайтеся в тому, що кабель не здавлено сторонніми предметами, наприклад дверима, огорожею або аналогічними предметами.
- Заборонено використовувати зарядний пристрій поблизу легкозаймистих або корозійних матеріалів. Переконайтеся в тому, що зарядний пристрій нічим не накритий. При появі диму чи вогню витягніть штепсель зарядного пристрою з розетки.
- Заряджати акумулятор слід тільки в добре провітрюваних приміщеннях та подалі від сонячного світла. Не заряджайте акумулятор надворі. Не заряджайте акумулятор у вологому середовищі.
- Використовуйте зарядний пристрій лише в приміщеннях із температурою від 5 °C (41 °F) до 40 °C (104 °F). Використовуйте зарядний пристрій лише в сухому приміщенні з належною вентиляцією, у якому немає пилу.

- Забороняється вставляти предмети у вентиляційні отвори зарядного пристрою.
- Заборонено з'єднувати контакти зарядного пристрою металевими предметами, оскільки це може призвести до короткого замикання.
- Використовуйте справні розетки відповідного типу. Переконайтеся, що шнур зарядного пристрою не пошкоджено. Якщо використовуються подовжувачі, переконайтеся в тому, що вони не пошкоджені.
- Не намагайтеся заряджати одноразові батареї за допомогою зарядного пристрою.

Правила техніки безпеки під час обслуговування



ПОПЕРЕДЖЕННЯ: Перш ніж розпочати технічне обслуговування виробу, уважно прочитайте наведені нижче попередження.

- Перед технічним обслуговуванням, іншими перевітками чи монтажем виробу необхідно виймати акумулятор.
- Оператор має виконувати лише ті види технічного обслуговування, що описані в цьому посібнику користувача. У разі необхідності виконання складніших робіт із технічного обслуговування слід звернутися до сервісного дилера.
- Заборонено мити батарею чи зарядний пристрій водою. Використання сильнодіючих миючих засобів може призвести до пошкодження пластику.
- Відсутність технічного обслуговування зменшує термін служби виробу й підвищує вірогідність виникнення нещасних випадків.
- Для виконання робіт з обслуговування й ремонту, особливо в разі роботи із захисними пристроями виробу, необхідна спеціальна підготовка. Якщо після технічного обслуговування виріб не пройде частину перевірок, наведених у цьому посібнику користувача, зверніться до свого сервісного дилера. Ми гарантуємо можливість професійного ремонту й обслуговування вашого виробу.
- Використовуйте лише оригінальні запасні частини.

Збирання

Вступ



ПОПЕРЕДЖЕННЯ: Перед збиранням виробу уважно прочитайте розділ про правила техніки безпеки.

Установлення насадки

1. Установіть насадку на передній кінець виробу. (Мал. 26)
2. Натискайте на насадку, доки не почуєте клацання.

Монтаж зарядного пристрою 40-C80 на стіні

шуруповерт може пошкодити зарядний пристрій.



УВАГА: Не використовуйте електричний шуруповерт для закріплення зарядного пристрою на стіні. Електричний

1. Прикріпіть зарядний пристрій акумулятора до стіни 2 гвинтами (А). Якщо треба, скористайтесь дюбелями (В). (Мал. 27)
2. Вставте 2 заглушки для гвинтових отворів (С).
3. Під'єднайте кабель живлення (D) до зарядного пристрою акумулятора й електричної розетки.

Експлуатація

Вступ

прочитайте й усвідомте зміст розділу про заходи безпеки. Також треба прочитати посібник користувача для акумулятора й заряджального пристрою та усвідомити його зміст.



ПОПЕРЕДЖЕННЯ: Перед використанням виробу уважно прочитайте розділ про правила техніки безпеки.

Робоча перевірка перед початком використання виробу

1. Перевірте повітрязабірник на наявність бруду й тріщин. За допомогою щітки зчистьте з виробу траву й листя. Див. *Перевірка всмоктувача повітря на сторінці 394.*
2. Переконайтеся в тому, що виріб працює правильно.
3. Перевірте всі гайки й гвинти та переконайтеся, що вони добре затягнуті.

Дотримуйтеся вимог щодо температури навколишнього середовища для акумулятора й заряджального пристрою.

	Температура навколишнього середовища
Експлуатація виробу	-5 °C – 40 °C / 23 °F - 104 °F
Заряджання акумулятора	5 °C – 40 °C / 41 °F - 104 °F

Акумулятор

Світлодіодний індикатор акумулятора

На дисплеї відображаються поточний рівень заряду акумулятора й можливі проблеми під час його роботи. (Мал. 28)



ПОПЕРЕДЖЕННЯ: Перед використанням акумулятора обов'язково

Світлодіодний індикатор	Стан акумулятора (рівень заряду)
	40-B140
Горить 4 індикатори	Акумулятор заряджений на 76–100 %.
Горить 3 індикатори	Акумулятор заряджений на 51–75 %.
Горить 2 індикатори	Акумулятор заряджений на 26–50 %.
Горить 1 індикатор	Акумулятор заряджений на 6–25 %.
Блимає 1 індикатор	Акумулятор заряджений на 0–5 %.

Заряджання акумулятора

Перед першим використанням акумулятор необхідно зарядити. Новий акумулятор заряджений лише на 30 %.



УВАГА: Зарядний пристрій слід під'єднувати до мереж живлення, напруга й частота яких відповідають значенням, указаним на табличці з паспортними даними.

Акумулятор не заряджатиметься, якщо його температура перевищує 50 °C (122 °F).

1. Під'єднайте шнур живлення до зарядного пристрою.
2. Під'єднайте зарядний пристрій до заземленої розетки. Світлодіодний індикатор заряджання блимне один раз. (Мал. 29)
3. Під'єднайте акумулятор до зарядного пристрою. Увімкнеться індикатор заряджання. Тривалість заряджання акумулятора не має перевищувати 24 години. (Мал. 30)
4. Натисніть кнопку індикатора акумулятора; якщо всі світлодіодні індикатори засвітіться, акумулятор повністю заряджений.
5. Потягніть штепсельну вилку, щоб від'єднати зарядний пристрій від розетки чи роз'єму живлення. У жодному разі не тягніть за шнур живлення.
6. Вийміть акумулятор із зарядного пристрою.

Під'єднання акумулятора до виробу



ПОПЕРЕДЖЕННЯ:

Використуйте для виробу лише рекомендований акумулятор Husqvarna.

1. Переконайтеся, що акумулятор повністю заряджений.
2. Вставте акумулятор у тримач, доки не почуєте клацання. Акумулятор має легко рухатися. Якщо це не так, його встановлено неправильно. (Мал. 31)

Запуск виробу

1. Натисніть кнопку ввімкнення та утримуйте її, доки не увімкнеться зелений світлодіодний індикатор. (Мал. 32)
2. Керуйте виробом за допомогою механічного пускового пристрою.

Установлення оптимального рівня потужності потоку повітря для роботи

- Для налаштування швидкості потоку повітря натисніть кнопку регулювання швидкості. Передбачено три режими швидкості повітря. (Мал. 33)

Зупинення виробу

1. Відпустіть механічний пусковий пристрій.
2. Натисніть кнопку живлення та утримуйте її, доки не згасне зелений світлодіодний індикатор.
3. Натисніть кнопку фіксатора й витягніть акумулятор. (Мал. 34)

Функція автоматичного вимкнення

Інструмент підтримує функцію автоматичного вимкнення, яка зупиняє інструмент, якщо він не використовується. Зелений світлодіодний індикатор живлення згасне, і через 3 хв виріб зупиниться.

Технічне обслуговування

Вступ



ПОПЕРЕДЖЕННЯ: Перед виконанням будь-яких робіт із технічного обслуговування обов'язково прочитайте й усвідомте зміст розділу про заходи безпеки.

Графік технічного обслуговування



ПОПЕРЕДЖЕННЯ: Перед технічним обслуговуванням необхідно виймати акумулятор.

Нижче наведено перелік заходів технічного обслуговування, які слід виконувати.

Технічне обслуговування	Щодня	Щотижня	Щомісяця
Протріть пристрій чистою сухою ганчіркою. Не використовуйте воду.	X		
Переконайтеся, що ручки сухі та чисті.	X		
Перевірте клавішну панель.	X		
Перевірте механічний пусковий пристрій.	X		
Переконайтеся, що всі гайки й гвинти затягнуті.	X		
Перевірте акумулятор на відсутність пошкоджень.	X		

Технічне обслуговування	Щодня	Щотижня	Щомісяця
Перевірте рівень заряду акумулятора.	X		
Переконайтеся, що кнопки фіксатора на акумуляторі справні й надійно втримують акумулятор у виробі.	X		
Переконайтеся, що зарядний пристрій не пошкоджений.	X		
Переконайтеся, що всі зчеплення, з'єднання та кабелі чисті й непошкоджені.		X	
Перевірте з'єднання на акумуляторі, зарядному пристрої та виробі.			X

Перевірка всмоктувача повітря

1. Переконайтеся, що всмоктувач повітря не забитий. (Мал. 35)
2. За потреби зупиніть вибір і приберіть сторонні матеріали.



УВАГА: Засмічення всмоктувача повітря знижує ефективність видування та підвищує робочу температуру електродвигуна. Це може призвести до несправності електродвигуна через перегрів.

Перевірка акумулятора й зарядного пристрою

1. Перевірте акумулятор на наявність пошкоджень на кшталт тріщин.

2. Перевірте зарядний пристрій на наявність пошкоджень на кшталт тріщин.
3. Перевірте з'єднувальний шнур зарядного пристрою на предмет пошкоджень і тріщин.

Чищення виробу, акумулятора й зарядного пристрою

1. Після використання протріть вибір сухою тканиною.
2. Протріть сухою тканиною акумулятор і зарядний пристрій. Тримайте напрямні рейки акумулятора в чистоті.
3. Перед встановленням акумулятора в зарядний пристрій чи вибір переконайтеся, що контакти акумулятора й зарядного пристрою чисті.

Усунення несправностей

Кнопкова панель

Світлодіодний екран	Можливі несправності	Можливі рішення
Блимає червоний світлодіодний індикатор помилки	Відхилення температури від норми.	Дайте виробу охолонути.
	Бруд на роз'ємах акумулятора або вентилятор заблоковано.	Прочистіть стисненим повітрям або м'якою щіткою.
	Акумулятор розряджений.	Зарядіть акумулятор.
	Акумулятор пошкоджений.	Зверніться до центру обслуговування.

Акумулятор

Світлодіодний екран	Можливі несправності	Можливі рішення
Блимає зелений світлодіодний індикатор.	Недостатня напруга акумулятора.	Зарядіть акумулятор.
Блимає світлодіодний індикатор помилки.	Відхилення температури від норми.	Використовуйте акумулятор за температури -5 °C – 40 °C / 23 °F - 104 °F.
	Зависока напруга.	Упевніться, що напруга в електромережі відповідає значенню, указаному в паспортній таблиці виробу. Вийміть акумулятор із зарядного пристрою.
Світиться світлодіодний індикатор помилки.	Завелика різниця напруги між елементами акумулятора (1 В).	Зверніться до свого дилера з обслуговування.

Зарядний пристрій

Світлодіодний екран	Можливі несправності	Можливі рішення
Світлодіодний індикатор заряджання світиться червоним кольором.	Зарядний пристрій несправний.	Зверніться до свого дилера з обслуговування.
Світлодіодний індикатор заряджання блимає зеленим кольором.	Температура акумулятора за межами діапазону заряджання.	Дайте акумулятору охолонути або підігрійте його. Коли температура акумулятора досягне прийнятних значень, його можна буде знову використовувати або заряджати. Використовуйте зарядний пристрій акумулятора за температури 5 °C – 40 °C / 41 °F - 104 °F.
Світлодіодний індикатор заряджання блимає червоним кольором.	Акумулятор пошкоджений.	Зверніться до свого дилера з обслуговування.

Транспортування, зберігання й утилізація

Транспортування та зберігання

- На літій-іонні акумулятори поширюються правила щодо небезпечного вантажу.
- У разі перевезення пасажирським або вантажним транспортом дотримуйтеся спеціальних вимог щодо упаковки й маркування (це правило також стосується третіх осіб і експедиторів).
- Перш ніж відправляти виріб, проконсультуйтеся з особою, що пройшла спеціальну підготовку щодо поводження з небезпечними матеріалами. Дотримуйтеся всіх застосовних національних норм і правил.
- Перед пакуванням акумулятора ізолюйте відкриті контакти. Зафікуйте акумулятор в упаковці, щоб він не рухався.

- Під час підготовки до зберігання чи транспортування виробу завжди виймайте акумулятор.
- Зберігайте акумулятор і зарядний пристрій у сухому приміщенні, захищеному від вологи та низьких температур.
- Заборонено зберігати акумулятор у місці, де можуть утворюватися статичні заряди. Не зберігайте акумулятор у металевій коробці.
- Зберігайте акумулятор за температури 5°C / 41°F and 25°C / 77°F і подальші від прямих сонячних променів.
- Зберігайте зарядний пристрій акумулятора за температури 5 °C/41 °F and 45°C/113°F і подальші від прямих сонячних променів.
- Використовуйте зарядний пристрій акумулятора лише за температури 5 °C – 40 °C / 41 °F - 104 °F.
- Перед довготривалим зберіганням акумулятор необхідно зарядити на 30–50 %.
- Зберігайте виріб лише за температури від –40 °C до +60 °C.
- Зберігайте зарядний пристрій у сухому закритому приміщенні.
- Зберігайте акумулятор і зарядний пристрій окремо. Не дозволяйте дітям та іншим особам без належної підготовки торкатися обладнання. Зберігайте обладнання в приміщеннях, які можна закрити на замок.
- Перед тривалим зберіганням очистьте виріб і проведіть повне обслуговування.
- Під час транспортування надійно закріплюйте виріб.

Утилізація акумулятора, зарядного пристрою й виробу

Символи на виробі або упаковці виробу вказують на те, що виріб не слід утилізувати разом із побутовими відходами. Утилізацію необхідно проводити на підприємстві з переробки відходів електричного й електронного обладнання. Це допоможе запобігти шкоді навколишньому середовищу й людям.

Зверніться до місцевих органів влади, місцевої служби переробки відходів або дилера по додаткову інформацію про методи утилізації виробу.

Технічні характеристики

Технічні характеристики

	122iB
Електродвигун	
Тип двигуна	PMDC
Маса	
Маса без акумулятора, кг	1,9
Випромінювання шуму, рівень звуку,^{82 83}	
Рівень звукової потужності, дБ(A)	92,2
Гарантований рівень звукової потужності, L _{WA} дБ(A)	93
Еквівалентний рівень шумового тиску у вухах оператора, вимірний відповідно до стандартів EN IEC 62841-4-6 та ISO 22868, дБ(A):	82,8
Рівні вібрації⁸⁴	
Рівень вібрацій в ручках, вимірний відповідно до стандарту EN IEC 62841-4-6, м/с ²	1,13
Характеристики вентилятора	

⁸² Випромінювання шуму в навколишнє середовище, виміряне як звукова потужність (L_{WA}) відповідно до директиви ЄС 2000/14/ЄС, має типову статистичну дисперсію (стандартне відхилення) 1,0 дБ(A).

⁸³ Представлені дані щодо еквівалентного рівня звукового тиску інструмента мають типову статистичну дисперсію (стандартне відхилення) 1,3 дБ(A).

⁸⁴ Заявлені дані щодо рівня вібрації мають стандартну статистичну розбіжність (стандартне відхилення) у 1,5 м/с².

	122iB
Пікова об'ємна швидкість потоку, м ³ /год	865
Пікова теоретична швидкість, м/с	53
Потужність потоку повітря, Н	11

Дані щодо шуму та вібрації визначаються на основі номінальної максимальної швидкості.

випромінювання також можна використовувати для попередньої оцінки рівня впливу.

Зверніть увагу: Заявлені загальні значення рівнів вібрації та шуму виміряно відповідно до стандартного методу випробувань і можуть використовуватися для порівняння одного інструмента з іншим.

Зверніть увагу: Випромінювання вібрації та шуму під час фактичного використання продукту може відрізнитися від заявленого сумарного значення залежно від умов і способу експлуатації. Необхідно визначити заходи безпеки для захисту оператора, спираючись на оцінку рівня впливу у фактичних умовах використання. Під час оцінки враховуйте всі етапи робочого циклу, зокрема час, коли продукт вимкнений, працює на холостому ході, а також час натискання пускового пристрою.

Схвалені акумулятори для виробу

Акумулятор	40-B140
Тип	Літій-іонний
Ємність батареї, ампер-години	Див. паспортну табличку акумулятора
Номінальна напруга, В	36
Маса, кг / фунти	1,25 / 2,76

Сертифіковані зарядні пристрої

Зарядний пристрій	40-C80
Вхідна напруга, В	100-240
Частота, Гц	50–60
Потужність, Вт	72
Вихідна напруга, В пост. струму / ампер, А	43 / 1,6

Декларація відповідності

Декларація відповідності ЄС

Ми, компанія **Husqvarna AB**, SE-561 82 Huskvarna, ШВЕЦІЯ, тел.: +46-36-146500, заявляємо під свою виключну відповідальність, що представлений виріб:

Опис	Ручний акумуляторний повітродув
Бренд	Husqvarna
Тип / модель	122iB
Ідентифікація	Серійні номери за 2025 рік і пізніше

відповідає наведеним нижче директивам і нормативним актам ЄС із поправками:

Норма	Опис
2006/42/EC	«Про механічне обладнання»
2014/30/EU	«Про електромагнітну сумісність»
2011/65/EU	«Про обмеження використання деяких небезпечних речовин в електричному й електронному обладнанні»
2000/14/EC	«Про виділення шуму в навколишнє середовище»

і що до нього застосовуються вказані далі узгоджені стандарти та/або технічні специфікації:
EN 62841-1:2015/A11:2022, EN IEC 62841-4-6:2024/A11:2024, EN IEC 63000:2018

EN IEC 55014-1:2021, EN IEC 55014-2:2021

Згідно з додатком V директиви 2000/14/EC, заявлені шумові характеристики зазначено в розділі *Технічні характеристики на сторінці 396*.

Husqvarna, 2025-11-03



Клас Лосдал (Claes Losdal), директор відділу НДДКР,
Husqvarna AB

Відповідальний за технічну документацію



Husqvarna®

www.husqvarna.com

Original instructions
Оригинални инструкции
Původní pokyny
Originale instruktioner
Originalanweisungen
Αρχικές οδηγίες
Instrucciones originales
Originaaljuhend
Alkuperäiset ohjeet
Instructions d'origine

Originalne upute
Eredeti útmutatás
Istruzioni originali
取扱説明書原本

Originalios instrukcijos
Lietošanas pamācība
Originele instructies
Originale instruksjoner
Oryginalne instrukcje
Instrucções originais
Instrucțiuni inițiale
Оригинальные инструкции
Põvodné pokyny
Izvirna navodila
Originalna uputstva
Bruksanvisning i original
Orijinal talimatlar
Оригинальні інструкції



1144719-38



2025-09-17