



 **Husqvarna**[®]



TS 375XD (48)

EN Operator's manual
ES-MX Manual del usuario

2-41
42-86

Contents

Introduction.....	2	Transportation, storage and disposal.....	39
Safety.....	6	Storage.....	39
Assembly.....	10	Disposal.....	40
Operation.....	15	Technical data.....	40
Maintenance.....	20	Service.....	41
Troubleshooting.....	34	Appendix	87

Introduction

Pre-delivery inspection and product numbers

copy of the pre-delivery inspection document from your dealer.

Note: A pre-delivery inspection has been done of this product. Make sure that you receive a signed

Husqvarna servicing dealer contact information:	
This operator's manual belongs to product with product number / serial number:	
/	
Engine:	
Transmission:	

Product description

This is a lawn tractor with the cutting deck installed between the front and rear axles. It has a 4-stroke engine that uses gasoline.

Optional accessories:

- Grass catcher
- Mulch plug

Intended use

This product is only used to cut grass in private gardens and on private garden slopes with not more than 15° slope. It is not to be used in public parks, sports grounds, in farming or in forestry. Only use the product with accessories that are approved by the manufacturer.

To use the product differently is incorrect use. It will void your warranty and reject the responsibility for damage to the user of third parties on the part of the manufacturer.

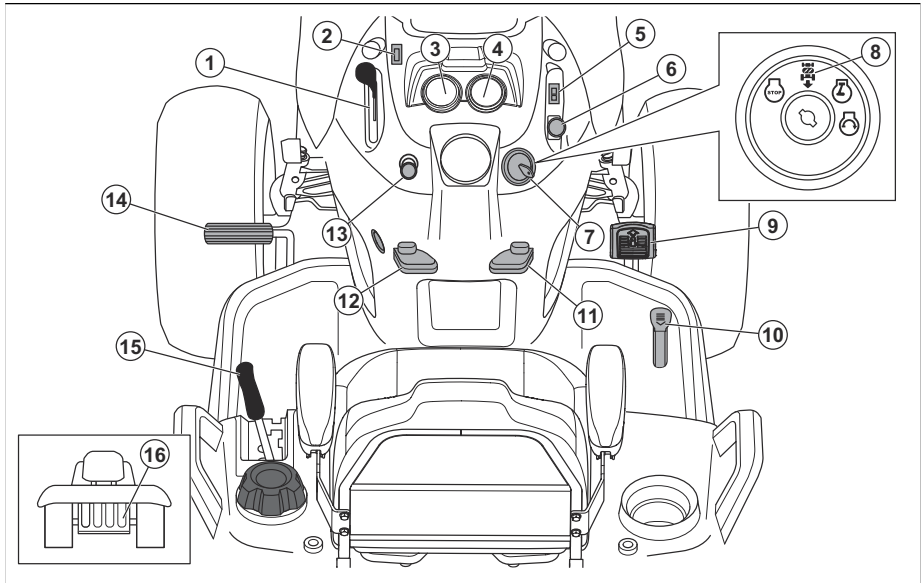
Refer to local directives for the operation of lawn mowers.

Support / Help

If you require assistance or have questions concerning the application, operation, maintenance or parts for your product:

- Visit our website: www.husqvarna.com
- Call Us Toll Free: 1-800-487-5951

Product overview



1. Throttle control
2. Light switch
3. Hour meter
4. Amperage meter
5. Differential lock switch
6. PTO button
7. Ignition switch
8. Reverse operation system (ROS) ON position
9. Forward drive pedal
10. Reverse drive pedal
11. Cruise control lever
12. Parking brake lever
13. Choke control
14. Brake pedal
15. Attachment lift lever
16. Freewheel lever

Symbols on the product



Warning! Be careful and use the product correctly. This product can cause serious injury or death to the operator or others.



CAUTION: Incorrect use can result in damage to the product or personal property.



Read the operator's manual carefully and make sure that you understand the instructions before you use this product.



Reverse.



Neutral.



High.



Low.



Choke.



Fast.



Slow.



Ignition switch.



Engine off.



Engine start.



Engine on.



Differential lock.



Brake and clutch pedal.



Parking brake.



Cutting height.



Cutting deck lift.



Reverse operation system (ROS).



Reverse.



Forward.



Lights on.



Battery.



The blades are disengaged.



The blades are engaged.



Dangerous, keep hands and feet away from this area.



Fuel.



Use protective glasses.



Use approved hearing protection.



Keep the area clear when you move forward.



Do not use the product if persons, especially children, or animals, are near.



Slope risk. Do not operate the product straight up a slope that is more than 15°.



Slope risk. Do not operate horizontally on a slope.



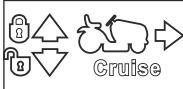
Slope risk. Do not operate the product straight down a slope that is more than 15°.



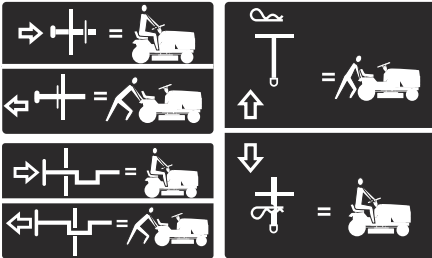
The hot surfaces symbol show a risk, which, if not obeyed, can cause death, serious injury and/or damage.



The fire symbol shows a risk, which, if not obeyed, can cause death, serious injury and/or damage.



Cruise control.



Freewheel (automatic models only).

Label on the product



DANGER – Keep hands and feet away.

Hour meter

The hour meter shows how many hours the engine has been in operation. Refer to *Product overview on page 3* for the position of the hour meter.

To manually reset the hour meter, turn the ignition key to the on position and then to the "STOP" position 5 times.

Note: The hour meter only stops when the ignition key is in the "STOP" position. Make sure that the ignition key stays in the "STOP" position when the engine has stopped.

Product damage

We are not responsible for damages to our product if:

- the product is incorrectly repaired.
- the product is repaired with parts that are not from the manufacturer or not approved by the manufacturer.
- the product has an accessory that is not from the manufacturer or not approved by the manufacturer.
- the product is not repaired at an approved service center or by an approved authority.

Safety

Safety definitions

Warnings, cautions and notes are used to point out particularly important parts of the manual.



WARNING: Used if there is a risk of injury or death for the operator or bystanders if the instructions in the manual are not obeyed.



CAUTION: Used if there is a risk of damage to the product, other materials or the adjacent area if the instructions in the manual are not obeyed.

Note: Used to give more information that is necessary in a given situation.

Safe Operation Practices for Ride-On Mowers



WARNING: This product is capable of amputating hands and feet and throwing objects. Failure to observe the following safety instructions could result in serious injury or death.



WARNING: In order to prevent accidental starting when setting up, transporting, adjusting or making repairs, always disconnect spark plug wire and place wire where it cannot contact spark plug.



WARNING: Do not coast down a hill in neutral, you may lose control of the tractor.



WARNING: Tow only attachments that are recommended by and comply with specifications of the manufacturer of your tractor. Use common sense when towing. Operate only at the lowest possible speed when on a slope. Too heavy of a load, while on a slope, is dangerous. Tires can lose traction with the ground and cause you to lose control of your tractor.



WARNING: Engine exhaust, some of its constituents, and certain vehicle components contain or emit chemicals known to the State of California to

cause cancer and birth defects or other reproductive harm.



WARNING: Battery posts, terminals and related accessories contain lead and lead compounds, chemicals known to the State of California to cause cancer and birth defects or other reproductive harm. Wash hands after handling.



WARNING: Do not use the product in bad weather conditions. This includes fog, rain, wet or moist areas, strong wind, extreme cold, or risk of lightning. Use of the product in such conditions can result in loss of control, injury, or death.

I. CHILDREN



WARNING: CHILDREN CAN BE INJURED BY THIS EQUIPMENT. The American Academy of Pediatrics recommends that children be a minimum of 12 years of age before operating a pedestrian controlled lawn mower and minimum of 16 years of age before operating a riding lawn mower.



WARNING: CHILDREN CAN BE SERIOUSLY INJURED OR KILLED BY THIS EQUIPMENT. Carefully read and follow all the safety instructions below.

Tragic accidents can occur if the operator is not alert to the presence of children. Children are often attracted to the machine and the mowing activity. Never assume that children will remain where you last saw them.

- Keep children out of the mowing area and in the watchful care of a responsible adult other than the operator.
- Be alert and turn off the machine if a child enters the area.
- Before and while in reverse, look behind and down for small children.
- Never carry children, even with the blades shut off. They may fall off and be seriously injured or interfere with safe machine operation. Children who have been given rides in the past may suddenly appear in the mowing area for another ride and be run over or backed over by the machine.
- Never allow children to operate the machine.

- Use extreme caution when approaching blind corners, shrubs, trees, or other objects that may block your view of a child.

II. GENERAL OPERATION

- Read, understand, and follow all instructions on the machine and in the manual before starting.
- Do not put hands or feet near rotating parts or under the machine. Keep clear of the discharge opening at all times.
- Only allow responsible adults, who are familiar with the instructions, to operate the machine.
- Clear the area of objects such as rocks, toys, wire, etc., which could be picked up and thrown by the blades.
- Ensure the area is clear of bystanders before operating. Stop machine if anyone enters the area.
- Never carry passengers.
- Do not mow in reverse unless absolutely necessary. Always look down and behind before and while in reverse.
- Never direct discharged material toward anyone. Avoid discharging material against a wall or obstruction. Material may ricochet back toward operator. Stop the blades when crossing gravel surfaces.
- Do not operate machine without the entire grass catcher, discharge chute, or other safety devices in place and working.
- Slow down before turning.
- Never leave a running machine unattended. Always turn off blades, set parking brake, and stop engine before dismounting.
- Disengage blades when not mowing. Shut off engine and wait for all parts to come to complete stop before cleaning the machine, removing the grass catcher, or unclogging the discharge chute.
- Operate machine only in daylight or good artificial light.
- Only operate the product after you received adequate training. Training must include instructions for safe operation and prohibited operations.
- Do not use the product if you are fatigued, ill, or under the influence of alcohol, drugs, or medication that can affect your vision, alertness, coordination, or judgment.
- Watch for traffic when operating near or crossing roadways.
- Use extreme caution when loading or unloading the machine into a trailer or truck.
- Always wear eye protection when operating machine.
- Use ear protectors to avoid damage to hearing.
- Data indicates that operators, age 60 years and above, are involved in a large percentage of riding mower-related injuries. These operators should evaluate their ability to operate the riding mower safely enough to protect themselves and others from serious injury.

- Follow the manufacturer's recommendation for wheel weights or counterweights.
- Keep machine free of grass, leaves or other debris build-up which can touch hot exhaust/ engine parts and burn. Do not allow the mower deck to plow leaves or other debris which can cause build-up to occur. Clean any oil or fuel spillage before operating or storing the machine. Allow machine to cool before storage.

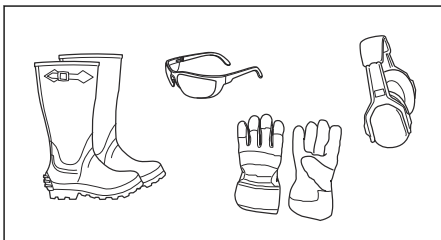
Safety instructions for operation

Personal protective equipment



WARNING: Read the warning instructions that follow before you use the product.

- Use approved personal protective equipment when you use the product. Personal protective equipment cannot fully prevent injury but it decreases the degree of injury if an accident does occur. Let your dealer help you select the right equipment.
- Always use recommended protective equipment to decrease the effects of vibration. Do not use the product for long periods. Stop the product at regular intervals to prevent discomfort or injury.
- Always wear approved hearing protection. Long term exposure to noise can result in permanent hearing impairment.
- Always wear safety glasses or eye protection while you operate the product or do maintenance or repairs.
- Always wear slip-resistant protective shoes or protective boots. Steel toes are recommended. Do not use the product barefoot.



- Wear gloves when necessary, for example when you attach, examine or clean the cutting equipment.
- Do not wear loose-fitting clothing, jewelry or other items that can get caught in moving parts.
- Do not wear shorts when you operate the product.
- Keep first aid equipment and fire extinguisher close at hand.

Safety devices on the product



WARNING: Read the warning instructions that follow before you use the product.

- Do not use a product with safety devices that are damaged or do not operate correctly. Do a check of the safety devices regularly. If the safety devices are damaged, speak to your Husqvarna servicing dealer.
- Do not make modifications on safety devices. Do not use the product if protective plates, protective covers, safety switches or other protective devices are not attached or are damaged.

To do a check of the operator presence control (OPC)



WARNING: Do not operate the product with an operator presence control (OPC) that does not operate correctly. If the OPC does not operate correctly, repair it immediately. Speak to an approved service agent.

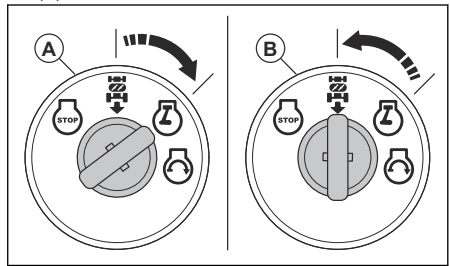
- Make sure that the engine cannot start unless the brake pedal is pushed down fully and the cutting deck is disengaged.
- Make sure that the engine stops when the operator goes away from the seat when the parking brake is disengaged.
- Make sure that the engine stops when the operator goes away from the seat when the cutting deck is engaged.
- Make sure that the clutch control for the cutting deck cannot operate when the operator is away from the seat.

To do a check of the reverse operation system (ROS)

If the reverse operation system does not operate correctly, repair the product immediately. Speak to an approved service agent.

1. Start the product. Refer to *To start the product on page 15*.
2. Engage the cutting deck. Refer to *To engage and disengage the cutting deck on page 19*.

3. Make sure that the engine stops when you try to reverse with the ignition key is in the on position (A).



4. Start the product and engage the cutting deck again.
5. Turn the ignition switch to the ROS on position (B).
6. Make sure that the engine does not stop when you reverse with the ignition key in the ROS on position.

To do a check of the brake



WARNING: Brake maintenance is necessary if the product uses more than 5 ft (1.5 m) to stop at the highest speed in the highest gear on a level, dry surface.

1. Park the product on a level, dry concrete or paved surface. Push the brake pedal down fully and engage the parking brake.
2. Set the freewheel control to the "transmission disengaged" position to disengage the transmission.
3. The rear wheels must lock and skid when you try to manually push the product forward. If the rear wheels rotate, then brake maintenance is necessary.
4. Speak to an approved service center.

Parking brake



WARNING: If the parking brake does not work, the product can start to move and cause injury or damage. Make sure that the parking brake is regularly examined and adjusted.

Refer to *To do a check of the brake on page 8*.

Muffler

The muffler keeps the noise levels to a minimum and sends the exhaust fumes away from the operator.

Do not use the product if the muffler is missing or damaged. A damaged muffler increases the noise level and the risk of fire.



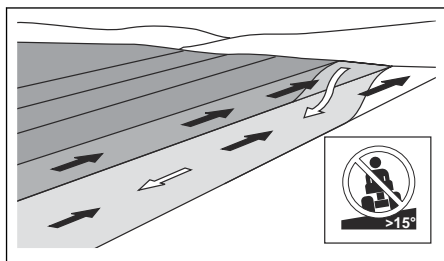
WARNING: The muffler becomes very hot during and after use and when the engine operates at idle speed. Be careful near flammable materials and/or fumes to prevent fire.

To cut grass on slopes



WARNING: Read the warning instructions that follow before you use the product.

- To cut grass on slopes increases the risk that you can not control the product and that it overturns. This can cause injury or death. It is necessary to cut the grass carefully on all slopes. If you cannot reverse up a slope or if you do not feel safe, do not cut it.
- Remove stones, branches and other obstacles.
- Cut up and down the slope, not from side to side.
- Do not move down a slope with the cutting deck lifted.
- Do not operate the product on ground that slopes more than 15°.



- Do not start or stop on a slope.
- Move smoothly and slowly on slopes.
- Do not make sudden changes in speed or direction.
- Do not turn more than necessary. Turn slowly and gradually when you move down a slope. Move at low speed. Turn the wheel carefully.
- Look out for and do not move across furrows, holes and bumps. There is a higher risk that the product overturns on ground that is not flat. Long grass can hide obstacles.
- Do not cut grass near edges, ditches or banks. Keep at least the width of the product away from these hazards. The product can suddenly overturn if a wheel moves across the edge of a steep slope or a ditch, or if an edge gives way.
- Do not mow wet grass. It is slippery, and tires can lose their grip so that the product skids.
- Do not put your foot on the ground to try to make the product more stable.
- Move very carefully if an accessory or other object is attached that can make the product less stable.

Fuel safety



WARNING: Read the warning instructions that follow before you use the product.

- Fuel is flammable and the vapors are explosive. Be careful with fuel to prevent injury, fire and explosion.
- Do not breathe in the fuel vapors. The fuel vapors are poisonous and can cause injury. Make sure that the airflow is sufficient.
- Do not remove the fuel tank cap or fill the fuel tank when the engine is on.
- Make sure that the engine is cool before you refuel.
- Do not fill fuel in an indoor area. Insufficient airflow can cause injury or death because of asphyxiation or carbon monoxide poisoning.
- Do not smoke near the fuel or the engine. Extinguish all cigarettes, cigars, pipes and other sources of ignition.
- Do not put hot objects near the fuel or the engine.
- Do not fill fuel near sparks or flames.
- Before you refuel, open the fuel tank cap slowly and release the pressure carefully.
- Fuel on your skin can cause injury. If you get fuel on your skin, use soap and water to remove the fuel.
- If you spill fuel on your clothing, change clothing immediately.
- Do not fill the fuel tank fully. Heat causes the fuel to expand. Keep a space at the top of the fuel tank.
- Tighten the fuel tank cap fully. If the fuel tank cap is not tightened, there is a risk of fire.
- Before you start the product, move the product to a minimum of 3 m/10 ft from where you refueled.
- Do not start the product if there is fuel or engine oil on the product. Remove the unwanted fuel and engine oil. Let the product dry and wait until fuel vapors are gone before you start the engine.
- Examine the engine for leaks regularly. If there are leaks in the fuel system, do not start the engine until the leaks are repaired.
- Do not use your fingers to examine the engine for leaks.
- Keep fuel in approved containers only.
- When the product and fuel is in storage, make sure that fuel and fuel vapors cannot cause damage.
- Drain the fuel in an approved container outdoors and away from sparks and flames.

Battery safety



WARNING: A damaged battery can cause an explosion and cause injury. If the battery has a deformation or

is damaged, speak to an Husqvarna servicing dealer.

- The ignition cables are removed from the plugs.



WARNING: Read the warning instructions that follow before you use the product.

- Use protective glasses when you are near batteries.
- Do not wear watches, jewelry or other metal objects near the battery.
- Keep the battery out of reach for children.
- Charge the battery in a space with good airflow.
- Keep flammable materials at a minimum clearance of 1 m when you charge the battery.
- Discard replaced batteries. Refer to *Disposal on page 40*.
- Explosive gases can come from the battery. Do not smoke near the battery. Keep the battery away from open flames and sparks.

Transport safety

- Use an approved transport vehicle for transportation of the product.
- The product is heavy and can cause crush injuries. Be careful when you load it onto or off a vehicle or trailer.
- A markets national or local regulations can set limit to the transportation of the product.
- The operator of the transport vehicle is responsible to attach the product safely during transport. Refer to *Transportation on page 39*.

Safety instructions for maintenance



WARNING: The product is heavy and can cause injury or damage to property or the adjacent area. Do not do maintenance on the engine or the cutting deck without these conditions:

- The engine is off.
- The product is parked on a level surface.
- The parking brake is applied.
- The ignition key is removed.
- The cutting deck is disengaged.



WARNING: The exhaust fumes from the engine contain carbon monoxide, an odorless, poisonous and very dangerous gas. Do not run the product in closed spaces or spaces with not sufficient air flow.



WARNING: Read the warning instructions that follow before you do maintenance on the product.

- For best performance and safety, do maintenance on the product regularly as given in the maintenance schedule. Refer to *Maintenance schedule on page 21*.
- Electrical shocks can cause injuries. Do not touch the cables when the engine is on. Do not do a function test on the ignition system with your fingers.
- Do not start the engine if the protective covers are removed. There is a high risk of injury caused by moving or hot parts.
- Let the product become cool before you do maintenance near the engine.
- The blades are sharp and can cause cuts. Wind protection around the blades or use protective gloves when you do work on the blades.
- Always put the cutting deck in servicing position to clean it. Do not park the product near the edge of a ditch or slope to get access to the cutting deck.



CAUTION: Read the caution instructions that follow before you use the product.

- Do not turn over the engine if the spark plug or ignition cable is removed.
- Make sure that all nuts and bolts are tightened correctly and that the equipment is in good condition.
- Do not change the adjustment of governors. If the engine speed is too high, the product components can become damaged.
- The product is approved only with the equipment supplied or recommended by the manufacturer.

Assembly

Introduction



WARNING: Read and understand the safety chapter before you assemble the product.

To remove the product from the carton

1. Remove loose parts included with the product.
2. Remove the end panels.

3. Remove the side panels and put them on a flat surface.
4. Remove all package materials.
5. Remove the product from the carton and make sure no loose parts are left in the carton.



Backrest connecting plate, 2 pcs

Assembly tools

Note: A socket wrench set will make the assembly procedure easier.

- 1/2" (13 mm) wrench
- Tire pressure gauge
- Utility knife
- Pliers



Front seat bracket, 1 pcs



Rear seat bracket, 1 pcs

Loose parts that need assembly

The product is not fully assembled. The parts that follow are loose when the product is purchased.



Key, 2 pcs



1/4-20 bolt for battery, 2 pcs



1/4-20 nut for battery, 2 pcs



Nozzle adapter, 1 pcs



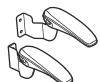
Oil drain tube, 1 pcs



Seat base, 1 pcs



Backrest, 1 pcs



Armrest, 2 pcs



M10 screw, 4 pcs



M8 screw, 4 pcs



5/16-18 nut for front seat bracket, rear seat bracket and seat attachment, 6 pcs



5/16-18 shoulder bolt for seat attachment, 2 pcs



Seat bumper, 2 pcs



3/8-16 x 5/8 bolt for seat bumper, 2 pcs



Steering wheel, 1 pcs



Spacer for steering wheel, 1 pcs



Adapter for steering wheel, 1 pcs



Washer for steering wheel, 1 pcs



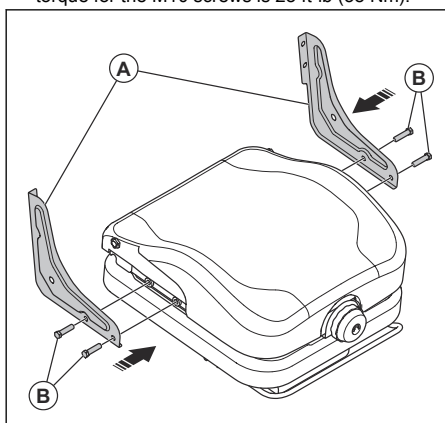
3/8-16 flange lock nut for steering wheel, 1 pcs



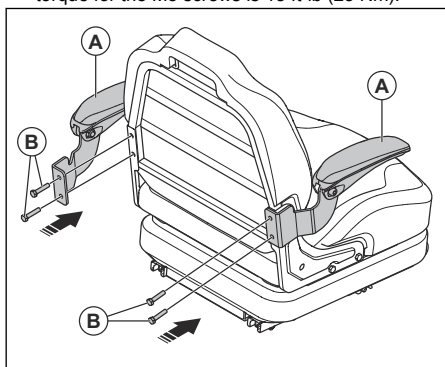
Cap for steering wheel, 1 pcs

To assemble and attach the seat

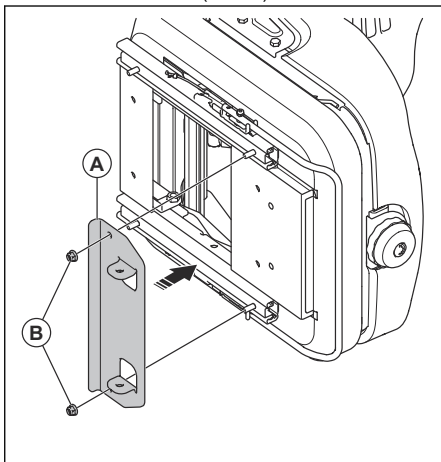
1. Attach the backrest connecting plates (A) to the seat base with 4 M10 screws (B) The tightening torque for the M10 screws is 28 ft-lb (38 Nm).



2. Put the backrest in position and attach the armrests (A) with 4 M8 screws (B) The tightening torque for the M8 screws is 18 ft-lb (25 Nm).

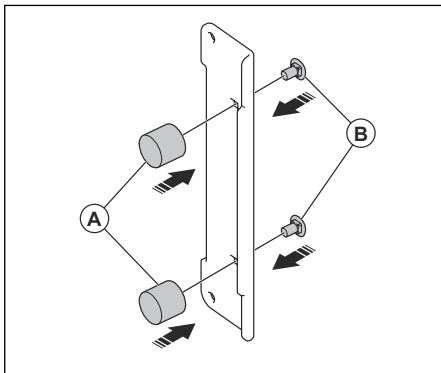


3. Attach the front seat bracket (A) to the seat base with 2 nuts (B) The tightening torque for the seat base nuts is 18 ft-lb (25 Nm).

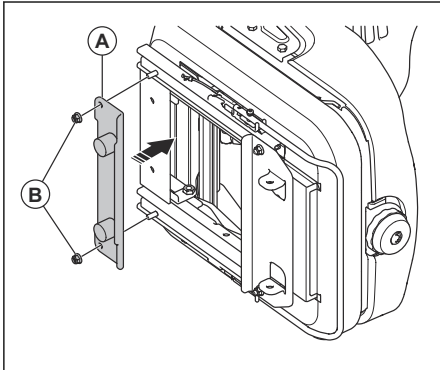


Note: Make sure that the bracket is oriented correctly and attached as shown in the illustration.

4. Install the 2 bumpers (A) to the rear seat bracket with 2 seat bumper bolts (B) Tighten the bolts by hand.

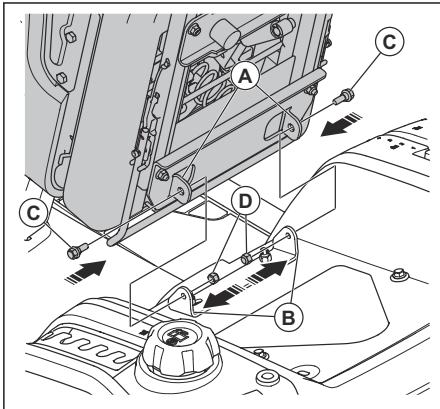


5. Attach the rear seat bracket (A) to the seat base with 2 nuts (B) The tightening torque for the seat base nuts is 18 ft-lb (25 Nm).

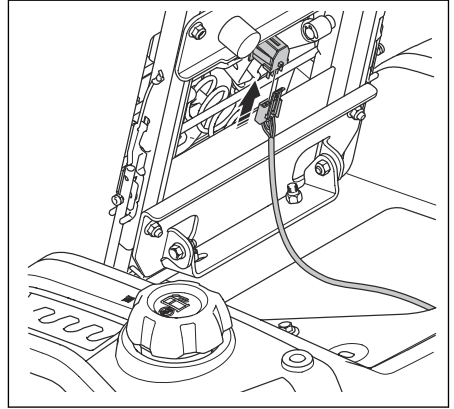


Note: Make sure that the bracket is oriented correctly and attached as shown in the illustration.

6. Align the front seat bracket (A) on the seat base with the bracket (B) on the chassis and attach the seat with 2 seat attachment bolts (C) and 2 nuts (D) The tightening torque for the seat attachment nuts is 18 ft-lb (25 Nm).



7. Connect the wire to the seat safety switch.



Make sure that all fasteners are tightened fully.

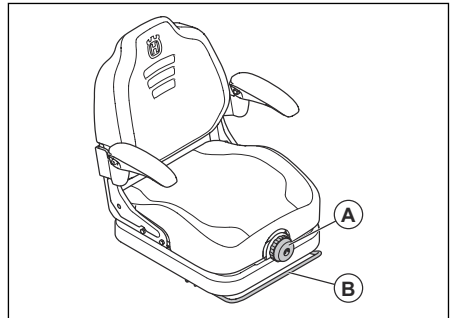
To adjust the seat

The position of the seat can be moved forward or rearward and suspension of the seat can be adjusted.



WARNING: Do not make adjustments to the seat when the product is in operation.

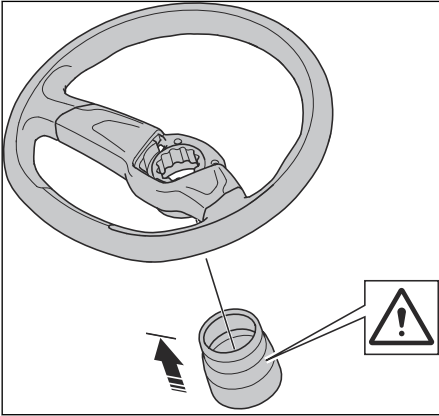
- Turn the knob below the seat (A) to adjust the seat suspension. Turn the knob counterclockwise for soft suspension and clockwise for hard suspension.



- Pull up the lever below the seat (B) while you push the seat forward or rearward. Release the lever when the seat is in the correct position.

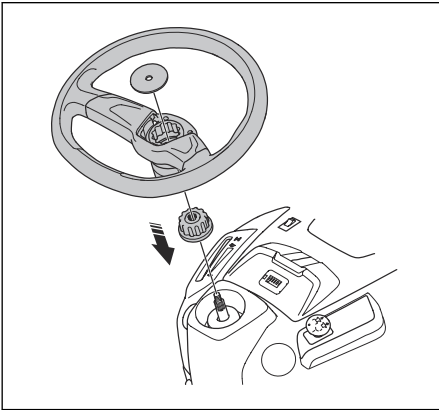
To attach the steering wheel

1. Insert the spacer into the steering wheel.

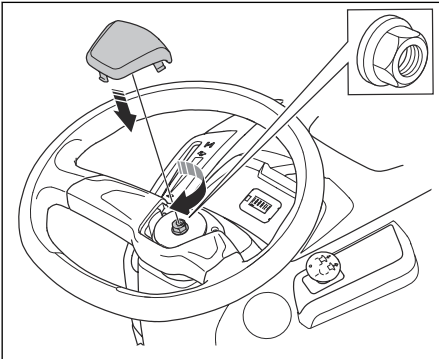


CAUTION: Push the spacer fully into the steering wheel. Make sure there is no gap.

2. Install the adapter, the steering wheel with the spacer, and the washer onto the steering shaft.



3. Tighten the nut fully and attach the cap.



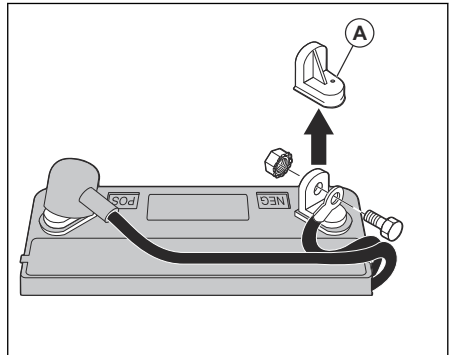
To connect the battery



WARNING: Risk of electrical shock and burn injuries. Do not use metal wristbands or other metal accessories. Metal items that touch the battery terminals can cause burn injuries, electrical shock, and short circuit of the battery.

Note: If it is after the year and month that is written on the battery label, charge the battery. Charge the battery for a minimum of 1 hour at 6–10 A.

1. Find the battery location below the seat or the engine cover.
2. Lift the seat pan or the engine cover to the raised position.
3. Remove the 2 terminal caps (A) and discard them.



4. Connect the red battery cable to the positive (+) terminal and tighten the bolt and nut as shown. Move the terminal cover on the terminal.



WARNING: Risk of sparks. The red battery cable must be connected to the positive terminal before the black battery cable is connected to the negative terminal. This is to prevent sparks and accidental grounding.

5. Connect the black cable to the negative (-) terminal and tighten the bolt and nut fully.
6. Apply petroleum jelly on the battery cables to prevent corrosion.
7. Lower the seat pan or the engine cover.

To move the product off the skid

1. Lift the cutting deck to its highest position. Use the lift lever.
2. Push the clutch/brake pedal down to release the parking brake.

- Put the freewheel control in the "Transmission disengaged" position, refer to *Transportation, storage and disposal on page 39*.
- Push the product forward off the skid.
- Remove the strap that holds the deflector protection up against the product.

To do a check after the assembly

- Make sure that all assembly instructions are completed.
 - Make sure that no remaining parts are in the package.
 - Make sure that the battery is prepared and charged correctly.
 - Make sure that the bolts for the seat are tightened and that the seat is adjusted correctly.
 - Make sure that the tires are correctly inflated.
 - For best cutting results, make sure that the cutting deck is balanced side to side and front to rear. Make sure that the tires are correctly inflated for a balanced cutting deck.
 - Examine the cutting deck and the drive belts. Make sure that the drive belts are installed correctly around the pulleys and inner part of all belt keepers.
- Examine the electrical wires. Make sure that all wires and connections are safe.
 - Make sure that the freewheel control is in the "Transmission engaged" position. Refer to *Transportation on page 39*.
 - Make sure that the engine oil is at the correct level.
 - Make sure that the tank is filled with the correct type of fuel.
 - Make sure that you know the location and function of all controls.
 - Make sure that the brake system is in safe to operate condition.
 - Make sure that the Operator Presence Control (OPC) and the Reverse Operation System (ROS) operate correctly. Refer to *To do a check of the operator presence control (OPC) on page 8* and *To do a check of the reverse operation system (ROS) on page 8*.
 - Remove the air from the transmission before first use. Refer to *To remove the air from the transmission on page 33*.

Operation

Introduction



WARNING: Read and understand the safety chapter before you use the product.

To fill fuel



WARNING: Gasoline is very flammable. Be careful and refuel outdoors. Refer to *Fuel safety on page 9*.



CAUTION: Always use correct fuel type. Incorrect fuel type causes damage to the product.

- Use gasoline of the correct type. Refer to *Technical data on page 40*. For more information about the fuel, refer to the engine manual supplied by the engine manufacturer.
- Do a check of the fuel level before each use and refuel if necessary.
- Do not fully fill the fuel tank. Keep a space of a minimum 1 in.

To start the product

To do before you start the product



WARNING: Before you operate the product, carefully read and understand the safety instructions and the operation instructions.

- Do a check of the engine oil level. Refer to *To do a check of the engine oil level on page 31*.
- Fill the fuel tank with fuel. Refer to *To fill fuel on page 15*.
- Disengage the freewheel mode. Refer to *To put the product in freewheel mode on page 20*.
- Sit in the seat in operation position.
- Engage the parking brake. Refer to *To engage and disengage the parking brake on page 18*.
- Make sure that the cutting deck is disengaged. Refer to *To engage and disengage the cutting deck on page 19*.

To start a warm engine

- Sit in the seat.
- Make sure that the cutting deck is disengaged. Refer to *To engage and disengage the cutting deck on page 19*.
- Put the cutting deck in transport position. Refer to *To set the cutting deck in transport position or mow position on page 17*.

4. Move throttle control to fast position.
5. Pull out the choke control.

Note: For a warm engine start, it may not be necessary to use the choke control.

6. Push down on the brake pedal fully and keep it pushed down.
7. Put the ignition key into the ignition.
8. Turn the ignition key to the "START" position and release the ignition key when the engine starts.



CAUTION: Do not operate the starter continuously for more than 15 seconds for each minute.

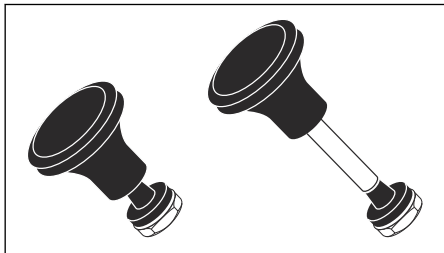
9. When the engine has started, slowly push in the choke control until the engine runs smoothly. When the engine operates smoothly, the attached equipment can be operated and you can operate the forward and rearward drive.

Note: If the engine runs roughly, pull the choke control out for a few seconds and then continue to push the choke control in slowly.

Note: If the engine does not accept the load, restart the engine and let it warm up for one minute. Follow the instructions above.

To start a cold engine

1. Sit in the seat.
2. Make sure that the cutting deck is disengaged. Refer to *To engage and disengage the cutting deck on page 19.*
3. Put the cutting deck in transport position. Refer to *To set the cutting deck in transport position or mow position on page 17.*
4. Move the throttle control to the middle throttle position.
5. Pull out the choke control.



6. Push down on the brake pedal fully and keep it pushed down.
7. Put the ignition key into the ignition.
8. Turn the ignition key to the "START" position and release the ignition key when the engine starts.



CAUTION: Do not operate the starter continuously for more than 15 seconds for each minute.

Note: If the engine does not start after some tries, push the choke control in and wait some minutes before you try again.

9. When the engine starts, move the throttle control to the fast position to warm up the engine. If the temperature is low, some minutes is necessary for the engine to get warm.



CAUTION: If the ambient temperature is less than 40° F (4° C), you must let the engine operate 1 minute at idle speed before you operate the product. This is to let the transmission warm up. Make sure that the brake pedal is fully released.

10. Push in the choke control slowly.

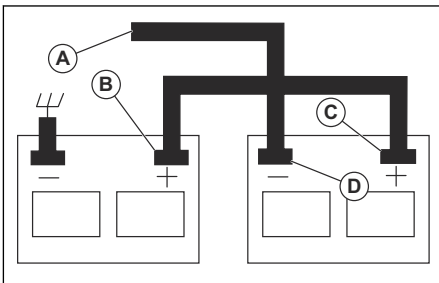
To start the engine when the battery is weak



WARNING: Lead-acid batteries can make explosive gases. Keep sparks, flames and smoking materials away from batteries. Always wear eye protection when around batteries.

If the battery is too weak to start the engine, it must be charged.

If the jumper cables are used for emergency starting, follow the procedures below:



1. Connect one end of the RED cable to the POSITIVE (+) terminal of each battery (B-C).



CAUTION: Be careful that a short circuit does not occur against the chassis of the product.

2. Connect one end of the BLACK cable to the NEGATIVE (-) terminal (D) of a fully charged battery.

3. Connect the other end of the BLACK cable (A) to good chassis ground, away from the fuel tank and battery.
4. Remove the BLACK cable from the chassis when the weak battery is fully charged.
5. Remove the BLACK cable from the fully charged battery.
6. Remove the RED cable from the two batteries.

To remove the jumper cables

Note: Remove the jumper cables in the opposite sequence to how you connect them.

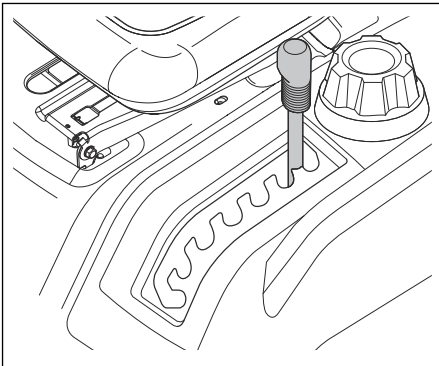
1. Remove the BLACK cable from the chassis.
2. Remove the BLACK cable from the fully charged battery.
3. Remove the RED cable from the 2 batteries.

To set the cutting deck in transport position or mow position

The cutting deck must be in transport position during transportation.

- To set the product in transport position, pull the cutting height lever in the direction of the seat and put it in the highest cutting height position.
- To set the product in mow position, set the correct cutting height. Refer to *To set the cutting height on page 17*.

To set the cutting height

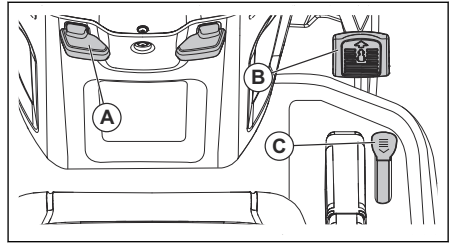


- Pull the lift lever in the direction of the seat and put it in 1 of the notches for the correct cutting height.

To move forward and rearward

Note: The forward and reverse drive pedals go back to neutral position when not pushed down.

The direction and speed of movement is controlled by the forward and reverse drive pedals.

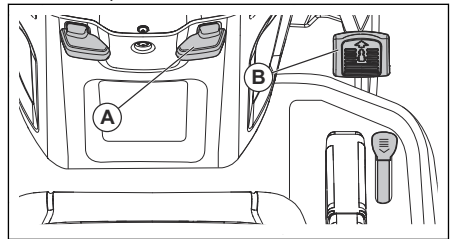


1. Start the engine and slowly release the parking brake (A).
2. To start movement, slowly push the forward drive pedal (B) or the reverse drive pedal (C) down.
3. Push the forward drive pedal (B) or the reverse drive pedal (C) down more to increase speed.

To use the cruise control

Only use the cruise control for forward travel on smooth, straight surfaces. The cruise control will disengage automatically if the conditions for cruise control become unsatisfactory.

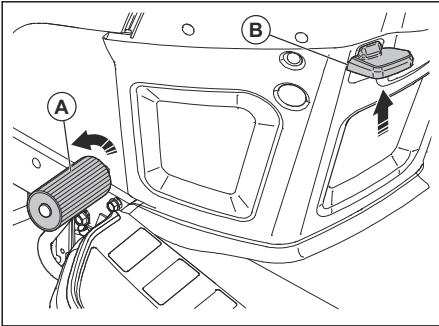
1. Push the forward drive pedal (B) down. Keep the forward drive pedal in a position that gives the correct speed for the terrain.



2. Pull the cruise control lever (A) up and hold it while you release the forward drive pedal.
3. Release the cruise control lever to engage the cruise control.
4. Push the brake pedal or tap on the forward drive pedal to disengage the cruise control.

To engage and disengage the parking brake

1. To engage the parking brake, push down the brake pedal (A) fully to the lowest position.



2. With the brake pedal pushed down, pull up the parking brake lever (B).
3. Release the brake pedal.
4. Release the parking brake lever.

Note: Make sure that the parking brake holds the product safely.

5. To release the parking brake, push down the brake pedal.

To stop the product

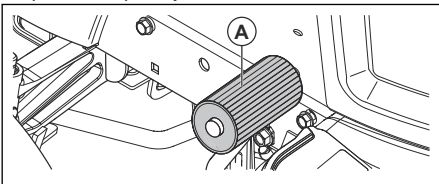


WARNING: Always stop the product, engage the parking brake and remove the ignition key before you go away from the product.



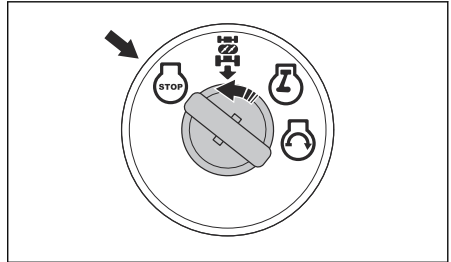
CAUTION: The exhaust gas from the warm engine can cause burn damage to the grass. To prevent burn damage, to the grass, always stop the engine when you stop the product on grass areas.

1. Push down on the brake pedal (A) fully until the product stops fully.



2. Disengage the cutting deck. Refer to *To engage and disengage the cutting deck on page 19*.
3. Put the throttle control in the slow position and let the engine operate at idle speed for some minutes.

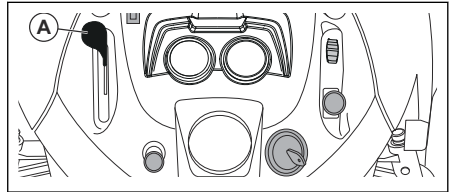
4. Put the cutting deck in the transport position. Refer to *To set the cutting deck in transport position or mow position on page 17*.
5. Turn the ignition key to the "STOP" position and remove the ignition key from the ignition.



To use the throttle control

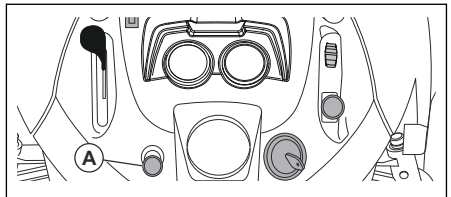
The operating efficiency of the engine decreases when the engine operates at less than full speed. Full speed gives the best mower performance.

- Set the throttle control (A) to the "FULL" position to operate the engine at full speed.



To use the choke control

Note: Use the choke control to start a cold engine. Do not use the choke control to start a warm engine.



1. Pull the knob (A) out to engage the choke control.
2. Push the knob (A) slowly to disengage the choke control.

To use the differential lock control

Note: The product or system is not damaged if the differential lock is engaged for a long period of time.



CAUTION: Do not engage the differential lock while the product moves.

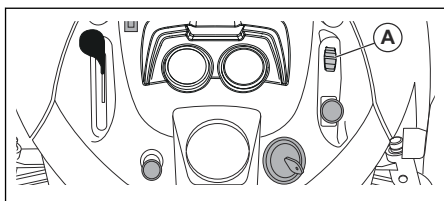
Note: If the differential lock (A) is engaged when you turn, the grass can be moved or turfed.

1. Stop the product and push the differential lock switch to the "ON" position.
2. Move the product forward. As the rear tires turn, the differential lock engages.

To disengage the differential lock:

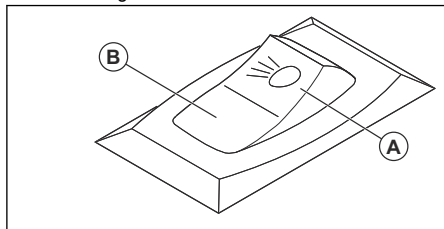
- Push the differential lock switch to the "OFF" position.

Note: If the differential lock does not disengage, steer the product from side to side.



To use the headlight

- Push the power switch to position (A) to make the headlight come on.



- Push the power switch to position (B) to make the headlight go off.

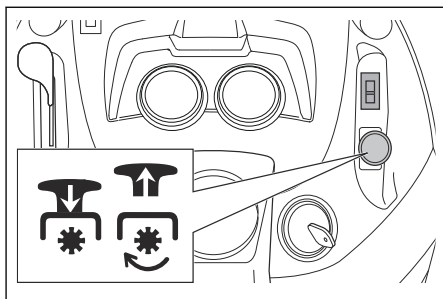
To engage and disengage the cutting deck



WARNING: Do not operate the cutting deck without a deflector installed to the grass discharge.

The product has an operator presence control (OPC). When you go away from the seat with the engine on and the cutting deck engaged, the engine stops.

Stay fully and in the center of the seat to make sure that the engine operates correctly and does not stop on rough terrain or hills.



- Pull the PTO button up to engage the cutting deck.
- Push the PTO button down to disengage the cutting deck.

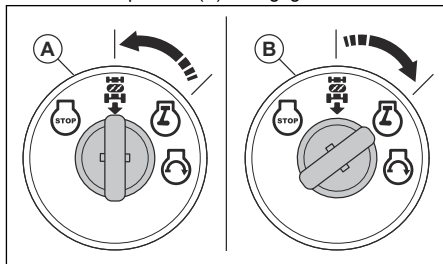
To use the reverse operation system (ROS)

Note: If you try to go rearward with the product when the cutting deck is engaged, the engine stops immediately. Engage the ROS to go rearward with the product when the cutting deck is engaged.



WARNING: Before and while you operate the product rearward, look down and behind the product for the safety of others.

1. Turn the ignition key counterclockwise to the ROS "ON" position (A) to engage the ROS.

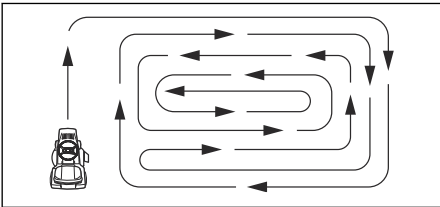


2. Slowly push down the reverse drive pedal to start movement.
3. Turn the ignition key clockwise to the engine "ON" position (B) to disengage the ROS.

To get a good cutting result

- For best performance, do maintenance on the product regularly as given in the maintenance schedule. Refer to *Maintenance schedule on page 21*.
- Do not cut a wet lawn. Wet grass can give a bad cutting result.
- Do not use tire chains when you operate the product with a cutting deck.

- Make sure that the cutting deck is level. Refer to *To adjust the parallelism of the cutting deck on page 28.*
- If the grass is high, start with a high cutting height and decrease it gradually.
- Move the product forward at low speed if the grass is high and thick.
- Use full throttle when you cut the grass.
- Cut the grass in an irregular pattern.
- Use the left side of the cutting deck when you cut near trees, bushes or paths. The blade cuts approximately 15 mm in from the side of the cutting deck.
- When you cut large areas, move the product to the right during 1 or 2 turns around the work area. This procedure will keep the grass discharge away from shrubs, fences and driveways. After approximately 2 turns around the work area, cut in the opposite direction.



- To get the best cutting result, cut the grass frequently.

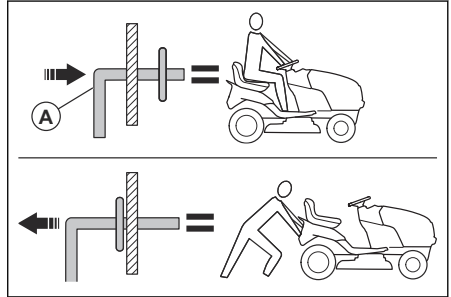
To put the product in freewheel mode

If it is necessary to move or tow the product without aid from the engine, you must put the product in freewheel mode.



WARNING: Do not put the product in freewheel mode on a slope.

- Push in the freewheel control lever (A) to put the product in drive mode.



- Pull out the freewheel control lever to put the product in freewheel mode.

Maintenance

Introduction



WARNING: Read and understand the safety chapter before you do maintenance on the product.

Maintenance schedule

Maintenance schedule		Before each use	At intervals of 8 hours	At intervals of 25 hours	At intervals of 50 hours	At intervals of 100 hours	Each season	Before storage
Product	Do a check of the brake function.	X	X					
	Do a check of tire pressure.	X	X					
	Do a check of the operator presence control (OPC).	X						
	Do a check of the reverse operation system (ROS).	X						
	Do a check for loose fasteners.	X				X		X
	Examine the blades for wear and damage.			X ²				
	Lubricate the product. Refer to <i>Lubrication schedule on page 22.</i>			X				X
	Do a check of the battery level.			X				
	Clean the battery and the terminals.			X				X
	Clean pieces off the steering plate. Refer to <i>To clean the product on page 23.</i>			X				
	Do a check of the trans-axle cooling fan.			X				
	Make sure that the cutting deck is level.				X			
	Do a check of the V-belts.					X		

² Examine the blades more frequently if you cut where there is sand and soil.

Maintenance schedule		Before each use	At intervals of 8 hours	At intervals of 25 hours	At intervals of 50 hours	At intervals of 100 hours	Each season	Before storage
Engine	Do a check of the engine oil level.	X	X					
	Change the engine oil (models with oil filter).				X ¹			X
	Change the engine oil (models without oil filter).			X ¹				X
	Clean the air filter.			X ³				
	Clean the air screen.			X ³				
	Do an inspection of the muffler and the spark arrester.				X			
	Replace the oil filter (if it is equipped).					X ¹	X	
	Clean the engine cooling fins.					X ³		
	Replace the spark plug.					X	X	
	Replace the paper cartridge of the air filter.					X ³		
	Replace the fuel filter						X	
	Do a check of the muffler. Refer to <i>To do a check of the muffler on page 33.</i>				X			

Lubrication schedule



CAUTION: Do not lubricate the pivot points that have special nylon bearings. Tacky lubricants can attach dirt. The dirt decreases the life of the special nylon bearings. If it is necessary to lubricate the nylon bearings, use only a small quantity of dry type lubricant.

¹ Do more frequently if you operate with a heavy load, in high ambient temperatures, or in dirty conditions.

¹ Do more frequently if you operate with a heavy load, in high ambient temperatures, or in dirty conditions.

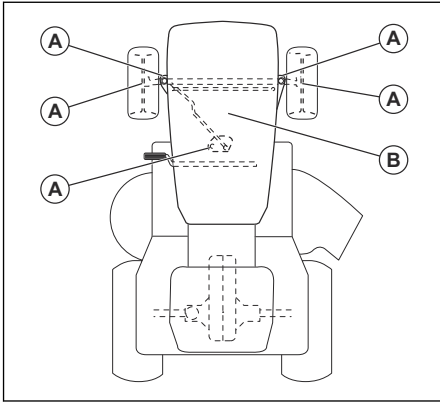
³ Do more frequently if you operate with in dirty conditions.

³ Do more frequently if you operate with in dirty conditions.

¹ Do more frequently if you operate with a heavy load, in high ambient temperatures, or in dirty conditions.

³ Do more frequently if you operate with in dirty conditions.

³ Do more frequently if you operate with in dirty conditions.



- A. General lubrication. Lubricate the spindle grease connection, front wheel bearing, gear teeth of the steering part.
- B. Engine lubrication. Refer to *To lubricate the engine on page 31*.

Tractor

To clean the product

Do not use a garden hose or a pressure washer to clean the surface except for the washout port. Keep water out of the engine and transmission. Water in the engine or transmission can decrease the life of the product. Use compressed air or a leaf blower to remove grass, leaves and litter.

- Clean all unwanted material from the engine, battery, seat and other parts of the product.
- Clean contamination from the steering plate. Contamination limits the movement of the clutch/brake pedal shaft, causes the belt to loosen and decreases forward movement.



CAUTION: Avoid all pinch points and movable parts.

- Keep the surfaces and wheels free of all gasoline, oil, and so on.
- Use automotive type wax to prevent damage to the surfaces.

To use the deck washout port



WARNING: Install bolts and locknuts in all holes in the cutting deck.



WARNING: Replace the broken or missing washout fitting immediately before you use the cutting deck.



WARNING: A broken or missing washout port can cause injury to you or others by thrown objects.

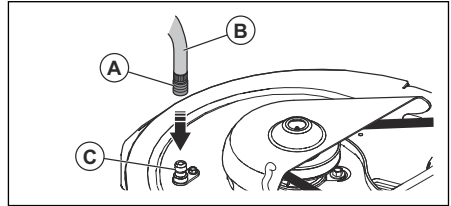
The product has a washout port as a part of the deck washout system. Use it after each operation.

1. Move the product to a level, clear area near a garden hose connected to a water outlet.



CAUTION: Make sure the discharge chute is far away from buildings, parked vehicles and other items of value. Remove the collector chute or mulch cover if necessary.

2. Make sure the attachment clutch control is in the "DISENGAGED" position.
3. Stop the engine and engage the parking brake.
4. Put the nozzle adapter (A) onto the end of the garden hose (B).



5. Connect the nozzle adapter on the washout port (C) on the left side of the cutting deck.



CAUTION: Pull the garden hose to make sure that the nozzle adapter is fully connected to the deck washout port.

6. Start the water supply.
7. Start the engine and put the throttle control in the fast position.



CAUTION: Make sure the area is clear and that there are no children in the area when you clean the cutting deck.

8. Sit in the seat and engage the cutting deck. Let the cutting deck operate until it is clean.
9. Disengage the cutting deck and stop the engine.
10. Stop the water supply.
11. Disconnect the garden hose and nozzle adapter from the deck washout port.
12. Move the product to a dry area.
13. Engage the cutting deck and let it operate until it is dry.

To adjust the throttle control cable

The throttle control is set at the factory and adjustment should not be necessary. If an adjustment is necessary, see the Engine manual.

To adjust the choke control

The choke control is set at the factory and adjustment should not be necessary. If an adjustment is necessary, see the Engine manual.

To examine the interlocks and the relays

Note: Loose or damaged wires can make your product run unsatisfactorily, stop running or prevent it from starting.

- Examine the wires.

To replace the headlight LED light

1. Open the engine cover.
2. Disconnect the wire harness from the LED light.
3. Remove the screws, the LED light, the reflector and the lens.
4. Install a new LED light.
5. Install the reflector and the lens with the screws.
6. Connect the wire harness to the LED light.
7. Close the engine cover.

To do a check of the tires

Note: To seal the tire holes and prevent flat tires because of slow leaks, purchase sealant from your local parts dealer. Tire sealant also prevents tire dry rot and corrosion.

- Make sure the air pressure in all tires is correct (See the sides of tires for correct PSI).
- Keep the tires free of gasoline, oil or insect control chemicals that can cause damage to the rubber.
- Keep the tires away from stumps, stones, rut pits, sharp objects and other dangerous objects that may cause tire damage.

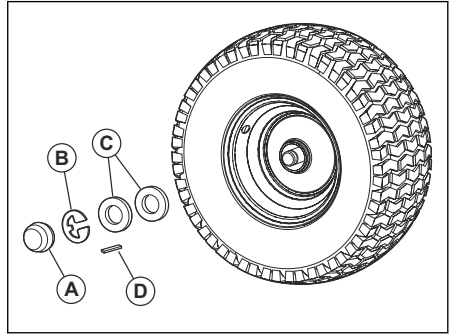
To repair the tires

1. Lift the front axle and support it safely.



CAUTION: Lift and support one axle at a time.

2. Remove the dust cover (A), the E-clip (B), the washer (C) and the square key (D).



Note: There are square keys on the rear wheels only.

3. Remove the wheel from the axle.
4. Remove the tire from the wheel.
5. Repair the tire.

Note: Use tire sealant to seal holes in the tire. Tire sealant also prevents tire dry rot and corrosion.

6. Install the tire on the wheel.
7. Install the wheel, the washer, the square key, and the E-clip on the axle. Make sure that the E-clip is installed correctly in the groove on the axle.
8. Install the dust cover.

To examine the V-belts

The belts are not adjustable.

- Examine the V-belts for deterioration and wear after each interval of 100 hours of operation.
- Replace the V-belts if they start to move because they are too worn.

To do maintenance on the transaxle cooling fan



CAUTION: Do not clean the fan or the transmission while the engine is on or while the transmission is hot.



CAUTION: Do not use a high-pressure washer or a steam cleaner. Water can go into bearings and electrical connections and cause corrosion which causes damage to the product.

To keep the transmission cool, keep the transmission fan and cooling fins clean.

- Before you clean with water, clean with a brush. Remove grass cuttings and dirt on and around the transaxle fan and cooling fins.
- Examine the cooling fan to make sure the fan blades are clean and not damaged.

To examine the transaxle pump fluid

- Make sure that the transaxle pump fluid does not leak.
- Speak to the nearest approved service center or department if the transaxle pump fluid leaks.

To adjust the front wheel toe-in and camber

The front wheel toe-in and camber is correctly set at the factory. The front wheel toe-in and camber are not adjustable.

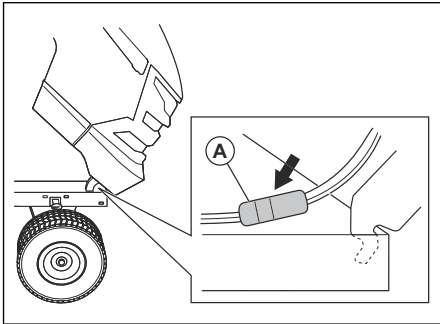
- Speak to an approved service center if the factory-set front wheel toe-in or camber is damaged.

To replace the fuse

This product has an automotive-type fuse. The fuse holder is located behind the dashboard.

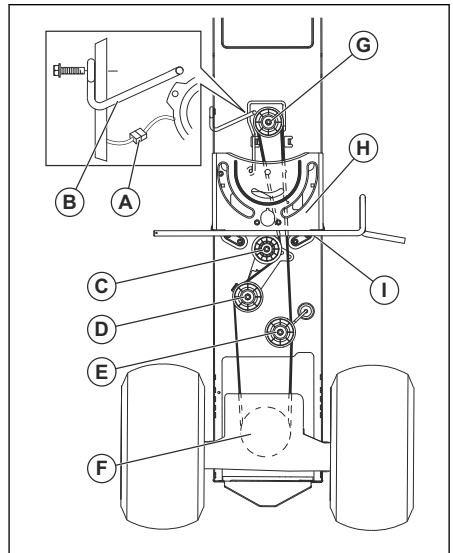
1. Hold the fuse holder and pull the blown fuse out.
2. Put a new fuse in the fuse holder.

To remove and install the engine cover and the grill assembly



1. Lift the engine cover.
2. Disconnect the headlight wire connector (A).
3. Stay in front of the tractor. Hold the engine cover on its sides. Tilt the engine cover in the direction of the engine and lift it to remove it from the product.
4. Install in the opposite sequence.

To replace the motion drive belt



Park the product on a level surface. Engage the parking brake. Refer to the belt installation decal on the bottom side of the left footrest.

1. Remove the belt.
 - a) Remove the mower. See *To remove and install the cutting deck on page 27*.
-
- Note:** Be careful with the motion drive belt and the position of the belt guides and keepers.
- b) Disconnect the clutch wire harness (A).
 - c) Remove the anti-rotation link (B) on the right side of the product.
 - d) Remove the belt from the stationary idler (C) and clutching idler (D).
 - e) Remove the belt from the centerspan idler (E).
 - f) Pull the belt to the rear part of the product. Carefully remove the belt from the transmission input pulley and above the cooling fan blades (F).
 - g) Remove the belt from the engine pulley and around the electrical clutch (G).
 - h) Move the belt to the rear part of the product and off the steering plate (H). Remove from the product.
2. Install the new belt from the rear part of the product to the front, and above the steering plate (H) and clutch brake pedal shaft (I).
 - a) Pull the belt to the front of the product and install the belt around the electrical clutch and onto engine pulley (G).
 - b) Pull the belt to the rear part of the product.

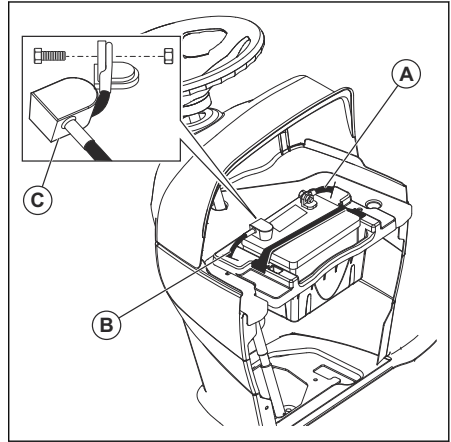
- c) Carefully install the belt below around the transmission cooling fan and onto the input pulley (F). Make sure the belt is in the belt keeper.
- d) Install the belt on the centerspan idler (E).
- e) Install the belt through the stationary idler (C) and clutching idler (D).
- f) Install the anti-rotation link (B) on the right side of the product and tighten fully.
- g) Connect the clutch harness (A).
- h) Make sure the belt is in all pulley grooves and in all belt guides and keepers.
- i) Install the mower. See *To remove and install the cutting deck on page 27*

8. Connect the red (positive) battery cable (B) and tighten the bolt and nut.



WARNING: The red cable (positive) terminal must be connected first to prevent sparks from accidental grounding.

9. Connect the black (negative) cable (A) and tighten the bolt and nut.
10. Lower the hood.



Battery

To clean the battery and the terminals

Corrosion and dirt on the battery and terminals can cause the battery to drain power.

1. Remove the terminal guard.
2. Disconnect the BLACK battery cable.
3. Disconnect the RED battery cable and remove the battery from the product.
4. Spray the battery with water and let dry.
5. Clean the terminals and battery cable ends with a wire brush.
6. Lubricate the terminals with grease or equivalent.
7. Install the battery. Refer to *To connect the battery on page 14*.

To replace the battery



WARNING: Do not short the battery terminals. Do not let tools or other objects touch the two terminals at the same time.



WARNING: Before you connect the battery, remove your metal bracelets, wristwatch bands, rings, and so on.

1. Lift the hood to a raised position.
2. Remove the terminal cover (C).
3. Disconnect the black (negative) ground cable (A) by removing the bolt and nut.



WARNING: The black cable (negative) terminal must be disconnected first.

4. Disconnect the red (positive) battery cable (B).
5. Carefully remove the battery from the product.
6. Install a new battery in the same position as the old battery.
7. Install the terminal cover (C).

To connect the jumper cables

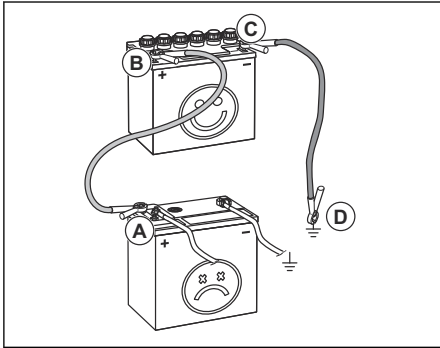


WARNING: Risk of explosion because of explosive gas that comes from the battery. Do not connect the negative terminal of the charged battery to or near the negative terminal of the weak battery.



CAUTION: Do not use the battery of your product to start other vehicles.

1. Connect one end of the red battery cable to the POSITIVE (+) battery terminal (A) on the weak battery.



2. Connect the other end of the red battery cable to the POSITIVE (+) battery terminal (B) on the charged battery.



WARNING: Do not let the ends of the red battery cable touch the

chassis. This will cause a short circuit.

3. Connect one end of the black battery cable to the NEGATIVE (-) battery terminal (C) on the charged battery.
4. Connect the other end of the black battery cable to a CHASSIS GROUND (D), away from the fuel tank and the battery.

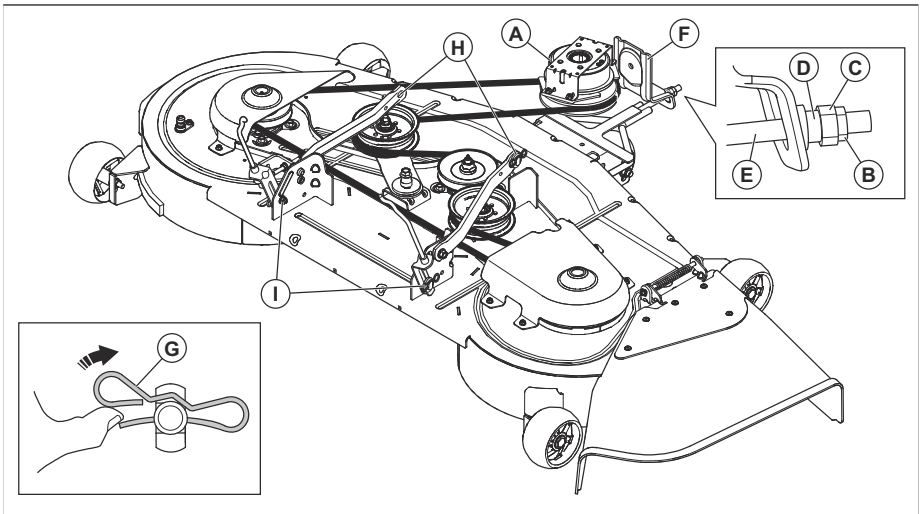
To remove the jumper cables

Note: Remove the jumper cables in the opposite sequence to how you connect them.

1. Remove the BLACK cable from the chassis.
2. Remove the BLACK cable from the fully charged battery.
3. Remove the RED cable from the 2 batteries.

Cutting deck

To remove and install the cutting deck



1. Park the product on a level surface and engage the parking brake.
2. Disengage the cutting deck and stop the engine.
3. Put the attachment lift lever in the lowest position.
4. Remove the the drive belt for the cutting deck from the electric clutch pulley (A).
5. Remove the lock nut (B), the nut (C), the bushing (D) and disconnect the front link (E) from the bracket (F) on the chassis.
6. Remove the clips (G) and the washers and disconnect the 2 suspension arms (H) from the chassis.
7. Remove the clips and the washers and disconnect the rear lift links (I) from the cutting deck.



WARNING: When the rear lift links are disconnected from the cutting deck, the attachment lift lever is spring loaded. Hold the attachment lift lever tightly if you change its position.

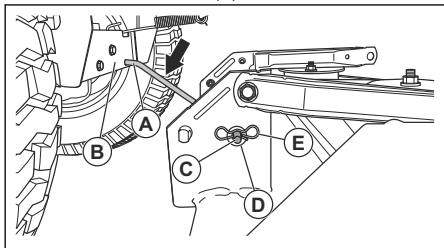
8. Remove the cutting deck from the product.

- Install the cutting deck in the opposite sequence. Make sure that the discharge side is on the right side of the product. Make sure that the drive belt for the cutting deck is installed correctly. Refer to *To remove the drive belt for the cutting deck on page 30*.

Note: The suspension arms must be in forward position when you move the cutting deck below the product.

To install the anti-sway bar

- From the right side of the cutting deck, put the 90° end of the anti-sway bar (A) into the hole in the transaxle bracket (B).



- Put the integrated washer end (C) of the anti-sway bar into the hole in the rear bracket on the right side of the cutting deck. Move the cutting deck if it is necessary.
- Install the washer (D) and the clip (E).

To adjust the parallelism of the cutting deck

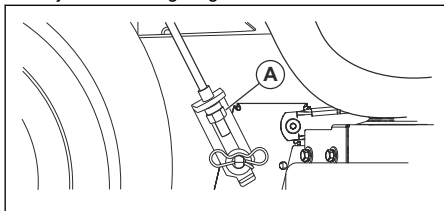
To do a visual side to side adjustment of the cutting deck

If the cutting height is not the same on the right and left side of the product, the cutting height can be adjusted. Adjust the cutting height on the side of cutting deck that has the lower cutting height.

- Make sure that the tires are fully inflated.
- Park the product on a level surface.
- Go to the side of cutting deck that has the lower cutting height.

Note: Some models only have left side adjustment.

- Adjust the cutting height with a 3/4" wrench.



Note: Each full turn of lift adjustment nut changes the cutting deck height 3/16" (4.7 mm).

- Turn the lift adjustment nut (A) to the left to lower the cutting deck.
 - Turn the lift adjustment nut (A) to the right to lift the cutting deck.
- Cut some grass and examine the results. Adjust if it is necessary.

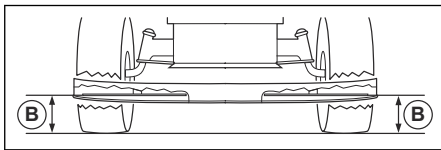
To do a precision side to side adjustment of the cutting deck

- Make sure that the tires are fully inflated.
- Park the product on a level surface.
- Put the cutting deck in the transport position. Refer to *To set the cutting deck in transport position or mow position on page 17*.
- Turn the outer blade tips to align with the cutting deck side to side.



WARNING: The blades on the cutting deck are sharp and can cause injury. Use protective gloves.

- Measure the distance (B) from the bottom edge of the blade to the ground on the left and right side.

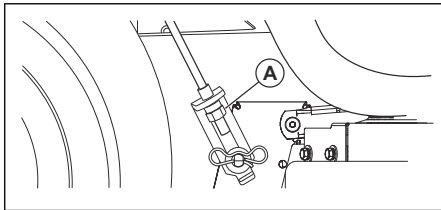


Note: The distance must be the same on the 2 sides.

- Adjust the cutting height with a 3/4 in wrench.

Note: Each full turn of the lift adjustment nut changes the cutting height with 3/16 in (4.7 mm).

- Turn the lift adjustment nut (A) to the left to lower the cutting deck.



- Turn the lift adjustment nut (A) to the right to lift the cutting deck.
- Measure the distance again. Adjust until the 2 sides are equal.

- Cut some grass and examine the results. Adjust if it is necessary.

To do a front to rear adjustment of the cutting deck

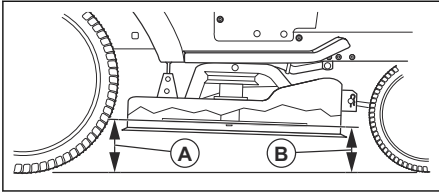
The cutting deck must be level side to side before you do front to rear adjustment. Refer to *To do a visual side to side adjustment of the cutting deck on page 28*.

- Make sure that the tires are fully inflated.
- Park the product on a level surface.
- Put the cutting deck in transport position. Refer to *To set the cutting deck in transport position or mow position on page 17*.
- Turn the blades until they point straight forward.



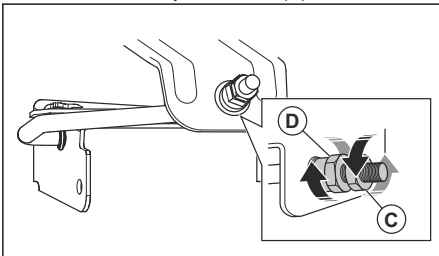
WARNING: The blades on the cutting deck are sharp and can cause injury. Use protective gloves.

- Measure the distance to the ground at the rear (A) and front (B) end of the blade.



Note: To get the best cutting results, the blades must be adjusted until the front end is 1/8–1/2 in (3.1–12.7 mm) lower than the rear end when the cutting deck is in the highest position.

- Go to the front of the product to make an adjustment.
- Use a 11/16 in wrench to loosen the jam nut (C) to clear the lift adjustment nut (D).



- Adjust the cutting deck height with a 3/4 in wrench.

Note: Each full turn of the lift adjustment nut changes the cutting deck height 1/8 in (3.1 mm).

- Turn the lift adjustment nut counterclockwise to lower the cutting deck.
 - Turn the lift adjustment nut clockwise to lift the cutting deck.
- Measure the front and rear distance again.
 - Adjust until the front end of the blade is 1/8–1/2 in (3.1–12.7 mm) lower than the rear end.
 - Hold the lift adjustment nut in position with the wrench and tighten the jam nut.

To replace the blades

For the best results, keep the mower blades sharp. Replace bent or damaged blades.

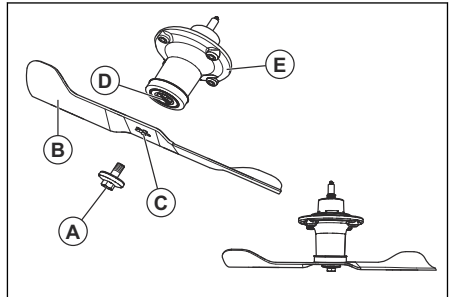


WARNING: The blades on the cutting deck are sharp and can cause injury. Use protective gloves.



CAUTION: Use only a replacement blade approved by the manufacturer. It is dangerous to use a blade not approved by the manufacturer of the product. This can cause damage to the product and void your warranty.

- Put the cutting deck in transport position. Refer to *To set the cutting deck in transport position or mow position on page 17*.
- Remove the bolt (A) by turning it counterclockwise and remove the blade (B).



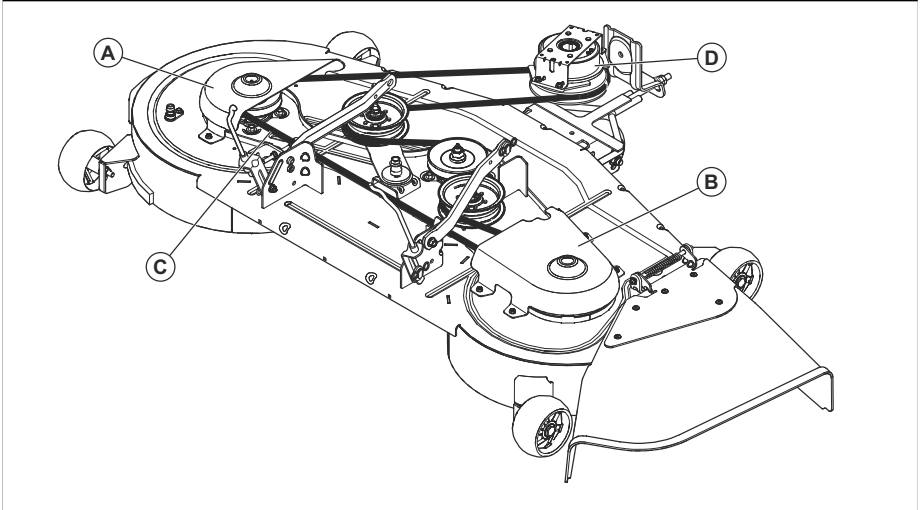
- Install the new or sharpened blade and the bolt.



CAUTION: The center hole (C) in the blade must align with the star (D) on the mandrel assembly (E).

- Torque the bolt to 45–55 ft-lbs (62-75 Nm).

To remove the drive belt for the cutting deck

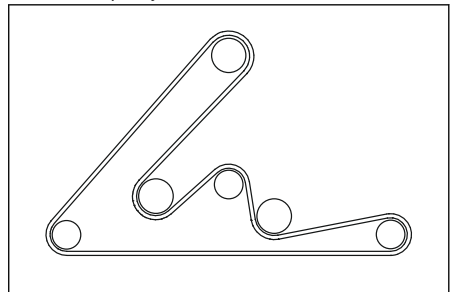
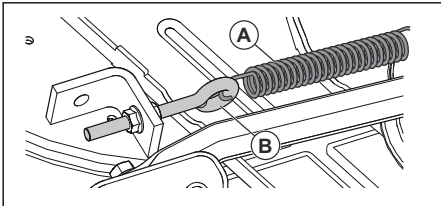


1. Park the product on a level surface and engage the parking brake.
2. Put the attachment lift lever in the lowest position.
3. Remove the mandrel covers (A) and (B).
4. Remove dirt and grass clippings around mandrels and from the top surface of the deck.
5. Turn the pulleys with your hand and pull the belt (C) to remove it from the groove in the pulleys.
6. Remove the belt from around the electrical clutch (D) on the engine shaft.

To install the drive belt for the cutting deck

Note: To easily install the drive belt for the cutting deck, refer to the routing decal on the cutting deck.

1. Make sure the deck spring (A) is attached to the eye bolt (B) on the idler arm.



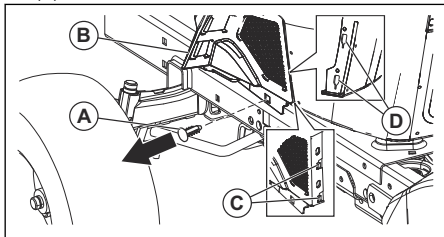
3. Install the belt from the rear part of the left side mandrel pulley.
4. Rotate the left side mandrel pulley to pull the belt into the groove on the left side mandrel pulley.
5. Refer to the routing decal on the cutting deck to make sure that the belt is installed correctly.



CAUTION: Make sure that the belt is not twisted.

To remove the lower cover

1. Lift the engine cover.
2. Remove the fastener (A) from the lower cover (B).



3. Carefully lift the lower cover (B) to release the cover tabs (C) for the slots that taper (D).

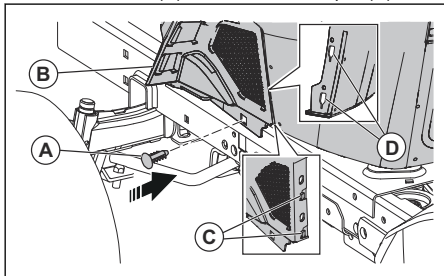


CAUTION: Be careful when you lift the lower cover, there is a risk of damage to the lower cover tabs (C).

4. Remove the lower cover.

To install the lower cover

1. Install the lower cover (B).
2. Carefully push the lower cover (B) to attach it to the cover tabs (C) in the slots that taper (D).



CAUTION: Be careful when you attach the lower cover, there is a risk of damage to the lower cover tabs (C).

3. Install the fastener (A) to the lower cover (B).
4. Lower the engine cover.

To replace the engine oil

If the engine is cold, start the engine for 1–2 minutes before you drain the engine oil. This makes the engine oil faster to drain.

Before the engine oil is replaced, find the correct oil temperature range.

Note: All oil must follow the recommended API service class SG-SL.

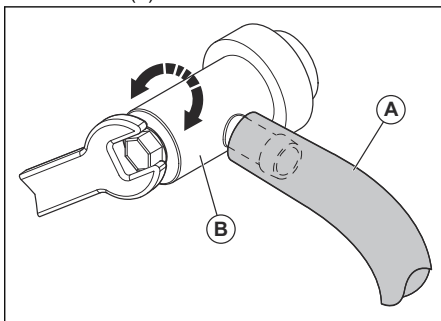


CAUTION: Make sure that no dirt goes into the engine when you replace the engine oil. Dirt can cause damage to the engine.



WARNING: The engine oil is very hot directly after the engine stops. Let the engine become cool before you drain the engine oil. If you spill engine oil on your skin, clean with soap and water.

1. Park the product on a level surface.
2. Remove the lower cover. Refer to *To remove the lower cover on page 32*.
3. Remove the dipstick.
4. Install the oil drain tube (A) on the engine oil drain valve (B).



5. Put a container below the engine to catch the engine oil.
6. Turn the oil drain valve counterclockwise to open the oil drain valve. Use a 10 mm wrench.
7. When all engine oil is drained, turn the oil drain valve clockwise to close it. Use a 10 mm wrench.
8. Use the 10 mm wrench to carefully torque the oil drain valve closed. Do not tighten too tightly.



CAUTION: Do not apply too much torque when you tighten the oil drain valve.

9. Remove the oil drain tube from the oil drain valve.
10. Fill the engine with new engine oil through the dipstick tube. Fill slowly. Do not fill the engine with too much engine oil. For the approximate capacity, refer to *Technical data on page 40*.
11. Do a check of the engine oil level. Refer to *To do a check of the engine oil level on page 31*.
12. Install the lower cover. Refer to *To install the lower cover on page 32*.

To replace the engine oil filter



WARNING: Use protective gloves. If you spill engine oil on your body, clean with soap and water.

1. Drain the engine oil from the oil tank. Refer to *To replace the engine oil on page 32*.
2. Turn the engine oil filter counterclockwise to remove it.
3. Lightly lubricate the rubber seal on the new oil filter with new engine oil.
4. To install the new oil filter, turn it clockwise until the rubber seal fits correctly, then tighten a half turn more.
5. Fill the oil tank with new engine oil. Refer to *To replace the engine oil on page 32*.
6. Start the engine and let it operate at idle speed for 3 minutes.
7. Stop the engine and make sure that there is no oil leakage from the oil filter.

Note: If there is oil leakage, tighten the oil filter again.

8. Fill the oil tank with more engine oil to replace the engine oil that the new oil filter has absorbed.

To clean the air filter

The engine will not run satisfactorily with a dirty air filter. Clean the air filter more frequently in dusty conditions.

To clean the air screen

Note: The air screen must be kept free of dirt to prevent engine damage caused by overheating.

- Clean the air screen with a wire brush or compressed air to remove dirt.

To do maintenance on the engine cooling system

Note: A blocked grass screen, dirty or full cooling fins, and/or removed blower housing, and so on, can make the engine too hot and cause engine damage.

- Make sure that the grass screen, the cooling fins, and other external surfaces of the engine are clean at all times.
- After each interval of 100 hours of operation (more often in extremely dusty and dirty conditions), remove the blower housing and other parts of the engine cooling system. Clean the cooling fins and external surfaces as necessary. Make sure that the engine cooling system parts are installed correctly.

To do a check of the muffler

- Examine the muffler regularly to make sure that it is attached correctly and not damaged.

To replace the spark plugs

The spark plug type and clearance (gap setting) are shown in .

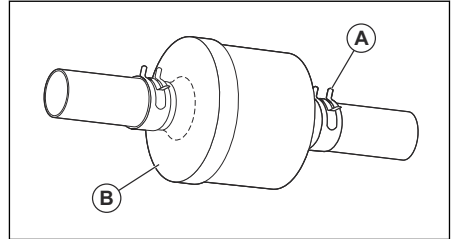
- Replace the spark plugs at the start of each cutting season or after each interval of 100 hours of operation.

To replace the in-line fuel filter

Note: Replace the in-line fuel filter every year at minimum.

Replace the in-line filter if it becomes clogged and stops the flow of fuel to the carburetor.

1. Let the engine cool.
2. Remove the in-line fuel filter (B) and seal the fuel line sections with plugs.
3. Put the new in-line fuel filter in position in the fuel line with the arrow pointing to the carburetor.
4. Make sure that there are no fuel line leaks and that the clamps (A) are in the correct position.
5. If you spill, immediately clean the product.



To remove the air from the transmission



CAUTION: Do not engage or disengage freewheel lever when the engine is in operation.

To keep high performance, remove the air in the transmission before you operate the product for the first time.

If you replace the transmission, remove the air in the new transmission before you operate the product.

1. Park the product on a level surface that is clear and open.
2. Stop the engine and engage the parking brake.
3. Put the freewheel control in the disengaged position. Refer to *Transportation on page 39*.

4. Start the engine. When the engine has started, move the throttle control to the slow position and disengage the parking brake.
 5. Do the steps that follow 3 times.
-
- Note:** During this procedure, there can be movement of the drive wheels.
-
- a) Push the forward drive pedal to the full forward position and keep it pushed down for 5 seconds before you release it.
 - b) Push the reverse drive pedal to the full reverse position and keep it pushed down for 5 seconds before you release it.
6. Stop the engine and engage the parking brake.
 7. Put the freewheel control in the engaged position. Refer to *Transportation on page 39*.
 8. Sit in the seat and start the engine. When the engine has started, move the throttle control to the half speed position.
 9. Disengage the parking brake.
 10. Operate the product forward for approximately 5 ft (1.5 m) then rearward for 5 ft (1.5 m). Do this procedure 3 times.

Troubleshooting

Problem	Cause	Action
The engine does not start.	There is no fuel in the fuel tank.	Fill the fuel tank.
	The throttle control is not in the correct position.	Refer to the start instructions.
	The spark plug is damaged.	Replace the spark plug.
	The air filter is dirty.	Clean or replace the air filter.
	The fuel filter is clogged.	Replace the fuel filter.
	There is water in the fuel.	Remove all fuel from the fuel tank and the carburetor. Fill the fuel tank with new fuel and replace the fuel filter.
	The wires are loose or damaged.	Do a check of all wires.
	The engine valves are not adjusted correctly.	Speak to an approved service agent.
	The engine is flooded.	Wait 2–3 minutes before you try to start the engine again.
The fuel in the fuel tank is bad.	Replace the fuel in the fuel tank.	

Problem	Cause	Action
The starter motor does not turn the engine over.	The battery is too weak.	Charge the battery.
	The attachment clutch control is engaged.	Disengage the attachment clutch control.
	The clutch/brake pedal is not pushed down fully.	Push down the clutch/brake pedal fully when you start the engine.
	The connection at the cable connectors on the battery terminals is bad.	Do a check of the battery connections.
	The main fuse is damaged.	Replace the main fuse.
	The ignition lock is damaged.	Speak to an approved service agent.
	The safety connector for clutch/brake pedal is damaged.	Speak to an approved service agent.
	The starter motor or the solenoid is damaged.	Speak to an approved service agent.
	The operator presence control (OPC) does not operate correctly.	Do a check of the wires, switches and connections. If not corrected, speak to an approved service agent. Do not use a product with an operator presence control that does not operate correctly.
The engine does not run smoothly.	The spark plug is damaged.	Replace the spark plug.
	The carburetor is not adjusted correctly.	Speak to an approved service agent.
	The air filter is dirty.	Clean or replace the air filter.
	The check valve on the fuel tank cap is damaged.	Replace the fuel tank cap.
	The fuel tank is almost empty.	Fill the fuel tank with fuel.
	There is water in the fuel.	Remove all fuel from the fuel tank and the carburetor. Fill the fuel tank with new fuel and replace the fuel filter.
	The choke is engaged and the engine is warm.	Disengage the choke.
	The fuel mix or fuel type is incorrect.	Remove all fuel from the fuel tank and the carburetor. Fill the fuel tank with the correct fuel mix or fuel type.
	The fuel filter is clogged.	Replace the fuel filter.
	The spark plug is damaged.	Replace the spark plug.
There is dirt in the carburetor or fuel line.	Clean the carburetor and fuel lines.	

Problem	Cause	Action
The engine becomes too hot.	There is overload in the engine.	Decrease the workload.
	The air intake or the cooling fins on the engine are blocked.	Clean the air intake and the cooling fins on the engine.
	The cooling fan is damaged.	Speak to an approved service agent.
	The engine oil level is too low.	Do a check of the engine oil level. Fill with engine oil if it is necessary.
	The ignition lock is damaged.	Speak to an approved service agent.
	The spark plug is damaged.	Replace the spark plug.
There is loss of power.	The product is operated at too high forward or rearward speed when you cut grass.	Use slower speed.
	The throttle control is in the choke position.	Put the throttle control in the fast position.
	There is build-up of grass, leaves or unwanted material under the cutting deck.	Clean the cutting deck.
	The air filter is dirty.	Clean or replace the air filter.
	The engine oil level is too low.	Do a check of the engine oil level. Fill with engine oil if it is necessary.
	The engine oil is dirty.	Replace the engine oil.
	The spark plug is damaged.	Replace the spark plug.
	The fuel filter is dirty.	Replace the fuel filter.
	The fuel in the fuel tank is bad.	Replace the fuel in the fuel tank.
	There is water in the fuel.	Remove all fuel from the fuel tank and the carburetor. Fill the fuel tank with new fuel and replace the fuel filter.
	The spark plug wire is loose.	Connect and tighten the spark plug wire.
	The air intake or the cooling fins on the engine are blocked.	Clean the air intake and the cooling fins on the engine.
	The muffler is clogged or damaged.	Clean or replace the muffler.
	There is loose or damaged wiring.	Do a check of all wiring.
	The engine valves are not adjusted correctly.	Speak to an approved service agent.
There is vibration in the product.	The blades are loose.	Tighten bolts on the blades.
	One or more of the blades are damaged or not balanced.	Balance the blades or replace the blades.
	The engine is loose.	Tighten the engine bolts.

Problem	Cause	Action
The battery does not charge.	The main fuse is damaged.	Replace the main fuse.
	The battery is damaged.	Replace the battery.
	The charging cable is disconnected.	Connect the charging cable.
	The connection at the cable connectors on the battery terminals is bad.	Do a check of the battery connections.
The engine operates when the operator gets up from the seat when the cutting deck is engaged.	The operator presence control (OPC) does not operate correctly.	Do a check of the wires, switches and connections. If not corrected, speak to an approved service agent. Do not use a product with an operator presence control that does not operate correctly.
The blades cannot rotate.	There is blockage in the clutch mechanism.	Remove the blockage.
	The drive belt for the cutting deck is worn or damaged.	Replace the drive belt for the cutting deck.
	An idler pulley is frozen.	Replace the idler pulley.
	A blade mandrel is frozen.	Replace the blade mandrel.
Damaged grass discharge.	The engine speed is too slow.	Put the throttle control in the fast position.
	The product is operated at too high forward or rearward speed.	Use slower speed.
	The grass is wet.	Let the grass become dry before you cut it.
	The cutting deck is deck not parallel.	Adjust the parallelism of the cutting deck. Refer to <i>To adjust the parallelism of the cutting deck on page 28</i> .
	The tire pressure is incorrect.	Do a check of the tire pressure. Adjust the tire pressure if it is necessary.
	The blades are worn, damaged or loose.	Replace blades or tighten bolts on the blades.
	Buildup of grass or dirt below the cutting deck.	Clean the cutting deck.
	The drive belt for the cutting deck is worn or damaged.	Replace the drive belt for the cutting deck.
	The blades are incorrectly installed.	Install the blades with the sharp edge down.
	Incorrect blades are used.	Replace the blades with the correct blades in the parts manual.
	Clogged air holes of the cutting deck from buildup of grass, dirt around mandrels.	Clean around mandrels to open air holes.

Problem	Cause	Action
The headlight does not function.	The headlight switch is in the off position.	Turn the headlight switch to the on position.
	The light bulb is damaged.	Replace the light bulb.
	The power switch for the headlight is damaged.	Replace power switch for the headlight.
	The cable to the headlight is not connected.	Do a check of wires and connections.
	There is short-circuit in the headlight cable.	Speak to an approved service agent.
The product moves slowly, with irregular speed or not at all.	The product is in freewheel mode.	Pull out the freewheel control lever. Refer to <i>To put the product in freewheel mode on page 20</i> .
	The parking brake is engaged.	Disengage the parking brake.
	The drive belt is loose or damaged.	Replace drive belt.
	There is air in the transmission.	Remove the air from the transmission. Refer to <i>To remove the air from the transmission on page 33</i> .
	There is unwanted materials on the steering plate (if the steering plate is installed).	Clean the product.
	The square key on the axle is missing.	Install the square key. Refer to <i>To repair the tires on page 24</i> .
The cutting result is unsatisfactory.	The blades are blunt or damaged.	Sharpen the blades or replace the blades.
	The cutting deck is not parallel.	Adjust the parallelism of the cutting deck. Refer to <i>To adjust the parallelism of the cutting deck on page 28</i> .
	The grass is wet.	Let the grass become dry before you cut it.
	The grass is long.	Start with a high cutting height and decrease it gradually.
	The tire pressure is incorrect.	Do a check of the tire pressure. Adjust the tire pressure if it is necessary.
	The product is operated at too high forward or rearward speed.	Use slower speed.
	The drive belt for the cutting deck is worn or damaged.	Replace the drive belt for the cutting deck.
The engine backfires when the engine stops.	The throttle control is not put in the slow position.	Refer to <i>To stop the product on page 18</i> .
The engine stops when you try to reverse.	The reverse operation system (ROS) is not engaged.	Engage the reverse operation system (ROS). Refer to <i>To use the reverse operation system (ROS) on page 19</i> .

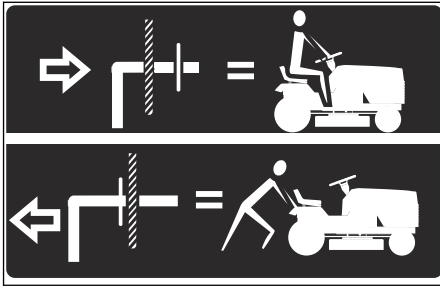
Transportation, storage and disposal

Transportation

Note: Close and attach the hood to the product during transportation to prevent damage. Connect the hood to the product with the correct tools (rope, cord and so on).

Note: Use full width ramps for loading and unloading the product for transport.

When you move the product, put the freewheel control in freewheeling position to disengage the transmission. Freewheel control is at the rear drawbar of the product.



1. Lift the attachment to the highest position with the attachment lift control.
2. Pull the freewheel control out and into the slot and release to hold it in the disengaged position.
3. Do not move the product at more than two (2) mph (3.2 km/h).
4. To reengage transmission, reverse the above procedure.

Tow safety

- Only use tow equipment approved by Husqvarna.
- Use the tow bar to attach the equipment.
- Do not tow equipment that is heavier than the maximum permitted weight.
- Make sure that no other persons is near the product when you tow equipment.
- Do not tow equipment on slopes or rough ground.
- Operate the product at low speed when you tow equipment.

Storage

Prepare the product for storage at the end of the season, and before more than 30 days of storage. If you keep fuel in the fuel tank for 30 days or more, tacky particles can cause blockage in the carburetor. This has a negative effect on the engine function.

To prevent tacky particles during storage, add a stabilizer. If alkylate gasoline is used, stabilizer is not necessary. If you use standard gasoline, do not change to alkylate gasoline. This can cause sensitive rubber parts to become hard. Add stabilizer to the fuel in the tank or in the container used for storage. Always use the mixing ratios given by the manufacturer. Run the engine for a minimum of 10 minutes after you add the stabilizer until it flows into the carburetor.



WARNING: Do not keep the product with fuel in the tank in an indoor location or in locations with bad airflow. Risk of fire if fuel fumes come near open flames, sparks, or pilot lights in for example boilers, hot water tanks and clothes dryers.



WARNING: Remove grass, leaves and other flammable materials from the product to decrease the risk of fire. Let the product become cool before you put it in storage.



CAUTION: If you remove the battery from the product, do not keep the battery directly on concrete or damp surfaces.

- Clean the product, refer to *To clean the product on page 23*.
- Repair paint damages to prevent corrosion.
- Examine the product for worn or damaged parts and tighten loose screws and nuts.
- Examine the belts and replace them if they are worn or damaged.
- If the product is put in storage for the winter, remove and clean the cutting deck. Keep the cutting deck in a clean and dry environment.
- Charge the battery fully.

Note: It can be necessary to charge the battery again after a period of time in storage.

- Disconnect the battery and clean the terminals and connectors. Refer to *To clean the battery and the terminals on page 26*.
-



CAUTION: Risk of short circuit. Make sure that you put the disconnected battery cables in a position where they cannot touch the battery or the terminals.

- Change the engine oil, and discard the waste oil.
 - Empty the fuel tank. Start the engine and run it until there is no remaining fuel in the carburetor.
-

Note: Do not empty the fuel tank and carburetor if a stabilizer has been added.

- Remove the spark plugs and put about a tablespoon of engine oil into each cylinder. Manually turn the engine shaft to apply the oil. Install the spark plugs.
 - Lubricate all grease nipples, joints and axles.
 - Keep the product in a clean and dry area and put a cover on it for more protection.
-



CAUTION: Do not put a cover on the product when the engine or exhaust is warm.

- A cover for protection of your product during storage or transport is available at your dealer.
-

Disposal

- Chemicals can be dangerous and must not be discarded on the ground. Always discard used chemicals at a service center or an applicable disposal location.
 - When the product is worn out, send it to the dealer or to an applicable recycling location.
 - Oil, oil filters, fuel and the battery can have negative effects on the environment. Obey the local recycling requirements and applicable regulations.
 - Do not discard the battery as domestic waste.
 - Send the battery to a Husqvarna servicing dealer or discard it at a disposal location for used batteries.
-

Technical data

	TS 375XD (48)
Engine	
Engine brand	Kawasaki
Engine model	FR730V
Nominal engine output, HP / kW ¹	24 / 17.9 @ 3400 rpm
Max. engine speed, rpm	3300 ± 100
Maximum speed forward, mph / km/h	5.5 / 8.9
Maximum speed reverse, mph / km/h	2.5 / 4
Fuel, minimum octane grade, lead-free, max 10% Ethanol and max 15% MTBE, AKI / RON	87 / 91
Fuel tank volume, gallons / l	4 / 15.14
Oil type above 32°F / 0°C (API: SJ-SN):	SAE 10W30
Oil type below 32°F / 0°C (API: SJ-SN):	SAE 5W30

¹ The power rating as declared by the engine manufacturer is the average gross power output at the specified RPM of a typical production engine for the engine model measured using SAE Standards for engine gross power. Refer to the engine manufacturer engine specifications.

	TS 375XD (48)
Oil volume with oil filter, oz / l	68 / 2.1
Oil volume without oil filter, oz / l	61 / 1.8
Lubrication system	Pressure with oil filter
Cooling system	Air cooled
Air filter	Dual
Alternator, V. amp. @ 3600 rpm	12 V 15 amp @ 3600 rpm
Start motor	Electric start 12 V
Weight	
Weight, with empty tanks, lb / kg	675 / 306
Cutting deck	
Number of blades	3
Blade length, in. / cm	16.5 / 41.91
Cutting Width, in. / cm	48 / 122
Cutting Height, in. / cm	1.5-3.8 / 3.8-9.7
Tires	
Tire pressure, rear – front, PSI / kPa / bar	15 / 103 / 1
Front tires, in.	16x6.5-8
Rear tires, turf pneumatic, in.	22x11-10
Brakes	Mechanical parking brake
Electrical system	
Type	12 V
Battery	28 A
Spark plug	BPR4ES
Electrode gap, in. / mm	0.030 / 0.76
Spark plug torque, lb-ft / Nm	16 / 22

Service

Service

Do a yearly check at an authorized service center to make sure that the product functions safely and at its best during high season. The best time to do a servicing or overhaul of the product is low season.

When you send an order for the spare parts, give information about the purchase year, model, type, and serial number.

Always use original spare parts.

Contenido

Introducción.....	42	Transporte, almacenamiento y eliminación de residuos.....	83
Seguridad.....	46	Almacenamiento.....	83
Montaje.....	51	Eliminación.....	84
Funcionamiento.....	56	Datos técnicos.....	84
Mantenimiento.....	62	Servicio.....	86
Solución de problemas.....	77	Anexo	87

Introducción

Inspección previa a la entrega y números de producto

que su distribuidor le entregue una copia firmada del documento de inspección previa a la entrega.

Tenga en cuenta: A este producto se le hizo una inspección antes de la entrega. Asegúrese de

Husqvarna información de contacto del distribuidor de mantenimiento:	
Este manual de usuario pertenece al producto con el número de producto/número de serie:	
/	
Motor:	
Transmisión:	

Descripción del producto

Este es un tractor de césped con el equipo de corte instalado entre los ejes delantero y trasero. Tiene un motor de cuatro ciclos que utiliza gasolina.

Accesorios opcionales:

- Recogedor de césped
- Conector del mantillo

Uso previsto

Este producto solo se utiliza para cortar el césped en jardines privados y en pendientes de jardines privados no superiores a 15° de pendiente. No se debe utilizar en parques públicos, campos de deporte ni en los sectores agrícola o forestal. Utilice el producto solo con accesorios aprobados por el fabricante.

Utilizar el producto de manera diferente es un uso incorrecto. Anulará su garantía y se rechazará la responsabilidad por daños al usuario de terceros en la parte del fabricante.

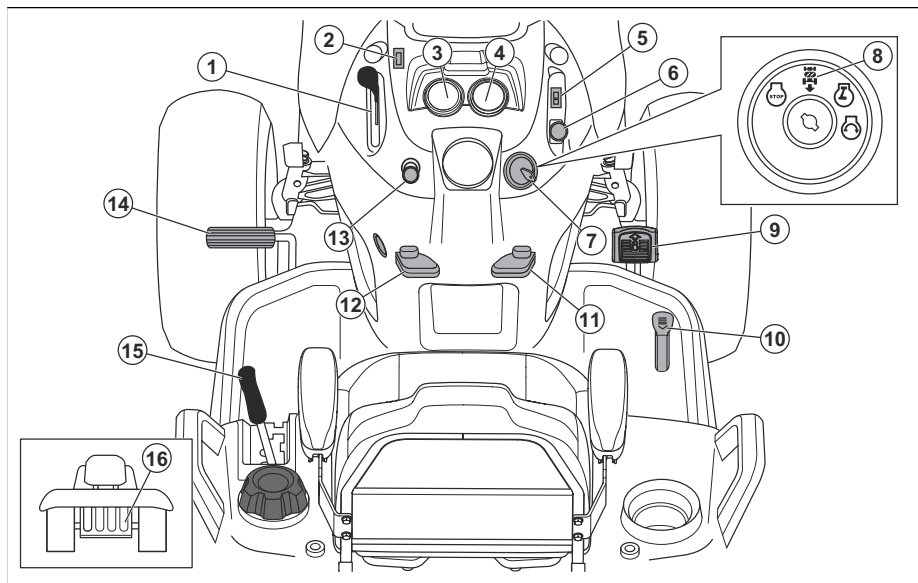
Consulte las directivas locales para el funcionamiento de los cortacéspedes.

Soporte/ayuda

Si necesita asistencia o tiene alguna pregunta acerca de la aplicación, operación, mantenimiento o piezas de su producto:

- Visite nuestro sitio web: www.husqvarna.com
- Llámenos de manera gratuita: 1-800-487-5951

Descripción general del producto



1. Control del acelerador
2. Interruptor de luz
3. Medidor de horas
4. Amperímetro
5. Interruptor de bloqueo del diferencial
6. Botón de PTO
7. Interruptor de encendido
8. Sistema de funcionamiento en reversa (ROS) en la posición ON
9. Pedal para avanzar
10. Pedal de reversa
11. Palanca de control crucero
12. Palanca del freno de estacionamiento
13. Estrangulador
14. Pedal de freno
15. Palanca de elevación de accesorio
16. Palanca de rueda libre



Lea atentamente el manual de instrucciones y asegúrese de que entiende las instrucciones antes de usar este producto.

R

Reversa.

N

Neutro.

H

Alta.

L

Baja.



Estrangulador.



Rápido.

Símbolos en el producto



Advertencia: Tenga cuidado y utilice el producto correctamente. Este producto puede causar daños graves o fatales al operador o a otras personas.



PRECAUCIÓN: El uso incorrecto puede causar daños al producto o a la propiedad personal.



Lento.



Interruptor de encendido.



Motor apagado.



Puesta en marcha del motor.



Motor en marcha.



Bloqueo de diferencial.



Pedal de embrague y de freno.



Freno de estacionamiento.



Altura de corte.



Elevación del equipo de corte.



Sistema de funcionamiento en reversa (ROS).



Reversa.



Hacia delante.



Luces encendidas.



Batería.



Las cuchillas están desacopladas.



Las cuchillas están acopladas.



Peligroso, mantenga las manos y los pies alejados esta área.



Combustible.



Utilice gafas protectoras.



Use protección auricular aprobada.



Mantenga la zona despejada cuando conduzca hacia delante.



No haga funcionar el producto mientras haya animales o personas cerca, especialmente niños.



Riesgo de pendiente. No opere el producto en subida en una pendiente mayor que 15°.



Riesgo de pendiente. No opere horizontalmente en una pendiente.



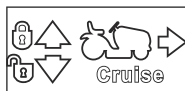
Riesgo de pendiente. No opere el producto en bajada en una pendiente mayor que 15°.



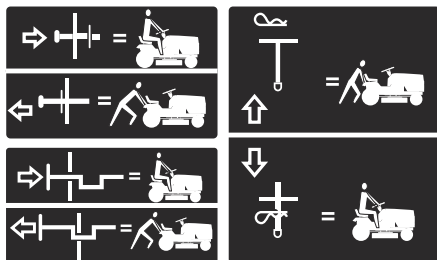
El símbolo de superficies calientes indica que hay un riesgo que, si no se evita, podría provocar la muerte, lesiones graves o daños.



El símbolo de fuego indica que hay un riesgo que, si no se evita, podría provocar la muerte, lesiones graves o daños.



Control crucero.



Rueda libre (solo modelos automáticos).

Etiqueta en el producto



PELIGRO: mantenga las manos y los pies lejos.

Medidor de horas

El medidor de horas muestra por cuántas horas ha funcionado el motor. Consulte *Descripción general del producto en la página 43* para conocer la posición del medidor de horas.

Para restablecer manualmente el medidor de horas, gire la llave de encendido a la posición de encendido y, luego, a la posición "STOP" cinco veces.

Tenga en cuenta: El medidor de horas solo se detiene cuando la llave de encendido está en la posición "STOP". Asegúrese de que la llave de encendido permanezca en la posición "STOP" cuando el motor se haya detenido.

Daños en el producto

No somos responsables de los daños a nuestro producto en los siguientes casos:

- el producto se repara incorrectamente
- el producto se repara con piezas que no son del fabricante o que este no autoriza
- el producto tiene un accesorio que no es del fabricante o que este no autoriza
- el producto no se repara en un centro de servicio autorizado o por una autoridad aprobada.

Seguridad

Definiciones de seguridad

Las advertencias, precauciones y notas se utilizan para señalar las piezas particularmente importantes del manual.



ADVERTENCIA: Se utilizan para señalar el riesgo de lesiones graves o mortales para el operador o aquellos que se encuentren cerca si no se siguen las instrucciones del manual.



AVISO: Se utilizan para señalar el riesgo de dañar la máquina, otros materiales o el área adyacente si no se siguen las instrucciones del manual.

Tenga en cuenta: Se utilizan para entregar más información necesaria en situaciones particulares.

Prácticas de uso seguro para cortacésped



ADVERTENCIA: Este producto puede amputar manos y pies, y arrojar objetos. El incumplimiento de las siguientes instrucciones de seguridad puede ocasionar daños graves o la muerte.



ADVERTENCIA: Siempre desconecte el cable de la bujía y colóquelo en un lugar en el que no entre en contacto con la bujía para evitar el arranque accidental durante la configuración, el transporte, o cuando esté haciendo ajustes o reparaciones.



ADVERTENCIA: No baje pendientes en punto muerto, ya que puede perder el control del tractor.



ADVERTENCIA: Remolque únicamente con accesorios recomendados por las especificaciones del fabricante del tractor y cumpla con las especificaciones de este. Use el sentido común al remolcar. Cuando esté en una pendiente, utilice la máquina únicamente a la velocidad más baja posible. Es peligroso transportar mucho peso cuando opere la máquina en una pendiente. Debido a que es posible que

los neumáticos pierdan tracción con el suelo, lo que puede provocar que pierda el control del tractor.



ADVERTENCIA: Los gases de escape del motor, algunos de sus componentes y algunos componentes del vehículo contienen o emiten químicos que según el Estado de California provocan cáncer y malformaciones congénitas u otros daños reproductivos.



ADVERTENCIA: Los postes de batería, terminales y accesorios relacionados contienen plomo y compuestos de plomo, químicos que según el Estado de California provocan cáncer y malformaciones congénitas u otros daños reproductivos. Lávese las manos luego de su uso.



ADVERTENCIA: No utilice el producto en condiciones climáticas adversas. Esto incluye niebla, lluvia, zonas húmedas o mojadas, viento fuerte, frío extremo o riesgo de rayos. El uso del producto en tales condiciones puede provocar la pérdida de control, lesiones o la muerte.

I. NIÑOS



ADVERTENCIA: LOS NIÑOS PUEDEN RESULTAR LESIONADOS POR ESTE EQUIPO. La Academia Americana de Pediatría recomienda que los niños tengan un mínimo de 12 años antes de operar un cortacésped de manejo a pie y un mínimo de 16 años antes de operar un cortacésped montado.



ADVERTENCIA: ESTE EQUIPO ES PELIGROSO PARA LOS NIÑOS, PUEDE CAUSAR LESIONES GRAVES O LA MUERTE. Lea atentamente las siguientes instrucciones de seguridad y cumpla lo que se indica.

Pueden ocurrir accidentes trágicos si el operador no está alerta de la presencia de niños. A los niños suelen atraerles las máquinas y el corte del césped. Nunca dé por un hecho que los niños permanecerán donde usted los vio por última vez.

- Mantenga a los niños alejados de la zona de corte y bajo la supervisión de un adulto responsable aparte del operador.
- Manténgase alerta y apague la máquina si un niño entra en la zona.
- Antes y durante la marcha atrás, mire hacia atrás y hacia abajo para ver si hay niños pequeños.
- Nunca lleve niños arriba de la máquina, incluso cuando las cuchillas estén desactivadas. Pueden caerse y lesionarse gravemente o interferir en el funcionamiento seguro de la máquina. Los niños a quienes se les da una vuelta en la máquina pueden aparecer de repente en el área de corte para otra vuelta y ser atropellados o golpeados con la máquina.
- Nunca permita que los niños operen la máquina.
- Tenga extremo cuidado cuando se acerca a curvas sin visibilidad, arbustos, árboles u otros objetos que puedan bloquear su visión e impedir que vea a un niño.

II. OPERACIÓN GENERAL

- Lea, entienda y siga todas las instrucciones sobre la máquina en el manual antes de comenzar.
- No coloque las manos ni los pies cerca de las partes giratorias ni debajo de la máquina. Manténgase alejado de la abertura de descarga en todo momento.
- Solo permita que los adultos responsables, que estén familiarizados con las instrucciones, operen la máquina.
- Quite de la zona objetos como rocas, juguetes, cables, etc. que podrían engancharse en la cuchilla y ser arrojados.
- Asegúrese de que el área esté libre de personas antes de operar la máquina. Detenga la máquina si alguien entra en el área.
- Nunca transporte pasajeros
- No corte el césped en reversa a menos que sea absolutamente necesario. Siempre mire hacia abajo y hacia atrás antes y cuando vaya en reversa.
- Nunca dirija el material que se descarga hacia nadie. Evite descargar el material contra una pared u otra obstrucción. El material puede rebotar hacia el operador. Detenga las cuchillas cuando atraviese superficies de grava.
- No maneje la máquina si no tiene la trampa para césped completa, la canaleta de descarga u otros dispositivos de seguridad en su lugar y en funcionamiento.
- Desacelere antes de dar la vuelta.
- Nunca deje la máquina en funcionamiento sin vigilar. Siempre apague las hojas, coloque el freno de estacionamiento y detenga el motor antes de bajarse.
- Desenganche las hojas cuando no esté cortando césped. Apague el motor y espere que todas las piezas se detengan completamente antes

- de limpiar la máquina, quitar el recogedor de césped o destapar el conducto de expulsión.
- Opere la máquina únicamente durante el día o con buena luz artificial.
- Solo utilice el producto después de haber recibido la capacitación adecuada. La capacitación debe incluir instrucciones para un uso seguro y operaciones prohibidas.
- No utilice el producto si se encuentra fatigado, enfermo o bajo los efectos del alcohol, drogas o medicamentos que puedan afectar su visión, estado de alerta, coordinación o juicio.
- Esté pendiente del tráfico cuando opere la máquina cerca de caminos o al cruzarlos.
- Tenga extremo cuidado cuando cargue o descargue la máquina de un remolque o camión.
- Use siempre protección ocular cuando opere la máquina.
- Utilice protectores auriculares para evitar daños en los oídos.
- Los datos indican que los operadores de 60 o más años de edad se ven involucrados en un alto porcentaje de lesiones relacionadas con los cortacéspedes. Estos operadores deben evaluar su capacidad para utilizar el cortacésped de forma suficientemente segura como para protegerse a sí mismos y a los demás de lesiones graves.
- Siga las recomendaciones del fabricante para los pesos de las ruedas o los contrapesos.
- Mantenga la máquina sin césped, hojas o acumulación de otros restos que puedan tocar las partes calientes del escape o del motor e inflamarse. No permita que la plataforma de la cortadora de césped levante hojas u otra basura que pueda causar acumulaciones. Limpie cualquier derrame de aceite o combustible antes de operar o almacenar la máquina. Permita que la máquina se enfríe antes de almacenarla.

Instrucciones de seguridad para el funcionamiento

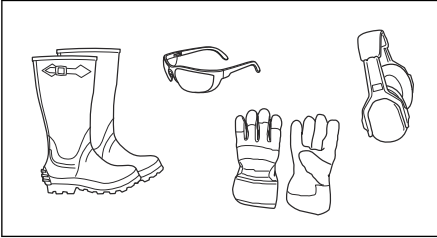
Equipo de protección personal



ADVERTENCIA: Lea atentamente las instrucciones de advertencia siguientes antes de usar el producto.

- Utilice siempre el equipo de protección personal aprobado cuando use el producto. El equipo de protección personal no puede impedir el riesgo de lesiones, pero disminuirá el grado de lesión si ocurre un accidente. Permita que su distribuidor lo ayude seleccionar el equipo adecuado.
- Utilice siempre el equipo de protección recomendado para disminuir los efectos de la vibración. No utilice el producto durante períodos prolongados. Detenga el producto en intervalos regulares para evitar molestias o lesiones.

- Use siempre protectores auriculares aprobados. La exposición prolongada al ruido puede causar la pérdida permanente de la audición.
- Utilice siempre gafas de seguridad o protección ocular mientras utiliza el producto o realice tareas de mantenimiento o reparaciones.
- Utilice siempre zapatos de protección antideslizantes o botas de protección. Se recomienda usar punteras de acero. No utilice el producto descalzo.



- Utilice guantes cuando sea necesario, por ejemplo, cuando conecte, examine o limpie el equipo de corte.
- No use ropa floja, joyas u otros artículos que puedan quedar atrapados en las piezas móviles.
- No utilice pantalones cortos cuando utilice el producto.
- Mantenga un equipo de primeros auxilios y un extintor de incendios a mano.

Dispositivos de seguridad en el producto



ADVERTENCIA: Lea atentamente las instrucciones de advertencia siguientes antes de usar el producto.

- No utilice un producto con dispositivos de seguridad dañados o que no funcionen correctamente. Revise los dispositivos de seguridad de forma regular. Si los dispositivos de seguridad están dañados, comuníquese con el distribuidor de servicio de Husqvarna.
- No realice ninguna modificación en los dispositivos de seguridad. No utilice el producto si las placas de protección, las cubiertas de protección, los interruptores de seguridad u otros dispositivos protectores no están acoplados o están dañados.

Para verificar el control de presencia del operador (OPC)



ADVERTENCIA: No opere el producto con un control de presencia del operador (OPC, del inglés Operator Presence Control) que no funcione correctamente. Si el OPC no funciona correctamente, repárelo de inmediato.

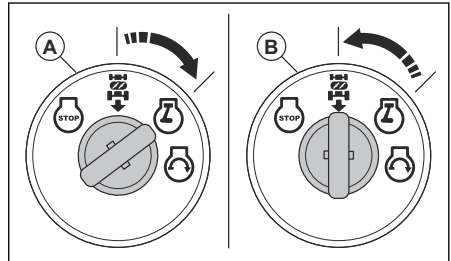
Comuníquese con un taller de servicio autorizado.

- Asegúrese de que el motor no pueda arrancar, a menos que el pedal de freno se presione completamente hacia abajo y el equipo de corte esté desacoplado.
- Asegúrese de que el motor se detenga cuando el operador se aleje del asiento y el freno de estacionamiento esté desacoplado.
- Asegúrese de que el motor se detenga cuando el operador se aleje del asiento y el equipo de corte esté accionado.
- Asegúrese de que el control del embrague del equipo de corte no pueda funcionar cuando el operador esté lejos del asiento.

Para verificar el sistema de funcionamiento en reversa (ROS)

Si el sistema ROS no funciona correctamente, repare el producto de inmediato. Comuníquese con un taller de servicio autorizado.

1. Encienda el producto. Consulte *Para poner en marcha el producto en la página 56*.
2. Acople el equipo de corte. Consulte *Para acoplar y desacoplar el equipo de corte en la página 60*.
3. Asegúrese de que el motor se detenga cuando intente retroceder con la llave de encendido en la posición on (A).



4. Ponga en marcha el producto y vuelva a acoplar el equipo de corte.
5. Coloque el interruptor de encendido en la posición de encendido de ROS (B).
6. Asegúrese de que el motor no se detenga cuando vaya en reversa con la llave de encendido en la posición de encendido de ROS.

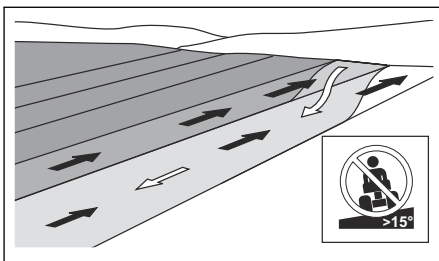
Para comprobar el freno



ADVERTENCIA: El mantenimiento de los frenos es necesario si el producto se utiliza más de 5 pies (1,5 m), y se detiene a la máxima velocidad en la marcha más alta sobre una superficie nivelada y seca.

1. Estacione el producto en una superficie nivelada, seca, de cemento o pavimento. Presione el pedal de freno completamente y acople el freno de estacionamiento.
2. Coloque el control de la rueda libre en la posición de "transmisión desacoplada" para desacoplar la transmisión.
3. Las ruedas traseras deben bloquearse y patinar cuando se intente empujar manualmente el producto hacia delante. Si las ruedas traseras giran, es necesario el mantenimiento del freno.
4. Consulte a un centro de servicio autorizado.

- No utilice el producto en suelos con pendientes de más de 15°.



Freno de estacionamiento



ADVERTENCIA: Si el freno de estacionamiento no funciona, el producto puede empezar a moverse y causar lesiones o daños. Asegúrese de revisar y ajustar el freno de estacionamiento con regularidad.

Consulte *Para comprobar el freno en la página 48*.

Silenciador

El silenciador mantiene los niveles de ruido al mínimo y envía los gases de escape lejos del operador.

No utilice el producto si el silenciador no está instalado o está dañado. Un silenciador dañado aumenta el nivel de ruido y el riesgo de incendio.



ADVERTENCIA: El silenciador se calienta mucho durante y después del uso y cuando el motor funciona en régimen de ralentí. Tenga cuidado cerca de materiales o vapores inflamables para prevenir incendios.

Para cortar césped en pendientes



ADVERTENCIA: Lea atentamente las instrucciones de advertencia siguientes antes de usar el producto.

- Cortar el césped en pendientes aumenta el riesgo de que no pueda controlar el producto y de que se vuelque. Esto puede provocar lesiones o la muerte. Es necesario tener cuidado al cortar el césped en cualquier pendiente. Si no puede retroceder para subir una pendiente o si no se siente seguro, no la corte.
- Quite las piedras, las ramas y otros obstáculos.
- Corte hacia arriba y hacia abajo por la pendiente, no de lado a lado.
- No descienda una pendiente con el equipo de corte levantado.

- No efectúe arranques ni paradas en una pendiente.
- Muévase suave y lentamente en pendientes.
- No haga cambios repentinos de velocidad o dirección.
- No gire más de lo necesario. Gire lenta y gradualmente cuando se mueva hacia abajo en una pendiente. Muévase a baja velocidad. Gire la rueda con cuidado.
- Ponga atención a la presencia de surcos, agujeros y baches, y no pase transversalmente por ellos. Existe un mayor riesgo de que el producto se vuelque en suelo que no es plano. El césped alto puede ocultar obstáculos.
- No corte el césped cerca de bordes, zanjas u orillas. Mantenga al menos el ancho del producto alejado de estos peligros. El producto puede volcarse repentinamente si una rueda se desplaza por el borde de una pendiente pronunciada o una zanja, o si un borde cede.
- No corte el césped húmedo. Es resbaladizo y los neumáticos pueden perder adherencia, de modo que el producto podría patinar.
- No ponga el pie en el suelo para tratar de darle más estabilidad al producto.
- Si un accesorio u otro objeto instalado pueden restarle estabilidad al producto, muévase con mucho cuidado.

Seguridad de combustible



ADVERTENCIA: Lea atentamente las instrucciones de advertencia siguientes antes de usar el producto.

- El combustible es inflamable y los vapores son explosivos. Tenga cuidado con el combustible para evitar lesiones, incendios y explosiones.
- No respire los vapores del combustible. Los vapores de combustible son venenosos y pueden causar lesiones. Asegúrese de que el flujo de aire sea suficiente.
- No retire la tapa del depósito de combustible ni llene el depósito con el motor encendido.
- Asegúrese de que el motor se enfríe antes de llenar el depósito de combustible.

- No llene el depósito de combustible en interiores. Un flujo de aire insuficiente puede provocar lesiones o la muerte por asfixia o intoxicación por monóxido de carbono.
- No fume cerca del combustible o del motor. Apague todos los cigarrillos, puros, pipas y otras fuentes de ignición.
- No coloque objetos calientes cerca del combustible o del motor.
- No llene el depósito de combustible cerca de chispas o llamas.
- Antes de llenar el depósito de combustible, abra lentamente la tapa del depósito de combustible y libere la presión con cuidado.
- Si el combustible entra en contacto con la piel, puede provocar lesiones. Si le cae combustible en la piel, quítelo con jabón y agua.
- Si derrama combustible en su ropa, cámbiese la ropa inmediatamente.
- No llene el depósito de combustible completamente. El calor provoca que el combustible se expanda. Deje espacio en la parte superior del depósito de combustible.
- Apriete la tapa del depósito de combustible completamente. Si no aprieta la tapa del depósito de combustible, se genera un riesgo de incendio.
- Antes de poner en marcha el producto, colóquelo a una distancia mínima de 3 m/10 pies desde el lugar donde llenó el depósito de combustible.
- No arranque el producto si hay combustible o aceite de motor en el producto. Retire el combustible y el aceite de motor sobrantes. Deje que el producto se seque y espere hasta que los vapores de combustible hayan desaparecido antes de arrancar el motor.
- Examine frecuentemente el motor en busca de fugas. Si hay fugas en el sistema de combustible, no arranque el motor hasta que las repare.
- No busque fugas en el motor con los dedos.
- Almacene el combustible solo en recipientes aprobados.
- Cuando el producto y el combustible estén almacenados, asegúrese de que el combustible y los gases del combustible no puedan causar daños.
- Vacíe el combustible en un recipiente aprobado en exteriores y lejos de chispas y llamas.

Seguridad de la batería



ADVERTENCIA: Una batería dañada puede provocar una explosión y causar lesiones. Si la batería tiene una deformación o está dañada, hable con un distribuidor de servicio Husqvarna autorizado.



ADVERTENCIA: Lea atentamente las instrucciones de advertencia siguientes antes de usar el producto.

- Utilice gafas protectoras cuando esté cerca de las baterías.
- No use relojes, joyas u otros objetos metálicos cerca de la batería.
- Almacene la batería fuera del alcance de los niños.
- Cargue la batería en un espacio con buena ventilación.
- Mantenga los materiales inflamables a una distancia mínima de 1 m cuando cargue la batería.
- Deseche las baterías que ha reemplazado. Consulte *Eliminación en la página 84*.
- La batería puede generar gases explosivos. No fume cerca de la batería. Mantenga la batería lejos de llamas abiertas y chispas.

Seguridad del transporte

- Utilice un vehículo de transporte aprobado para el transporte del producto.
- El producto es pesado y puede causar lesiones por aplastamiento. Tenga cuidado cuando lo cargue o descargue de un vehículo o remolque.
- Las normativas nacionales o locales de mercados pueden establecer un límite para el transporte del producto.
- El operador de vehículo de transporte es responsable de fijar el producto de forma segura durante el transporte. Consulte *Transporte en la página 83*.

Instrucciones de seguridad para el mantenimiento



ADVERTENCIA: El producto es pesado y puede causar lesiones o daños a la propiedad o el área adyacente. No realice mantenimiento del motor o del equipo de corte sin cumplir con las siguientes condiciones:

- El sistema está apagado.
- El producto está estacionado en una superficie nivelada.
- El freno de estacionamiento está aplicado.
- La llave de encendido se ha retirado.
- El equipo de corte está desacoplado.
- Quitó los cables de encendido de las bujías.



ADVERTENCIA: Los gases de escape del motor contienen monóxido de carbono, un gas inodoro, tóxico y

muy peligroso. No haga funcionar el producto en espacios cerrados o sin suficiente flujo de aire.



ADVERTENCIA: Lea atentamente las instrucciones de advertencia antes de realizar mantenimiento al producto.

- Para lograr mayores niveles de rendimiento y seguridad, realice el mantenimiento del producto con regularidad como se indica en el programa de mantenimiento. Consulte la sección *Programa de mantenimiento en la página 62*.
- Las sacudidas eléctricas pueden causar lesiones. No toque los cables cuando el motor esté encendido. No haga una prueba de funcionamiento del sistema de encendido con los dedos.
- No arranque el motor si las cubiertas protectoras están desmontadas. Existe un gran riesgo de que las piezas móviles o calientes causen lesiones.
- Deje que el producto se enfríe antes de realizar tareas de mantenimiento cerca del motor.

- Las cuchillas son filosas y pueden causar cortes. Envuelva las cuchillas con protección o utilice guantes protectores cuando trabaje en las cuchillas.
- Siempre ponga el equipo de corte en la posición de servicio para limpiarlo. No estacione el producto cerca del borde de una zanja o pendiente para acceder al equipo de corte.



AVISO: Lea atentamente las instrucciones siguientes antes de usar el producto.

- No gire el motor si el cable de encendido o la bujía están desconectados.
- Asegúrese de que todas las tuercas y pernos estén correctamente apretados y de que el equipo está en buen estado.
- No cambie el ajuste de los reguladores. Si el régimen del motor es demasiado alto, los componentes del producto pueden dañarse.
- El producto se ha aprobado solo con el equipo proporcionado originalmente o recomendado por el fabricante.

Montaje

Introducción



ADVERTENCIA: Asegúrese de leer y comprender el capítulo de seguridad antes de montar el producto.

Para extraer el producto de la caja de cartón

1. Retire las piezas sueltas que se incluyen con el producto.
2. Retire los paneles del extremo.
3. Retire los paneles laterales y colóquelos en una superficie plana.
4. Retire todos los materiales de embalaje.
5. Retire el producto de la caja y asegúrese de que no queden piezas sueltas en la caja.

Herramientas de montaje

Tenga en cuenta: El proceso de armado será más simple si cuenta con un conjunto de llaves de cubo.

- Llave de 1/2" (13 mm)
- Calibrador de la presión de los neumáticos
- Cuchilla de utilidad
- Alicata

Piezas sueltas que necesitan montaje

El producto no está completamente montado. Las siguientes piezas están sueltas en el momento de comprar el producto.



Llave, 2 piezas



Tornillo 1/4-20 para batería, 2 piezas



Tuerca de 1/4-20 para batería, 2 piezas



Adaptador de boquilla, 1 pieza



Tubo de vaciado de aceite, 1 pieza



Base del asiento, 1 pieza



Volante, 1 pieza



Respaldo, 1 pieza



Espaciador para el volante, 1 pieza



Apoyabrazos, 2 piezas



Adaptador para el volante, 1 pieza



Placa de conexión del respaldo, 2 piezas



Arandela para el volante, 1 pieza



Soporte del asiento delantero, 1 pieza



Contratuerca de brida de 3/8-16 para el volante, 1 pieza



Soporte del asiento trasero, 1 pieza



Cubierta para el volante, 1 pieza



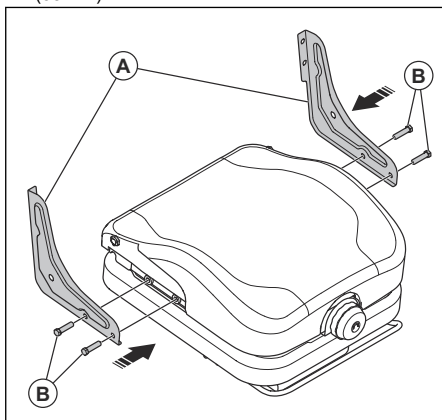
Tornillo M10, 4 piezas

Para armar y fijar el asiento

1. Fije las placas de conexión del respaldo (A) a la base del asiento con 4 tornillos M10 (B). El par de apriete de los tornillos M10 es de 28 ft-lb (38 Nm).



Tornillo M8, 4 piezas



Tuerca de 5/16-18 para el soporte del asiento delantero, el soporte del asiento trasero y el accesorio del asiento, 6 piezas



Perno de tope de 5/16-18 para el accesorio del asiento, 2 piezas

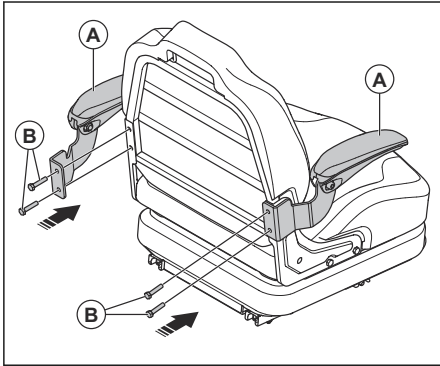


Tope del asiento, 2 piezas

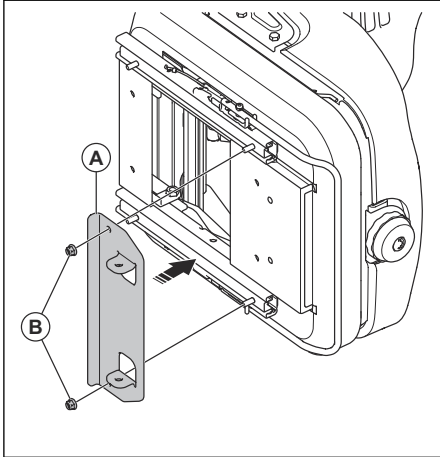


Perno de 3/8-16 x 5/8 para el tope del asiento, 2 piezas

2. Coloque el respaldo en posición y fije los apoyabrazos (A) con 4 tornillos M8 (B). El par de apriete de los tornillos M8 es de 18 ft-lb (25 Nm).

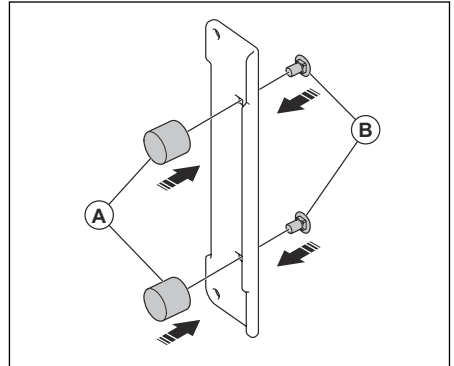


3. Conecte el soporte del asiento delantero (A) a la base del asiento con 2 tuercas (B). El par de apriete de las tuercas de la base del asiento es de 18 ft-lb (25 Nm).

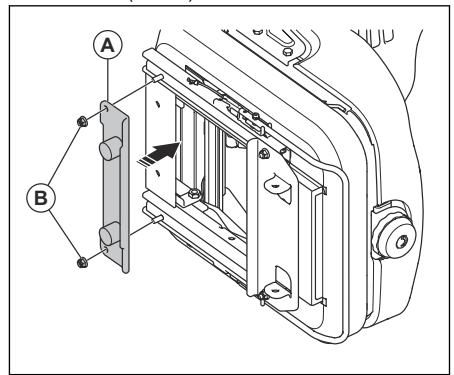


Tenga en cuenta: Asegúrese de que el soporte esté orientado correctamente y conectado como se muestra en la ilustración.

4. Instale los 2 topos (A) en el soporte del asiento trasero con 2 pernos de tope del asiento (B) y apriete los pernos con la mano.

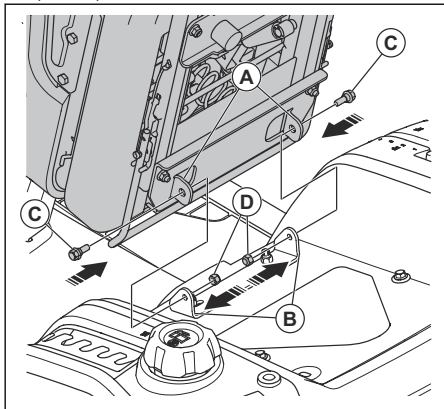


5. Conecte el soporte del asiento trasero (A) a la base del asiento con 2 tuercas (B). El par de apriete de las tuercas de la base del asiento es de 18 ft-lb (25 Nm).

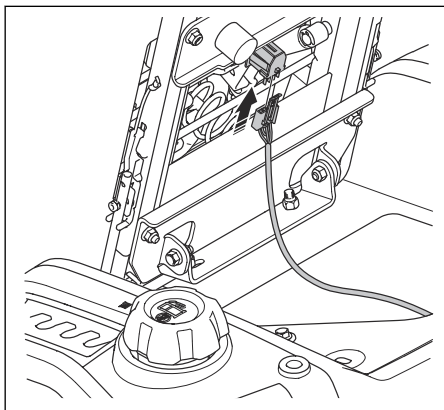


Tenga en cuenta: Asegúrese de que el soporte esté orientado correctamente y conectado como se muestra en la ilustración.

6. Alinee el soporte del asiento delantero (A) en la base del asiento con el soporte (B) en el chasis y fije el asiento con 2 pernos de fijación del asiento (C) y 2 tuercas (D). El par de apriete de las tuercas de fijación del asiento es de 18 ft-lb (25 Nm).



7. Conecte el cable al interruptor de seguridad del asiento.



Asegúrese de que todos los pernos estén apretados completamente.

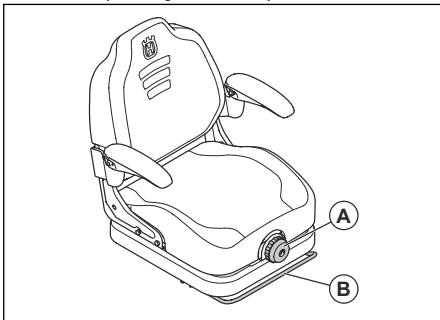
Para ajustar el asiento

La posición del asiento se puede mover hacia delante o hacia atrás y se puede ajustar la suspensión del asiento.



ADVERTENCIA: No realice ajustes en el asiento cuando el producto esté en funcionamiento.

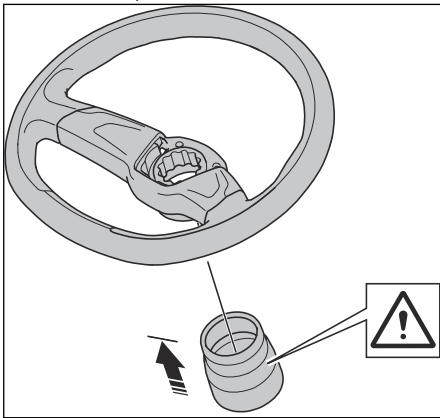
- Gire la perilla debajo del asiento (A) para ajustar su suspensión. Gire la perilla hacia la izquierda para lograr una suspensión suave y hacia la derecha para lograr una suspensión dura.



- Tire de la palanca que está debajo del asiento (B) hacia arriba y mueva el asiento hacia delante o hacia atrás. Suelte la palanca cuando el asiento esté en la posición correcta.

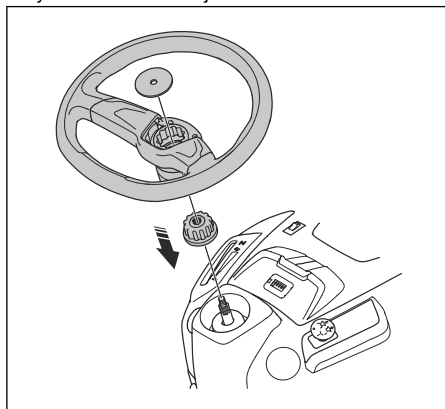
Para fijar el volante

1. Inserte el espaciador en el volante.

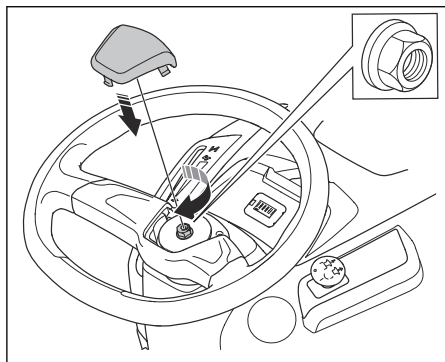


AVISO: Empuje el espaciador completamente hacia el volante. Asegúrese de que no haya holgura.

2. Instale el adaptador, el volante con el espaciador y la arandela en el eje de dirección.



3. Apriete la tuerca completamente y conecte la cubierta.



Para conectar la batería

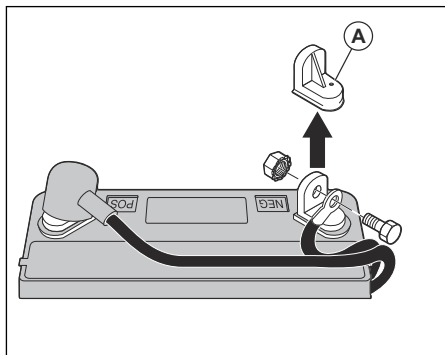


ADVERTENCIA: Riesgo de sacudida eléctrica y quemaduras. No utilice pulseras metálicas ni otros accesorios metálicos. Los elementos metálicos que entran en contacto con los terminales de la batería pueden causar quemaduras, sacudidas eléctricas y cortocircuito de la batería.

Tenga en cuenta: Si la fecha actual es posterior al año y al mes que se escribió en la etiqueta de la batería, cárguela. Cargue la batería durante un mínimo de una hora entre 6 y 10 amperios.

1. Busque la ubicación de la batería debajo del asiento o de la cubierta del motor.
2. Levante la base del asiento o la cubierta del motor hasta la posición elevada.

3. Retire los dos tapones del terminal (A) y deséchelos.



4. Conecte el cable rojo de la batería al terminal positivo (+) y apriete el perno y la tuerca como se indica. Mueva la tapa del terminal en el terminal.



ADVERTENCIA: Riesgo de chispas. El cable rojo de la batería se debe conectar al terminal positivo antes de conectar el cable negro de la batería al terminal negativo. Esto es para evitar chispas y conexiones accidentales a tierra.

5. Conecte el cable negro al terminal negativo (-) y apriete firmemente el perno y la tuerca.
6. Aplique vaselina en los cables de la batería para evitar la corrosión.
7. Baje la base del asiento o la cubierta del motor.

Para retirar el producto de la plancha

1. Levante el equipo de corte a su posición más alta. Utilice la palanca de elevación.
2. Presione el pedal del embrague/freno para liberar el freno de estacionamiento.
3. Ponga el control de la rueda libre en la posición Transmission disengaged (Transmisión desacoplada), consulte *Transporte, almacenamiento y eliminación de residuos en la página 83*.
4. Empuje el producto hacia delante de la plancha.
5. Quite la correa que sujeta la protección del deflector contra el producto.

Para comprobar el montaje

- Asegúrese de completar todas las instrucciones de montaje.
- Asegúrese de que no haya piezas restantes en el embalaje.
- Asegúrese de que la batería esté preparada y correctamente cargada.

- Asegúrese de que los pernos del asiento estén apretados y de que el asiento esté ajustado correctamente.
- Asegúrese de que los neumáticos estén correctamente inflados.
- Para obtener mejores resultados de corte, asegúrese de que el equipo de corte esté equilibrado de lado a lado y de la parte delantera a la parte trasera. Asegúrese de que los neumáticos estén correctamente inflados para que el equipo de corte esté equilibrado.
- Examine el equipo de corte y las correas de transmisión. Asegúrese de que las correas estén instaladas correctamente alrededor de las poleas y la parte interior de todos los sujetadores de la correa.
- Examine los cables eléctricos. Asegúrese de que todos los cables y conexiones sean seguros.
- Asegúrese de que el control de la rueda libre esté en la posición Transmission engaged (Transmisión acoplada). Consulte *Transporte en la página 83*.
- Asegúrese de que el aceite del motor esté en el nivel correcto.
- Asegúrese de que el depósito esté lleno con el tipo correcto de combustible.
- Asegúrese de conocer la ubicación y la función de todos los controles.
- Asegúrese de que el sistema de freno esté en condiciones seguras para funcionar.
- Asegúrese de que el control de presencia del operador (OPC) y el sistema de funcionamiento en reversa (ROS, del inglés "Reverse Operation System") funcionen correctamente. Consulte *Para verificar el control de presencia del operador (OPC) en la página 48 y Para verificar el sistema de funcionamiento en reversa (ROS) en la página 48*.
- Retire el aire de la transmisión antes del primer uso. Consulte *Para extraer el producto desde la transmisión en la página 76*.

Funcionamiento

Introducción



ADVERTENCIA: Asegúrese de leer y comprender el capítulo de seguridad antes de utilizar el producto.

Para agregar combustible



ADVERTENCIA: La gasolina es muy inflamable. Tenga cuidado y reabastezca combustible al aire libre. Consulte *Seguridad de combustible en la página 49*.



AVISO: Utilice siempre el tipo de combustible correcto. El tipo de combustible incorrecto puede causar daños en el producto.

- Utilice el tipo correcto de gasolina. Consulte *Datos técnicos en la página 84*. Para obtener más información sobre el combustible, consulte el manual del motor proporcionado por el fabricante.
- Realice una comprobación del nivel de combustible antes de cada uso y agregue combustible si es necesario.
- No llene completamente el depósito de combustible. Mantenga un espacio mínimo de 1 pulgada.

Para poner en marcha el producto

Antes de arrancar el producto



ADVERTENCIA: Antes de operar el producto, lea cuidadosamente y comprenda las instrucciones de seguridad y las instrucciones de funcionamiento.

1. Revise el nivel de aceite del motor. Consulte *Para revisar el nivel de aceite del motor en la página 73*.
2. Llene el depósito con combustible. Consulte *Para agregar combustible en la página 56*.
3. Desconecte el modo de rueda libre. Consulte *Para poner el producto en modo de rueda libre en la página 61*.
4. Siéntese en la posición de operación.
5. Acople el freno de estacionamiento. Consulte *Para acoplar y desacoplar el freno de estacionamiento en la página 59*.
6. Asegúrese de que el equipo de corte esté desacoplado. Consulte *Para acoplar y desacoplar el equipo de corte en la página 60*.

Para arrancar un motor caliente

1. Siéntese en el asiento.
2. Asegúrese de que el equipo de corte esté desacoplado. Consulte *Para acoplar y desacoplar el equipo de corte en la página 60*.

- Coloque el equipo de corte en la posición de transporte. Consulte *Para colocar el equipo de corte en la posición de transporte o posición de corte en la página 58*.
- Mueva el acelerador a la posición rápida.
- Extraiga el estrangulador.

Tenga en cuenta: Para arrancar el motor en caliente, es posible que no sea necesario utilizar el estrangulador.

- Pise el pedal de freno completamente y manténgalo presionado.
- Coloque la llave de encendido en la posición de encendido.
- Gire la llave de encendido a la posición "START" y suelte la llave de encendido cuando el motor arranque.



AVISO: No encienda el motor de arranque de forma continua durante más de 15 segundos por minuto.

- Cuando el motor haya arrancado, presione lentamente el estrangulador hasta que el motor funcione sin problemas. Cuando el motor funcione correctamente, el equipo conectado, la transmisión de avance y la transmisión de reversa se pueden operar.

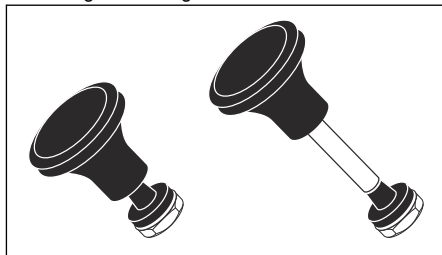
Tenga en cuenta: Si el motor funciona de forma irregular, retire el estrangulador durante unos segundos y, luego, siga presionando el estrangulador lentamente.

Tenga en cuenta: Si el motor no acepta la carga, reinicie el motor y deje que se caliente durante un minuto. Siga las instrucciones anteriores.

Para arrancar un motor frío

- Siéntese en el asiento.
- Asegúrese de que el equipo de corte esté desacoplado. Consulte *Para acoplar y desacoplar el equipo de corte en la página 60*.
- Coloque el equipo de corte en la posición de transporte. Consulte *Para colocar el equipo de corte en la posición de transporte o posición de corte en la página 58*.
- Mueva el acelerador hasta la posición de aceleración intermedia.

- Extraiga el estrangulador.



- Pise el pedal de freno completamente y manténgalo presionado.
- Coloque la llave de encendido en la posición de encendido.
- Gire la llave de encendido a la posición "START" y suelte la llave de encendido cuando el motor arranque.



AVISO: No encienda el motor de arranque de forma continua durante más de 15 segundos por minuto.

Tenga en cuenta: Si el motor no arranca después de algunos intentos, presione el estrangulador y espere unos minutos antes de volver a intentarlo.

- Cuando el motor arranque, mueva el acelerador a la posición rápida para calentar el motor. Si la temperatura es baja, se necesitan algunos minutos para que el motor se caliente.



AVISO: Si la temperatura ambiente es inferior a 4 °C (40 °F), debe dejar que el motor funcione durante un minuto a régimen de ralentí antes de operar el producto. Esto es para permitir que la transmisión se caliente. Asegúrese de que el pedal de freno está completamente liberado.

- Presione el estrangulador lentamente.

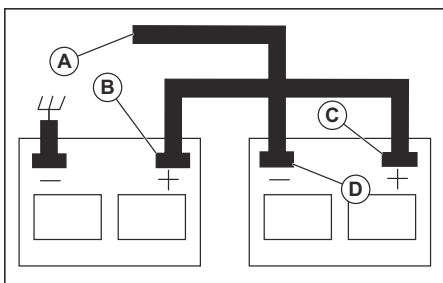
Para arrancar el motor cuando la batería tiene poca carga



ADVERTENCIA: Las baterías de plomo y ácido pueden producir gases explosivos. Mantenga las baterías alejadas de chispas, llamas y tabaquería. Use siempre protección ocular cuando esté cerca de las baterías.

Si la batería tiene muy poca carga como para arrancar el motor, se debe cargar.

Si utiliza los cables de puente para realizar un arranque de emergencia, siga estos procedimientos:



1. Conecte un extremo del cable ROJO a la terminal POSITIVA (+) de cada batería (B-C).



AVISO: Tenga cuidado de que no ocurra un cortocircuito contra el chasis del producto.

2. Conecte un extremo del cable NEGRO a la terminal (D) NEGATIVA (-) de la batería totalmente cargada.
3. Conecte el otro extremo del cable (A) NEGRO en una buena conexión a tierra del chasis, lejos del depósito de combustible y la batería.
4. Quite el cable NEGRO del chasis cuando la batería con poca carga esté completamente cargada.
5. Quite el cable NEGRO de la batería totalmente cargada.
6. Quite el cable ROJO de las dos baterías.

Para retirar los cables de puente

Tenga en cuenta: Quite los cables de puente en la secuencia opuesta a cómo los conectó.

1. Quite el cable NEGRO del chasis.
2. Quite el cable NEGRO de la batería totalmente cargada.
3. Quite el cable ROJO de las 2 baterías.

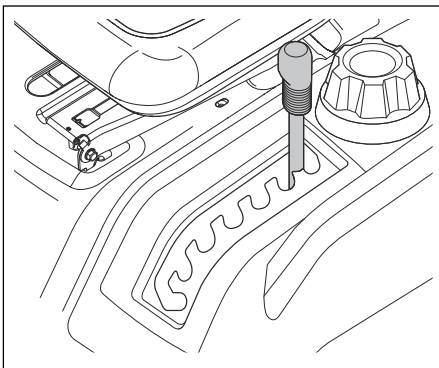
Para colocar el equipo de corte en la posición de transporte o posición de corte

El equipo de corte debe estar en la posición de transporte durante el transporte.

- Para ajustar el producto en la posición de transporte, tire de la palanca de altura de corte en la dirección del asiento y colóquela en la posición de altura de corte más alta.

- Para ajustar el producto en la posición de corte, ajuste la altura de corte apropiada. Consulte *Ajuste de la altura de corte en la página 58.*

Ajuste de la altura de corte

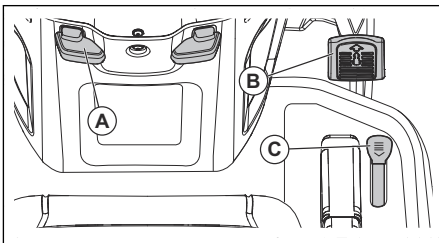


- Tire de la palanca de elevación en la dirección del asiento y colóquela en 1 de las muescas para establecer la altura de corte apropiada.

Para mover hacia delante y hacia atrás

Tenga en cuenta: Los pedales de avance y de reversa regresan a la posición neutra cuando no se presionan.

La dirección y la velocidad del movimiento se controlan por los pedales de avance y reversa.

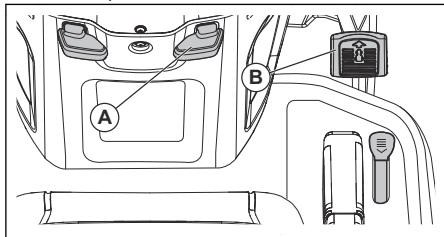


1. Arranque el motor y suelte lentamente la palanca de freno (A).
2. Para iniciar el movimiento, presione lentamente el pedal de avance (B) o el pedal de reversa (C).
3. Presione el pedal de avance (B) o el pedal de reversa (C) aún más para aumentar la velocidad.

Para utilizar el control de crucero

Utilice solamente el control de crucero para el desplazamiento hacia delante en superficies lisas y uniformes. El control de crucero se desacoplará automáticamente si las condiciones de control de crucero no son satisfactorias.

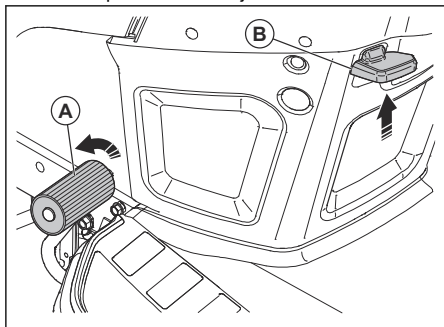
1. Presione el pedal de mando de avance (B). Mantenga el pedal de mando de avance en una posición que facilite alcanzar la velocidad correcta para el terreno.



2. Tire de la palanca de control de cruceo (A) hacia arriba y sujétela mientras suelta el pedal de mando de avance.
3. Suelte la palanca para acoplar el control de cruceo.
4. Presione el pedal de freno o toque el pedal de mando de avance para desacoplar el control de cruceo.

Para acoplar y desacoplar el freno de estacionamiento

1. Para accionar el freno de estacionamiento, presione el pedal de freno (A) completamente hasta la posición más baja.



2. Con el pedal de freno presionado, tire hacia arriba de la palanca del freno de estacionamiento (B).
3. Suelte el pedal de freno.
4. Suelte la palanca del freno de estacionamiento.

Tenga en cuenta: Asegúrese de que el freno de estacionamiento detenga la máquina de forma segura.

5. Para soltar el freno de estacionamiento, pise el pedal de freno.

Para detener el producto



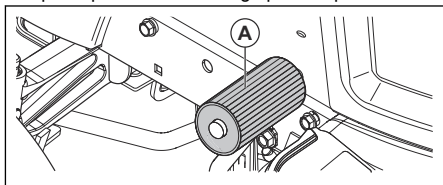
ADVERTENCIA: Siempre detenga la máquina, accione el freno

de estacionamiento y retire la llave de encendido antes de alejarse del producto.

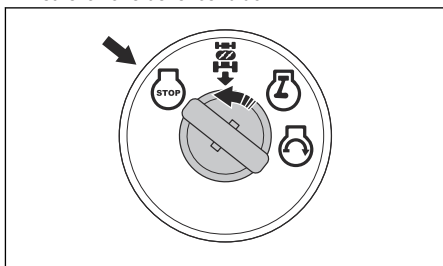


AVISO: El gas de escape del motor caliente puede causar daños por quemadura en el césped. Para evitar daños por quemaduras en el césped, siempre detenga el motor cuando detenga el producto en zonas de césped.

1. Pise completamente el pedal de freno (A) hasta que el producto se detenga por completo.



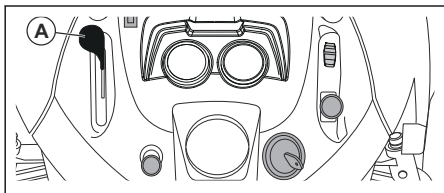
2. Desacople el equipo de corte. Consulte *Para acoplar y desacoplar el equipo de corte en la página 60*.
3. Coloque el acelerador en la posición lenta y deje que el motor funcione a régimen de ralentí durante algunos minutos.
4. Coloque el equipo de corte en la posición de transporte. Consulte *Para colocar el equipo de corte en la posición de transporte o posición de corte en la página 58*.
5. Gire la llave de encendido a la posición "STOP" y retire la llave del encendido.



Para utilizar el control del acelerador

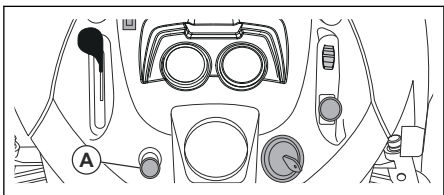
La eficiencia operativa del motor disminuye cuando el motor funciona a una velocidad menor que la máxima. La velocidad máxima proporciona el mejor rendimiento del cortacésped.

- Ajuste el control del acelerador (A) a la posición "FULL" (MÁXIMO) para operar el motor a máxima velocidad.



Para utilizar el estrangulador

Tenga en cuenta: Use el estrangulador para arrancar el motor frío. No utilice el estrangulador para arrancar un motor frío.



1. Retire la perilla (A) para acoplar el estrangulador.
2. Pulse la perilla (A) lentamente para desacoplar el estrangulador.

Para utilizar el control de bloqueo de diferencial

Tenga en cuenta: El producto o el sistema no están dañados si el bloqueo de diferencial está acoplado durante un largo período de tiempo.



AVISO: No accione el bloqueo de diferencial mientras el producto se mueve.

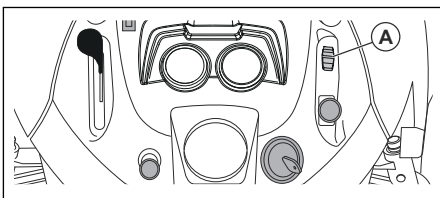
Tenga en cuenta: Si el bloqueo de diferencial (A) está acoplado cuando gira, la hierba se puede mover o cubrir con césped.

1. Detenga el producto y pulse el interruptor de bloqueo del diferencial a la posición de "ON" (ENCENDIDO).
2. Mueva el producto hacia delante. A medida que los neumáticos traseros giran, el bloqueo del diferencial se acopla.

Para desacoplar el bloqueo del diferencial:

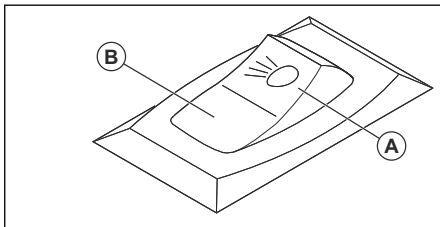
- Presione el interruptor de bloqueo del diferencial a la posición de "OFF" APAGADO.

Tenga en cuenta: Si el bloqueo del diferencial no se desacopla, dirija el producto de lado a lado.



Para usar el faro delantero

- Presione el interruptor de encendido/apagado a la posición (A) para que el faro delantero se encienda.



- Presione el interruptor de encendido/apagado a la posición (B) para apagar el faro.

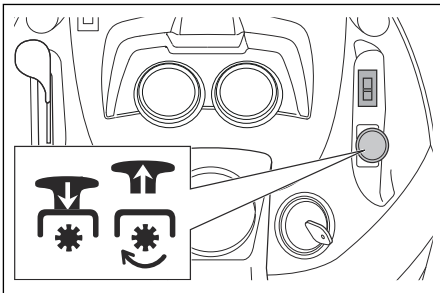
Para acoplar y desacoplar el equipo de corte



ADVERTENCIA: No opere el equipo de corte sin un deflector instalado en la descarga de hierba.

El producto tiene un control de presencia del operador (OPC). Cuando se aleje del asiento con el motor en marcha y el equipo de corte acoplado, el motor se detiene.

Manténgase por completo y en el centro del asiento para asegurarse de que el motor funcione correctamente y de que no se detiene en terrenos irregulares o en pendientes.



- Tire del botón de PTO hacia arriba para conectar el equipo de corte.
- Presione el botón de PTO para desacoplar el equipo de corte.

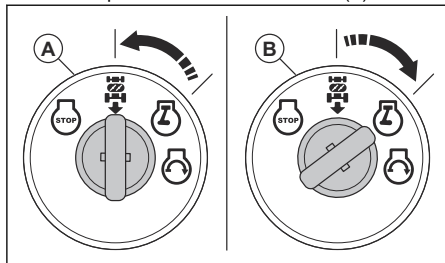
Para utilizar el sistema de funcionamiento en reversa (ROS)

Tenga en cuenta: Si intenta retroceder con el producto cuando el equipo de corte está acoplado, el motor se detiene inmediatamente. Haga que el ROS se desplace hacia atrás con el producto cuando el equipo de corte esté acoplado.



ADVERTENCIA: Antes y mientras conduce el producto hacia atrás, mire hacia abajo y detrás del producto para garantizar la seguridad de los demás.

1. Para acoplar el ROS, gire la llave de encendido en el sentido contrario a las agujas del reloj hasta la posición de ROS encendido (A).

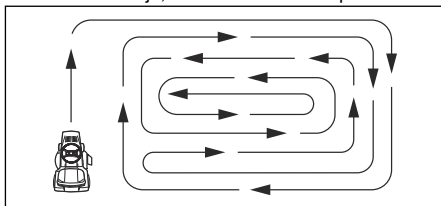


2. Presione lentamente el pedal de mando de reversa para iniciar el movimiento.
3. Para desacoplar el ROS, gire la llave de encendido en el sentido de las agujas del reloj hasta la posición "ON" del motor (B).

Para conseguir un buen resultado de corte

- Para un mejor funcionamiento, realice el mantenimiento del producto con regularidad como se indica en el programa de mantenimiento. Consulte *Programa de mantenimiento en la página 62*.
- No corte el césped húmedo. El césped húmedo puede causar un mal resultado de corte.
- No utilice cadenas de neumáticos cuando utilice el producto con un equipo de corte.
- Asegúrese de que el equipo de corte esté nivelado. Consulte *Para ajustar el paralelismo del equipo de corte en la página 70*.
- Si el césped está largo, comience con una altura de corte alta y disminúyala gradualmente.

- Avance con el producto a baja velocidad si el césped es alto y grueso.
- Utilice la aceleración máxima cuando corte el césped.
- Corte el césped en un patrón irregular.
- Utilice el lado izquierdo del equipo de corte cuando corte cerca de árboles, arbustos o caminos. La hoja corta a aproximadamente 15 mm del lado del equipo de corte.
- Cuando corte áreas grandes, mueva el producto hacia la derecha durante 1 o 2 vueltas alrededor del área de trabajo. Este procedimiento mantendrá la descarga del césped lejos de arbustos, cercas y entradas de garajes. Después de aproximadamente 2 vueltas alrededor del área de trabajo, corte en el sentido opuesto.



- Para obtener los mejores resultados de corte, corte el césped con frecuencia.

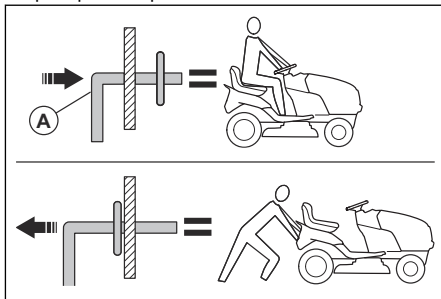
Para poner el producto en modo de rueda libre

Si es necesario mover o remolcar el producto sin ayuda del motor, debe poner el producto en el modo de rueda libre.



ADVERTENCIA: No coloque el producto en modo de rueda libre en una pendiente.

- Presione la palanca de control de rueda libre (A) para poner el producto en modo de conducción



- Presione la palanca de control de rueda libre (A) para poner el producto en modo de rueda libre.

Mantenimiento

Introducción

antes de realizar mantenimiento en el producto.



ADVERTENCIA: Lea detenidamente el capítulo de seguridad

Programa de mantenimiento

Programa de mantenimiento		Antes de cada uso	En intervalos de 8 horas	En intervalos de 25 horas	En intervalos de 50 horas	En intervalos de 100 horas	Cada temporada	Antes del almacenamiento
Producto	Compruebe la función del freno.	X	X					
	Compruebe la presión de los neumáticos.	X	X					
	Para verificar el control de presencia del operador (OPC).	X						
	Para verificar el sistema de funcionamiento en reversa (ROS).	X						
	Compruebe si hay sujetadores sueltos.	X				X		X
	Examine las hojas para detectar si hay desgaste o daños.			X ²				
	Lubrique el producto. Consulte <i>Programa de lubricación en la página 63</i> .			X				X
	Compruebe el nivel de la batería.			X				
	Limpie la batería y los terminales.			X				X
	Limpie las piezas de la placa de dirección. Consulte <i>Para limpiar el producto en la página 64</i> .			X				
	Revise el ventilador de refrigeración del transeje.			X				
Asegúrese de que el equipo de corte esté nivelado.					X			
Revise las correas en V.						X		

² Examine las hojas con mayor frecuencia si corta en áreas donde hay arena y tierra.

Programa de mantenimiento		Antes de cada uso	En intervalos de 8 horas	En intervalos de 25 horas	En intervalos de 50 horas	En intervalos de 100 horas	Cada temporada	Antes del almacenamiento
Motor	Revise el nivel de aceite del motor.	X	X					
	Cambie el aceite del motor (modelos con filtro de aceite).				X ¹			X
	Cambie el aceite del motor (modelos sin filtro de aceite).			X ¹				X
	Limpie el filtro de aire.			X ³				
	Limpie la pantalla de aire.			X ³				
	Realice una inspección del silenciador y el apagachispas.				X			
	Reemplace el filtro de aceite (si está equipado).					X ¹	X	
	Limpie las aletas de refrigeración del motor.					X ³		
	Reemplace la bujía.					X	X	
	Reemplace el cartucho de papel del filtro de aire.					X ³		
	Reemplazar el filtro de combustible						X	
	Revise el silenciador. Consulte <i>Para revisar el silenciador en la página 76.</i>				X			

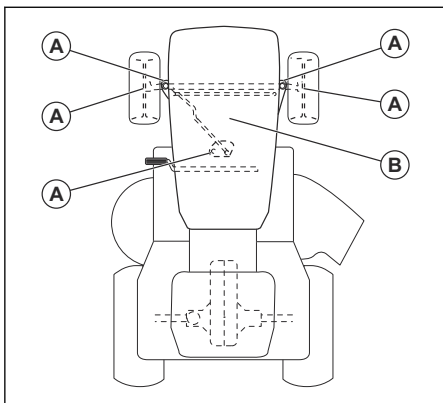
Programa de lubricación



AVISO: No lubrique los puntos de los pivotes que tienen cojinetes de nailon especiales. Los lubricantes pegajosos pueden hacer que se adhiera suciedad. La suciedad reduce la vida útil de los cojinetes de nailon especiales. Si

es necesario lubricar los cojinetes de nailon, utilice solo una pequeña cantidad de lubricante seco.

- 1 Hágalo con mayor frecuencia cuando opere con una carga pesada, en temperatura ambiente elevada o en condiciones de suciedad.
- 1 Hágalo con mayor frecuencia cuando opere con una carga pesada, en temperatura ambiente elevada o en condiciones de suciedad.
- 3 Hágalo con mayor frecuencia si opera en condiciones de suciedad.
- 3 Hágalo con mayor frecuencia si opera en condiciones de suciedad.
- 1 Hágalo con mayor frecuencia cuando opere con una carga pesada, en temperatura ambiente elevada o en condiciones de suciedad.
- 3 Hágalo con mayor frecuencia si opera en condiciones de suciedad.
- 3 Hágalo con mayor frecuencia si opera en condiciones de suciedad.



A. Lubricación general. Lubrique la conexión de engrase del eje, el cojinete de la rueda delantera y los dientes del engranaje de la parte de la dirección.

B. Lubricación del motor. Consulte *Para lubricar el motor en la página 73*.

Tractor

Para limpiar el producto

No utilice una manguera de jardín ni una arandela de presión para limpiar la superficie, excepto el puerto de lavado. Mantenga el agua fuera del motor y de la transmisión. El agua en el motor o en la transmisión puede reducir la vida útil del producto. Utilice aire comprimido o una sopladora de hojas para quitar la hierba, las hojas y la basura.

- Limpie todo el material no deseado del motor, la batería, el asiento y otras partes del producto.
- Limpie la contaminación de la placa de dirección. La contaminación limita el movimiento del eje del pedal de freno/embrague, provoca que la correa se suelte y disminuye el movimiento hacia delante.



AVISO: Evite todos los puntos de enganche y las partes móviles.

- Mantenga las superficies y las ruedas libres de gasolina, aceite y otros.
- Utilice cera automotriz para prevenir el daño a las superficies.

Para utilizar el puerto de lavado del equipo



ADVERTENCIA: Instale los pernos y las contratuercas en todos los agujeros del equipo de corte.



ADVERTENCIA: Reemplace el montaje de lavado roto o faltante inmediatamente antes de utilizar el equipo de corte.



ADVERTENCIA: Un puerto de lavado roto o faltante puede causarles lesiones a usted o a otras personas debido a objetos que pueden salir eyectados.

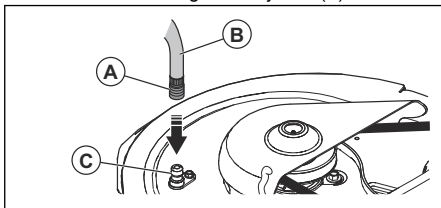
El producto cuenta con puerto de lavado como parte del sistema de lavado del equipo. Úselo después de cada operación.

1. Lleve el producto a un área nivelada y despejada cerca de una manguera de jardín conectada a una salida de agua.



AVISO: Asegúrese de que el conducto expulsión se encuentre lejos de edificios, vehículos estacionados y otros elementos de valor. Retire el conducto colector o la cubierta para el triturado si es necesario.

2. Asegúrese de que el control del embrague de acoplamiento se encuentre en la posición "DISENGAGED" (Desacoplada).
3. Detenga el motor y acople el freno de estacionamiento.
4. Coloque el adaptador de boquilla (A) en el extremo de la manguera de jardín (B).



5. Conecte el adaptador de boquilla en el puerto de lavado (C) en el lado izquierdo del equipo de corte.



AVISO: Tire de la manguera de jardín para asegurarse de que el adaptador de boquilla esté completamente conectado al puerto de lavado del equipo.

6. Inicie el suministro de agua.
7. Arranque el motor y coloque el acelerador en la posición "Rápido".



AVISO: Asegúrese de que el área esté despejada y que no haya niños en la zona cuando limpie el equipo de corte.

8. Siéntese en el asiento y conecte el equipo de corte. Deje que el equipo de corte funcione hasta que esté limpio.

9. Desconecte el equipo de corte y detenga el motor.
10. Detenga el suministro de agua.
11. Desconecte la manguera de jardín y el adaptador de boquilla del puerto de lavado del equipo.
12. Mueva el producto a una zona seca.
13. Acople el equipo de corte y deje que funcione hasta que esté seco.

Para ajustar el cable del acelerador

El acelerador se configura en la fábrica y no debería ser necesario el ajuste. Si es necesario realizar un ajuste, consulte el manual del motor.

Para ajustar el estrangulador

El estrangulador se configura en la fábrica y no debería ser necesario el ajuste. Si es necesario realizar un ajuste, consulte el manual del motor.

Para revisar los enclavamientos y los relés

Tenga en cuenta: Los cables sueltos o dañados pueden hacer que su producto funcione de forma insatisfactoria, que deje de funcionar o evitar que arranque.

- Examine los cables.

Para reemplazar la luz LED del faro

1. Abra la cubierta del motor.
2. Desconecte el arnés de cables de la luz LED.
3. Quite los tornillos, la luz LED, el reflector y la lente.
4. Instale una nueva luz LED.
5. Instale el reflector y la lente con los tornillos.
6. Conecte el arnés de cables a la luz LED.
7. Cierre la cubierta del motor.

Para comprobar los neumáticos

Tenga en cuenta: Para sellar los orificios de los neumáticos e impedir los neumáticos desinflados debido a fugas lentas, obtenga sellador de su concesionario de piezas locales. El sellador de neumáticos también previene la podredumbre en seco y la corrosión.

- Asegúrese de que la presión del aire de todos los neumáticos sea correcta (consulte los lados de los neumáticos para ver el PSI correcto).
- Mantenga los neumáticos libres de gasolina, aceite o productos químicos para el control de insectos que pueden causar daños al caucho.
- Mantenga los neumáticos lejos de palos, piedras, surcos, objetos afilados y otros objetos peligrosos que pueden causar daño a los neumáticos.

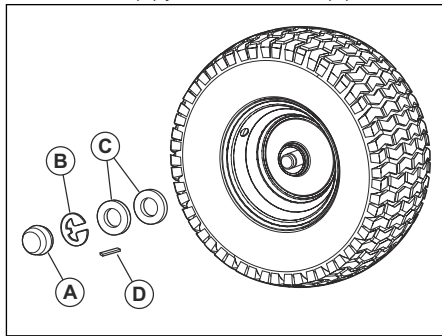
Para reparar los neumáticos

1. Levante el eje delantero y apóyelo de forma segura.



AVISO: Eleve y apoye un eje a la vez.

2. Retire la tapa de polvo (A), el sujetador en E (B), la arandela (C) y la llave cuadrada (D).



Tenga en cuenta: Solo hay llaves cuadradas en las ruedas traseras.

3. Quite la rueda del eje.
4. Retire el neumático de la rueda.
5. Repare el neumático.

Tenga en cuenta: Utilice sellador de neumáticos para sellar los orificios en el neumático. El sellador de neumáticos también previene la podredumbre en seco y la corrosión.

6. Instale el neumático en la rueda.
7. Instale la rueda, la arandela, la llave cuadrada y el sujetador en E en el eje. Asegúrese de que el sujetador en E esté instalado correctamente en la ranura del eje.
8. Instale la tapa de polvo.

Para examinar las correas en V

Las correas no son ajustables.

- Examine las correas en V en busca de deterioro o desgaste después de cada intervalo de 100 horas de funcionamiento.
- Sustituya las correas en V si comienzan a moverse porque están demasiado desgastadas.

Para realizar mantenimiento en el ventilador de refrigeración del transeje.



AVISO: No limpie el ventilador o la transmisión mientras el motor esté en marcha o mientras la transmisión esté caliente.



AVISO: No utilice lavadores a alta presión ni limpieza a vapor. Podría entrar agua a los cojinetes y las conexiones eléctricas y causar corrosión, lo que puede dañar el producto.

Para mantener la transmisión fría, mantenga limpios el ventilador de la transmisión y las aletas de refrigeración.

- Antes de limpiar con agua, limpie con un cepillo. Quite los cortes de pasto y la suciedad que se encuentren en el ventilador del transeje y las aletas de enfriamiento y alrededor de estos.
- Examine el ventilador de refrigeración para asegurarse de que las cuchillas del ventilador estén limpias y no estén dañadas.

Para examinar el líquido de la bomba del transeje

- Asegúrese de que no haya fugas de líquido de la bomba del transeje.
- Consulte al centro o departamento de servicio autorizado más cercano si existen fugas de líquido de la bomba del transeje.

Para ajustar la convergencia y la inclinación de la rueda delantera

La convergencia y la inclinación de la rueda delantera se ajustan correctamente en la fábrica. La convergencia y la inclinación de la rueda delantera no son ajustables.

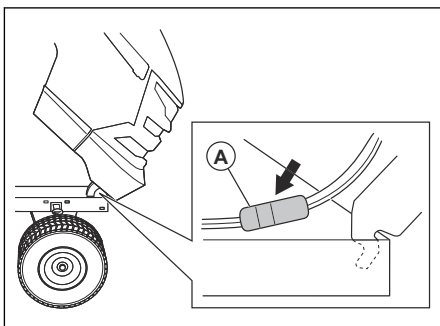
- Consulte a un centro de servicio autorizado si la convergencia o inclinación ajustada de fábrica está dañada.

Para reemplazar el fusible

Esta máquina tiene dos fusibles automotrices. El sujetador del fusible está ubicado detrás del panel.

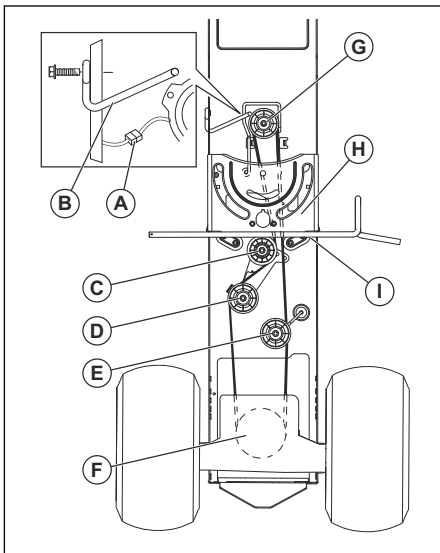
1. Sostenga el portafusibles y tire del fusible quemado.
2. Coloque un fusible nuevo en el portafusibles.

Para quitar e instalar la cubierta del motor y el conjunto de parrilla



1. Levante la cubierta del motor.
2. Desconecte el conector de cables de los faros (A).
3. Manténgase en frente del tractor. Sostenga la cubierta del motor desde los lados. Incline la cubierta del motor en la dirección del motor y levántela para extraerla del producto.
4. Vuelva a instalar todo en el orden inverso.

Para sustituir la correa de transmisión de movimiento



Estacione el producto sobre una superficie nivelada. Acople el freno de estacionamiento. Consulte la etiqueta de instalación de la correa en la parte inferior del reposapiés izquierdo.

1. Retire la correa.
 - a) Retire el cortacésped. Consulte *Para quitar e instalar el equipo de corte en la página 69.*

Tenga en cuenta: Tenga cuidado con la correa de transmisión de movimiento y la posición de las guías de la correa y los sujetadores.

- b) Desconecte el arnés de cableado del embrague (A).
 - c) Retire el eslabón anti rotación (B) en el lado derecho del producto.
 - d) Retire la correa del rodillo inmóvil (C) y el rodillo de embrague (D).
 - e) Retire la correa del rodillo del tramo central (E).
 - f) Tire la correa hacia la parte trasera del producto. Retire cuidadosamente la correa de la polea de transmisión de entrada y por encima de las cuchillas del ventilador de refrigeración (F).
 - g) Retire la correa de la polea del motor y alrededor del embrague eléctrico (G).
 - h) Mueva la correa a la parte trasera del producto y fuera de la placa de dirección (H). Retire del producto.
2. Instale la nueva correa desde la parte trasera del producto a la parte delantera, y por encima de la placa de dirección (H) y del eje del pedal del freno de embrague (I).
- a) Tire la correa a la parte delantera del producto e instale la correa alrededor del embrague eléctrico y sobre la polea del motor (G).
 - b) Tire la correa hacia la parte trasera del producto.
 - c) Instale cuidadosamente la correa por debajo, alrededor del ventilador de refrigeración de transmisión y sobre la polea de entrada. Asegúrese de que la correa esté dentro del retenedor de la correa.
 - d) Instale la correa en el rodillo del tramo central (E).
 - e) Instale la correa a través del rodillo inmóvil (C) y el rodillo de embrague (D).
 - f) Instale el enlace anti rotación (B) en el lado derecho del producto y apriete completamente.
 - g) Conecte el arnés del embrague (A).
 - h) Asegúrese de que la correa se encuentre en todas las ranuras de la polea y en todas las guías y sujeciones de la correa.
 - i) Instale el cortacésped. Consulte *Para quitar e instalar el equipo de corte en la página 69*

Batería

Para limpiar la batería y los terminales

La corrosión y la suciedad de la batería y los terminales pueden hacer que la batería pierda energía.

1. Extraiga la protección del terminal.

2. Desconecte el cable NEGRO de la batería.
3. Desconecte el cable ROJO de la batería y retire la batería del producto.
4. Rocíe la batería con agua y déjela secar.
5. Limpie los bornes y los extremos del cable de la batería con un cepillo de alambre.
6. Lubrique los terminales con grasa o un producto equivalente.
7. Instale la batería. Consulte *Para conectar la batería en la página 55*.

Para reemplazar la batería



ADVERTENCIA: No corte las terminales de la batería. No permita que las herramientas u otros objetos entren en contacto con ambas terminales al mismo tiempo.



ADVERTENCIA: Antes de conectar la batería, quítese las pulseras de metal, los relojes, anillos, y otros.

1. Levante la cubierta a una posición elevada.
2. Retire la tapa del terminal (C).
3. Desconecte el cable de tierra (A) negro (negativo) quitando el perno y la tuerca.



ADVERTENCIA: El terminal del cable negro (negativo) se debe desconectar primero.

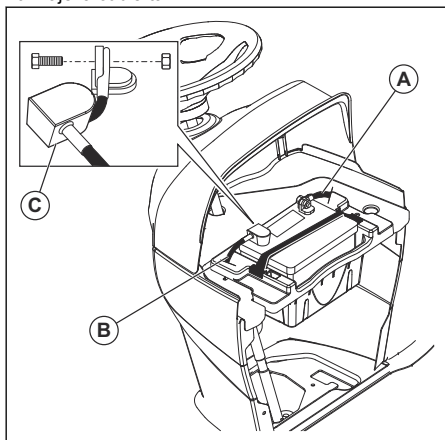
4. Desconecte el cable de batería (B) rojo (positivo).
5. Retire con cuidado la batería del producto.
6. Instale una batería nueva en la misma posición que en la batería antigua.
7. Instale la cubierta del terminal (C).
8. Conecte el cable de batería (B) rojo (positivo) y apriete el perno y la tuerca.



ADVERTENCIA: El terminal del cable rojo (positivo) se debe conectar primero para evitar chispas de una conexión a tierra accidental.

9. Conecte el cable (A) negro (negativo) y apriete el perno y tuerca.

10. Baje la cubierta.



Para conectar los cables de puente

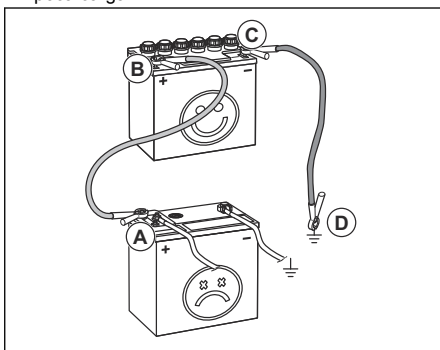


ADVERTENCIA: Existe riesgo de explosión debido a los gases explosivos procedentes de la batería. No conecte el terminal negativo de la batería cargada al terminal negativo de la batería con poca carga ni cerca de este.



AVISO: No utilice la batería de su producto para arrancar otros vehículos.

1. Conecte un extremo del cable rojo de la batería al terminal POSITIVO (+) (A) de la batería con poca carga.



2. Conecte el otro extremo del cable rojo de la batería al terminal POSITIVO (+) (B) de la batería cargada.



ADVERTENCIA: No deje que los extremos del cable rojo de la batería hagan contacto con el chasis, ya que esto provocaría un cortocircuito.

3. Conecte un extremo del cable negro de la batería al terminal NEGATIVO (-) (C) de la batería cargada.

4. Conecte el otro extremo del cable negro de la batería a una CONEXIÓN A TIERRA DEL CHASIS (D), lejos del depósito de combustible y de la batería.

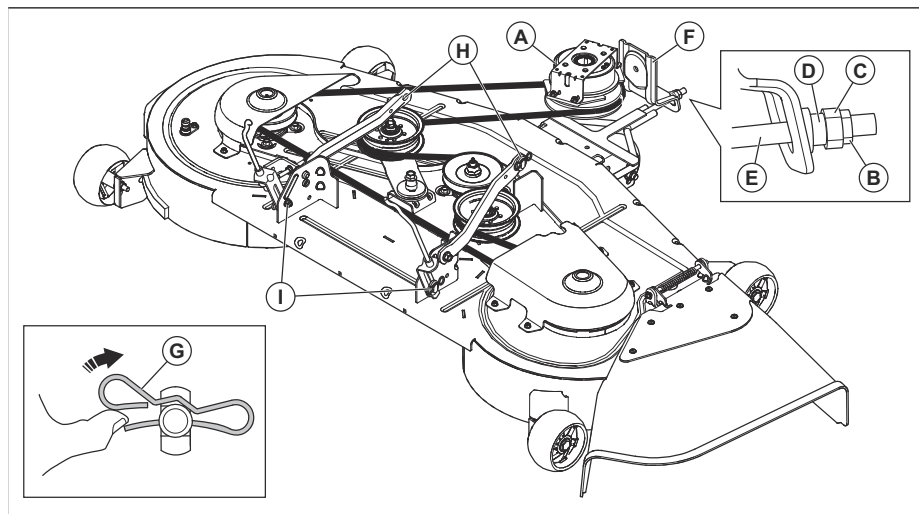
Para retirar los cables de puente

Tenga en cuenta: Quite los cables de puente en la secuencia opuesta a cómo los conectó.

1. Quite el cable NEGRO del chasis.
2. Quite el cable NEGRO de la batería totalmente cargada.
3. Quite el cable ROJO de las 2 baterías.

Equipo de corte

Para quitar e instalar el equipo de corte



1. Estacione el producto en una superficie nivelada y accione el freno de estacionamiento.
2. Desconecte el equipo de corte y detenga el motor.
3. Coloque la palanca de elevación del accesorio en la posición más baja.
4. Retire la correa de transmisión del equipo de corte de la polea del embrague eléctrico (A).
5. Retire la contratuerca (B), la tuerca (C), el buje (D) y desconecte el eslabón delantero (E) del soporte (F) en el chasis.
6. Retire los sujetadores (G) y las arandelas y desconecte los 2 brazos de suspensión (H) del chasis.
7. Retire los sujetadores y las arandelas y desconecte los eslabones de elevación traseros (I) del equipo de corte.



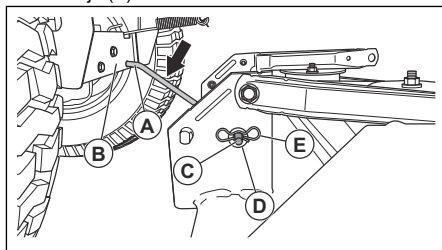
ADVERTENCIA: Cuando los eslabones de elevación traseros están desconectados del equipo de corte, la palanca de elevación del accesorio se acciona por resorte. Sujete firmemente la palanca de elevación del accesorio si cambia su posición.

8. Retire el equipo de corte del producto.
9. Instale el equipo de corte en el orden inverso. Asegúrese de que el lado de descarga esté en el lado derecho del producto. Asegúrese de que la correa de transmisión del equipo de corte esté instalada correctamente. Consulte *Para retirar la correa de transmisión del equipo de corte en la página 72*.

Tenga en cuenta: Los brazos de suspensión deben estar en la posición de avance cuando mueve el equipo de corte debajo del producto.

Para instalar la espada antioscilación

1. Desde el lado derecho del equipo de corte, coloque el extremo de 90° de la espada antioscilación (A) en el orificio del soporte del transeje (B).



2. Coloque el extremo integrado de la arandela (C) de la espada antioscilación en el orificio del soporte trasero, que se encuentra en el lado derecho del equipo de corte. Mueva el equipo de corte si es necesario.
3. Instale la arandela (D) y el sujetador (E).

Para ajustar el paralelismo del equipo de corte

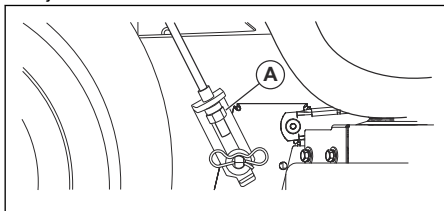
Para realizar un ajuste visual de lado a lado del equipo de corte

Si la altura de corte no es la misma en los lados derecho e izquierdo de la máquina, se puede ajustar la altura de corte. Ajuste la altura de corte en el lado del equipo de corte que tenga la menor altura de corte.

1. Asegúrese de que los neumáticos estén totalmente inflados.
2. Estacione el producto sobre una superficie nivelada.
3. Diríjase al costado del equipo de corte que tenga la altura de corte más baja.

Tenga en cuenta: Algunos modelos solo tienen ajuste del lado izquierdo.

4. Ajuste la altura de corte con una llave de 3/4".



Tenga en cuenta: Cada vuelta completa de la tuerca de ajuste cambia la altura del equipo de corte a aproximadamente 4,7 mm (3/16").

- a) Gire la tuerca de ajuste de elevación (A) hacia la izquierda para bajar el equipo de corte.
 - b) Gire la tuerca de ajuste de elevación (A) hacia la derecha para subir el equipo de corte.
5. Corte un poco de pasto y examine los resultados. Ajuste si es necesario.

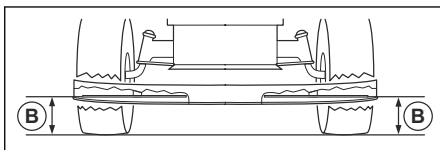
Para realizar un ajuste preciso de lado a lado del equipo de corte

1. Asegúrese de que los neumáticos estén totalmente inflados.
2. Estacione el producto sobre una superficie nivelada.
3. Coloque el equipo de corte en la posición de transporte. Consulte *Para colocar el equipo de corte en la posición de transporte o posición de corte en la página 58*.
4. Gire las puntas externas de la cuchilla para alinearlas con el equipo de corte de lado a lado.



ADVERTENCIA: Las cuchillas del equipo de corte están afiladas y pueden causar lesiones. Use guantes protectores.

5. Mida la distancia (B) desde el borde inferior de la hoja hasta el suelo en el lado izquierdo y derecho.

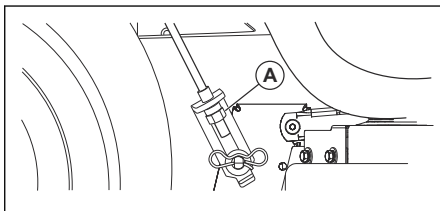


Tenga en cuenta: La distancia debe ser igual en los dos lados.

6. Ajuste la altura de corte con una llave de 3/4".

Tenga en cuenta: Cada vuelta completa de la tuerca de ajuste de elevación cambia la altura de corte en 4,7 mm (3/16").

- a) Gire la tuerca de ajuste de elevación (A) hacia la izquierda para bajar el equipo de corte.



- b) Gire la tuerca de ajuste de elevación (A) hacia la derecha para subir el equipo de corte.

7. Mida nuevamente la distancia. Ajuste hasta que los 2 lados sean iguales.
8. Corte un poco de pasto y examine los resultados. Ajuste si es necesario.

Para realizar un ajuste de adelante hacia atrás del equipo de corte

El equipo de corte debe estar nivelado de lado a lado antes de realizar el ajuste de la parte delantera respecto de la parte trasera. Consulte *Para realizar un ajuste visual de lado a lado del equipo de corte en la página 70*.

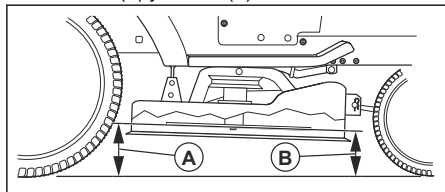
1. Asegúrese de que los neumáticos estén totalmente inflados.
2. Estacione el producto sobre una superficie nivelada.
3. Coloque el equipo de corte en la posición de transporte. Consulte *Para colocar el equipo de corte en la posición de transporte o posición de corte en la página 58*.

- Gire las hojas hasta que apunten hacia delante.



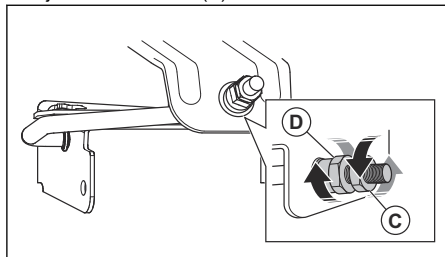
ADVERTENCIA: Las cuchillas del equipo de corte están afiladas y pueden causar lesiones. Use guantes protectores.

- Mida la distancia hasta el suelo en los extremos delantero (B) y trasero (A) de la cuchilla.



Tenga en cuenta: Para obtener los mejores resultados de corte, las hojas deben estar ajustadas hasta que el extremo delantero esté entre 3,1 y 12,7 mm (1/8 y 1/2") más bajo que el extremo trasero cuando el equipo de corte esté en su posición más alta.

- Vaya a la parte delantera de la máquina para hacer un ajuste.
- Con una llave de 11/16", afloje la tuerca de inmovilización (C) para despejar la tuerca de ajuste de elevación (D).



- Ajuste la altura del equipo de corte con una llave de 3/4".

Tenga en cuenta: Cada vuelta completa de la tuerca de ajuste de elevación cambia la altura del equipo de corte en 3,1 mm (1/8").

- Gire la tuerca de ajuste de elevación hacia el sentido contrario de las agujas del reloj para bajar el equipo de corte.
- Gire la tuerca de ajuste de elevación en el sentido a las agujas del reloj para elevar el equipo de corte.

- Mida nuevamente la distancia delantera y trasera.
- Ajuste hasta que el extremo delantero de la hoja esté de 3,1 mm a 12,7 mm (de 1/8" a 1/2") más bajo que el extremo trasero.
- Sujete la tuerca de ajuste de elevación en su posición con la llave y apriete la tuerca de inmovilización.

Para sustituir las hojas

Para obtener mejores resultados, mantenga las cuchillas de corte afiladas. Sustituya las cuchillas dobladas o dañadas.

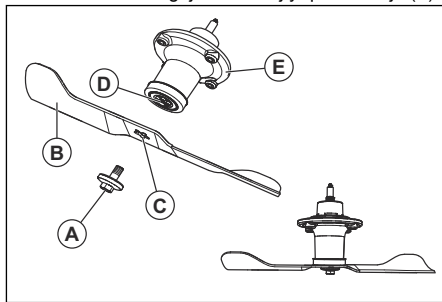


ADVERTENCIA: Las cuchillas del equipo de corte están afiladas y pueden causar lesiones. Use guantes protectores.



AVISO: Utilice solo una cuchilla de reemplazo aprobada por el fabricante. Es peligroso usar una cuchilla no aprobada por el fabricante del producto. Esto puede causar daños en el producto y anular la garantía.

- Coloque el equipo de corte en la posición de transporte. Consulte *Para colocar el equipo de corte en la posición de transporte o posición de corte en la página 58*.
- Quite el perno (A) girándolo hacia el sentido contrario a las agujas del reloj y quite la hoja (B).



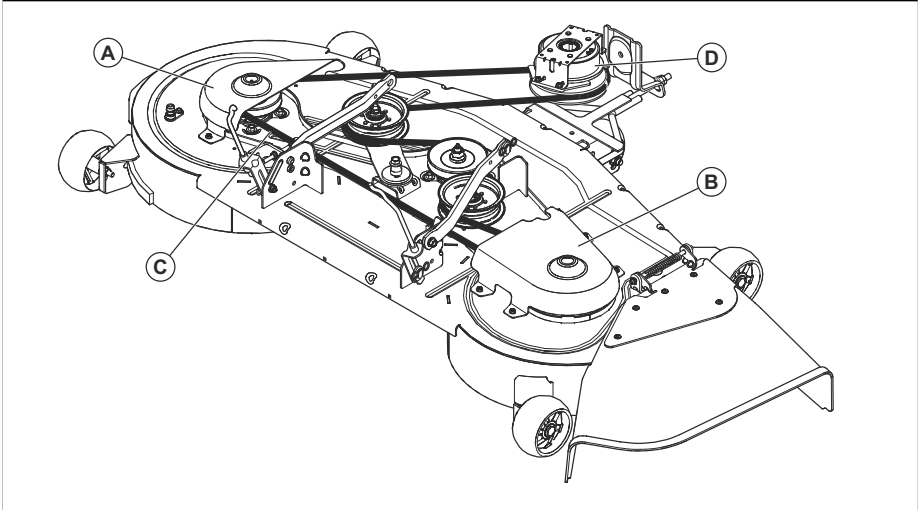
- Instale la cuchilla nueva o afilada y el perno.



AVISO: El orificio central (C) en la hoja se debe alinear con la estrella (D) en el conjunto del mandril (E).

- Apriete el perno entre 62 y 75 Nm (entre 45 y 55 lb-pie).

Para retirar la correa de transmisión del equipo de corte

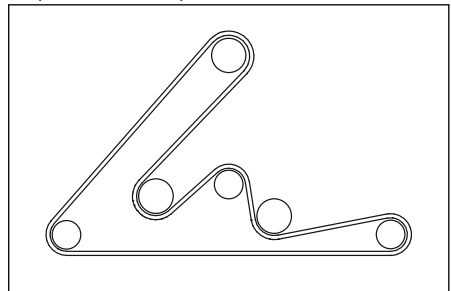
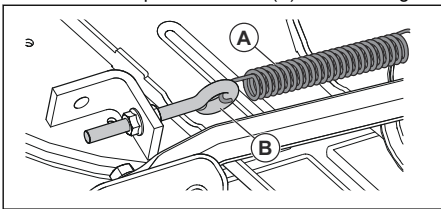


1. Estacione el producto en una superficie nivelada y accione el freno de estacionamiento.
2. Coloque la palanca de elevación del accesorio en la posición más baja.
3. Retire las cubiertas del mandril (A y B).
4. Retire la suciedad y los recortes de césped alrededor de los mandriles y de la superficie superior del equipo.
5. Gire las poleas con la mano y tire de la correa (C) para retirarla de la ranura de las poleas.
6. Retire la correa de alrededor del embrague eléctrico (D) del eje del motor.

Para instalar la correa de transmisión del equipo de corte

Tenga en cuenta: Para facilitar la instalación de la correa de transmisión del equipo de corte, consulte la etiqueta de información que se encuentra en el equipo de corte.

1. Asegúrese de que el resorte del equipo (A) esté conectado al perno de anillo (B) en el brazo guía.

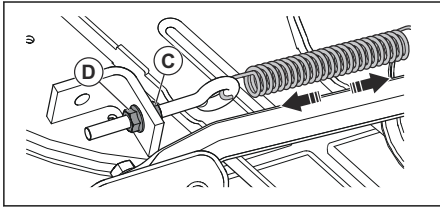


3. Instale la correa desde la parte trasera de la polea del mandril del lado izquierdo.
4. Gire la polea del mandril del lado izquierdo para tirar de la correa en la ranura de la polea del mandril del lado izquierdo.
5. Consulte la etiqueta de información que se encuentra en el equipo de corte para asegurarse de que la correa esté instalada correctamente.



AVISO: Asegúrese de que la correa no esté torcida.

- Ajuste la tensión de la correa hasta que el resorte del equipo se extienda a una longitud de 12,95 cm (5,1 in) en la altura de corte más baja.



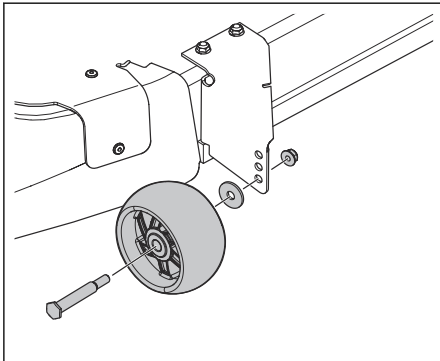
- Afloje la tuerca de ajuste interior (C).
- Gire la tuerca de ajuste exterior (D) hacia la derecha para aumentar la tensión o hacia la izquierda con el fin de disminuir la tensión.
- Cuando la tensión sea correcta, apriete la tuerca de ajuste interior completamente.

- Instale las cubiertas del mandril.

Para ajustar las ruedas de apoyo

Las ruedas de apoyo mantienen el equipo de corte en la posición correcta sobre el suelo y evitan el corte al ras del césped en la mayoría de las condiciones del terreno. Las ruedas de apoyo están correctamente ajustadas cuando están un poco separadas del suelo y el equipo de corte está a la altura de corte requerida.

- Estacione el producto en una superficie nivelada y detenga el motor.
- Ajuste el producto hasta la altura de corte requerida. Consulte *Ajuste de la altura de corte en la página 58*.
- Retire la tuerca, el perno, la arandela y la rueda de apoyo.

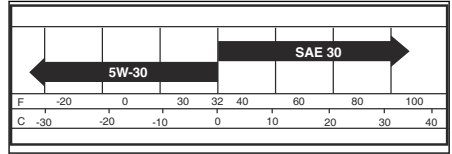


- Instale la rueda de apoyo, el perno, la arandela y la tuerca en la posición correcta.
- Ajuste todas las ruedas de apoyo e instélaslas en el mismo procedimiento.

Motor

Para lubricar el motor

Use solo un aceite detergente de alta calidad calificado con la clasificación SJ-SN de servicio de API. El grado de viscosidad SAE del aceite se refiere a la temperatura correcta para el funcionamiento.



Tenga en cuenta: Los aceites de viscosidad múltiple (5W30, 10W30, etc.) ayudan a que el motor arranque fácilmente en climas fríos, pero genera un mayor consumo de aceite cuando se utilizan en temperaturas superiores a los 0 °C/32 °F. Compruebe el nivel de aceite del motor frecuentemente para evitar posibles daños al motor causados por el bajo nivel de aceite.

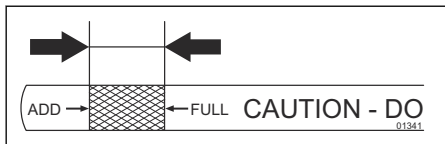
- Cambie el aceite a intervalos de 50 horas de funcionamiento. Si el producto no se utiliza durante 50 horas en un año, cambie el aceite un mínimo de una vez al año.
- Compruebe el nivel del aceite del cárter antes de arrancar el motor y después de cada ocho (8) horas de funcionamiento.
- Apriete la tapa/varilla de llenado de aceite cada vez que realice una comprobación del nivel de aceite.

Para revisar el nivel de aceite del motor

El motor del producto se llena con aceite del motor a una temperatura ambiente superior a 0 °C (32 °F). Para la operación a una temperatura ambiente inferior a 0 °C (32 °F), utilice el aceite del motor correcto para facilitar el arranque del producto. Consulte .

- Estacione el producto en un terreno plano.
- Retire la tapa de llenado de aceite y la varilla de nivel y límpiela con un paño.
- Ponga la varilla de nivel en el tubo de llenado de aceite. No gire la tapa de llenado de aceite hacia el tubo de llenado de aceite.

4. Quite la varilla de nivel. Utilice el calibrador en la varilla de nivel para examinar el nivel de aceite del motor. Si es necesario, agregue aceite del motor hasta alcanzar la marca de "FULL" (Lleno) en la varilla de nivel. No ponga demasiado aceite del motor.

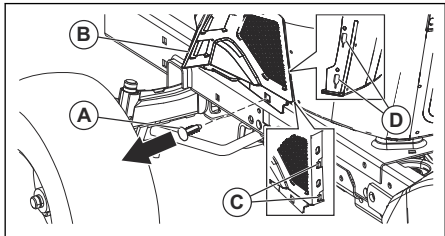


5. Ponga la varilla de nivel en el tubo de llenado de aceite. Asegúrese de que la tapa de llenado de aceite esté completamente apretada.

Tenga en cuenta: Para reemplazar el aceite del motor, consulte *Para cambiar el aceite del motor en la página 74*.

Para extraer la cubierta inferior

1. Levante la cubierta del motor.
2. Retire el sujetador (A) de la cubierta inferior (B).



3. Levante con cuidado la cubierta inferior (B) para liberar las lengüetas de la cubierta (C) de las ranuras que se estrechan (D).



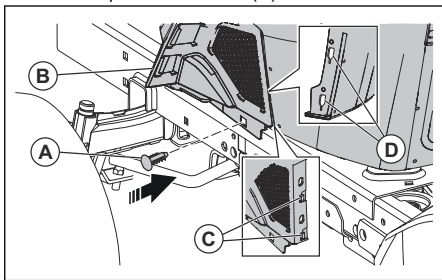
AVISO: Tenga cuidado al levantar la cubierta inferior; existe el riesgo de que se produzcan daños en las lengüetas de la cubierta inferior (C).

4. Retire la cubierta inferior.

Para instalar la cubierta inferior

1. Instale la cubierta inferior (B).

2. Presione con cuidado la cubierta inferior (B) para fijarla a las lengüetas de la cubierta (C) en las ranuras que se estrechan (D).



AVISO: Tenga cuidado al fijar la cubierta inferior; existe el riesgo de que se produzcan daños en las lengüetas de la cubierta inferior (C).

3. Instale el sujetador (A) de la cubierta inferior (B).
4. Baje la cubierta del motor.

Para cambiar el aceite del motor

Si el motor está frío, arránquelo entre 1 y 2 minutos antes de drenar el aceite del motor. Esto hace que el aceite del motor se drene más rápido.

Antes de reemplazar el aceite del motor, busque la gama de temperatura correcta del aceite.

Tenga en cuenta: Todo aceite debe cumplir con la clase recomendada de servicio SG-SL de API.



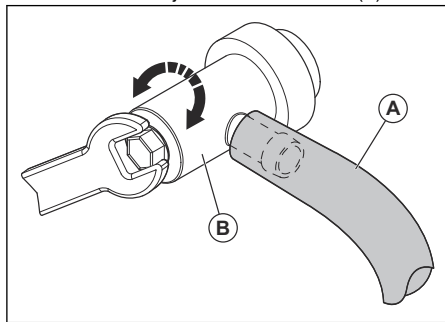
AVISO: Asegúrese de que no entre suciedad en el motor cuando reemplace el aceite del motor. La suciedad puede causar daños al motor.



ADVERTENCIA: El aceite del motor tiene una temperatura muy alta luego de que el motor se detiene. Deje que el motor se enfríe antes de drenar el aceite del motor. En caso de que el aceite del motor entre en contacto con su piel, límpiela con agua y jabón.

1. Estacione el producto sobre una superficie nivelada.
2. Retire la cubierta inferior. Consulte *Para extraer la cubierta inferior en la página 74*.
3. Quite la varilla de nivel.

4. Instale el tubo de drenaje de aceite (A) en la válvula de drenaje de aceite del motor (B).



5. Coloque un recipiente debajo del motor para reunir el aceite del motor.
6. Gire la válvula de drenaje de aceite hacia la izquierda para abrir la válvula de drenaje de aceite. Utilice una llave de 10 mm.
7. Cuando se haya drenado todo el aceite del motor, gire la válvula de drenaje de aceite hacia la derecha para cerrarla. Utilice una llave de 10 mm.
8. Utilice la llave de 10 mm para apretar cuidadosamente la válvula de drenaje de aceite en la posición cerrada. No apriete en exceso.



AVISO: No aplique demasiada fuerza cuando apriete la válvula de drenaje de aceite.

9. Retire el tubo de drenaje de aceite de la válvula de drenaje de aceite.
10. Llene el motor con aceite de motor nuevo a través del tubo de la varilla de nivel. Llene lentamente. No llene el motor con demasiado aceite de motor. Para conocer la capacidad aproximada, consulte *Datos técnicos en la página 84*.
11. Revise el nivel de aceite del motor. Consulte *Para revisar el nivel de aceite del motor en la página 73*.
12. Instale la cubierta inferior. Consulte *Para instalar la cubierta inferior en la página 74*.

Para reemplazar el filtro de aceite del motor



ADVERTENCIA: Use guantes protectores. Si se derrama aceite del motor en su cuerpo, limpie con agua y jabón.

1. Drene el aceite del motor del depósito de aceite. Consulte *Para cambiar el aceite del motor en la página 74*.
2. Gire el filtro de aceite del motor hacia la izquierda para retirarlo.

3. Lubrique ligeramente la junta de goma del nuevo filtro de aceite con aceite de motor nuevo.
4. Para instalar el nuevo filtro de aceite, gírelo en el sentido de las agujas del reloj hasta que la junta de goma quede en su posición correctamente y, luego, apriete media vuelta más.
5. Llene el depósito de aceite con aceite de motor nuevo. Consulte *Para cambiar el aceite del motor en la página 74*.
6. Arranque el motor y déjelo funcionar en régimen de ralentí durante 3 minutos.
7. Detenga el motor y asegúrese de que no haya fugas de aceite en el filtro de aceite.

Tenga en cuenta: Si hay fugas de aceite, apriete el filtro de aceite nuevamente.

8. Llene el depósito de aceite con un poco más de aceite para reemplazar el que se absorbió por el nuevo filtro de aceite.

Para limpiar el filtro de aire

El motor no funcionará de forma satisfactoria con un filtro de aire sucio. Limpie el filtro de aire con más frecuencia en condiciones polvorientas.

Para limpiar la pantalla de aire

Tenga en cuenta: La pantalla de aire se debe mantener libre de suciedad para evitar daños al motor causados por un sobrecalentamiento.

- Limpie la pantalla de aire con un cepillo de alambre o con aire comprimido para eliminar la suciedad.

Para realizar mantenimiento en el sistema refrigerante del motor

Tenga en cuenta: Una pantalla de césped bloqueada, las aletas de refrigeración sucias o llenas, una carcasa de la sopladora retirada, etcétera, pueden hacer que el motor se caliente demasiado y causar daños en el motor.

- Asegúrese de que la pantalla de césped, las aletas de refrigeración y otras superficies externas del motor estén limpias en todo momento.
- Después de cada intervalo de 100 horas de funcionamiento (con más frecuencia en condiciones polvorientas y de suciedad extremas), retire la carcasa de la sopladora y otras piezas del sistema refrigerante del motor. Limpie las aletas de enfriamiento y las superficies externas conforme sea necesario. Asegúrese de que las piezas del sistema refrigerante del motor se instalen correctamente.

Para revisar el silenciador

- Examine el silenciador con regularidad para asegurarse de que está instalado correctamente y que no esté dañado.

Para reemplazar las bujías

El tipo de bujía y el espacio (ajuste de la separación) se muestran en .

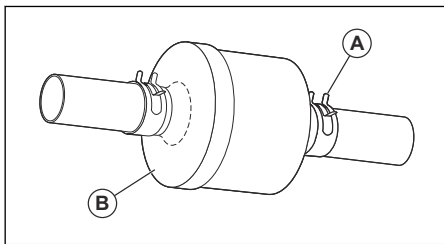
- Reemplace las bujías al comienzo de cada temporada de corte o después de cada intervalo de 100 horas de funcionamiento.

Para reemplazar el filtro de combustible en línea

Tenga en cuenta: Reemplace el filtro de combustible en línea cada año como mínimo.

Reemplace el filtro en línea cuando se obstruya y detenga el flujo de combustible al carburador.

- Deje que el motor se enfríe.
- Retire el filtro de combustible en línea (B) y selle las secciones de línea de combustible con tapones.
- Coloque el nuevo filtro de combustible en línea en su posición en el tubo de combustible con la flecha apuntando hacia el carburador.
- Asegúrese de que no haya fugas en la tubería de combustible y que las abrazaderas (A) estén en la posición correcta.
- Si se derrama, limpie el producto inmediatamente.



Para extraer el producto desde la transmisión



AVISO: No acople ni desacople la palanca de rueda libre mientras el motor esté en marcha.

Para mantener el alto rendimiento, retire el aire en la transmisión antes de operar el producto por primera vez.

Si reemplaza la transmisión, retire el aire en la nueva transmisión antes de operar el producto.

- Estacione el producto en una superficie horizontal que esté despejada y abierta.
- Detenga el motor y acople el freno de estacionamiento.
- Coloque el control de la rueda libre en la posición desacoplada. Consulte *Transporte en la página 83*.
- Arranque el motor. Una vez que el motor haya arrancado, mueva el acelerador a la posición lenta y, luego, desacople el freno de estacionamiento.
- Realice los pasos que siguen 3 veces.

Tenga en cuenta: Durante este procedimiento, puede haber movimiento de las ruedas motrices.

- Pise el pedal de avance hasta la posición de avance máxima y manténgalo presionado durante 5 segundos antes de soltarlo.
 - Pise el pedal de marcha atrás hasta la posición de inversa máxima y manténgalo presionado durante 5 segundos antes de soltarlo.
- Detenga el motor y acople el freno de estacionamiento.
 - Coloque el control de la rueda libre en la posición acoplada. Consulte *Transporte en la página 83*.
 - Siéntese en el asiento y arranque el motor. Una vez que el motor haya arrancado, mueva lentamente el acelerador a la posición de aceleración máxima.
 - Desacople el freno de estacionamiento.
 - Opere el producto hacia delante aproximadamente 5 pies (1,5 m) y luego hacia atrás por 5 pies (1,5 m). Realice este procedimiento tres veces.

Solución de problemas

Problema	Causa	Acción
El motor no arranca.	No hay combustible en el depósito de combustible.	Llene el depósito de combustible.
	El acelerador no está en la posición correcta.	Consulte las instrucciones de arranque.
	La bujía está dañada.	Reemplace la bujía.
	El filtro de aire está sucio.	Limpie o reemplace el filtro de aire.
	El filtro de combustible está obstruido.	Reemplace el filtro de combustible.
	Hay agua en el combustible.	Quite todo el combustible del depósito de combustible y del carburador. Llene el depósito de combustible con combustible nuevo y cambie el filtro de combustible.
	Los cables están sueltos o dañados.	Compruebe todos los cables.
	Las válvulas del motor no están ajustadas correctamente.	Comuníquese con un taller de servicio autorizado.
	El motor está inundado.	Espere de 2 a 3 minutos antes de intentar arrancar el motor nuevamente.
	El combustible en el depósito de combustible está defectuoso.	Cambie el combustible en el depósito de combustible.

Problema	Causa	Acción
El motor de arranque no hace girar el motor.	La batería tiene muy poca carga.	Cargue la batería.
	El control del embrague de acoplamiento está conectado.	Desconecte el control del embrague de acoplamiento.
	El pedal de embrague/freno no está presionado completamente.	Pise completamente el pedal de embrague/freno cuando arranque el motor.
	La conexión de los conectores del cable con los terminales de la batería está mal.	Revise las conexiones de la batería.
	El fusible principal está dañado.	Reemplace el fusible principal.
	El bloqueo de encendido está dañado.	Comuníquese con un taller de servicio autorizado.
	El conector de seguridad del pedal de embrague/freno está dañado.	Comuníquese con un taller de servicio autorizado.
	El motor de arranque o el solenoide están dañados.	Comuníquese con un taller de servicio autorizado.
	El control de presencia del usuario (OPC) no funciona correctamente.	Compruebe los cables, interruptores y conexiones. Si no se puede corregir, consulte a un taller de servicio aprobado. No utilice un producto con un control de presencia del usuario que no funcione correctamente.

Problema	Causa	Acción
El motor no funciona correctamente.	La bujía está dañada.	Reemplace la bujía.
	El carburador no está ajustado correctamente.	Comuníquese con un taller de servicio autorizado.
	El filtro de aire está sucio.	Limpie o reemplace el filtro de aire.
	La válvula de retención en el tapón del depósito de combustible está dañada.	Reemplace la tapa del depósito de combustible.
	El depósito de combustible está casi vacío.	Llene el depósito con combustible.
	Hay agua en el combustible.	Quite todo el combustible del depósito de combustible y del carburador. Llene el depósito de combustible con combustible nuevo y cambie el filtro de combustible.
	El estrangulador está accionado y el motor está caliente.	Desactive el estrangulador.
	La mezcla de combustible o el tipo de combustible son incorrectos.	Quite todo el combustible del depósito de combustible y del carburador. Llene el depósito de combustible con la mezcla o el tipo de combustible correcto.
	El filtro de combustible está obstruido.	Reemplace el filtro de combustible.
	La bujía está dañada.	Reemplace la bujía.
	Hay suciedad en el carburador o la tubería de combustible.	Limpie el carburador y los tubos de combustible.
El motor se sobrecalienta.	Hay sobrecarga en el motor.	Disminuya la carga de trabajo.
	La toma de aire o las aletas de refrigeración del motor están bloqueadas.	Limpie la toma de aire y las aletas de refrigeración del motor.
	El ventilador de refrigeración está dañado.	Comuníquese con un taller de servicio autorizado.
	El nivel de aceite del motor es demasiado bajo.	Revise el nivel de aceite del motor. Rellene con aceite del motor si es necesario.
	El bloqueo de encendido está dañado.	Comuníquese con un taller de servicio autorizado.
	La bujía está dañada.	Reemplace la bujía.

Problema	Causa	Acción
Hay una pérdida de potencia.	El producto funciona a una velocidad de avance o retroceso demasiado alta cuando corta césped.	Utilice una velocidad más baja.
	El acelerador está en la posición de estrangulamiento.	Coloque el acelerador en la posición rápida.
	Hay acumulación de césped, hojas o material no deseado debajo del equipo de corte.	Limpie el equipo de corte.
	El filtro de aire está sucio.	Limpie o reemplace el filtro de aire.
	El nivel de aceite del motor es demasiado bajo.	Revise el nivel de aceite del motor. Rellene con aceite del motor si es necesario.
	El aceite del motor está sucio.	Cambie el aceite del motor.
	La bujía está dañada.	Reemplace la bujía.
	El filtro de combustible está sucio.	Reemplace el filtro de combustible.
	El combustible en el depósito de combustible está defectuoso.	Cambie el combustible en el depósito de combustible.
	Hay agua en el combustible.	Quite todo el combustible del depósito de combustible y del carburador. Llene el depósito de combustible con combustible nuevo y cambie el filtro de combustible.
	El cable de la bujía está suelto.	Conecte y apriete el cable de la bujía.
	La toma de aire o las aletas de refrigeración del motor están bloqueadas.	Limpie la toma de aire y las aletas de refrigeración del motor.
	El silenciador está obstruido o dañado.	Limpie o reemplace el silenciador.
	Hay cables flojos o dañados.	Compruebe todos los cables.
Las válvulas del motor no están ajustadas correctamente.	Comuníquese con un taller de servicio autorizado.	
Hay vibración en el producto.	Las cuchillas están sueltas.	Apriete los pernos de las hojas.
	Una o varias hojas están dañadas o se encuentran desequilibradas.	Equilibre las hojas o reemplácelas.
	El motor está suelto.	Apriete los pernos del motor.
La batería no se carga.	El fusible principal está dañado.	Reemplace el fusible principal.
	La batería está dañada.	Cambie la batería.
	El cable de carga está desconectado.	Conecte el cable de carga.
	La conexión de los conectores del cable con los terminales de la batería está mal.	Revise las conexiones de la batería.

Problema	Causa	Acción
El motor funciona cuando el operador se sube del asiento y el equipo de corte está acoplado.	El control de presencia del usuario (OPC) no funciona correctamente.	Compruebe los cables, interruptores y conexiones. Si no se puede corregir, consulte a un taller de servicio aprobado. No utilice un producto con un control de presencia del usuario que no funcione correctamente.
Las hojas no pueden girar.	Hay un bloqueo en el mecanismo del embrague.	Elimine la obstrucción.
	La correa de transmisión del equipo está desgastada o dañada.	Reemplace la correa de transmisión del equipo de corte.
	Una polea tensora está congelada.	Cambie la polea tensora.
	Un mandril de hoja está congelado.	Reemplace el mandril de la cuchilla.
Descarga de césped dañada.	El régimen del motor es demasiado bajo.	Coloque el acelerador en la posición rápida.
	El producto funciona a una velocidad de avance o retroceso demasiado alta.	Utilice una velocidad más baja.
	El césped está mojado.	Deje que el césped se seque antes de cortarlo.
	El equipo de corte no es paralelo.	Ajuste el paralelismo del equipo de corte. Consulte <i>Para ajustar el paralelismo del equipo de corte en la página 70</i> .
	La presión de los neumáticos es incorrecta.	Revise la presión de los neumáticos. Ajuste la presión de los neumáticos si es necesario.
	Las hojas están desgastadas, dañadas o sueltas.	Reemplace las hojas o ajuste los pernos de las hojas.
	Acumulación de césped o suciedad debajo del equipo de corte.	Limpie el equipo de corte.
	La correa de transmisión del equipo está desgastada o dañada.	Reemplace la correa de transmisión del equipo de corte.
	Las hojas están mal instaladas.	Instale las cuchillas con el borde afilado hacia abajo.
	Se están usando las hojas incorrectas.	Reemplace las hojas con las hojas correctas que se indican en el manual de piezas.
Orificios de aire obstruidos en el equipo de corte por acumulación de césped y suciedad alrededor de los mandriles.	Limpie alrededor de los mandriles para abrir los orificios de ventilación.	

Problema	Causa	Acción
El faro no funciona.	Asegúrese de que el interruptor del faro esté en la posición de apagado.	Coloque el interruptor del faro en la posición de encendido.
	El foco está dañado.	Reemplace el foco.
	El interruptor de alimentación del foco está dañado.	Reemplace el interruptor de alimentación del faro.
	El cable que va al faro no está conectado.	Compruebe los cables y las conexiones.
	Hay un cortocircuito en el cable del faro.	Comuníquese con un taller de servicio autorizado.
El producto se mueve lentamente, con velocidad irregular o no se mueve.	El producto está en el modo de rueda libre.	Tire hacia afuera de la palanca de control de rueda libre. Consulte <i>Para poner el producto en modo de rueda libre en la página 61.</i>
	El freno de estacionamiento está accionado.	Desacople el freno de estacionamiento.
	La correa de transmisión está suelta o defectuosa.	Reemplace la correa de transmisión.
	Hay aire en la transmisión.	Extraiga el aire de la transmisión. Consulte <i>Para extraer el producto desde la transmisión en la página 76.</i>
	Hay materiales no deseados en la placa de dirección (si la placa de dirección está instalada).	Limpie la máquina.
	Falta la llave cuadrada del eje.	Instale la llave cuadrada. Consulte <i>Para reparar los neumáticos en la página 65.</i>
El resultado de corte no es satisfactorio.	Las hojas están desafiladas o dañadas.	Afile las cuchillas o reemplácelas.
	El equipo de corte no está paralelo.	Ajuste el paralelismo del equipo de corte. Consulte <i>Para ajustar el paralelismo del equipo de corte en la página 70.</i>
	El césped está mojado.	Deje que el césped se seque antes de cortarlo.
	El césped es largo.	Empiece con una altura de corte elevada y reduzca gradualmente.
	La presión de los neumáticos es incorrecta.	Revise la presión de los neumáticos. Ajuste la presión de los neumáticos si es necesario.
	El producto funciona a una velocidad de avance o retroceso demasiado alta.	Utilice una velocidad más baja.
	La correa de transmisión del equipo está desgastada o dañada.	Reemplace la correa de transmisión del equipo de corte.
El motor petardea cuando se detiene.	El acelerador no se encuentra en la posición lenta.	Consulte <i>Para detener el producto en la página 59.</i>

Problema	Causa	Acción
El motor se detiene cuando intenta retroceder.	El sistema de operación inversa (ROS) no está activado.	Active el sistema de operación inversa (ROS). Consulte <i>Para utilizar el sistema de funcionamiento en reversa (ROS) en la página 61.</i>

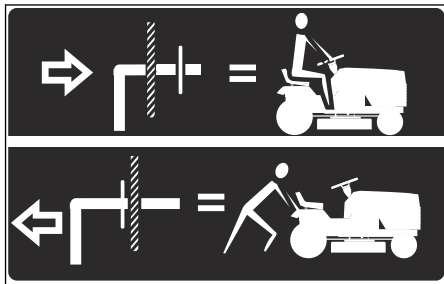
Transporte, almacenamiento y eliminación de residuos

Transporte

Tenga en cuenta: Cierre y fije la cubierta al producto durante el transporte para evitar daños. Conecte la cubierta al producto con las herramientas correctas (cuerda, cable y otros).

Tenga en cuenta: Utilice rampas de ancho completo para cargar y descargar el producto para el transporte.

Cuando mueva el producto, coloque el control de la rueda libre en la posición de rueda libre para desacoplar la transmisión. El control de rueda libre se ubica en la barra de tracción trasera del producto.



1. Levante el accesorio a la posición más alta con el control de elevación del acoplamiento.
2. Retire el control de la rueda libre, insértelo en la ranura y suéltelo para que se mantenga en la posición desacoplada.
3. No mueva el producto a más de dos (2) mph (3,2 km/h).
4. Para volver a acoplar la transmisión, haga el procedimiento anterior en el orden inverso.

Seguridad de remolque

- Utilice únicamente equipos de remolque aprobados por Husqvarna.
- Utilice la barra de remolque para conectar el equipo.
- No remolque equipos más pesados que el peso máximo permitido.
- Cuando remolque equipos, asegúrese de que no haya otras personas cerca de la máquina.
- No remolque equipos en pendientes ni en terreno irregular.
- Opere la máquina a baja velocidad cuando remolque equipos.

Almacenamiento

Prepare el producto para guardarlo al final de la temporada, y antes de más de 30 días de almacenamiento. Si mantiene combustible en el depósito de combustible durante 30 días o más, partículas pegajosas pueden obstruir el carburador. Esto afecta negativamente el funcionamiento del motor.

Para evitar partículas pegajosas durante el almacenamiento, agregue un estabilizador. Si se utiliza gasolina de alquilato, no es necesario un estabilizador. Si se utiliza gasolina estándar, no cambie a gasolina de alquilato. Esto puede provocar que las piezas de goma sensibles se endurezcan. Agregue estabilizador al combustible del depósito o al contenedor usado para el almacenamiento. Utilice siempre las proporciones de mezcla indicadas por el fabricante. Haga funcionar el motor durante un

mínimo de 10 minutos después de agregar el estabilizador hasta que fluya al carburador.



ADVERTENCIA: No mantenga el producto con combustible en el depósito en interiores o en lugares con mala ventilación. Existe riesgo de incendio si los vapores de combustible alcanzan llamas abiertas, chispas o luces piloto, como calderas, depósitos de agua caliente y secadoras de ropa.



ADVERTENCIA: Retire el césped, las hojas y otros materiales inflamables del producto para reducir el

riesgo de incendio. Deje que el producto se enfríe antes de guardarlo.



AVISO: Si retira la batería del producto, no la mantenga directamente sobre superficies de hormigón o húmedas.

- Limpie el producto; consulte *Para limpiar el producto en la página 64*.
- Repare los daños de la pintura para evitar la corrosión.
- Examine el producto en busca de piezas dañadas o desgastadas y apriete las tuercas y los tornillos sueltos.
- Examine las correas y reemplácelas si están desgastadas o dañadas.
- Si el producto se almacena durante el invierno, retire y limpie el equipo de corte. Mantenga el equipo de corte en un entorno limpio y seco.
- Cargue toda la batería.

Tenga en cuenta: Puede ser necesario cargar la batería nuevamente después de un período en almacenamiento.

- Desconecte la batería y limpie los terminales y los conectores. Consulte *Para limpiar la batería y los terminales en la página 67*.



AVISO: Riesgo de cortocircuito. Asegúrese de colocar los cables

de batería desconectados en una posición en la que no puedan tocar la batería ni los terminales.

- Cambie el aceite del motor y deseche el aceite residual.
- Vacíe el depósito de combustible. Arranque el motor y déjelo en marcha hasta que no quede combustible en el carburador.

Tenga en cuenta: No vacíe el depósito de combustible ni el carburador si se ha agregado un estabilizador.

- Extraiga las bujías y ponga aproximadamente una cucharadita de aceite del motor en cada cilindro. Gire el eje del motor de forma manual para aplicar el aceite. Instale las bujías.
- Lubrique todas las boquillas de engrase, juntas y ejes.
- Mantenga el producto en una zona limpia y seca, y cúbralo para mayor protección.



AVISO: No coloque una cubierta sobre el producto cuando el motor o el escape estén calientes.

- Hay una cubierta de protección para el producto durante el almacenamiento o el transporte disponible en su distribuidor.

Eliminación

- Las sustancias químicas pueden ser peligrosas y no deben tirarse en el suelo. Siempre elimine los productos químicos utilizados en un centro de servicio o un lugar adecuado para su eliminación.
- Cuando el producto se desgaste completamente, envíelo al distribuidor o a un centro de reciclaje aplicable.
- El aceite, los filtros de aceite, el combustible y la batería pueden tener efectos negativos en el

ambiente. Obedezca las regulaciones vigentes y los requisitos de reciclaje locales.

- No deseche la batería como un residuo doméstico.
- Envíe la batería a un distribuidor de servicio Husqvarna o deséchela en un lugar para eliminación de baterías usadas.

Datos técnicos

	TS 375XD (48)
Motor	
Marca del motor	Kawasaki
Modelo de motor	FR730V

	TS 375XD (48)
Potencia normal del motor, HP / kW ²	24 / 17,9 a 3400 rpm
Máx. régimen del motor, rpm	3300 ± 100
Régimen máximo de avance, mph / km/h	5,5 / 8,9
Régimen máximo de retroceso, mph / km/h	2,5 / 4
Combustible, grado de octanos mínimo, sin plomo, etanol al 10 % máx., un 15 % MTBE máx., AKI / RON	87 / 91
Capacidad del depósito de combustible, galón / l	4 / 15,14
Tipo de aceite por encima de 32 °F / 0 °C (API: SJ-SN):	SAE 10W30
Tipo de aceite por debajo de 32 °F / 0 °C (API: SJ-SN):	SAE 5W30
Volumen de aceite con filtro de aceite, oz / l	68 / 2,1
Volumen de aceite sin filtro de aceite, oz / l	61 / 1,8
Sistema de lubricación	Presión con filtro de aceite
Sistema refrigerante	Refrigerado por aire
Filtro de aire	Dual
Alternador, V. amp. a 3600 rpm	12 V 15 amp.a 3600 rpm
Motor de arranque	Arranque eléctrico de 12 V
Peso	
Peso con tanques vacíos, lb / kg	675 / 306
Equipo de corte	
Cantidad de cuchillas	3
Longitud de la hoja, in / cm	16,5 / 41,91
Ancho de corte, in / cm	48 / 122
Altura de corte, in / cm	1,5-3,8 / 3,8-9,7
Neumáticos	
Presión de los neumáticos, traseros y delanteros, PSI / kPa / bar	15 / 103 / 1
Neumáticos delanteros, in	16x6,5-8
Neumáticos traseros, neumático para césped, in	22x11-10
Frenos	Freno de estacionamiento mecánico
Sistema eléctrico	
Tipo	12 V
Batería	28 A

² La potencia nominal declarada por el fabricante del motor es la salida de potencia bruta promedio en las RPM especificadas de un motor típico de producción para el modelo del motor medido utilizando las normas SAE de potencia bruta del motor. Consulte las especificaciones del motor del fabricante.

	TS 375XD (48)
Bujía	BPR4ES
Distancia entre los electrodos, in / mm	0,030 / 0,76
Par de la bujía, lb-ft / Nm	16 / 22

Servicio

Servicio

Realice una comprobación anual en un centro de servicios autorizado para asegurarse de que el producto funciona de forma segura y a su máximo potencial durante la temporada alta. El mejor momento para hacer mantenimiento o reparaciones a este producto es en la temporada baja.

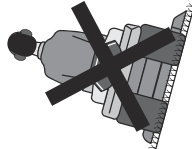
Cuando envíe un pedido de piezas de repuesto, dé información sobre el año de compra, modelo, tipo y número de serie.

Utilice siempre piezas de repuesto originales.

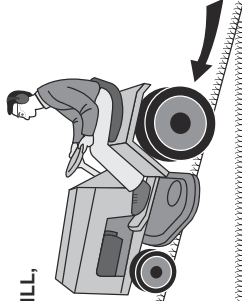
SUGGESTED GUIDE FOR SIGHTING SLOPES FOR SAFE OPERATION



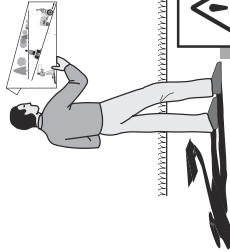
1. Fold this page along dotted line indicated above.
2. Hold page before you so that its left edge is vertically parallel to a tree trunk or other upright structure.
3. Sight across the fold in the direction of hill slope you want to measure.
4. Compare the angle of the fold with the slope of the hill.



**ONLY RIDE UP AND DOWN HILL,
NOT ACROSS HILL**



15 DEGREES MAX.



WARNING: To avoid serious injury, operate your unit up and down the face of slopes, never across the face. Do not mow slopes greater than 15 degrees. Make turns gradually to prevent tipping or loss of control. Exercise extreme caution when changing direction on slopes. Do not mow near drop-offs, ditches, or embankments. Keep at least the width of the machine away from these hazards. Failure to follow these warnings could lead to death or serious injury.



Husqvarna®

www.husqvarna.com

Original instructions
Instrucciones originales

1144847-49 Rev. 0



2025-11-12