



Husqvarna®



Operator's manual
HUSQVARNA AUTOMOWER®
540/560/580/580L EPOS®

Read the operator's manual carefully and make sure that you understand the instructions before you use the product.



EN, English

Contents

1 Safety		6 Maintenance	
1.1 Safety definitions.....	3	6.1 Introduction - maintenance.....	29
1.2 General safety instructions.....	3	6.2 Maintenance schedule.....	29
1.3 Safety instructions for installation.....	4	6.3 Clean the product.....	30
1.4 Safety instructions for operation.....	4	6.4 Replacement of the blades.....	32
1.5 Safety instructions for maintenance.....	5	6.5 Replace the wheel brushes.....	33
1.6 Battery safety.....	5	6.6 Battery.....	33
1.7 To lift and move the product.....	5	6.7 Winter service.....	34
1.8 Cyber security.....	5		
2 Introduction		7 Troubleshooting	
2.1 Support.....	7	7.1 Introduction - troubleshooting.....	35
2.2 Product description.....	7		
2.3 System description.....	7	8 Transportation, storage and disposal	
2.4 System overview.....	8	8.1 Transportation.....	45
2.5 Product overview.....	9	8.2 To put the product into storage.....	45
2.6 Control panel overview.....	10	8.3 To put the charging station into storage.....	45
2.7 LED status bar on the product.....	10	8.4 Disposal.....	46
2.8 LED indicators of the buttons.....	11		
2.9 Symbols on the product.....	11	9 Technical data	
2.10 Symbols on the battery.....	11	9.1 Technical data.....	47
2.11 Product damage.....	12	9.2 Registered trademarks.....	50
3 Installation		10 Declaration of Conformity	
3.1 Introduction - Installation.....	13	10.1 Original EU Declaration of Conformity.....	51
3.2 Primary components for installation.....	13	10.2 Translated EU Declaration of Conformity.....	52
3.3 To prepare for installation.....	13		
3.4 Installation of the product.....	16	11 Applicable to UK market	
4 Settings		11.1 Statement of compliance.....	53
4.1 Areas.....	24		
4.2 Configuration.....	25		
4.3 Bluetooth® menu.....	25		
4.4 Error log.....	25		
4.5 Download firmware over the air (Firmware over the air FOTA).....	25		
5 Operation			
5.1 To set the product to ON.....	27		
5.2 Operate according to schedule.....	27		
5.3 Mow a selected work area or override schedule.....	27		
5.4 Park.....	27		
5.5 Park at Maintenance point.....	27		
5.6 To stop the product.....	28		
5.7 To set the product to OFF.....	28		
5.8 To charge the battery.....	28		

1 Safety

1.1 Safety definitions

Warnings, cautions and notes are used to point out specially important parts of the manual.



WARNING: Used if there is a risk of injury or death for the operator or bystanders if the instructions in the manual are not obeyed.



CAUTION: Used if there is a risk of damage to the product, other materials or the adjacent area if the instructions in the manual are not obeyed.

Note: Used to give more information that is necessary in a given situation.

1.2 General safety instructions



WARNING: Read the warning instructions that follow before you use the product.

- Read the Operator's manual carefully and make sure you understand the instructions before you use the product. Keep for future reference.
- This appliance is not intended for use by children or persons with reduced physical, sensory or mental capabilities (that could affect a safe handling of the product), or lack of experience and knowledge, unless they have been given supervision or instruction concerning use of the appliance by a person responsible for their safety. However, EU requirements allows this appliance to be used by children aged from 8 years and above and persons with reduced physical, sensory or mental capabilities or lack of experience and knowledge, if they have been given supervision or instruction concerning use of the appliance in a safe way and understand the hazards involved. Children shall not play with the appliance. Cleaning and user maintenance shall not be made by children without supervision.
- The product must only be used with the equipment recommended by Husqvarna. All other types of use are incorrect.
- To prevent damage to the product and accidents to vehicles and persons, do not install work areas and transport paths across public pathways.
- The product is not a toy. The blades of the product can cause injury to persons and animals.
- Do not let children less than 8 years of age be in the work area during operation. Children and animals must be supervised at all times during operation.
- All persons must be a minimum of 3 m/10 ft away from the product when it is in operation. Do not for example sleep or sunbathe in the work area when the product is in operation.
- Warning signs must be put around the work area of the product if it operates in public areas. The signs must have the text that follows: Warning! Automatic lawn mower! Keep away from the machine! Supervise children!
- Do not run when you operate the product manually with appDrive. Make sure that you have a safe and stable position at all times. Make sure that there are no persons near the product when it operates in steep slopes. Always wear substantial footwear and long pants when you operate the product with appDrive.
- To set the product to OFF, go behind the product and push the STOP button. You can use the app to pause the product if it is applicable for your product. When the product is set to OFF, wait minimum 3 seconds before you move the product.
- Set the product to OFF before you clear a blockage, do maintenance or examine the product, and if the product starts to vibrate abnormally. Examine the product for damage before you start the product again. Do not use the product if it is damaged.
- Do not touch moving hazardous parts, such as the blade disc, before it has come to a complete stop.
- If an injury or accident occur, get medical aid.
- Do not install the mains cable in an area where the product cuts. Follow the instructions to install the mains cable, refer to *Installation on page 13*. Installation must be done by service personnel.
- Do not connect a damaged cable or plug, or touch a damaged cable, before it is disconnected from the power outlet. Disconnect the plug from the power outlet if the cable becomes damaged while in operation. A worn or damaged cable increases the risk of electrical shock. A damaged cable must be replaced by service personnel.
- When you connect the mains cable to the power outlet, use an outlet with a Class A ground fault circuit interrupter (GFCI) or a residual-current device (RCD) of maximum 30 mA.
- Only charge the product in the included charging station. For safe disposal of the battery, refer to *Disposal on page 46*. Incorrect use may result in electric shock, overheating or leaking of corrosive liquid from the battery. In the event of leakage of electrolyte, flush with water/neutralizing agent. Get medical aid if corrosive liquid comes in your eyes.

- Use only original batteries recommended by Husqvarna. Product safety cannot be guaranteed with other than original batteries. Do not use non-rechargeable batteries.
- Follow the installation instructions that includes to specify the work area, refer to *Installation on page 13*.
- Follow the instructions about to start and operate the product, refer to *Operation on page 27*.
- If there is a risk of thunderstorm, Husqvarna recommends that the mains cable to the charging station is disconnected to decrease the risk of damage to electrical components. Connect the mains cable again if there is no longer a risk of thunderstorm.
- Follow the maintenance instructions and if necessary use Husqvarna original spare parts, refer to *Maintenance on page 29*.
- For technical data such as weight, dimensions and noise emission values, refer to *Technical data on page 47*.
- The operator is responsible for accidents or dangers that occurs to other persons or property.
- The product must only be operated, maintained and repaired by persons that are fully conversant with its special characteristics and safety regulations.
- It is not permitted to change the initial design of the product.
- Obey national regulations about electrical safety.
- Husqvarna does not guarantee full compatibility between the product and other types of wireless systems such as remote controls, radio transmitters or equivalent.
- The built-in alarm is very loud. Be careful, especially if the product is handled indoors.
- Operation, charging and storage temperature is 0-45°C / 32-113 °F. Long-term storage temperature that is more than 1 month, must be 0-25 °C / 32-77 °F.

1.3 Safety instructions for installation



WARNING: Read the warning instructions that follow before you use the product.

- Do not install the charging station in an area where there is a risk that persons trip on it.
- Do not install the charging station, including any accessory, at a location that is below, or within 60 cm / 24 in. from, any combustible material. In case of malfunction, heating of the charging station and the power supply may occur and create a potential risk of fire.
- Do not install the charging station where there are pests, for example ants.

- Applicable to USA/Canada. If power supply is installed outdoors: Risk of Electric Shock. Install only to a covered Class A GFCI receptacle (RCD) that has an enclosure that is weatherproof with the attachment plug cap inserted or removed.
- Do not install the charging station where there is a risk of standing water.

1.4 Safety instructions for operation



WARNING: Read the warning instructions that follow before you use the product.

- Keep your hands and feet away from the rotating blades. Do not put your hands or feet near or below the product when it is set to ON.
- Use the park mode or set the product to OFF when persons, especially children or animals are in the work area. Refer to *To set the product to OFF on page 28*. Husqvarna recommends to set the product to operate when the work area has no activity. The product can cause injury to animals at night in work area, for example hedgehogs. Refer to *Operate according to schedule on page 27*.
- Make sure that there are no objects such as stones, branches, tools or toys on the lawn. The blades can be damaged if it hits an object.
- Do not lift the product or move it when it is set to ON.
- Do not let the product collide with persons or animals. If a person or animal comes in the way of the product, stop the product immediately. Refer to *To stop the product on page 28*.
- Do not put objects on top of the product, the charging station or the reference station.
- Do not use the product if the **STOP** button does not work.
- Always set the product to OFF when it is not in operation. The product can only start when you enter the correct PIN code.
- Do not touch the charging plates on the charging station when the charging station is connected to the power outlet.
- Do not use the product at the same time as a pop-up sprinkler. Use the *Schedule* function so the product and pop-up sprinkler do not operate at the same time. Refer to *Operate according to schedule on page 27*.
- Do not put a transport path where pop-up sprinklers are installed.
- Do not let the product operate when there is standing water in the work area. For example when heavy rain forms pools of water.

1.5 Safety instructions for maintenance



WARNING: Read the warning instructions that follow before you do maintenance on the product.

- Set the product to **OFF** when you do maintenance on the product.
- Do not use a high-pressure washer to clean the product. Do not use solvents to clean the product.
- Disconnect the plug to the charging station before you clean or do maintenance of the charging station.

1.6 Battery safety



WARNING: Read the warning instructions that follow before you use the product.

- Lithium-ion batteries can explode or cause fire if disassembled, short-circuited, exposed to water, fire, or high temperatures. Handle carefully, do not dismantle, open the battery or use any type of electrical/mechanical abuse. Avoid storage in direct sunlight.
- Do not use a damaged battery. Dispose the battery if it is damaged. Refer to *Disposal on page 46*.

1.7 To lift and move the product

To safely move the product from or in the work area the product can be lifted or operated with appDrive.

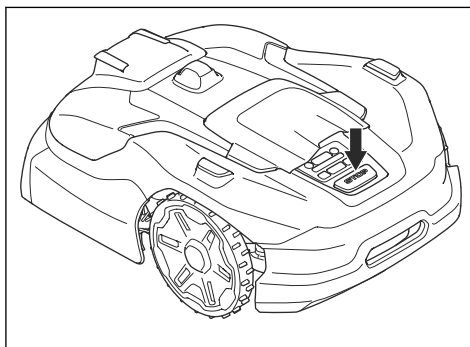


WARNING: The product must be set to OFF before you lift the product.

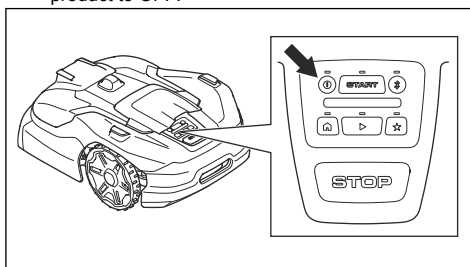


CAUTION: Do not lift the product when it is parked in the charging station. It can cause damage to the charging station and/or the product. Push the **STOP** button and pull the product out of the charging station before you lift it.

1. Push the **STOP** button to stop the product.



2. Push the **ON/OFF** button for 3 seconds to set the product to OFF.



3. Lift the product by the handle with the blade disc away from your body.



1.8 Cyber security

Security recommendations:

- Do not set up or operate the product on untrusted or public networks.
- At regular time intervals, do a check if there are firmware updates available to install to keep the system secure.

1.8.1 Bluetooth® interface

The Bluetooth® interface is enabled by default to help with set up, mobile device connection, local device control and configuration of the product with a mobile device. The Bluetooth® connection uses a PIN code

or password that is different for each product through the app. All device connection are made safe with a standard BLE encryption. Use a strong, unique PIN to increase security.

1.8.2 Cellular interface

The cellular interface enables remote access through the companion app, supports firmware updates, and provides location services. The product uses industry-standard protocols to make cellular connections secure.

1.8.3 Location service

The location service uses GPS to show the product location. This is to enable the geofencing function (theft protection) and to let operators see the product location through the companion app.

1.8.4 External services

These services are available through the network interfaces:

- **Backend Services:** Enables secure management and configuration of the product through authenticated access with the app or web-based portal, as well as telemetry data exchange.
- **Firmware update service:** This service sends new firmware over the air (FOTA) to the product. These updates keep the product security and product functions up to date.
- **Location service:** This service shows the position of the product with GPS. You must enable this service in the app before you can use it.

2 Introduction

Serial number:
Product number:
PIN code:

The serial number and the product number are on the product rating plate and on the product carton.

- Register your product on www.husqvarna.com. Enter the serial number of the product, the product number and the date of purchase to register your product.

2.1 Support

For support about the product, speak to your Husqvarna servicing dealer.

2.2 Product description

Note: Husqvarna regularly updates the appearance and function of the products. Refer to *Support on page 7*.

The product is a robotic lawn mower. The product has a battery power source and cuts grass automatically. It continuously alternates between mowing and charging. The product operates until the battery state of charge is low or until the work area is cut, then the product starts to go to the charging station. The movement pattern of the product can be set to irregular or systematic. The virtual boundary specifies the work area where the product is allowed to operate. The satellite receiver in the product senses when it is approaching the virtual boundary. When the product hits an obstacle or approaches the virtual boundary the product selects a new direction.

2.3 System description

For installation of virtual boundaries with EPOS®, the product uses satellites and correction data to navigate. The correction data can be received through the Husqvarna® Cloud or a reference station. The reference station is an optional accessory that you can use if you cannot connect to the Husqvarna® Cloud.

There are 2 types of reference stations. The EPOS® RS 4G reference station uses cellular communication

to send signals to the product. The maximum distance between the product and the EPOS® RS 4G reference station is 25 km/16 mi. The EPOS® RS5 reference station uses radio communication to send signals to the product. The maximum distance between the product and the EPOS® RS5 reference station is 500 m/1640 ft. The EPOS® RS5 reference station can be used as a repeater. It can connect to other EPOS® RS5 reference stations. This connection increases the coverage area.

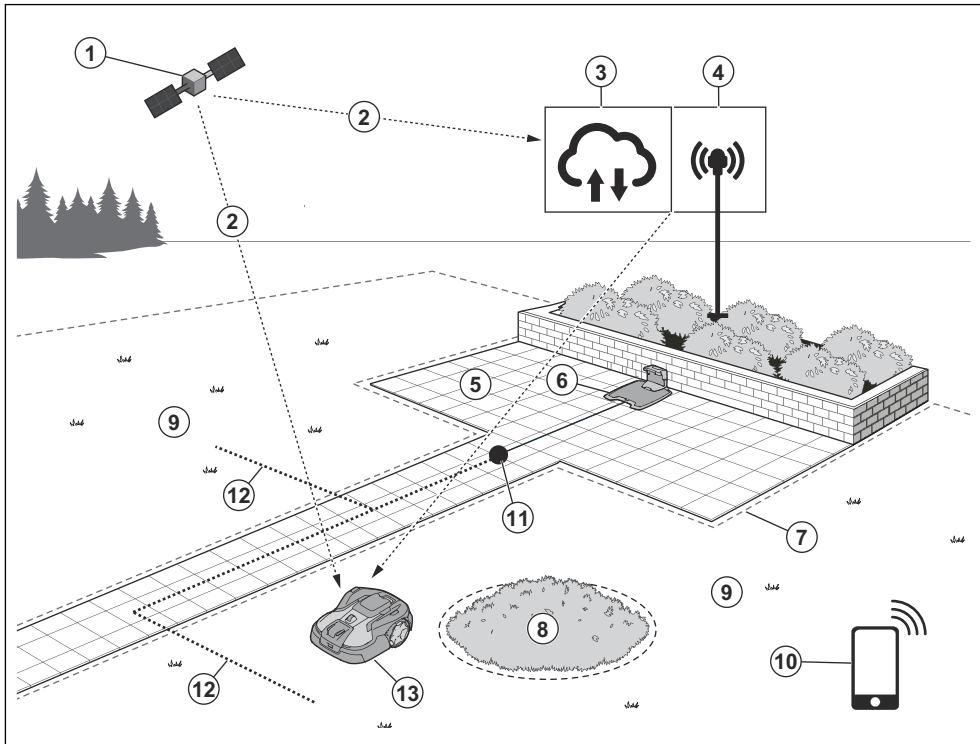
Note: All countries and regions do not support reference stations or correction data through the Husqvarna® Cloud. Speak to your local Husqvarna representative for information.

To make an installation the product is operated with appDrive in the app. Waypoints are added to make a map in the app. Work areas are the areas where the product operates and cuts grass. You can also create stay-out zones where the product cannot enter. In front of the charging station there is a docking point. It is used for the product to navigate to and from the charging station. Transport paths are necessary to navigate between the docking point and the work areas. The product does not cut grass when it operates along a transport path. Refer to *System overview on page 8*.

2.3.1 Connectivity

Husqvarna Fleet Services™ is the digital tool to install, operate and monitor professional robotic mowers. Available on the web on www.husqvarna.com and as a mobile app, with support for Bluetooth® technology and remote control.

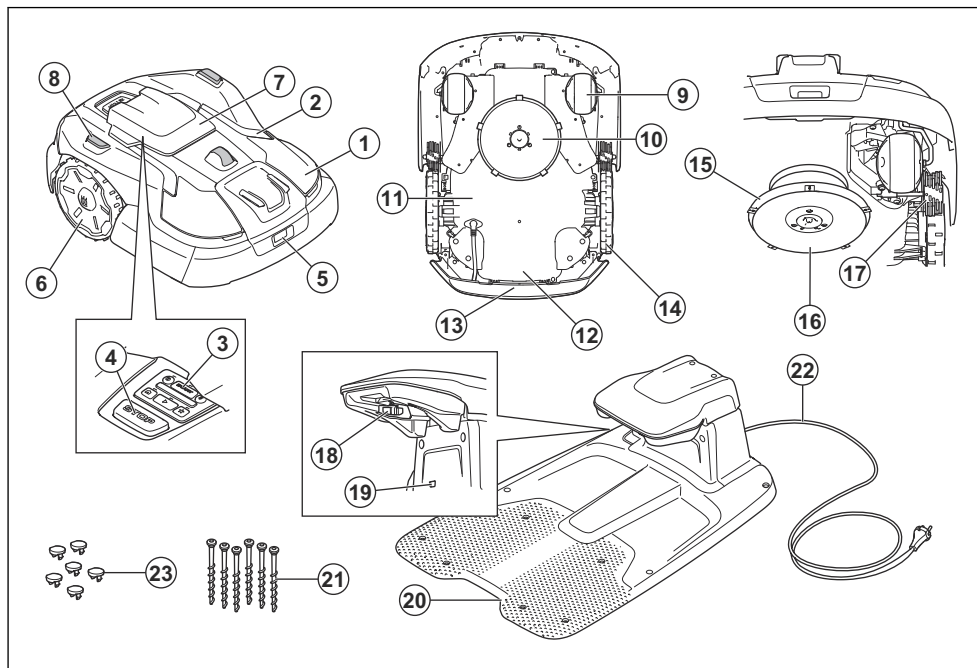
2.4 System overview



1. Satellites
2. Satellite signals
3. Husqvarna® Cloud
4. Reference station¹
5. Correction data
6. Charging station
7. Virtual boundary
8. Stay-out zone
9. Work area
10. Mobile device
11. Docking point
12. Transport path
13. Robotic lawn mower

¹ Optional accessory which is purchased separately.

2.5 Product overview

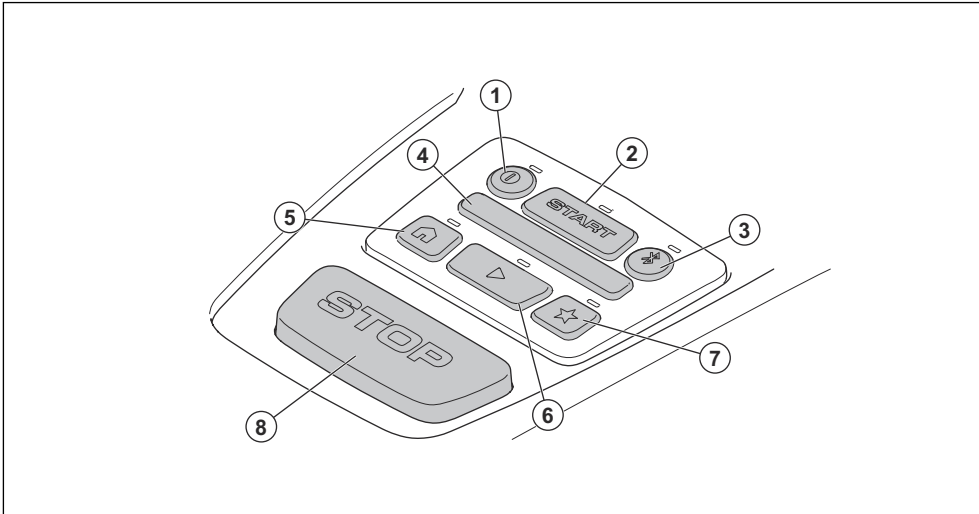


- | | |
|--|---|
| 1. Body | 13. Handle |
| 2. Warning lights | 14. Wheel cleaner ² |
| 3. START button | 15. Blade disc |
| 4. STOP button | 16. Skid plate |
| 5. Radar sensor | 17. Active wheel brushes ³ |
| 6. Rear wheels | 18. Contact plates |
| 7. Keypad cover | 19. LED indicator lamp of the charging station |
| 8. Supports for service position | 20. Charging station |
| 9. Front wheels | 21. Screws to attach the charging station |
| 10. Cutting system | 22. Mains cable |
| 11. Chassis box with electronics, battery and motors | 23. Plugs for the holes in the charging station |
| 12. Rating plate (including product identification code) | |

² Only included for some models.

³ Only included for some models.

2.6 Control panel overview



1. ON/OFF button
2. START button
3. Bluetooth® button
4. LED status bar
5. Park button
6. Play button
7. Maintenance point button
8. STOP button

2.7 LED status bar on the product

The LED status bar on the control panel of the product shows the current product status:

LED status bar	Product status
Green constant light	The product cuts the lawn or moves out of the charging station.
Green chase light	The product is preparing to start its operation.
Green light flashes	The product is in <i>Pause</i> mode.
Red light flashes	The product stopped because of an error.
Orange constant light	The STOP button was pushed.
Orange chase light	The product has stopped, and after 15 minutes the product sets to <i>Paused</i> .
Orange light flashes	Waiting for PIN code.
Blue constant light	The product moves to the charging station or a maintenance point.
Blue light pulsates	The product charges in the charging station.
Blue light flashes	The product is parked in charging station or at the maintenance point.

LED status bar	Product status
Blue chase light	The product is preparing to start to return to the charging station.
White constant light	The product is in appDrive mode.
White chase light	The product sets to OFF.
	Firmware installation is in progress.
White light flashes	New firmware must be installed.

2.8 LED indicators of the buttons

The LED indicators of the buttons on the control panel shows the current button selection status:

LED indicator light	Button selection status
Light is out	You cannot push this button.
Constant white	You can push this button.
Flashes white	You can push this button and you are recommended to push this button.
Flashing blue	Only for the Bluetooth® button. Bluetooth® is enabled and the mobile device can be connected.
Constant blue	Only for the Bluetooth® button. The mobile device is connected with Bluetooth® to the product.
Constant orange	Only for the Bluetooth® button. The product is connected to the maximum number of mobile devices.

2.9 Symbols on the product

These symbols can be found on the product. Make sure that you understand them.



WARNING: Read the operator instructions before you operate the product.



WARNING: Disable the product before maintenance or before you lift the product.



WARNING: Keep a safe distance from the product when it is in operation. Keep your hands and feet away from the rotating blades of the product.



WARNING: Do not sit on the product. Do not put your hands or feet near or below the product.



WARNING: Avoid contact with hot surface.



This product complies with the applicable EU Directives.



It is not permitted to dispose the product as usual domestic waste. Obey national regulations and use the local recycling system.



The chassis contains components which are sensitive to electrostatic discharge (ESD). The chassis must only be opened and sealed by an authorized service technician. The warranty will not be applicable if the seal is broken.

2.10 Symbols on the battery



WARNING: Lithium-ion batteries can explode or cause fire if disassembled, short-circuited or handled roughly. Do not expose to water, fire or high temperature.



Read the user instructions.



Do not discard the battery into fire and do not expose the battery to a heat source.



Do not immerse the battery into water.

2.11 Product damage

We are not responsible for damages to our product if:

- the product is incorrectly repaired.
- the product is repaired with parts that are not from the manufacturer or not approved by the manufacturer.
- the product has an accessory that is not from the manufacturer or not approved by the manufacturer.
- the product is not repaired at an approved service center or by an approved authority.

3 Installation

3.1 Introduction - Installation



WARNING: Read and understand the safety chapter before you install the product.



CAUTION: Use original spare parts and installation material.

Note: Refer to www.husqvarna.com for more information about installation.

3.2 Primary components for installation

The installation includes the components that follow:

- Robotic lawn mower, that cuts the lawn automatically.
- Charging station, that charges the product.
- Reference station⁴, that receives satellite signals and sends correction data to the robotic lawn mower.
- Mobile device with the Husqvarna Fleet Services™ app to do the installation and the settings for the product.

3.3 To prepare for installation



CAUTION: Holes with water in the lawn can cause damage to the product.



CAUTION: Read the installation chapter before you start the installation.

- Make a blueprint of the work area and include all obstacles. This makes it easier to examine where to put the charging station, the reference station, and the virtual boundaries.
- Make a mark on the blueprint where to put the charging station, the reference station, the maintenance point, the transport paths and the virtual boundaries for the work areas and stay-out zones.
- If you have an installation that uses EPOS® through Husqvarna® Cloud, make sure that the product can receive correction data in the complete work area.
- If you have an installation with a reference station, make sure that the product can receive radio

signals from the reference station in all parts of the work area.

Note: The maximum distance decreases if there are objects between the reference station and product.

- Make sure that the work area where the product operates has unimpeded sky view.
 - Fill in holes in the lawn to make it level.
 - Cut the grass before you install the product. Make sure that the grass is maximum 5 cm / 2 in.
-

Note: The first weeks after installation the sound level when the product cuts the grass can be higher than usual. The sound level decreases after some time.

3.3.1 To examine where to put the reference station

Read and understand the instructions about where to put the reference station. Refer to the Operator's manual for the reference station.

3.3.2 To examine where to put the charging station

- Put the charging station near a power outlet.
- Put the charging station on a level surface.
- Make sure that the surface minimum 1 m / 3.3 ft. in front of the charging station is level.
- Make sure that the baseplate of the charging station is level and not bent.

max. 5 cm / 2"

max. 5 cm / 2"



- You can put the charging station inside or outside the work area.
- In areas where the ambient temperature can be more than 30°C / 86 °F, put the charging station in an area with protection from the sun.

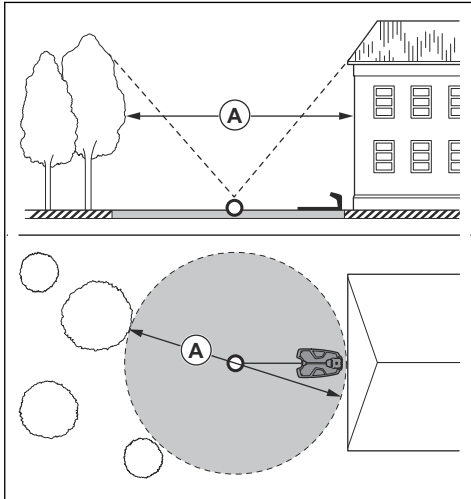
⁴ Optional accessory which is purchased separately.

- If you install 2 charging stations near each other, the minimum distance between the charging stations must be 3 m / 9.8 ft.
- Install the charging station where there are no metal objects in the ground.



CAUTION: Metal objects can cause interference with the charging station signal.

- Husqvarna recommends to have a minimum of 6 m / 19.6 ft. (A) free space in front of the charging station.



- Set the docking point in an area where there is unimpeded sky view to make sure that it has satellite coverage. If the area has no satellite coverage, you can use the optional installation method for dock by wire. Refer to *To install the charging station with dock by wire on page 17.*
- Set the distance to the docking point to 130-220 cm / 51-87 in. in the app.
- If the docking point is not in the work area, install a transport path to the work area.

3.3.3 To examine where to install the objects on the map



CAUTION: If the work area is adjacent to water bodies, slopes, precipices or a public road, the virtual boundary must have a protective wall. The wall must be minimum 15 cm / 6 in. in height.



CAUTION: Do not let the product operate on gravel.



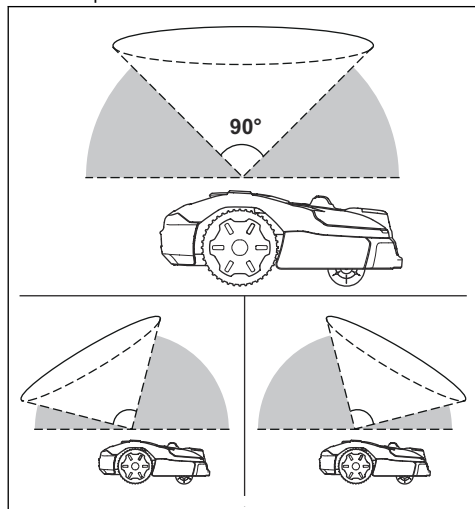
CAUTION: For careful operation without noise, isolate all obstacles such as trees, roots and stones.

- Husqvarna recommends a maximum distance from the charging station to the most remote part of the installation. The maximum distance is 500 m / 1640 ft for Automower® 560/580/580L EPOS® and 300m / 980ft. for Automower® 540 EPOS®

Note: The maximum distance decreases if there are slopes and high grass.

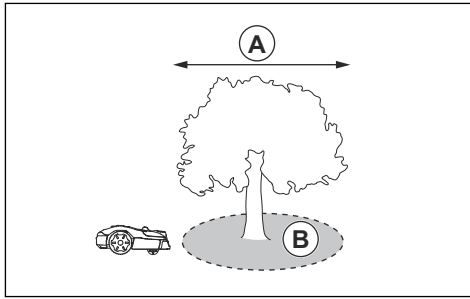
3.3.4 To install map objects near buildings and trees

- Make sure that 90° section of the sky is unimpeded.



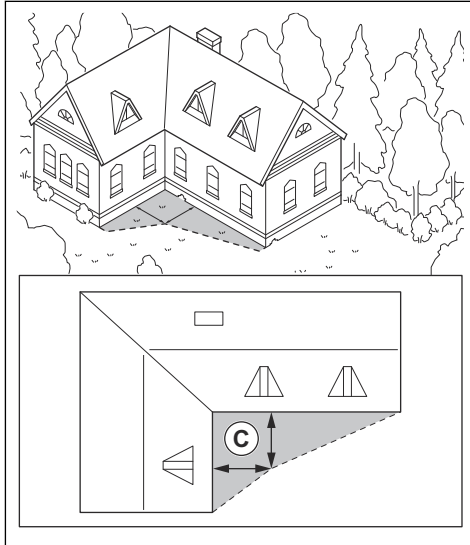
Note: The product cannot receive signals from the satellite for navigation if the sky is impeded.

- Make a stay-out zone (B) around trees or a group of trees with tree canopies that are more than 4 m / 13 ft. in diameter (A).

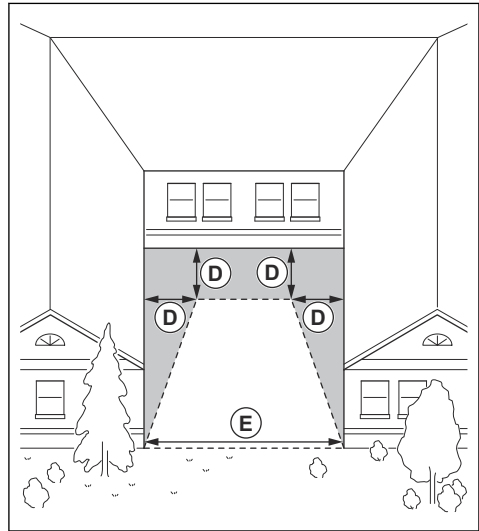


Note: Trees or a group of trees with tree canopies that are more than 4 m / 13 ft. in diameter (A) can cause temporary stops for the product. Smaller trees do usually not cause interference with the operation of the product.

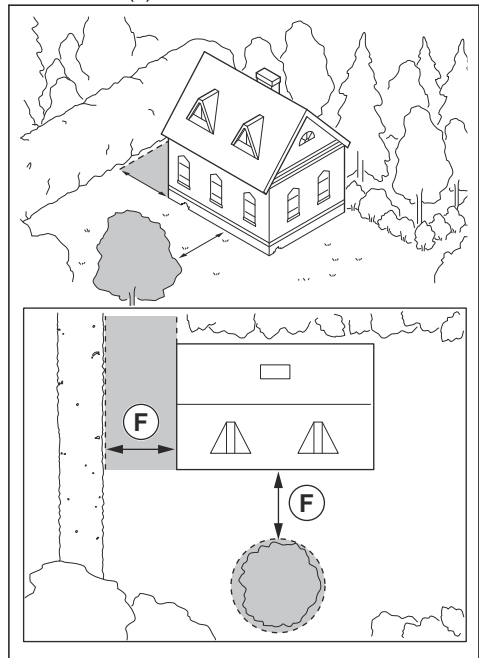
- For L-shaped buildings, install the virtual boundary at a minimum distance (C) of 1.5 m / 5 ft. from it.



- To install virtual boundaries in an area with an U-shaped building, make sure that the distance (E) is minimum 6 m / 20 ft. If the building is higher than 3 m / 10 ft., make sure that the distance (E) is twice the height of the highest building. Install the virtual boundary at a minimum distance (D) of 1.5 m / 5 ft. from the building.



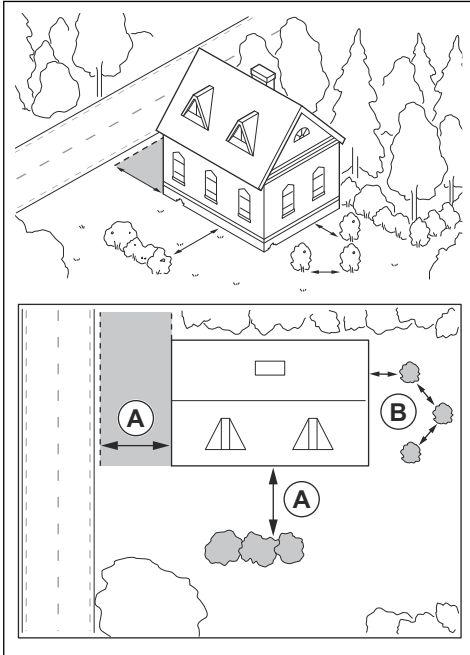
- Make sure that the areas between objects have a distance (F) of minimum 4 m / 13.1 ft.



3.3.5 To examine where to install objects on the map in narrow passages

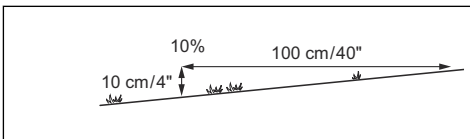
- Make sure that a passage between objects less than 1 m / 3.3 ft. has a minimum width of 2 m / 6.6 ft.

- Make sure that a passage between one object lower than 1 m / 3.3 ft. and one object higher than 1 m / 3.3 ft. has a minimum width (A) of 2 m / 6.6 ft.
- Make sure that the distance between objects (B) lower than 1 m / 3.3 ft. is minimum 1 m / 3.3 ft.



3.3.6 To install the map objects in a slope

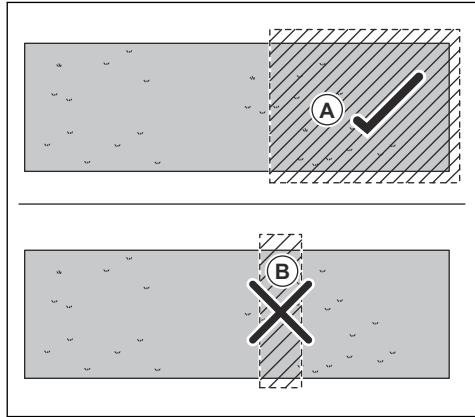
Automower® 540/560 EPOS® can operate in 50% slopes in the work area. Automower® 580/580L EPOS® can operate in 45% slopes in the work area. At the virtual boundaries the maximum slope is 20%. The slope (%) is calculated as height for each m. Example: 10 cm / 100 cm = 10%.



- For slopes more than 45-50% in the work area, isolate the slope with a stay-out zone.
- For slopes adjacent to a public road, put a fence or a protective wall along the outer edge of the slope.
- Husqvarna recommends to set the direction of the systematic pattern straight up the slope to prevent wear on the grass.

3.3.7 To examine where to make stay-out zones

- Make stay-out zones around objects that are larger than 2x2 m / 6.6x6.6 ft.
- Make sure that the stay-out zone is minimum 30x30 cm / 1x1 ft.
- Make sure that the stay-out zone includes the complete area (A) where the product must not enter.



Note: Do not make a stay-out zone (B) across the work area to prevent the product to enter parts of the work area.

3.4 Installation of the product

3.4.1 Installation tools

- Socket wrench, 10 mm.
- Hex key, 8 mm. Included in the carton.

3.4.2 Installation of the charging station

Read and understand the instructions about the charging station. Refer to *To examine where to put the charging station on page 13*.



WARNING: Read and understand the safety instructions for installation. Refer to *To examine where to put the charging station on page 13*.



CAUTION: Do not make new holes in the charging station plate.



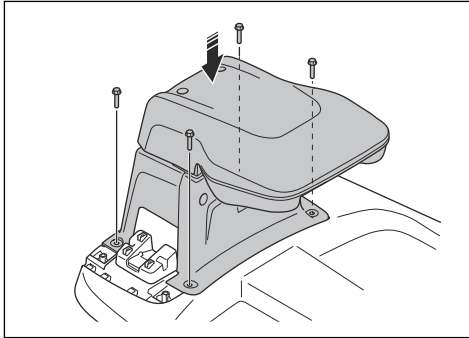
CAUTION: Do not put your feet on the baseplate of the charging station.

3.4.2.1 To install the charging station

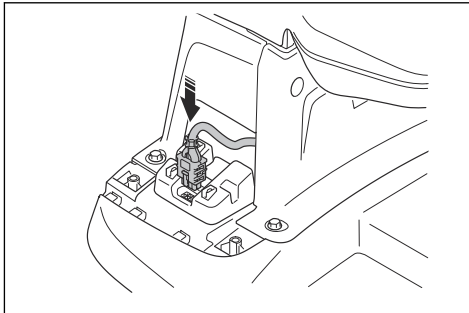
1. Put the charging station baseplate in the selected area.
2. Install 6 screws in the holes in the baseplate to attach the baseplate to the ground. Install the 6 plugs in the remaining holes of the baseplate.

Note: The baseplate has 12 holes. Use 6 holes for screws to attach the baseplate to the ground. Use the other 6 holes to install the plugs.

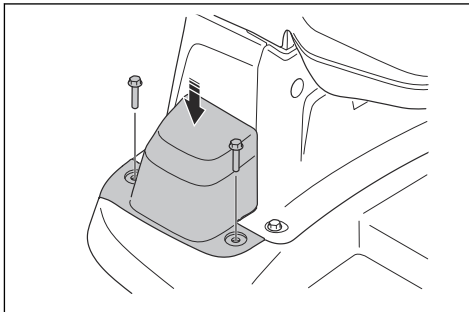
3. Use a 10 mm socket wrench to install the top of the charging station with 4 screws.



4. Connect the cable of the top of the charging station to the charging station baseplate.



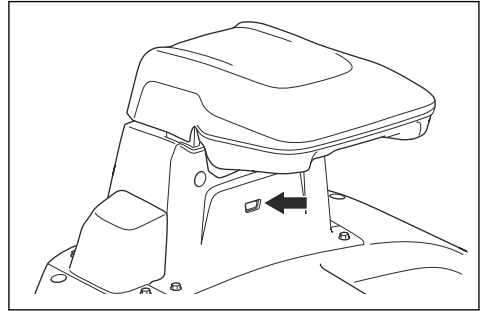
5. Install the cable cover with 2 screws.



6. Connect the mains cable to a 100-240V power outlet.
7. Put the product in the charging station to charge the product. Refer to *To charge the battery on page 28*.

3.4.2.2 To do a visual check of the charging station

1. Make sure that the indicator LED lamp on the charging station has a green light. Refer to *LED indicator lamp on the charging station on page 42* for information about the LED indicator.



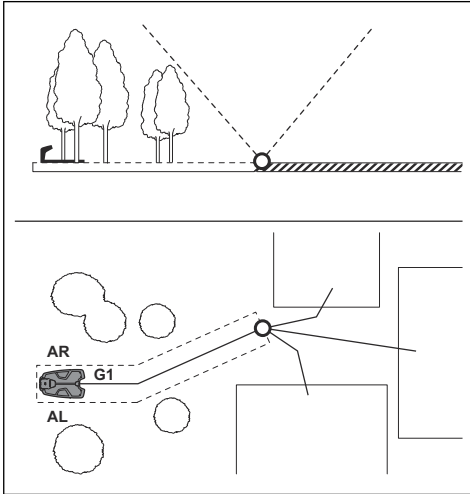
2. If the indicator LED lamp does not have a green light, do a check of the installation. Refer to *To install the charging station on page 17* and *LED indicator lamp on the charging station on page 42*.

3.4.3 To install the charging station with dock by wire

Dock by wire is an optional installation method for the charging station. With this method you install the wires from the charging station to the docking point. Use this method if it is necessary to put the charging station in an area where the satellite coverage is not sufficient. The docking point automatically sets to the point where the guide wire connects to the boundary wire.

- Install a boundary wire around the corridor where the product travels from the charging station to the docking point.
- Make an eyelet with the boundary wire where the guide wire will be connected. Make the eyelet with approximately 20 cm / 8 in. of the boundary wire.
- Install a guide wire in the middle of the corridor for the product to follow and connect it to the boundary wire.
- Make sure that the docking point is in an area where there is unimpeded sky view.
- Make sure that the width of the corridor is sufficient. Husqvarna recommends that the width of the corridor is 2-5 m / 6.6-16.4 ft. The minimum width of the corridor is 1 m / 3.3 ft. If the corridor is near the charging station, make sure that the width of the corridor is 2 m / 6.7 ft.
- Put the guide wire in a straight line for 3 m / 9.8 ft. in front of the charging station.

- Husqvarna recommends that the length for the guide wire in the installation is 10-100 m / 32-328 ft.

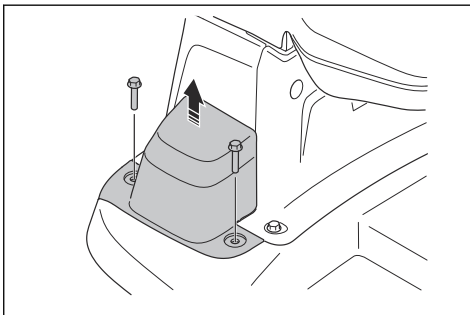


3.4.3.1 To install the boundary wire

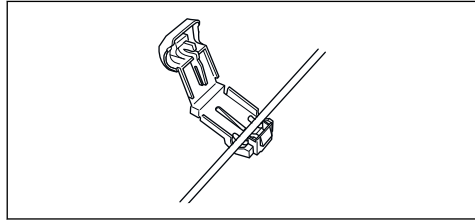


CAUTION: Do not put remaining wire in a coil. The coil causes interference with the product.

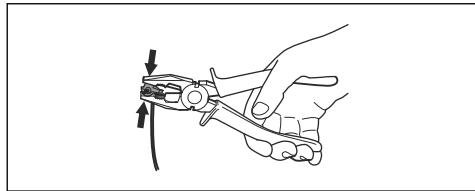
- Put the boundary wire around the corridor between the charging station and the location of the docking point. Start and complete the installation behind the charging station. Refer to *To put the wire or the cable into position with stakes on page 19* and *To bury the wire or the cable on page 19*.
- Remove the cable cover.



- Open the connector and put the boundary wire in the connector.



- Close the connector with a pair of pliers.



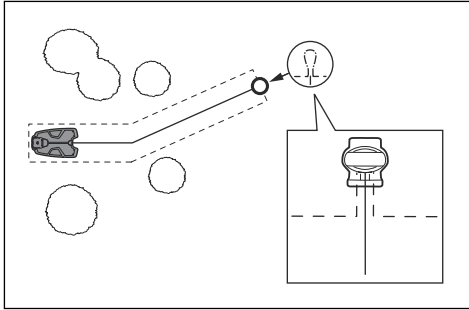
- Cut the boundary wire 1-2 cm / 0.4-0.8 in. above each connector.
- Push the right connector onto the metal pin on the charging station with the mark "AR".
- Push the left connector onto the metal pin on the charging station with the mark "AL".

3.4.3.2 To install the guide wire



CAUTION: Twinned cables, or a screw terminal block that is insulated with insulation tape are not satisfactory splices. Soil moisture will cause the wire to oxidize and after a time result in a broken circuit.

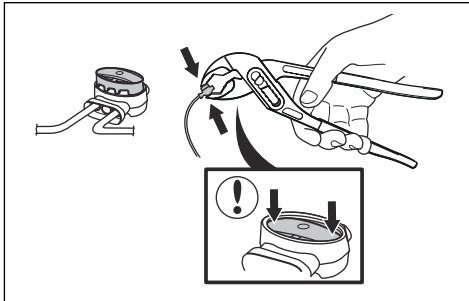
- Open the connector and put the wire in the connector.
- Close the connector with a pair of pliers.
- Cut the guide wire 1-2 cm / 0.4-0.8 in. above each connector.
- Push the connector onto the metal pin on the charging station with the mark "G1".
- Disconnect the charging station from the power outlet.
- Put the end of the guide wire at the eyelet on the boundary wire.
- Cut the boundary wire with a pair of wire cutters.
- Connect the guide wire to the boundary wire with a coupler.



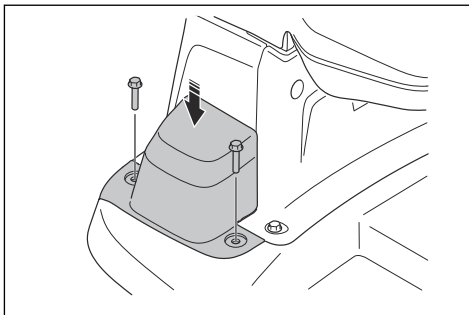
- a) Put the 2 ends of the boundary wire and the end of the guide wire into the coupler.

Note: Make sure that you can see the ends of the wires through the transparent area of the coupler.

- b) Push down the cover on the coupler with adjustable pliers to attach the wires in the coupler.



9. Attach the guide wire to the ground with stakes or bury the guide wire in the ground. Refer to *To put the wire or the cable into position with stakes* on page 19 or *To bury the wire or the cable* on page 19.
10. Install the cable cover with 2 screws.



11. Connect the charging station to the power outlet.

3.4.3.3 To put the wire or the cable into position with stakes



CAUTION: Make sure that the stakes hold the wire or the cable against the ground.



CAUTION: Cutting the grass too low right after installation can damage the wire or the cable insulation. Damage to the insulation may not cause disruptions until several weeks or months later.

1. Put the wire or the cable on the ground.
2. Put the stakes at a maximum of 30 cm / 12 in. distance from each other.
3. Attach the stakes to the ground with a hammer or a plastic mallet.

Note: The wire or the cable is overgrown with grass and not visible after a few weeks.

3.4.3.4 To bury the wire or the cable

- Cut a groove in the ground with an edge cutter or a straight shovel.
- Put the wire or the cable 1-20 cm / 0.4-8 in. into the ground.

3.4.4 Installation of the reference station

Install the reference station according to the instructions in the Operator's manual for the reference station.

3.4.5 To do a pairing operation with the Husqvarna Fleet Services™

1. Download the Husqvarna Fleet Services™ app to your mobile device.
2. Log on to the Husqvarna Fleet Services™ app.
3. Set the product to ON.
4. Start Bluetooth® on your mobile device.
5. Push the Bluetooth® button on the product to enable the Bluetooth®.

Note: Other devices with Bluetooth® enabled can cause interference with the pairing operation. Disable Bluetooth® on the other devices if it causes interference with the pairing operation.

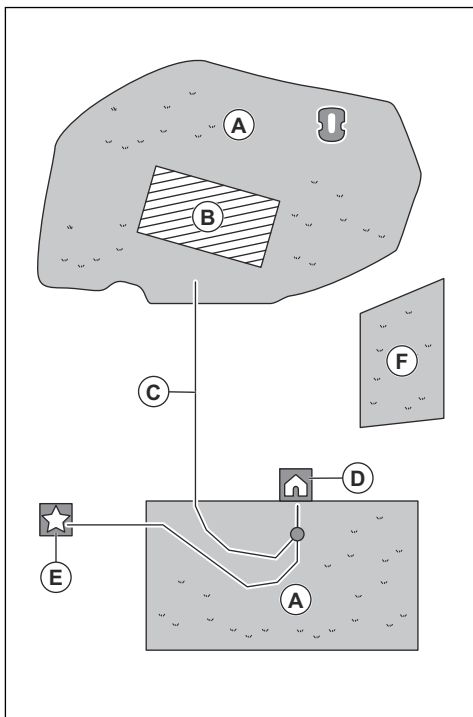
6. Select *Add robotic mower* in the app to add your product and follow the instructions in the app.

3.4.6 Installation of the map objects

Read and understand the instructions about where to install the map objects. Refer to *To examine where to install the objects on the map* on page 14.

On the map you can install the objects that follow in the app:

- *Work areas (A)*
- *Stay-out zones (B)*
- *Transport path (C)*
- *Charging station (D)*
- *Maintenance point (E)*
- *Work area (Secondary area) (F)*



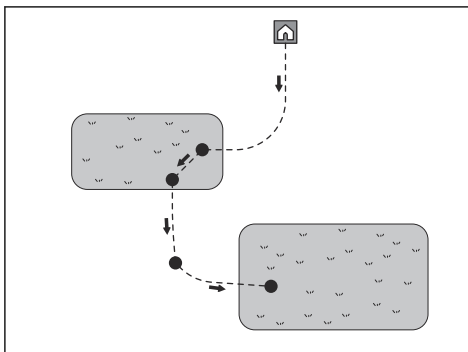
A work area is specified by virtual boundaries. Maximum 20 work areas and secondary areas can be installed on a map. Work areas can temporarily be enabled and disabled in the app.

There are two types of work areas:

- A work area that has a charging station in it or connected to it with a transport path where the product operates automatically.
- A secondary area is a work area with no charging station and no transport path. The product must be moved manually to and from the work area.

A transport path is a specified path between the docking point in front of the charging station and work areas. The product can operate automatically in this path, but does not cut grass. A transport path can temporarily be enabled and disabled in the app. One transport path can be used to guide the product to multiple areas. At

least one waypoint for the transport path needs to be put inside the work area.



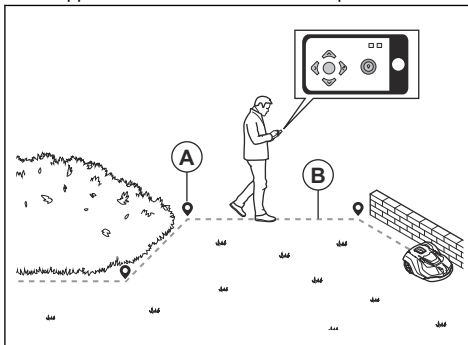
Stay-out zones can be made if there are areas where the product must not operate. A stay-out zone is specified by virtual boundaries. Stay-out zones can temporarily be enabled and disabled in the app.

A maintenance point is a specified position where the product can be parked at. This can for example be used for a service point where maintenance of the product is done. The maintenance point is connected to the docking point with a path.

To install objects on the map, operate the product with the appDrive installation to add waypoints on the map. Refer to *To install objects on the map on page 20*.

3.4.6.1 To install objects on the map

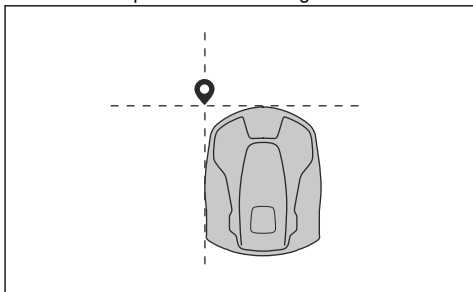
The waypoints (A) are positions that makes the virtual boundaries and paths (B). The lines are straight between the waypoints. It is recommended to use as few waypoints as possible. For each work area and the related stay-out zones and transport path the total maximum number of waypoints are 800. Husqvarna recommends to add maximum 1000 waypoints for the complete installation of the map. To make smooth curves use several waypoints. Husqvarna recommends to set the minimum distance of 30 cm / 1 ft. between the waypoints. You can adjust the positions of the waypoints in the app after the installation of the map.





CAUTION: Do not lift and move the product between the waypoints when you install the map objects. Use appDrive for a correct installation.

Note: The position of the waypoint when you install a work area or a stay-out zone is in the front left corner of the product. The virtual boundaries specifies the area where the product operates. The product does not cut the grass that is adjacent to the virtual boundary because of the position of the cutting disc.



Note: The position of the waypoint when you install a transport path or a path to a maintenance point is in the middle of the product between the drive wheels.



- Make sure that you are near the product and connected to the product with the app with Bluetooth®.
- Select the object you want to install and use the buttons in the appDrive installation to operate the product.

Note: A game controller with Bluetooth® can be used together with appDrive to operate the product.

- Use the joystick to move and rotate the product in any direction.

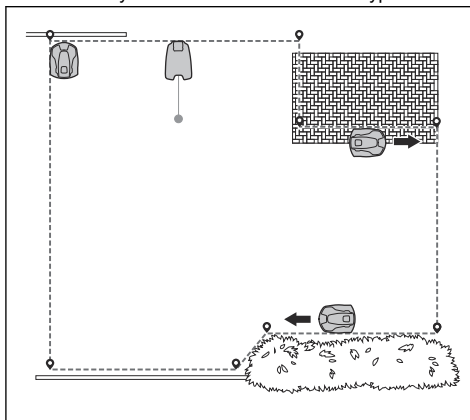
- Use the **waypoint** button to add a waypoint in the map.

Note: Walk 2-3 m / 6.5-9.8 ft. behind the product when you operate the product with appDrive.

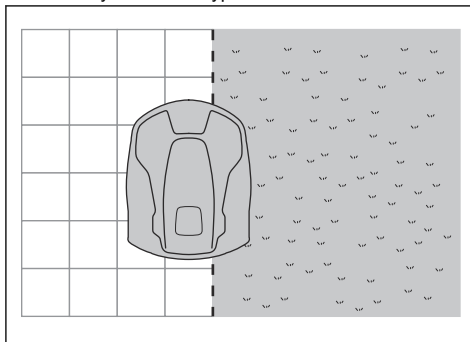
To make a work area

Minimum 3 waypoints are necessary to make a work area.

- Operate the product clockwise around the boundary of the work area and add waypoints.

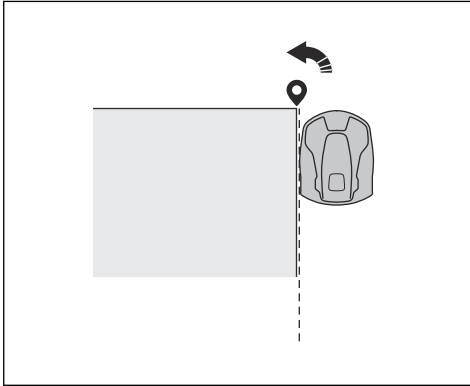


- Add a waypoint to make the product cut the grass at the edge between the lawn and the stone path. Make sure that you straddle the edge of the lawn when you add a waypoint.

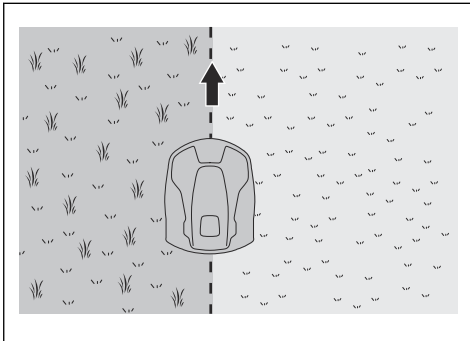


Note: The product can straddle the edge if the height of the stone path is maximum 1 cm / 0.4 in. in relation to the lawn

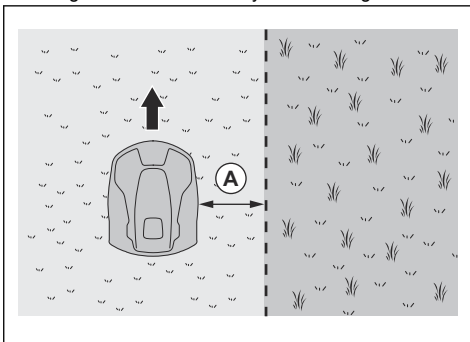
- Add the waypoint at the outer corner to install the virtual boundary around a corner.



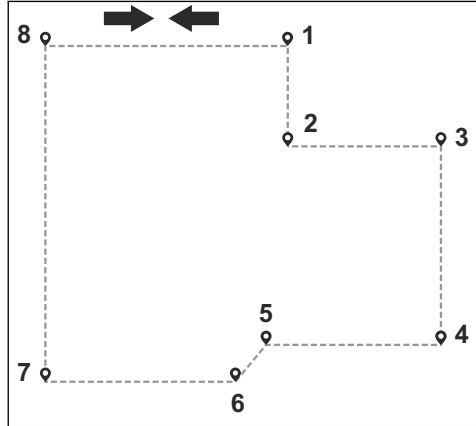
- For installation on golf courses, specify the work area for the fairway. Operate the product in the center of the edge between the fairway and the rough.



- For installation on golf courses, specify the work area for the rough. Operate the product on the fairway. Keep a distance of 30 cm/1 ft. (A) from the edge between the fairway and the rough.



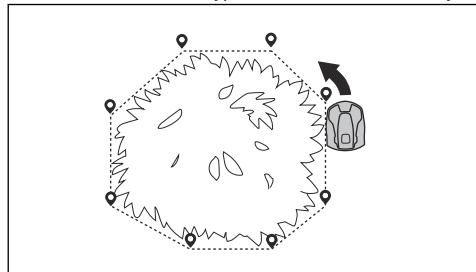
- Do not set waypoints that make a virtual boundary go across itself in the same work area.
- Save the work area to automatically connect the first and last waypoint with a virtual boundary.



To make a stay-out zone

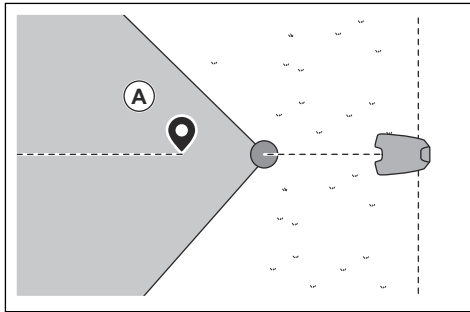
Minimum 3 waypoints are necessary to make a stay-out zone.

- Operate the product counterclockwise around the boundary of the stay-out zone, or select a set shape from the app.
- Do not set waypoints that make a virtual boundary go across itself in the same stay-out zone.
- Save the stay-out zone to automatically connect the first and last waypoint with a virtual boundary.

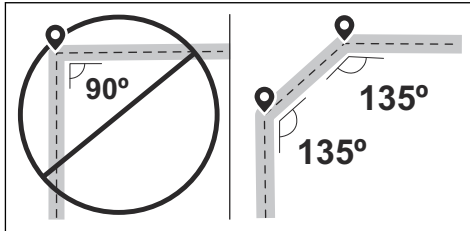


To make a transport path

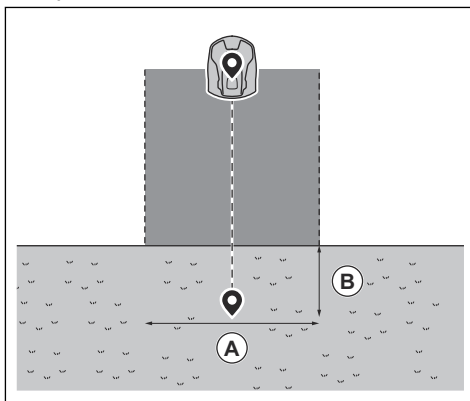
- Operate the product and add waypoints on the map to install a transport path. Start either from the work area or near the charging station.
- Set the first or last waypoint in the work area at a minimum distance of 1 m / 3.3 ft. from the virtual boundary.
- Put the first or last waypoint on a transport path (A) in an angle of +/-45 degrees seen from the docking point.



- Install the transport path perpendicular to the virtual boundary of the work area.
- Do not install a transport path across a stay-out zone.
- Do not set waypoints that make the transport path go across the same transport path.
- Do not make sharp bends when you install the transport path. Husqvarna recommends to add more waypoints to make smoother curves.

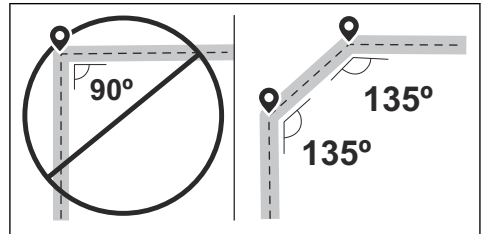


- Operate the product and add waypoints to connect the transport path to the docking point. Put a minimum of one waypoint in each work area to guide the product to the work area.
- Save the transport path to automatically connect the transport path to the docking point.
- Set the corridor width (A) for the transport path. The corridor width can be set to 2-5 m / 6.6-16.4 ft.

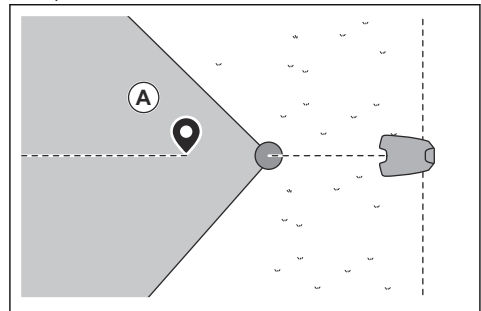


To make a maintenance point

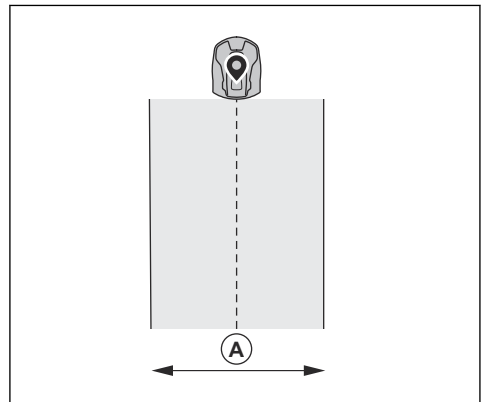
- Operate the product and add waypoints on the map. Start to add waypoints at the position where you install the maintenance point. The first waypoint specifies the maintenance point.
- Do not make sharp bends when you install a transport part. Husqvarna recommends to add more waypoints to make smoother curves.



- Operate the product and add waypoints to make a path to the charging station.
- Put the last waypoint on a transport path (A) in an angle of +/-45 degrees seen from the docking point.



- Save the maintenance point to automatically connect the last waypoint to the docking point.
- Set the corridor width (A) for the maintenance point. The corridor width can be set to 2-5 m / 6.6-16.4 ft.



4 Settings

4.1 Areas



4.1.1 Schedule



In the *Schedule* menu you can change the schedule settings for the product. You can set separate schedule settings for each work area. *Secondary areas* cannot be scheduled. The schedule function controls which hours the product is permitted to operate. When the product does not operate, it is parked in the charging station.

The shape of the work area, number of obstacles and slopes decreases the mowing capacity.

	Systematic mowing	Irregular mowing
Area capacity – sports 24	Mowing every day	Mowing every day
Area capacity – standard 48	Mowing every second day	Mowing every day

The maximum area capacity for the product varies with the type of application and turf quality.

- Area capacity – sports 24: This is the maximum area capacity for sports fields and golf fairways that need to be mowed every day (24 hours). Applicable to well-managed, lush, and dense turfs, as well as turfs mowed at a low cutting height.
- Area capacity – standard 48: This is the maximum area capacity for most turfs, such as facility areas and golf roughs that need to be mowed systematically every second day (48 hours). With irregular pattern, mowing every day is needed. Valid for standard turf quality mowed at medium cutting height.

4.1.1.1 To set the schedule for systematic mowing

- Set the schedule to let the product operate for as long time as possible.

Note: After the product has cut the full work area, it goes back to the charging station. When the next session starts, the product cuts the full work area again.

Note: If the product has not cut the full work area before the session ends, it goes back to the charging station. When the next session starts, the product continues to cut from where it stopped.

- To cut a work area 2 times a day, you can set 2 different schedules. Set the schedule for the product to have sufficient time to cut the complete work area.
- With 2 or more parallel schedules, the product starts to cut where it has not cut for the longest time.
- Make sure that the product completes to cut each work area in less than 24 hours. If the product must cut a work area for more than 24 hours, divide the work area into smaller work areas.

4.1.1.2 To set the schedule for irregular mowing

The product operates the complete scheduled time with irregular mowing.

- Decrease the scheduled time to prevent wear on the grass.
- If the cutting result is not satisfactory, increase the scheduled time. Refer to *Schedule on page 24*.
- With 2 or more parallel schedules in different work areas, the product first starts to cut 1 work area. After each charging of the product, the product starts to cut another work area.

4.1.2 Cutting height



For Automower 540/560/580 EPOS®, the cutting height can be set to 20-60 mm / 0.8-2.4 in. For Automower 580L EPOS®, the cutting height can be set to 10-50 mm / 0.4-2.0 in.

4.1.3 Pattern



The settings for the pattern is set for each work area. You can do these settings:

- Set the pattern for how the product operates.
- For some patterns you can set the direction of the pattern.
- For some patterns you can set the type of the *Border mowing*. With *Fixed border mowing* the product always operates in the same paths to

keep a sharp border around the work area. With *Variable border mowing*, the product operates in different paths to decrease the risk of track marks along the virtual boundary.

Husqvarna recommends to use systematic pattern on large and open work areas. If you use systematic pattern on a work area with obstacles, make stay-out zones around obstacles and use a pattern with many directions for the best possible cutting result.

Husqvarna recommends to use irregular pattern if the work area is complex and has many obstacles.

4.2 Configuration



4.2.1 General settings

4.2.1.1 ECO mode

The charging station signal automatically disables when the product is in the charging station. It is not necessary to use *ECO mode* to disable the charging station signal. This prevents interference with other equipment, for example hearing loops. Husqvarna recommends to keep *ECO mode* disabled. *ECO mode* saves energy, but can have a unsatisfactory effect on the operation of the product.

4.2.1.2 Warning lights

There are 4 different settings that control when the warning lights are on:

- *Always on*
- *Evening only (19:00-00:00)*
- *Evening and night (19:00-07:00)*
- *Always off*

The warning light can be set to *Solid white light*, *Solid amber light* or *Strobe amber light*. The warning lights can also be set to flash if there is an error.

Note: Husqvarna recommends to use the warning lights especially at night time.

4.2.2 Security settings

4.2.2.1 Alarm duration

There is a possibility to set how long the alarm signal should last. A setting between 1 and 10 minutes is possible.

4.2.2.2 STOP button pressed

If the alarm "*STOP button pressed*" is enabled, the alarm goes off if someone presses the **STOP** button and the PIN code is not entered within 30 seconds.

4.2.2.3 Carried away

If the alarm *Carried away* is enabled, the product senses unexpected motions, and the alarm goes off.

4.2.2.4 GeoFence

GeoFence is a GPS-based theft protection that makes a virtual fence for the product. If the product is more than a set distance away from the center position the product will be disabled and an alarm will start. The center position sets to the current position of the product when GeoFence is enabled. The PIN code is necessary to stop the alarm and to start the product again. The GeoFence is only enabled when the product is set to ON.

4.2.3 Installation settings

4.2.3.1 New loop signal

The loop signal is randomly selected to create a unique link between the product and the charging station. In rare cases, there may be a need to generate a new signal, for instance if 2 adjacent installations have a very similar signal.

4.3 Bluetooth® menu

The Bluetooth® menu is only accessible in the app version of Husqvarna Fleet Services™. For safety and security reasons, some menus are only available with Bluetooth® connection.

To connect to the product with Bluetooth®, you must be within Bluetooth® range of the product, approximately 30 m / 100 ft. Push the Bluetooth® icon in the app to connect with Bluetooth®.

4.3.1 Security settings

4.3.1.1 Change PIN code

You can change the PIN code. Make a note of the new PIN code in Memo. Refer to *Introduction on page 7*.

4.3.2 General

4.3.2.1 Time & date

The time and date can be changed manually, or by using the time and date from the mobile device.

4.4 Error log

In this menu the previous fault messages can be found. There are also tips and advice to help to rectify the fault. If the same message is repeated several times, this may indicate that an adjustment to the installation or the product is required.

4.5 Download firmware over the air (Firmware over the air FOTA)

The product has a function that automatically downloads new firmware. When a new firmware is available, a notification shows in the app where you can select

to install the new firmware. In the factory setting this function is enabled. Husqvarna recommends you to update the firmware when new firmware is available.

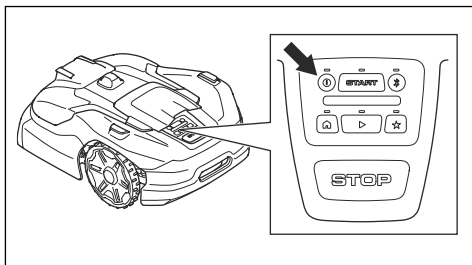
5 Operation

5.1 To set the product to ON



WARNING: Read and understand the safety chapter before you use the product.

1. Push the **ON/OFF** button for 3 seconds to set the product to ON. Make sure that the LED indicator comes on.



2. Open the app on your mobile device.
3. Select the product > **Bluetooth®** to get access to the Bluetooth® menu.
4. Enter the PIN code.

5.2 Operate according to schedule

The product operates to the set schedule in the work area where it cuts the grass and charges automatically.

5.2.1 To select scheduled operation in the app

1. Open the app on your mobile device.
2. Select *Start > Resume Schedule*.

5.2.2 To select scheduled operation in the control panel

1. Push the **STOP** button.
2. Push the **Play** button.
3. Push the **START** button.

5.3 Mow a selected work area or override schedule

You can select to mow a specified work area in the app. For work areas with irregular pattern you can set for how long the product operates. For work areas with systematic pattern, the products mows the full work area one time and then park.

5.3.1 To select the work area in the app

1. Open the app on your mobile device.

2. Select *Start*.
3. Select the work area.

5.3.1.1 To mow a work area without a transport path

If the product cannot go to the work area from the docking point or by a transport path, follow these steps:

1. Use appDrive or lift and manually move the product to the work area.
2. In the app, select *Start* and select the work area where you put the product.

5.4 Park

The operation mode *Park* means that the product goes back to the charging station. The product stays in the charging station for a selected period of time or until you select a new operation mode.

5.4.1 To select Park in the app

1. Open the app on your mobile device.
2. Select *Park*.
3. Select for how long the product must stay in the charging station.

5.4.2 To select Park on the control panel

1. Push the **STOP** button.
2. Push the **Park** button.
3. Push the **START** button.

The product stays in the charging station for 3 hours and then it continues to operate to the set schedule.

5.5 Park at Maintenance point

You can park the product at the maintenance point to do maintenance on the product.

5.5.1 To park the product at the maintenance point with the app

1. Open the app on your mobile device.
2. Select *Park > Maintenance point*.

The product is parked at the maintenance point until you select a new operation mode.

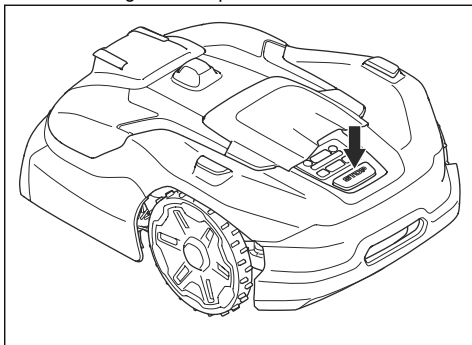
5.5.2 To park the product at the maintenance point with the control panel

1. Push the **STOP** button.
2. Push the **Maintenance point** button.
3. Push the **START** button.

The product is parked at the maintenance point until you select a new operation mode.

5.6 To stop the product

1. Push the **STOP** button to make the product and the cutting motor stop.



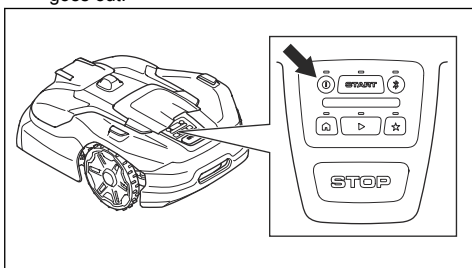
2. Make sure that the charging is in progress in the app or that the LED indicator pulsates blue.

5.7 To set the product to OFF

1. Push the **STOP** button on top of the product.
2. Connect the product with Bluetooth® short-range in the app.
3. Enter the PIN code in the app.

Note: The product cannot be set to OFF if it is not connected to the app with Bluetooth®.

4. Push the **ON/OFF** button for 3 seconds to set the product to OFF. Make sure that the LED indicator goes out.



5.8 To charge the battery



WARNING: Read and understand the safety instructions for the battery before you use the product. Refer to *Battery safety* on page 5.

When the product is new or after long-term storage, the battery can be empty. If the battery is fully empty, the product charges very slowly. The product can charge for many hours before you can set the product on.

1. Put the product into the charging station until the product is fully entered into the charging station.

6 Maintenance

6.1 Introduction - maintenance



WARNING: Set the product to OFF before you do maintenance on the product.



WARNING: Use protective gloves.

For better operation and lifetime of the product, make sure to clean the product regularly and replace worn parts.

When the product is new, examine the blade discs and blades each week. If the wear is low, you can increase the interval for the next time you examine the blade discs and blades. Examine the blade discs and the blades more regularly if there is much wear.

It is important that the blade disc rotates easily and that the edges of the blades are not damaged. The usual lifetime of the blades are 2 to 5 weeks. The conditions that follow can increase or decrease the lifetime of the blades:

- Operation time and dimension of the work area.
- Length and thickness of the grass.
- Soil, sand and use of fertilizers.
- Objects such as cones, tools, stones and roots in the work area.

Note: The cutting result can be unsatisfactory if the blades are blunt. Refer to *Replacement of the blades on page 32* on how to replace the blades.

6.2 Maintenance schedule

The maintenance schedule shows how to do servicing and maintenance on the product. Follow the maintenance schedule for a better operation and to increase the lifetime of the product.

X = The instructions are given in this operator's manual.

O = The instructions are not given in this operator's manual. Speak to your approved servicing dealer.

	Weekly	Monthly	Every year	Every third year
To prepare				
Clean the product. Refer to <i>Clean the product on page 30</i> .	X			
Examine the product for damage and wear.	X			
Do an update of the firmware.			O	
Do a check of the servicing messages for recommended upgrades.			O	
Servicing				
Examine the blades and replace the blades and blade screws if it is necessary. Refer to <i>Replacement of the blades on page 32</i> .	X			
Examine and polish the contact plates on the charging station.			X	
Examine and polish the charging plates on the product.			X	
Charge the battery fully before you put the product into storage. Refer to <i>To charge the battery on page 28</i> .			X	
Examine and clean the airflow filter.		X		
Examine the wheels for wear.			O	
Examine the wheel brushes and replace them when they are worn.		X		

	Weekly	Monthly	Every year	Every third year
Examine and clean the collision columns. Do a check of the tightening torque on the front and rear collision columns.			○	
Make sure that the product is docking and charging correctly.			○	
Examine the cable and connector to the charging plates on the body of the product.			○	
Examine the rubber grommets on the chassis to make sure that it is sealed correctly.			○	
Examine the skid plate and skid plate bearing.			○	
Examine the rubber bellows in the cutting height adjustment system.			○	
Examine the rubber bellows for the collision columns.			○	
Replace the rubber bellows for the collision columns.				○
Replace the airflow filter.				○
Do a check of the tightening torque of chassis screws.			○	
Open the chassis and replace all sealing strips.				○
Last step				
Use a software service tool to do a function test of the functions of the product.			○	

6.3 Clean the product

Husqvarna recommends to use a special cleaning and maintenance kit, available as an accessory. Speak to your Husqvarna representative for more information.



CAUTION: Do not use a high-pressure washer to clean the product and the charging station. Do not use solvents for cleaning.

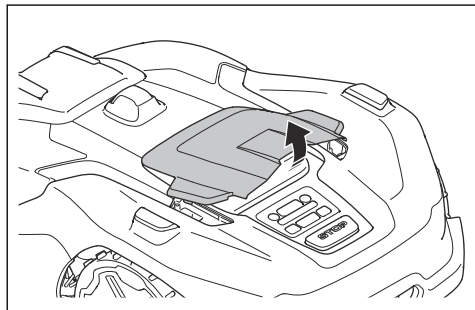
6.3.1 To clean the body, chassis and blade disc



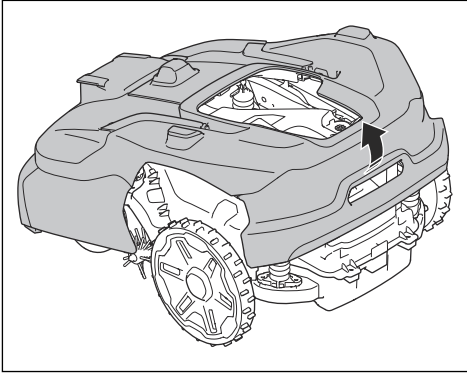
CAUTION: Make sure that the cutting disc is installed on the product before you clean the product with water.

Examine the blade disc and blades weekly. To clean the product fully, the keypad cover and the body of the product can be removed. If the product is dirty, use a weak soap solution if it is necessary. Use a brush or a water hose to clean the product.

1. Set the product to OFF.
2. Carefully pull the keypad cover to remove it.

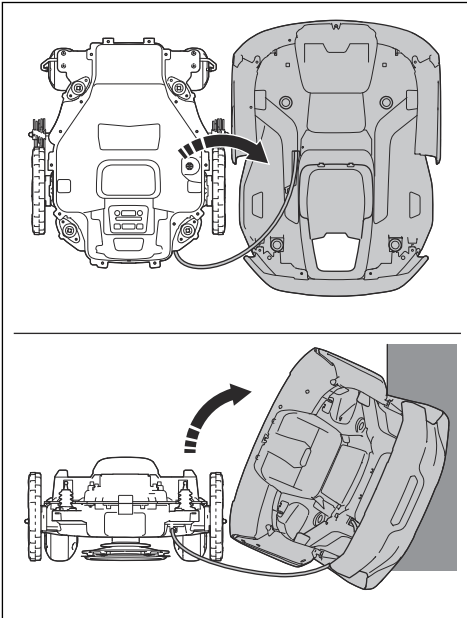


3. Hold the chassis with one hand and remove the body with a fast and short pull upwards and towards the front of the product.

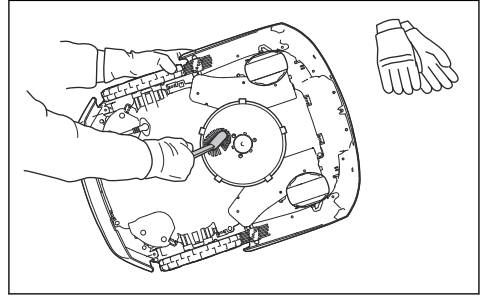


WARNING: If your hands come between the body of the product and the chassis, there is a risk of injury.

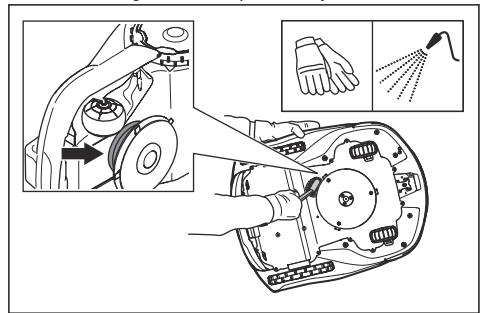
- Put the body of the product adjacent to the chassis of the product or tilt it against a wall.



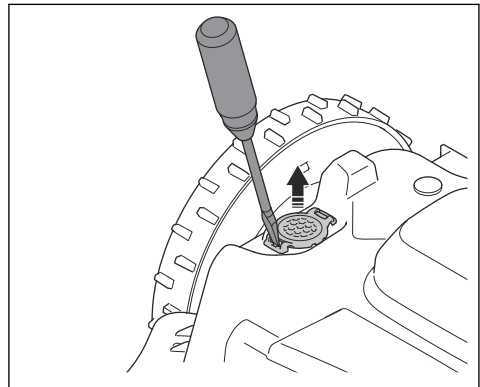
- Put the product onto its side.



- Clean the blade disc bellow and chassis with a brush. At the same time, make sure that the blade disc rotates freely. Make sure that the blades are not damaged and can pivot freely.



- Remove the cover for the ventilation filter and clean with a soft brush.



6.3.2 To clean the chassis

- Clean the bottom of the chassis with a brush or a moist cloth.

6.3.3 To clean the wheels

The product does not operate satisfactorily in slopes if the wheels are blocked with grass.

- Use a soft brush to clean the wheels.

6.3.4 To clean the body of the product

- Use a moist cloth and a weak soap solution to clean the body of the product.

6.3.5 To clean the charging station



WARNING: Disconnect the mains cable from the power outlet before maintenance, or when you clean the charging station.



CAUTION: Do not use a high-pressure washer or running water to clean the charging station.

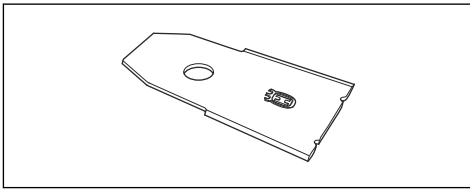
Note: The product cannot enter the charging station if there are objects in the charging station. Clean the charging station regularly.

- Remove grass, twigs and other objects from the charging station.

6.4 Replacement of the blades



WARNING: Husqvarna can only guarantee safety if you use Husqvarna original blades with the embossed crowned H-mark logotype.



WARNING: You must replace the screws when you replace the blades. The used screws can wear quickly and make the blade come loose, this can cause serious injury.



WARNING: Use protective gloves.

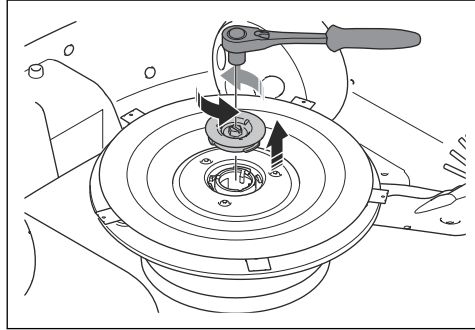
Replace worn or damaged blades for a safe operation. Replace the blades regularly for a satisfactory cut result and a low energy use. All 3 blades and screws must be replaced at the same time to get a balanced cutting system.

6.4.1 To replace the blade discs

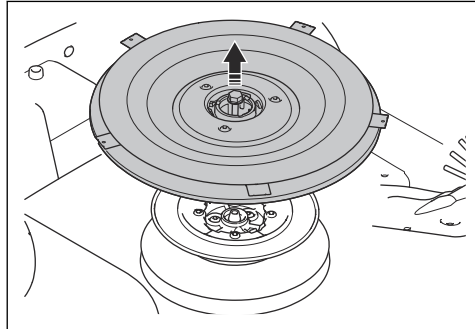


WARNING: Use protective gloves.

1. Push the **STOP** button.
2. Set the product to **OFF**.
3. Put the product with the blade disc up.
4. Remove the coupling on the blade disc with a 10 mm socket wrench.



5. Loosen the screw with a 10 mm socket wrench.



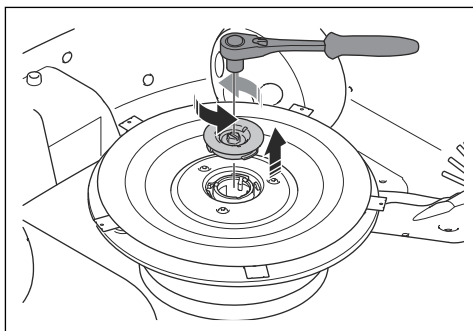
6. Remove the blade disc.
7. Clean the shaft and hub if it is dirty.
8. Install the blade disc in opposite sequence.

6.4.2 To replace the blades on the blade disc

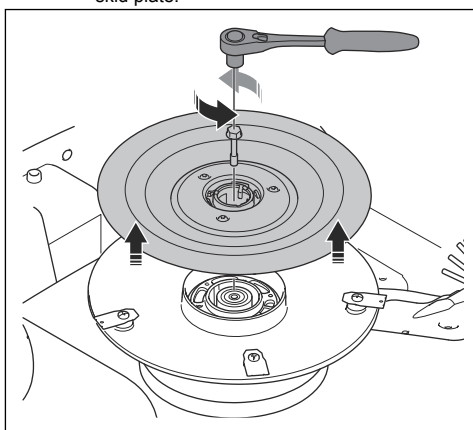


WARNING: Use protective gloves.

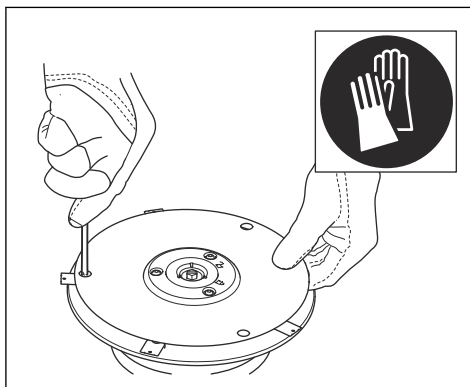
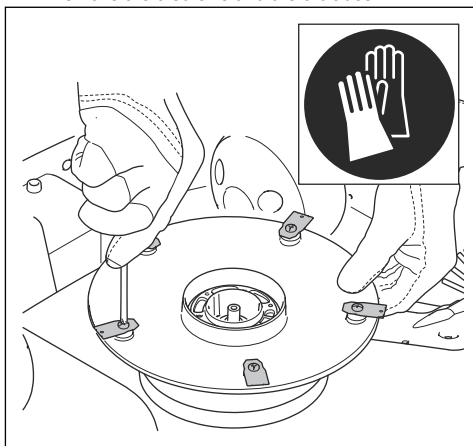
1. If there are no holes in the skid plate, remove the skid plate:
 - a) Remove the coupling on the blade disc with a 10 mm socket wrench.



- b) Lift up the skid plate and remove the screw with a 10 mm socket wrench. Remove the skid plate.



2. Remove the 5 screws and the 5 blades.



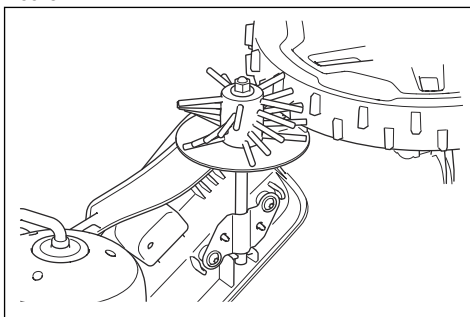
3. Install 5 new blades and screws.
4. If the skid plate was removed, install the skid plate and the screw.

Note: Tightening torque 6 Nm.

5. Make sure that the blades can pivot freely.

6.5 Replace the wheel brushes

The wheel brushes are installed from the factory for some models, but are available as accessory for all models. The wheel brushes on the product removes grass from the wheels of the product. Husqvarna recommends to replace the wheel brushes each 5-10 weeks.



6.6 Battery



CAUTION: Charge the battery fully before you put the product into storage. If the battery is not fully charged it can cause damage to the battery.



CAUTION: The battery must be replaced by an authorized service technician.

If the operating time of the product is shorter than usual between charges, this means that the battery is at the end of its life cycle. Replace the battery to extend the operating time.

Note: The battery life is related to the length of the season and how many hours a day the product operates. A long season or many hours of operation a day means that the battery must be replaced more regularly.

6.7 Winter service

Take your product to your Husqvarna central service for service prior to winter storage. Regular winter service will maintain the product in good condition and create the best conditions for a new season without any disruptions.

Service usually includes the following:

- Thorough cleaning of the body, the chassis, the blade disc and all other moving parts.
- Testing of the product's function and components.
- Checking and, if required, replacing wear items such as blades and bearings.
- Testing the product's battery capacity as well as a recommendation to replace battery if necessary.
- If new firmware is available, the product is updated.

7 Troubleshooting

7.1 Introduction - troubleshooting

In this chapter, a number of messages are listed which may be shown in Husqvarna Fleet Services™ if there is a malfunction. There is a proposal action to the cause and steps to take for each message. This chapter also presents some symptoms that can guide you if the product does not work as expected. More suggestions for steps to take in the event of malfunction or symptoms can be found on www.husqvarna.com.

7.1.1 Messages

The messages in the table below are shown in the app. Speak to your Husqvarna representative if the same message shows frequently.

Message	Cause	Action
<i>Cutting system blocked</i>	The blade disc is blocked by grass or other objects.	Examine the blade disc and remove the grass or other object.
	The blade disc is in water.	Move the product and prevent the collection of water in the work area.
	The grass is high and thick.	Adjust the cutting height to the height of the grass.
Adjust the schedule settings to increase the operation time.		
<i>Unexpected cutting height adj</i>	The cutting height adjustment cannot move.	Examine the cutting height adjustment and remove grass or other objects. If the problem stays, speak to your approved servicing dealer.
<i>Limited cutting height range</i>		
<i>Cutting height problem</i>		
<i>Cutting height blocked</i>		
<i>Cutting system major imbalance</i>	The product senses vibrations in the blade disc.	Examine the blades and screws for damages and wear. Make sure that all blades are correctly installed and that there is only one blade attached in each position on the blade disc.
<i>Cutting system imbalance</i>		
<i>High temperature in cutting motor, center</i>	The product has operated in too high temperature, too high or thick grass, or in too steep slopes.	Put the product in an area with protection from the sun and wait. Put the product on a level surface with short grass and start the product. If the problem stays, speak to your authorized service center.
<i>High internal temperature</i>		
<i>Upside down</i>	The product tilts or is with the top down.	Put the product in the correct position.
<i>Mower tilted</i>	The product tilts more than the maximum angle.	Move the product to an area that has level ground.
<i>Lifted</i>	The lift sensor was enabled because the product was lifted.	Move the product. If the problem stays, speak to your approved servicing dealer.
<i>Trapped</i>	The product is behind a number of obstacles in a small area.	Examine the area and remove the obstacles which make it hard for the product to move away from this location.

Message	Cause	Action
<i>Slipped</i>	The product has hit an obstacle and stopped or the wheels cannot move on the wet grass.	Move the product and correct the cause of problem. If it is because of wet grass, wait until the lawn is dry before you use the product.
	The work area includes a steep slope.	Make a stay-out zone to exclude the steep area from the work area.
<i>Collision</i>	The body of the product cannot move freely around its chassis.	Remove dirt or object between the chassis and the body of the product. Make sure that the body of the product can move freely around its chassis.
	The product cannot move forward or rearward.	Remove the object that prevents the product from operation.
<i>Slope too steep</i>	The product stopped because the slope is too steep.	Change the installation and exclude this steep part of the work area.
<i>Alarm! Mower stopped</i>	The alarm was started because the product was stopped.	Enter the PIN code to disable the alarm.
<i>Alarm! Mower outside Geo-fence</i>	Alarm was started because the product was moved out of the GeoFence area.	
<i>Alarm! Mower was moved</i>	The alarm was started because the product was moved.	
<i>Radar problem</i>	The product will continue to operate, but with reduced speed.	Clean the window for the radar. Restart the product. If the problem stays, speak to your approved servicing dealer.
<i>Wheel drive problem, right/left</i>	The wheel is blocked by grass or other objects.	Examine the drive wheel and remove grass or other objects.
<i>Wheel motor overloaded, right/left</i>	Grass or other objects is wound around the drive wheel.	Examine the drive wheel and remove grass or other objects.
<i>Wheel motor blocked right/left</i>	The wheel is blocked by grass or other objects.	Examine the wheel and remove grass or other objects.

Message	Cause	Action
<i>Outside work area</i>	The work area slopes too much by the virtual boundary.	Make sure that the virtual boundary is installed correctly. Refer to <i>To install objects on the map on page 20</i> .
	The transport path or the path to the maintenance point slopes too much.	Make sure that the transport path is installed correctly. Refer to <i>To make a transport path on page 22</i> .
	The product can not find the correct charging station signal because of interference with a loop signal from a different product installation nearby.	Put the product in the charging station and make a new loop signal. Refer to <i>New loop signal on page 25</i> .
	Interference from metal objects such as fences, reinforcement steel or buried cables near the charging station.	Change the position of the charging station.
<i>Map problem</i>	There is no specified work area.	Make a work area in the app. Refer to <i>To make a work area on page 21</i> .
	The map object file is incorrect.	Do a check of the map in the app. Adjust the map and save it.
		Delete the map and do a new installation.
<i>Work area tampered</i>	Temporary electronic or firmware problem.	Restart the product. If the problem stays, speak to your approved servicing dealer.
	The charging station has been moved.	Move the charging station to its original position or reinstall the charging station in the app to set its new position.
	The reference station has been moved.	Move the reference station to its original position or reinstall the reference station in the app to set its new position. If the reference station is moved to a new position, you have to make a factory reset and redo the installation with all maps.
<i>Too many waypoints</i>	There are too many waypoints in the current work area.	Divide the current work area into several work areas or redo the current work areas, stay-out zones and transport paths and use less waypoints.
<i>Destination blocked</i>	The way to the destination is blocked by an obstacle.	Remove the obstacle that blocks the way to the destination.
	The way to the destination is blocked by a stay-out zone.	Edit or remove the stay-out zone or make a new installation of the work area.
	There is no transport path to the work area.	Make a transport path to the work area.

Message	Cause	Action
<i>Destination not reachable</i>	The product cannot reach the destination because there is a stay-out blocking the way to the work area.	Edit or remove the stay-out zone or make a new installation of the work area.
	There is no transport path to the work area.	Create a transport path to the work area.
	The way back to the charging station is blocked by an obstacle.	Remove the obstacle.
	The way to the maintenance point is blocked by an obstacle.	
<i>Searching for satellites</i>	Weak satellite signal to the reference station.	The satellite signal is temporary weak. The product will start to operate when the satellite signals are good.
		Examine the installation of the reference station. Refer to the Operator's manual for the Reference station.
	Weak satellite signal to the product.	The satellite signal is temporary weak. The product will start to operate when the satellite signal are good.
		Examine if there is an object between the product and the sky that cause interference with the satellite signal. Remove the object or do a new installation to not include these parts in the work area. Refer to <i>To install objects on the map on page 20</i>
<i>Reference station communication problem</i>	The product is not connected to the reference station.	Do a pairing operation between the product and the reference station.
	The reference station is not installed correctly.	Examine the installation of the reference station. Refer to the Operator's manual for the Reference station.
	The product does not receive the radio signal from the reference station in all areas where the product operates.	Test if the product has radio signal from the reference station in all of the work area. If not, make a new installation of the reference station or a new installation of the map. Refer to <i>To install objects on the map on page 20</i> .
	Power failure.	Examine and correct the cause for the power failure of the reference station.
	There is an error in the reference station and the LED indicator flashes red.	Disconnect the power to the reference station and connect it again to restart the reference station. If the problem stays, speak to your approved servicing dealer.
	There is interference with another reference station or other radio systems in the area.	Restart the product. If the problem stays, speak to your approved servicing dealer.

Message	Cause	Action
<i>Accessory power problem</i>	There is a power problem with the accessory port.	Set the product to off and disconnect and reconnect the accessory to the accessory port. Restart the product. If the problem stays, speak to your approved servicing dealer.
<i>Connectivity problem</i>	Problem with the cellular connectivity.	Restart the product. If the problem stays, speak to your local Husqvarna representative.
<i>Invalid firmware configuration</i>	The firmware in the product is not updated.	Update the firmware to the latest version.
<i>Invalid system configuration</i>	Temporary electronic or firmware problem in the product.	Restart the product. If the problem stays, speak to your approved servicing dealer.
<i>Invalid sub-device combination</i>		
<i>Loop sensor problem</i>		
<i>Tilt sensor problem</i>		
<i>Lift sensor problem</i>		
<i>Cutting motor problem, center</i>		
<i>Collision sensor problem</i>		
<i>Collision problem, rear/front</i>		
<i>STOP button problem</i>		
<i>Safety function faulty</i>		
<i>Electronic problem</i>		
<i>Internal voltage problem</i>		
<i>Temporary battery problem</i>		
<i>Too high internal current</i>	The product has stopped because it has operated on too high or thick grass or in a too steep slope.	Put the product on a level surface with short grass and start the product. If the problem stays, speak to your authorized service center.
<i>High internal power loss</i>		
<i>Too high battery current</i>		
<i>Empty battery</i>	The product cannot find the charging station.	The product has no accurate position and cannot find the charging station.
		There is an obstacle that prevents the product to find the charging station.
	The battery is at the end of its life cycle.	Replace the battery. Refer to <i>Replacement of the blades on page 32</i> .
	The antenna of the charging station is defective.	If the LED indicator on the charging station flashes red, the antenna of the charging station is defective. Speak to your approved servicing dealer.

Message	Cause	Action
<i>Battery problem</i>	Temporary battery or firmware problem in the product.	Restart the product. If the problem stays, speak to your approved servicing dealer.
	Incorrect type of battery.	Use only original batteries recommended by the manufacturer.
<i>Battery needs replacement</i>	The battery state of health is low.	Replace the battery. Speak to your approved servicing dealer.
<i>Battery near end of life</i>	The battery state of health critically low.	
<i>Battery temperature outside limits</i>	The product cannot start because the temperature in the battery is too high or too low.	The product will start to operate when the temperature of the battery has decreased. Make sure that the charging station is put in an area with protection from the sun.
<i>No power in charging station</i>	Incorrect or damaged power supply.	Examine the power supply. If it is necessary, replace the power supply.
	Power failure.	Examine and correct the cause for the power failure of the charging station.
	The connection between the charging plates on the product and the contact plates on the charging station is not good.	Make sure that the charging plates and contact plates are connected.
<i>Charging system problem</i>	There is corrosion or dirt on the charging plates and contact plates.	Restart the product. Clean the charging plates on the product and the contact plates on the charging station.
	Temporary electronic or firmware problem in the product.	Restart the product. If the problem stays, speak to your approved servicing dealer.
<i>Charging current too high</i>	Incorrect or defective power supply unit.	Examine that the power supply unit and charging station are not defective. Make sure that you use the correct power supply unit and charging station. Restart the product. If the problem stays, speak to your approved servicing dealer.
<i>Charging station communication problem</i>	The product cannot communicate with the charging station.	Make a new loop signal of or reinstall the charging station. If the problem stays, speak to your approved servicing dealer.
	Power failure.	Find and correct the cause of the power failure.
<i>Charging station blocked</i>	The connection between the charging plates on the product and the contact plates on the charging station is not good. The product made a number of tries to charge.	Put the product in the charging station and make sure that the charging plates and contact plates are connected.
	An object prevents the product to enter the charging station.	Remove the object.
	The charging station tilts or is bent.	Put the baseplate on level ground.

Message	Cause	Action
<i>Stuck in charging station</i>	An object prevents the product to move out from the charging station.	Remove the object.
	The baseplate has a wet or dirty surface that prevents the product to move out from the charging station.	Clean the baseplate of the charging station.
<i>High charging power loss</i>	The contact between the charging plates on the cutting deck and the contact plates on the charging station is not good.	Polish the charging plates on the cutting deck and the contact plates on the charging station.
	Temporary electronic or firmware problem in the product.	Start the product. If the problem stays, speak to your authorized service center.
<i>Guide 1 not found</i>	The previously installed guide wire is no longer found.	Examine if the guide wire is not correctly connected to the charging station or the boundary wire. Examine if there is a break in the guide wire.
<i>No charging station signal</i>	The mains cable for the charging station is not connected.	If the LED indicator on the charging station is out, it shows that there is no power. Examine the power outlet connection and the residual-current device. Make sure that the mains cable is connected to the charging station.
	The mains cable is damaged.	Speak to your approved servicing dealer.
	<i>ECO mode</i> is enabled and the LED indicator of the charging station flashes green. The product was started manually in the work area but the STOP button was not pushed before the product was moved from the charging station. The charging station signal is disabled and the product cannot enter the charging station. Refer to <i>ECO mode on page 25</i> .	Put the product in the charging station. Start the product. Refer to <i>ECO mode on page 25</i> .
	The product does not find the loop signal from the charging station.	Put the product in the charging station and make a new loop signal. Refer to <i>New loop signal on page 25</i> .
	The charging station is not installed correctly.	Install the charging station according to the instruction. Refer to <i>Installation of the charging station on page 16</i> .
	Interference from metal objects such as fences, reinforcement steel or buried cables near the charging station.	Change the position of the charging station.
	If the charging station is installed with a dock by wire installation: The boundary wire is damaged or not installed correctly.	Examine that the boundary wire is connected correctly to the charging station. Examine all splices on the boundary wire. Examine if the boundary wire is damaged and repair if it is necessary.

Message	Cause	Action
No correction data available	Technical problems with EPOS® through the Husqvarna® Cloud.	Restart the product. If the problem remains, the message requires action by authorized service technician.
	The product does not have cellular connection and cannot receive correction data.	Make sure that you have cellular coverage in all parts of the area where the product operates.
Multiple reference stations	There is more than one reference station near the work area. This can cause interference for the product from a different reference station.	Speak to your approved servicing dealer if the same problem occurs frequently.

7.1.2 LED indicator lamp on the charging station

For a fully functional installation, the indicator lamp in the charging station must show a solid or flashing green light. If another color shows, follow the troubleshooting guide below.

There is more help on www.husqvarna.com. If you still need help, speak to your local Husqvarna representative.

Light	Status
Green solid light	Normal operation.
Green flashing light	Normal operation. The product is parked and the signals in the charging station are off.
Blue flashing light	Only when the charging station is installed with dock by wire: The boundary wire is damaged or the boundary wire is not connected to the charging station.
Yellow flashing light	Only when the charging station is installed with dock by wire: The guide wire is damaged or the guide wire is not connected to the charging station.
Purple solid light	Firmware update of the charging station is ongoing.
Red flashing light	Interruption in the charging station's antenna. Speak to your local Husqvarna representative.
Red solid light	Fault in the circuit board or incorrect power supply in the charging station. The fault must be correct by an authorized service technician. Speak to your local Husqvarna representative.

7.1.3 Symptoms

If the product does not operate correctly, refer to the symptoms table below.

Symptoms	Cause	Action
The product cannot go into the charging station.	The charging station is not on a level surface.	Put the charging station on a level surface. Refer to <i>To examine where to put the charging station on page 13</i> .
	The charging station is put too far from the work area.	Make a new work area or move the charging station.
	There is another charging station installed near the other that causes interference.	Make sure that the distance between the charging stations is minimum 3 m / 9.8 ft.
The product operates at the incorrect time.	The time and date of the product must be set.	Set the time and date. Refer to <i>Time & date on page 25</i> .
	The start and stop time for operation are incorrect.	Change the schedule settings. Refer to <i>Schedule on page 24</i> .
There is vibration in the product.	The cutting system is not in balance because of damaged blades.	Examine the blades and screws and replace them if necessary. Refer to <i>Replacement of the blades on page 32</i> .
	The cutting system is not in balance because of too many blades in the same position.	Do a check that only one blade is attached to each screw.
	Blades of different thickness are installed on the product.	Examine if the blades are of different thickness and replace the blades if necessary.
The product operates, but the blade disc does not rotate.	The product goes to the charging station.	Usual operation of the product. The blade disc does not rotate when the product goes to the charging station.
The product operates for shorter periods than usual between charges.	Grass or other object causes a blockage to the blade disc.	Remove and clean the blade disc. Refer to <i>To clean the body, chassis and blade disc on page 30</i> .
	The battery is at the end of its life cycle.	Replace the battery. Refer to <i>Battery on page 33</i> .
	The grass is high and thick.	Increase the cutting height and then decrease it when the grass is shorter.
Operation and charging times are shorter than usual.	The battery is at the end of its life cycle.	Replace the battery. Refer to <i>Battery on page 33</i> .
The product is parked for hours in the charging station.	The product is parked because of the set <i>Schedule</i> setting, or because <i>Park until further notice</i> is selected.	Change the <i>Schedule</i> settings, or start the product.
	The product does not operate if the battery temperature is too high or too low.	The product starts to operate again when the temperature is between the set limits and the schedule settings lets the product operate. Make sure that the charging station is put in an area with protection from the sun.

Symptoms	Cause	Action
The product cannot connect to the mobile device.	The product is connected to a different mobile device or app.	Disable the app in all other connected devices.
The cut result is not satisfactory.	The products operating time is not sufficient and/or its frequency of operation is insufficient.	Increase the cutting time. Refer to <i>Schedule on page 24</i> .
	The work area is too large.	Set a limit to the work area, or extend the operation time. Refer to <i>Schedule on page 24</i> .
	Blunt blades.	Replace all the blades. Refer to <i>Replacement of the blades on page 32</i> .
	Long grass in relation to the set cutting height.	Increase the cutting height and then lower it when the grass is shorter.
	Collection of grass by the blade disc or around the motor shaft.	Remove the collection of grass and clean the product. Refer to <i>Clean the product on page 30</i> .
	The pattern or the direction of the pattern is unsatisfactory for the work area.	Select a different direction of the pattern or a different pattern.
Worn out grass in slopes.	The slope is too steep.	Isolate the slope with a stay-out zone.
	The pattern or the direction of the pattern is unsatisfactory for the slope.	Select a different direction of the pattern or a different pattern. For systematic pattern, Husqvarna recommends that the direction of the systematic pattern is straight up the slope and not parallel to it.

8 Transportation, storage and disposal

8.1 Transportation

The supplied Li-ion batteries obey the Dangerous Goods Legislation requirements.

- Obey all applicable national regulations.
- Obey the special requirement on package and labels for commercial transportations, including by third parties and forwarding agents.

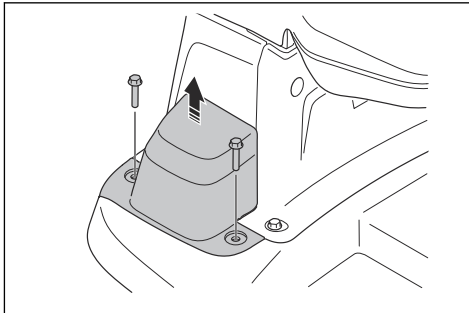
8.2 To put the product into storage

- Charge the product fully. Refer to *To charge the battery on page 28*.
- Set the product to OFF. Refer to *To set the product to OFF on page 28*.
- Clean the product. Refer to *Clean the product on page 30*.
- Put the product in a dry, frost-free area.
- Put the product with all wheels on level ground.

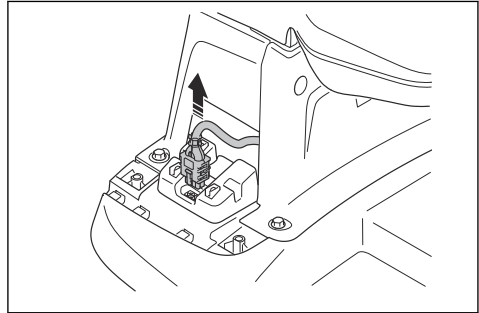
8.3 To put the charging station into storage

You can remove the top of the charging station and put it into storage. It is not necessary to put the baseplate of the charging station into storage.

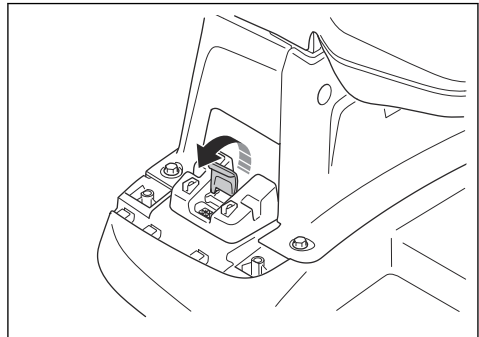
1. Remove the 2 screws for the cable cover and remove the cable cover.



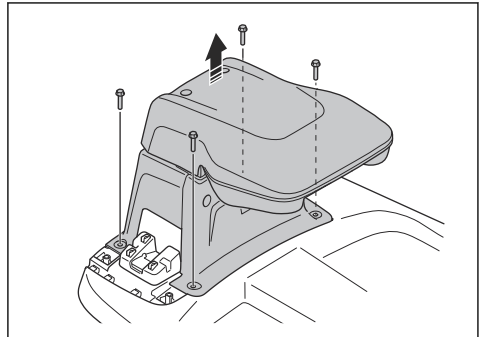
2. Disconnect the cable.



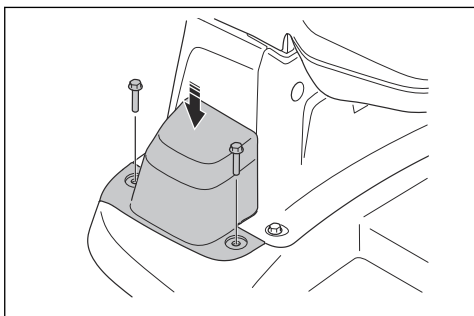
3. Close the orange lid of the connector.



4. Remove the 4 screws for the top of the charging station and remove it.



5. Put the top of the charging station in a dry, frost-free area.
6. Install the cable covers with the 2 screws.



8.4 Disposal

The symbol means that the product is not domestic waste. Recycle it through your local collection system for electrical and electronic equipment. This contributes to proper end of life waste management. Contact local authorities, domestic waste services, your dealer or retailer for information. Incorrect disposal may have potential negative effects on the environment and human health, due to the potential presence of hazardous substances.



Note: The symbol shows on the product or package of the product.

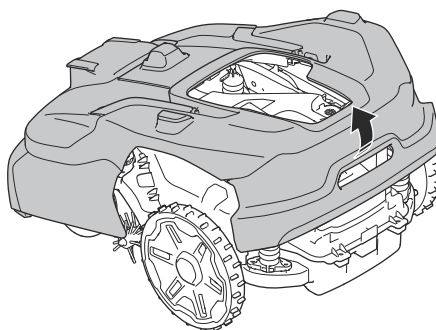
8.4.1 To remove the battery



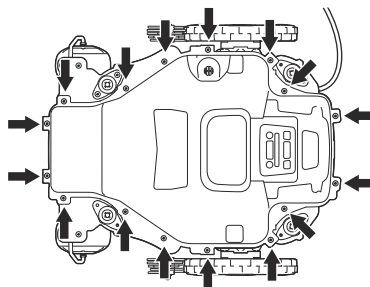
CAUTION: Only remove the batteries when you dispose the product. When you remove the warranty seal, the Husqvarna warranty is no longer applicable.

1. Set the product to OFF.
2. Hold the chassis with one hand. Remove the body of the product with a fast and short pull upwards

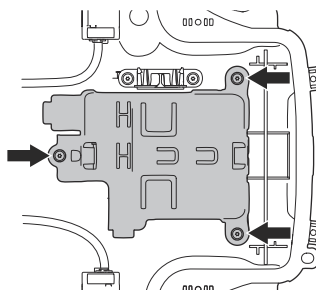
and towards the front of the product.



3. Remove the 16 screws on the chassis with a Torx 20.



4. Lift up the top section of the chassis.
5. Remove all cables from the cable holders on the battery bracket.
6. Remove the 3 screws for the battery holder and remove the battery holder.



7. Disconnect the 2 cables to the battery.

9 Technical data

9.1 Technical data

Dimensions	Automower® 540 EPOS®	Automower® 560 EPOS®	Automower® 580 EPOS®	Automower® 580L EPOS®
Length, cm / in.	78 / 30.7	78 / 30.7	78 / 30.7	78 / 30.7
Width, cm / in.	59 / 23.2	59 / 23.2	59 / 23.2	59 / 23.2
Height, cm / in.	31 / 12.2	31 / 12.2	31 / 12.2	31 / 12.2
Weight, kg / lbs	16.7 / 37	17.3 / 38	17.6 / 39	18.4 / 41

Electrical system	Automower® 540 EPOS®	Automower® 560 EPOS®	Automower® 580 EPOS®	Automower® 580L EPOS®
Battery, Lithium-Ion 36V, 4.0 Ah, Art. No	546 42 61-01, 546 42 61-03	N/A	N/A	N/A
Battery, Lithium-Ion 36V, 8.0 Ah, Art. No	N/A	546 56 03-01, 546 56 03-02, 546 56 03-03	546 56 03-01, 546 56 03-02, 546 56 03-03	546 56 03-01, 546 56 03-02, 546 56 03-03
Power supply (42V DC), V AC	100-240	100-240	100-240	100-240
Mains cable for charging station, length m/ft.	3 / 9.8	3 / 9.8	3 / 9.8	3 / 9.8
Mean energy consumption at maximum use, kWh/month	55	57	70	70
Charging current, A DC	<4	<8	<8	<8
Type of Power Supply Unit for charging station ⁵	AP-384AAAR	AP-384AAAR	AP-384AAAR	AP-384AAAR
Average mowing time, min	85	150	120	120
Average charging time, min	55	55	55	55

⁵ XX, YY can be any alphanumeric characters or blank for marketing purpose only, no technical differences. The "XX" specifies the country version, such as JP, and the "Y" specifies the product revision, such as V.

Sound data ⁶	Automower® 540 EPOS®	Automower® 560 EPOS®	Automower® 580 EPOS®	Automower® 580L EPOS®
Sound level, perceived, dB (A)	64	64	68	69 (Without wheel brushes installed.) 73 (With wheel brushes installed.)
Measured sound power noise level, dB (A)	64	64	67	67 (Without wheel brushes installed.) 72 (With wheel brushes installed.)
Noise emissions uncertainties K_{WA} , dB (A)	1	1	2	2
Sound pressure noise level at the operator's ear, dB (A) ⁷	56	56	59	59 (Without wheel brushes installed.) 64 (With wheel brushes installed.)

Mowing	Automower® 540 EPOS®	Automower® 560 EPOS®	Automower® 580 EPOS®	Automower® 580L EPOS®
Cutting system	5 pivoted cutting blades	5 pivoted cutting blades	5 pivoted cutting blades	5 pivoted cutting blades
Maximum cutting motor speed, rpm	2600	2600	2800	2800
Power consumption during cutting, W +/- 20 %	62	62	87	87
Cutting height, cm / in.	20-60 / 0.8-2.4	20-60 / 0.8-2.4	20-60 / 0.8-2.4	10-50 / 0.4-2.0
Cutting width, cm / in.	26 / 10.2	26 / 10.2	26 / 10.2	26 / 10.2
Narrowest possible passage, m / ft.	0.8 / 2.6	0.8 / 2.6	0.8 / 2.6	0.8 / 2.6
Maximum slope for cutting area, %	50	50	45	45
Maximum slope for virtual boundary, %	20	20	20	20
Area capacity - Sports 24 (systematic pattern), m ² / acre(s)	4000 / 1	6000 / 1.5	8000 / 2	8000 / 2
Area capacity - Standard 48 (systematic pattern), m ² / acre(s)	8000 / 2	12000 / 3	16000 / 4	16000 / 4
Area per hour, no charging, m ² / ft ²	300 / 3200	400 / 4300	500 / 5400	500 / 5400

⁶ Determined according to Directive 2006/42/EC and standard EN 50636-2-107. Except Sound level, perceived that is measured according to ISO 11094:1991.

⁷ Sound pressure noise uncertainties K_{pA} , 2-4 dB (A).

IP-code	Automower® 540 EPOS®	Automower® 560 EPOS®	Automower® 580 EPOS®	Automower® 580L EPOS®
Robotic lawn mower	IPX5	IPX5	IPX5	IPX5
Charging station	IPX4	IPX4	IPX4	IPX4
Power supply charging station	IP44	IP44	IP44	IP44

Charging station wire antenna	
Operating Frequency Band, Hz	100-80000
Maximum magnetic field, dBuA/m	82
Maximum Radio-frequency power ⁸ , mW @60m	<25 mW @60m

Bluetooth®	
Operating frequency band, MHz	2400.0-2483.5
Bluetooth® Output power	8 dBm

Cellular connectivity 2G	
Operating frequency band, MHz	GSM 850 MHz, E-GSM 900 MHz, DCS 1800 MHz, PCS 1900 MHz
Output power, dBm	Power Class 4 (GSM/E-GSM) 33 dBm
	Power Class 1 (DCS/PCS) 30 dBm
	Power Class E2 (GSM/E-GSM) 27 dBm
	Power Class E2 (DCS/PCS) 26 dBm

Cellular connectivity 4G ⁹	
Operating frequency band	Band 1 (2100 MHz), Band 2 (1900 MHz), Band 3 (1800 MHz), Band 4 (1700 MHz), Band 5 (850 MHz), Band 8 (900 MHz), Band 12 (700 MHz), Band 13 (700 MHz), Band 18 (850 MHz), Band 19 (850 MHz), Band 20 (800 MHz), Band 25 (1900 MHz), Band 26 (850 MHz), Band 27 (850MHz), Band 28 (700 MHz), Band 66 (1700 MHz), Band 71 (600 mHz), Band 85 (700 MHz)
Output power, dBm	Power Class 3 23 dBm

SRD radar	Europa, Asia and South America	North America
Operating frequency band, GHz	60-64	57-61.56
Output power, dBm	2.4	2.4

SRD 868	
Operating frequency band, MHz	863-870
Output power, dBm	13

⁸ Maximum active output power to antennas in the frequency band in which the radio equipment operates.

⁹ All countries do not support cellular connection because of regional specified cellular systems. The included service only applies if there is a third part sub-supplier of 2G/4G available in the operational area.

SRD 915	
Operating frequency band, MHz	North America: 902-928
	Australia: 915-928
	New Zealand: 915-928
Output power ¹⁰ , dBm	13

Deviations from this general technical data are included in the country specific chapters.

Full compatibility cannot be guaranteed between the product and other types of wireless systems such as remote controls, radio transmitters, hearing loops, buried electric animal fencing or similar.

The products are made in England or the Czech Republic. See information on the rating plate. Refer to *Introduction on page 7*.

9.2 Registered trademarks

The *Bluetooth®* word mark and logos are registered trademarks owned by *Bluetooth SIG, inc.* and any use of such marks by Husqvarna is under license.

¹⁰ Measured value, Equivalent Isotropically Radiated Power (EIRP).

10 Declaration of Conformity

10.1 Original EU Declaration of Conformity

EU Declaration of Conformity

EU Declaration of Conformity ROB-P22-25-2E

We, Husqvarna AB, SE 561 82 Huskvarna, SWEDEN, Tel. +46 36 146500 declare on our sole responsibility that the products:

Description	Battery powered robotic lawn mower
Brand	HUSQVARNA
Type / Model	HUSQVARNA AUTOMOWER® 540 EPOS, 560 EPOS, 580 EPOS, and 580L EPOS
Identification	Serial numbers dating from 2025 week 48

is in conformity with the following EU directives and regulations as amended:

Directive/Regulation	Description
2006/42/EC	"relating to machinery"
2014/53/EU	"relating to radio equipment"
2011/65/EU	"restriction of use of certain hazardous substances"

and that the following standards and/or technical specifications are applied;

IEC 60335-1:2010+A1:2013+A2:2016 (EN 60335-1:2012+AC:2014+A11:2014+A13:2017+A15:2021)

IEC 60335-2-107:2017+A1:2020+A2:2021 (EN 50636-2-107:2015+A1:2018+A2:2020+A3:2021)

EN ISO 12100:2010

EN IEC 63000:2018

EN 61000-6-1:2007 and EN IEC 61000-6-1:2019

EN 61000-6-3:2007+A1:2011+AC:2012 and EN IEC 61000-6-3:2021

EN 55014-1:2017+ A11:2020 and EN IEC 55014-1:2021

EN 55014-2:1997+A1:2001+A2:2008+AC:1997 and EN IEC 55014-2:2021

ETSI EN 301 489-1 V1.9.2 and ETSI EN 301 489-1 v2.2.3

ETSI EN 301 489-3 V2.3.2

ETSI EN 301 489-17 v3.3.1

ETSI EN 301 489-19 V2.2.1

ETSI EN 301 489-52 V1.2.1

ETSI EN 303 447 V1.3.1

ETSI EN 300 328 V2.2.2

ETSI EN 300 220-1 V3.1.1

ETSI EN 300 220-2 V3.1.1 and ETSI EN 300 220-2 v3.2.1

ETSI EN 301 908-1 V15.2.1

ETSI EN 301 908-13 V13.2.1

ETSI EN 301 511 V.12.5.1

ETSI EN 303 413 V1.2.1

Draft ETSI EN 305 550:2017 v2.1.0

ETSI EN 305 550-1 v1.2.1

ETSI EN 305 550-2 v1.2.1

Manne Alzén

Manne Alzén (Nov 21, 2025 08:29:46 GMT+1)

Manne Alzén

Huskvarna

Senior Director, Professional Robotics R&D

Husqvarna AB, Husqvarna Forest and Garden

Responsible for technical documentation



10.2 Translated EU Declaration of Conformity

We, Husqvarna AB, SE 561 82 Huskvarna, SWEDEN,
Tel. +46 36 146500 declare on our sole responsibility
that the products:

Description	Battery powered robotic lawn mower
Brand	Husqvarna
Type/Model	HUSQVARNA AUTOMOWER® 540 EPOS®, 560 EPOS®, 580 EPOS®, 580L EPOS®
Identification	Serial numbers dating from 2025 week 48

is in conformity with the following EU directives and regulations as amended:

Directive/Regulation	Description
2006/42/EC	"Relating to machinery"
2014/53/EU	"Relating to radio equipment"
2011/65/EU	"Restriction of use of certain hazardous substances"

and that the following standards and/or technical specifications are applied;

- IEC 60335-1:2010+A1:2013+A2:2016 (EN 60335-1:2012+AC:2014+A11:2014+A13:2017+A15:2021)
- IEC 60335-2-107:2017+A1:2020+A2:2021 (EN 50636-2-107:2015+A1:2018+A2:2020+A3:2021)
- EN ISO 12100:2010
- EN IEC 63000:2018
- EN 61000-6-1:2007 and EN IEC 61000-6-1:2019
- EN 61000-6-3:2007+A1:2011+AC:2012 and EN IEC 61000-6-3:2021
- EN 55014-1:2017+ A11:2020 and EN IEC 55014-1:2021
- EN 55014-2:1997+A1:2001+A2:2008+AC:1997 and EN IEC 55014-2:2021
- ETSI EN 301 489-1 V1.9.2 and ETSI EN 301 489-1 v2.2.3
- ETSI EN 301 489-3 V2.3.2
- ETSI EN 301 489-17 v3.3.1
- ETSI EN 301 489-19 V2.2.1
- ETSI EN 301 489-52 V1.2.1
- ETSI EN 303 447 V1.3.1
- ETSI EN 300 328 V2.2.2
- ETSI EN 300 220-1 V3.1.1
- ETSI EN 300 220-2 V3.1.1 and ETSI EN 300 220-2 v3.2.1
- ETSI EN 301 908-1 V15.2.1
- ETSI EN 301 908-13 V13.2.1
- ETSI EN 301 511 V.12.5.1
- ETSI EN 303 413 V1.2.1
- Draft ETSI EN 305 550:2017 v2.1.0

- ETSI EN 305 550-1 v1.2.1
- ETSI EN 305 550-2 v1.2.1

Manne Alzén
Huskvarna

Senior Director, Professional Robotics R&D. Husqvarna AB, Husqvarna Forest and Garden. Responsible for technical documentation.



11 Applicable to UK market

11.1 Statement of compliance

This product complies with the UK Product Security and Telecommunications Infrastructure Regulation. Statement of compliance for your product can be found at www.husqvarna.com/uk/support/.



Husqvarna[®]

AUTOMOWER[®] is a trademark owned by Husqvarna AB.
Copyright[®] 2026 HUSQVARNA. All rights reserved.

www.husqvarna.com

Original instructions



1144125-26



2026-02-10