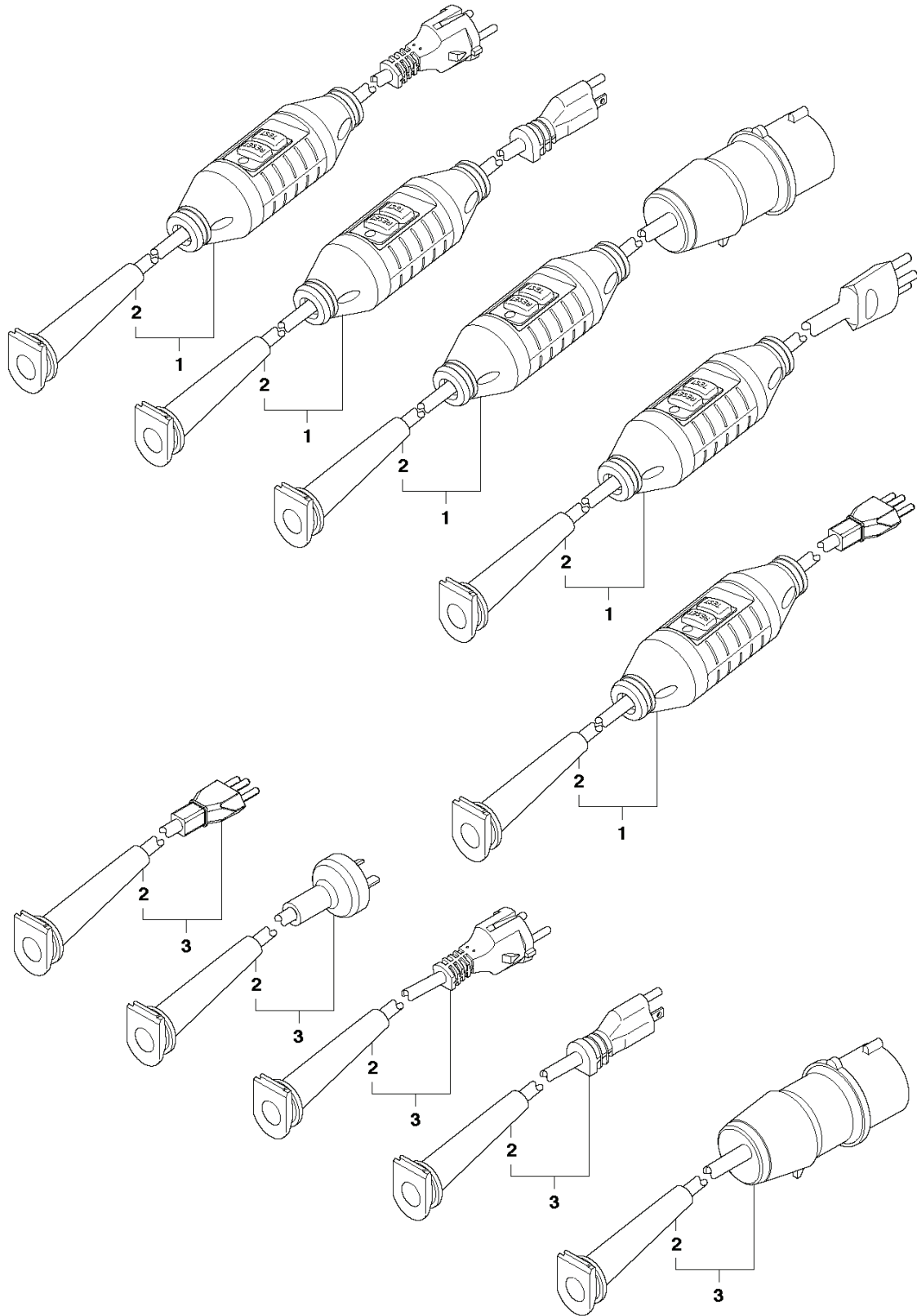


K3000 VAC, 2012-01

---

# **SPARE PARTS LIST**

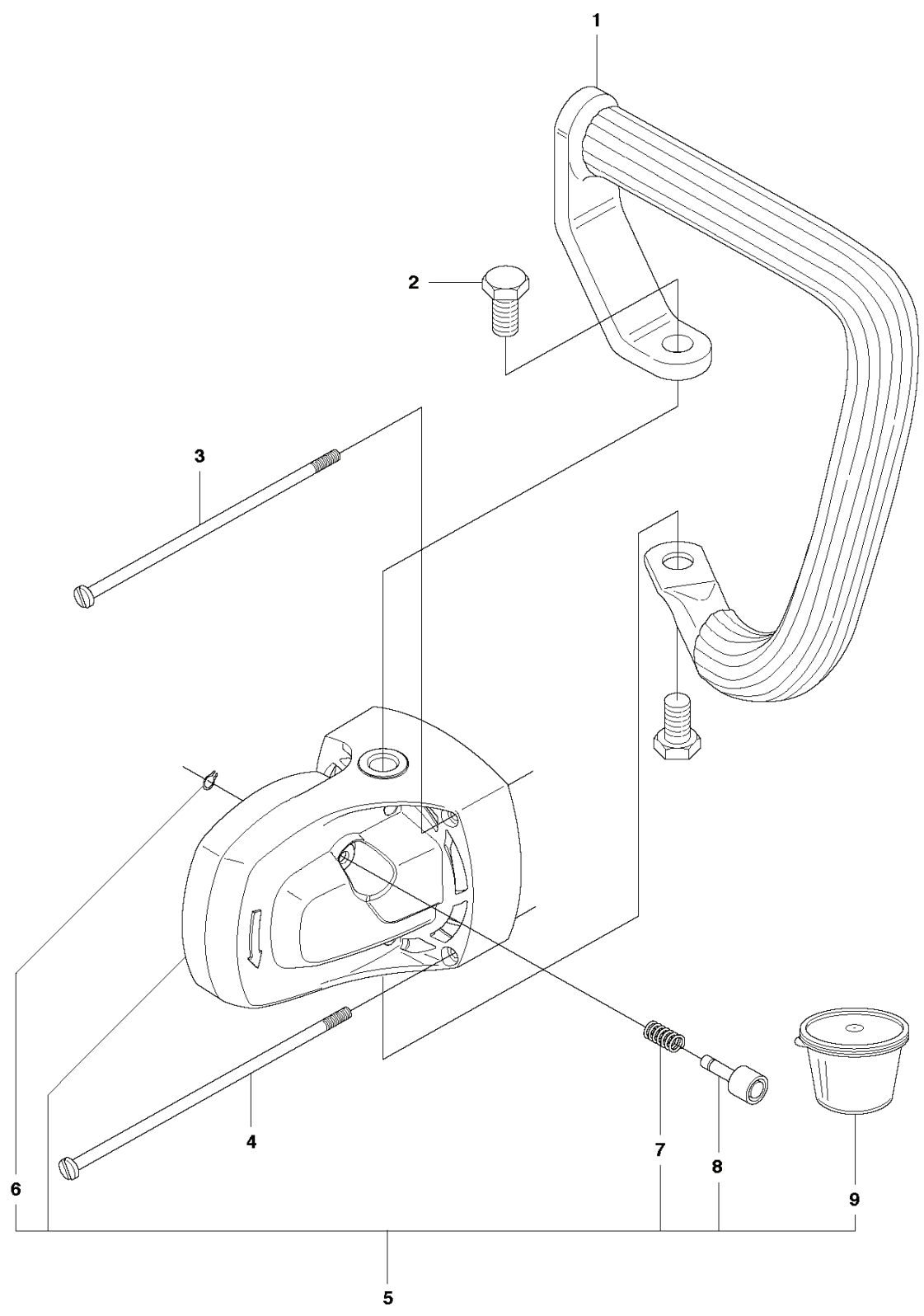
**A2** K3000 VAC  
K3000 WET



---

REF.	PART NO.	DESCRIPTION	REMARK	QTY.	KIT
1	505443303	CABLE	230V PRCD, incl. 2	1	
1	510181302	CABLE	110V PRCD, JP, US, incl. 2	1	
1	521907203	CABLE	110V PRCD, AU, incl. 2	1	
1	521907403	CABLE	230V PRCD, CH, incl. 2	1	
1	585393608	CABLE	230V PRCD, BR, incl. 2	1	
2	577411801	CABLE SLEEVE		1	
3	505443304	CABLE	230V, incl. 2	1	
3	510181305	CABLE	110V JP, US, incl. 2	1	
3	521919003	CABLE	110V UK, incl. 2	1	
3	521907205	CABLE	110V AU, incl. 2	1	
3	521907404	CABLE	230V CH, incl. 2	1	
3	585393609	CABLE	230V BR, incl. 2	1	

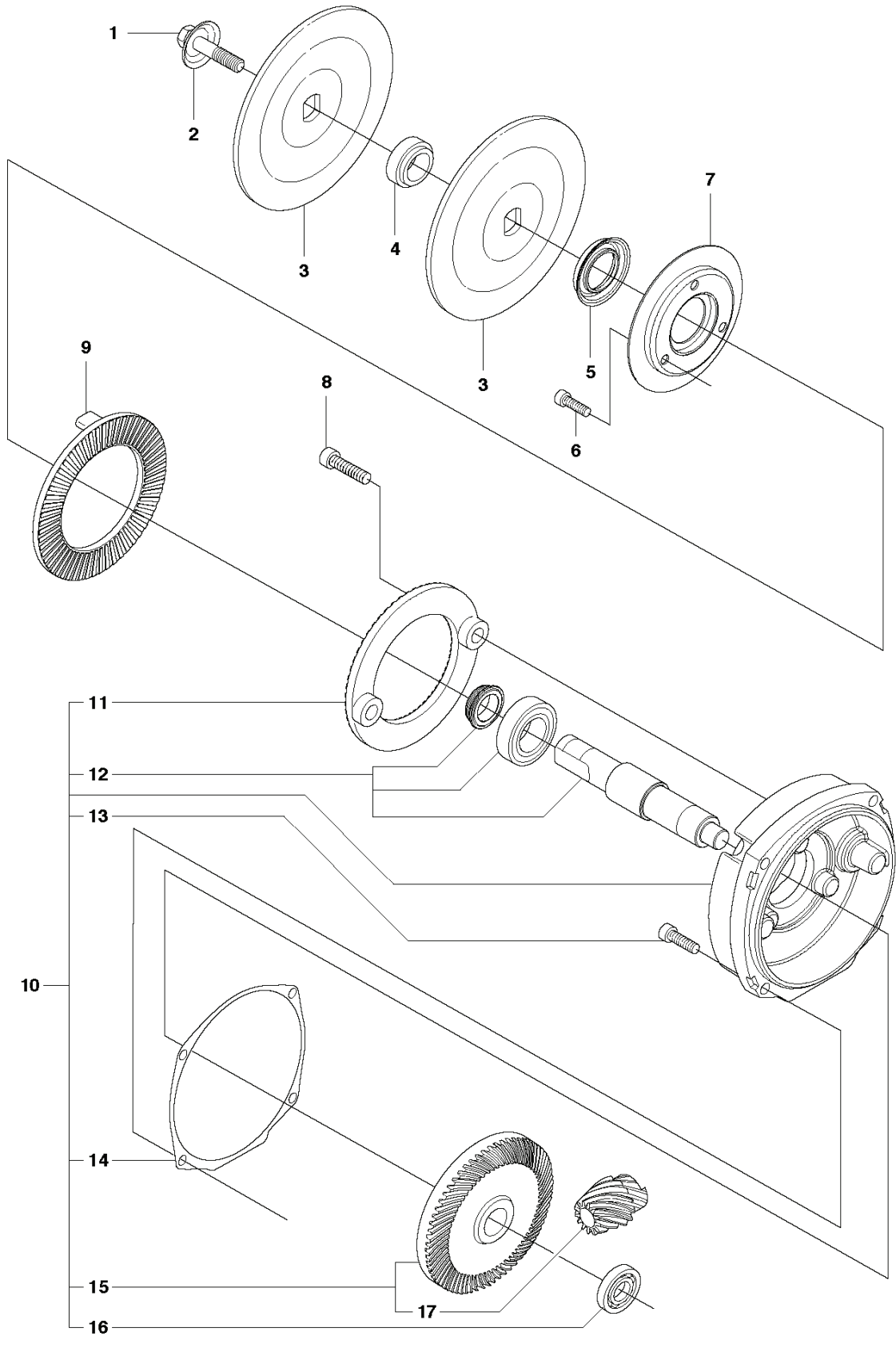
**E** K3000 VAC  
K3000 WET



---

REF.	PART NO.	DESCRIPTION	REMARK	QTY.	KIT
1	506150303	HANDLE		1	
2	531031276	SCREW		2	
3	505530311	SCREW		1	
4	531031894	SCREW		1	
5	544403401	GEAR HOUSING	Incl. 6 - 9	1	
6	735310800	CIRCLIP		1	
7	531031823	SPRING		1	
8	544904701	SHAFT		1	
9	574206202	GREASE		1	

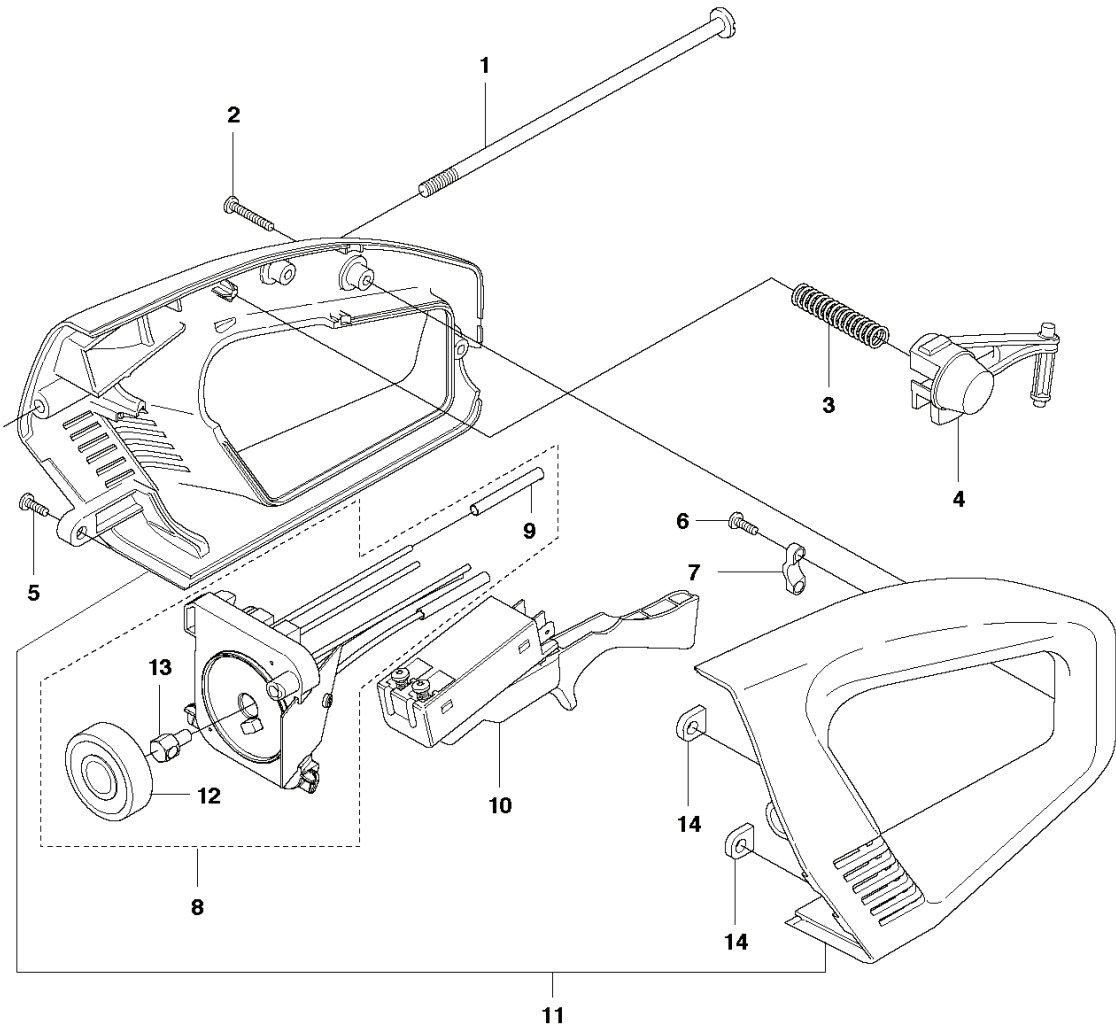
**C** K3000 VAC  
K3000 WET



REF.	PART NO.	DESCRIPTION	REMARK	QTY.	KIT
1	506139601	SCREW EHHFM		1	
2	506139511	WASHER		1	
3	583874401	FLANGE		2	
3	506070901	FLANGE WASHER	JP	1	
4	506379620	KIT	Diam 20mm	1	
4	506379622	BUSHING	Diam 22,2mm	1	
4	506379625	KIT	Diam 25,4mm	1	
4	506028830	BUSHING	Diam 30,5mm	1	
5	506320601	SEALING		1	
6	505574116	SCREW ITXSCM		3	
7	506266501	FLANGE		1	
8	503215310	SCREW ITXSCM		2	
9	506266401	SCREEN		1	
10	544403202	GEAR SET	Incl. 11 - 16	1	
11	506288401	SCREEN		1	
12	544403301	SHAFT		1	
13	505574120	SCREW ITXSCM		4	
14	523056201	GASKET		1	
15	531031875	GEAR WHEEL	Incl. 17	1	
16	738220015	BALL BEARING		1	
17	506098602	PINION		1	



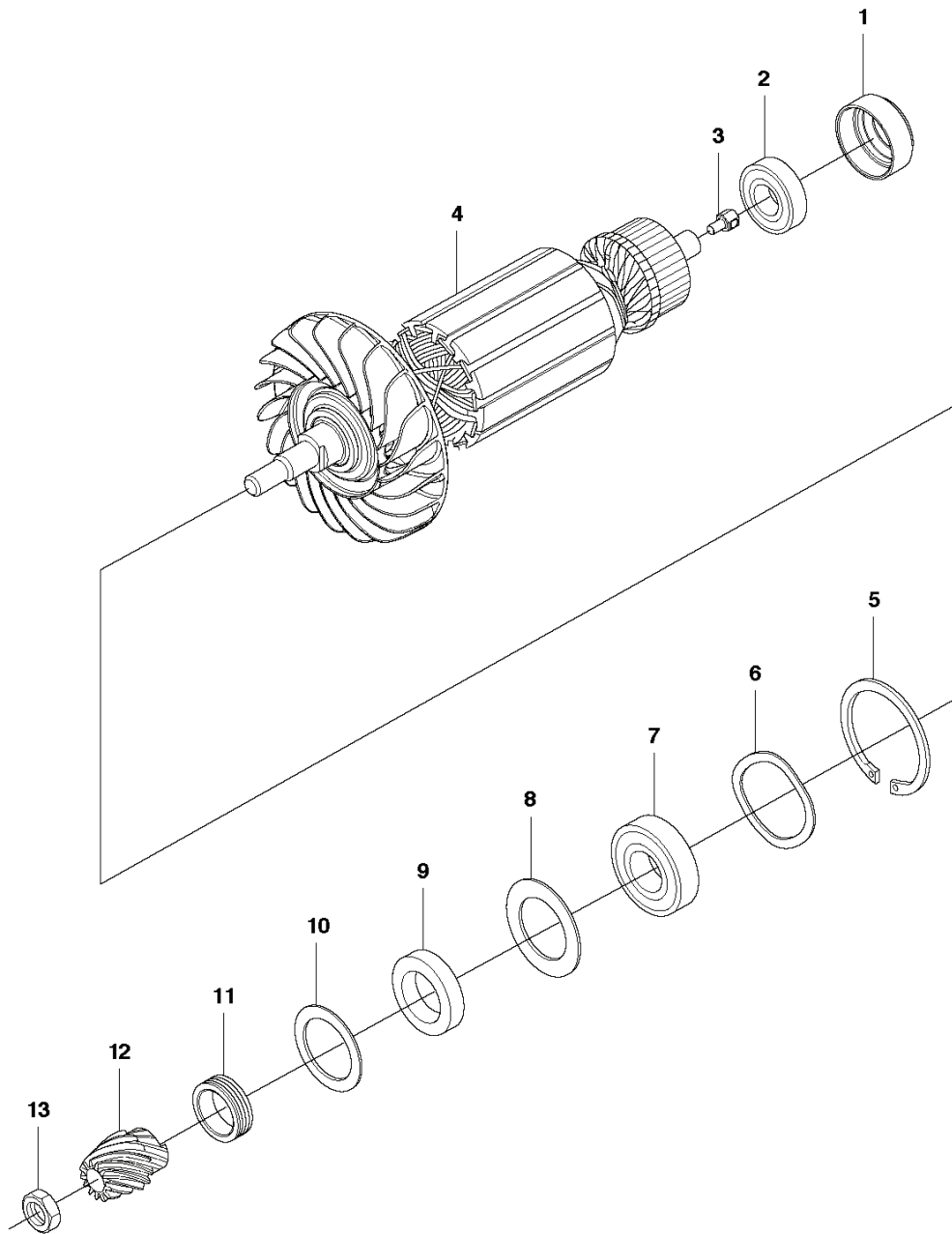
**A1** K3000 VAC  
K3000 WET



---

REF.	PART NO.	DESCRIPTION	REMARK	QTY.	KIT
1	505530311	SCREW		1	
2	531031902	SCREW		3	
3	577481901	SPRING		1	
4	544900601	LOCKING BUTTON		1	
5	729532771	SCREW CRPANT		1	
6	729577801	SCREW CCRPANT		2	
7	531031887	CLIP		1	
8	587032201	ELECTRONIC BOX	110V	1	
8	587032202	ELECTRONIC BOX	230V	1	
9	578032601	SLEEVE	110V	1	
9	578032401	SLEEVE	230V	1	
10	531031883	SWITCH		1	
11	544904502	HANDLE ASSY		1	
12	577066601	RUBBER BUSHING		1	
13	579256201	SCREW		1	
14	577525201	NUT		2	

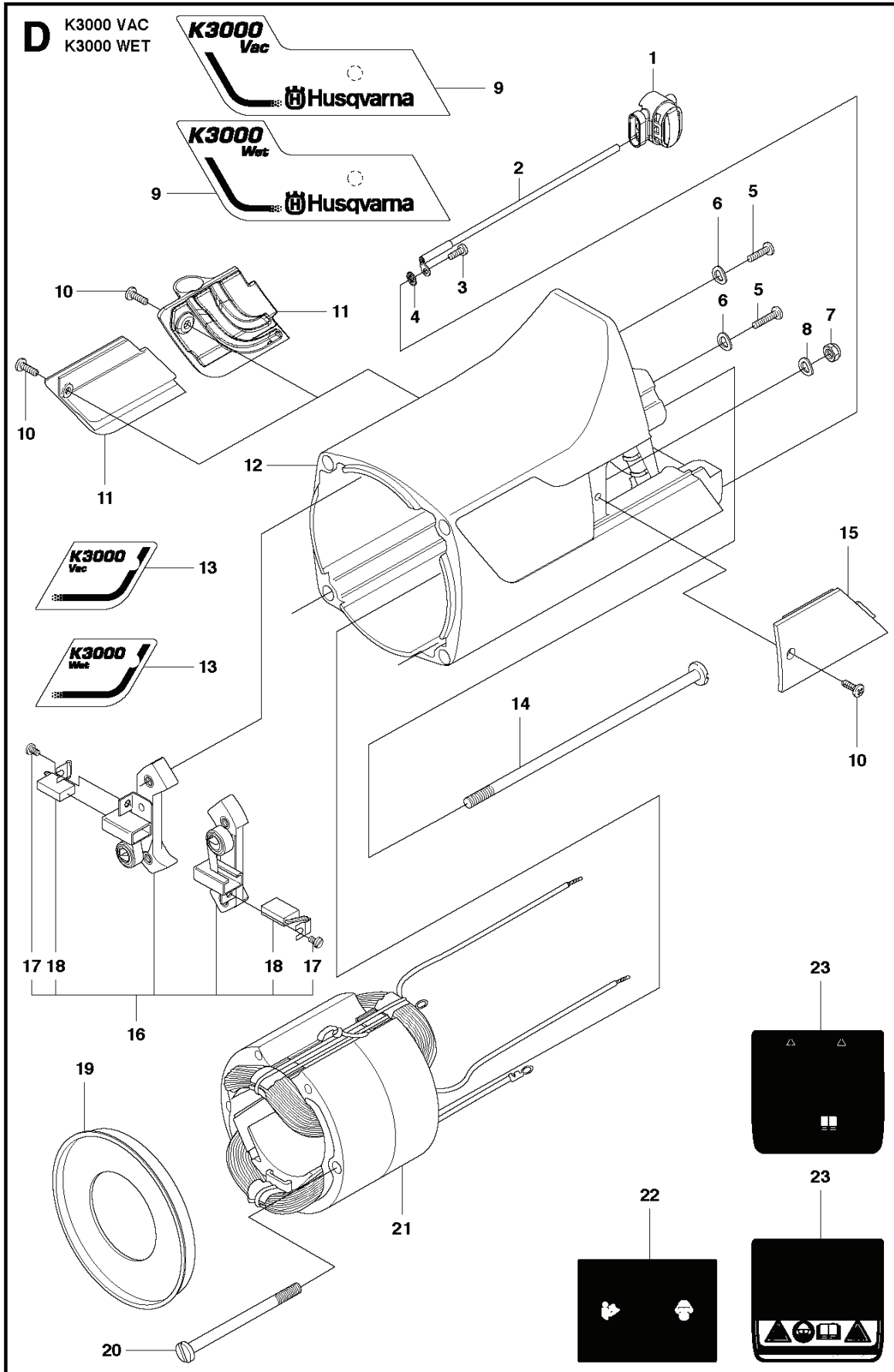
**B** K3000 VAC  
K3000 WET



---

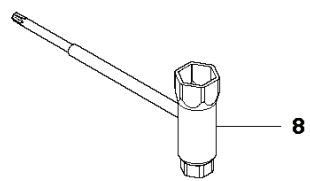
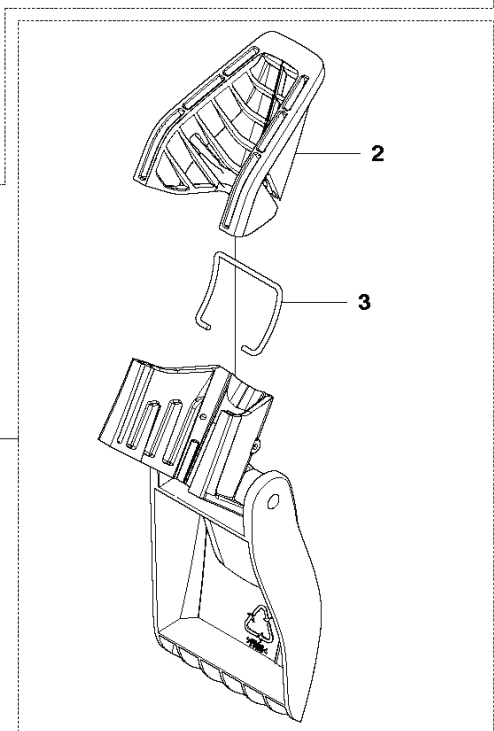
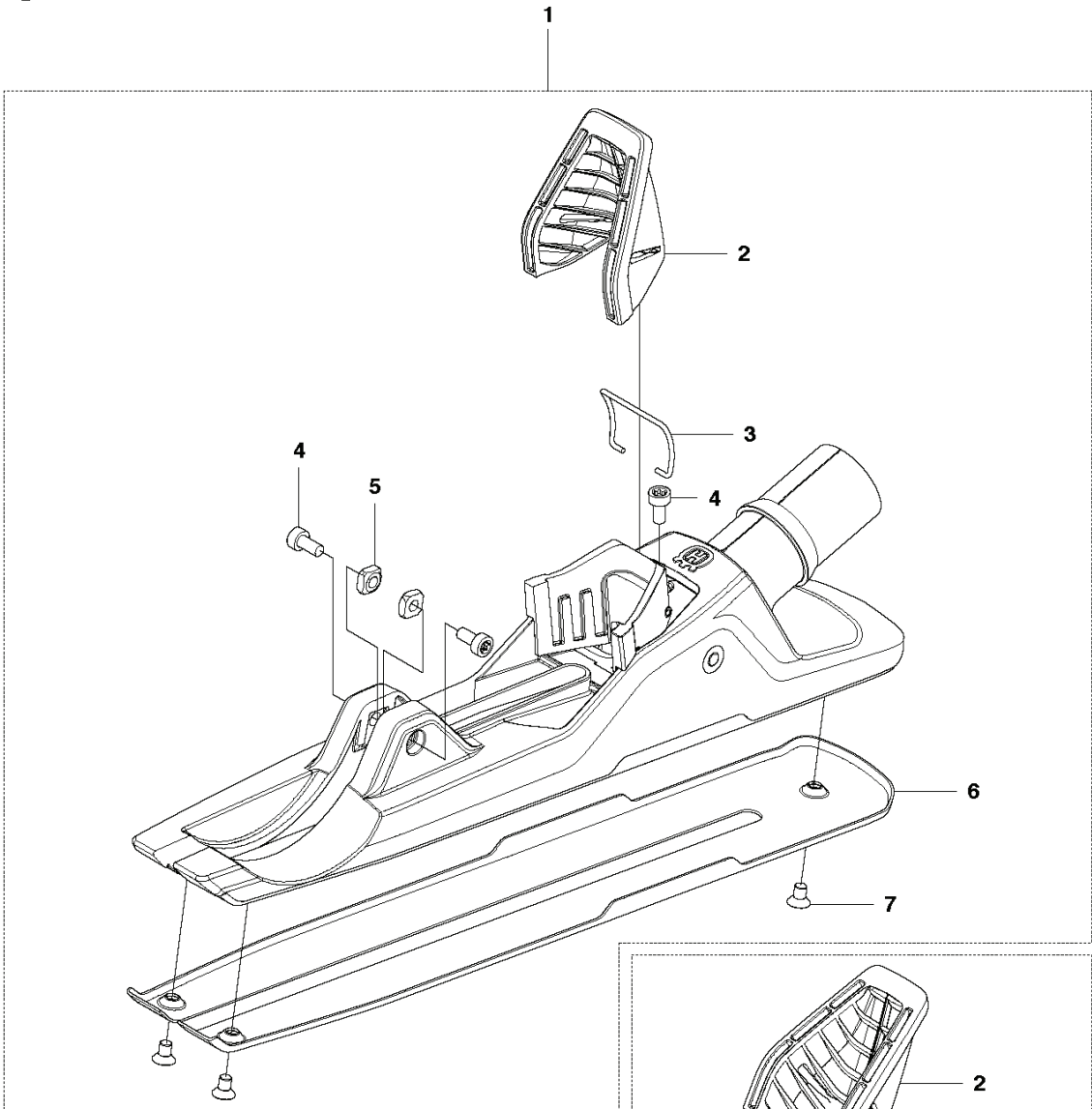
REF.	PART NO.	DESCRIPTION	REMARK	QTY.	KIT
1	577066601	RUBBER BUSHING		1	
2	503250901	BEARING		1	
3	579256201	SCREW		1	
4	575989201	ROTOR	100 - 120V	1	
4	575989301	ROTOR	230V	1	
5	735313310	CIRCLIP		1	
6	505530351	SPRING WASHER		1	
7	531073944	BALL BEARING		1	
8	505530316	SPACER		1	
9	505530341	GASKET		1	
10	505530352	SPACER		1	
11	505530319	SPACER		1	
12	506098602	PINION		1	
13	523122402	NUT		1	

**D** K3000 VAC  
K3000 WET



REF.	PART NO.	DESCRIPTION	REMARK	QTY.	KIT
1	501980201	COUPLER		1	
2	577384001	CABLE ASSY		1	
3	724122201	SCREW CRPANM		1	
4	735212401	LOCKWASHER		1	
5	724129101	SCREW CRPANM		3	
5	724129701	SCREW CRPANM		1	
6	735113650	SPRING WASHER		3	
7	732211401	LOCK NUT		2	
8	735114650	SPRING WASHER		1	
9	544903306	LABEL	Vac	1	
9	544903305	LABEL	Wet	1	
10	729532771	SCREW CRPANT		1	
11	544900201	LID	Vac	1	
11	505122401	LID	Wet	1	
12	577670101	MOTOR HOUSING		1	
13	544903307	LABEL	Vac	1	
13	544903305	LABEL	Wet	1	
14	505530311	SCREW		1	
15	544899401	LID		1	
16	531031892	BRUSH HOLDER	Incl. 17 - 18	1	
17	724128701	SCREW CRPANM		2	
18	506225802	CARBON BRUSH		2	
19	505530307	AIR STREAM DIRECTOR		1	
20	506225301	SCREW		2	
21	506225110	STATOR ASSY	100 - 120V	1	
21	506225120	STATOR ASSY	230V	1	
22	544984001	LABEL		1	
23	506384415	LABEL	JP	1	
23	506384314	LABEL	USA, UK	1	

**G** K3000 VAC  
K3000 WET



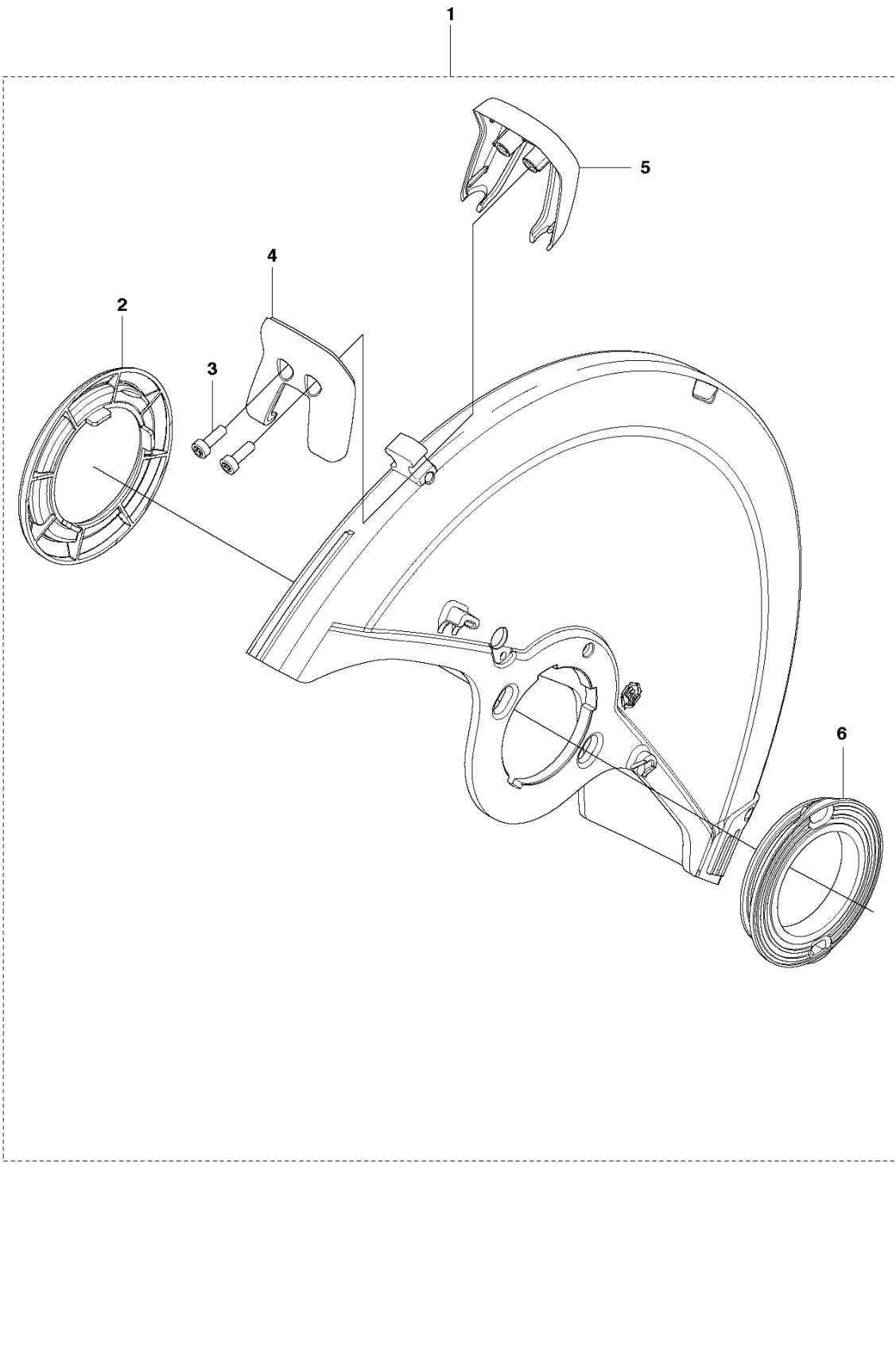
9

---

REF.	PART NO.	DESCRIPTION	REMARK	QTY.	KIT
1	523095001	VAC KIT	Incl. 2 - 7	1	
2	576631001	LOCKING HANDLE		1	
3	576631501	SPRING		1	
4	503215311	SCREW ITXSCM		3	
5	503226504	SQUARE NUT		2	
6	576630701	SKID PLATE		1	
7	725632501	SCREW IHCSFM		3	
8	506382601	TOOL		1	
9	577935301	SPRAY GUARD ASSY	Incl. 2 - 3	1	



**F** K3000 VAC  
K3000 WET



---

REF.	PART NO.	DESCRIPTION	REMARK	QTY.	KIT
1	577716901	WHEEL GUARD	Incl. 2 - 6	1	
2	576786101	ADAPTER		1	
3	504909410	SCREW ITXSCT		2	
4	576797701	HANDLE HALF		1	
5	576797601	HANDLE HALF		1	
6	506266302	LINING		1	