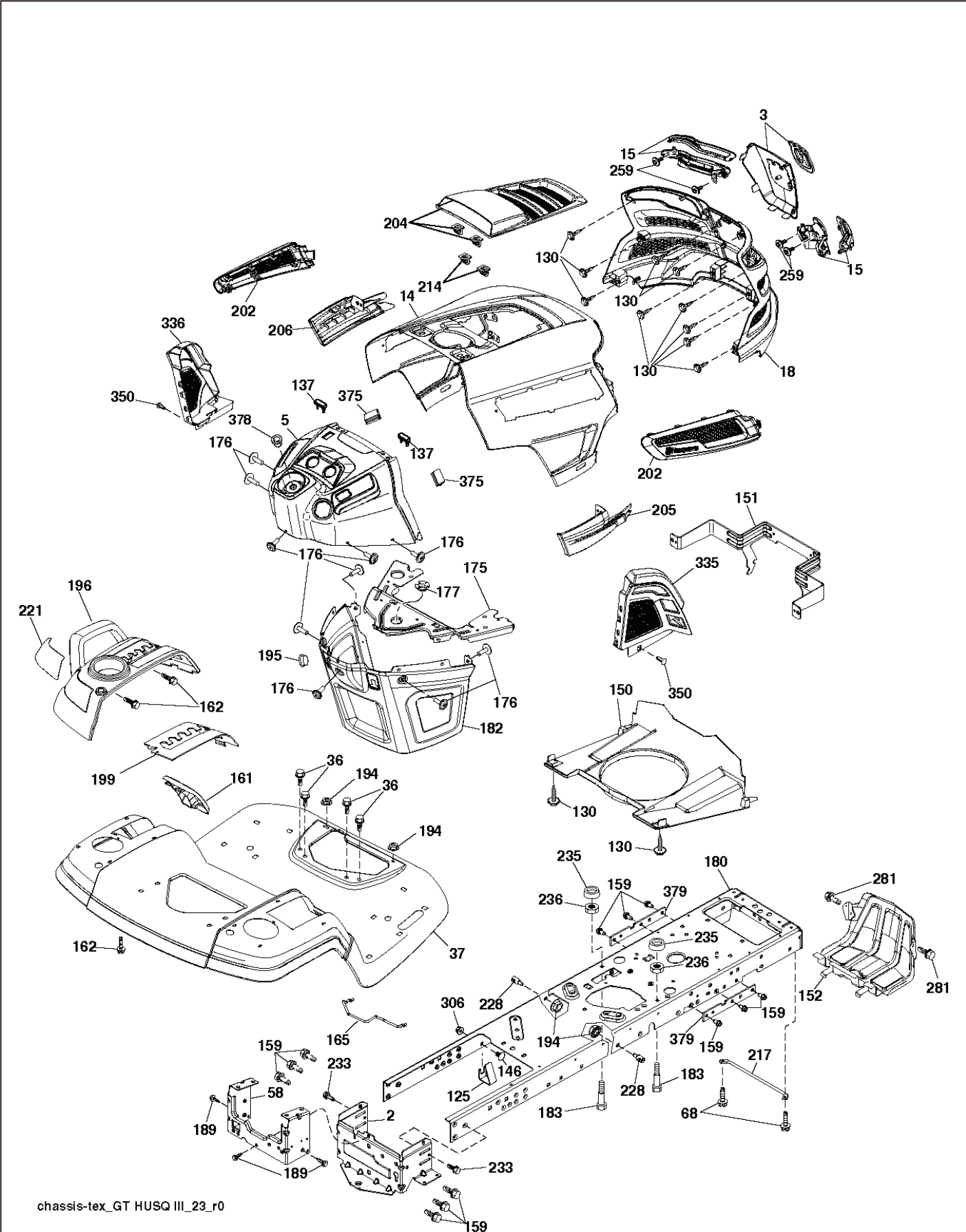


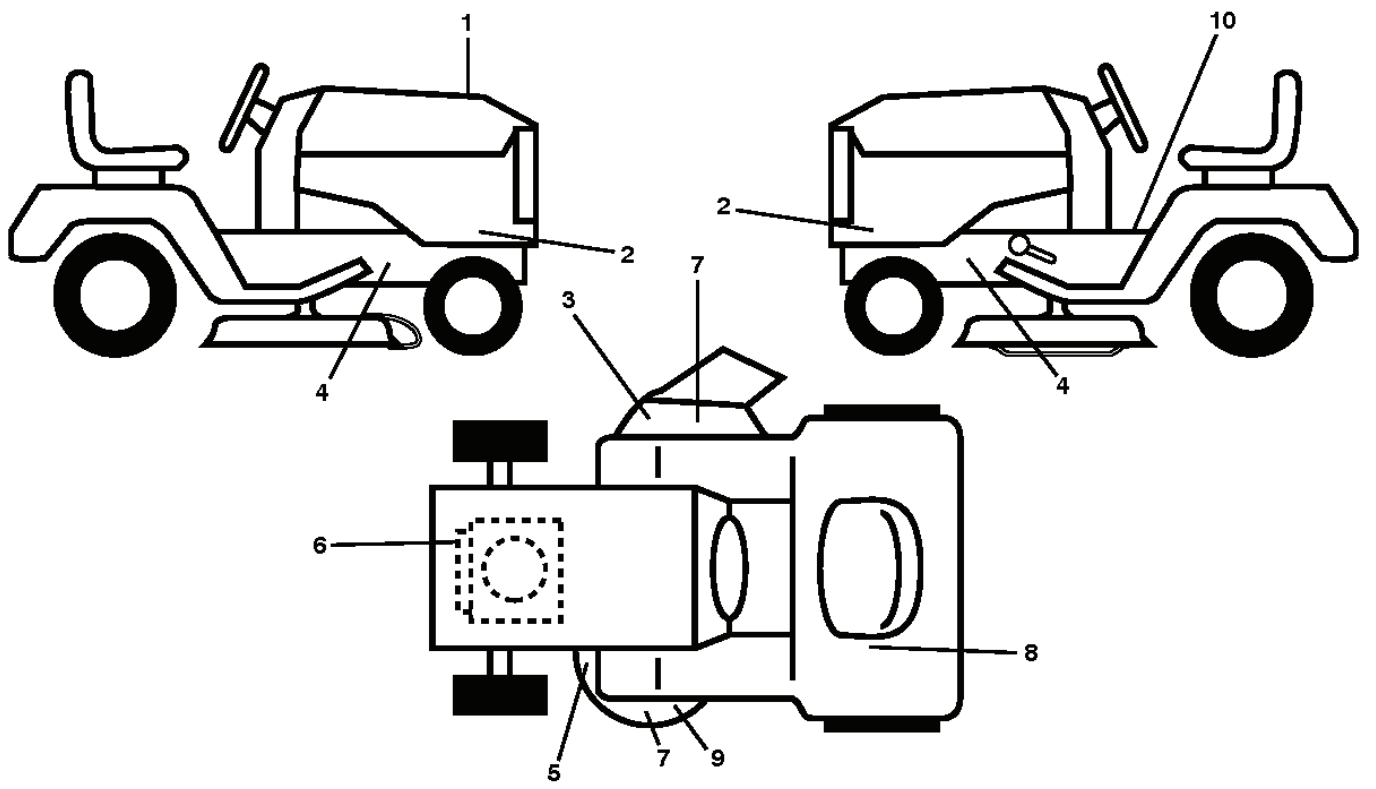
TS 248TXD, 96041045200, 2020-03

SPARE PARTS LIST

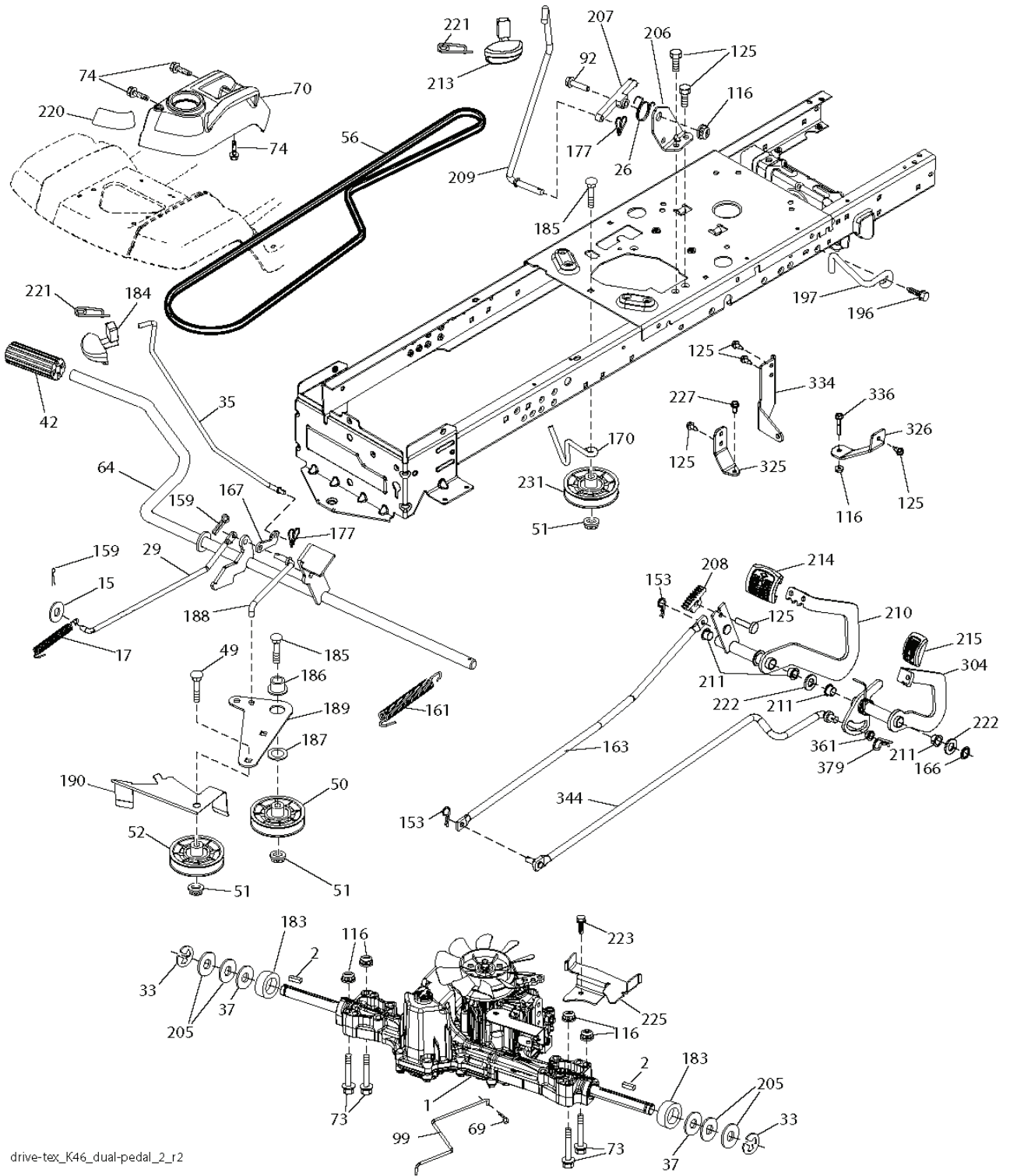


chassis-tex_GT HUSQ III_23_r0

| REF. | PART NO. | DESCRIPTION | REMARK | QTY. | KIT |
|------|-----------|--------------------------|---|------|-----|
| 2 | 532412282 | PLATE | | 1 | |
| 3 | 597688201 | COVER | kit, includes applique cover and emblem badge | 1 | |
| 5 | 590748817 | DASHBOARD | | 1 | |
| 14 | 532441177 | HOOD | | 1 | |
| 15 | 597867901 | SERVICE KIT | includes rh/lh lens and lh/rh housing | 1 | |
| 18 | 597407102 | GRILLE | | 1 | |
| 36 | 817060512 | SCREW | | 1 | |
| 37 | 532441208 | FENDER | | 1 | |
| 58 | 532412281 | PLATE | | 1 | |
| 68 | 596030701 | SCREW | | 1 | |
| 125 | 581684801 | CLIP | | 1 | |
| 130 | 596321701 | SCREW | | 1 | |
| 137 | 532407590 | DAMPING PIECE | | 1 | |
| 146 | 581857901 | BOLT | | 1 | |
| 150 | 532439774 | AIR DUCT | | 1 | |
| 151 | 532436670 | BRACKET | | 1 | |
| 152 | 532439870 | SHIELD | | 1 | |
| 159 | 817000612 | SCREW | | 1 | |
| 161 | 532439929 | CONSOLE | | 1 | |
| 162 | 596134101 | SCREW | | 1 | |
| 165 | 532194330 | SUPPORT | | 1 | |
| 175 | 590607702 | CROSS MEMBER | | 1 | |
| 176 | 532400776 | SCREW | | 1 | |
| 177 | 532195228 | BUSHING | | 1 | |
| 180 | 593346301 | CHASSIS | | 1 | |
| 182 | 532406859 | DASH | | 1 | |
| 183 | 595305701 | SCREW | | 1 | |
| 189 | 817000512 | SCREW | | 1 | |
| 194 | 596135701 | LOCK NUT | | 1 | |
| 195 | 532404137 | TROU*RPLPAR 532401556428 | | 1 | |
| 196 | 532439716 | CONSOLE | | 1 | |
| 199 | 532198259 | PLATE | | 1 | |
| 202 | 597867701 | SERVICE KIT | includes lh/rh side vents | 1 | |
| 204 | 597408001 | VENT | kit, includes top vent and clips | 1 | |
| 205 | 532439730 | SKIRT | | 1 | |
| 206 | 532439729 | SKIRT | | 1 | |
| 214 | 532199145 | CLIP | | 1 | |
| 217 | 532409167 | ROD | | 1 | |
| 221 | 532198909 | LENS | | 1 | |
| 228 | 593824001 | STUD | | 1 | |
| 233 | 532196539 | BOLT | | 1 | |
| 235 | 596564201 | SPACER | | 1 | |
| 236 | 873930500 | NUT | | 1 | |
| 259 | 596434001 | SCREW | | 1 | |
| 281 | 817000616 | SCREW | | 1 | |
| 306 | 873900600 | NUT | | 1 | |
| 335 | 532448204 | COVER | | 1 | |
| 336 | 532445309 | COVER | | 1 | |
| 350 | 532445143 | CLIP | | 1 | |
| 375 | 586908201 | BUMPER | | 1 | |
| 378 | 590849801 | BUSHING | | 1 | |
| 379 | 593206902 | PLATE | | 1 | |
| -- | 532431882 | GUARD | | 1 | |



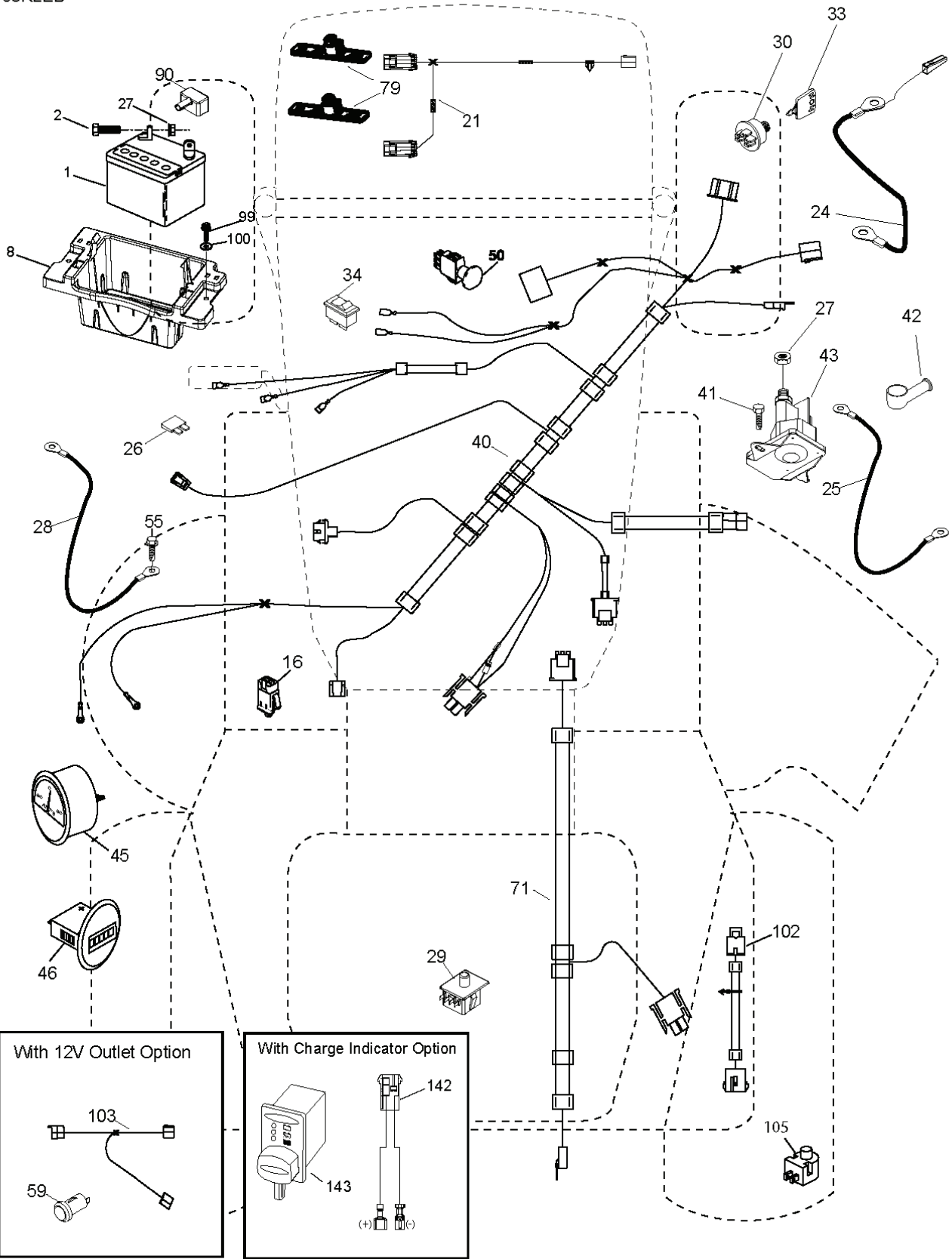
| REF. | PART NO. | DESCRIPTION | REMARK | QTY. | KIT |
|------|-----------|-------------|--------|------|-----|
| 1 | 590412301 | DECAL | | 1 | |
| 2 | 599580201 | DECAL | | 1 | |
| 3 | 586978801 | DECAL | | 1 | |
| 4 | 581579601 | DECAL | | 1 | |
| 4 | 581579602 | DECAL | | 1 | |
| 5 | 581580002 | DECAL | | 1 | |
| 5 | 531229002 | DECAL | | 1 | |
| 6 | 581579701 | DECAL | | 1 | |
| 7 | 589357901 | DECAL | | 1 | |
| 7 | 589357902 | DECAL | | 1 | |
| 8 | 597470101 | DECAL | | 1 | |
| 9 | 590885001 | DECAL | | 1 | |
| 10 | 586047302 | DECAL | | 1 | |
| -- | 501749001 | DECAL | | 1 | |
| -- | 581724801 | DECAL | | 1 | |
| -- | 581724802 | DECAL | | 1 | |
| -- | 581724601 | DECAL | | 1 | |
| -- | 532439882 | PAD | | 1 | |
| -- | 532441542 | PAD | | 1 | |



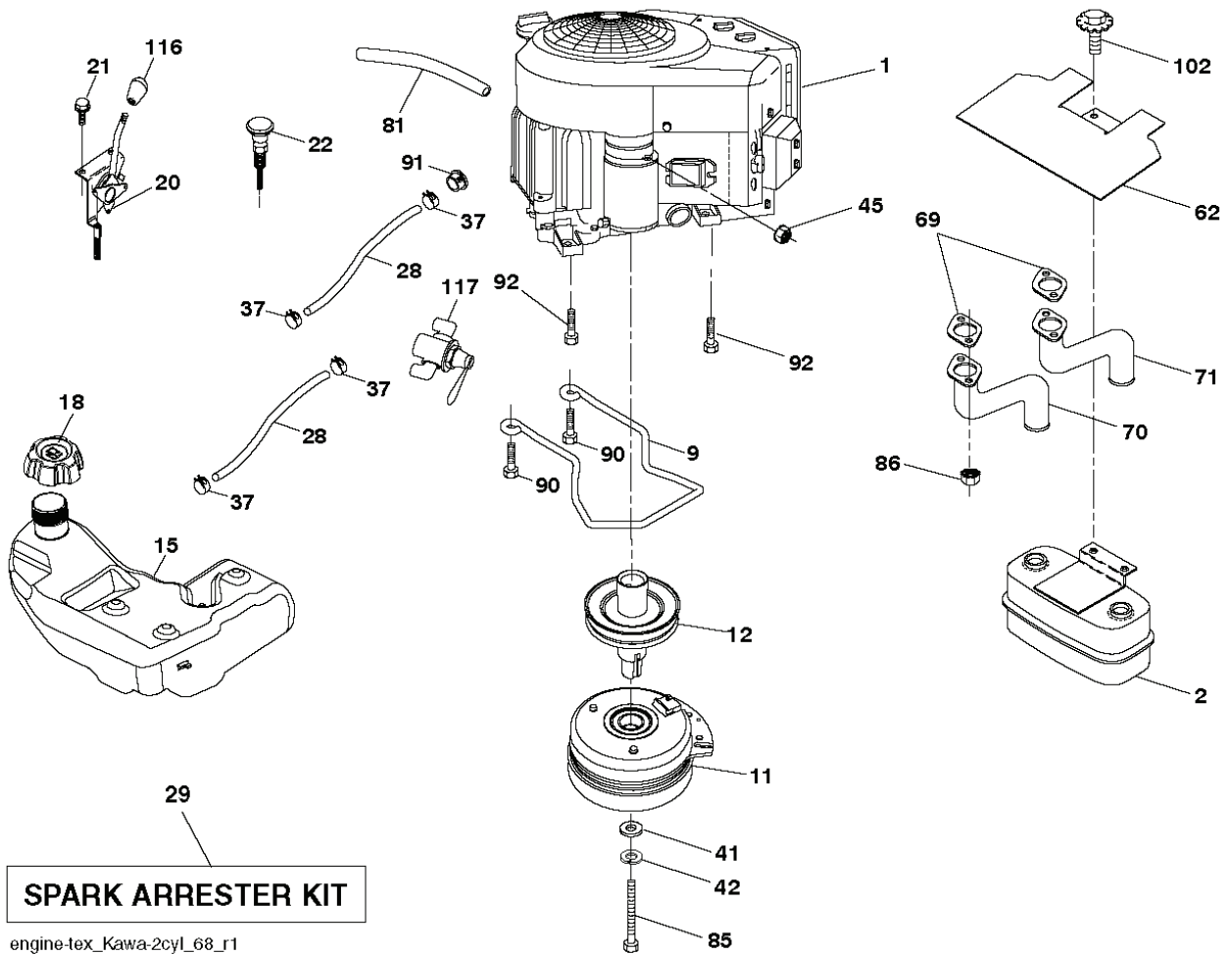
drive-tex_K46_dual-pedal_2_r2

| REF. | PART NO. | DESCRIPTION | REMARK | QTY. | KIT |
|------|-----------|--------------------------------|---|------|-----|
| 1 | 501051401 | TRANSAXLE | Transaxle, TUFFTORQ K46 CR (501051401) | 1 | |
| 2 | 532123583 | KEY | | 1 | |
| 15 | 596565301 | WASHER | | 1 | |
| 17 | 532413678 | SRPING.BRAKE.K46.GREEN*SUBS/2* | | 1 | |
| 26 | 532199679 | SPRING | | 1 | |
| 29 | 532403806 | ROD | | 1 | |
| 33 | 812000001 | RETAINER RING | | 1 | |
| 35 | 583864502 | ROD | | 1 | |
| 37 | 532188967 | WASHER | | 1 | |
| 42 | 532124872 | PEDAL RUBBER | | 1 | |
| 49 | 596136201 | BOLT | | 1 | |
| 50 | 532194327 | PULLEY | | 1 | |
| 51 | 873900600 | NUT | | 1 | |
| 52 | 532194326 | PULLEY | | 1 | |
| 56 | 592855201 | BELT | | 1 | |
| 64 | 532197865 | SHAFT | | 1 | |
| 69 | 532423303 | HAIR PIN COTTER | | 1 | |
| 70 | 532439661 | CONSOLE | | 1 | |
| 73 | 596136501 | BOLT | | 1 | |
| 74 | 596134101 | SCREW | | 1 | |
| 92 | 595305701 | SCREW | | 1 | |
| 99 | 582404501 | ROD | | 1 | |
| 116 | 596135701 | LOCK NUT | | 1 | |
| 125 | 817000512 | SCREW | | 1 | |
| 153 | 532004497 | CLIP | | 1 | |
| 159 | 596029501 | PIN | | 1 | |
| 161 | 532105709 | SPRING | | 1 | |
| 163 | 588566301 | ROD | | 1 | |
| 166 | 532429164 | NUT | | 1 | |
| 167 | 532405257 | LATCH | | 1 | |
| 170 | 532413430 | BELT GUIDE | | 1 | |
| 177 | 587225301 | PIN | | 1 | |
| 183 | 532137057 | SPACER | | 1 | |
| 184 | 587653701 | HANDLE | | 1 | |
| 185 | 872110622 | BOLT | | 1 | |
| 186 | 532194321 | SPACER | | 1 | |
| 187 | 596135501 | WASHER | | 1 | |
| 188 | 582217001 | LINK | | 1 | |
| 189 | 532194317 | PLATE | | 1 | |
| 190 | 532194318 | BELT GUIDE | | 1 | |
| 196 | 817000616 | SCREW | | 1 | |
| 197 | 587402001 | BRACKET | | 1 | |
| 205 | 532121748 | WASHER | | 1 | |
| 206 | 532448596 | BRACKET | | 1 | |
| 207 | 587031402 | LATCH | | 1 | |
| 208 | 596564101 | GEAR | | 1 | |
| 209 | 596869801 | ROD | | 1 | |
| 210 | 588987202 | PEDAL | | 1 | |
| 211 | 532120183 | BEARING | | 1 | |
| 213 | 532403119 | CONTROL | | 1 | |
| 214 | 532421263 | PAD | | 1 | |
| 215 | 596908301 | PEDAL | | 1 | |
| 220 | 532198908 | LENS | | 1 | |
| 221 | 532403187 | SPRING | | 1 | |
| 222 | 879212010 | WASHER | | 1 | |
| 223 | 598662601 | BOLT | | 1 | |
| 225 | 532403319 | BELT GUIDE | | 1 | |
| 227 | 596135901 | BOLT | | 1 | |
| 231 | 532407287 | PULLEY | | 1 | |
| 304 | 588987302 | PEDAL | | 1 | |
| 325 | 586431202 | BRACKET | | 1 | |
| 326 | 586001102 | BRACKET | | 1 | |
| 334 | 585882202 | BRACKET | | 1 | |
| 336 | 587259602 | BOLT | | 1 | |
| 344 | 597647201 | ROD | | 1 | |
| 361 | 597136701 | BUSHING | | 1 | |
| 379 | 596580601 | PIN | | 1 | |

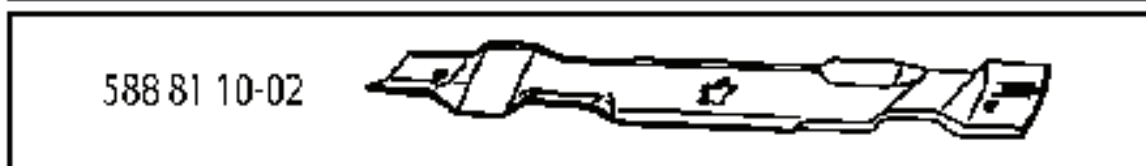
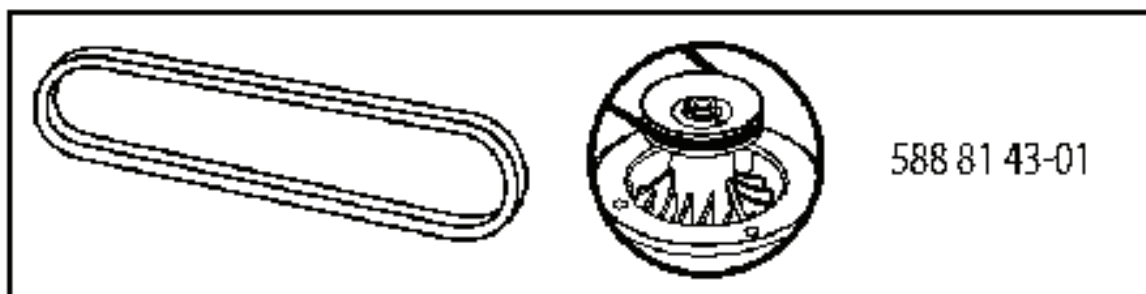
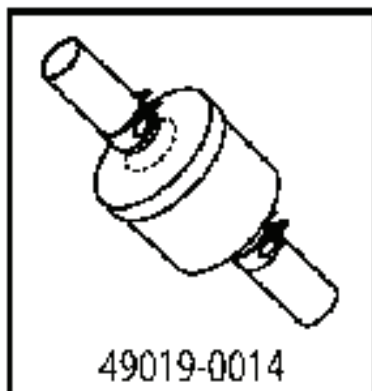
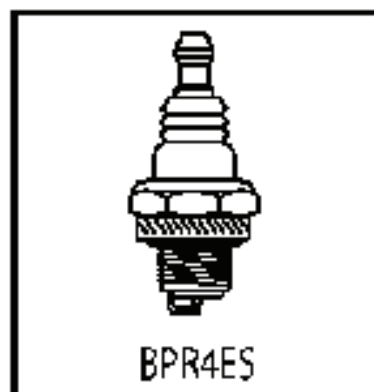
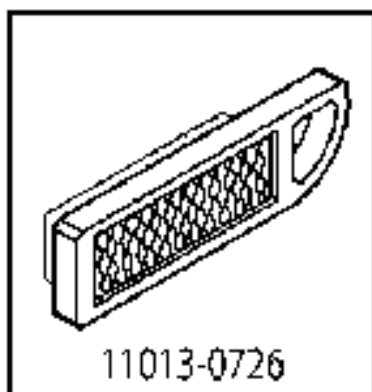
T38KLED



| REF. | PART NO. | DESCRIPTION | REMARK | QTY. | KIT |
|------|-----------|------------------------|--------|------|-----|
| 1 | 532163465 | BATTERY | | 1 | |
| 2 | 874760412 | BOLT | | 1 | |
| 8 | 587205101 | TRAY | | 1 | |
| 16 | 532176138 | MICRO SWITCH | | 1 | |
| 21 | 585436402 | HARNESS | | 1 | |
| 24 | 585555601 | CABLE | | 1 | |
| 25 | 585555501 | CABLE | | 1 | |
| 26 | 532175158 | FUSE | | 1 | |
| 27 | 596133601 | LOCK NUT | | 1 | |
| 28 | 532416588 | CABLE | | 1 | |
| 29 | 532192749 | SWITCH.SEAT.DP W/RAMPS | | 1 | |
| 30 | 532193350 | IGNITION MODULE | | 1 | |
| 33 | 532411935 | KEY | | 1 | |
| 34 | 532110712 | SWITCH | | 1 | |
| 40 | 501133101 | HARNESS | | 1 | |
| 41 | 817720408 | SCREW | | 1 | |
| 42 | 532131563 | COVER | | 1 | |
| 43 | 582042802 | SOLENOID | | 1 | |
| 45 | 587553906 | GAUGE | | 1 | |
| 46 | 587554006 | GAUGE | | 1 | |
| 50 | 582107602 | SWITCH | | 1 | |
| 55 | 817060512 | SCREW | | 1 | |
| 71 | 532194276 | CABLE ASSY | | 1 | |
| 79 | 597523001 | LIGHT | | 1 | |
| 90 | 532435395 | TERMINAL COVER | | 1 | |
| 99 | 817670412 | SCREW | | 1 | |
| 100 | 596135301 | WASHER | | 1 | |
| 102 | 532404454 | CABLE | | 1 | |
| 105 | 532407568 | SWITCH | | 1 | |

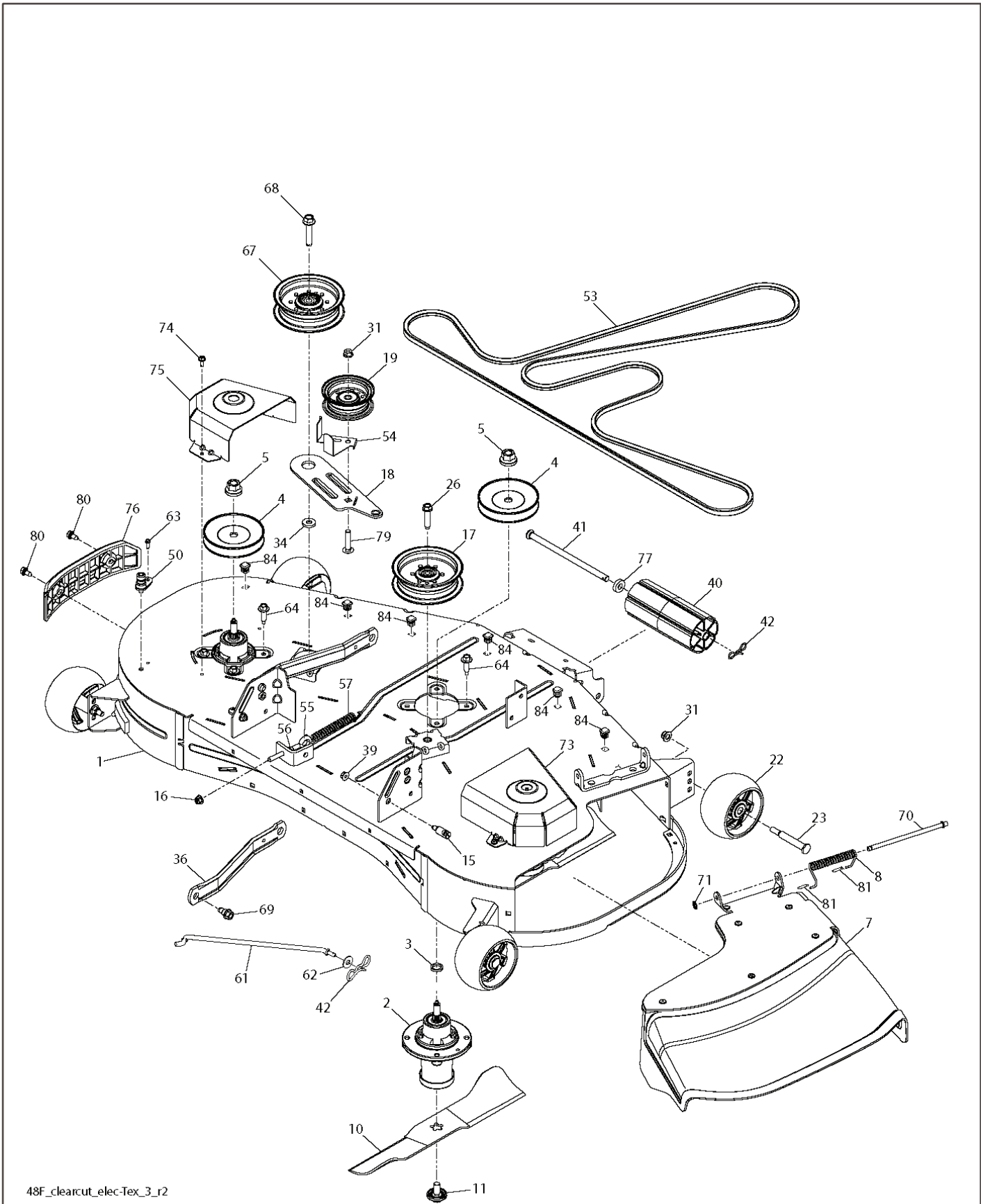


| REF. | PART NO. | DESCRIPTION | REMARK | QTY. | KIT |
|------|-----------|------------------------|---|------|-----|
| 1 | 000000000 | W/O DESCRIPTION | ENGINE KAWA MODEL NO. FR691-DS15 (581557501) | 1 | |
| 2 | 589818701 | MUFFLER | | 1 | |
| 9 | 596501502 | KEEPER | | 1 | |
| 11 | 587255001 | CLUTCH | | 1 | |
| 12 | 586899601 | PULLEY | | 1 | |
| 15 | 532422804 | TANK FUEL | | 1 | |
| 18 | 584248702 | FUEL CAP | | 1 | |
| 20 | 532424341 | CONTROL THROTTLE | | 1 | |
| 21 | 596321701 | SCREW | | 1 | |
| 22 | 532189541 | CHOKE CONTROL | | 1 | |
| 28 | 532401135 | LINE.FUEL.64"REAR.EMIS | | 1 | |
| 29 | 532137180 | SPARK ARRESTER KIT | | 1 | |
| 37 | 532123487 | HOSE CLAMP | | 1 | |
| 41 | 532126197 | WASHER | | 1 | |
| 42 | 596238901 | WASHER | | 1 | |
| 45 | 596133601 | LOCK NUT | | 1 | |
| 62 | 532434017 | SHIELD | | 1 | |
| 69 | 532178151 | MUFFLER GASKET | | 1 | |
| 70 | 583955601 | TUBE | | 1 | |
| 71 | 583955701 | TUBE | | 1 | |
| 81 | 532148456 | TUBE | | 1 | |
| 85 | 501606701 | BOLT | | 1 | |
| 86 | 532184362 | NUT | | 1 | |
| 90 | 817000616 | SCREW | | 1 | |
| 91 | 532187495 | BUSHING | | 1 | |
| 92 | 817120616 | SCREW | | 1 | |
| 102 | 817000512 | SCREW | | 1 | |
| 116 | 539132624 | KNOB | | 1 | |
| 117 | 532420828 | VALVE FUEL RESERVE | | 1 | |

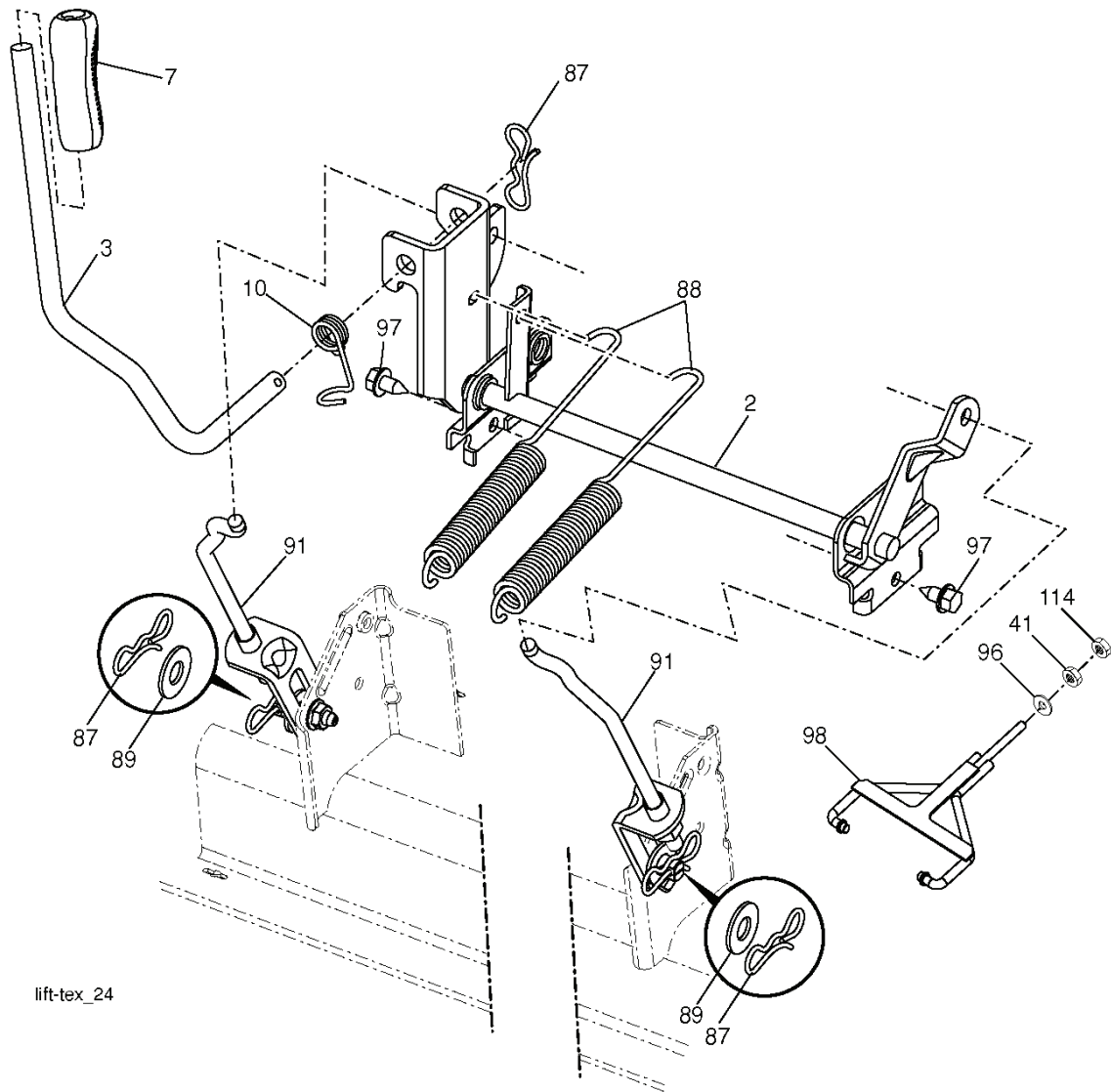


590412301

| REF. | PART NO. | DESCRIPTION | REMARK | QTY. | KIT |
|-----------|-----------|-------------|--------|------|-----|
| 110130726 | 581990901 | AIR FILTER | | 1 | |
| BPR4ES | 535414464 | SPARK PLUG | | 1 | |
| 490190014 | 581990801 | FUEL FILTER | | 1 | |
| 490657007 | 578159201 | OIL FILTER | | 1 | |
| 592855201 | 592855201 | BELT | | 1 | |
| 588814301 | 588814301 | BELT | | 1 | |
| 588811002 | 588811002 | BLADE | | 1 | |

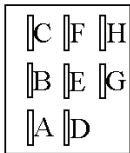
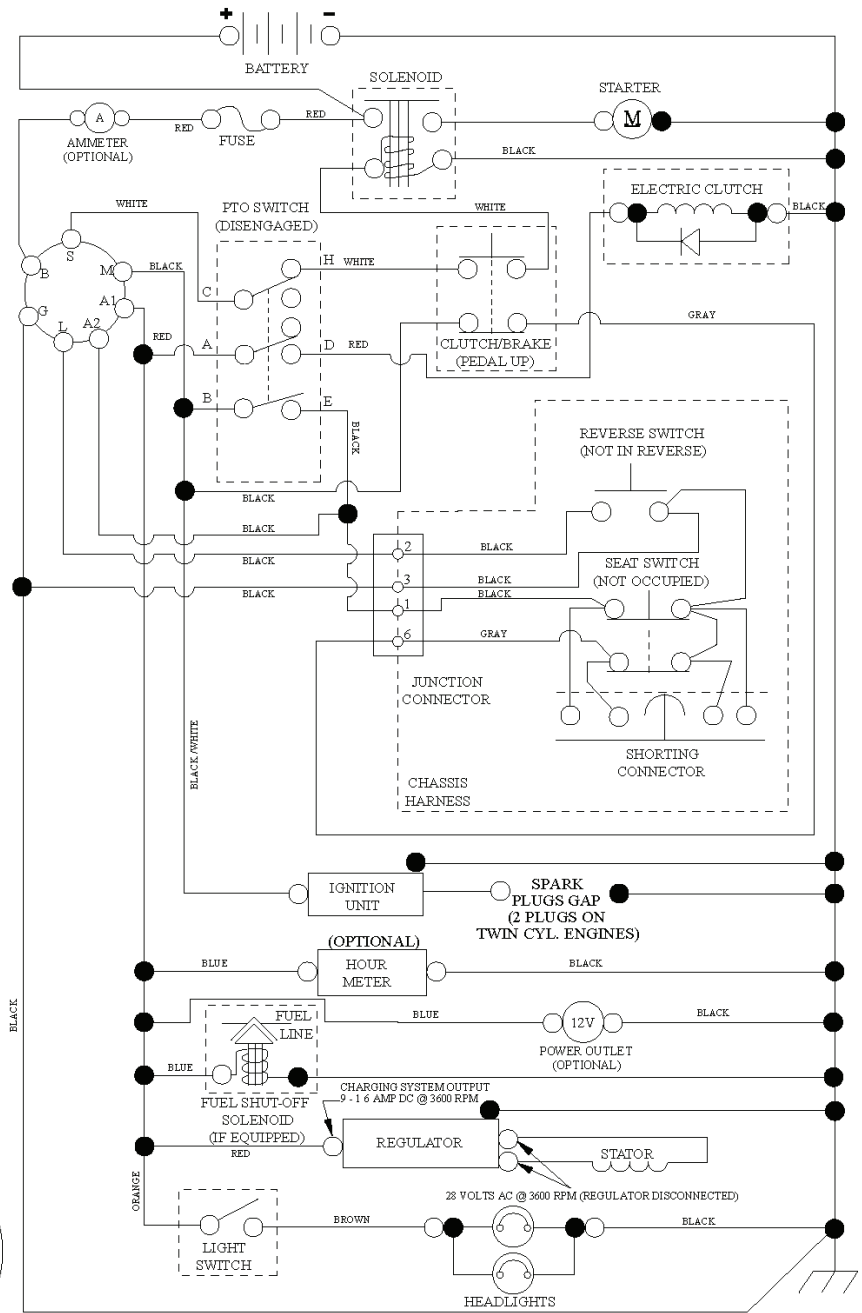


| REF. | PART NO. | DESCRIPTION | REMARK | QTY. | KIT |
|------|-----------|----------------|--------|------|-----|
| 1 | 583810001 | SERVICE KIT | | 1 | |
| 2 | 539131898 | SPINDLE | | 1 | |
| 3 | 532187690 | WASHER | | 1 | |
| 4 | 532173434 | PULLEY | | 1 | |
| 5 | 596134801 | HEXAGON NUT | | 1 | |
| 7 | 593649701 | DEFLECTOR ASSY | | 1 | |
| 8 | 587354701 | SPRING | | 1 | |
| 10 | 588811002 | BLADE | | 1 | |
| 11 | 532193003 | SCREW | | 1 | |
| 15 | 593824001 | STUD | | 1 | |
| 16 | 594944401 | NUT | | 1 | |
| 17 | 532196104 | PULLEY | | 1 | |
| 18 | 588812202 | ARM | | 1 | |
| 19 | 532193197 | PULLEY | | 1 | |
| 22 | 589527301 | WHEEL | | 1 | |
| 23 | 596434404 | BOLT | | 1 | |
| 26 | 588438301 | SCREW | | 1 | |
| 31 | 873900600 | NUT | | 1 | |
| 34 | 532178515 | WASHER | | 1 | |
| 36 | 587140502 | ARM | | 1 | |
| 39 | 596135701 | LOCK NUT | | 1 | |
| 40 | 532176066 | ROLLER | | 1 | |
| 41 | 594092501 | ROD | | 1 | |
| 42 | 532194208 | PIN | | 1 | |
| 50 | 532415598 | HOSE COUPLING | | 1 | |
| 53 | 599275701 | BELT | | 1 | |
| 54 | 532141043 | GUARD | | 1 | |
| 55 | 596240801 | BOLT | | 1 | |
| 56 | 596039201 | LOCK NUT | | 1 | |
| 57 | 587358401 | SPRING | | 1 | |
| 61 | 532443237 | ROD | | 1 | |
| 62 | 596133201 | WASHER | | 1 | |
| 63 | 596637301 | SCREW | SCREW | 1 | |
| 64 | 584953901 | BOLT | | 1 | |
| 67 | 532196106 | PULLEY | | 1 | |
| 68 | 599972501 | BOLT | | 1 | |
| 69 | 532196539 | BOLT | | 1 | |
| 70 | 595297001 | ROD | | 1 | |
| 71 | 532110452 | NUT | | 1 | |
| 73 | 588812402 | COVER | | 1 | |
| 74 | 532137729 | SCREW | | 1 | |
| 75 | 588813102 | COVER | | 1 | |
| 76 | 582541103 | BUMPER | | 1 | |
| 77 | 582360501 | BUSHING | | 1 | |
| 79 | 596136201 | BOLT | | 1 | |
| 80 | 532170165 | BOLT | | 1 | |
| 81 | 532105304 | HUB CAP | | 1 | |
| 84 | 596952201 | PLUG | | 1 | |

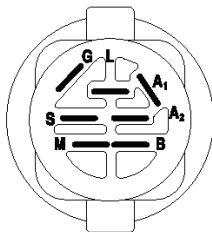


lift-tex_24

| REF. | PART NO. | DESCRIPTION | REMARK | QTY. | KIT |
|------|-----------|-------------|--------|------|-----|
| 2 | 532422027 | SHAFT | | 1 | |
| 3 | 596270601 | LEVER | | 1 | |
| 7 | 580962301 | GRIP | | 1 | |
| 10 | 532196314 | SPRING | | 1 | |
| 41 | 589464902 | NUT | | 1 | |
| 87 | 532194209 | SPRING | | 1 | |
| 88 | 532410710 | SPRING | | 1 | |
| 89 | 819191912 | WASHER | | 1 | |
| 91 | 589464805 | LINK ASSY | | 1 | |
| 96 | 593842101 | BUSHING | | 1 | |
| 97 | 817000612 | SCREW | | 1 | |
| 98 | 574822501 | SUSPENSION | | 1 | |
| 114 | 873360700 | NUT | | 1 | |

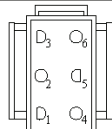


PTO SWITCH
(MATING SIDE)

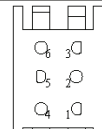


IGNITION SWITCH

| POSITION | CIRCUIT | "MAKE" |
|--------------|------------|--------|
| OFF | M+G+A1 | |
| RUN/OVERRIDE | B+A1 | |
| RUN | B+A1 | L+A2 |
| START | B + S + A1 | |



CHASSIS HARNESS
CONNECTOR
(MATING SIDE)



DASH HARNESS
CONNECTOR

WIRING INSULATED CLIPS
NOTE: IF WIRING INSULATED
CLIPS WERE REMOVED FOR
SERVICING OF UNIT, THEY
SHOULD BE RE-INSTALLED TO
PROPERLY SECURE YOUR
WIRING.

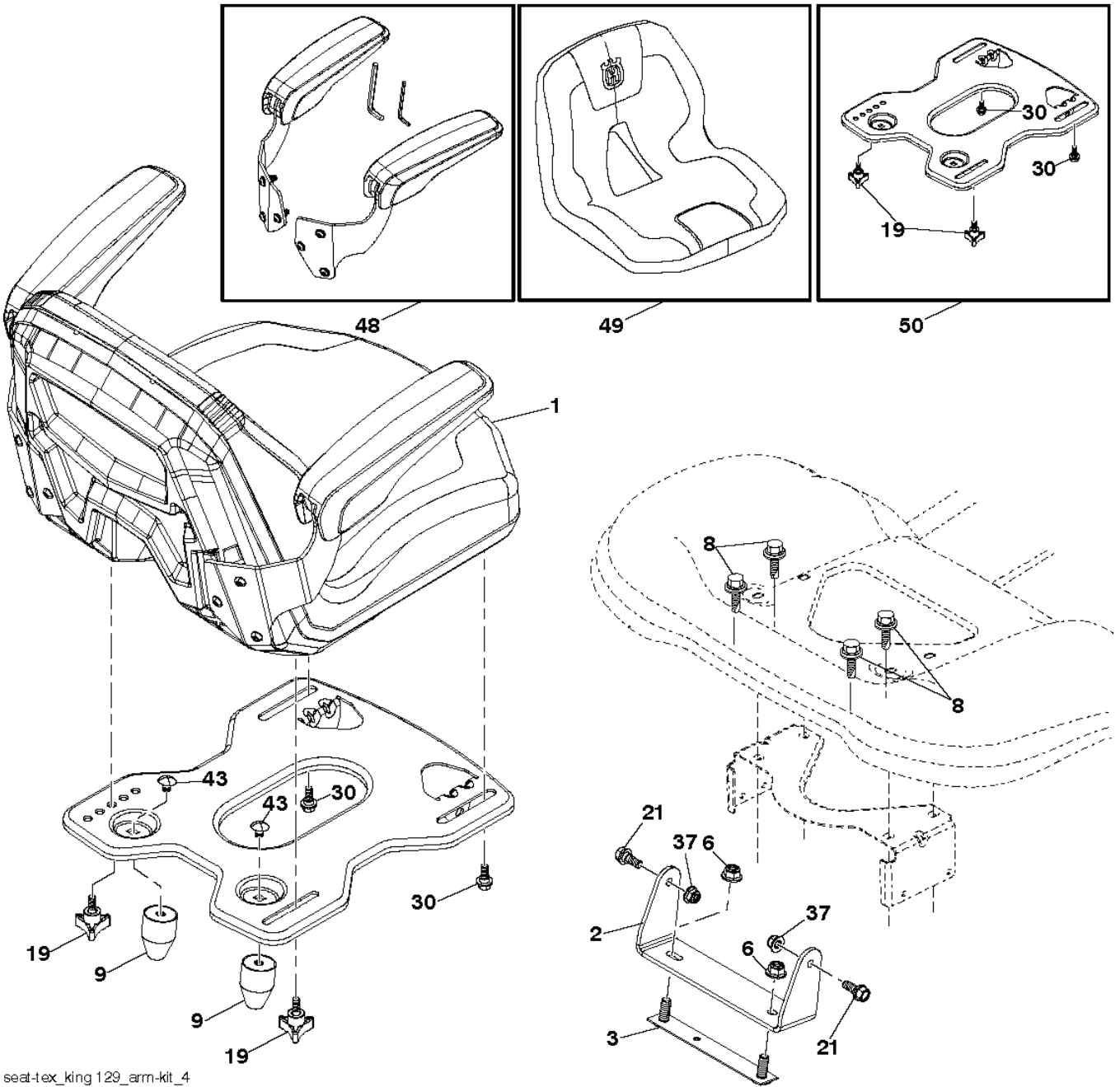


NON-REMOVABLE
CONNECTIONS



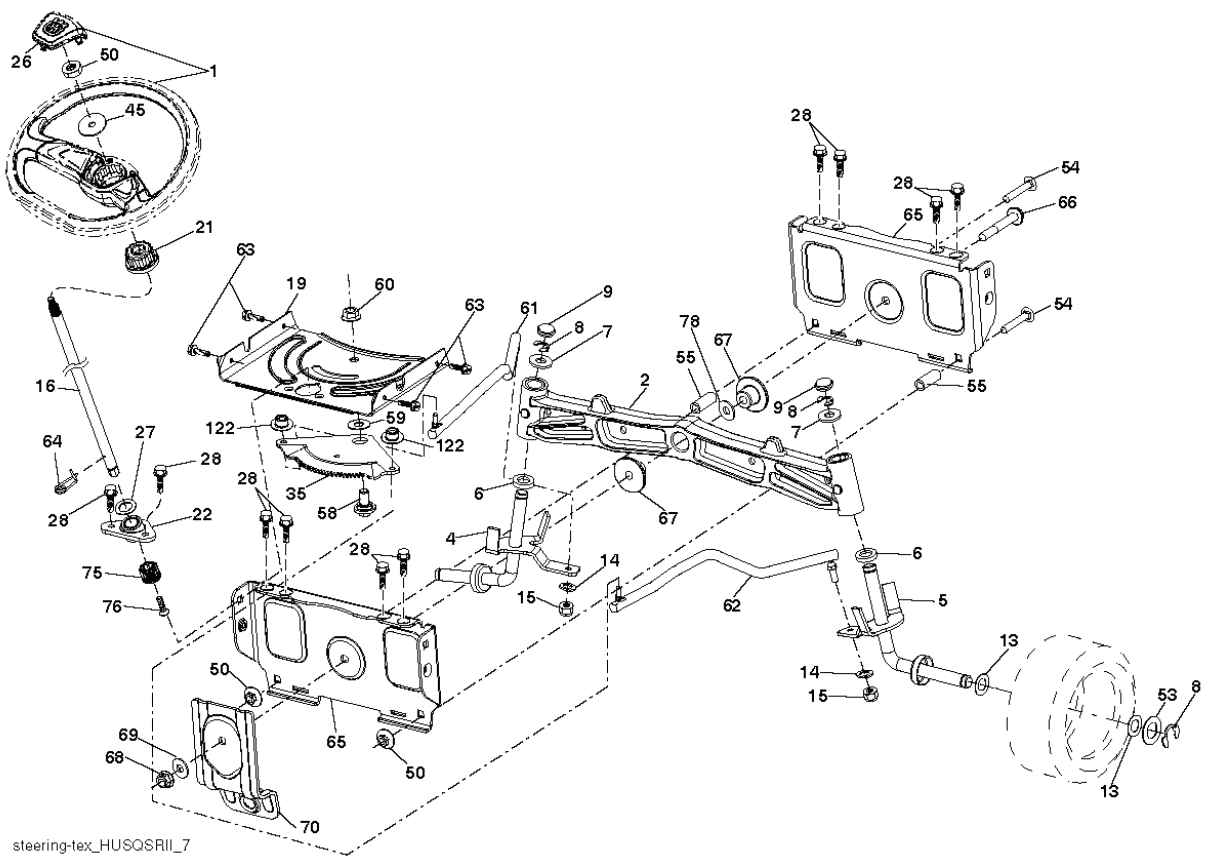
REMOVABLE
CONNECTIONS

| REF. | PART NO. | DESCRIPTION | REMARK | QTY. | KIT |
|------|----------|-----------------|--------|------|-----|
| | 00000000 | W/O DESCRIPTION | | 1 | |



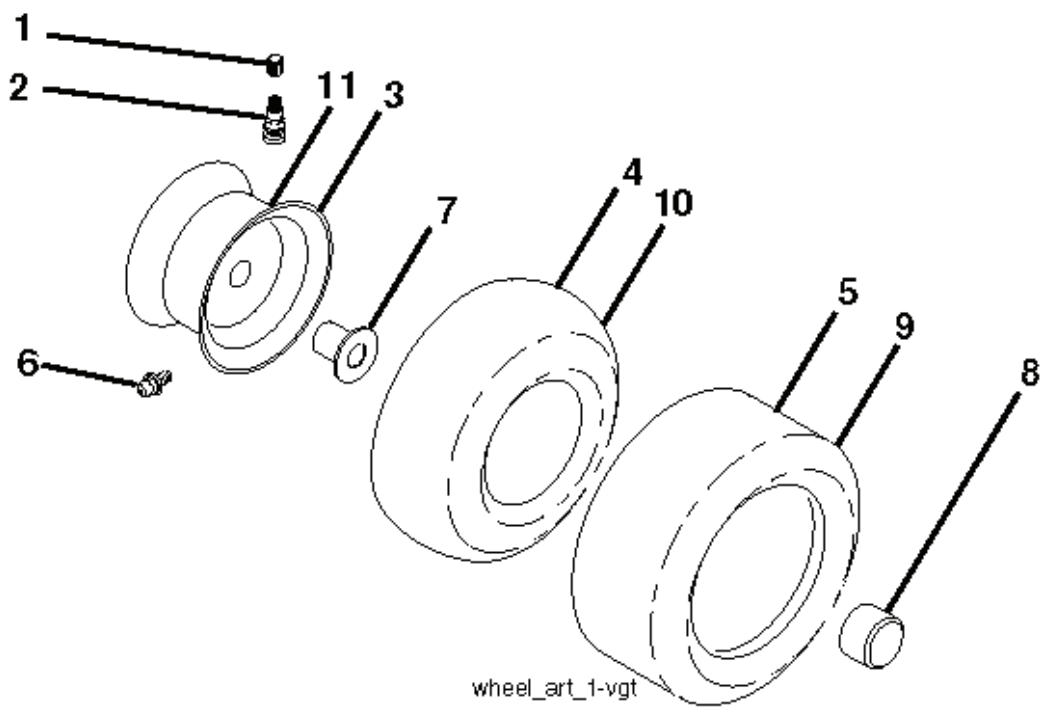
seat-tex_king 129_arm-kit_4

| REF. | PART NO. | DESCRIPTION | REMARK | QTY. | KIT |
|------|-----------|-------------|--|------|-----|
| 1 | 597658102 | SEAT | | 1 | |
| 2 | 597329902 | BRACKET | | 1 | |
| 3 | 590777602 | BRACKET | | 1 | |
| 6 | 521996502 | NUT | | 1 | |
| 8 | 532171877 | BOLT | | 1 | |
| 9 | 597785101 | BUMPER | | 1 | |
| 19 | 597783101 | KNOB | | 1 | |
| 21 | 596240701 | BOLT | | 1 | |
| 30 | 597781801 | BOLT | | 1 | |
| 37 | 594944401 | NUT | | 1 | |
| 43 | 597869301 | BOLT | | 1 | |
| 48 | 597658203 | SERVICE KIT | | 1 | |
| 49 | 597959401 | COVER | | 1 | |
| 50 | 598001601 | SERVICE KIT | kit, includes seat pan, knobs, and bolts | 1 | |



steering-tex_HUSQSRII_7

| REF. | PART NO. | DESCRIPTION | REMARK | QTY. | KIT |
|------|-----------|-----------------|---|------|-----|
| 1 | 597866101 | SERVICE KIT | kit, includes steering wheel and insert cap | 1 | |
| 2 | 532195968 | SHAFT | | 1 | |
| 4 | 532403089 | SPINDLE SHAFT | | 1 | |
| 5 | 532403090 | SPINDLE SHAFT | | 1 | |
| 6 | 532006266 | WASHER | | 1 | |
| 7 | 532121748 | WASHER | | 1 | |
| 8 | 812000029 | RETAINER RING | | 1 | |
| 9 | 532121232 | HUB CAP | | 1 | |
| 13 | 532121749 | WASHER | | 1 | |
| 14 | 596238701 | WASHER | | 1 | |
| 15 | 873540600 | NUT | | 1 | |
| 16 | 587016002 | SHAFT | | 1 | |
| 19 | 532194729 | PLATE | | 1 | |
| 21 | 586840201 | ADAPTER | | 1 | |
| 22 | 585029802 | BEARING | | 1 | |
| 26 | 594949101 | CAP | | 1 | |
| 27 | 596933401 | WASHER | | 1 | |
| 28 | 817000612 | SCREW | | 1 | |
| 35 | 532194732 | PLATE | | 1 | |
| 45 | 587016401 | WASHER | | 1 | |
| 50 | 873900600 | NUT | | 1 | |
| 53 | 532188967 | WASHER | | 1 | |
| 54 | 874760636 | BOLT | | 1 | |
| 55 | 532414736 | SPACER | | 1 | |
| 58 | 532194747 | BOLT | | 1 | |
| 59 | 532194748 | WASHER | | 1 | |
| 60 | 873971000 | NUT | | 1 | |
| 61 | 597070202 | LINKAGE | | 1 | |
| 62 | 597070302 | LINKAGE | | 1 | |
| 63 | 817000512 | SCREW | | 1 | |
| 64 | 532199849 | SPRING RETAINER | | 1 | |
| 65 | 532194734 | BRACKET | | 1 | |
| 66 | 871020748 | BOLT | | 1 | |
| 67 | 532194737 | BUSHING | | 1 | |
| 68 | 873900700 | NUT | | 1 | |
| 69 | 532199162 | WASHER | | 1 | |
| 70 | 585338801 | BRACKET | | 1 | |
| 75 | 580683701 | PINION | | 1 | |
| 76 | 580683601 | SCREW | | 1 | |
| 78 | 532057079 | WASHER | | 1 | |
| 122 | 532444962 | CAP | | 1 | |



| REF. | PART NO. | DESCRIPTION | REMARK | QTY. | KIT |
|------|-----------|--------------|---------------------|------|-----|
| 1 | 532059192 | CAP VALVE | | 1 | |
| 2 | 532065139 | NIPPLE | | 1 | |
| 3 | 532181839 | RIM ASSY | FRONT | 1 | |
| 4 | 532059904 | HOSE | (Service Item Only) | 1 | |
| 5 | 532161024 | TIRE FRONT | FRONT (16 X 6.5-8) | 1 | |
| 6 | 532000278 | NIPPLE | (Front Wheel Only) | 1 | |
| 7 | 532009040 | BEARING | (Front Wheel Only) | 1 | |
| 8 | 532175039 | HUB CAP | | 1 | |
| 9 | 532170456 | TIRE | REAR (20 X 10-8) | 1 | |
| 10 | 532007152 | TUBE | (Service Item Only) | 1 | |
| 11 | 532138337 | RIM SPROCKET | REAR | 1 | |
| -- | 532144334 | SEALING FOAM | | 1 | |