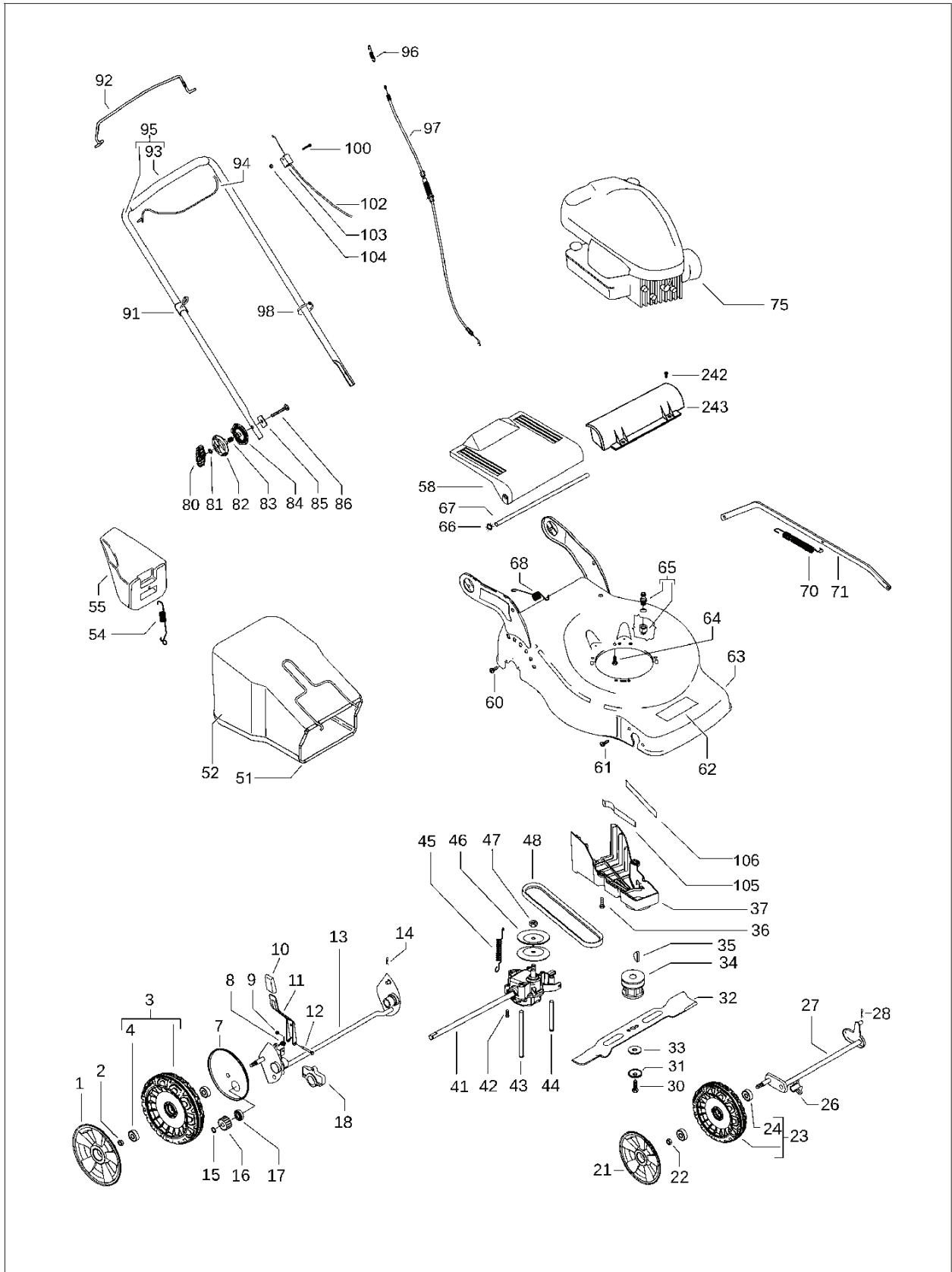


LC146 S

SPARE PARTS LIST

Husqvarna



| REF. | PART NO. | DESCRIPTION | REMARK | QTY. | KIT |
|------|-----------|--------------------|-----------------|------|-----|
| 1 | 544443901 | HUB CAP | | 2 | |
| 2 | 504857801 | NUT | | 2 | |
| 3 | 544916904 | WHEEL ASSY | | 2 | |
| 4 | 531208778 | BEARING | | 4 | |
| 7 | 504827301 | DUST COVER | | 2 | |
| 8 | 583951302 | SPRING | | 1 | |
| 9 | 531208492 | NUT | | 1 | |
| 10 | 574610501 | KNOB | | 1 | |
| 11 | 581178601 | LEVER ASSY | | 1 | |
| 12 | 538235807 | SCREW | | 1 | |
| 13 | 504800101 | REAR AXLE | | 1 | |
| 14 | 531206653 | PIN | | 1 | |
| 15 | 531208772 | WASHER | | 2 | |
| 16 | 544342301 | PINION | | 2 | |
| 17 | 531208778 | BEARING | | 2 | |
| 18 | 531205944 | SUPPORT | | 2 | |
| 21 | 544444001 | HUB CAP | | 1 | |
| 22 | 504857801 | NUT | | 2 | |
| 23 | 544917302 | WHEEL ASSY | | 2 | |
| 24 | 531208778 | BEARING | | 4 | |
| 26 | 577384201 | SUPPORT | | 2 | |
| 27 | 504856501 | FRONT AXLE ASSY | | 1 | |
| 28 | 531206653 | PIN | | 1 | |
| 30 | 531208008 | SCREW | | 1 | |
| 31 | 531207237 | WASHER | | 1 | |
| 32 | 581188910 | MOWER BLADE | | 1 | |
| 33 | 531207243 | WASHER | | 1 | |
| 34 | 581843001 | BLADE SUPPORT | | 1 | |
| 35 | 505290901 | KEY | | 1 | |
| 36 | 531207856 | SCREW | | 3 | |
| 37 | 544462202 | BELT GUARD | | 1 | |
| 41 | 544343203 | GEARBOX | | 1 | |
| 42 | 510037501 | SCREW | | 2 | |
| 43 | 544934401 | BELT GUIDE | | 1 | |
| 44 | 544934301 | BELT GUIDE | | 1 | |
| 45 | 544934701 | SPRING | | 1 | |
| 46 | 504547901 | PULLEY | | 2 | |
| 47 | 504548001 | NUT | | 1 | |
| 48 | 504034801 | BELT | | 1 | |
| 51 | 531213467 | FRAME | | 1 | |
| 52 | 531212365 | BAG | | 1 | |
| 54 | 522857701 | SPRING | | 1 | |
| 55 | 531210617 | MULCH PLUG | | 1 | |
| 58 | 531205981 | COVER | | 1 | |
| 60 | 531206677 | SCREW | | 2 | |
| 61 | 525433101 | SCREW | | 4 | |
| 62 | 531212478 | DECAL | | 1 | |
| 63 | 531213897 | DECK | | 1 | |
| 64 | 531212851 | SCREW | | 3 | |
| 65 | 531205848 | CONNECTOR | | 1 | |
| 66 | 584816903 | LOCKWASHER | | 2 | |
| 67 | 531211441 | TIE ROD | | 1 | |
| 68 | 531211840 | SPRING | | 1 | |
| 70 | 531213783 | SPRING | | 1 | |
| 71 | 580963302 | ROD | | 1 | |
| 75 | | | | 0 | |
| 80 | 531205840 | KNOB | | 2 | |
| 81 | 531204922 | WASHER | | 2 | |
| 82 | 531211474 | SEGMENT | | 2 | |
| 83 | 531211476 | SPRING | | 2 | |
| 84 | 531211473 | SEGMENT | | 2 | |
| 85 | 531211581 | PLATE | | 2 | |
| 86 | 531211480 | SCREW | | 2 | |
| 91 | 578399301 | STARTER ROPE GUIDE | | 1 | |
| 92 | 531212676 | LOOP | | 1 | |
| 93 | 531210725 | PROTECTOR | | 1 | |
| 94 | 531205863 | LOOP | | 1 | |
| 95 | 581783002 | HANDLE ASSY | | 1 | |
| 96 | 531210573 | SPRING | | 1 | |
| 97 | 544908001 | CABLE | | 1 | |
| 98 | 531205581 | CLIP | | 3 | |
| 100 | 531206346 | SCREW | | 1 | |
| 102 | 531213522 | BRAKE WIRE | | 1 | |
| 103 | 531208043 | BRACKET | | 1 | |
| 104 | 531205213 | NUT | | 1 | |
| 105 | 504046101 | WEAR PROTECTION | For 96515920105 | 1 | |
| 106 | 544462501 | WEAR PROTECTION | For 96515920105 | 1 | |
| 242 | 576136006 | SCREW | For 96515920106 | 2 | |

| REF. | PART NO. | DESCRIPTION | REMARK | QTY. | KIT |
|------|-----------|--------------|-----------------|------|-----|
| 242 | 576047401 | SCREW CRPANT | For 96515920105 | 1 | |
| 243 | 579300901 | SEAL | | 1 | |