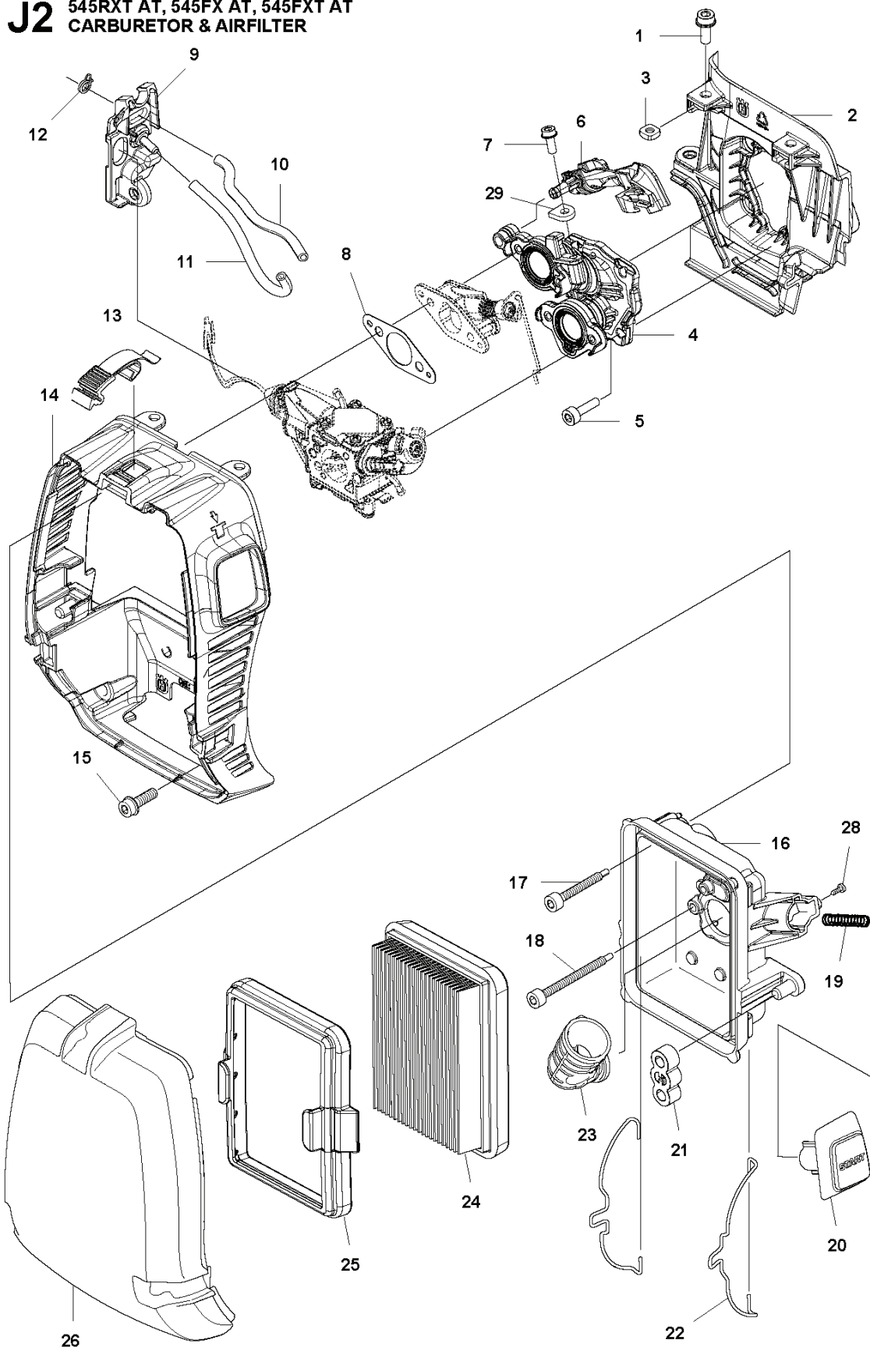


545 RXT AT

---

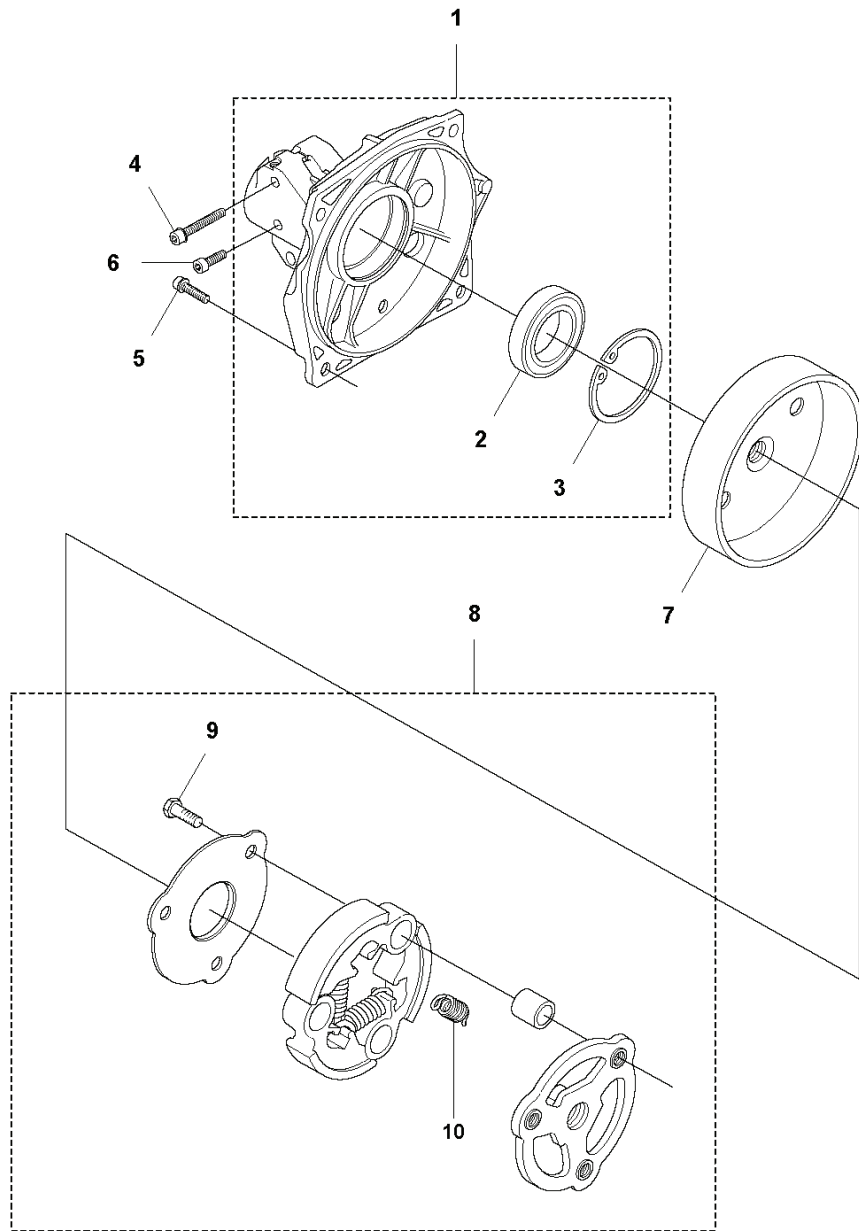
# **SPARE PARTS LIST**

# J2 545RXT AT, 545FX AT, 545FXT AT CARBURETOR & AIRFILTER



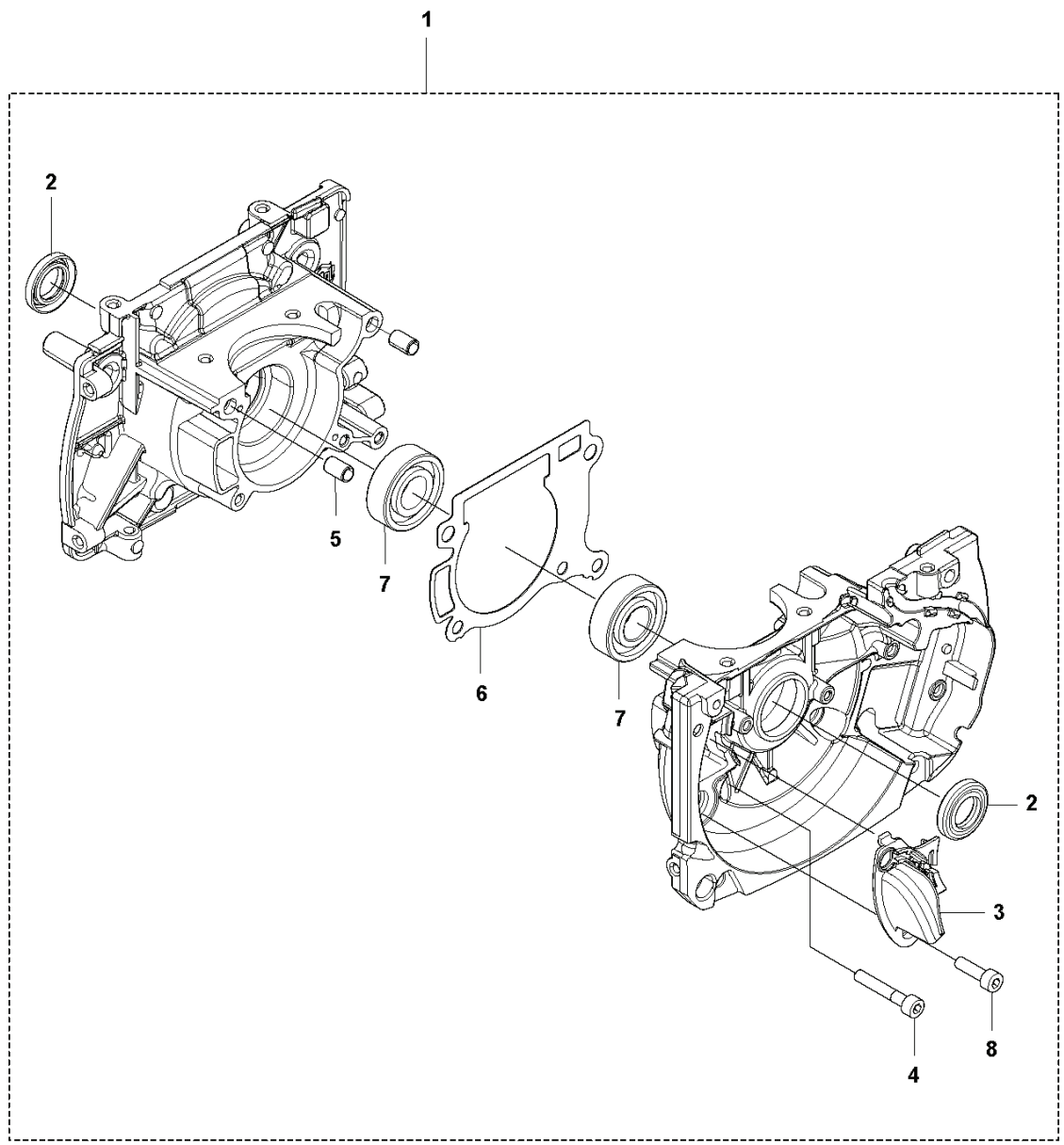
REF.	PART NO.	DESCRIPTION	REMARK	QTY.	KIT
1	503200712	SCREW IHSCFM		2	
2	579435501	INSULATION WALL		1	
3	503226504	SQUARE NUT		2	2
4	580832802	INLET PIPE ASSY		1	
5	503202516	SCREW IHSCM		4	
6	579480601	WIRE HOLDER		1	
7	503202008	SCREW IHSCM		1	
8	501169301	GASKET		1	
9	579480901	GROMMET		1	
10	537042403	FUEL HOSE		1	
11	581756118	FUEL HOSE		1	
12	502635501	HOSE CLAMP		1	
13	503740102	SNAP LOCKING		3	14
14	579450301	FRAME ASSY		1	
15	503200774	SCREW IHSCFM		2	
16	579482601	HOLDER		1	
17	583937302	SCREW IHSCM		2	
18	583937301	SCREW IHSCM		2	
19	582087501	SPRING		1	
20	581865001	START BUTTON		1	
21	580802301	SUPPORT		2	
22	579484901	SHACKLE		2	
23	579483201	AIR INTAKE		1	
24	588956601	AIR FILTER	Paper	1	
25	501186801	FRAME		1	
26	579452401	PROTECTIVE COVER		1	
28	724122201	SCREW CRPANM		1	
29	574404401	LOCK NUT		1	

**F** 545RXT AT, 545FX AT, 545FXT AT  
CLUTCH



REF.	PART NO.	DESCRIPTION	REMARK	QTY.	KIT
1	503954105	CLUTCH COVER	from s/n 20194300361 - . For older products use kit 5978421-01	1	
2	738220219	BALL BEARING		1	1
3	735313310	CIRCLIP		1	1
4	503200230	SCREW IHSCFM		2	
5	503200220	SCREW IHSCFM		4	
6	503200770	SCREW IHSCFM	from s/n 20194300361 -	1	
6	503202001	SCREW IHSCM	up to s/n - 20194300360.	1	
7	544900701	CLUTCH DRUM ASSY		1	
8	594512301	CLUTCH ASSY		1	
9	503201802	SCREW EHHM		3	8
10	505435302	CLUTCH SPRING		3	8

**P** 545RXT AT, 545FX AT, 545FXT AT  
CRANKCASE

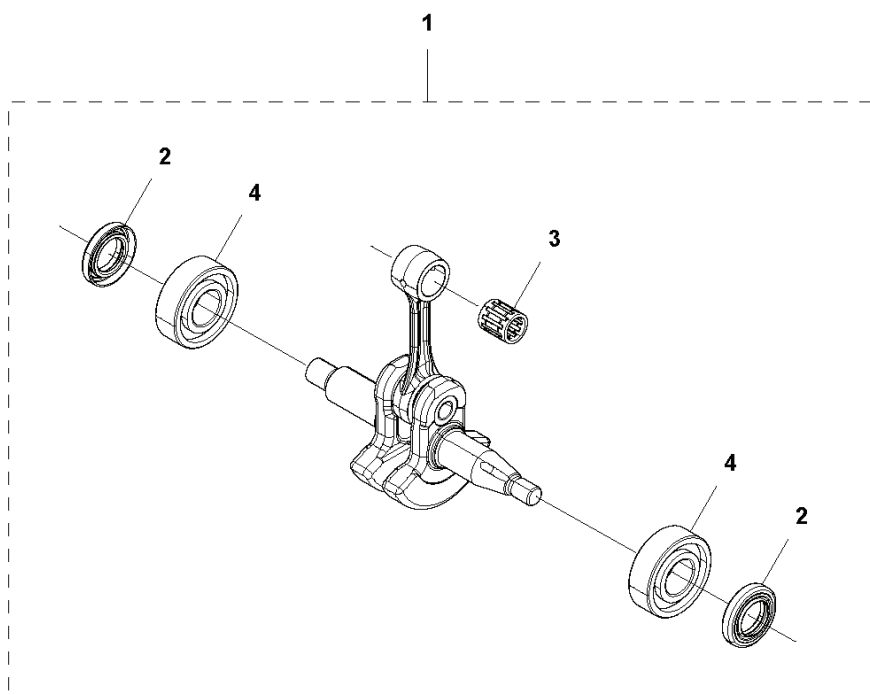


---

REF.	PART NO.	DESCRIPTION	REMARK	QTY.	KIT
1	589772602	CRANKCASE KIT		1	
2	589210301	RADIAL SEAL		2	1
3	579488901	NOZZLE	up to s/n - 20202200005.	1	1
3	579488902	NOZZLE	from s/n 20202200006 -	1	
4	503200230	SCREW IHSCFM		5	1
5	593806001	GUIDE BUSHING		2	1
6	593777501	GASKET		1	1
7	503250801	BEARING		2	1
8	725532956	SCREW IHSCM	from s/n 20202200006 -	1	1



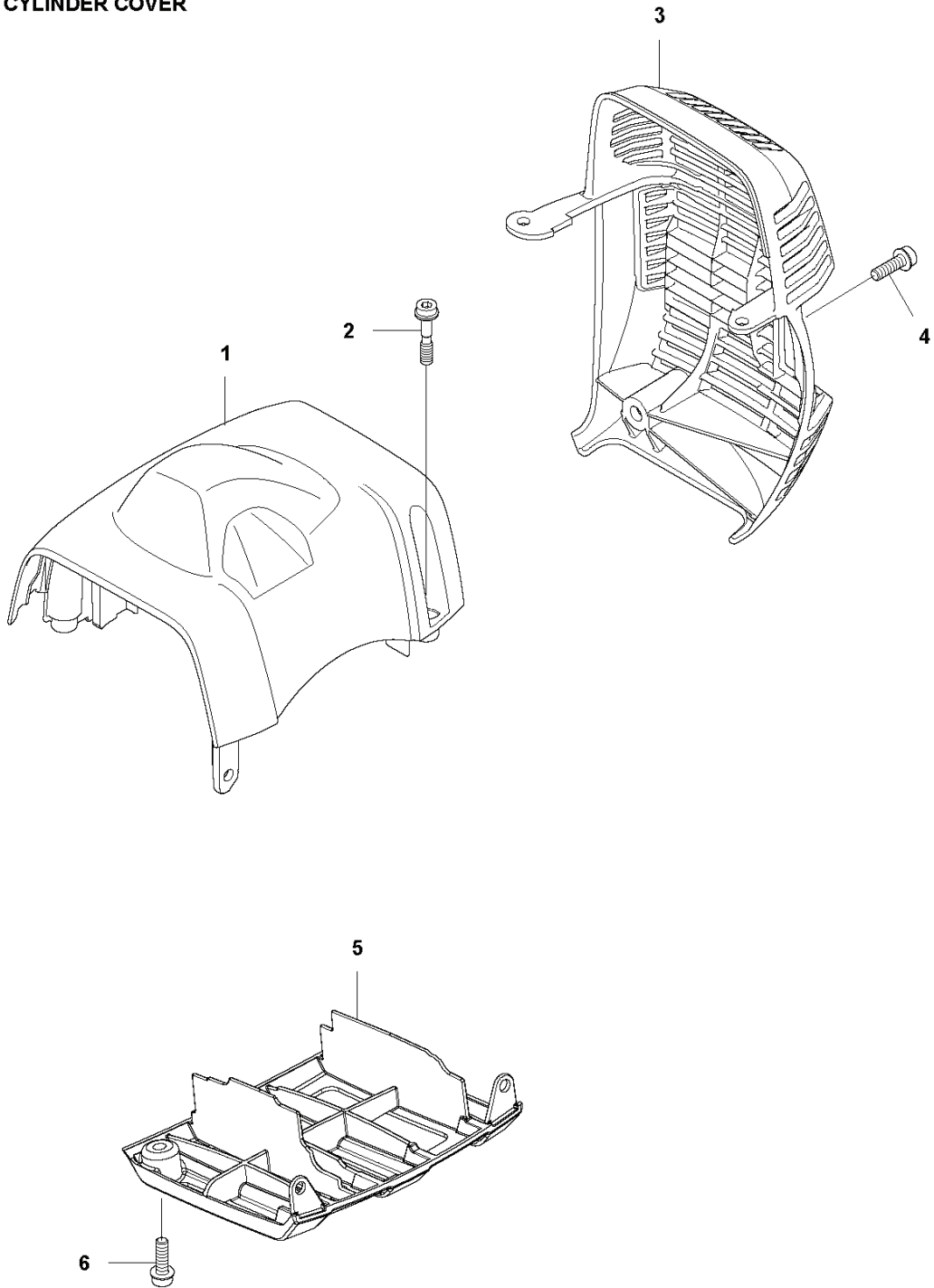
**N** 545RXT AT  
CRANK SHAFT



---

REF.	PART NO.	DESCRIPTION	REMARK	QTY.	KIT
1	577274802	CRANKSHAFT KIT		1	
2	589210301	RADIAL SEAL		2	1
3	503256301	NEEDLE BEARING		1	1
4	503250801	BEARING		2	1

**G** 545RXT AT  
CYLINDER COVER

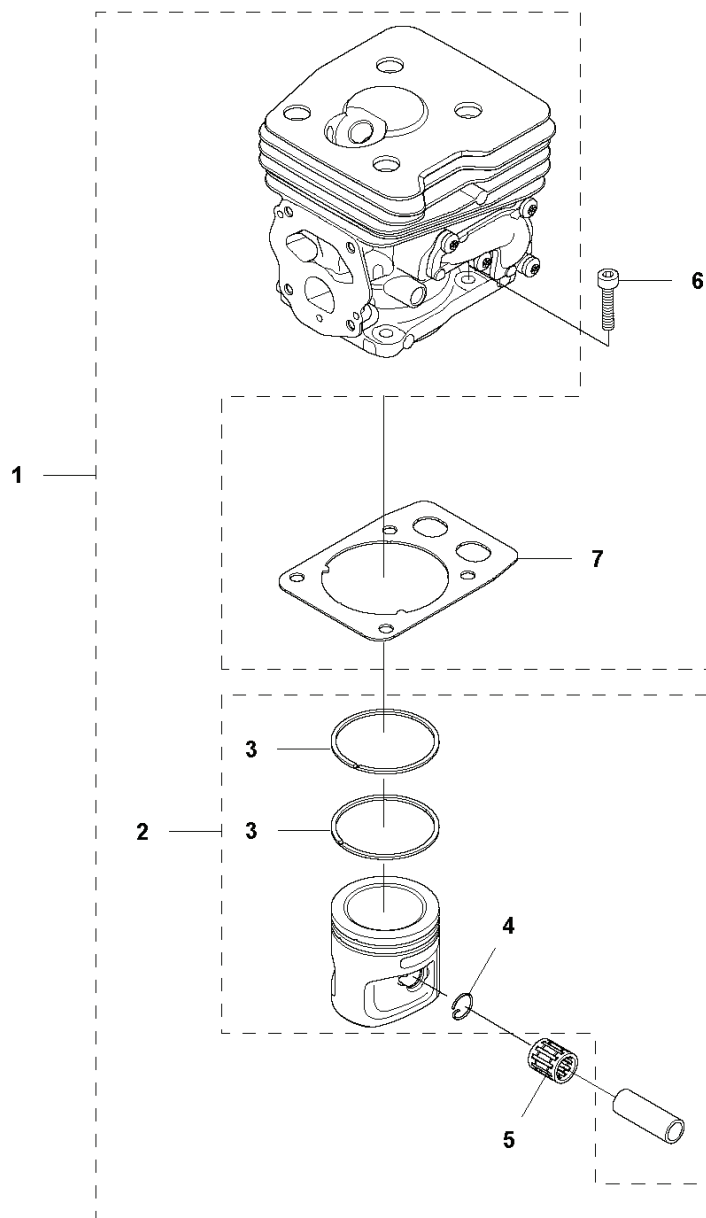


8 — **545 RXT**  
AutoTune™

---

REF.	PART NO.	DESCRIPTION	REMARK	QTY.	KIT
1	579450401	CYLINDER COVER		1	
2	574477004	SCREW IHSCFMO		3	
3	576920005	HEAT PROTECTOR		1	
4	503200774	SCREW IHSCFM		1	
5	510422201	PROTECTIVE COVER		1	
6	503200774	SCREW IHSCFM		2	
8	582805401	LABEL		1	

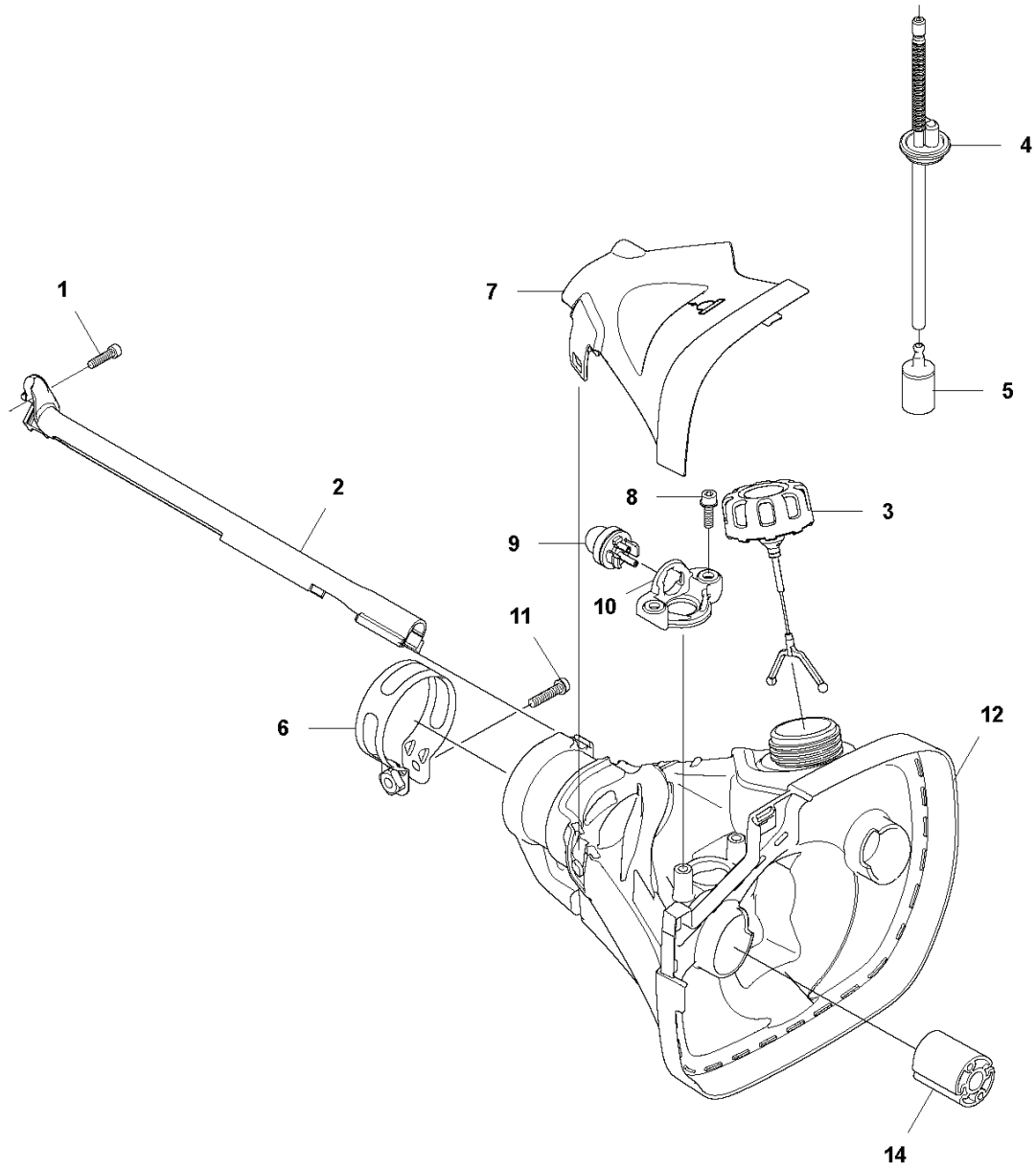
**M** 545RXT AT  
CYLINDER & PISTON



---

REF.	PART NO.	DESCRIPTION	REMARK	QTY.	KIT
1	577274903	CYLINDER KIT		1	
2	576282702	PISTON ASSY		1	1
3	576283001	PISTON RING		2	1.2
4	737441000	SNAP RING		1	1.2
5	503256301	NEEDLE BEARING		1	1
6	725533355	SCREW IHSCM		4	
7	587153401	GASKET		1	

**E** 545RXT AT  
FUEL TANK



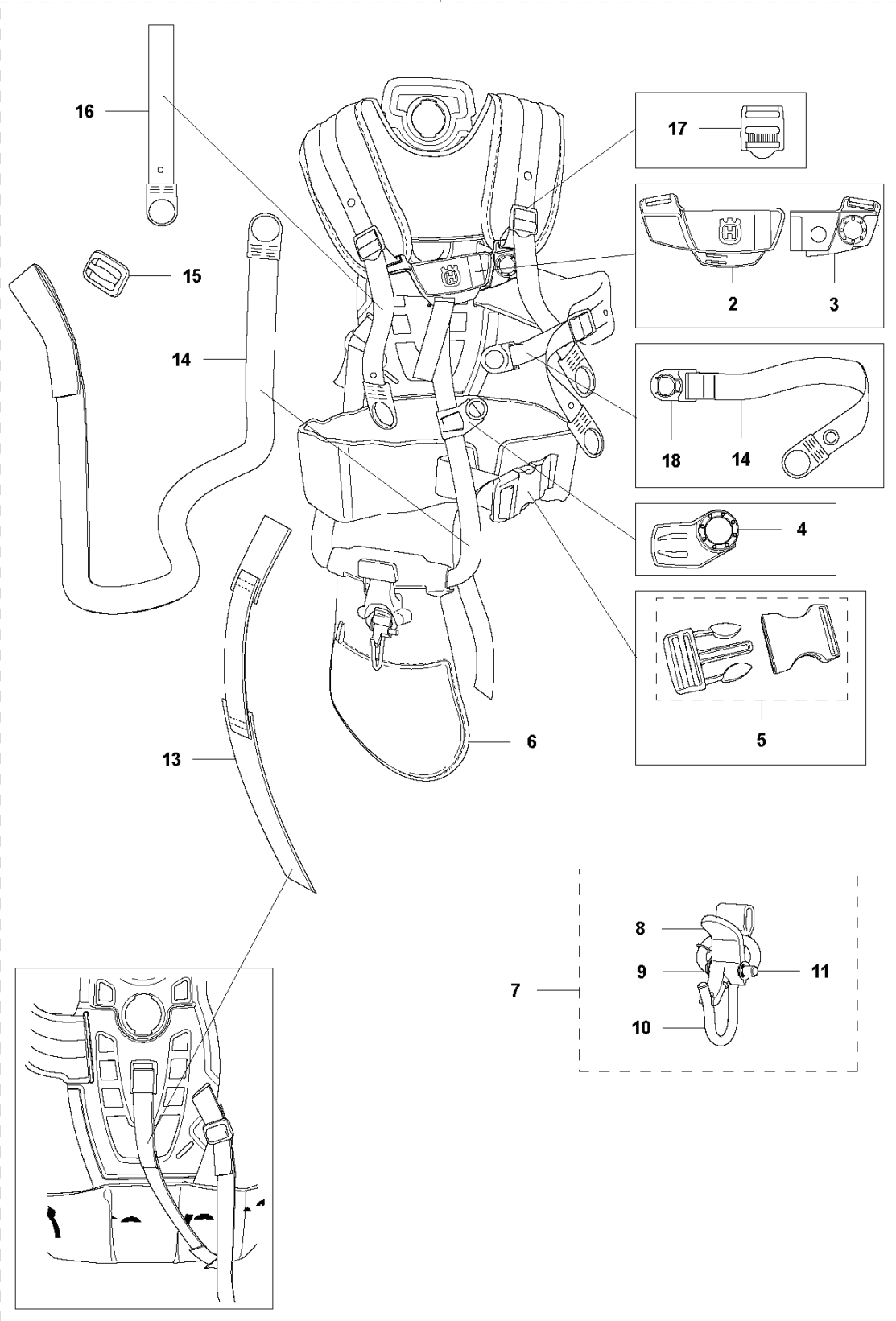
---

REF.	PART NO.	DESCRIPTION	REMARK	QTY.	KIT
1	503200216	SCREW IHSCFM		1	
2	537172501	COVER		1	
3	504113201	TANK CAP		1	
4	544215401	FUEL HOSE		1	
5	503443201	FUEL FILTER		1	
6	581848901	CLAMP		1	
7	580771001	COVER LID		1	
8	503217516	SCREW IHSCFT		2	
9	503936601	PURGE		1	
10	544215301	BRACKET		1	
11	503200302	SCREW IHSCFM		1	
12	580770801	FUEL TANK ASSY		1	
14	510208701	ANTIVIBRATION ELEMENT		1	



**S2** 545RXT AT  
BALANCE XT HARNESS

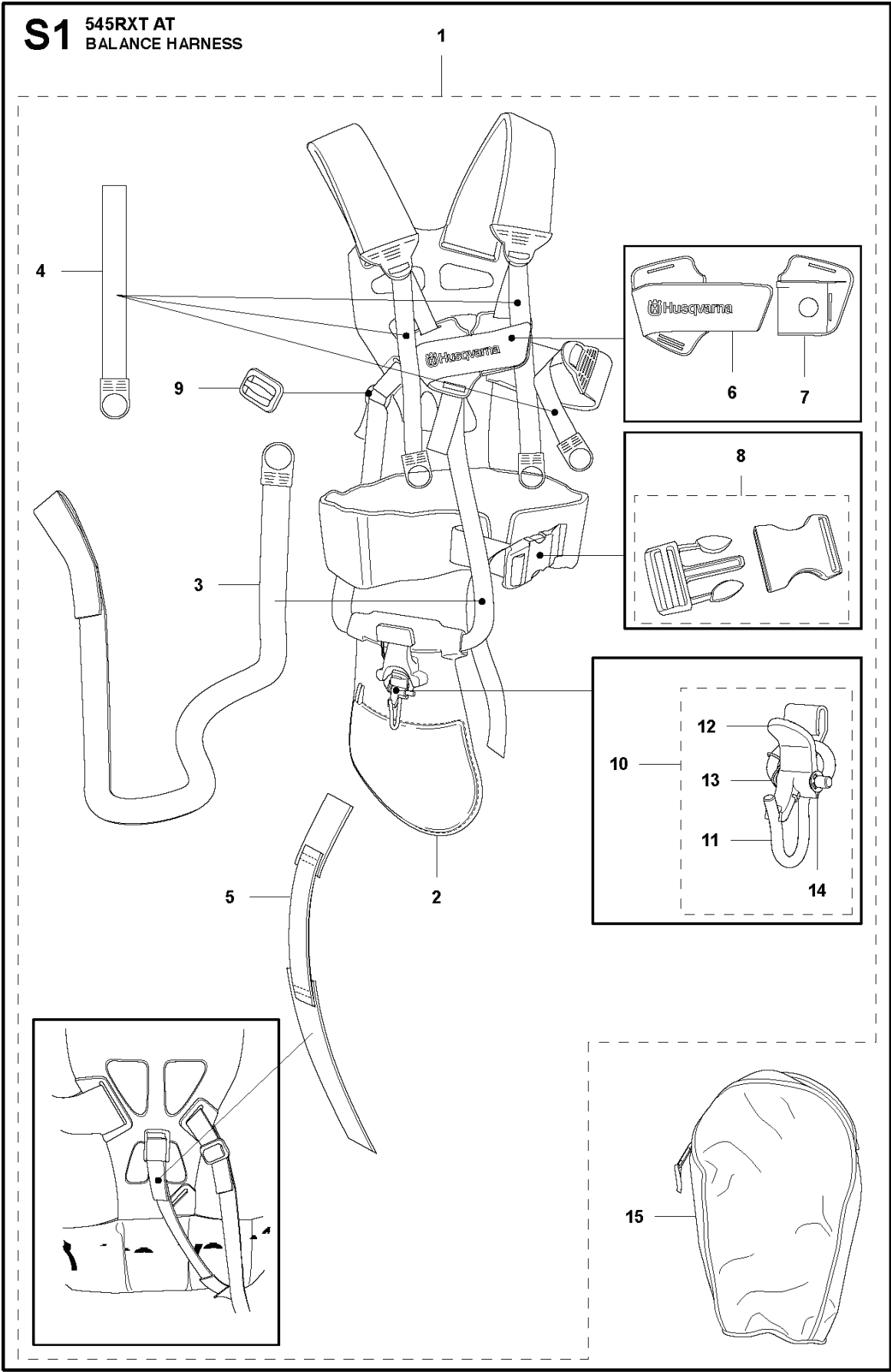
1



---

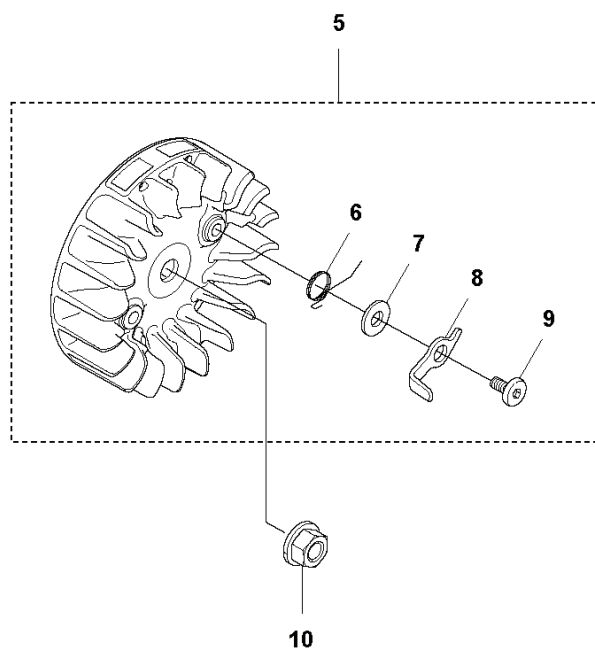
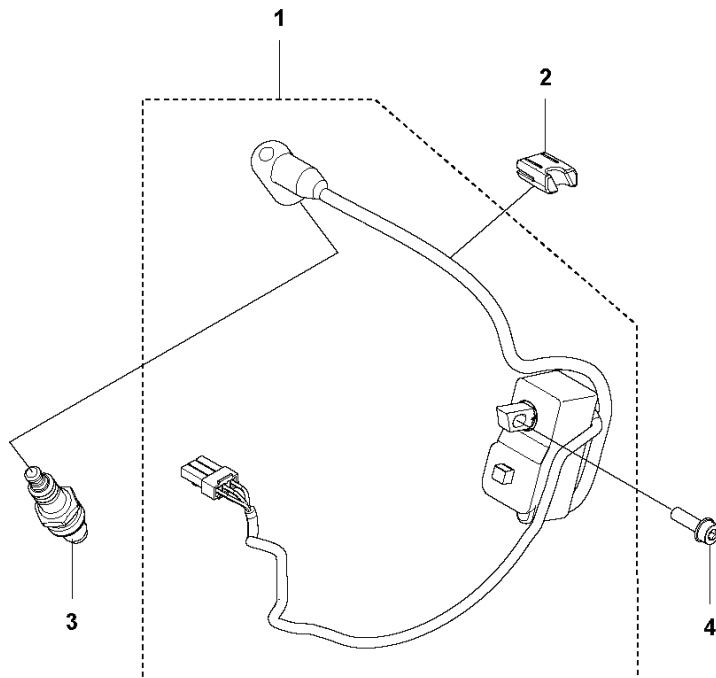
REF.	PART NO.	DESCRIPTION	REMARK	QTY.	KIT
1	578449801	HARNES		1	
2	504545201	BUCKLE		1	
3	504545101	BUCKLE		3	1
4	504637501	SNAP LOCKING		1	1
5	537331501	BUCKLE		1	1
6	544901701	HIP PAD		1	1
7	544960702	WELT HOOK		1	1
8	502023002	LOCK		1	1.7
9	586341001	SPRING		1	1.7
10	502022902	HOOK		1	1.7
11	735310920	E-CLIP		1	1.7
13	537153501	STRAP		1	1
14	503996104	BAND		1	1
15	537287001	BUCKLE		1	1
16	503996107	BAND		1	
17	505444601	BUCKLE		1	
18	504637401	SNAP LOCKING		1	

**S1** 545RXT AT  
BALANCE HARNESS



REF.	PART NO.	DESCRIPTION	REMARK	QTY.	KIT
1	578449701	HARNESS		1	
2	544901701	HIP PAD		1	1
3	503996103	BAND		1	1
4	503996101	BAND		3	1
5	537153501	STRAP		1	1
6	537288401	BUCKLE		1	1
7	537288301	BUCKLE		1	1
8	537331501	BUCKLE		1	1
9	537287001	BUCKLE		1	1
10	544960702	WELT HOOK		1	1
11	502022902	HOOK		1	1, 10
12	502023002	LOCK		1	1, 10
13	586341001	SPRING		1	1, 10
14	735310920	E-CLIP		1	1, 10
15	537306601	BAG	Triobalance Tool bag	1	

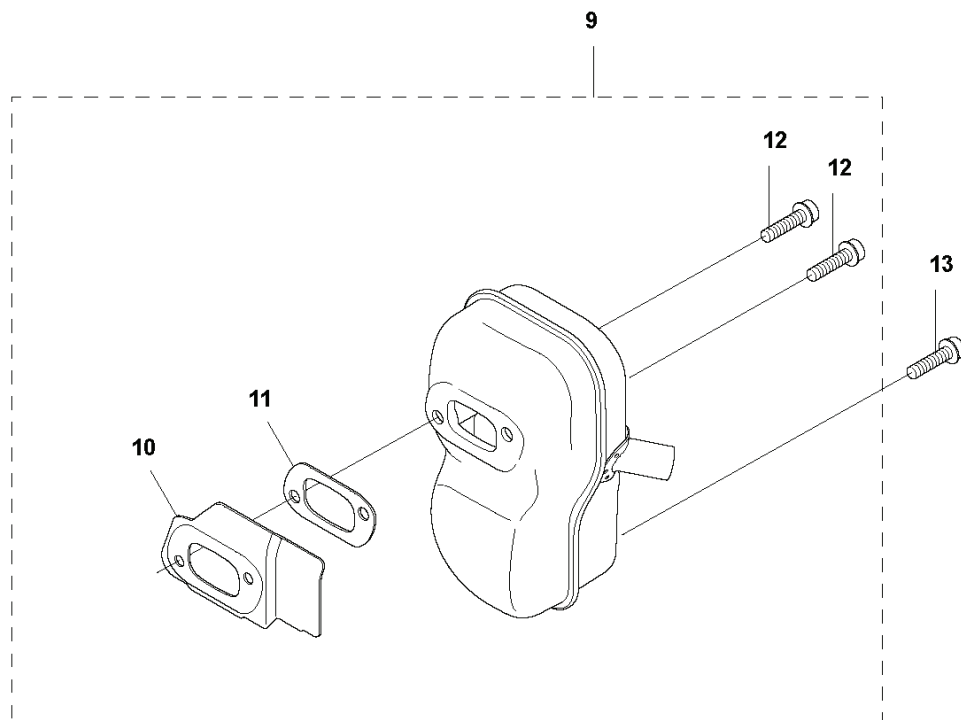
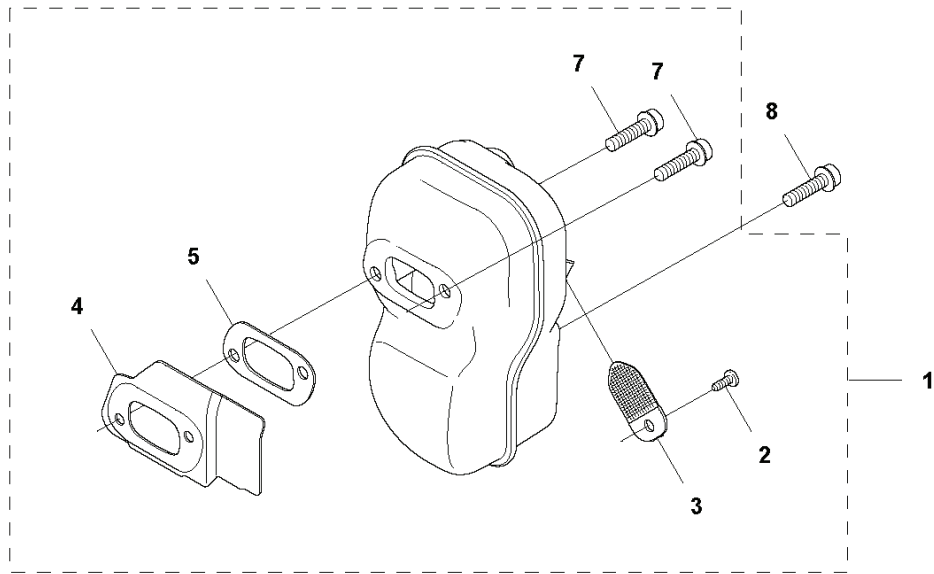
**L1** 545RXT AT, 545FX AT  
IGNITION SYSTEM



---

REF.	PART NO.	DESCRIPTION	REMARK	QTY.	KIT
1	582723201	IGNITION MODULE ASSY		1	
2	593247001	CABLE GUIDE		1	
3	574519601	SPARK PLUG		1	
4	503200774	SCREW IHSCFM		2	
5	578126301	FLYWHEEL ASSY		1	
6	503812902	SPRING		2	5
7	503230042	WASHER		2	5
8	503812401	STARTER PAWL		2	5
9	501819903	SCREW		2	5
10	503220401	NUT		1	

# H1 545RXT AT, 545FX AT MUFFLER

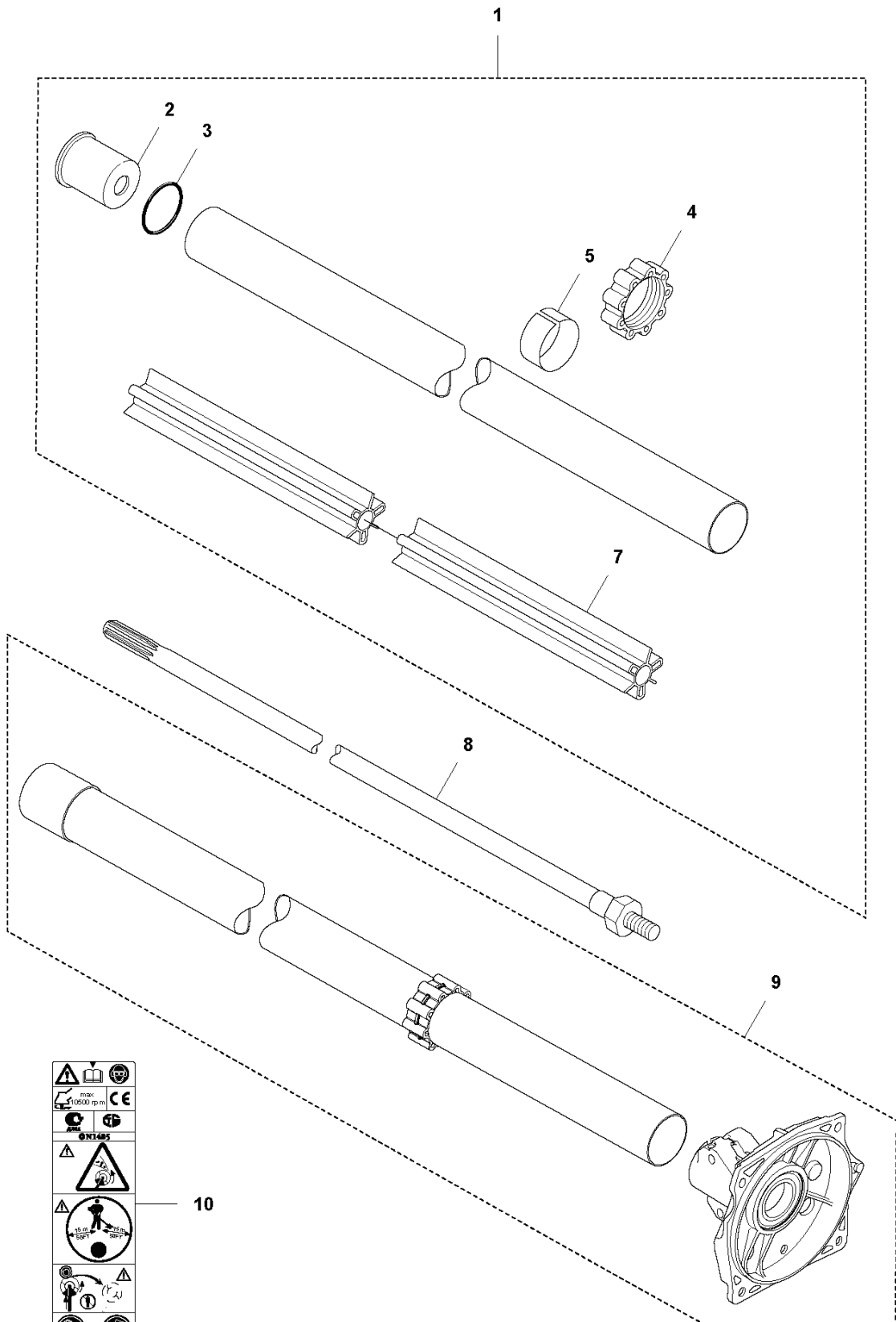


---

REF.	PART NO.	DESCRIPTION	REMARK	QTY.	KIT
1	574381106	MUFFLER KIT	FF	1	
2	724128759	SCREW CRPANM		1	1
3	522609501	SPARK ARRESTER SCREEN		1	1
4	522938701	HEAT DEFLECTOR		3	1
5	522954401	GASKET		1	1
7	503200776	SCREW IHSCFM		2	1
8	503200776	SCREW IHSCFM		1	
11	522954401	GASKET		1	9
9	574381105	MUFFLER KIT	PIPE	1	
10	522938701	HEAT DEFLECTOR		1	9
12	503200776	SCREW IHSCFM		2	9
13	503200776	SCREW IHSCFM		1	



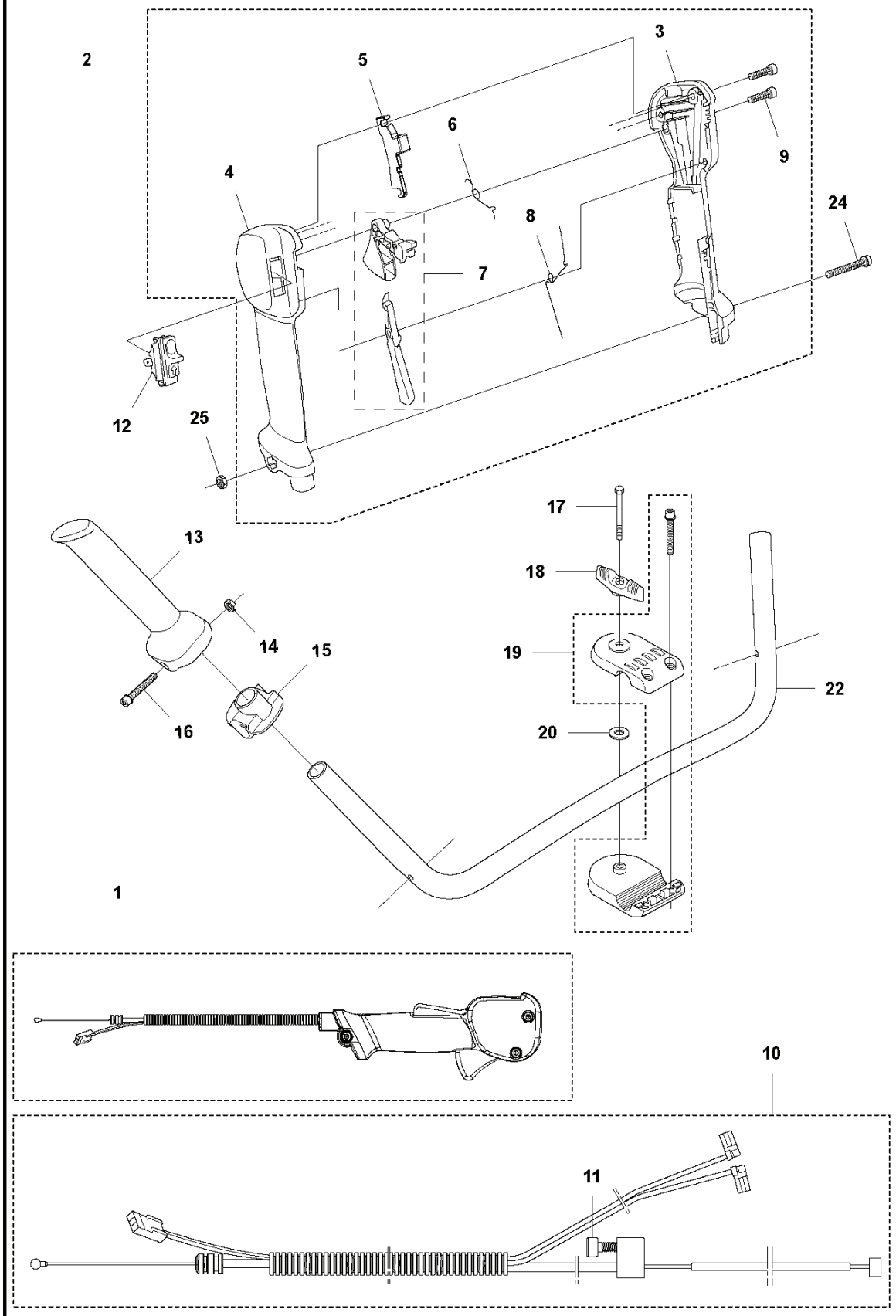
**B** 545RXT AT  
SHAFT



10

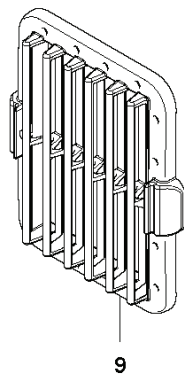
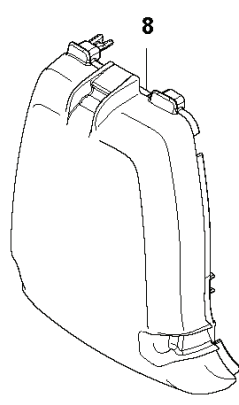
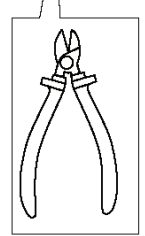
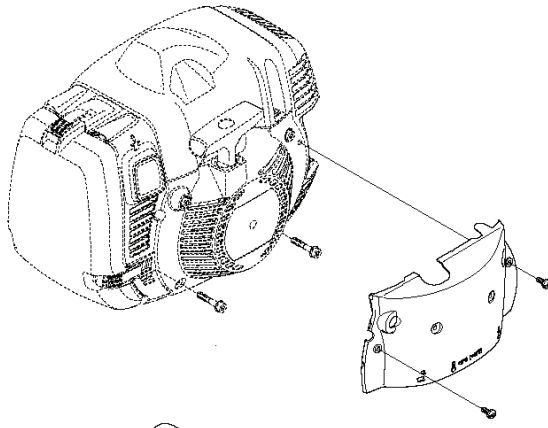
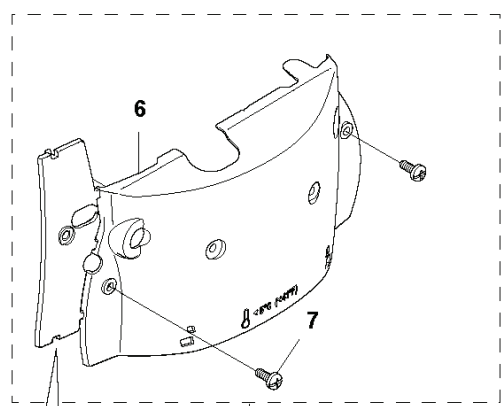
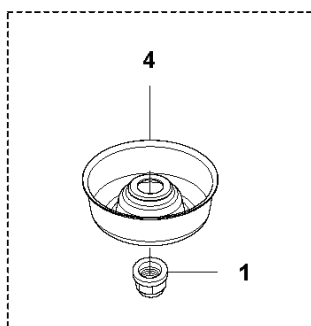
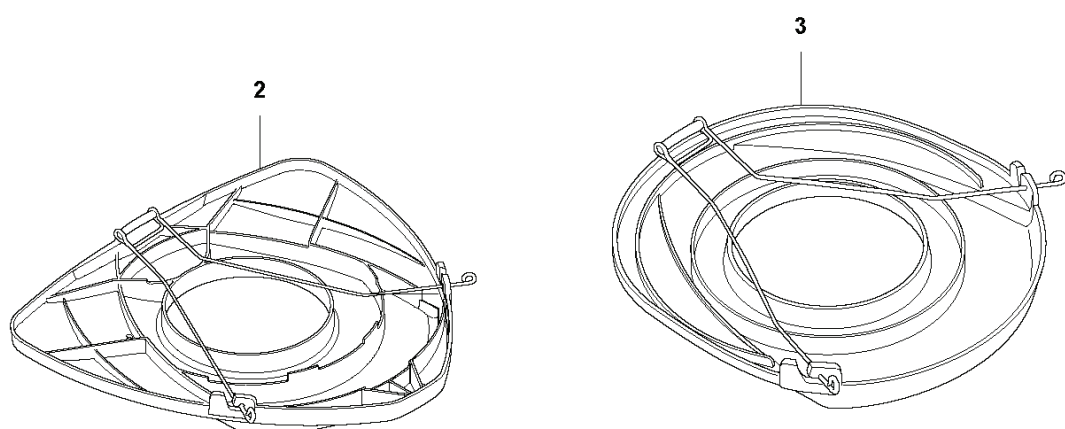
REF.	PART NO.	DESCRIPTION	REMARK	QTY.	KIT
1	586262609	TUBE ASSY	from s/n 20194300361 - . For older products use kit 5978421-01	1	
2	544029401	SPACER		1	1
3	506110301	O-RING		1	1
4	537309801	ANTIVIBRATION ELEMENT		1	1
5	537309702	TAPE		1	1
7	523018801	BEARING SHAFT		1	1
8	503955402	DRIVE SHAFT		1	
9	597842101	CLUTCH COVER ASSY	up to s/n - 20194300360.	1	
10	589295101	LABEL		1	

**D** 545RXT AT  
THROTTLE CONTROLS



REF.	PART NO.	DESCRIPTION	REMARK	QTY.	KIT
1	577071905	THROTTLE HANDLE ASSY		1	
2	504209804	THROTTLE HANDLE ASSY		1	1
3	537180811	HANDLE HALF		1	1.2
4	537180711	HANDLE HALF		1	1.2
5	585065901	BUTTON		1	1.2
6	537174201	SPRING THROTTLE TRIG		1	1.2
7	506497701	THROTTLE CONTROL		1	1.2
8	537174301	SPRING		1	1.2
9	503216618	SCREW IH SCT		2	1.2
10	579254501	WIRING ASSY		1	1
11	503216618	SCREW IH SCT		1	1.10
12	537419001	SWITCH		1	
13	537172803	HANDLE		1	
14	731231405	HEXAGON NUT		1	
15	537172902	BRACKET		1	
16	503200245	SCREW IH SCFM		1	
17	725238381	SCREW EHHM		1	
18	502203801	KNOB		1	
19	595303601	HANDLEBAR BRACKET	s/n from 20173300001 up to 20181100180	1	
19	596283301	HANDLEBAR BRACKET		1	
20	502282101	WASHER		1	
22	505433304	HANDLEBAR		1	
24	503200782	SCREW IH SCFM		1	
25	503221013	HEXAGON NUT		1	

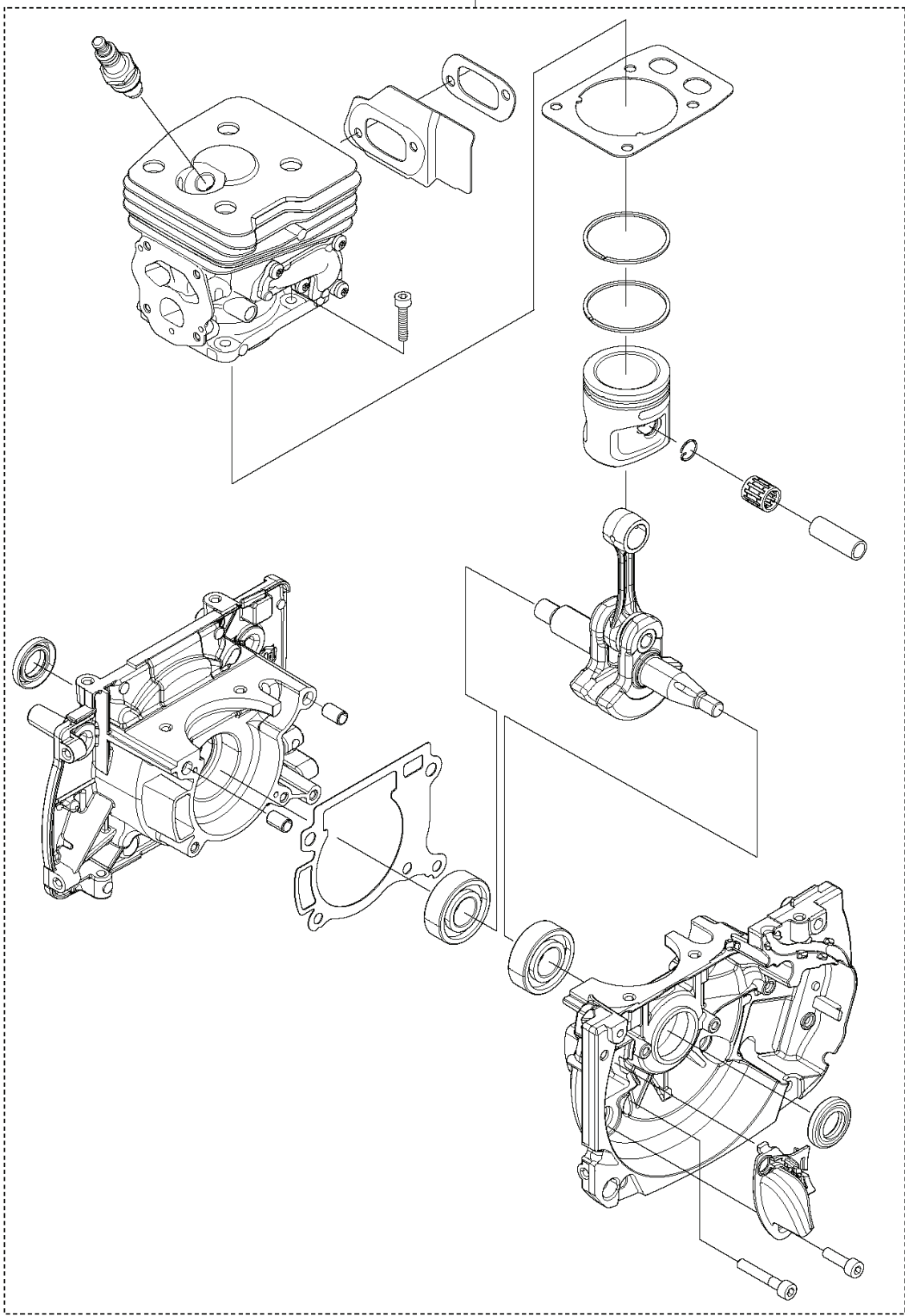
**R3** 545RXT AT, 545FX AT, 545FXT AT  
ACCESSORIES



REF.	PART NO.	DESCRIPTION	REMARK	QTY.	KIT
1	502291101	BLADE NUT		1	
2	544359101	TRANSPORT GUARD	300-350 mm, Transport guard	1	
3	537312901	TRANSPORT GUARD	200-275 mm, Transport guard	1	
4	544380201	SUPPORT CUP		1	
5	577043901	WINTER KIT		1	
6	522550901	WINTER COVER		1	5
7	503217010	SCREW CCRPANT		3	5
8	590074101	WINTER COVER		1	
9	590080203	AIR FILTER	Nylon 25 $\mu$ , Winter	1	
10	535334401	SUPPORT CUP		1	

**T** 545 RXT AT, 545FX AT, 545FXT AT  
SHORT BLOCK

1

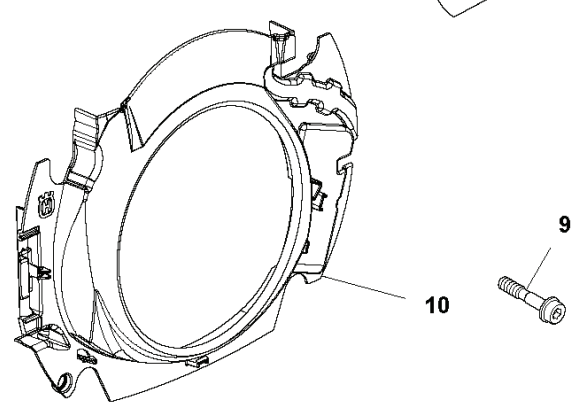
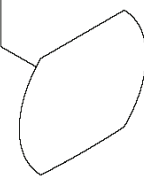
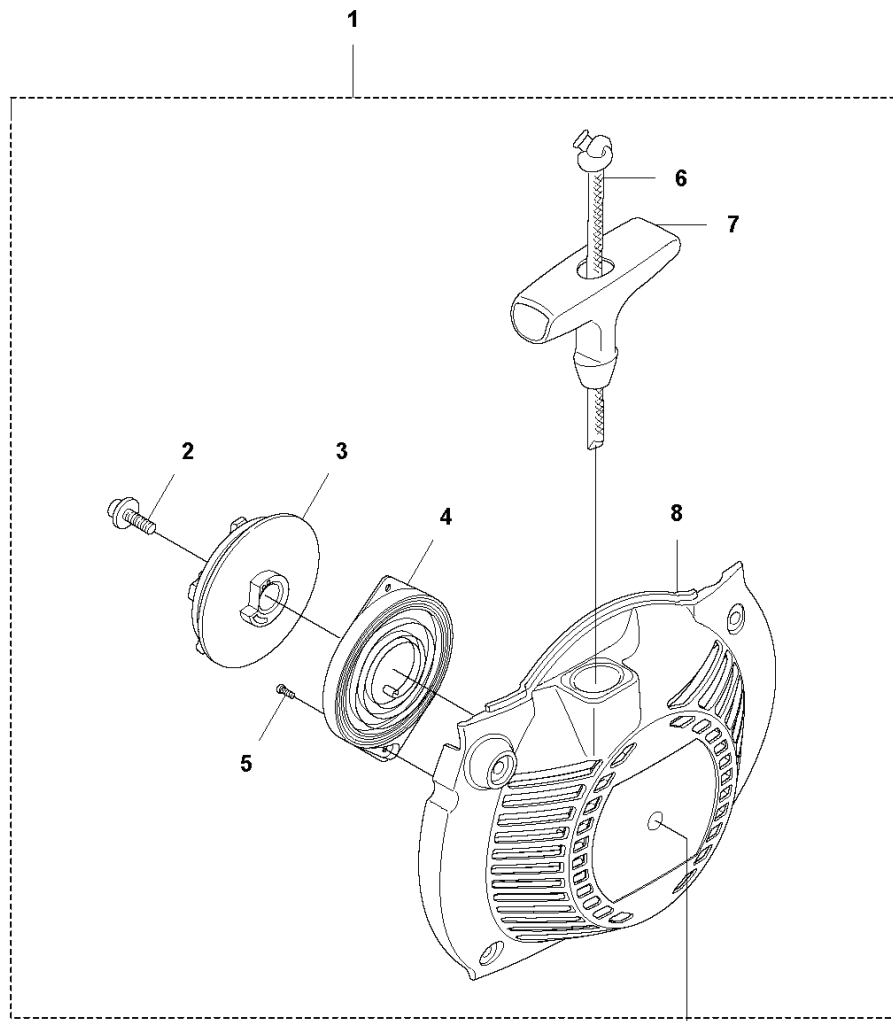


---

REF.	PART NO.	DESCRIPTION	REMARK	QTY.	KIT
1	590092801	SHORT BLOCK		1	



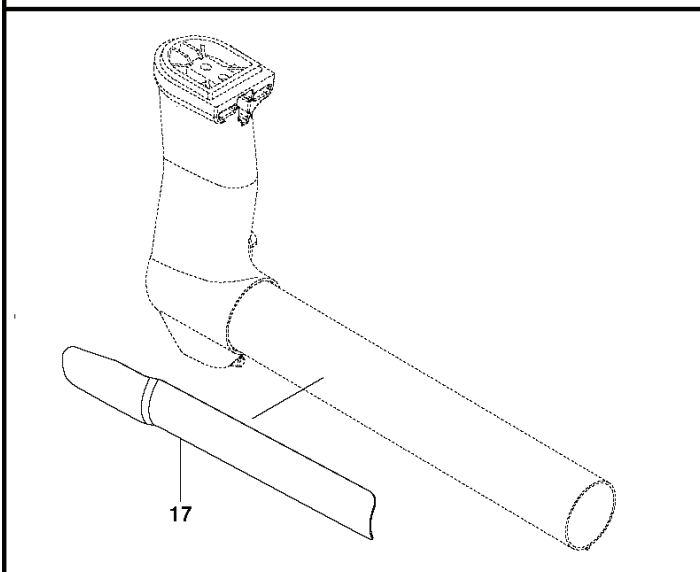
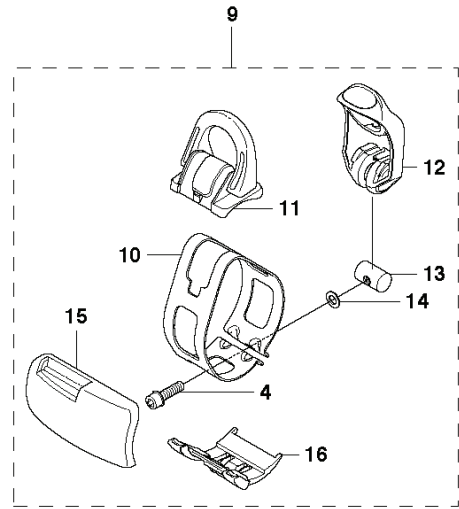
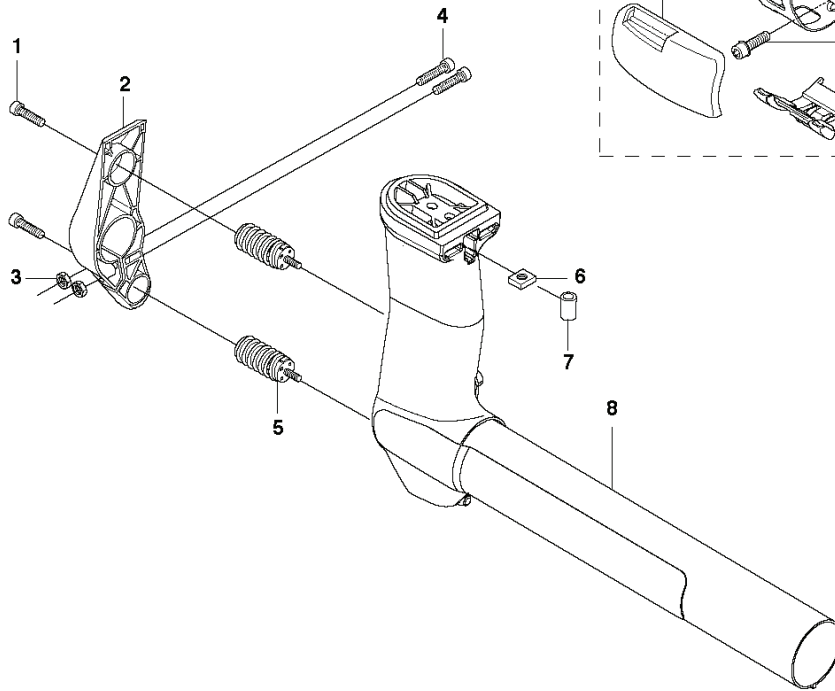
**K** 545RXT AT, 545FX AT, 545FXT AT  
STARTER



---

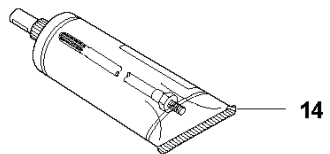
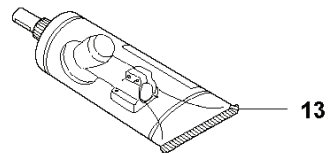
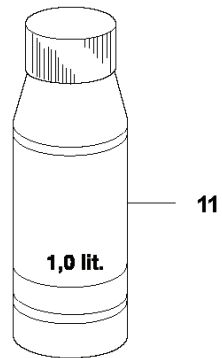
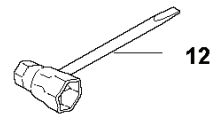
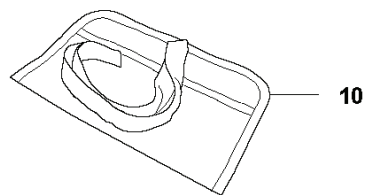
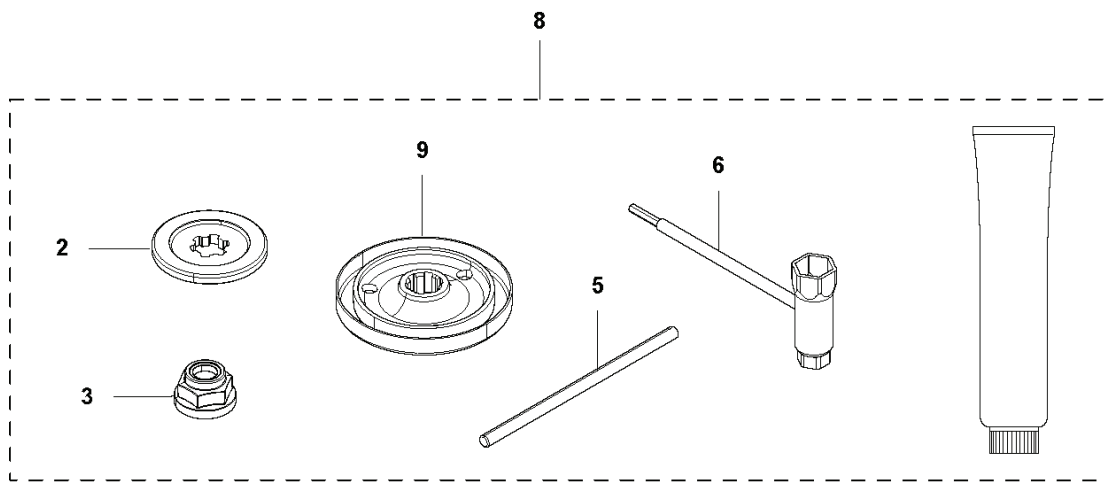
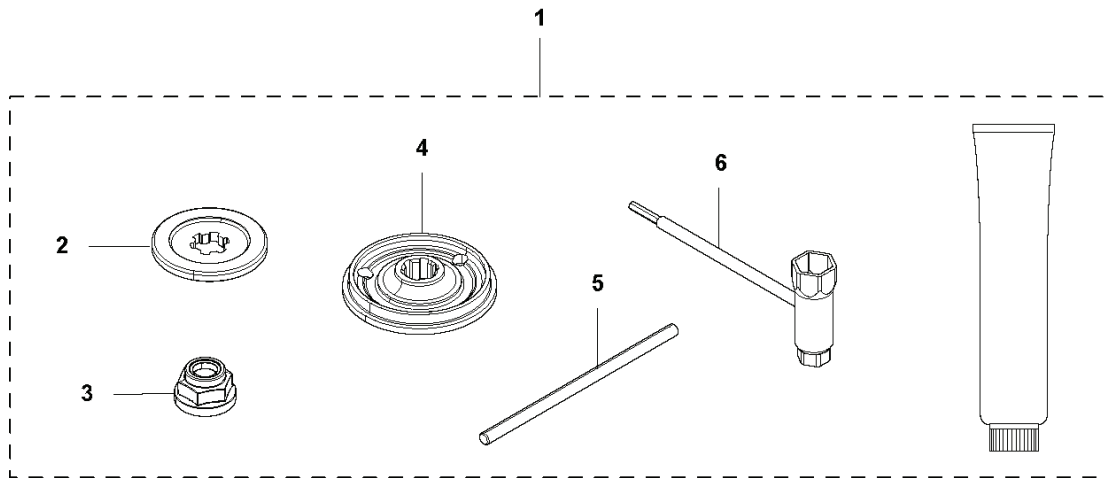
REF.	PART NO.	DESCRIPTION	REMARK	QTY.	KIT
1	573960801	STARTER		1	
2	503216916	SCREW IH SCT		1	1
3	503957301	STARTER PULLEY		1	1
4	502200601	SPRING CASSETTE ASSY		1	1
5	503212910	SCREW CCRPANT		2	1
6	505305125	STARTER ROPE		1	1
7	537232501	STARTER HANDLE		1	1
8	502157701	STARTER ASSY		1	1
9	574477004	SCREW IHSCFMO	Captive Screw	4	
10	579434701	COOLING AIR CONDUCTOR		1	
11	576468102	LABEL		1	

**C** 545RXT AT  
SUSPENSION



REF.	PART NO.	DESCRIPTION	REMARK	QTY.	KIT
1	503200316	SCREW IHSCFM		2	
2	589015801	HOLDER		1	
3	503221012	HEXAGON NUT		2	
4	503200225	SCREW IHSCFM		2	9
5	588829901	ANTIVIBRATION ELEMENT		2	
6	502197101	SQUARE NUT		1	
7	503857302	COVER		1	
8	581979003	SUSPENSION		1	
9	577375701	LOOP		1	
10	537197901	BAND		1	9
11	537201803	LOOP		1	9
12	577208301	LEVER		1	9
13	537427301	NUT		1	9
14	503230011	WASHER	One bag containing 10 pcs	1	9
15	544250701	WEAR PROTECTION		1	9
16	577299301	GUIDE RAIL		1	9
17	501015501	WEAR PLATE		1	

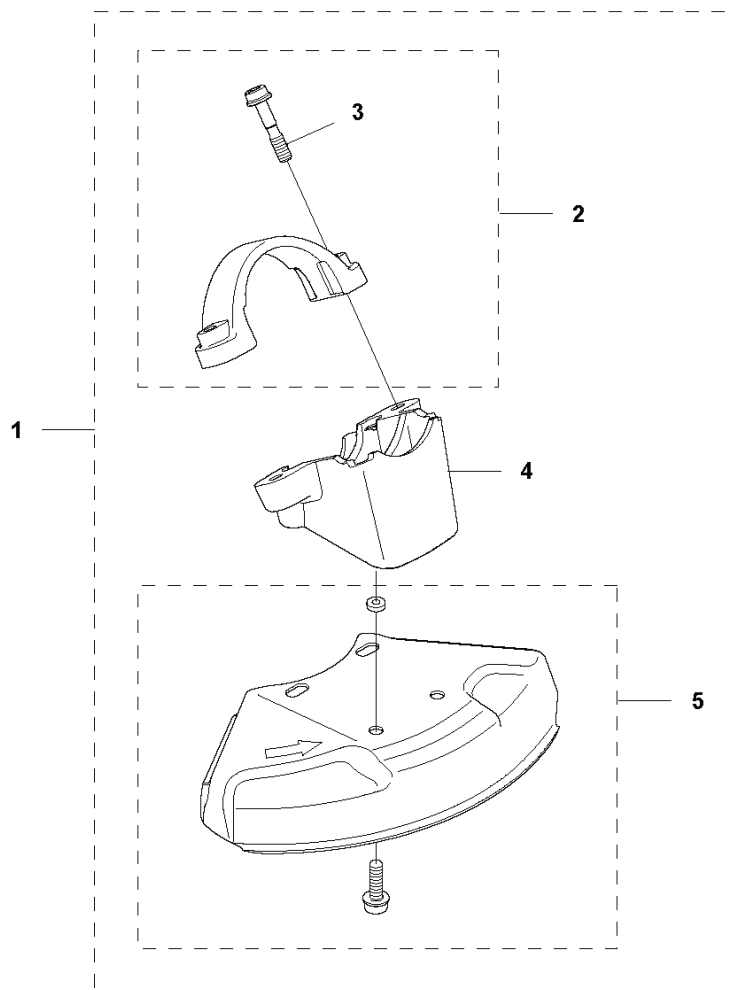
**R1** 545RXT AT, 545FX AT, 545FXT AT  
ACCESSORIES



---

REF.	PART NO.	DESCRIPTION	REMARK	QTY.	KIT
1	502216024	ACCESSORY BAG		1	
2	537343502	SUPPORT FLANGE		1	1.8
3	502291101	BLADE NUT		1	1.8
4	544197801	DRIVER		1	1
5	502285901	STOP		1	1.8
6	537362102	COMBINATION WRENCH		1	1.8
8	502216027	ACCESSORY BAG		1	
9	537351402	DRIVER		1	8
10	501192201	TOOL		1	
12	501691702	COMBINATION WRENCH		1	
11	531009248	FILTER OIL		1	
13	503976401	GREASE		1	
14	503801701	GREASE		1	

**R4** 545RXT AT  
ACCESSORIES



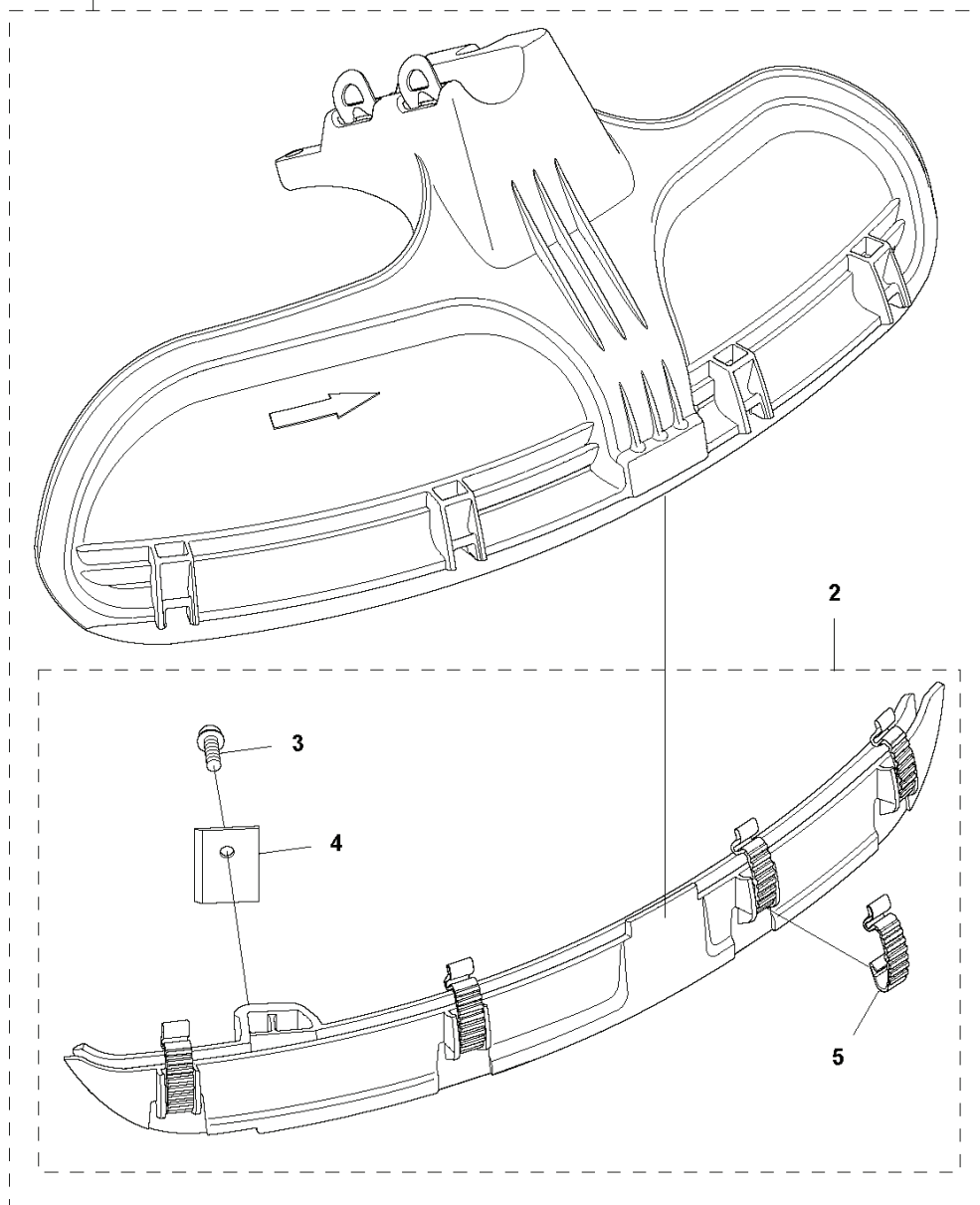
---

REF.	PART NO.	DESCRIPTION	REMARK	QTY.	KIT
1	537310902	SAW BLADE GUARD		1	
2	574555401	CLAMP	Spare part with Captive Screw	1	1
3	573994304	SCREW IHSCFMO	Captive Screw	2	1,2
4	504003301	ADAPTER		1	1
5	574532601	BLADE GUARD		1	



**R2** 545RXT AT  
ACCESSORIES

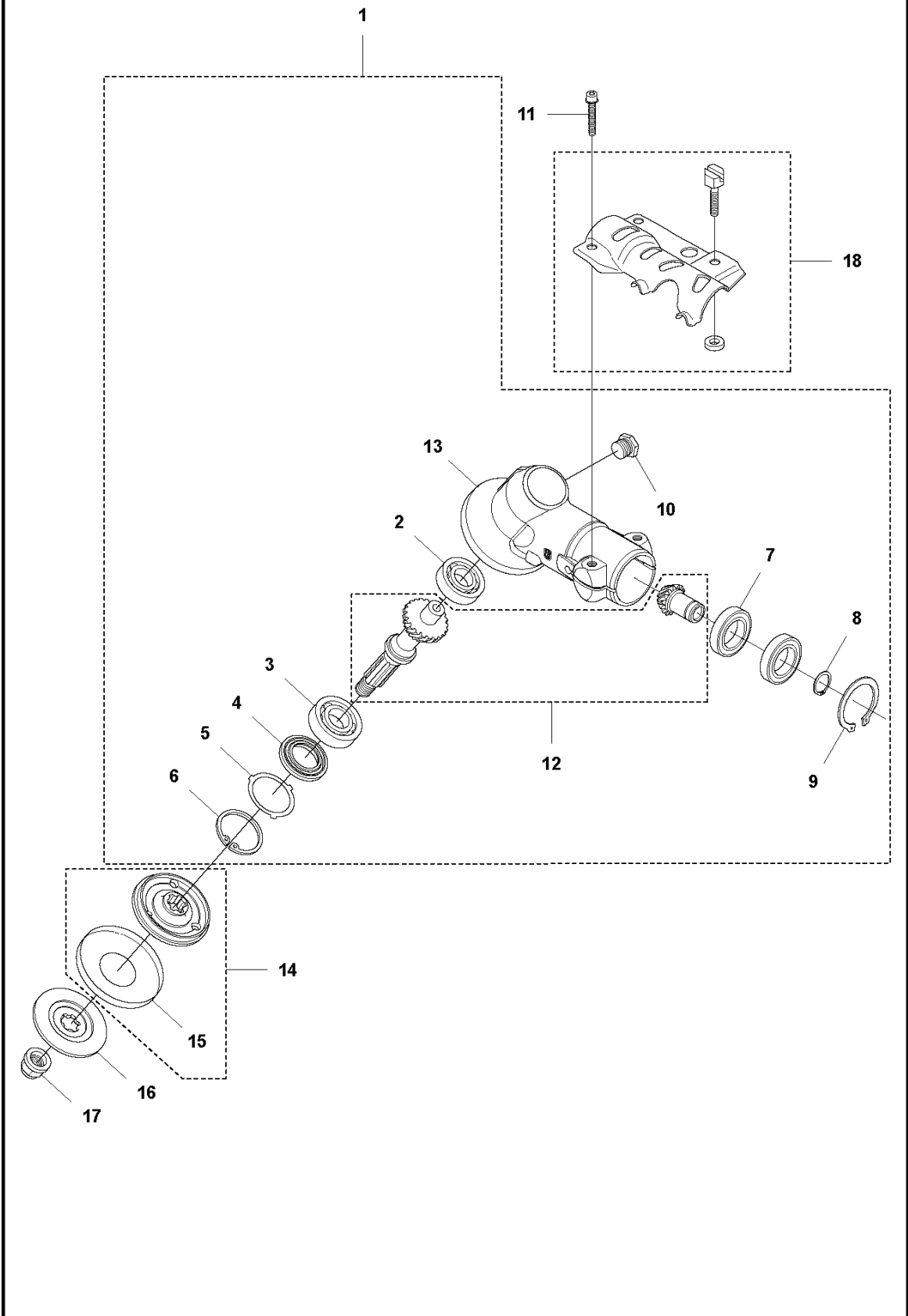
1



---

REF.	PART NO.	DESCRIPTION	REMARK	QTY.	KIT
1	544464301	COMBINATION GUARD		1	
2	544464401	COMBINATION GUARD		1	1
3	503210716	SCREW IHSCT		1	1.2
4	503798802	BLADE		1	1.2
5	537387201	SNAP LOCKING		1	1.2

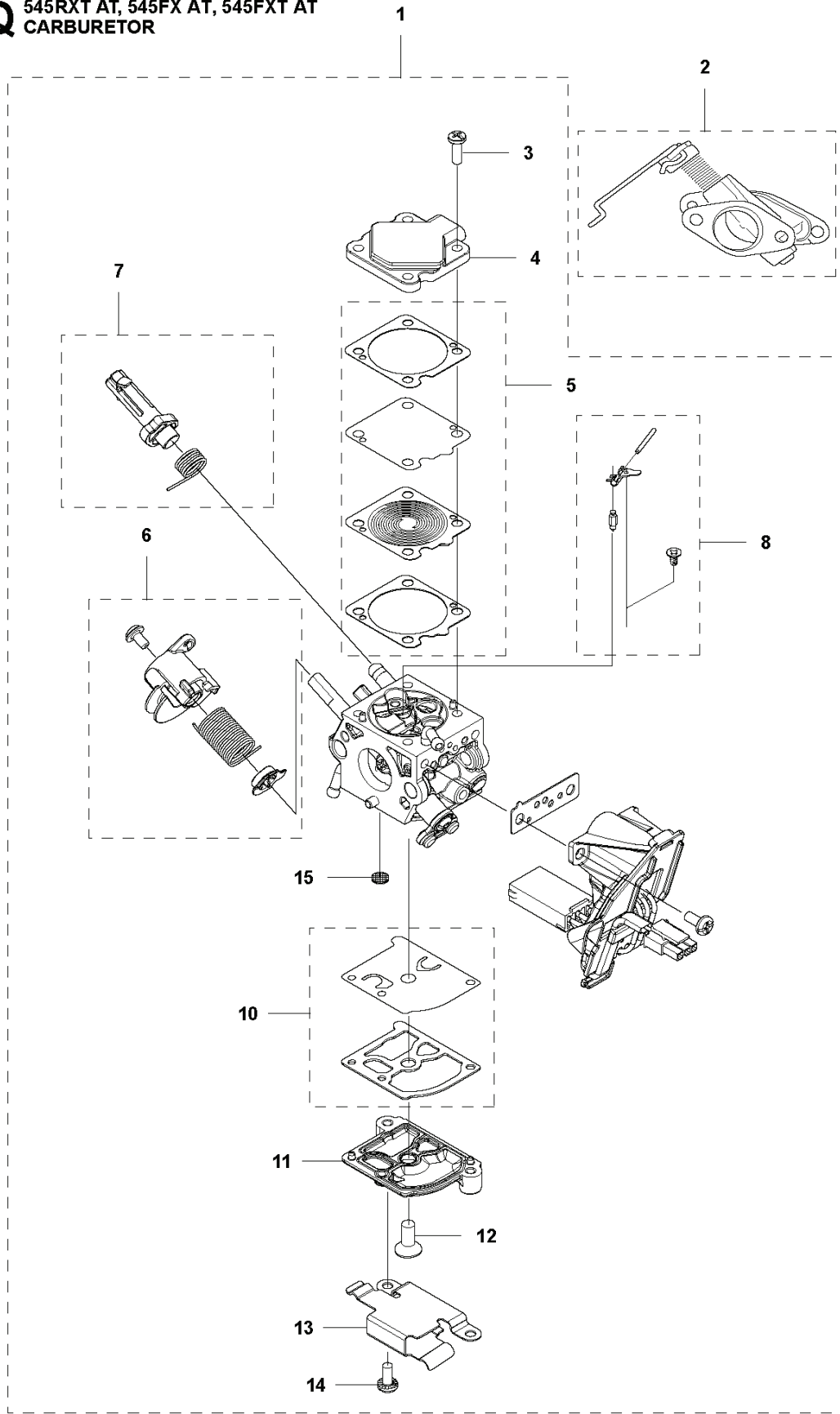
**A1** 545 RXT AT  
BEVEL GEAR



---

REF.	PART NO.	DESCRIPTION	REMARK	QTY.	KIT
1	502235201	GEAR ASSY		1	
2	738210110	BALL BEARING		1	1
3	503250801	BEARING		1	1
4	503261701	SEALING		1	1
5	503758901	COVER WASHER		1	1
6	735313310	CIRCLIP		1	1
7	738218712	BALL BEARING		2	1
8	735311700	CIRCLIP		1	1
9	735313110	CIRCLIP		1	1
10	503201501	SCREW		1	1
11	503200225	SCREW IHSCFM		2	
12	537290701	GEAR		1	1
13	502235101	GEAR HOUSING		1	1
14	537351402	DRIVER		1	
15	537240301	GRASS SEALING		1	
16	537343502	SUPPORT FLANGE		1	15
17	502291101	BLADE NUT		1	
18	583972401	ATTACHMENT PLATE		1	

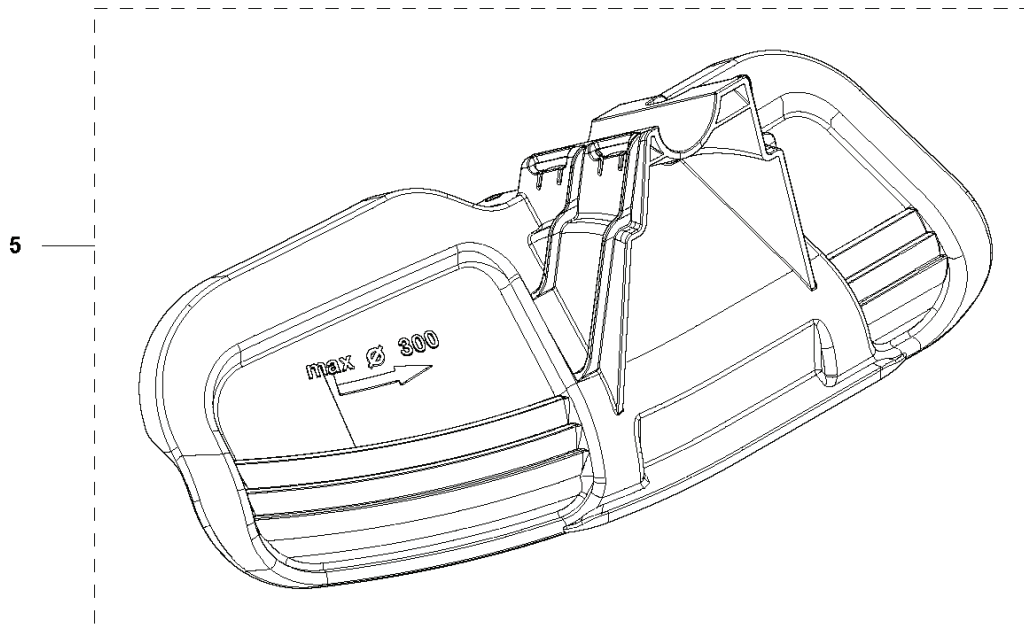
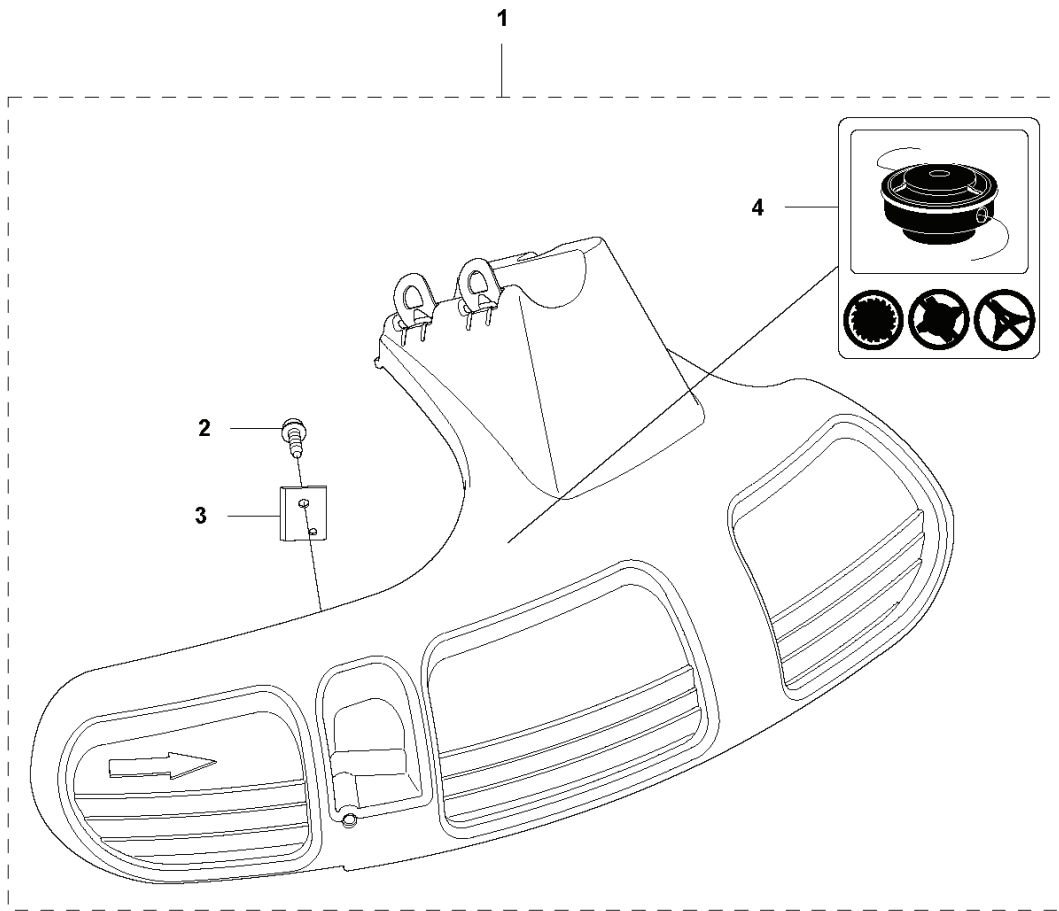
**Q** 545RXT AT, 545FX AT, 545FXT AT  
CARBURETOR



---

REF.	PART NO.	DESCRIPTION	REMARK	QTY.	KIT
1	589292901	CARBURETTOR		1	
2	578989301	HOUSING ASSY		1	
3	537003101	SCREW		4	1
4	574358101	COVER		1	1
5	582366401	GASKET KIT		1	1
6	589288401	CARBURETTOR KIT		1	1
7	589287801	CARBURETTOR KIT		1	1
8	589288501	CARBURETTOR KIT		1	1
10	589288601	CARBURETTOR KIT		1	1
11	579265201	COVER		1	1
12	574359001	SCREW		1	1
13	583909001	BRACKET		1	1
14	574359101	SCREW		2	1
15	501666101	SCREEN		1	

**R5** 545RXT AT  
ACCESSORIES



---

REF.	PART NO.	DESCRIPTION	REMARK	QTY.	KIT
1	503954301	TRIMMER GUARD ASSY		1	
2	503210716	SCREW IHSCT		1	1
3	503798802	BLADE		1	1
4	503742901	DECAL		1	1
5	537288501	BLADE GUARD		1	