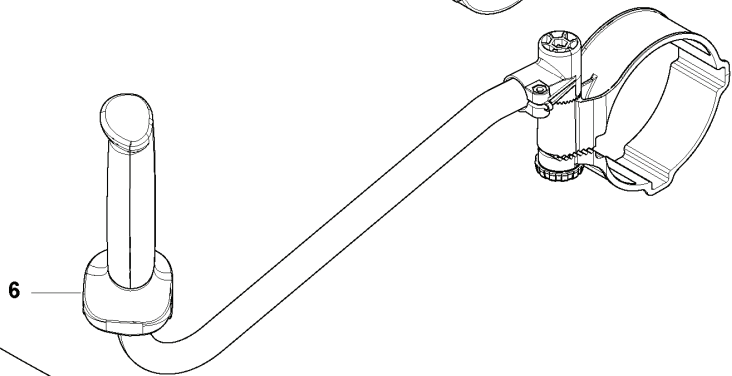
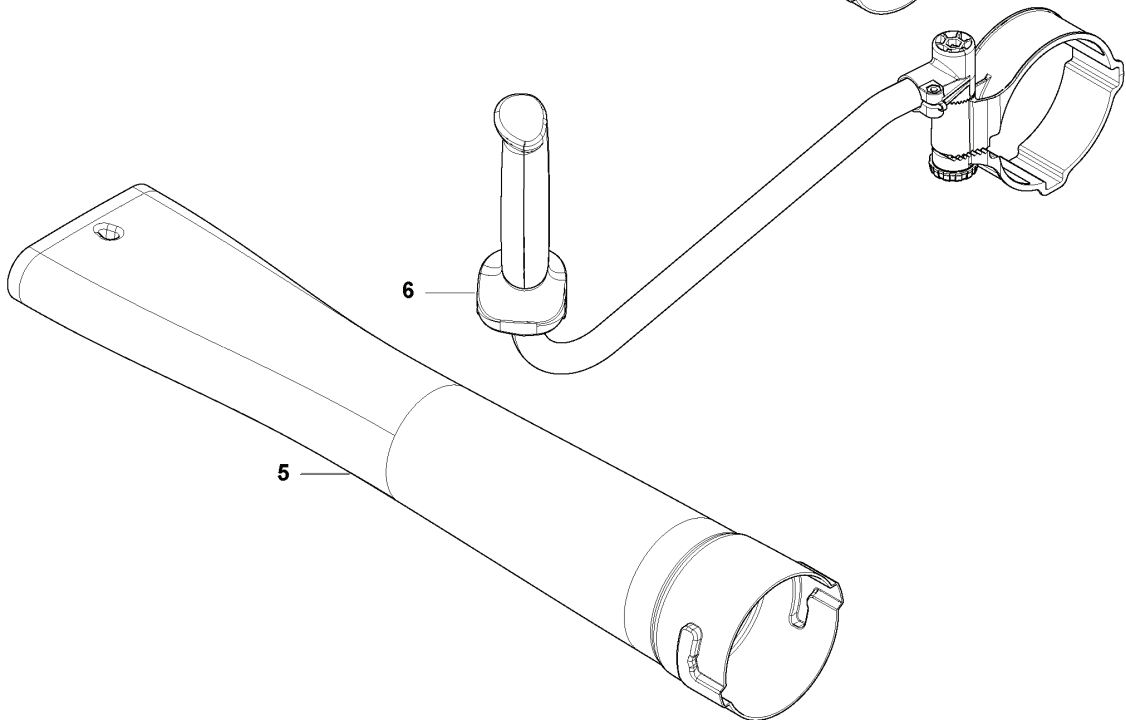
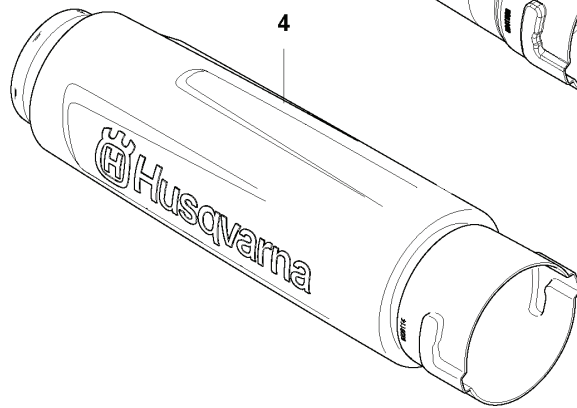
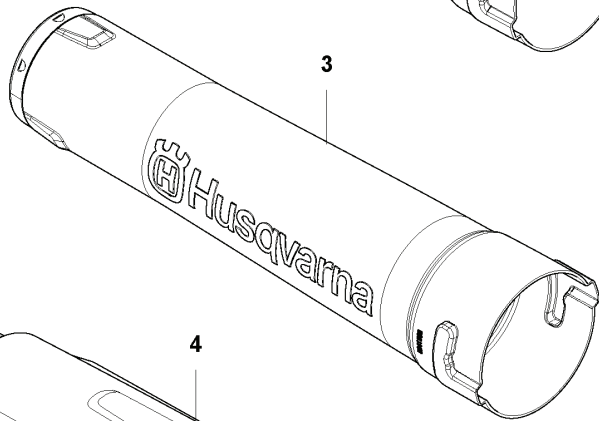
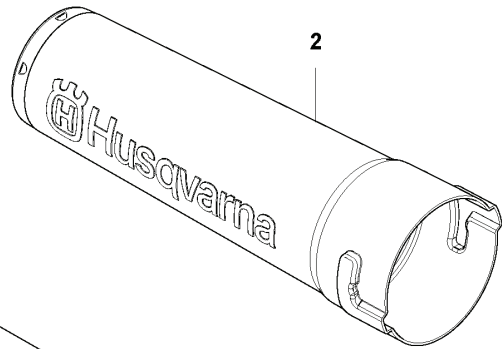
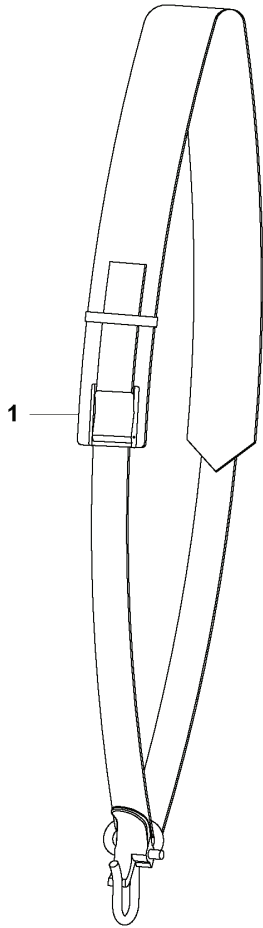


436LiB

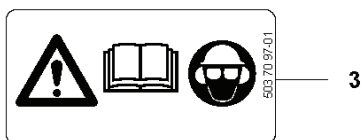
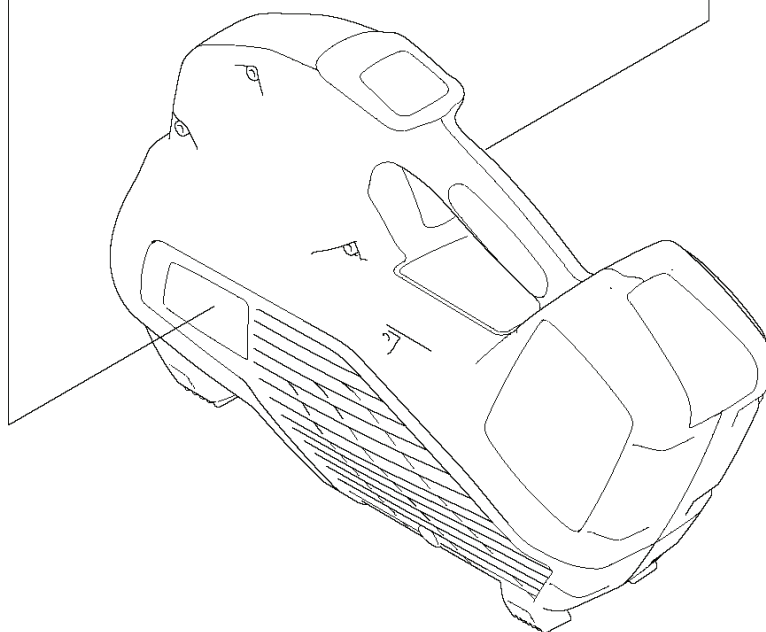
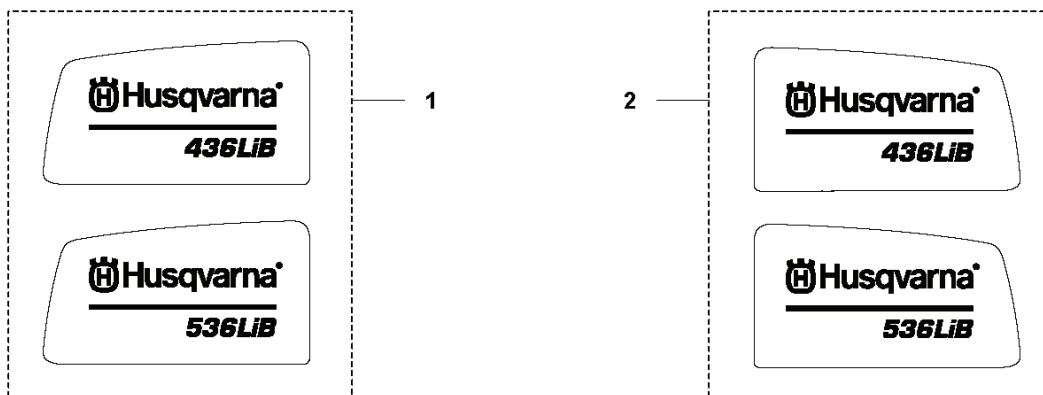
SPARE PARTS LIST

E 436/536 LiB
ACCESSORIES



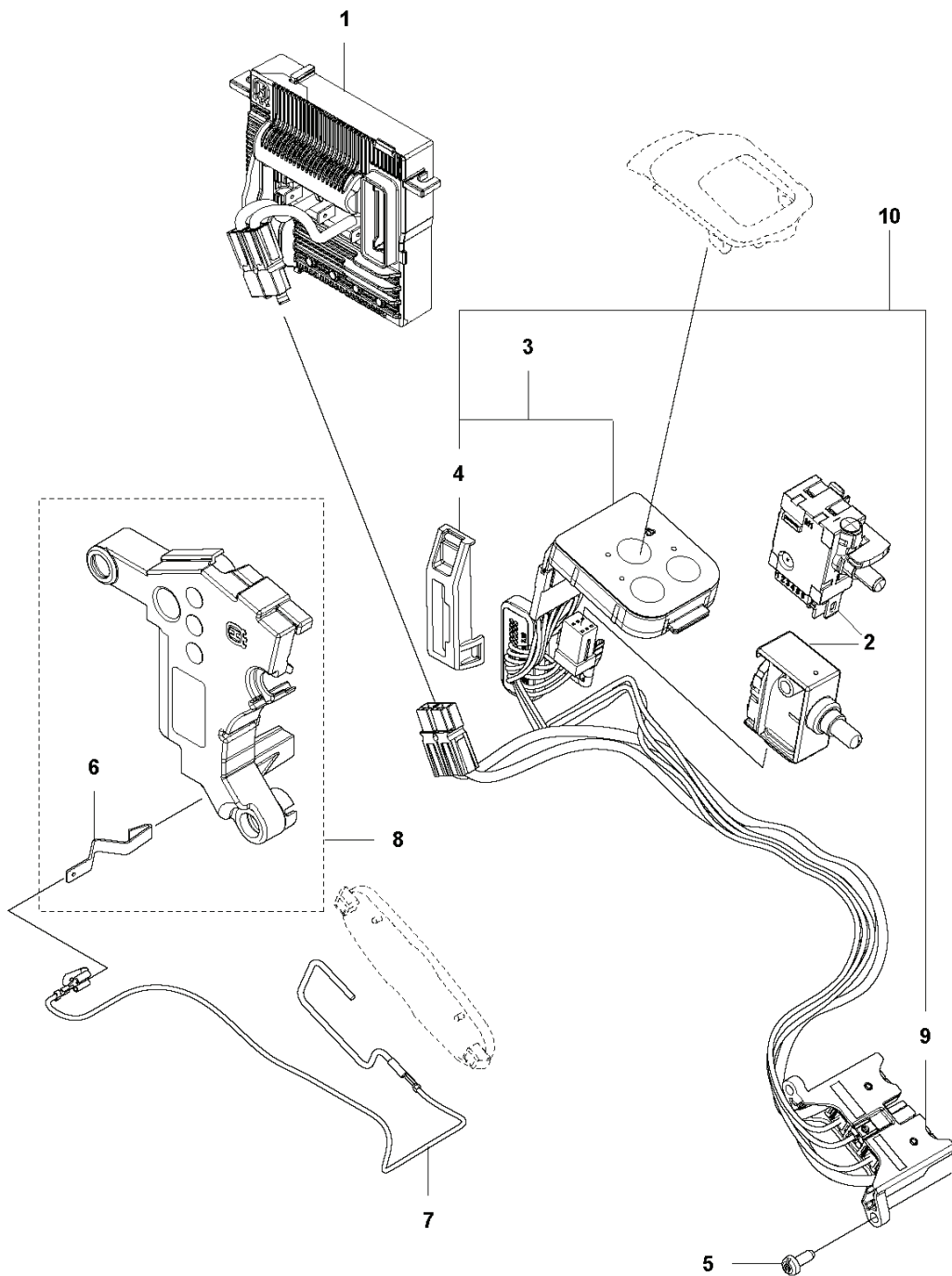
REF.	PART NO.	DESCRIPTION	REMARK	QTY.	KIT
1	537216201	HARNESS		1	
2	586106301	TUBE ASSY	Round Nozzle (300mm)	1	
3	586106302	TUBE ASSY	Round Nozzle (400mm)	1	
4	589811701	NOZZLE	Nozzle Silencer (400mm)	1	
5	579797501	NOZZLE	Flat Nozzle (600mm)	1	
6	501715101	HANDLE ASSY	436/536 LiB up to S/N 20180100001	1	

B 436/536 LiB
DECALS



REF.	PART NO.	DESCRIPTION	REMARK	QTY.	KIT
1	586834101	DECAL	436LiB left.	1	
1	586834102	DECAL	536LiB left.	1	
2	586834201	DECAL	436LiB right.	1	
2	586834202	DECAL	536LiB right.	1	
3	503709701	LABEL		1	

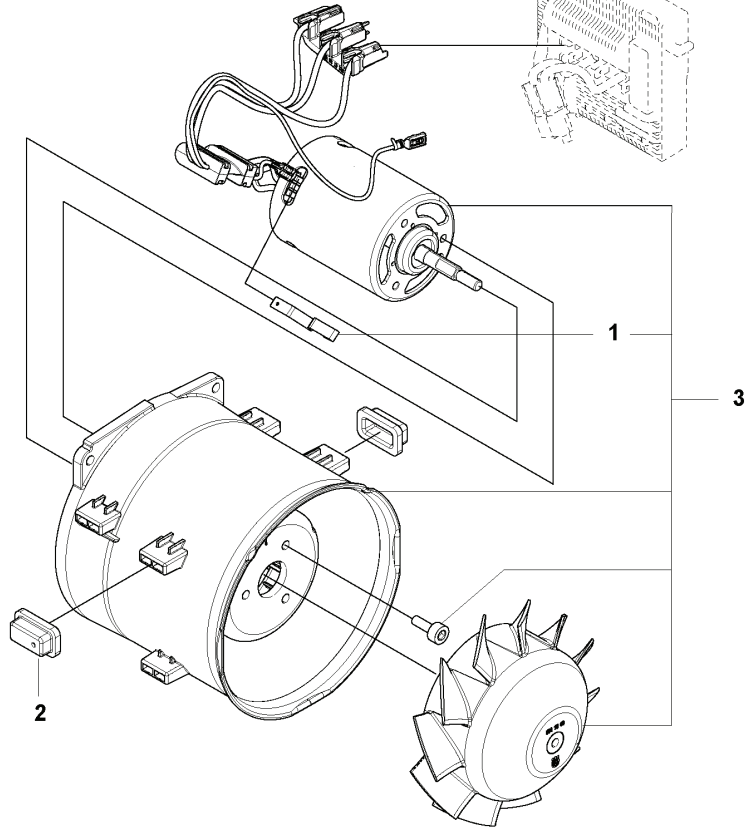
C 436/536 LiB
ELECTRIC SYSTEM



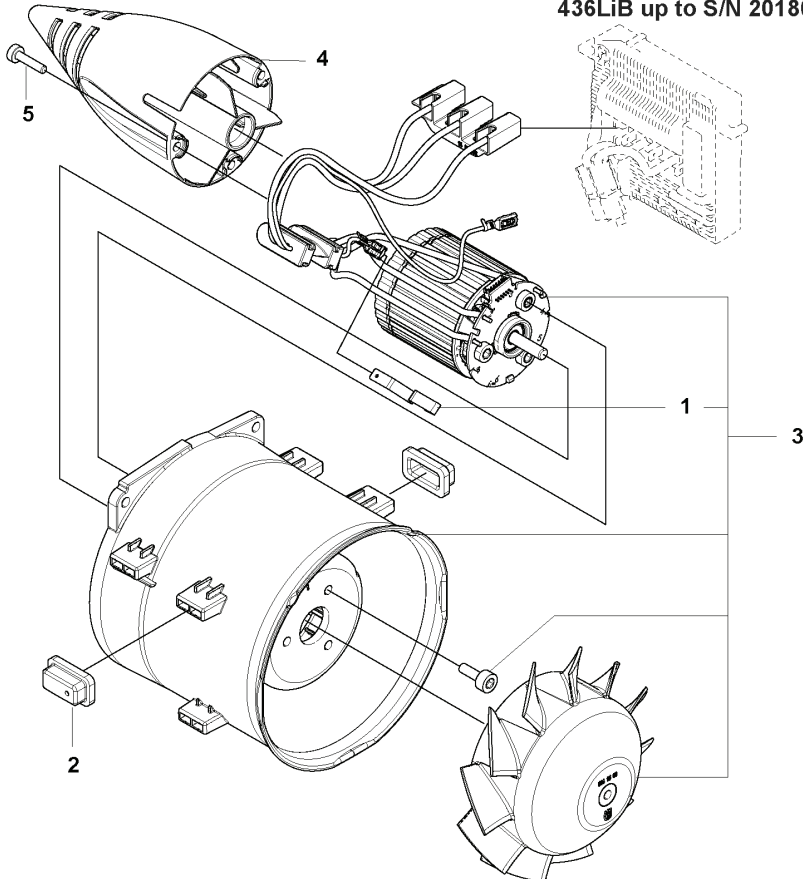
REF.	PART NO.	DESCRIPTION	REMARK	QTY.	KIT
1	587948601	CONTROL UNIT		1	
2	578326901	TRIGGER SWITCH	436/536 LiB up to S/N 20180100001	1	
2	582050701	SWITCH	436LiB from S/N 20180100002. 536LiB from S/N 20180200037	1	
3	587695902	WIRING ASSY	436/536 LiB up to S/N 20180100001	1	
4	587327201	BRACKET		1	
5	503212813	SCREW CCRPANT		2	
6	586492201	SPRING		1	8
7	586963901	WIRING ASSY		1	
8	588009801	KIT		1	
9	593813001	CONNECTOR		1	
10	582837601	WIRING ASSY	436LiB from S/N 20180100002. 536LiB from S/N 20180200037	1	

D 436/536 LiB
FAN SYSTEM

436LiB from S/N 20180100002

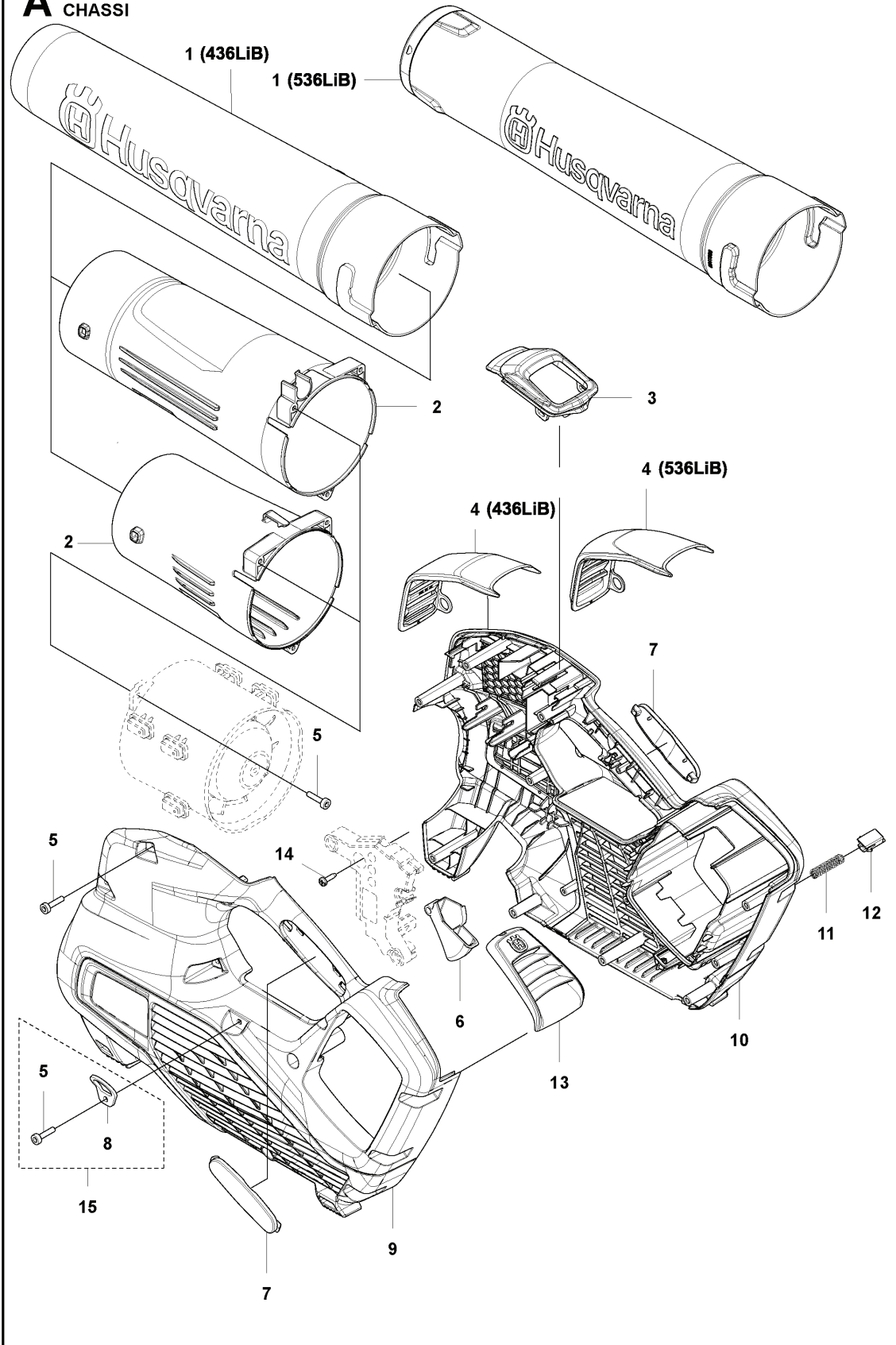


436LiB up to S/N 20180100001 and 536LiB



REF.	PART NO.	DESCRIPTION	REMARK	QTY.	KIT
1	586492201	SPRING		1	
2	503911001	SUSPENSION		6	
3	588009901	MOTOR ASSY	436LiB up to S/N 20180100001 and 536LiB	1	
3	594083001	MOTOR ASSY	436LiB from S/N 20180100002	1	
4	584156501	CONE	436/536 LiB up to S/N 20180100001	1	
5	579211901	SCREW IHSCT	436/536 LiB up to S/N 20180100001	3	

A 436/536 LIB
CHASSI



REF.	PART NO.	DESCRIPTION	REMARK	QTY.	KIT
1	584156802	NOZZLE	436LiB up to S/N 20180100001	1	
1	586106301	TUBE ASSY	536LiB up to S/N 20180100001	1	
1	586106302	TUBE ASSY	536LiB from S/N 20180200037	1	
1	582599601	NOZZLE	436LiB from S/N 20180100002	1	
2	584156601	TUBE	436/536 LiB up to S/N 20180100001	1	
2	582501601	TUBE	436LiB from S/N 20180100002. 536LiB from S/N 20180200037	1	
3	584213701	FRAME		1	
4	584914301	COVER	436LiB	1	
4	584914701	COVER	536LiB	1	
5	579211901	SCREW IHST	436LiB	16	15
6	579564102	THROTTLE CONTROL		1	
7	544042003	HANDLE INSERT		2	
8	586514201	EYELET		1	15
9	584157402	HOUSING		1	
10	584157302	HOUSING		1	
11	585480001	SPRING		1	
12	577996601	PUSH BUTTON		1	
13	576901201	COVER		1	
14	503212813	SCREW CCRPANT		1	
15	588009701	EYELET		1	