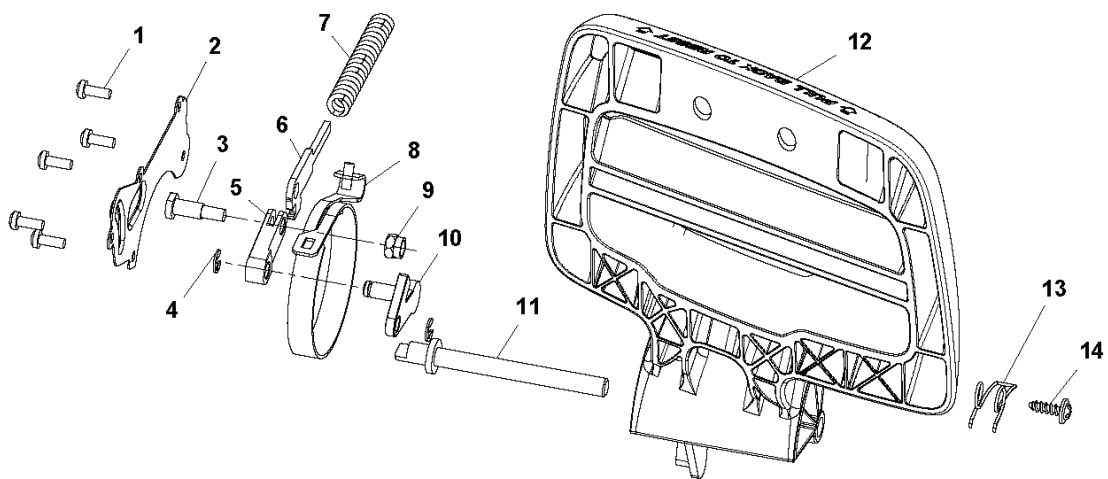


225i

---

# **SPARE PARTS LIST**

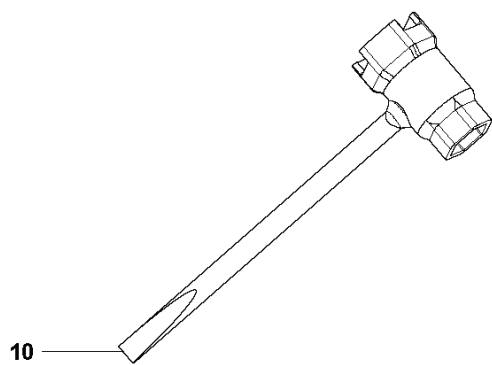
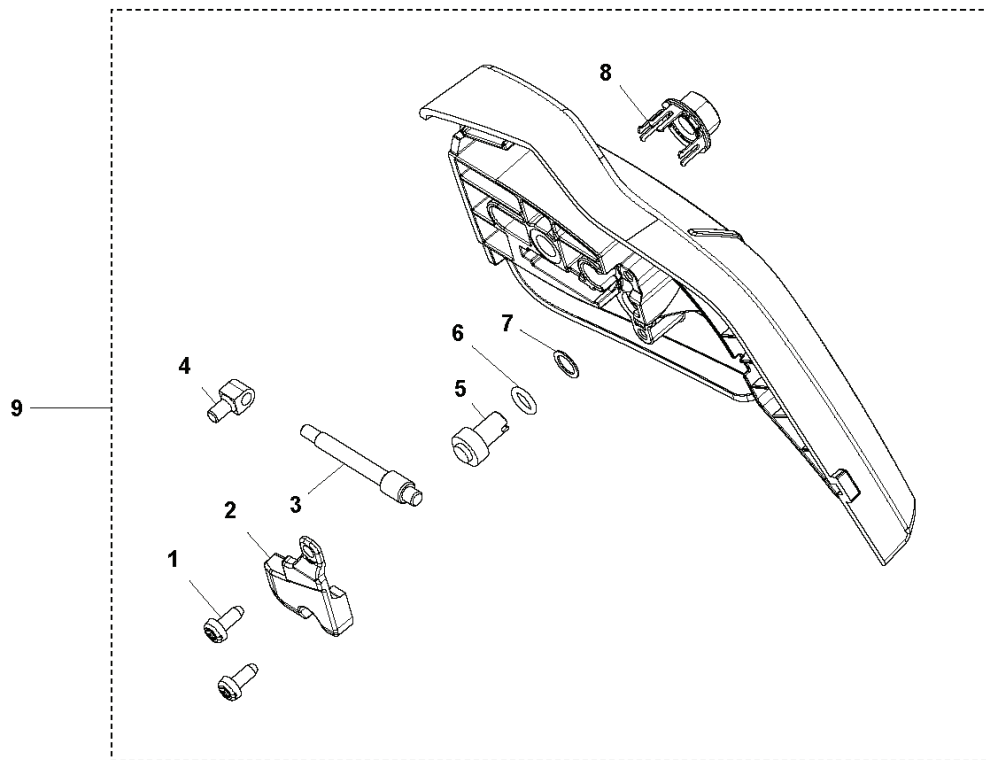
**C** 225i  
CHAIN BRAKE



---

REF.	PART NO.	DESCRIPTION	REMARK	QTY.	KIT
1	586903001	SCREW	M3x8	5	
2	536629001	COVER	BRAKE PLATE	1	
3	586902601	PEN		1	
4	587377701	CLAMP		2	
5	585603501	PLATE		1	
6	585594401	PLATE		1	
7	585590501	BRAKE SPRING		1	
8	536629101	BAND		1	
9	586902701	NUT		1	
10	582488701	DRIVE LINK		1	
11	585931901	PIVOT		1	
12	585581301	BRAKE		1	
13	587600101	SPRING		1	
14	575309802	SCREW	MT3x10	1	

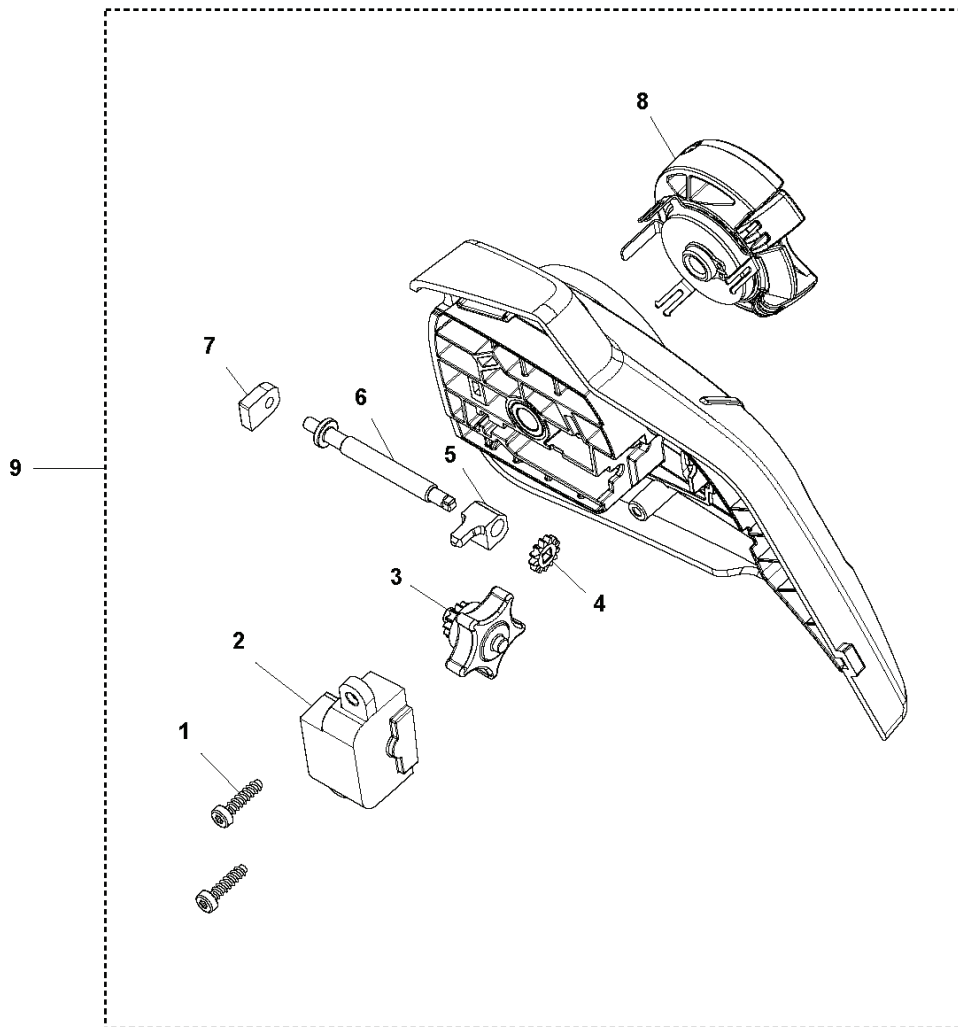
**F** 225i  
CLUTCH COVER



---

REF.	PART NO.	DESCRIPTION	REMARK	QTY.	KIT
1	585819001	SCREW	ST4X12	2	
2	535287501	COVER		1	
3	537397001	WORM SCREW		1	
4	588850301	PIN		1	
5	599724101	WORM WHEEL		1	
6	740480702	O-RING		1	
7	503230063	WASHER	7.2x10.3x0.5 St	1	
8	505197301	NUT	RETAINER ASSY	1	
9	537648601	CLUTCH ASSY	SERVICER PARTS	1	
10	587465401	WRENCH		1	

**E** 225i  
CLUTCH COVER

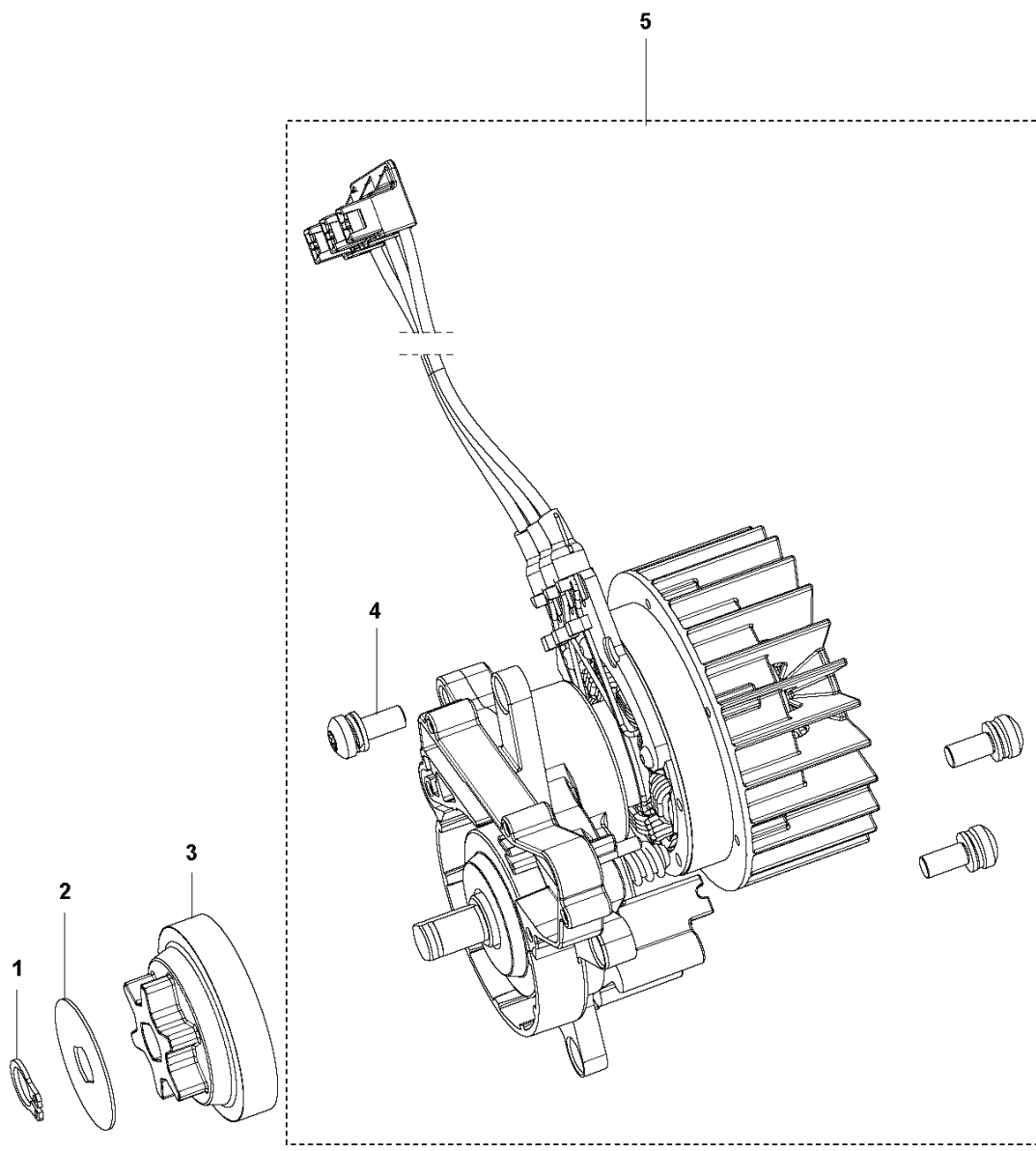


---

REF.	PART NO.	DESCRIPTION	REMARK	QTY.	KIT
1	585819001	SCREW	ST4x12	2	
2	585593401	COVER		1	
3	578776501	CHAIN TENSIONER		1	
4	585593501	PINION		1	
5	585593701	PLATE		1	
6	585593901	SHAFT		1	
7	585594001	SLEEVE		1	
8	591471101	KNOB		1	
9	537648501	CLUTCH ASSY	service parts	1	



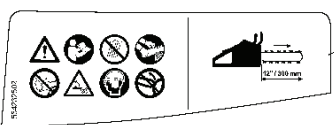
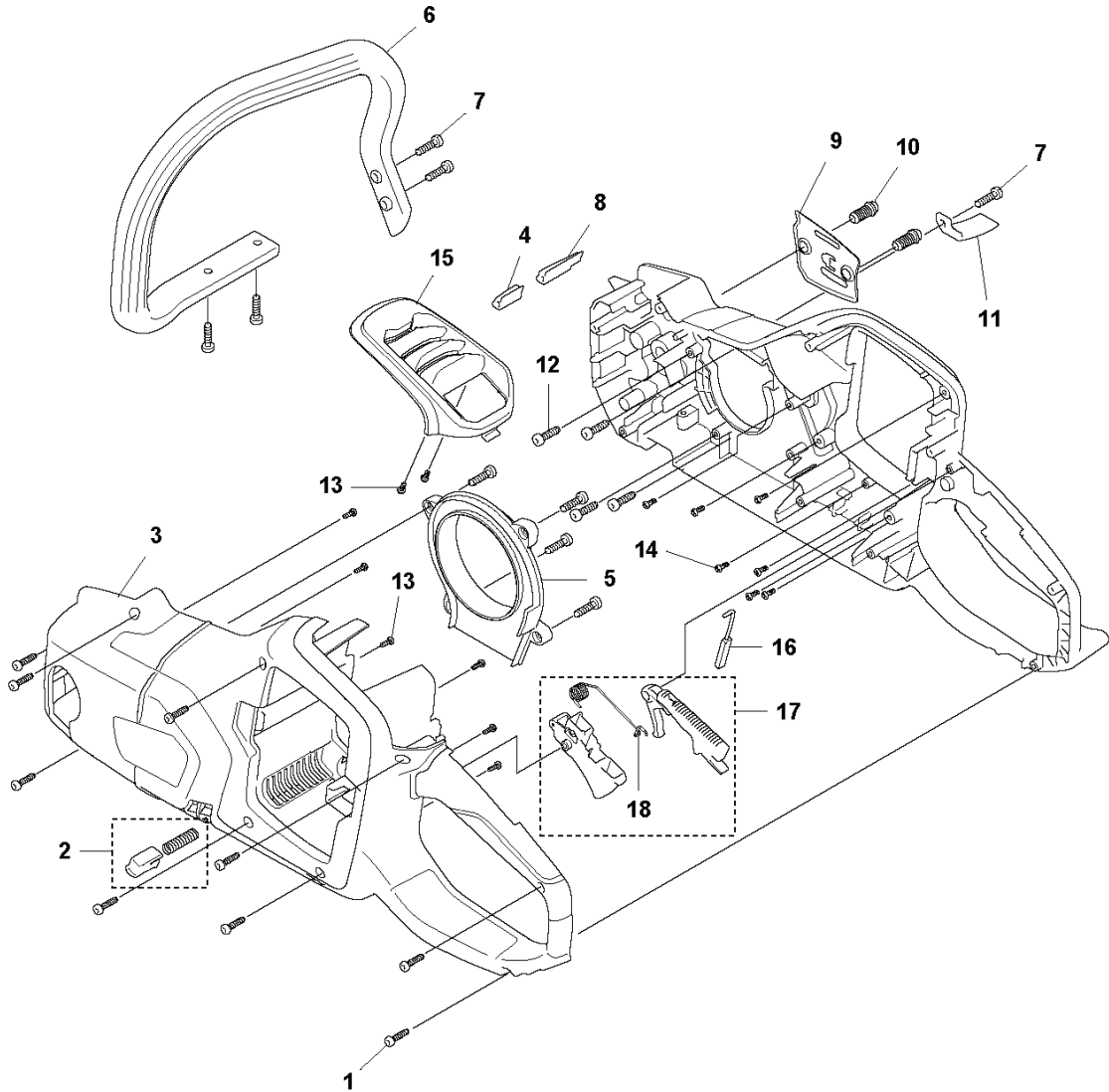
**D** 225i  
DRIVE



---

REF.	PART NO.	DESCRIPTION	REMARK	QTY.	KIT
1	574797701	LOCKING RING		1	
2	585602001	WASHER		1	
3	585589601	SPROCKET		1	
4	586902802	SCREW		3	
5	537648401	DRIVER ASSY		1	

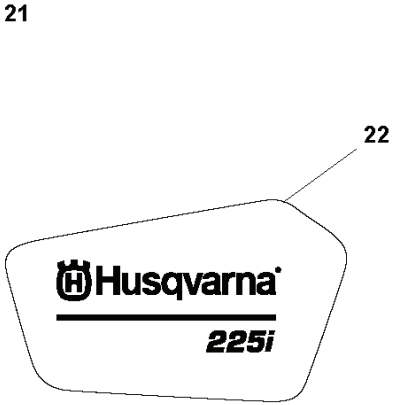
# B 225i HOUSING



**WARNING**  
 Read and follow all safety precautions in the owner's manual. Failure to follow instructions could result in serious injury to user. Tip contact may cause the guide bar to move suddenly upward and backwards, which may cause serious injury to user. Two hands are always to be used in operation of the chain saw. Use only identical replacement bar and chain components manufactured by Husqvarna. For use only with Husqvarna BL-series batteries. See instruction manual for additional battery packs.

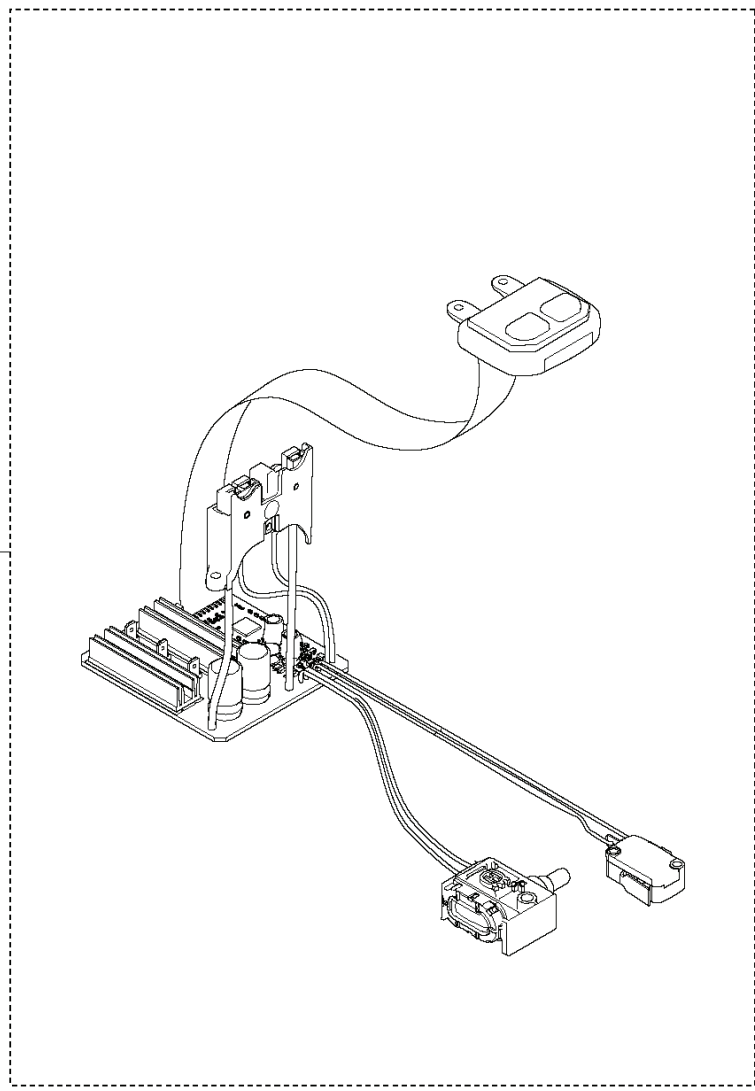
**AVERTISSEMENT**  
 Consultez et suivez les consignes de sécurité contenues dans le manuel de l'utilisateur. Le non-respect de ces instructions peut entraîner de graves blessures d'utilisateur. Un contact avec le nez peut entraîner des mouvements brusques de la chaîne vers le haut ou vers la gauche. Ceci peut causer des blessures graves à l'utilisateur. Utilisez deux mains pendant l'utilisation de la scie à chaîne. Utilisez uniquement des barres et chaînes compatibles Husqvarna. À utiliser uniquement avec des batteries homologuées de la gamme BL. Consultez le manuel d'instructions pour les recommandations sur les packs de batteries supplémentaires.

**ADVERTENCIA**  
 Lea y siga todas las precauciones de seguridad especificadas en el manual de instrucciones. El incumplimiento de estas instrucciones puede la causar lesiones personales de gravedad. El contacto con la punta puede provocar un movimiento repentino hacia arriba y hacia atrás de la espada, que podría causar graves lesiones personales. La operación de la sierra debe manipularse con las dos manos. Utilice únicamente componentes de sustitución de la espada y la cadena idénticos a los originales y fabricados por Husqvarna. Solo para usar con baterías de la serie Husqvarna BL. Consulte el manual de instrucciones para obtener más información sobre los paquetes de baterías.



REF.	PART NO.	DESCRIPTION	REMARK	QTY.	KIT
1	585819002	SCREW	ST4X16	9	
2	536503301	SPRING CASSETTE ASSY		1	
3	534991601	HOUSING ASSY	225i chainsaw	1	
4	536629301	RUBBER PLUG	LEFT	1	
5	534993101	COVER	AIR BAFFLE	1	
6	534993001	FRONT HANDLE		1	
7	585592501	SCREW	ST4.8x18	5	
8	536629201	RUBBER PLUG	RIGHT	1	
9	585602701	MOUNTING PLATE		1	
10	587426601	SCREW	ST8X16	2	
11	505288501	CHAIN CATCHER		1	
12	585819001	SCREW	ST4X12	8	
13	585818901	SCREW	ST3X8	2	
14	535395201	SCREW KIT	ST3x10	13	
15	534993301	COVER	TOP	1	
16	585589301	LEVER		1	
17	537664901	TRIGGER		1	
18	535671101	SPRING	THROTTLE	1	
19	534232501	LABEL	"14"/350mm"	1	
20	534232502	LABEL	"12"/300mm"	1	
21	534225601	LABEL	WARNING	1	
22	537512801	LABEL		1	

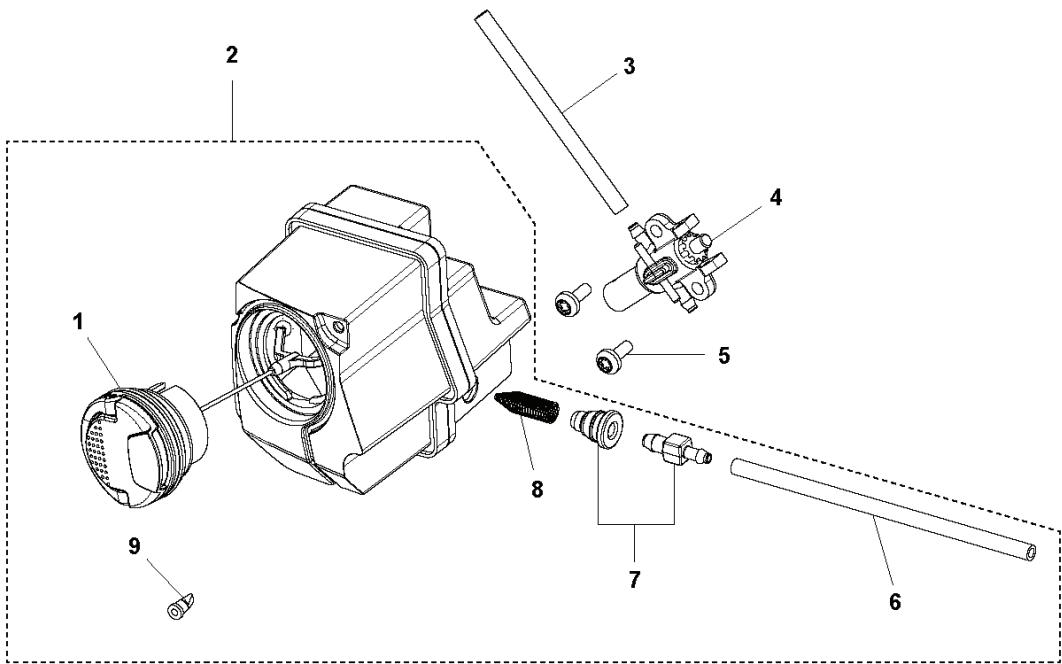
1



---

REF.	PART NO.	DESCRIPTION	REMARK	QTY.	KIT
1	535581101	ELECTRICAL SYSTEM	225i - ROW	1	
1	535581102	ELECTRICAL SYSTEM	225i - US	1	

**A** 225i  
FUEL TANK



---

REF.	PART NO.	DESCRIPTION	REMARK	QTY.	KIT
1	522620003	TANK CAP ASSY		1	
2	537648201	TANK ASSY	225i service parts	1	
3	585566601	OIL HOSE	65mm	1	
4	579043901	OIL PUMP		1	
5	586902901	SCREW	M4x10	2	
6	535670301	OIL HOSE	140mm	1	
7	537648301	SEAL	service parts	1	
8	530056533	SCREEN		1	
9	575484501	VALVE NIPPLE		1	