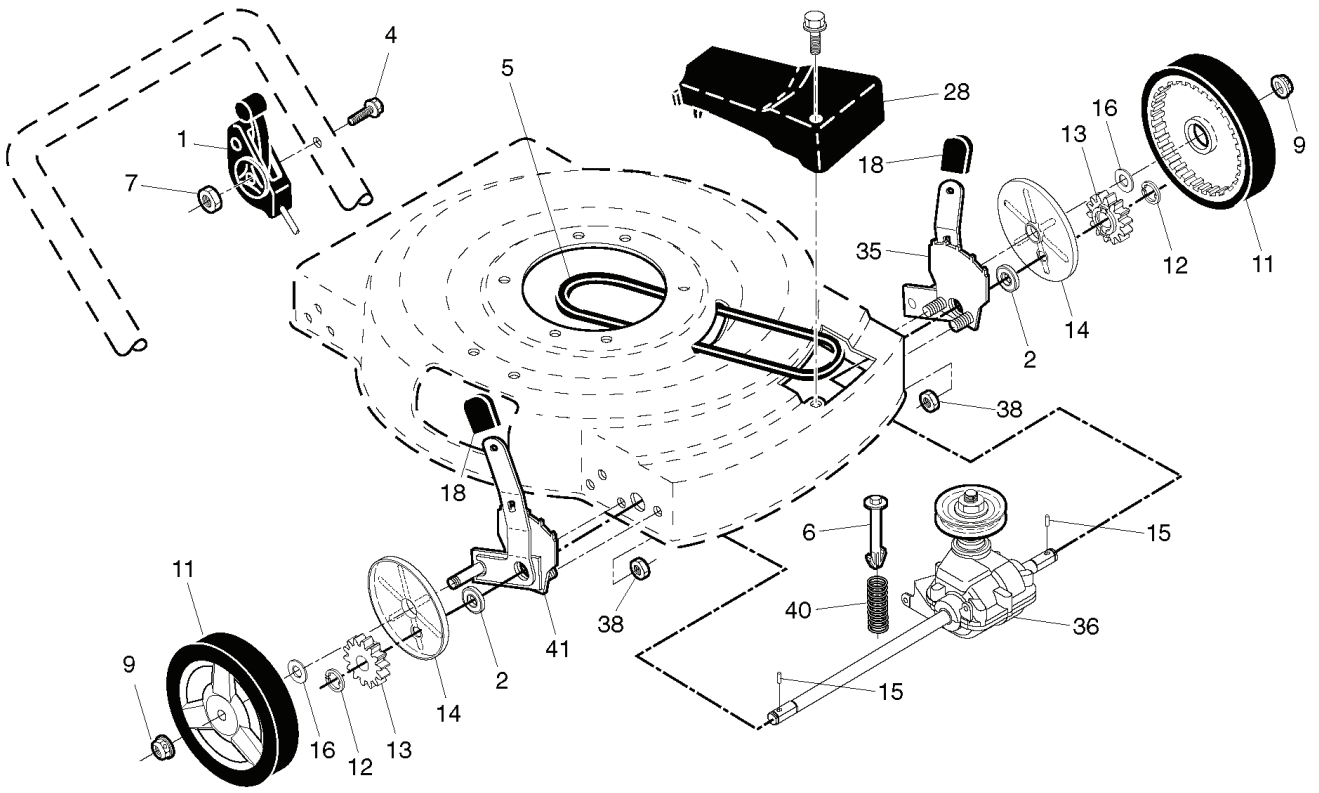
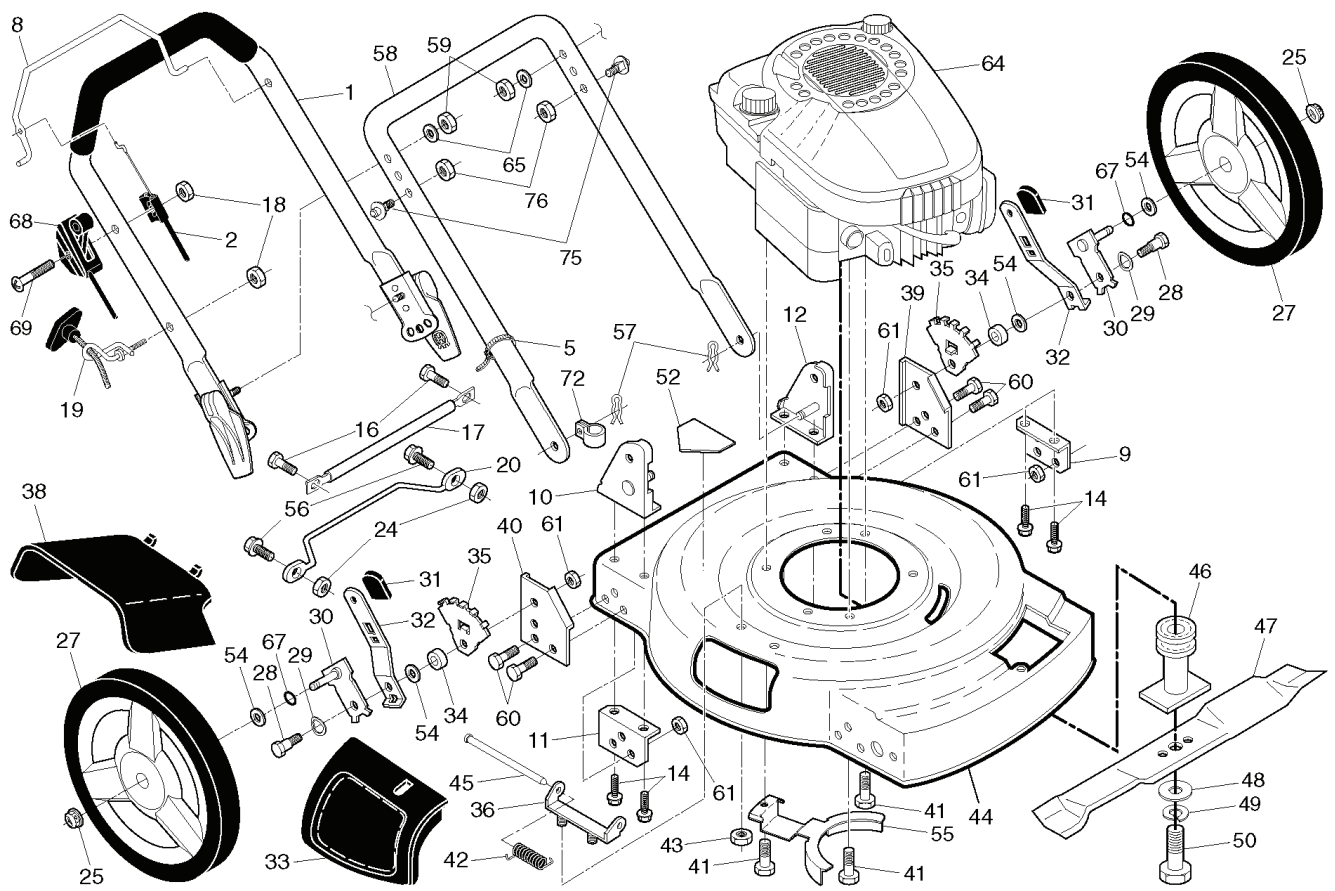


J55 SL, 96121001803, 2010-10

SPARE PARTS LIST



REF.	PART NO.	DESCRIPTION	REMARK	QTY.	KIT
1	532184588	CONTROL		1	
2	532191039	BEARING		1	
4	532158755	SCREW		1	
5	532146527	BELT		1	
6	532150495	PIN RETAINING SCREW		1	
7	532191730	NUT		1	
9	532409148	NUT		1	
11	532411081	WHEEL		1	
12	812000058	E-CLIP		1	
13	532403849	PINION		1	
14	532189403	DUST COVER		1	
15	532404845	PAWL DRIVE		1	
16	532067725	WASHER		1	
18	532132800	KNOB		1	
28	532432669	GUARD	Includes Mounting Screw & Pushnut	1	
35	532438485	ADJUSTER	LH	1	
36	532415226	GEARBOX ASSY		1	
38	873800400	NUT		1	
40	532137090	SPRING		1	
41	532438486	ADJUSTER	RH	1	



REF.	PART NO.	DESCRIPTION	REMARK	QTY.	KIT
1	532420835	HANDLE HALF		1	
2	532149293	WIRE		1	
5	532066426	HOOP		1	
8	532190527	BAR		1	
9	532195800	BRACKET	LH	1	
10	532424445	BRACKET	RH	1	
11	532195799	BRACKET	RH	1	
12	532424446	BRACKET	LH	1	
14	532149741	SCREW		1	
16	817060410	SCREW		1	
17	532177141	SUPPORT ROD		1	
18	532132004	NUT		1	
19	532194788	GUIDE		1	
20	532431995	GUARD		1	
24	532069180	NUT		1	
25	532409149	NUT		1	
27	532410815	WHEEL ASSY		1	
28	532174719	BOLT		1	
29	532401630	WASHER		1	
30	532406582	AXLE		1	
31	532132800	KNOB		1	
32	532406428	SPRING		1	
33	532196010	DOOR		1	
34	532401629	SPACER		1	
35	532410807	BRACKET		1	
36	532154132	BRACKET		1	
38	532196011	DEFLECTOR		1	
39	532419362	BRACKET	LH	1	
40	532419361	BRACKET	RH	1	
41	532150406	BOLT		1	
42	532152124	SPRING		1	
43	873800400	NUT		1	
44	532400660	HOUSING		1	
45	532147286	ROD		1	
46	532421176	ADAPTER		1	
47	532199379	BLADE		1	
48	532851074	WASHER		1	
49	532850263	WASHER		1	
50	532851084	SCREW		1	
52	532182166	DECAL		1	
54	532088348	WASHER		1	
55	532429001	KEEPER		1	
56	871191012	SCREW		1	
57	532051793	PIN		1	
58	532419363	HANDLE		1	
59	532400413	NUT		1	
60	874760612	BOLT		1	
61	873930600	NUT		1	
65	532155415	WASHER		1	
67	532197480	O-RING		1	
68	532420611	THROTTLE CONTROL		1	
69	532183365	SCREW		1	
72	532197991	CLIP		1	
75	532199255	PEN		1	
-	532182134	DECALC"WARNING"		1	
64	000000000	W/O DESCRIPTION	B&S 124T02-1254-EA	1	
76	532751153	NUT		1	