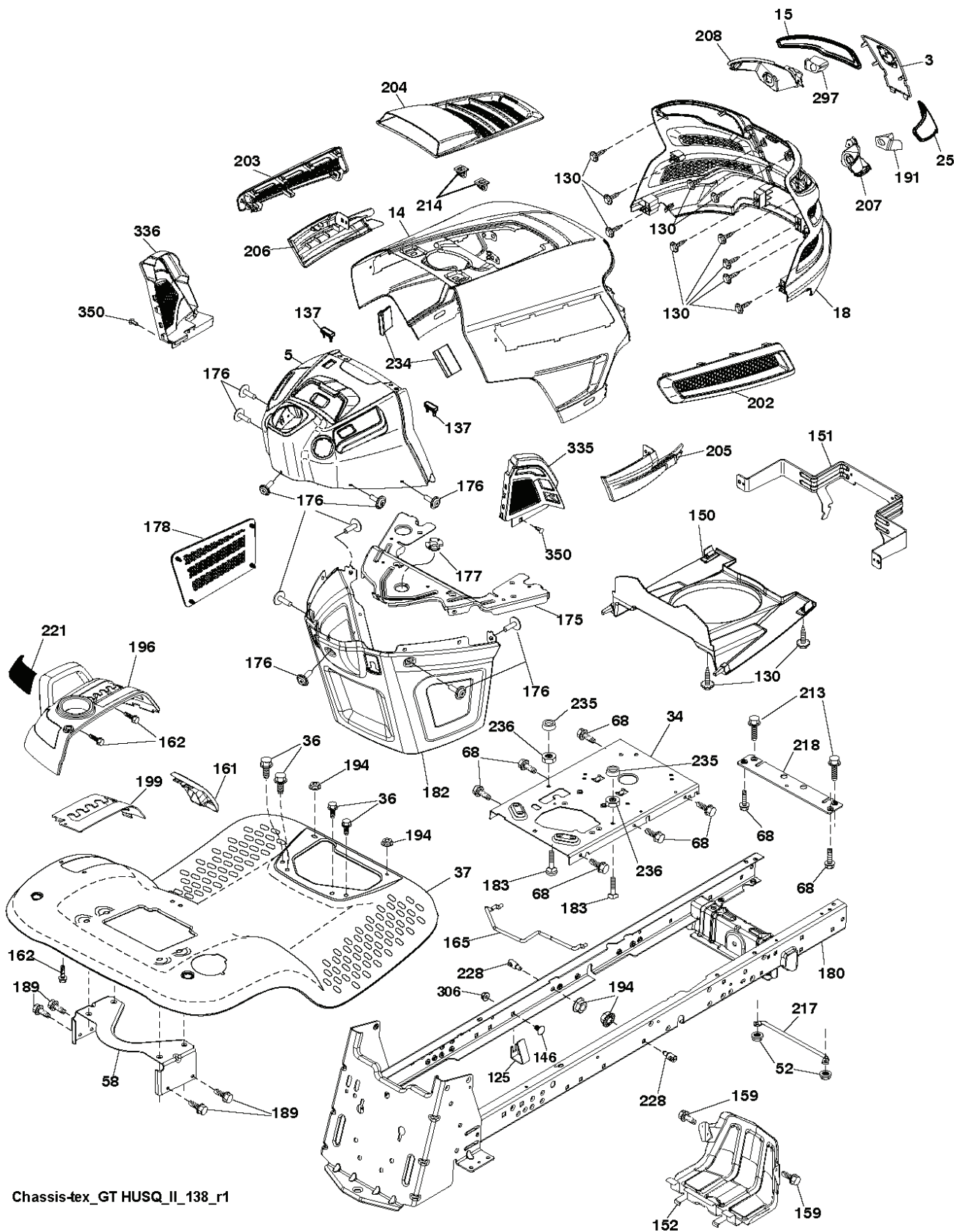


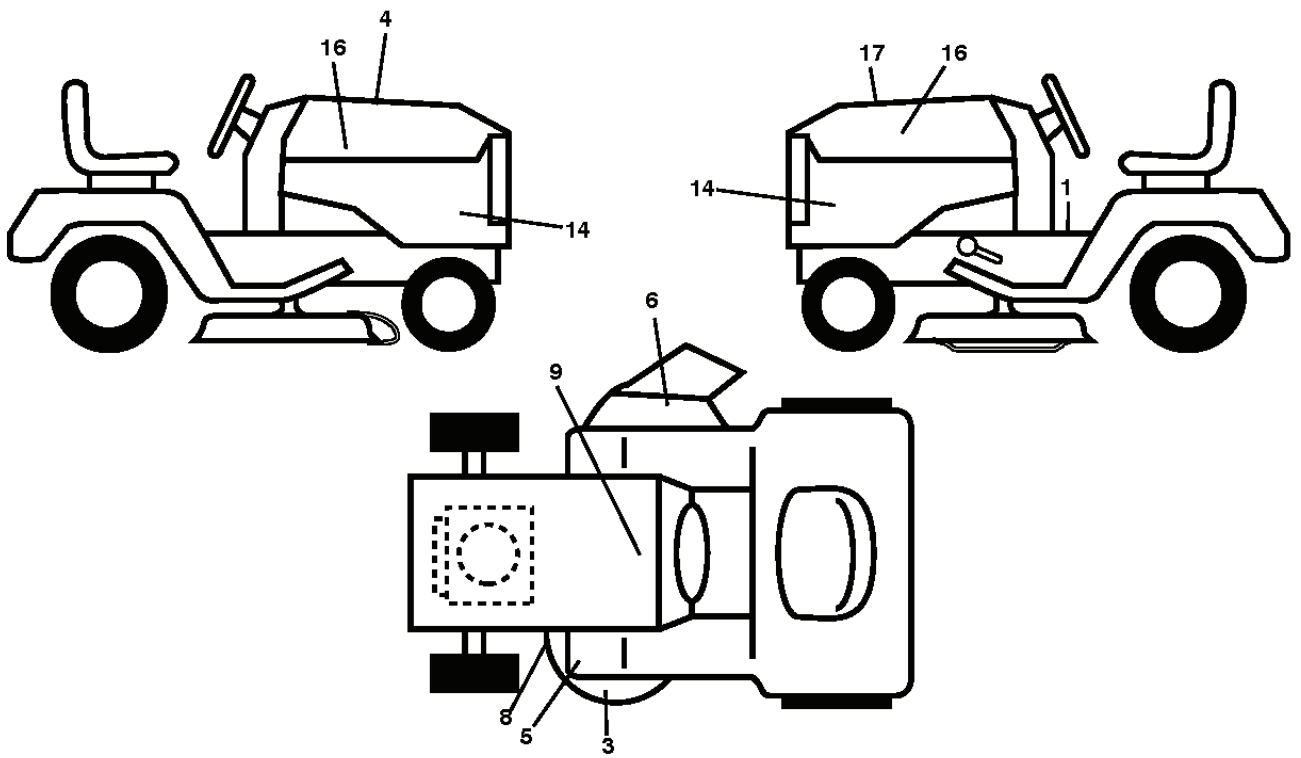
GTH24K54, 96043014901, 2013-08

SPARE PARTS LIST

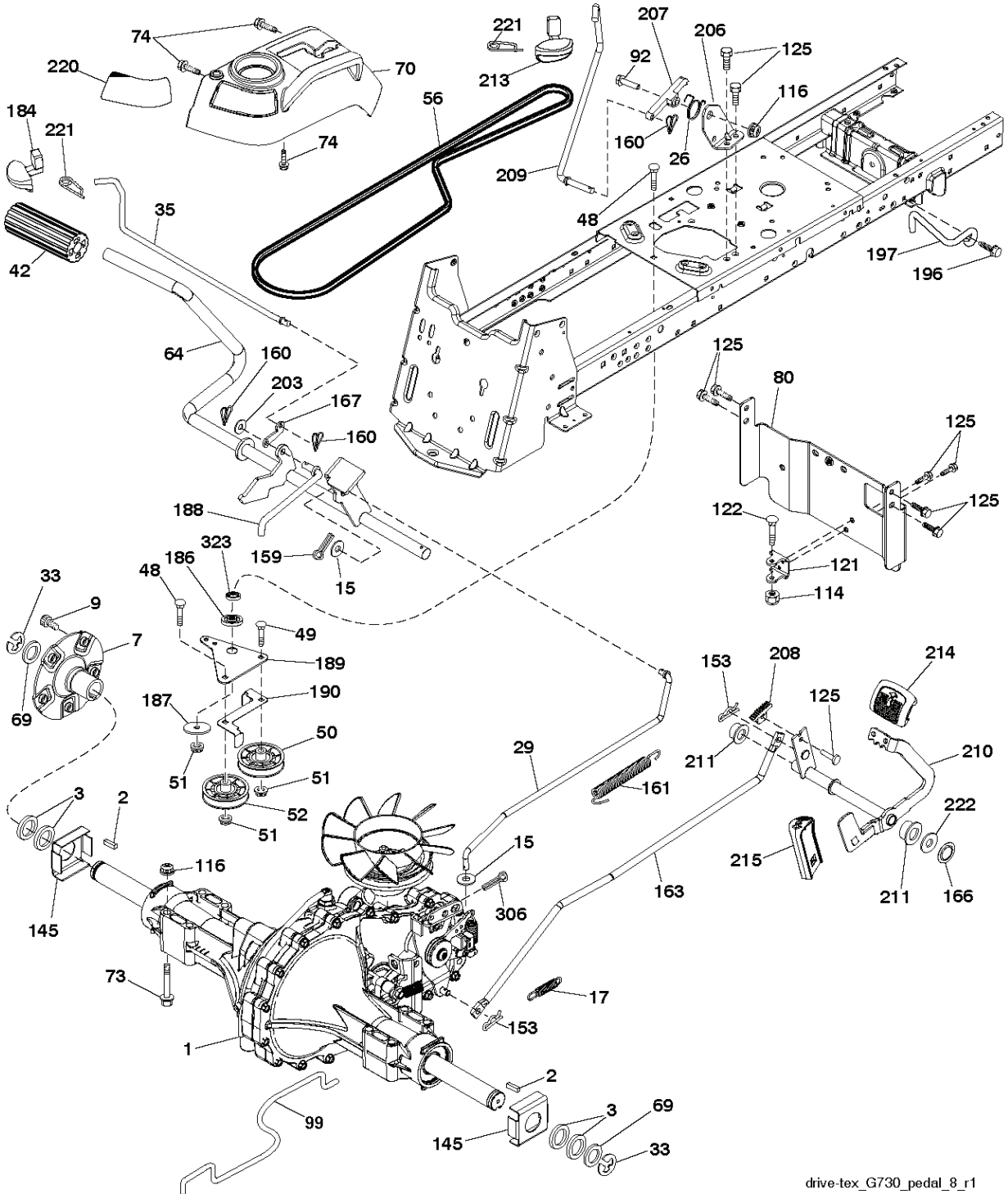


Chassis-tex_GT HUSQ_II_138_r1

REF.	PART NO.	DESCRIPTION	REMARK	QTY.	KIT
3	532439752	LOGOTYPE		1	
5	532437472	DASH		1	
14	532441177	HOOD		1	
15	532439733	LENS	LH	1	
18	532440653	GRILLE		1	
25	532443385	LENS	RH	1	
34	580910801	CHASSIS		1	
36	817060512	SCREW		1	
37	532441208	FENDER		1	
52	873680500	NUT		1	
58	532194314	BRACKET		1	
68	817490508	SCREW		1	
125	581684801	CLIP		1	
130	532416358	SCREW		1	
137	532407590	DAMPING PIECE		1	
146	581857901	BOLT		1	
150	532439774	AIR DUCT		1	
151	532436670	BRACKET		1	
152	532439870	SHIELD		1	
159	817000612	SCREW		1	
161	532439929	CONSOLE		1	
162	532142432	SCREW		1	
165	532196826	BRACKET		1	
175	532196304	SUPPORT		1	
176	532400776	SCREW		1	
177	532195228	BUSHING		1	
178	532199782	NET		1	
180	532195477	FRAME		1	
182	532406859	DASH		1	
183	874520520	BOLT		1	
189	817000512	SCREW		1	
191	532437455	INSERT		1	
194	873900500	NUT		1	
196	532439716	CONSOLE		1	
199	532198259	PLATE		1	
202	532439728	COVER	RH	1	
203	532439727	COVER	LH	1	
204	532435714	COVER		1	
205	532439730	SKIRT	RH	1	
206	532439729	SKIRT	LH	1	
207	532439734	CUP	RH	1	
208	532439735	CUP	LH	1	
213	874760512	BOLT		1	
214	532199145	CLIP		1	
217	532409167	ROD		1	
218	532196395	PLATE		1	
221	532198909	LENS	LH	1	
228	532195161	STUD		1	
234	532404742	DAMPING PIECE		1	
235	532406129	SPACER		1	
236	873930500	NUT		1	
297	532437456	INSERT		1	
306	873900600	NUT		1	
335	532448204	COVER		1	
336	532445309	COVER		1	
350	532445143	CLIP		1	
--	532400944	FRONT BUMPER	*SUBS/2*	1	

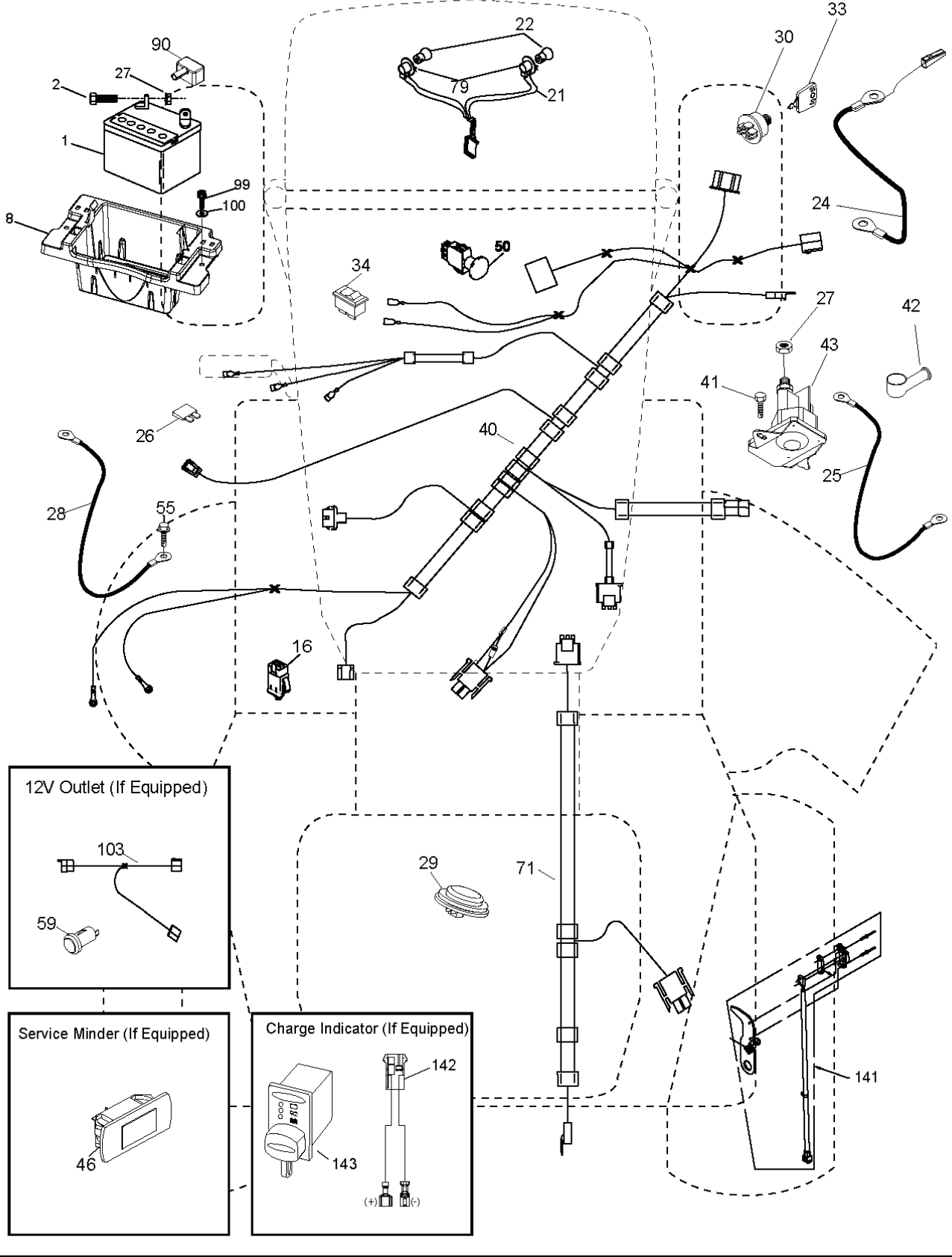


REF.	PART NO.	DESCRIPTION	REMARK	QTY.	KIT
1	581578901	DECAL		1	
3	581724502	DECAL		1	
4	532423829	DECAL		1	
5	532418600	DECAL		1	
6	584904601	DECAL		1	
8	581580002	DECAL		1	
9	532145005	DECAL		1	
14	581535301	DECAL		1	
16	581627301	DECAL		1	
--	581724801	DECAL		1	
--	532439882	PAD	LH	1	
--	532439881	PAD	RH	1	



REF.	PART NO.	DESCRIPTION	REMARK	QTY.	KIT
1	000000000	W/O DESCRIPTION	TRANSAXLE HYDRO G7- BCBB-1XDC-1FCA (420331)	1	
2	532007070	KEY		1	
3	532007563	WASHER		1	
7	532199837	WHEEL		1	
9	532140080	BOLT		1	
15	819131316	WASHER		1	
17	532197296	SPRING		1	
26	532199679	SPRING		1	
29	532418186	*MUD TIE AND WHEEL FRONT PASSE		1	
33	812000053	E-CLIP		1	
35	583864501	ROD		1	
42	532124872	PEDAL RUBBER		1	
48	872110612	BOLT		1	
49	872110614	BOLT		1	
50	532194327	PULLEY		1	
51	873900600	NUT		1	
52	532194326	PULLEY		1	
56	532420807	BELT		1	
64	532197865	SHAFT		1	
69	532123800	WASHER		1	
70	532439661	CONSOLE		1	
73	874490548	BOLT		1	
74	532142432	SCREW		1	
80	532418184	STRAP TORQUE		1	
92	874760520	BOLT		1	
99	532418188	*1 FRONT MUD TIRE AND ALLOY W		1	
114	873800500	LOCK NUT		1	
116	873900500	NUT		1	
121	532175611	CHAPPE DE FIXATION		1	
122	872010520	BOLT		1	
125	817000512	SCREW		1	
145	532163168	WASHER		1	
153	532124788	RETAINER RING		1	
159	876020412	SPLIT PIN		1	
160	532169484	PIN		1	
161	532105709	SPRING		1	
163	532418185	*MUD TIRE AND WHEEL FRONT 1		1	
166	532429164	NUT		1	
167	532405257	LATCH		1	
184	532441455	HANDLE		1	
186	532194321	SPACER		1	
187	819133210	WASHER		1	
188	532194323	LINK		1	
189	532407504	DECAL		1	
190	532407505	SPRING		1	
196	817000616	SCREW		1	
197	585658601	CLUTCH		1	
203	819111116	WASHER		1	
206	532197867	BRACKET		1	
207	532197868	LATCH		1	
208	532197869	SUPPORT		1	
209	532199592	ROD		1	
210	532197860	ARM		1	
211	532120183	BEARING		1	
213	532403119	CONTROL		1	
214	532421263	PAD		1	
215	532401723	PEDAL		1	
220	532198908	LENS		1	
221	532403187	SPRING		1	
222	879212010	WASHER		1	
306	876020416	SPLIT PIN		1	
323	585714101	SLEEVE		1	

T09S



12V Outlet (If Equipped)

103

59

Service Minder (If Equipped)

46

Charge Indicator (If Equipped)

143

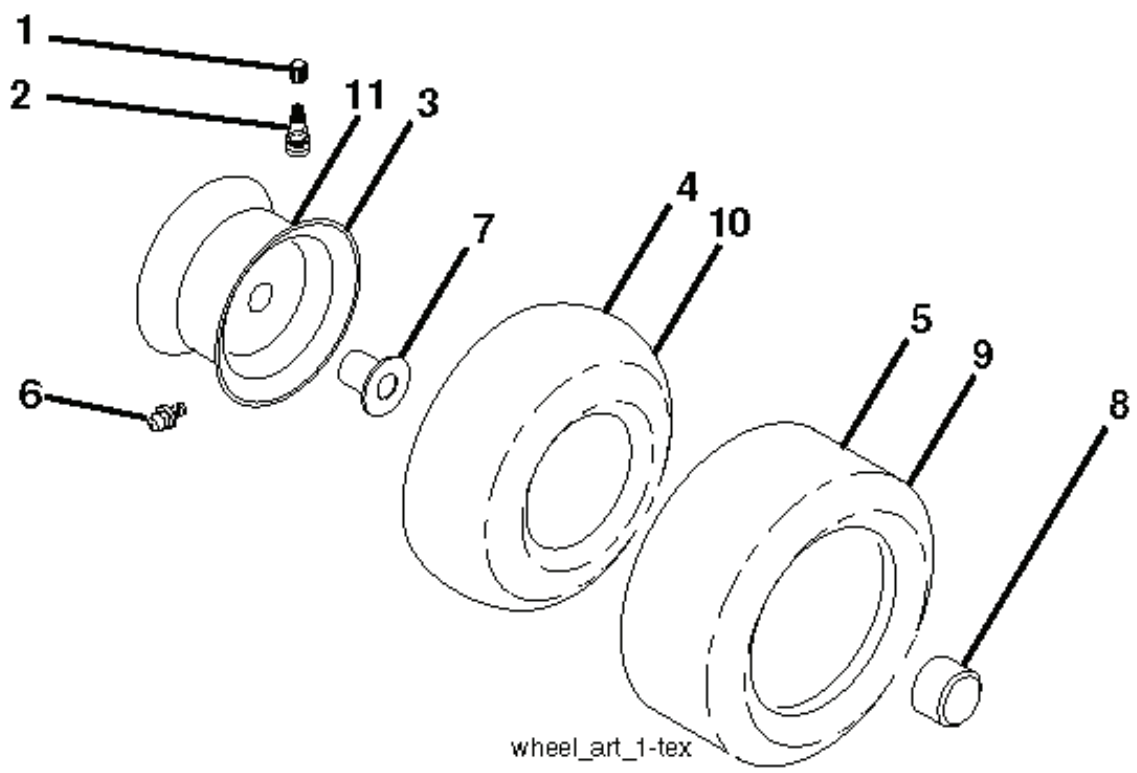
142

(+)

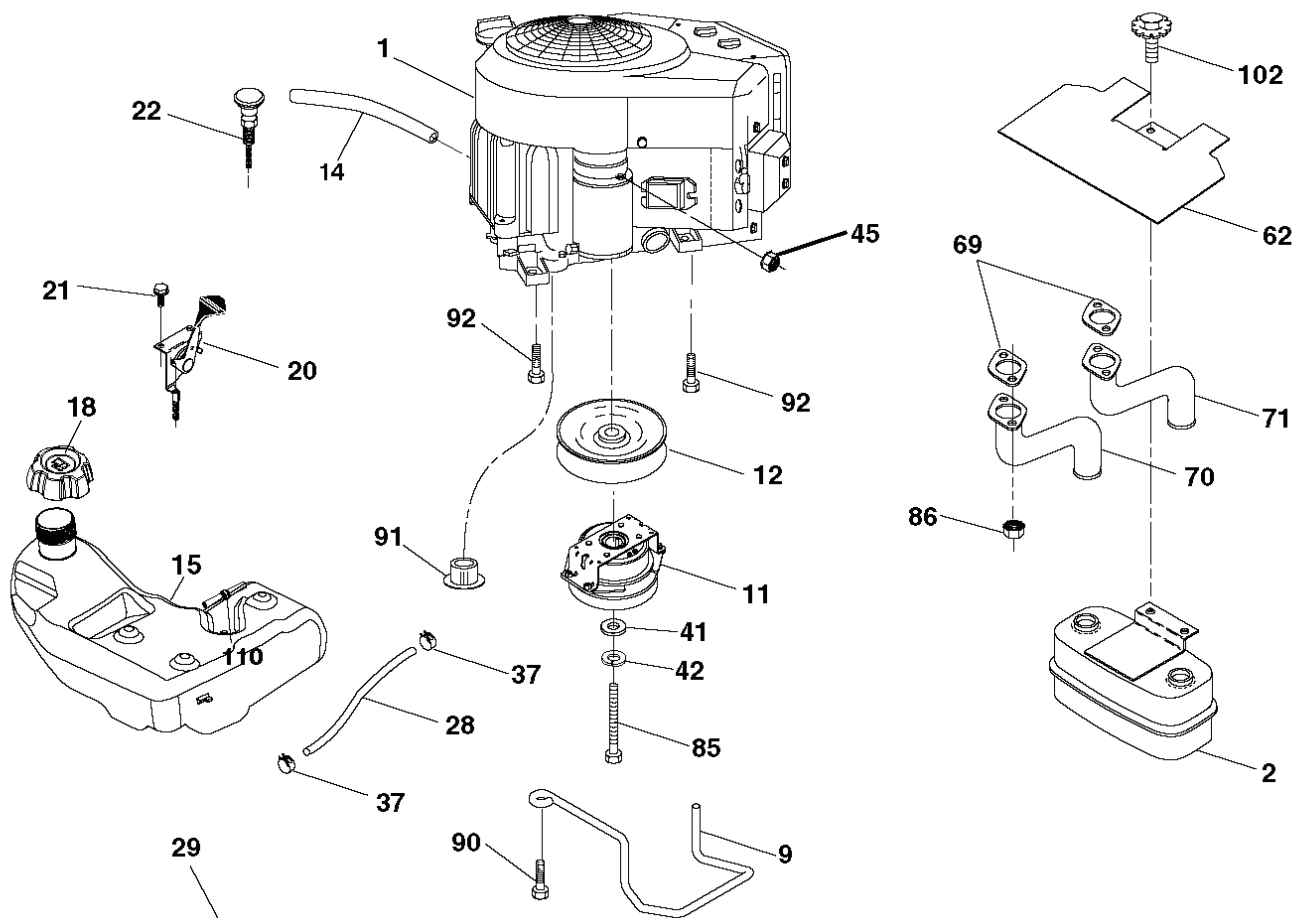
(-)

REF.	PART NO.	DESCRIPTION	REMARK	QTY.	KIT
1	532163465	BATTERY		1	
2	874760412	BOLT		1	
8	587205101	TRAY		1	
16	532176138	MICRO SWITCH		1	
21	532400252	HARNESS		1	
22	532004152	BULB		1	
24	532400253	CABLE		1	
25	532412895	CABLE.STARTER.6G.BL/RE*SUBS/2*		1	
26	532175158	FUSE		1	
27	873510400	NUT		1	
28	532145491	CABLE		1	
29	532401545	SWITCH		1	
30	532193350	IGNITION MODULE		1	
33	532411933	KEY		1	
34	532110712	SWITCH		1	
40	532401104	CABLE ASSY		1	
41	817720408	SCREW		1	
42	532131563	COVER		1	
43	532192507	SOLENOID		1	
46	532401763	DISPLAY		1	
50	532174651	SWITCH		1	
55	817060512	SCREW		1	
59	532400303	OUTLET-12 VOLT		1	
71	532194276	CABLE ASSY		1	
79	532175242	HOLDER		1	
90	532435395	TERMINAL COVER		1	
99	817670412	SCREW		1	
100	819091416	WASHER		1	
103	532407962	CABLE		1	
141	532421225	KIT.G700/G730.ROSS.SERV(71750)		1	

REF.	PART NO.	DESCRIPTION	REMARK	QTY.	KIT
1	532439740	STEERING WHEEL		1	
2	532195968	SHAFT		1	
4	532403089	SPINDLE SHAFT	LH	1	
5	532403090	SPINDLE SHAFT	RH	1	
6	532124931	WASHER		1	
7	532121748	WASHER		1	
8	812000029	RETAINER RING		1	
9	532121232	HUB CAP		1	
13	532121749	WASHER		1	
14	810040600	WASHER		1	
15	873540600	NUT		1	
16	587016002	SHAFT		1	
19	532194729	PLATE		1	
21	586840201	ADAPTER		1	
22	585029802	BEARING		1	
26	532439743	HUB CAP		1	
27	819211616	WASHER		1	
28	817000612	SCREW		1	
35	532194732	PLATE		1	
45	587016401	WASHER		1	
50	873900600	NUT		1	
53	532188967	WASHER		1	
57	532197246	BRACKET		1	
58	532194747	BOLT		1	
59	532194748	WASHER		1	
60	873971000	NUT		1	
61	532194740	LINK	LH	1	
62	532194741	LINK	RH	1	
63	817000512	SCREW		1	
64	532199849	SPRING RETAINER		1	
66	871020748	BOLT		1	
67	532194737	BUSHING		1	
68	873900700	NUT		1	
69	532199162	WASHER		1	
70	532196197	BRACKET		1	
75	580683702	PINION		1	
76	580683601	SCREW		1	
122	532444962	CAP		1	



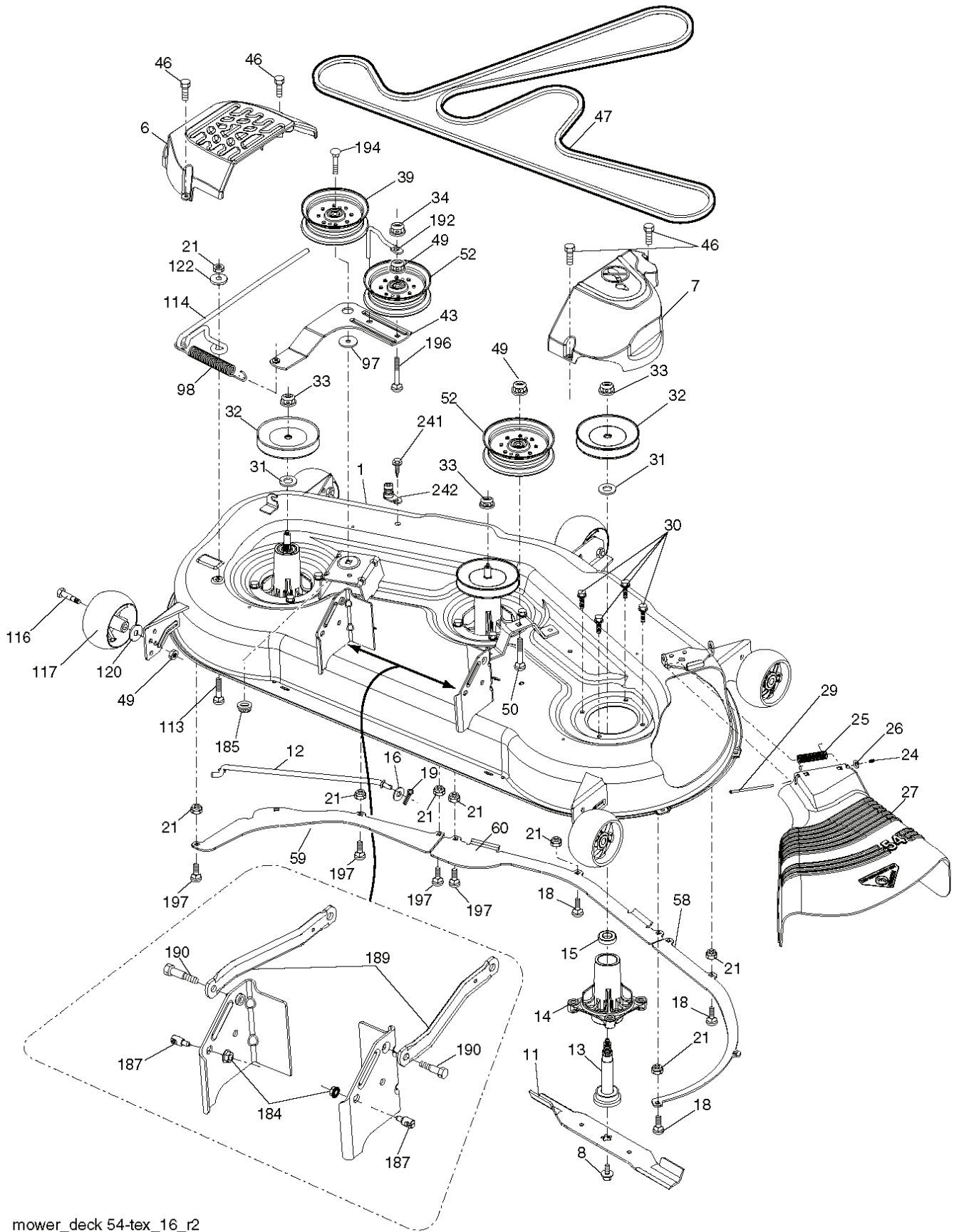
REF.	PART NO.	DESCRIPTION	REMARK	QTY.	KIT
1	532059192	CAP VALVE		1	
2	532065139	NIPPLE		1	
3	532181839	RIM ASSY	FRONT	1	
4	532008134	HOSE	FRONT (SERVICE ITEM ONLY)	1	
5	532106230	TIRE	FRONT	1	
6	532124957	FITTING	FRONT WHEEL ONLY	1	
7	532124959	BEARING	FRONT WHEEL ONLY	1	
8	532175039	HUB CAP		1	
9	532122077	TIRE	REAR	1	
10	532007154	HOSE	REAR (SERVICE ITEM ONLY)	1	
11	532401782	RIM	REAR	1	
--	532144334	SEALING FOAM		1	



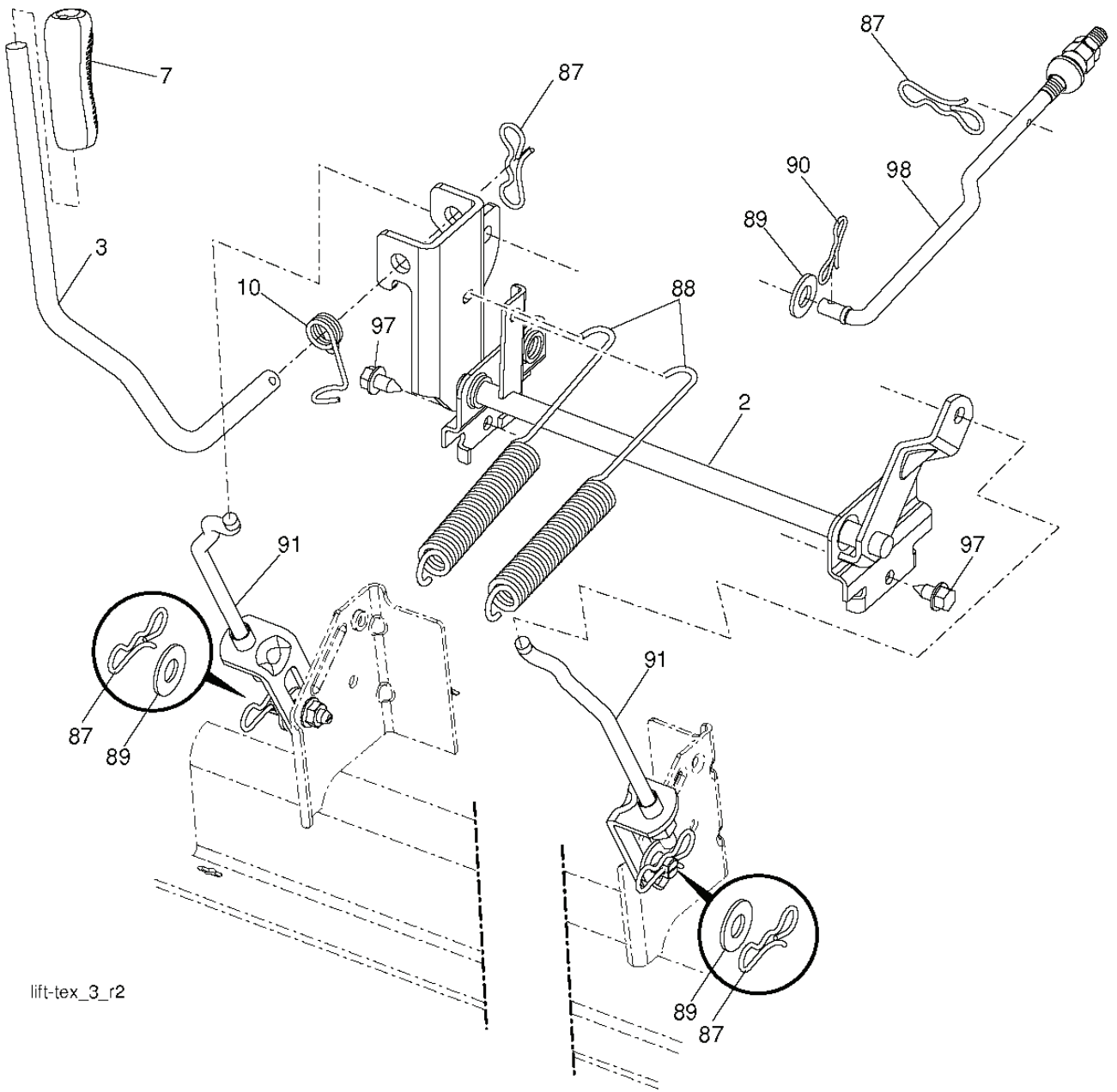
SPARK ARRESTER KIT

engine-tex_Kawa-2cyl_50

REF.	PART NO.	DESCRIPTION	REMARK	QTY.	KIT
1	000000000	W/O DESCRIPTION	ENGINE KAWA MODEL NO. FR730V-DS04 (445363)	1	
2	532445962	MUFFLER		1	
9	532408667	INSERT REFLECTIVE LH		1	
11	587241401	CLUTCH		1	
12	532194343	PULLEY		1	
14	532148456	TUBE		1	
15	532438081	FUEL TANK ASSY		1	
18	532439208	HUB CAP		1	
20	532412165	CABLE		1	
21	532416358	SCREW		1	
22	532191596	COMMA*RPL.PAR 532187767428		1	
28	532401135	LINE.FUEL.64*REAR.EMIS		1	
29	532137180	SPARK ARRESTER KIT		1	
37	532123487	HOSE CLAMP		1	
41	532126197	WASHER		1	
42	810040700	WASHER		1	
45	873510400	NUT		1	
62	532434017	SHIELD		1	
69	532178151	MUFFLER GASKET		1	
70	583955601	TUBE	LH	1	
71	583955701	TUBE	RH	1	
85	581636201	BOLT		1	
86	532184362	NUT		1	
90	817000616	SCREW		1	
91	532187495	BUSHING		1	
92	817120616	SCREW		1	
102	817000512	SCREW		1	
--	532414118	VALVE ASSY		1	

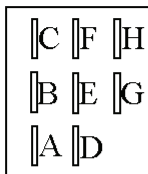
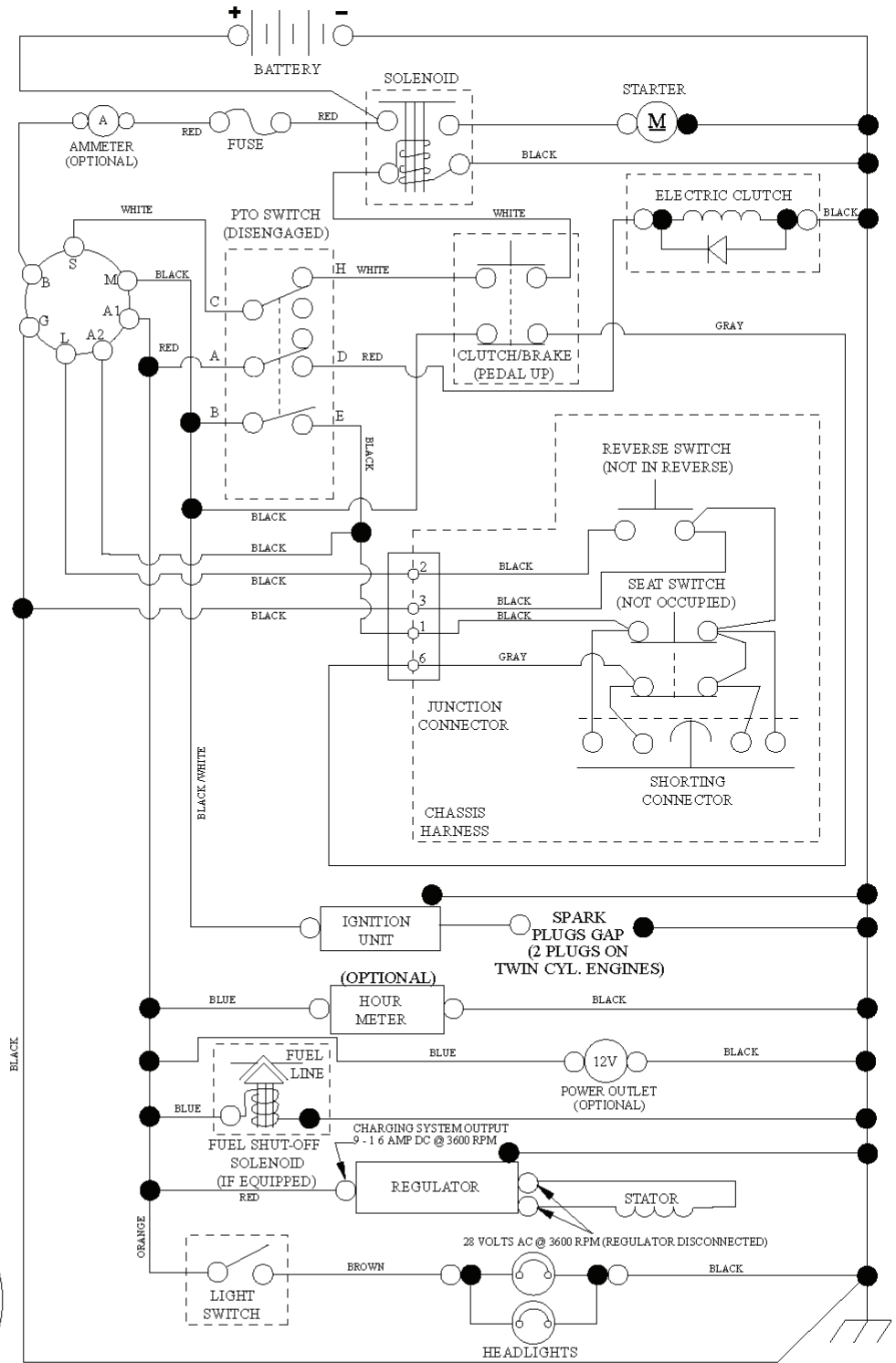


REF.	PART NO.	DESCRIPTION	REMARK	QTY.	KIT
1	532445061	CUTTING DECK		1	
6	532196066	COVER	LH	1	
7	532197181	COVER	RH	1	
8	532193003	SCREW		1	
11	532187256	RIDE ON BLADE		1	
12	532400337	TIGE ANTI-ROULLIS		1	
13	532187291	SHAFT		1	
14	532187281	BEARING HOUSING		1	
16	819131312	WASHER		1	
15	532110485	BEARING		1	
18	872140505	BOLT		1	
19	532194208	PIN		1	
21	873680500	NUT		1	
24	532105304	HUB CAP		1	
25	532178102	SPRING		1	
26	532110452	NUT		1	
27	532188938	DEFLECTOR		1	
29	532131491	SHAFT		1	
30	532173984	SCREW		1	
31	532187690	WASHER		1	
32	532153535	PULLEY		1	
33	532400234	NUT		1	
34	873680600	NUT		1	
39	532197380	PULLEY		1	
43	532196065	ARM		1	
46	532137729	SCREW		1	
47	587686701	BELT		1	
49	873900600	NUT		1	
50	872110616	BOLT		1	
52	532197379	PULLEY		1	
58	532187342	BAFFLE	RIGHT	1	
59	532187344	BAFFLE	LEFT	1	
60	532187607	BAFFLE	CENTER	1	
97	532178515	WASHER		1	
98	532196105	SPRING		1	
113	872110508	BOLT		1	
114	532187556	ROD TENSION RELIEF		1	
116	532193406	BOLT		1	
117	532174873	WHEEL		1	
120	819132012	WASHER		1	
122	532187557	BUSHING		1	
184	873900500	NUT		1	
185	873900700	NUT		1	
187	532195161	STUD		1	
189	532195185	ARM		1	
190	532196539	BOLT		1	
192	532198468	BELT GUIDE		1	
194	874490736	BOLT		1	
196	872140620	BOLT		1	
241	532152927	SCREW		1	
242	532415598	HOSE COUPLING		1	
197	872140508	BOLT		1	
--	532416405	COUPLING		1	
--	532187292	MANDREL		1	
--	532418229	DECK ASSY	REPLACEMENT MOWER	1	

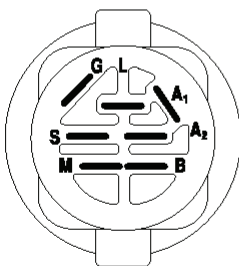


lift-tex_3_r2

REF.	PART NO.	DESCRIPTION	REMARK	QTY.	KIT
2	532422027	SHAFT		1	
3	532195230	LEVER	RH	1	
7	580962301	GRIP		1	
10	532196314	SPRING		1	
87	532194209	SPRING		1	
88	532195304	SPRING		1	
89	819191912	WASHER		1	
90	532194208	PIN		1	
91	532403407	LINK		1	
97	817000612	SCREW		1	
98	532195264	LINK		1	

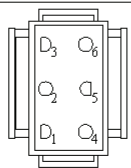


PTO SWITCH
(MATING SIDE)

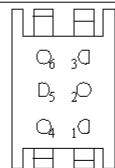


IGNITION SWITCH

POSITION	CIRCUIT "MAKE"
OFF	M+G+A1
RUN/OVERRIDE	B+A1
RUN	B+A1 L+A2
START	B + S + A1

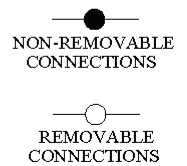


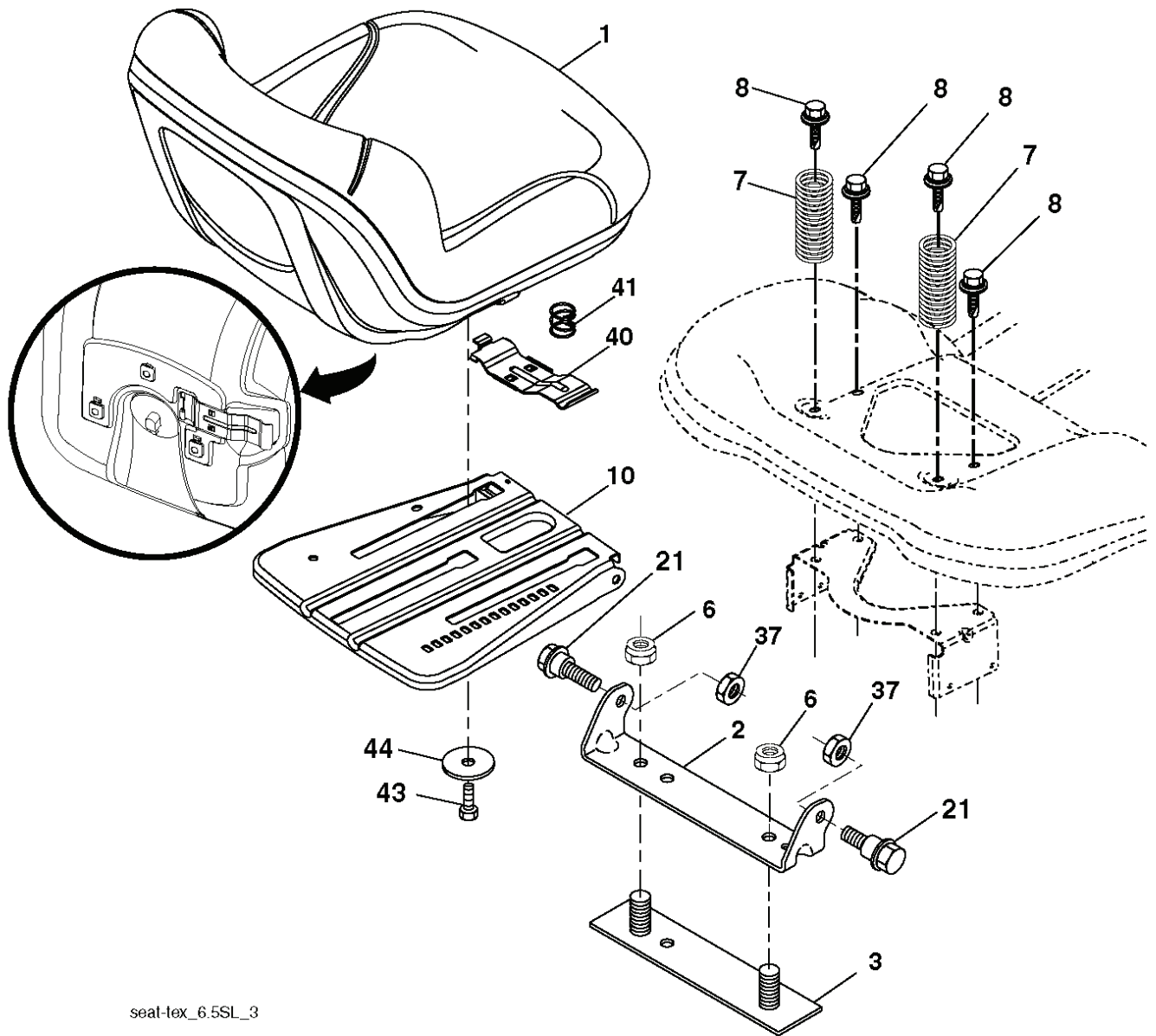
CHASSIS HARNESS
CONNECTOR
(MATING SIDE)



DASH HARNESS
CONNECTOR

WIRING INSULATED CLIPS
NOTE: IF WIRING INSULATED
CLIPS WERE REMOVED FOR
SERVICING OF UNIT, THEY
SHOULD BE RE-INSTALLED TO
PROPERLY SECURE YOUR
WIRING.





seal-tex_6.5SL_3

REF.	PART NO.	DESCRIPTION	REMARK	QTY.	KIT
1	532443263	SEAT		1	
2	532180166	BRACKET		1	
3	532140675	STRAP		1	
6	873800600	NUT		1	
7	532124181	SPRING		1	
8	532171877	BOLT		1	
10	532196977	PLATE		1	
21	532171852	BOLT		1	
37	873800500	LOCK NUT		1	
40	532197661	HANDLE		1	
41	532198200	SPRING		1	
43	874760612	BOLT		1	
44	819133812	WASHER		1	
	PART NO.		REMARK		KIT