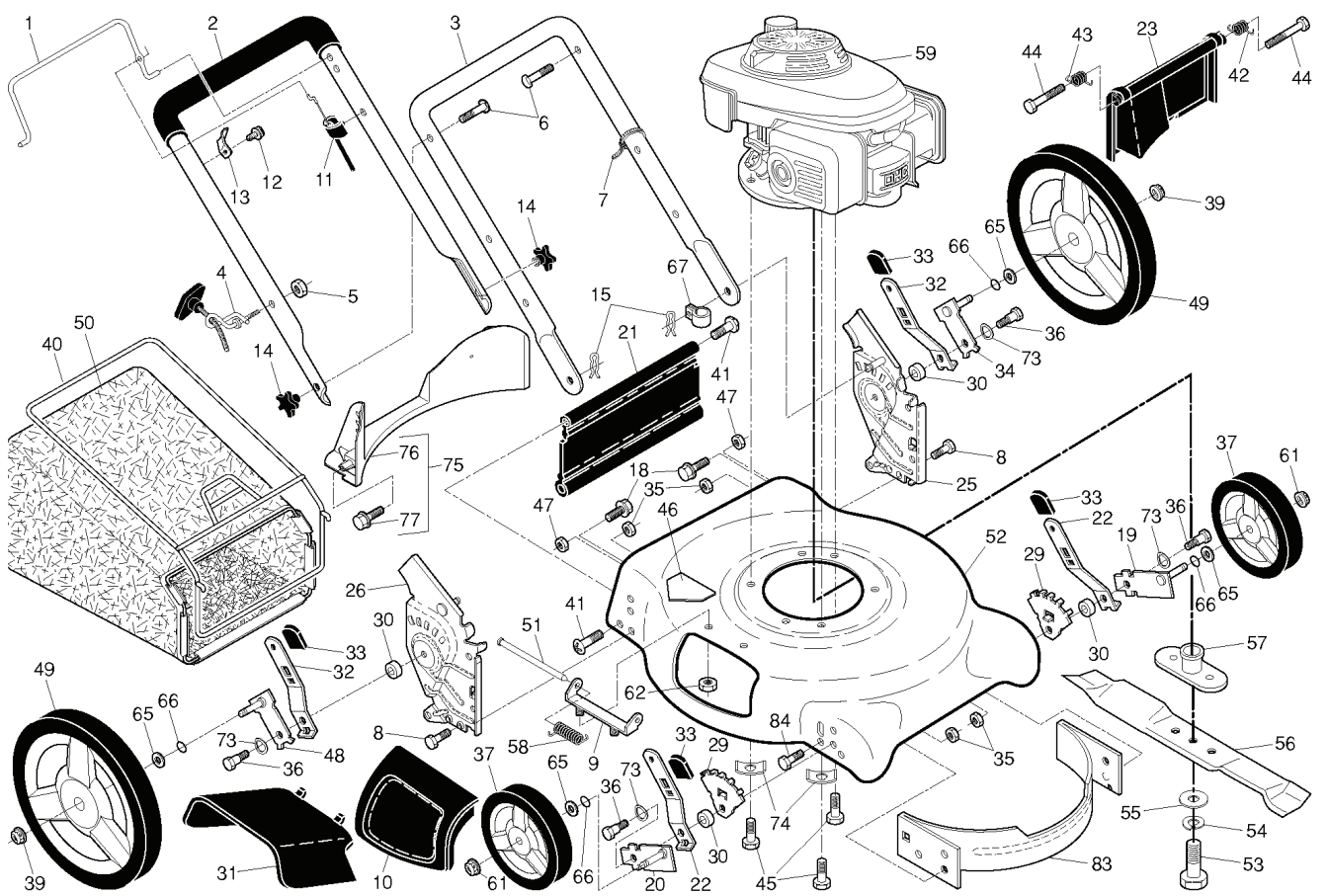


6021 P, 96133001501, 2012-01

---

# **SPARE PARTS LIST**



| REF. | PART NO.  | DESCRIPTION               | REMARK   | QTY. | KIT |
|------|-----------|---------------------------|--|------|-----|
| 1    | 532197203 | CONTROL BAR               |  | 1    |     |
| 2    | 532448516 | HANDLE ASSY               | INCL FOAM GRIP                                       | 1    |     |
| 3    | 532434726 | HANDLE                    |  | 1    |     |
| 4    | 532194788 | GUIDE                     |  | 1    |     |
| 5    | 532132004 | NUT                       |  | 1    |     |
| 6    | 532191574 | SCREW                     |  | 1    |     |
| 7    | 532066426 | HOOP                      |  | 1    |     |
| 8    | 874780512 | SCREW                     |  | 1    |     |
| 9    | 532154132 | BRACKET                   |  | 1    |     |
| 10   | 532185589 | DOOR                      |  | 1    |     |
| 11   | 532440934 | CABLE                     |  | 1    |     |
| 12   | 532178848 | SCREW                     |  | 1    |     |
| 13   | 532430034 | BRACKET                   |  | 1    |     |
| 14   | 532182398 | KNOB                      |  | 1    |     |
| 15   | 532051793 | PIN                       |  | 1    |     |
| 18   | 817600406 | SCREW                     |  | 1    |     |
| 19   | 532406689 | AXLE                      | LH   | 1    |     |
| 20   | 532406690 | AXLE                      | RH   | 1    |     |
| 21   | 532418655 | KIT SKIRT 21 DOMED W/LIP  |  | 1    |     |
| 22   | 532406428 | SPRING                    | FRONT  | 1    |     |
| 23   | 532410603 | DEFLECTOR                 |  | 1    |     |
| 25   | 532446560 | BRACKET                   | LH   | 1    |     |
| 26   | 532446562 | BRACKET                   | RH   | 1    |     |
| 29   | 532410594 | WHEEL ADJ BRACKET FRONT   | FRONT  | 1    |     |
| 30   | 532401629 | SPACER                    |  | 1    |     |
| 31   | 532185595 | DEFLECTOR                 |  | 1    |     |
| 32   | 532410595 | SPRING                    | REAR   | 1    |     |
| 33   | 532087877 | KNOB                      |  | 1    |     |
| 34   | 532410600 | AXLE                      | LH   | 1    |     |
| 35   | 532426589 | NUT                       |  | 1    |     |
| 36   | 532401638 | BOLT                      |  | 1    |     |
| 37   | 532413183 | WHEEL AND TIRE ASSY. REAR |  | 1    |     |
| 39   | 532409149 | NUT                       |  | 1    |     |
| 40   | 532411949 | FRAME                     |  | 1    |     |
| 41   | 532194186 | SCREW                     |  | 1    |     |
| 42   | 532405421 | SPRING                    | LH   | 1    |     |
| 43   | 532405423 | SPRING                    | RH   | 1    |     |
| 44   | 532184193 | BOLT                      |  | 1    |     |
| 45   | 532150406 | BOLT                      |  | 1    |     |
| 46   | 532404763 | DECAL                     |  | 1    |     |
| 47   | 532751153 | NUT                       |  | 1    |     |
| 48   | 532410601 | AXLE                      | RH   | 1    |     |
| 49   | 532448173 | WHEEL                     |  | 1    |     |
| 50   | 532194715 | GBAG.2323247.SILVER       |  | 1    |     |
| 51   | 532147286 | ROD                       |  | 1    |     |
| 52   | 532441950 | KIT                       |  | 1    | 46  |
| 53   | 532851084 | SCREW                     |  | 1    |     |
| 54   | 532850263 | WASHER                    |  | 1    |     |
| 55   | 532851074 | WASHER                    |  | 1    |     |
| 56   | 532406712 | MOWER BLADE               |  | 1    |     |
| 57   | 532418373 | ADAPTER                   |  | 1    |     |
| 58   | 532152124 | SPRING                    |  | 1    |     |
| 59   | 000000000 | W/O DESCRIPTION           | KOHLER XT149-3311 FOR SERVICE & PARTS 1-800-544-2444 | 1    |     |
| 61   | 532409148 | NUT                       |  | 1    |     |
| 62   | 873800400 | NUT                       |  | 1    |     |
| 65   | 532088348 | WASHER                    |  | 1    |     |
| 66   | 532197480 | O-RING                    |  | 1    |     |
| 73   | 532401630 | WASHER                    |  | 1    |     |
| 74   | 532125078 | WASHER                    |  | 1    |     |
| 75   | 532413693 | KIT                       | INCL 3 SCREWS  | 1    |     |
| 76   | 532410589 | BAFFLE                    |  | 1    |     |
| 77   | 817411312 | SCREW                     |  | 1    |     |
| 83   | 532428501 | BAFFLE                    |  | 1    |     |
| 84   | 817000510 | BOLT                      |  | 1    |     |
|      | 532404764 | DECAL                     | NOT SHOWN  | 1    |     |