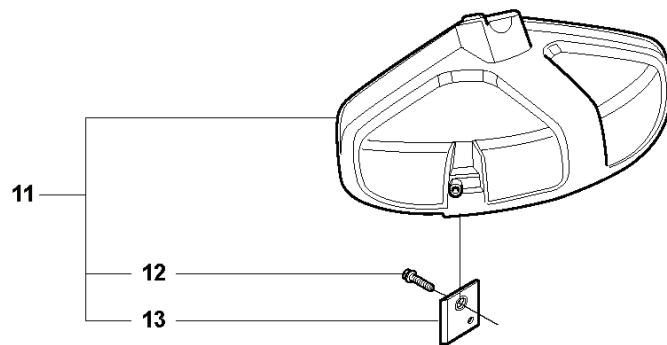
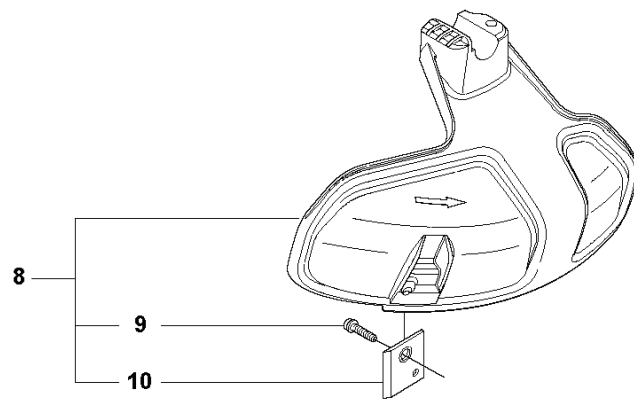
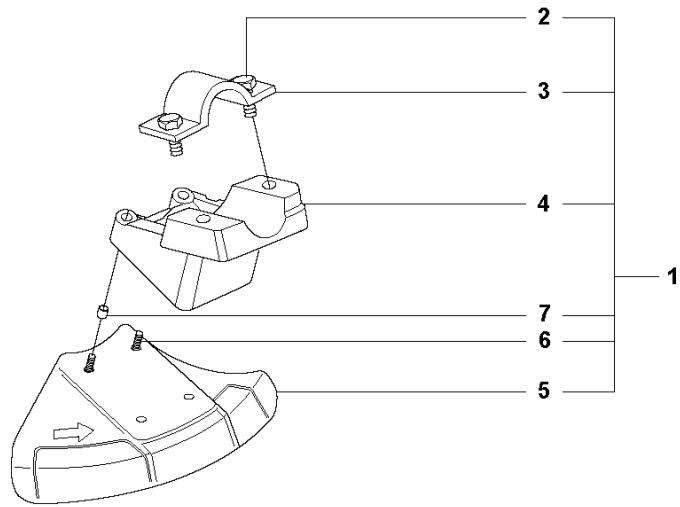


327 LDx, 20120100001-Current

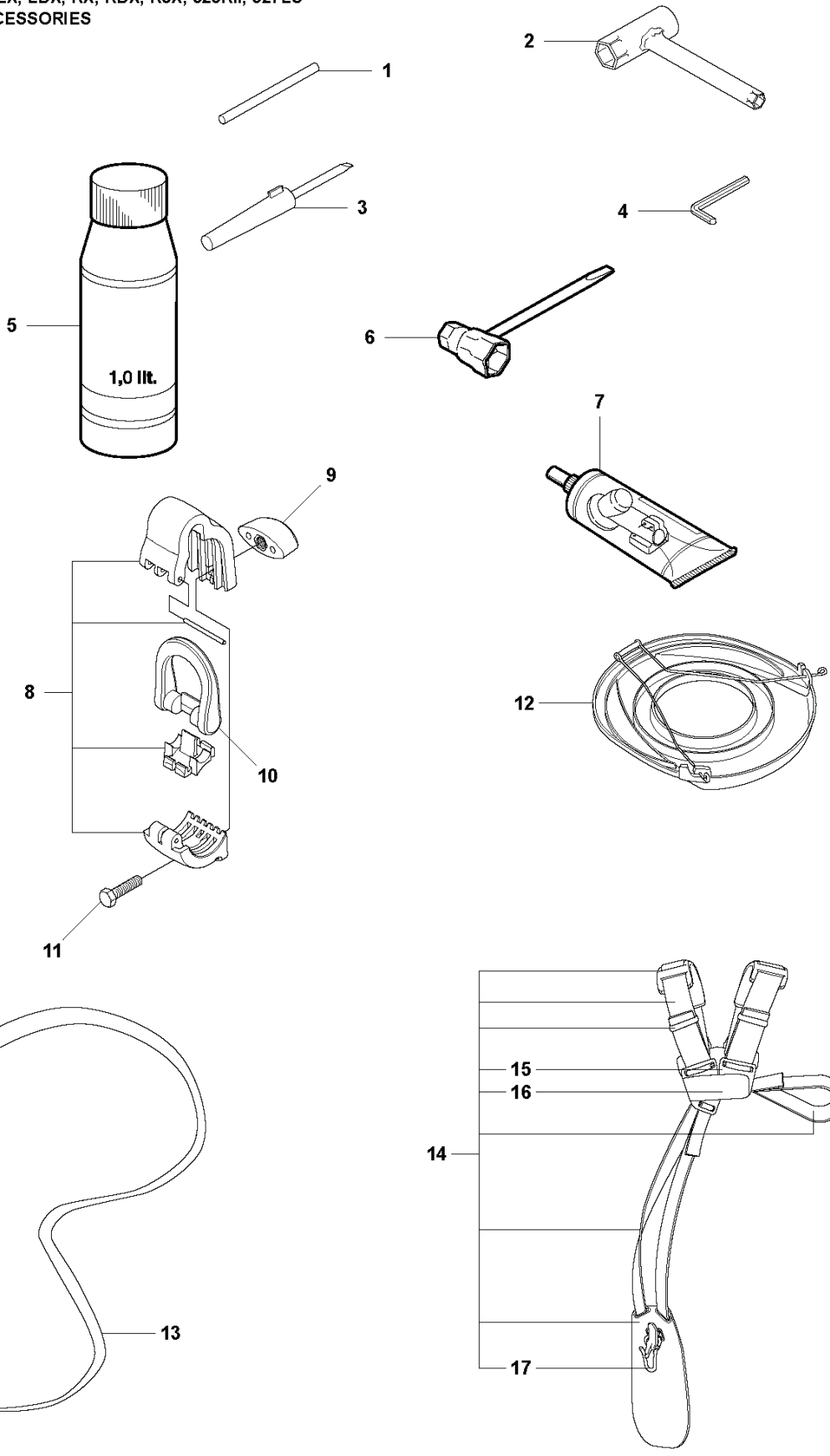
SPARE PARTS LIST

S 327LS, LX, LDX, RX, RDX, RJX, 323RII
ACCESSORIES



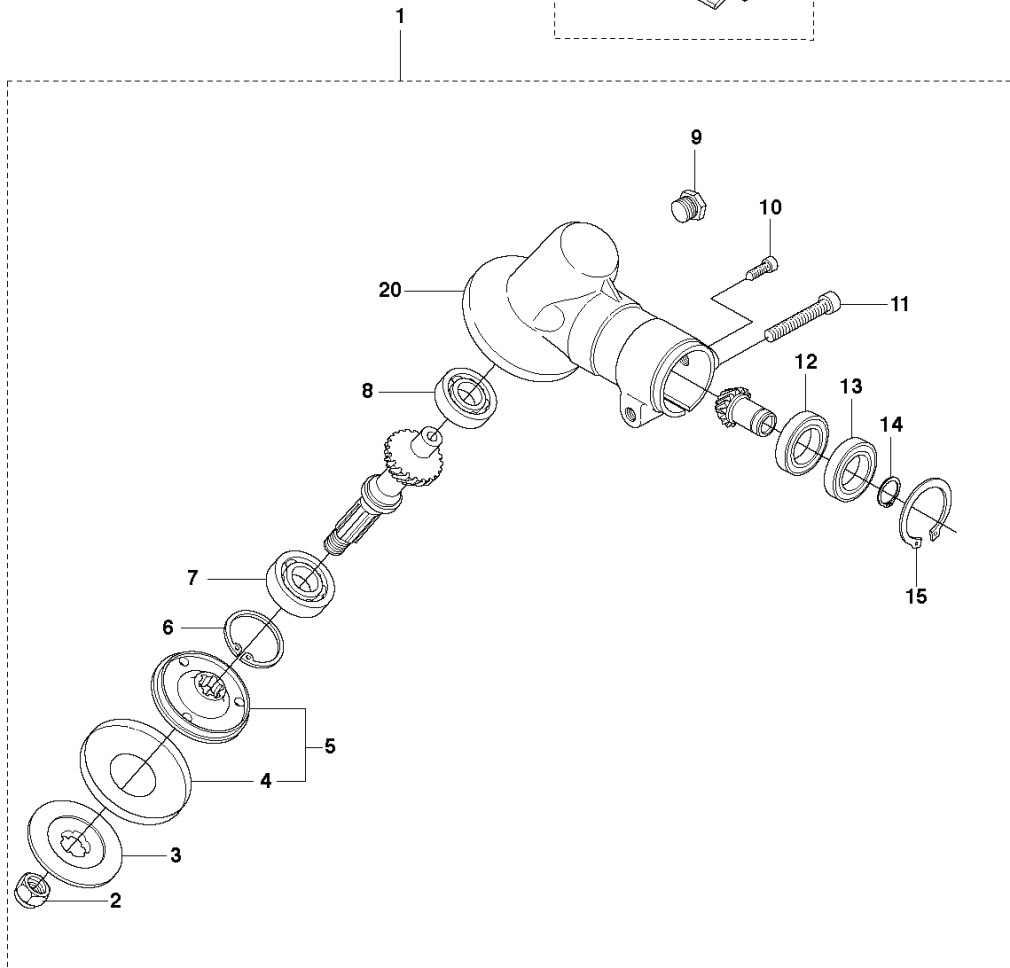
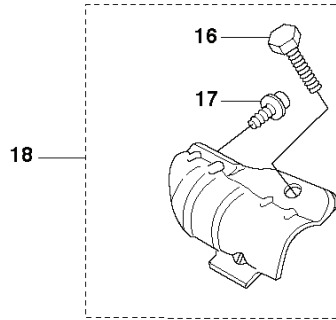
REF.	PART NO.	DESCRIPTION	REMARK	QTY.	KIT
1	544044210	SAW BLADE GUARD	Captive screws 323Rll. 327Rx	1	
2	573994304	SCREW IHSCFMO	Captive screws	2	1
3	574568001	CLAMP	Captive screws	1	1
4	537293401	ADAPTER		1	1
5	574564902	BLADE GUARD	Captive screws	1	1
6	503200316	SCREW IHSCFM	Captive screws	4	1
7	574039501	LOCK NUT	Captive screws	4	1
8	503977101	TRIMMER GUARD ASSY	327Lx, 327LDx	1	
9	503210716	SCREW IHST		1	8
10	503798801	BLADE		1	8
11	503934202	COMBINATION GUARD	323Rll, 327Rx	1	
12	503210716	SCREW IHST		1	11
13	503798801	BLADE		1	11

S2 327LX, LDX, RX, RDX, RJX, 323RII, 327LS
ACCESSORIES



REF.	PART NO.	DESCRIPTION	REMARK	QTY.	KIT
1	502285901	STOP		1	
2	502114602	SOCKET WRENCH		1	
3	501600203	SCREWDRIVER		1	
4	502215801	WRENCH		1	
5	531009248	FILTER OIL		1	
6	501691701	COMBINATION WRENCH		1	
7	503976401	GREASE		1	
8	537353601	LOOP		1	
9	537130402	KNOB		1	
10	537350101	LOOP		1	
11	725233151	SCREW		1	
12	537312901	TRANSPORT GUARD	200-275 mm	1	
13	537216201	HARNESS		1	
13	537216202	HARNESS	USA	1	
14	537216301	HARNESS		1	
14	537216302	HARNESS	USA	1	
15	503734001	FRONT PIECE		1	14
16	503734102	BUCKLE		1	14
17	502022802	WELT HOOK		1	14

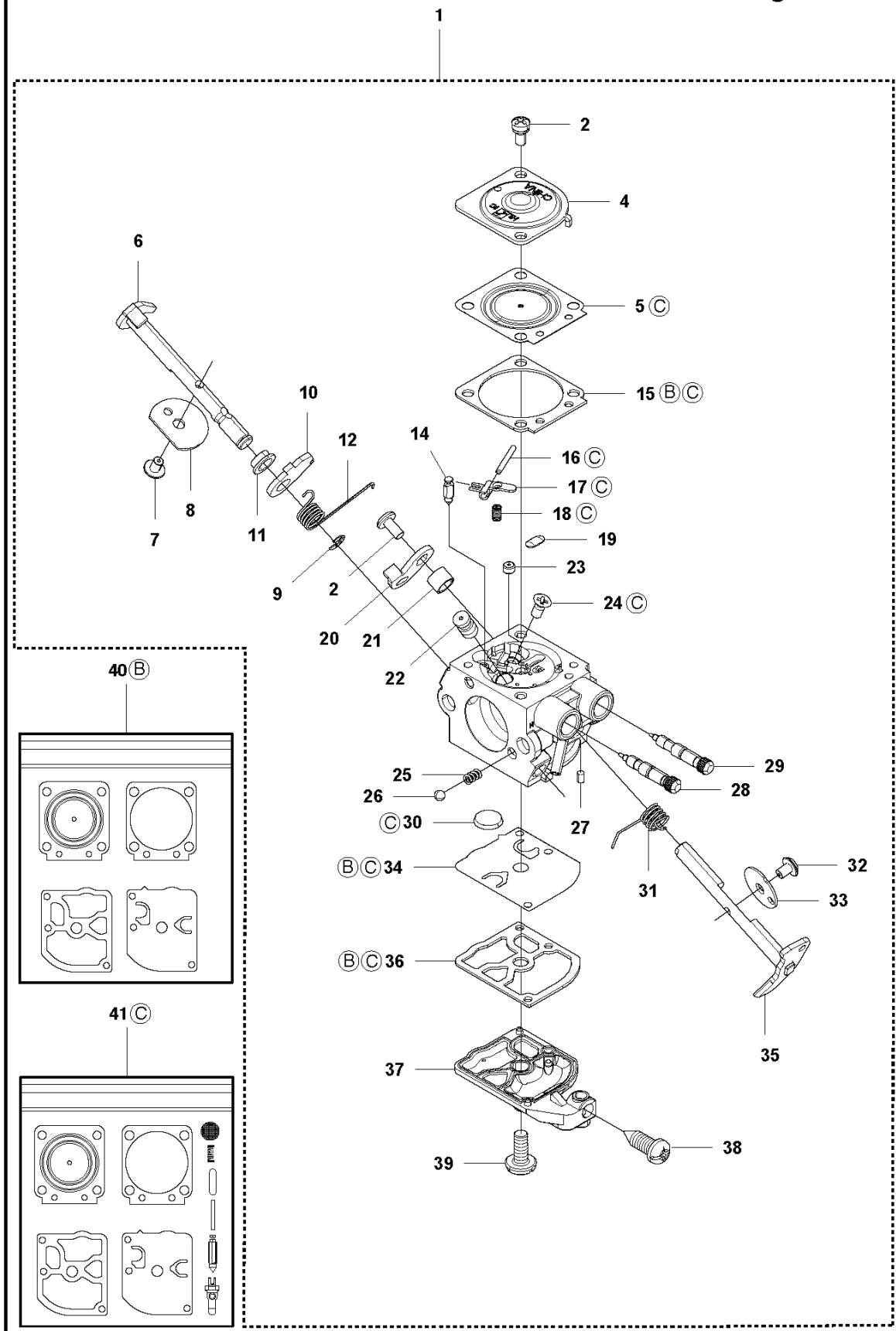
A 327LS, LX, LDX, RX, RDX, RJX, 323R11
BEVEL GEAR



REF.	PART NO.	DESCRIPTION	REMARK	QTY.	KIT
1	537199202	BEVEL GEAR ASSY		1	
2	503856301	NUT		1	1
3	537285601	SUPPORT FLANGE		1	1
4	537292601	CUP		1	1
5	537234901	DRIVER ASSY		1	1
6	735312810	CIRCLIP		1	1
7	503252401	BALL BEARING		1	1
8	738219800	BALL BEARING		1	1
9	503201501	SCREW		1	1
10	503201412	SCREW IHSCFMO		1	1
11	503200725	SCREW IHSCFM		1	1
12	738219900	BALL BEARING		1	1
13	738219902	BALL BEARING		1	1
14	735311100	CIRCLIP		1	1
15	735312510	CIRCLIP		1	1
16	725237051	SCREW		1	18
17	503200712	SCREW IHSCFM		1	18
18	574306901	CLAMP	Captive screws	1	
20	537333701	GEAR HOUSING		1	

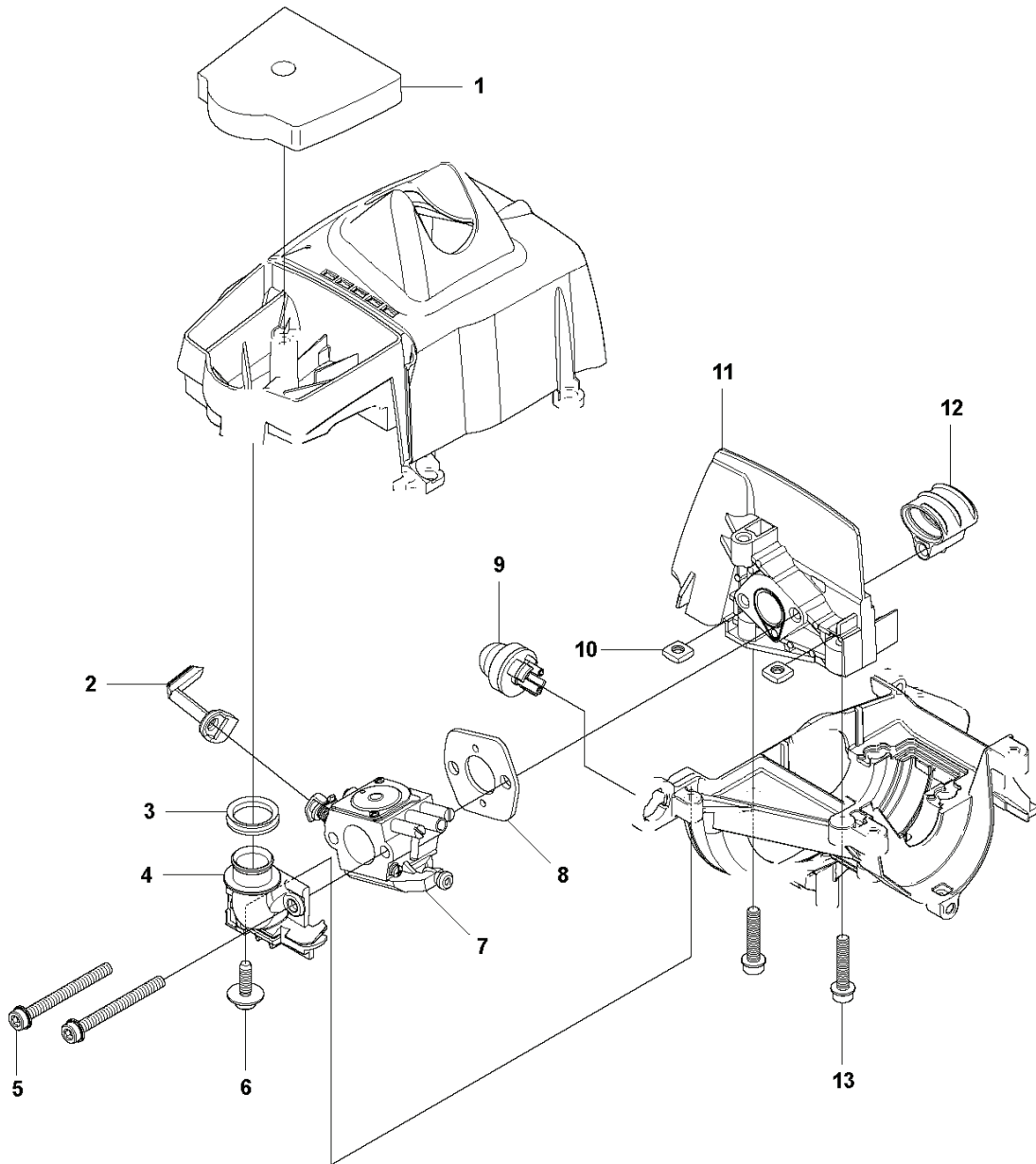
CARBURETOR (only option for US)

Hualong HQ-2



REF.	PART NO.	DESCRIPTION	REMARK	QTY.	KIT
1	576019801	CARBURETTOR	Hualong HQ-2. only option for US	1	
40	581743501	GASKET KIT		1	1
41	581743701	REPAIR KIT		1	1

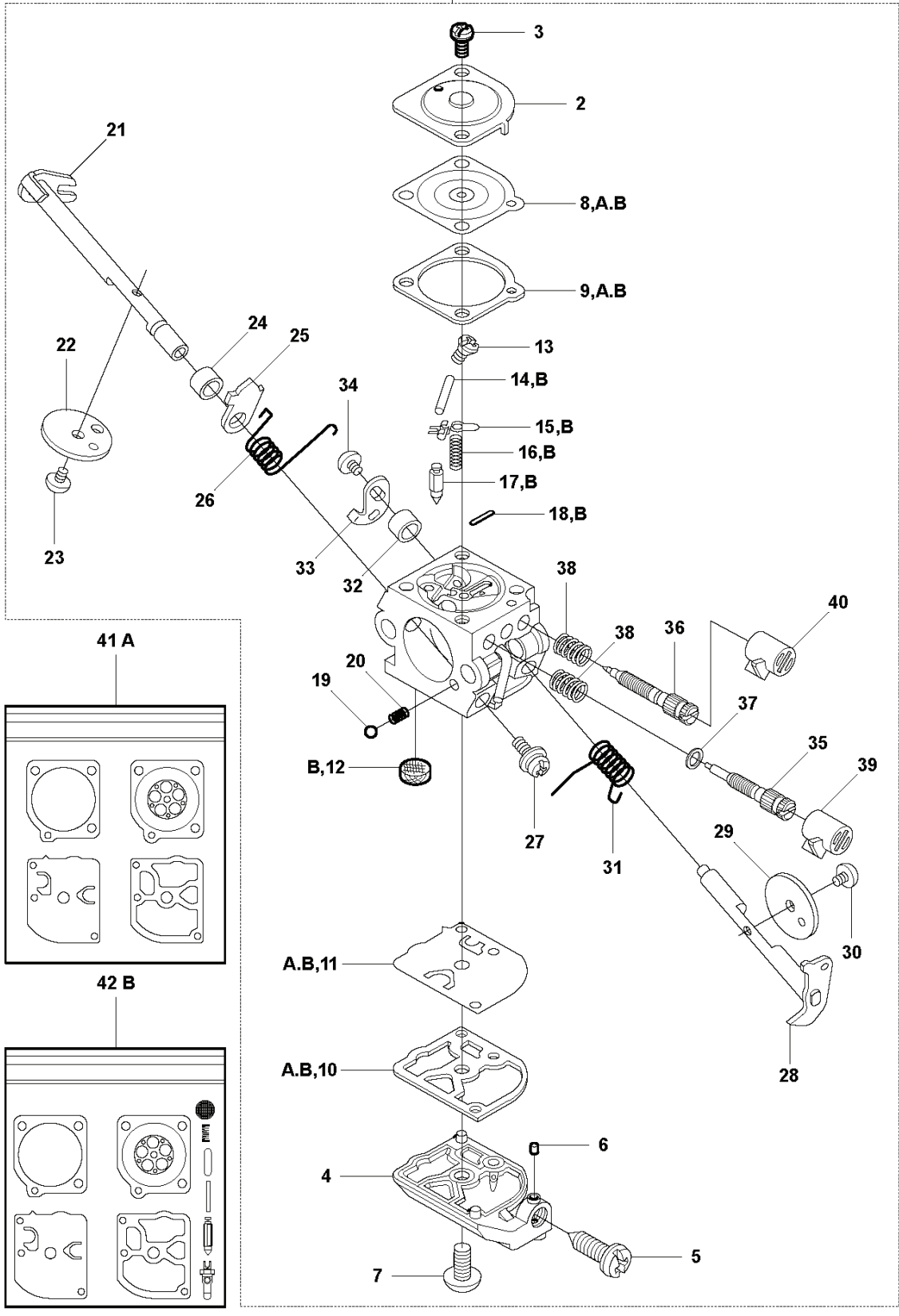
J 327LX, LDX, RX, RDX, RJX, LX, 323RII
CARBURETOR & AIR FILTER



REF.	PART NO.	DESCRIPTION	REMARK	QTY.	KIT
1	537143101	AIR FILTER ASSY		1	
2	503962501	CHOKE CONTROL		1	
3	740681121	V-RING		1	
4	502499001	BRACKET		1	
5	503217550	SCREW IHSCFT		2	
6	503217716	SCREW IHSCFT		1	
7	503283401	CARBURETTOR	Zama C1Q-EL24, NOT FOR US	1	
7	576019801	CARBURETTOR	Hualong HQ-2, only option for US	1	
8	503497101	GASKET		1	
9	503936601	PURGE		1	
10	503226504	SQUARE NUT		2	
11	503910901	INSULATION WALL		1	
12	503942601	INLET PIPE		1	
13	503200325	SCREW IHSCFM		2	
14	505271001	FILTER		1	

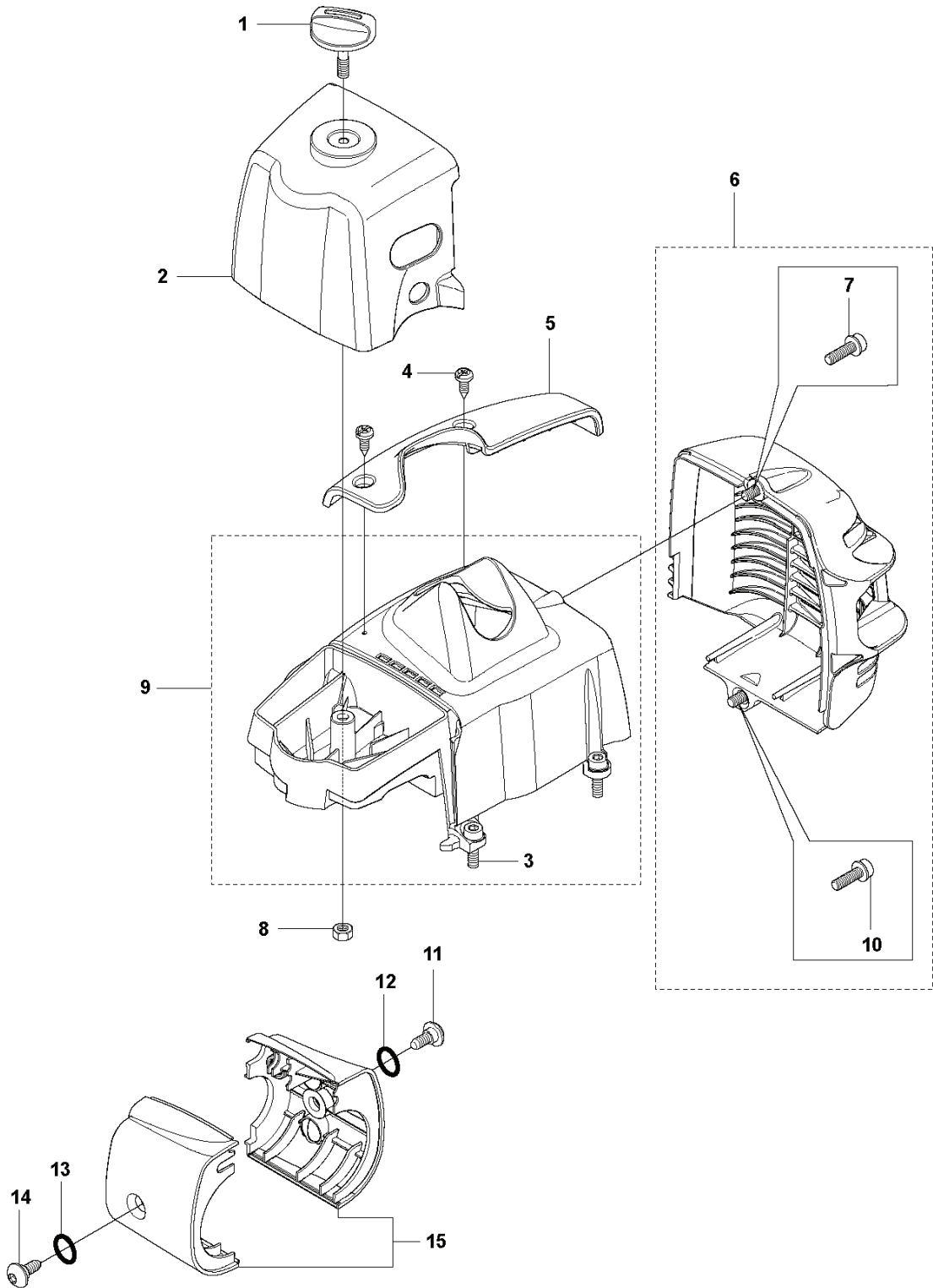
R 327LS, LX, LDX, RX, RDX, RJX, 323RII
CARBURETOR (not for US)

Zama C1Q-EL24



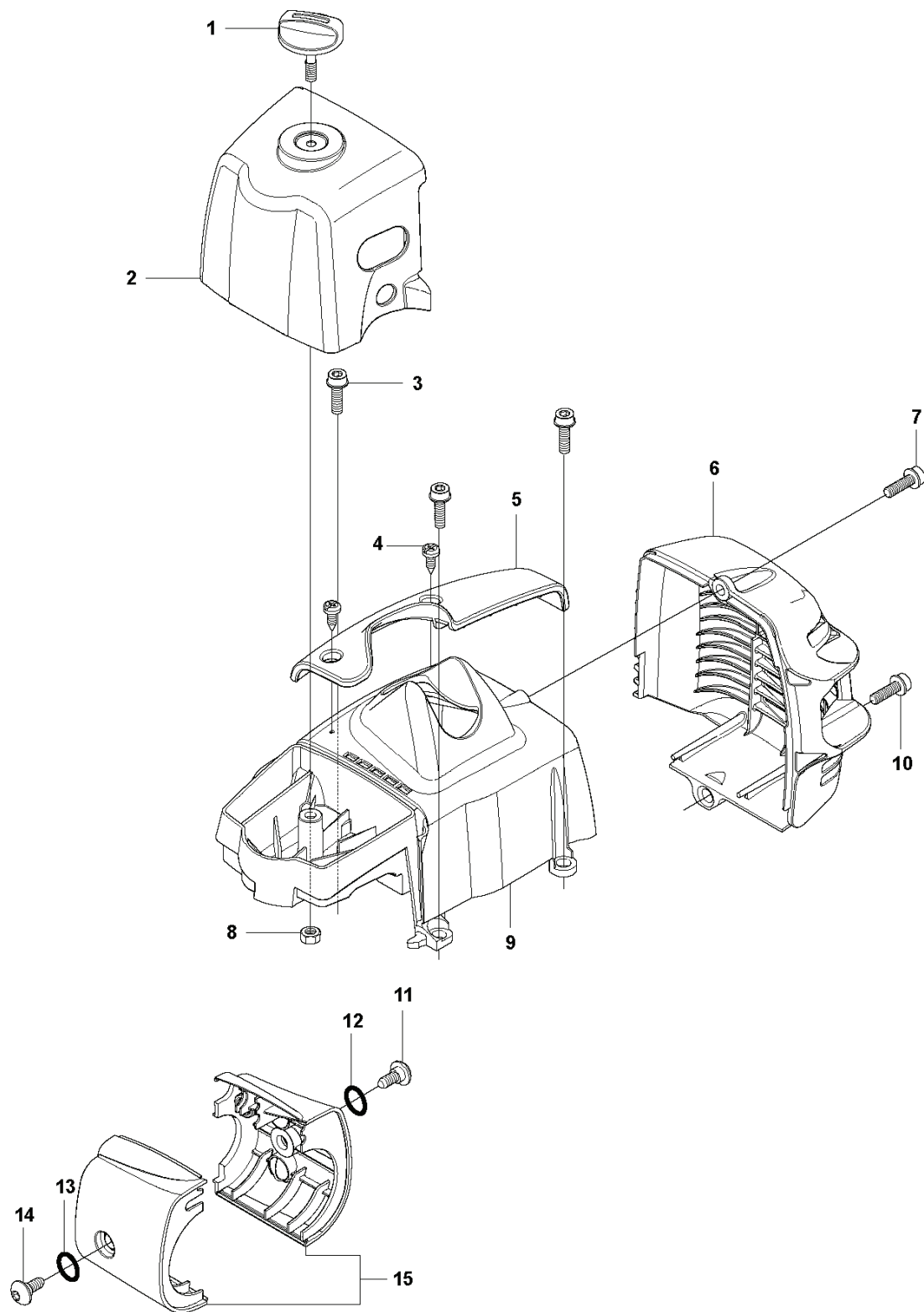
REF.	PART NO.	DESCRIPTION	REMARK	QTY.	KIT
1	503283401	CARBURETTOR	Zama C1Q-EL24, NOT FOR US	1	
2	503974301	COVER		1	1
3	503480501	SCREW		2	1
4	537020201	COVER		1	1
5	537020701	SCREW		1	1
6	503481101	PIECE		1	1
7	503479601	SCREW		1	1
8	537048901	DIAPHRAGM		1	1.A.B
9	537020401	GASKET		1	1.A.B
10	537020101	GASKET		1	1.A.B
11	537020001	DIAPHRAGM PUMP		1	1.A.B
12	503535701	STRAINER		1	1.B
13	503480101	SCREW		1	1
14	503480001	PIN RETAINING SCREW		1	1.B
15	503665901	LEVER		1	1.B
16	537020301	SPRING		1	1.B
17	503479701	VALVE		1	1.B
18	537020801	PLUG		1	1.B
19	537012501	BALL		1	1
20	537012601	SPRING		1	1
21	537020901	SHAFT ASSY		1	1
22	537370301	VALVE		1	1
23	503481801	SCREW		1	1
24	503481901	COLLAR		1	1
25	537049001	LEVER		1	1
26	537021001	SPRING		1	1
27	503755301	SCREW		1	1
28	537019601	SHAFT ASSY		1	1
29	537019901	VALVE		1	1
30	503479201	SCREW		1	1
31	537019701	SPRING		1	1
32	503478901	COLLAR		1	1
33	537019801	LEVER		1	1
34	503479001	SCREW		1	1
35	537020601	SCREW		1	1
36	537127801	SCREW		1	1
37	503974001	WASHER		1	1
38	503480801	SPRING		1	1
39	537021601	LIMITER CAP		1	1
40	537021601	LIMITER CAP		1	1
41A	531004552	GASKET KIT		1	
42B	531004553	GASKET KIT		1	

H2 327Lx, LDx, Rx, RDx, RJx, COVERS



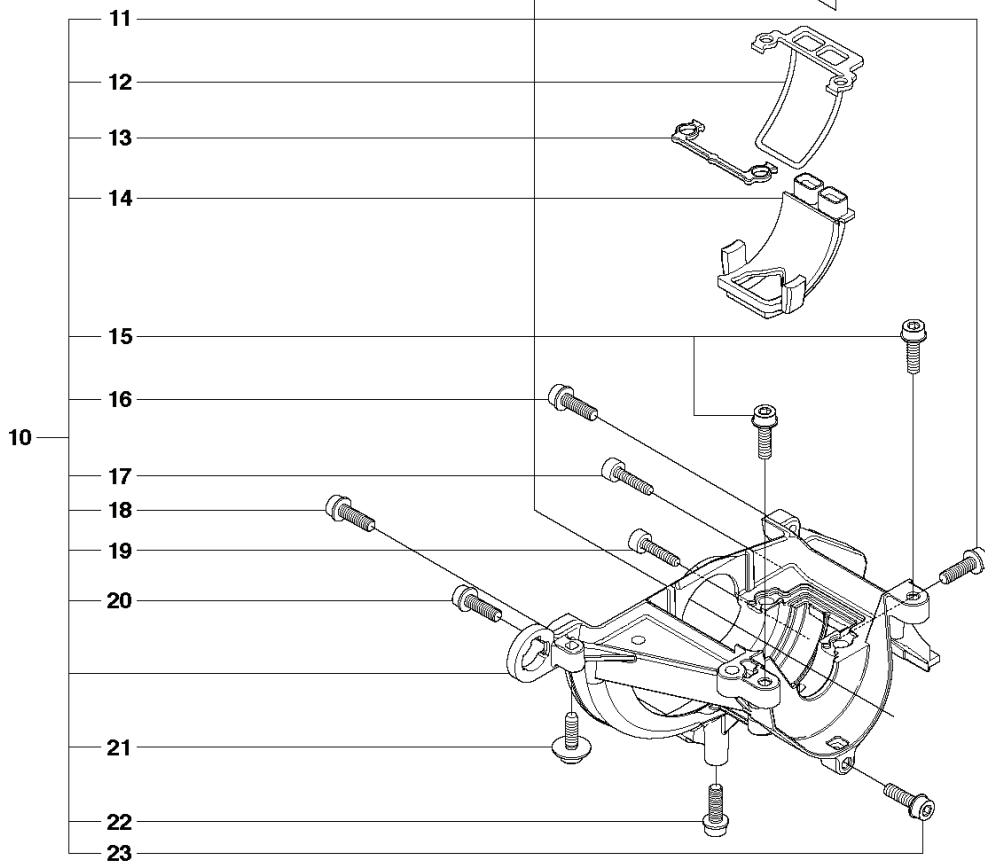
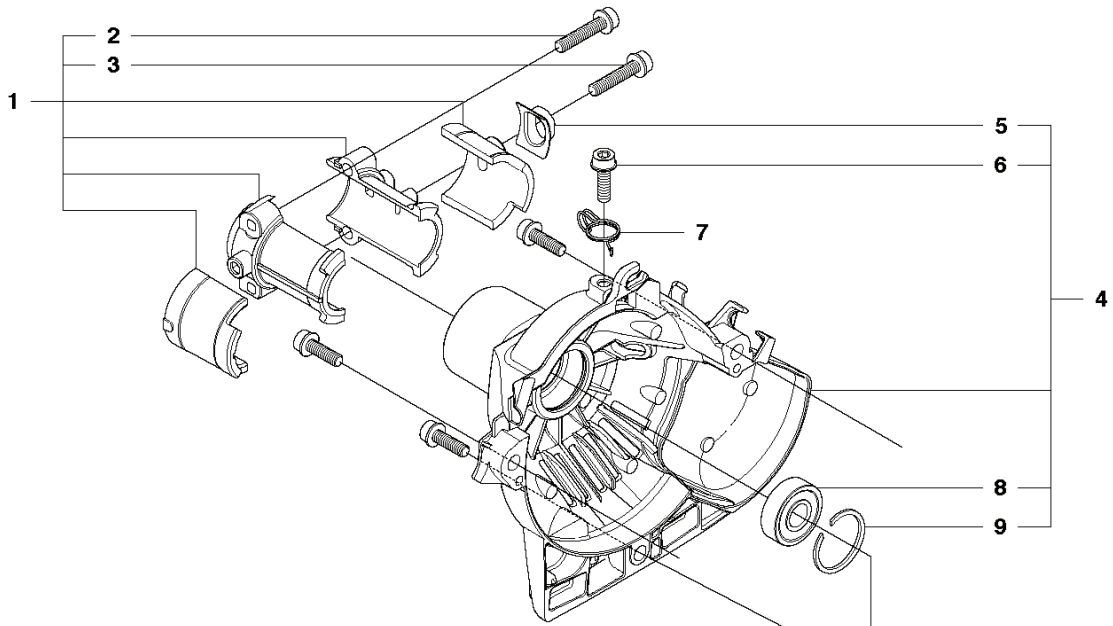
REF.	PART NO.	DESCRIPTION	REMARK	QTY.	KIT
1	537213210	KNOB		1	
2	502481301	FILTER COVER		1	
3	574477003	SCREW IHSCFMO	Captive screws	4	9
4	503213512	SCREW CCRPANT		2	
5	502481601	ARM PROTECTION		1	
6	544848102	HEAT PROTECTOR	Captive screws	1	
7	574181501	SCREW IHSCFMO	Captive screws	1	6
8	503222401	LOCK NUT		1	
9	574353901	CYLINDER COVER ASSY	Captive screws	1	
10	574477003	SCREW IHSCFMO	Captive screws	1	6
11	503961301	SCREW		1	
12	740420600	O-RING		1	
13	740420600	O-RING		1	
14	503961301	SCREW		1	
15	502481501	COVER		1	

H1 327Lx, LDx, Rx, RDx, RJx, COVERS



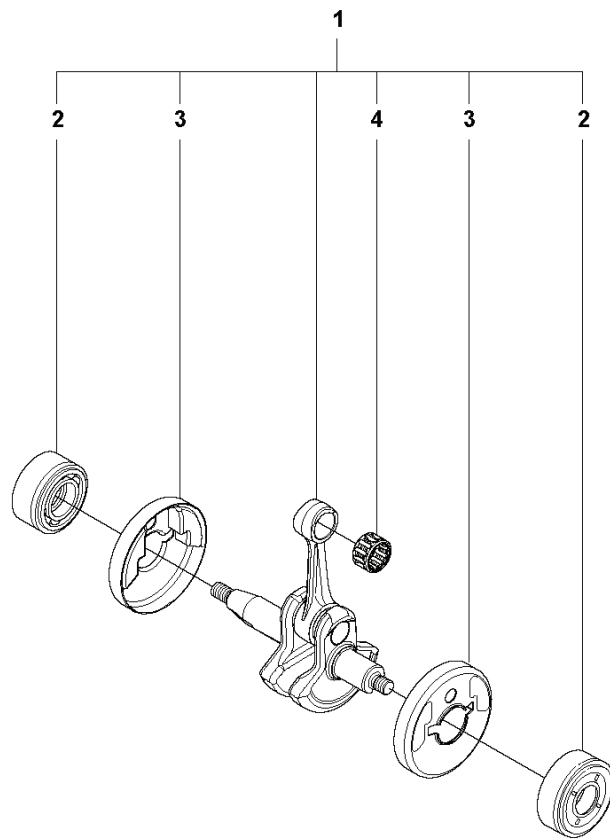
REF.	PART NO.	DESCRIPTION	REMARK	QTY.	KIT
1	537213210	KNOB		1	
2	502481301	FILTER COVER		1	
3	503200316	SCREW IHSCFM	M5x16	4	
4	503213512	SCREW CCRPANT		2	
5	502481601	ARM PROTECTION		1	
6	544848101	HEAT PROTECTOR		1	
7	503216820	SCREW IHSCFT		1	
8	503222401	LOCK NUT		1	
9	502481401	CYLINDER COVER		1	
10	503200316	SCREW IHSCFM	M5x16	1	
11	503961301	SCREW		1	
12	740420600	O-RING		1	
13	740420600	O-RING		1	
14	503961301	SCREW		1	
15	502481501	COVER		1	

P 327LS, LX, LDX, RX, RDX, RJX, 323R11
CRANK CASE



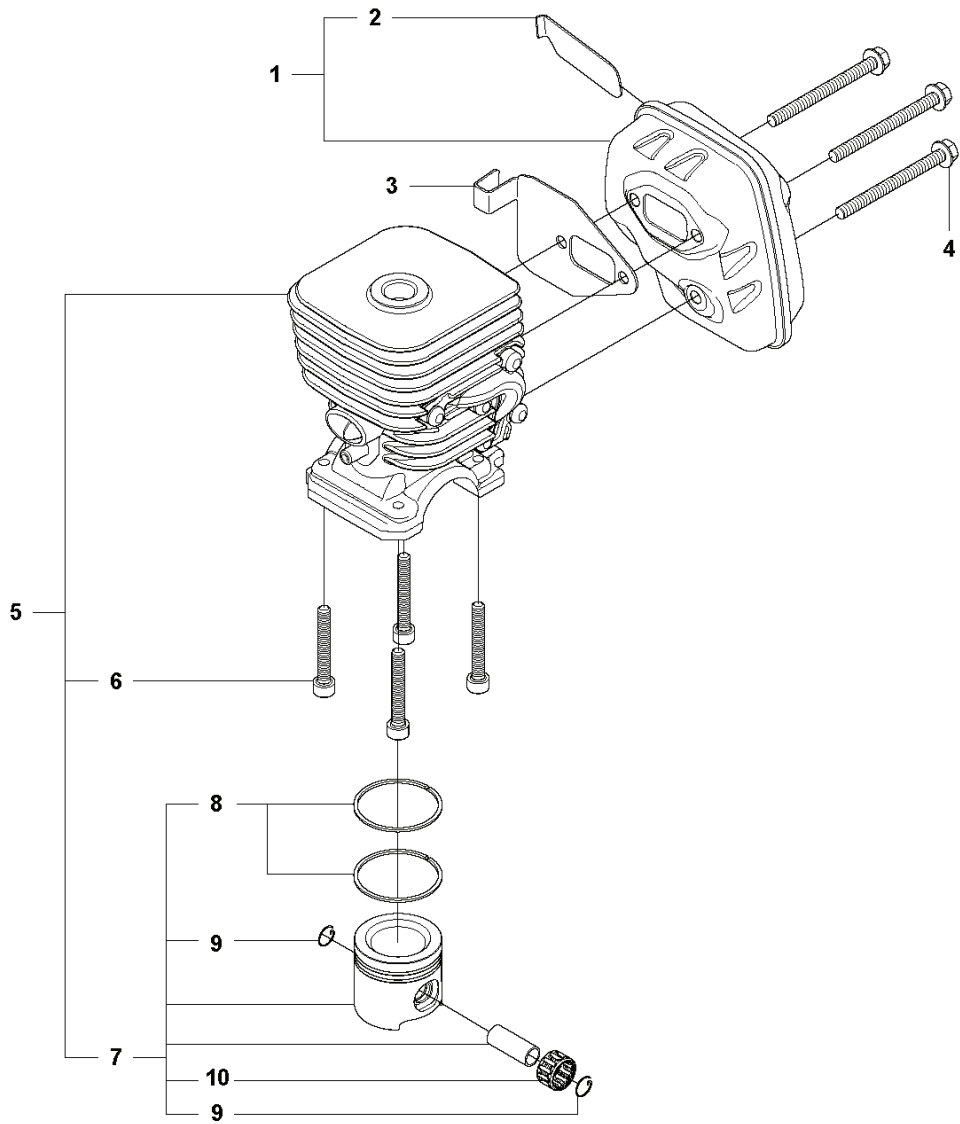
REF.	PART NO.	DESCRIPTION	REMARK	QTY.	KIT
1	537309601	SLEEVE		1	
2	503216825	SCREW IHSCFT		1	1
3	503216825	SCREW IHSCFT		1	1
4	537041209	CLUTCH COVER		1	
5	537425001	PROTECTIVE PLATE		1	4
6	503200316	SCREW IHSCFM	M5x16	1	4
7	537073601	SPRING		1	
8	503250501	BALL BEARING		1	4
9	537336701	CIRCLIP		1	4
10	537085202	CRANKCASE		1	
11	503200316	SCREW IHSCFM	M5x16	1	10
12	537066901	GASKET		1	10
13	537088501	GASKET		1	10
14	537066801	INSERT CRANKCASE		1	10
15	503200316	SCREW IHSCFM	M5x16	1	10
16	503200316	SCREW IHSCFM	M5x16	1	10
17	503216618	SCREW IHST		1	10
18	503200316	SCREW IHSCFM	M5x16	1	10
19	503216618	SCREW IHST		1	10
20	503200316	SCREW IHSCFM	M5x16	1	10
21	503217716	SCREW IHST		1	10
22	503201412	SCREW IHSCFMO	M5x12	1	10
23	503200316	SCREW IHSCFM	M5x16	1	10

Q 327LS, LX, LDX, RX, RDX, RJX, 323RII
CRANK SHAFT



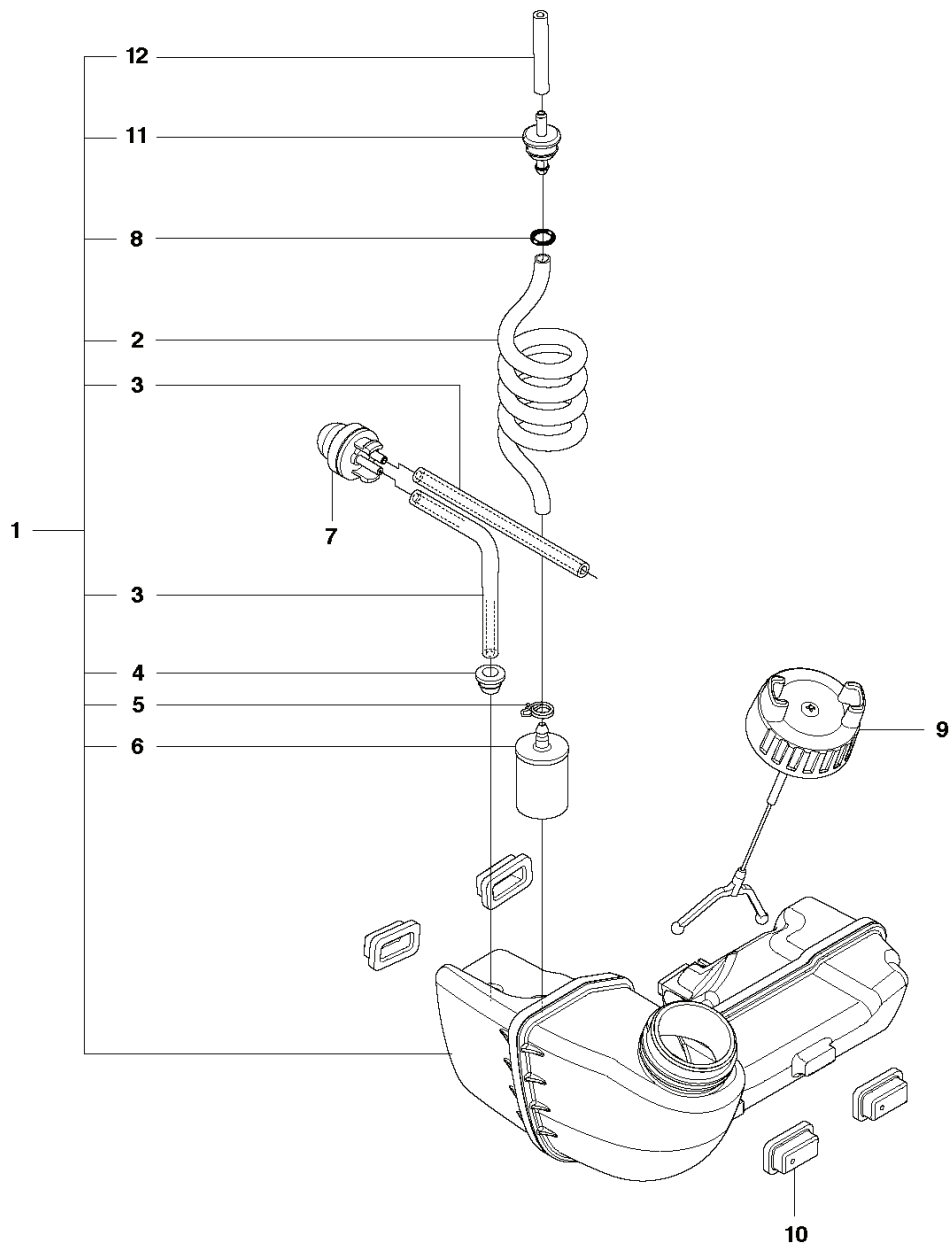
REF.	PART NO.	DESCRIPTION	REMARK	QTY.	KIT
1	503852474	CRANKSHAFT ASSY		1	
2	503940203	BEARING CAGE		2	1
3	503940501	CUP		2	1
4	503712201	BEARING		1	1

N 327LS, LX, LDX, RX, RDX, RJX, 323R11
CYLINDER PISTON & MUFFLER



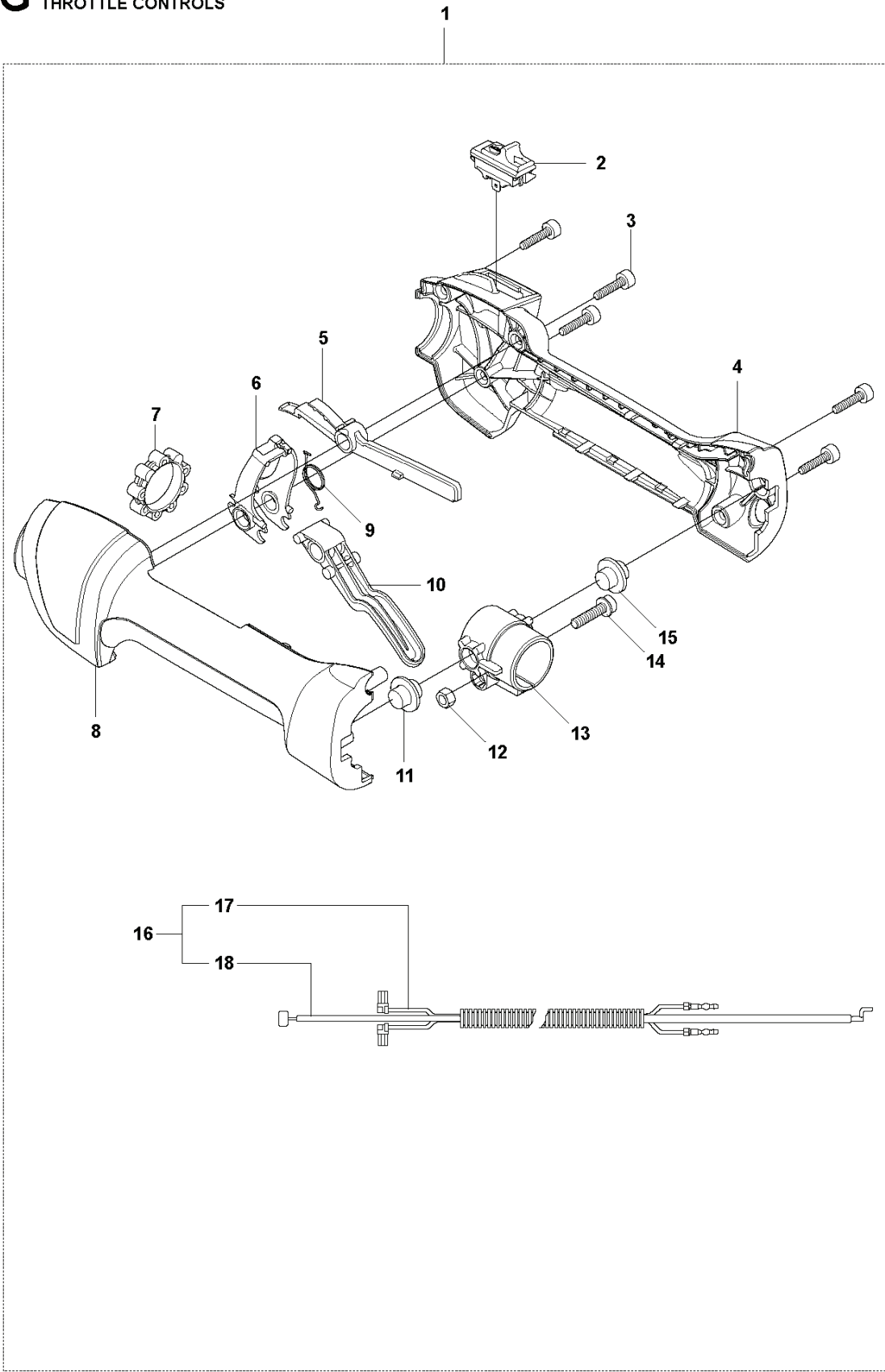
REF.	PART NO.	DESCRIPTION	REMARK	QTY.	KIT
1	537221704	MUFFLER ASSY	Cat.	1	
2	537221801	SPARK ARRESTER SCREEN		1	1
3	537014101	GASKET		1	
4	502078101	SCREW EHHFM		3	
5	537085103	CYLINDER	Ø=34mm	1	
6	503200735	SCREW IHSCFM		4	5
7	537405902	PISTON		1	5
8	537406201	PISTON RING		1	7
9	737440800	CIRCLIP		1	7
10	503712201	BEARING		1	7

L 327LS, LX, LDX, RX, RDX, RJX, 323RII
FUEL TANK



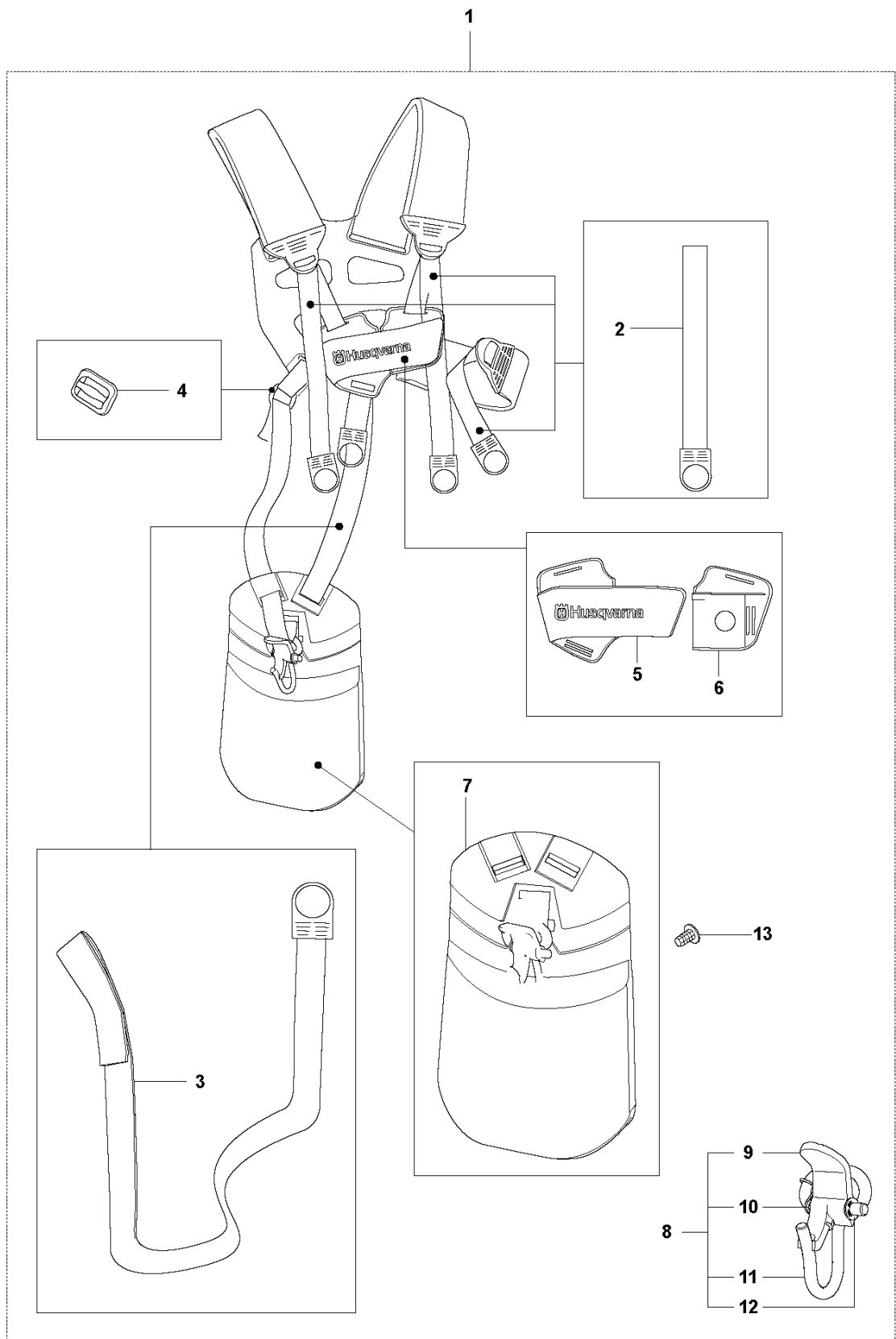
REF.	PART NO.	DESCRIPTION	REMARK	QTY.	KIT
1	584258001	FUEL TANK ASSY		1	
2	581756201	FUEL HOSE		1	1
3	537042401	FUEL HOSE		2	1
4	503735801	BUSHING		1	1
5	504022401	HOSE CLAMP		1	1
6	503443201	FUEL FILTER		1	1
7	503936601	PURGE		1	
8	537184901	O-RING		1	1
9	544889702	TANK CAP		1	
10	503911001	SUSPENSION		4	
11	578295601	HOSE NIPPLE		1	1
12	578906802	FUEL HOSE		1	

G 327LS, Lx, LDx, RJx
THROTTLE CONTROLS



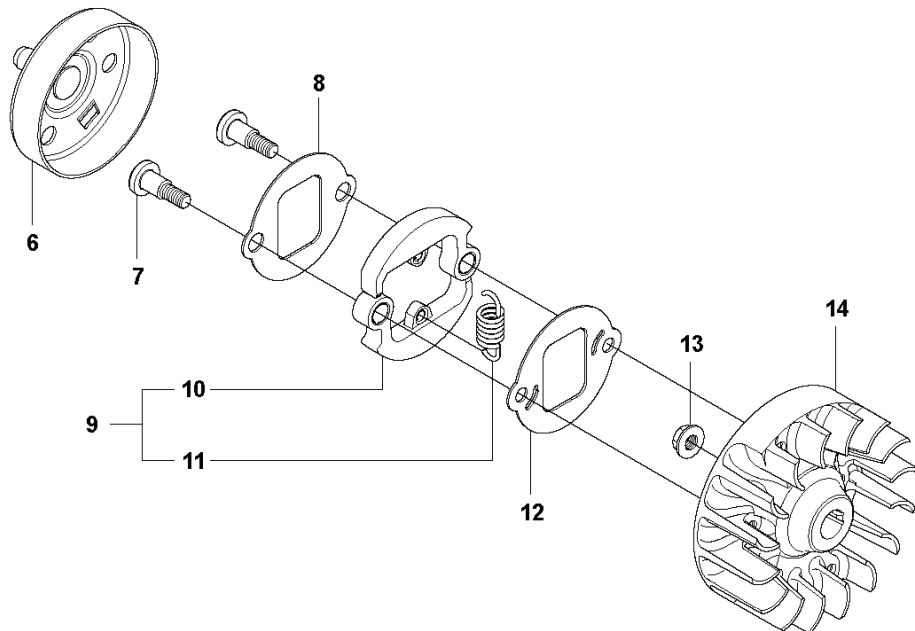
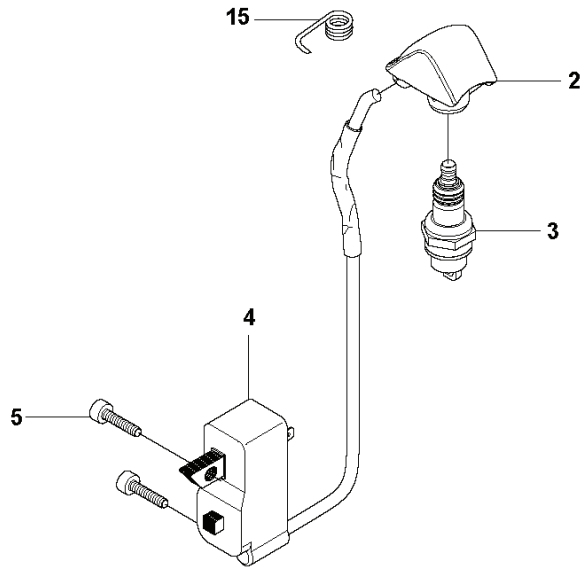
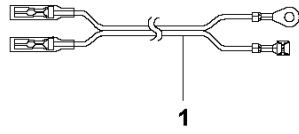
REF.	PART NO.	DESCRIPTION	REMARK	QTY.	KIT
1	544143604	CONTROL		1	
2	537419001	SWITCH		1	1
3	503216618	SCREW IHSCT		5	1
4	544100202	HANDLE HALF		1	1
5	503878001	THROTTLE LOCKOUT		1	1
6	503918101	THROTTLE LEVER		1	1
7	503961401	ABSORBER		1	1
8	544100302	HANDLE HALF		1	1
9	544100801	RECOIL SPRING		1	1
10	503877903	THROTTLE TRIGGER		1	1
11	544101702	DAMPER		1	1
12	731231401	HEXAGON NUT		1	1
13	544112101	RETAINER		1	1
14	503200320	SCREW IHSCFM		1	1
15	544101702	DAMPER		1	1
16	502651301	WIRING		1	1
17	502531601	SHORT CIRCUIT CABLE		1	1,16
18	544171703	THROTTLE CABLE ASSY		1	1,16

T Duo Balance
HARNES



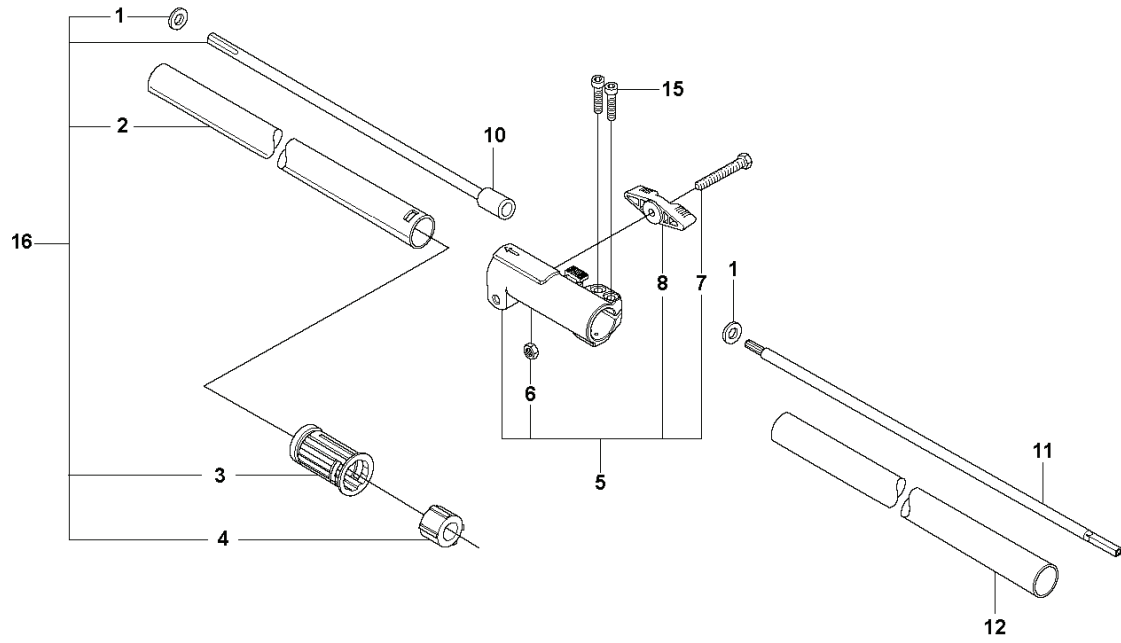
REF.	PART NO.	DESCRIPTION	REMARK	QTY.	KIT
1	537275701	HARNESS		1	
1	537275703	HARNESS	US	1	1
2	503996101	BAND		3	1
3	503996103	BAND		1	1
4	537113501	RETAINER		1	1
5	537288401	BUCKLE		1	1
6	537288301	BUCKLE		1	1
7	537275901	HIP PAD		1	1
8	502022801	HOOK		1	1
9	502023002	LOCK		1	1.8
10	502023801	SPRING		1	1.8
11	502022902	HOOK		1	1.8
12	735310920	E-CLIP		1	1.8
13	537175401	HIP PAD		3	1

M 327LS, LX, LDX, RX, RDX, RJX, 323RII
IGNITION & CLUTCH



REF.	PART NO.	DESCRIPTION	REMARK	QTY.	KIT
1	502493601	SHORT CIRCUIT CABLE		1	
2	537434301	SPARK PLUG CAP		1	
3	503235109	SPARK PLUG	Champion RCJ 6Y	1	
4	544127001	IGNITION MODULE		1	
5	503216618	SCREW IHSCT		2	
6	537237501	CLUTCH DRUM ASSY		1	
7	503842902	SCREW		2	
8	537046702	WASHER		1	
9	537032201	CLUTCH ASSY		1	
10	503842801	CLUTCH SHOE		2	9
11	503816001	CLUTCH SPRING		1	9
12	537046802	WASHER		1	
13	731711651	HEXAGON NUT FLANGE		1	
14	537249602	FLYWHEEL		1	
15	537239301	CONTACT SPRING		1	

C 327LDx, RDx
SHAFT



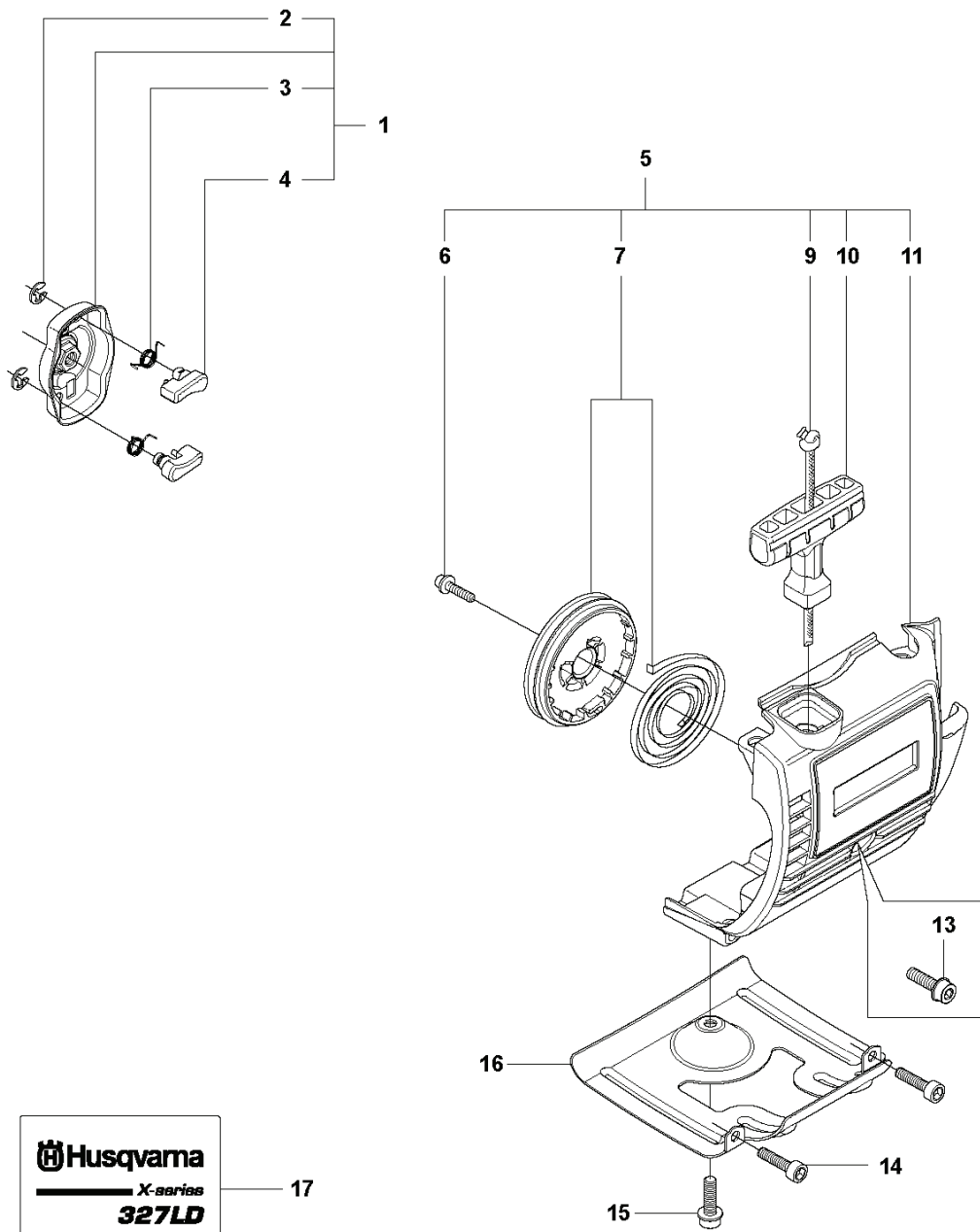
13



14

REF.	PART NO.	DESCRIPTION	REMARK	QTY.	KIT
1	735580810	LOCKWASHER		2	16
2	537082701	TUBE	L=850mm Ø=24mm	1	16
3	544378701	PLUG		1	16
4	503785201	SUPPORTING BEARING		1	16
5	544367501	CLAMPING SLEEVE		1	
6	731231601	HEXAGON NUT		1	5
7	725237651	SCREW EHHM		1	5
8	502203801	KNOB		1	5
10	537011901	DRIVE SHAFT	L=825mm Ø=7mm	1	16
11	544113701	DRIVE SHAFT ASSY	L=699mm Ø=7mm	1	
12	537011601	TUBE	L=650mm Ø=24mm	1	
13	589295101	LABEL		1	
14	503795601	LABEL		1	
14	504795601	ANTIVIBRATION ELEMENT		2	
14	505795601	BOLT		3	
14	506795601	PULLEY		4	
15	503200725	SCREW IHSCFM		2	
16	537079902	TUBE		1	

K4 327LX, LDX, RX, RDX, RJX, 323RII
STARTER



Husqvarna
X-series
327LD
PAT. PEND. E-tech II

Husqvarna
X-series
327RJ
PAT. PEND. E-tech II

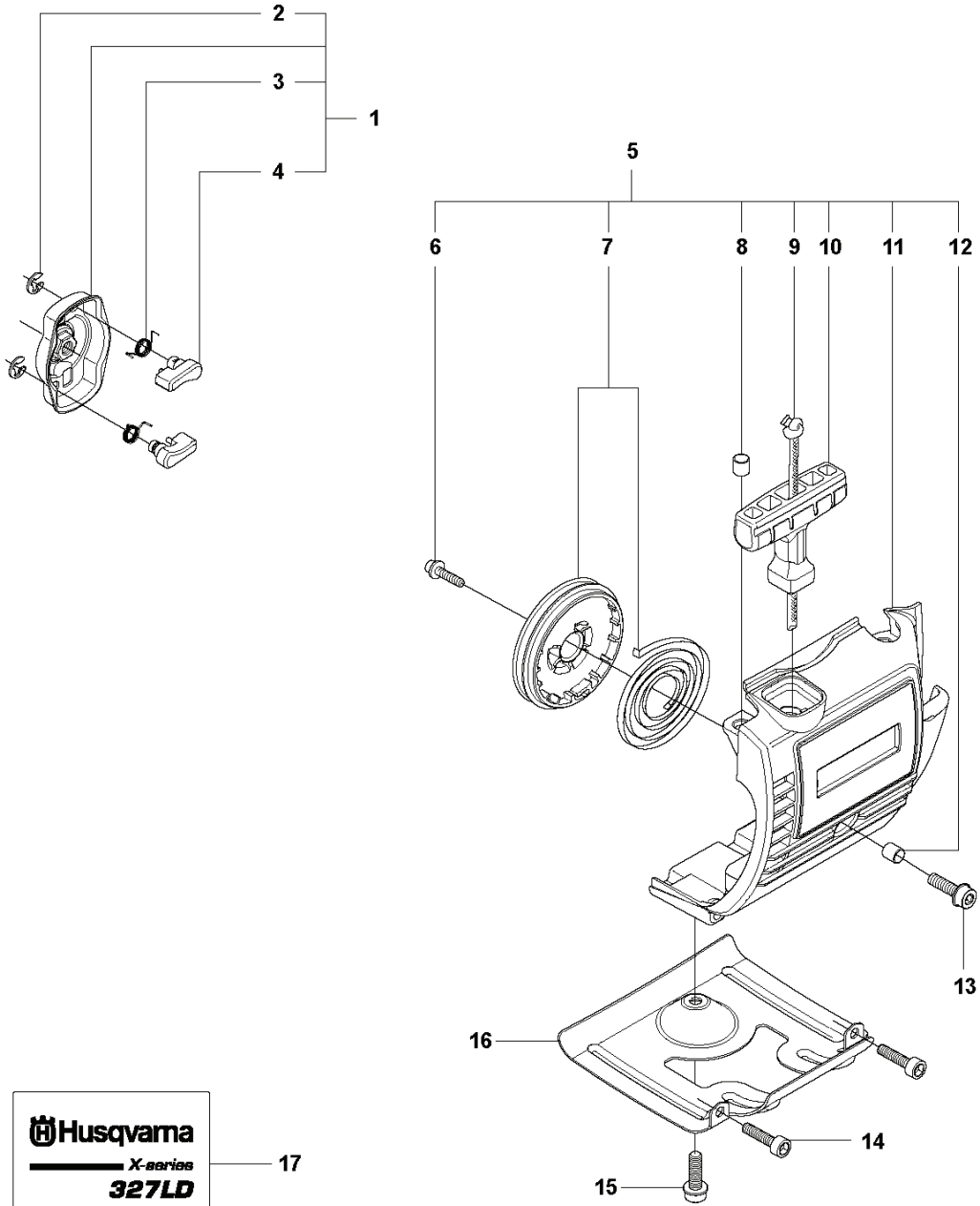
Husqvarna
323RII
PAT. PEND. E-tech II

Husqvarna
X-series
327R
PAT. PEND. E-tech II

Husqvarna
X-series
327RD
PAT. PEND. E-tech II

REF.	PART NO.	DESCRIPTION	REMARK	QTY.	KIT
1	503873305	STARTER PAWL		1	
2	735310820	E-CLIP		2	1
3	503873601	SPRING		1	1
4	503873502	STARTER PAWL		2	1
5	503852807	STARTER ASSY	Captive screws	1	
6	503217716	SCREW IH SCT		1	5
7	503964901	STARTER PULLEY		1	5
9	503858901	STARTER ROPE		1	5
10	537008401	STARTER HANDLE		1	5
11	503858703	STARTER HOUSING	Captive screws	1	5
13	574477003	SCREW IH SCFMO	Captive screws M5x16	1	5
14	503216618	SCREW IH SCT		2	
15	503201412	SCREW IH SCFMO	M5x12	1	
16	537034101	PROTECTIVE PLATE		1	
17	537353456	LABEL	327LDx	1	
18	537353457	LABEL	327RJx	1	
19	537353458	LABEL	323RII	1	
20	537353459	LABEL	327Rx	1	
21	537353460	LABEL	327RDx	1	

K3 327LX, LDX, RX, RDX, RJX, 323RII
STARTER



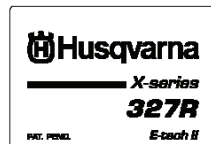
17



18



19

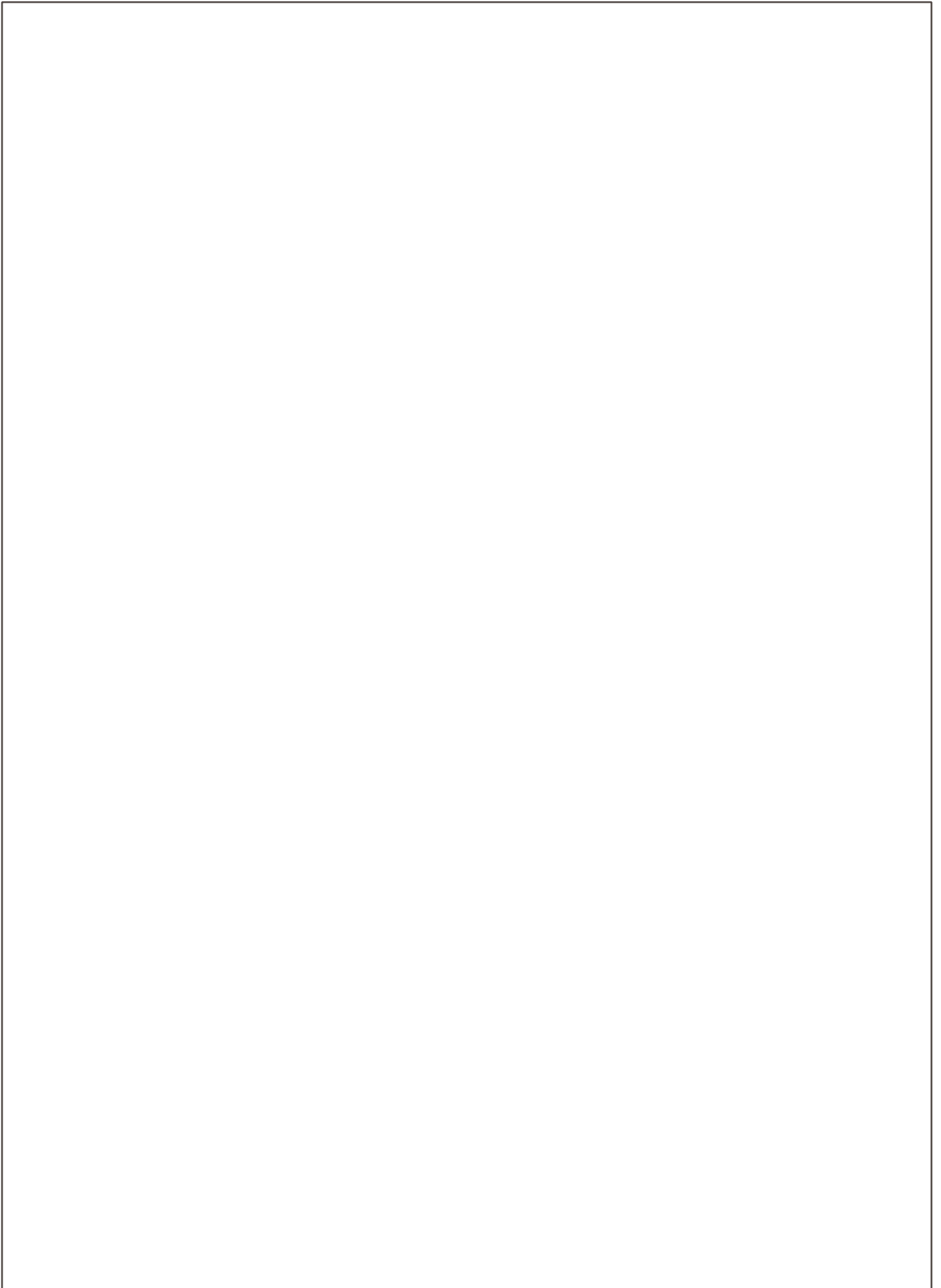


20

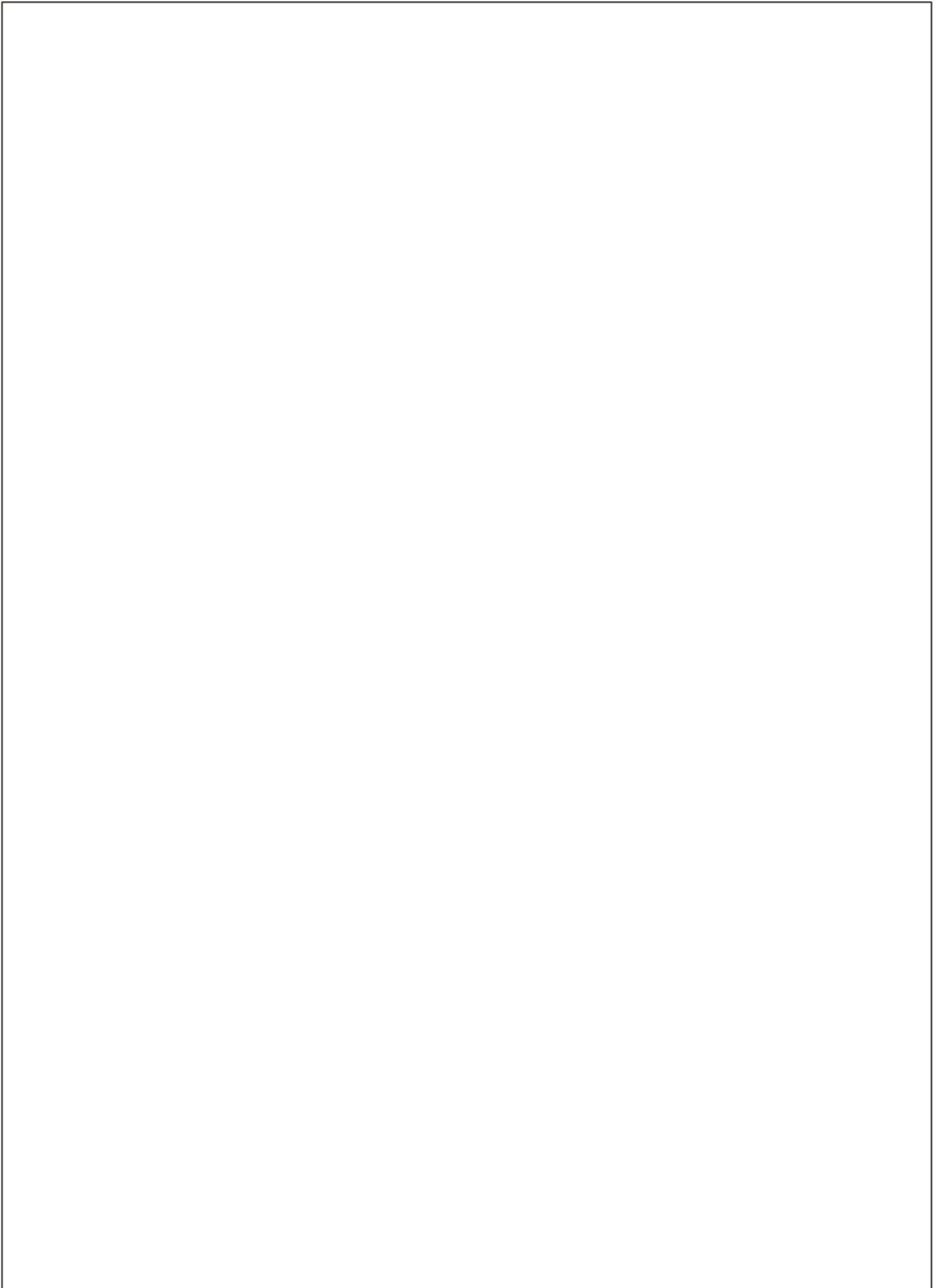


21

REF.	PART NO.	DESCRIPTION	REMARK	QTY.	KIT
1	503873305	STARTER PAWL		1	
2	735310820	E-CLIP		2	1
3	503873601	SPRING		1	1
4	503873502	STARTER PAWL		2	1
5	503852806	STARTER ASSY		1	
6	503217716	SCREW IH SCT		1	5
7	503964901	STARTER PULLEY		1	5
8	537379302	SPACING SLEEVE		2	5
9	503858901	STARTER ROPE		1	5
10	537008401	STARTER HANDLE		1	5
11	503858702	STARTER HOUSING		1	5
12	537379302	SPACING SLEEVE		1	5
13	503200316	SCREW IHSCFM	M5x16	1	
14	503216618	SCREW IH SCT		2	
15	503201412	SCREW IHSCFMO	M5x12	1	
16	537034101	PROTECTIVE PLATE		1	
17	537353456	LABEL	327LDx	1	
18	537353457	LABEL	327RJx	1	
19	537353458	LABEL	323RII	1	
20	537353459	LABEL	327Rx	1	
21	537353460	LABEL	327RDx	1	



REF.	PART NO.	DESCRIPTION	REMARK	QTY.	KIT
1	503873305	STARTER PAWL		1	
2	735310820	E-CLIP		2	1
3	503873601	SPRING		2	1
4	503873502	STARTER PAWL		2	1
5	544071102	STARTER ASSY		1	
6	503217725	SCREW IHSC T		1	5
7	544038702	DRIVER		1	5
8	544038802	SPRING		1	5
9	544166501	STARTER PULLEY ASSY		1	5
10	537379302	SPACING SLEEVE		2	5
11	503858901	STARTER ROPE		1	5
12	537008401	STARTER HANDLE		1	5
13	537411601	STARTER HOUSING		1	5
14	537379302	SPACING SLEEVE		1	5
15	544038601	STARTER PULLEY		1	5,9
16	503859001	RECOIL SPRING		1	5,9
17	503200316	SCREW IHSCFM	M5x16	1	
18	537034101	PROTECTIVE PLATE		1	
19	503201412	SCREW IHSCFMO	M5x12	1	
20	503216618	SCREW IHSC T		2	
21	537353456	LABEL	327LDx	1	
22	537353457	LABEL	327RJx	1	
23	537353458	LABEL	323Rll	1	
24	537353459	LABEL	327Rx	1	
25	537353460	LABEL	327RDx	1	



REF.	PART NO.	DESCRIPTION	REMARK	QTY.	KIT
1	503873305	STARTER PAWL		1	
2	735310820	E-CLIP		2	1
3	503873601	SPRING		2	1
4	503873502	STARTER PAWL		2	1
5	544071103	STARTER ASSY	Captive screws	1	
6	503217725	SCREW IHSCCT		1	5
7	544038702	DRIVER		1	5
8	544038802	SPRING		1	5
9	544166501	STARTER PULLEY ASSY		1	5
11	503858901	STARTER ROPE		1	5
12	537008401	STARTER HANDLE		1	5
13	537411602	STARTER HOUSING	Captive screws	1	5
15	544038601	STARTER PULLEY		1	5.9
16	503859001	RECOIL SPRING		1	5.9
17	574477003	SCREW IHSCFMO	Captive screw M5x16	1	5
18	537034101	PROTECTIVE PLATE		1	
19	503201412	SCREW IHSCFMO	M5x12	1	
20	503216618	SCREW IHSCCT		2	
21	537353456	LABEL	327LDx	1	
22	537353457	LABEL	327RJx	1	
23	537353458	LABEL	323Rll	1	
24	537353459	LABEL	327Rx	1	
25	537353460	LABEL	327RDx	1	