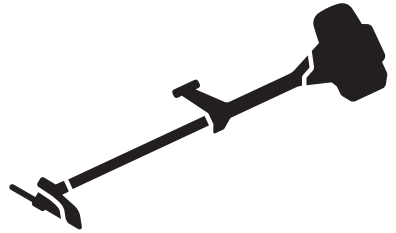




Husqvarna®



531RS, 541RS, 541RST



EN	Operator's manual	2-26
ES	Manual de usuario	27-52
FR	Manuel d'utilisation	53-79
PT	Manual do utilizador	80-105
RU	Руководство по эксплуатации	106-132
SR	Priručnik za rukovaoca	133-157
UK	Посібник користувача	158-184
AR	دليل المشغل	185-207

Contents

Introduction.....	2	Transportation and storage.....	23
Safety.....	4	Technical data.....	23
Assembly.....	10	Accessories.....	24
Operation.....	14	Declaration of Conformity.....	26
Maintenance.....	18	Appendix.....	208
Troubleshooting.....	22		

Introduction

Product description

This product is a grass trimmer/brushcutter with a combustion engine.

Work is constantly in progress to increase your safety and efficiency during operation. Speak to your servicing dealer for more information.

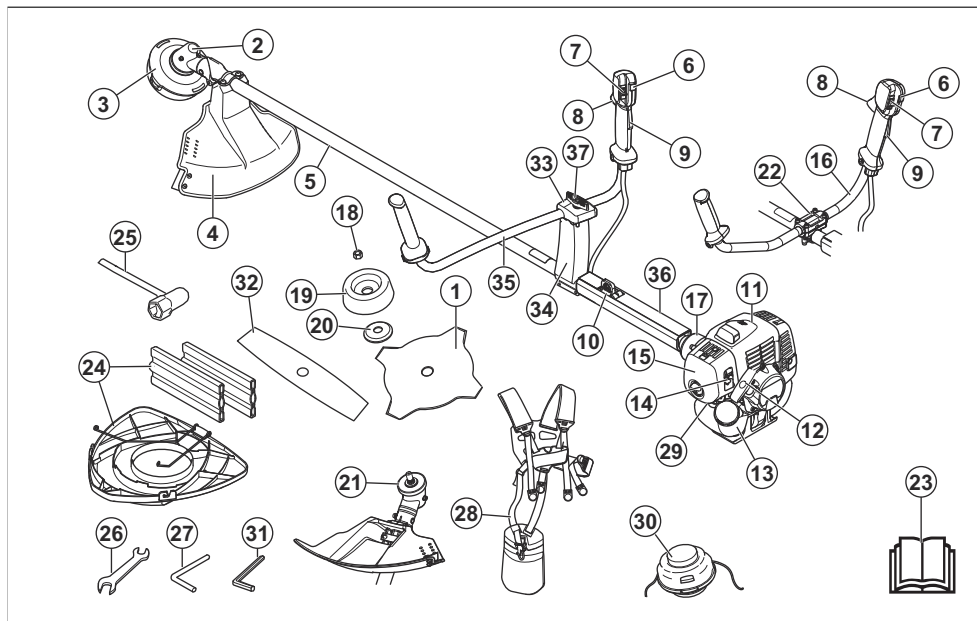
Intended use

The product can be used with a grass blade or a trimmer head to cut different types of vegetation. Do not use

the product for other tasks than grass trimming and grass clearing. Use a grass blade or trimmer head to cut grass.

Note: National or local regulations may regulate the use. Comply to given regulations.

Product overview



1. Blade (not for all markets)
2. Grease filler cap, bevel gear
3. Bevel gear
4. Cutting attachment guard

5. Shaft
6. Start throttle button
7. Stop switch
8. Throttle control

9. Throttle lockout
10. Suspension ring
11. Cylinder cover
12. Starter rope handle
13. Fuel tank
14. Choke control
15. Air filter cover
16. Handlebar (531RS, 541RS)
17. Clutch cover
18. Locknut
19. Support cup
20. Support flange
21. Drive disc
22. Handlebar clamp (531RS, 541RS)
23. Operator's manual
24. Transport guard (not for all markets)
25. Socket wrench
26. Wrench
27. Locking pin (for products without hex key)
28. Harness
29. Air purge bulb
30. Trimmer head (not for all markets)
31. Hex key
32. 2-teeth blade (not for all markets)
33. Cover (541RST)
34. Bracket (541RST)
35. Handlebar (541RST)
36. Protective sleeve
37. Knob (541RST)

Symbols on the product



WARNING: This product can be dangerous and cause serious injury or death to the operator or others. Be careful and use the product correctly.



Read the operator's manual carefully and make sure that you understand the instructions before use.



Use a protective helmet in locations where objects can fall on you. Use approved hearing protection and approved eye protection.



Maximum speed of the output shaft.



The product can cause objects to eject, which can cause injury.



Keep a minimum distance of 15 m / 50 ft. to persons and animals during operation of the product.



Risk of blade thrust if the cutting equipment touches an object that it does not immediately cut. The product can cut off body parts. Keep a minimum of 15 m / 50 ft. distance to persons and animals during operation of the product.



The arrows show the limit for the handle position.



Choke.



Air purge bulb.



Use approved protective gloves.



Use heavy-duty slip-resistant boots.



Noise emission to the environment refers to the European Community's Directive. The emission of the product is specified in *Technical data on page 23* and on the label.

yyyywwxxxx

The rating plate shows the serial number. **yyyy** is the production year and **ww** is the production week.

Note: Other symbols/decals on the product refer to certification requirements for other commercial areas.

Product damage

We are not responsible for damages to our product if:

- the product is incorrectly repaired.
- the product is repaired with parts that are not from the manufacturer or not approved by the manufacturer.
- the product has an accessory that is not from the manufacturer or not approved by the manufacturer.

- the product is not repaired at an approved service center or by an approved authority.

Safety

Safety definitions

The definitions below give the level of severity for each signal word.



WARNING: Injury to persons.



CAUTION: Damage to the product.

Note: This information makes the product easier to use.

General safety instructions



WARNING: Read the warning instructions that follow before you use the product.

- Use the product correctly. Injury or death is a possible result of incorrect use. Only use the product for the tasks found in this manual. Do not use the product for other tasks.
- Obey the instructions in this manual. Obey the safety symbols and the safety instructions. If the operator does not obey the instructions and the symbols, injury, damage or death is a possible result.
- Do not discard this manual. Use the instructions to assemble, to operate and to keep your product in good condition. Use the instructions for correct installation of attachments and accessories. Only use approved attachments and accessories.
- Do not use a damaged product. Obey the maintenance schedule. Only do the maintenance work that you find an instruction about in this manual. An approved service center must do all other maintenance work.
- This manual cannot include all situations that can occur when you use the product. Be careful and use your common sense. Do not operate the product or do maintenance on the product if you are not sure about the situation. Speak to a product expert, your dealer, service agent or approved service center for information.
- Disconnect the spark plug cable before you assemble the product, put the product into storage or do maintenance.
- Do not use the product if it is changed from its initial specification. Do not change a part of the product without approval from the manufacturer. Only use

parts approved by the manufacturer. Injury or death is a possible result of incorrect maintenance.

- Do not breathe in the fumes from the engine. Long-term inhalation of the engine's exhaust fumes is a health risk.
- Do not start the product indoors or near flammable material. The exhaust fumes are hot and can contain a spark which can start a fire. Not sufficient airflow can cause injury or death because of asphyxiation or carbon monoxide.
- When you use this product the engine makes an electromagnetic field. The electromagnetic field can cause damage to medical implants. Speak to your physician and medical implant manufacturer before you operate the product.
- Do not let a child operate the product. Do not let a person without knowledge of the instructions operate the product.
- Make sure that you always monitor a person, with decreased physical capacity or mental capacity, that uses the product. A responsible adult must be there at all times.
- Lock the product in an area that children and unapproved persons cannot access.
- The product can eject objects and cause injuries. Obey the safety instructions to decrease the risk of injury or death.
- Do not go away from the product when the engine is on.
- The operator of the product is responsible if an accident occurs.
- Make sure that parts are not damaged before you use the product.
- Make sure that you are at minimum 15 m (50 ft) away from other persons or animals before you use the product. Make sure that persons in the adjacent area know that you will use the product.
- Refer to national or local laws. They can prevent or decrease the operation of the product in some conditions.
- Do not use the product if you are fatigued or influenced by alcohol, drugs or medicine. They can have effects on your vision, alertness, coordination or judgment.

Safety instructions for assembly



WARNING: Read the warning instructions that follow before you use the product.

- Use approved protective gloves when you assemble the product and cutting attachment.

- Remove the spark plug cap from the spark plug before you assemble the product.
- Make sure that the correct handlebar and cutting attachment guard are assembled before you operate the product.
- A damaged or incorrect cutting attachment guard can cause injury. Do not use a cutting attachment without an approved cutting attachment guard.
- Attach the clutch cover and shaft correctly before you start the product.
- The drive disc and support flange must engage correctly in the center hole of the cutting attachment. A cutting attachment that is attached incorrectly can cause injury or death.
- Attach the harness to the product to prevent injury to the operator or others.

Safety instructions for operation

- Make sure the product is fully assembled before you use it.
- Before a start, move the product 3 m (10 ft) away from the position where you filled the fuel tank. Put the product on a flat surface. Make sure that the cutting attachment does not touch the ground or other objects.
- The product can cause objects to eject, which can cause damage to the eyes. Always use an approved eye protection when you operate the product.
- Be careful, a child can come near the product without your knowledge during operation.
- Do not operate the product if there are persons in the work area. Stop the product if a person goes into the work area.
- Make sure that you are always in control of the product.
- Do not use the product if you cannot receive aid if an accident occurs. Always make sure others know you will operate the product before you start to operate the product.
- Do not turn with the product before you make sure that no persons or animals are in the safety area.
- Remove all unwanted materials from the work area before you start. If the cutting attachment hits an object, the object can eject and cause injury or damage. Unwanted material can wind around the cutting attachment and cause damage.
- Do not use the product in bad weather (fog, rain, strong winds, risk of lightning or other weather conditions.). Dangerous conditions (such as slippery surfaces) can occur because of bad weather.
- Make sure that you can move freely and work in a stable position.



- Make sure that you cannot fall when you use the product. Do not tilt when you operate the product.
- Always hold the product with your two hands. Hold the product on the right side of your body.



- Operate the product with the cutting attachment below your waist.
- If the choke control is in the choke position when the engine starts, the cutting attachment starts to turn.
- Do not touch the bevel gear after the engine stops. The bevel gear is hot after the engine stops. Hot areas can cause injury.
- Stop the engine before you move the product.
- Do not put down the product with the engine on.
- Before you remove the unwanted materials from the product, stop the engine and wait until the cutting attachment stops. Let the cutting attachment stop before you or an aid remove the cut material.

Personal protective equipment

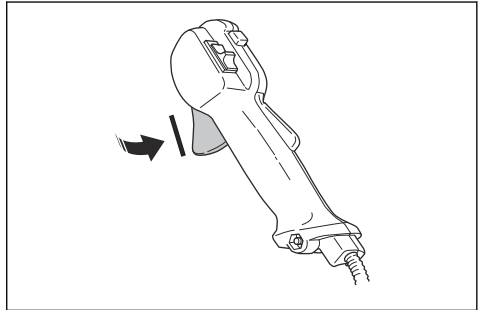


WARNING: Read the warning instructions that follow before you use the product.

- Always use correct personal protective equipment when you operate the product. The personal protective equipment does not erase the risk of injury. The personal protective equipment decreases the grade of injury if an accident occurs.
- Always use an approved eye protection while you operate the product.
- Do not operate the product with bare feet or with open shoes. Always use heavy-duty slip-resistant boots.
- Use heavy, long pants.
- If it is necessary, use approved protective gloves.

- Use a helmet if it is possible that objects fall on your head.
- Always use approved ear protection while you operate the product. Noise for a long period can cause noise-induced hearing loss.
- Make sure that you have a first aid kit near.

3. Make sure that the throttle trigger is locked at the idle position when the throttle trigger lockout is released.



Protective devices on the product

- Make sure that you regularly do the maintenance to the product.
 - The life of the product increases.
 - The risk of accidents decreases.

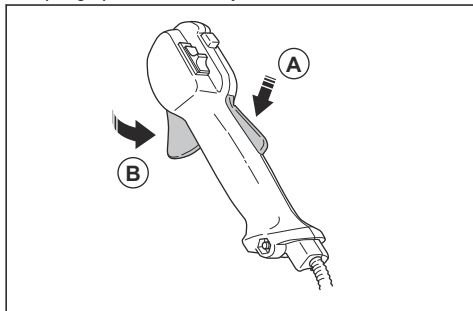
Let an approved dealer or an approved service center regularly examine the product to do adjustments or repairs.

- Do not use a product with damaged protective equipment. If the product is damaged, speak to an approved service center.

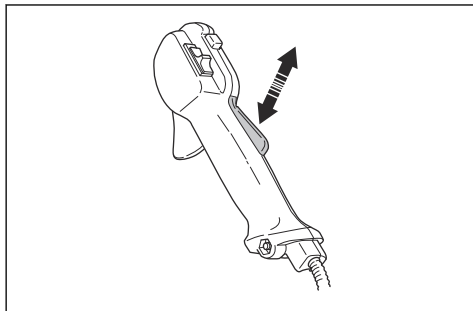
4. Start the product and apply full throttle.
5. Release the throttle trigger and make sure that the cutting attachment stops and stays stationary.

To do a check of the throttle trigger lockout

1. Make sure that the throttle trigger lockout (A) and throttle trigger (B) move freely and that the return spring operates correctly.



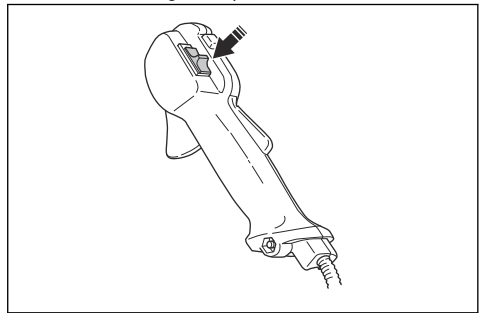
2. Push down the throttle trigger lockout and make sure that it goes back to its initial position when you release it.



WARNING: If the cutting attachment moves when the throttle trigger is in the idle position, then the carburetor idle speed must be adjusted. Refer to *To adjust the idle speed on page 20*.

To do a check of the stop switch

1. Start the engine.
2. Move the stop switch to the stop position and make sure that the engine stops.

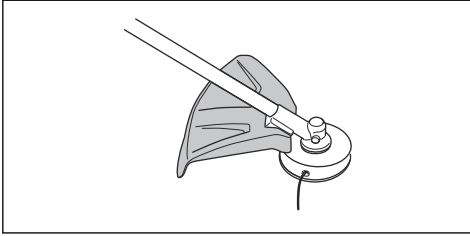


To do a check of the cutting attachment guard

The cutting attachment guard stops objects that ejects in the direction of the operator. It also prevents injuries that occur if you touch the cutting attachment.

1. Stop the engine.

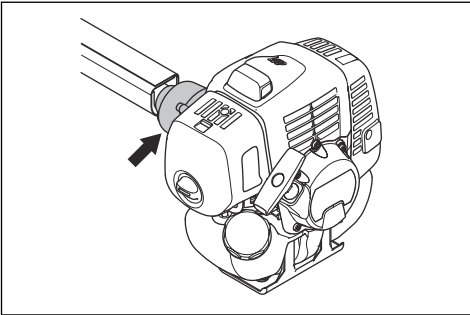
2. Do a visual check for damages, for example cracks.



3. Replace the cutting attachment guard if it is damaged.

To do a check of the vibration damping system

The vibration damping system decreases vibration in the handles to a minimum which makes the operation easier.



1. Stop the engine.
2. Do a visual check for deformation and damage, for example cracks.
3. Make sure that the elements of the vibration damping system are attached correctly.

To do a check of the quick-release mechanism

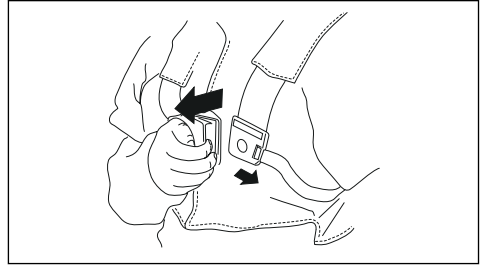


WARNING: Do not use a harness with a quick-release mechanism that does not operate correctly.

The quick-release mechanism lets the operator remove the product quickly from the harness if there is an emergency.

1. Stop the engine.
2. Do a visual check for damage, for example cracks.

3. Release and attach the quick-release mechanism to make sure that it operates correctly.



To do a check of the muffler

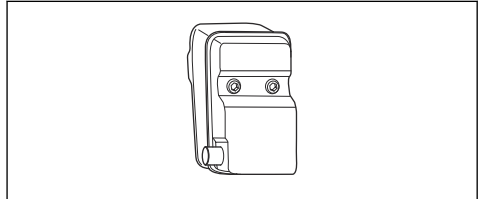


WARNING: Never use a product with a faulty muffler.

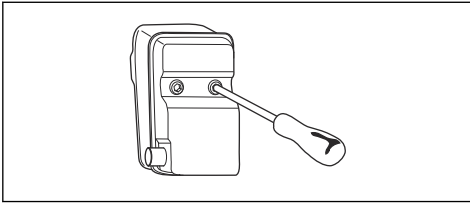


WARNING: Bear in mind that the exhaust fumes from the engine are hot and may contain sparks which can start a fire. Never start the product indoors or near combustible material!

The muffler keeps noise levels to a minimum and sends exhaust fumes away from the operator. For mufflers it is very important that you follow the instructions on how to check, maintain and service your product.



Regularly check that the muffler is securely attached to the product.



- Always use the recommended guard for the cutting equipment. See Technical data.



WARNING: Only use cutting attachments with the guards we recommend! See the chapter on Technical data. Refer to the instructions for the cutting attachment to check the correct way to load the trimmer line and the correct trimmer line diameter.



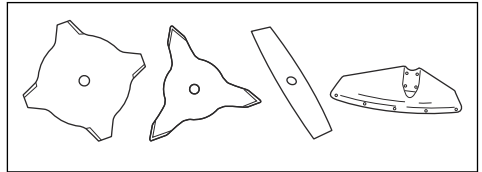
WARNING: A faulty cutting attachment may increase the risk of accidents.



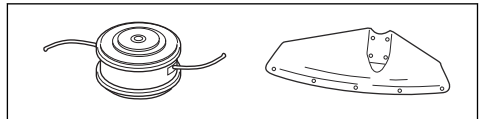
WARNING: Always stop the engine before doing any work on the cutting attachment. This continues to rotate even after the throttle has been released. Ensure that the cutting attachment has stopped completely and disconnect the spark plug cap before you start to work on it.

Cutting equipment

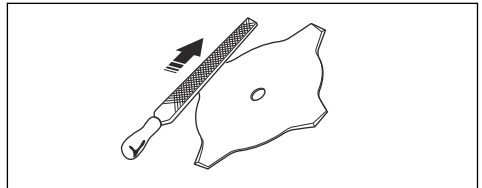
- Use the blades and grass knives to cut thick grass.



- Use the trimmer head to cut grass.



- An incorrectly sharpened or damaged blade increases the risk of accidents. Keep the teeth of the blade correctly sharpened. Follow the instructions in *Maintenance on page 18* and use the recommended file gauge.



- Examine the cutting attachment for damage and cracks. Replace the damaged cutting attachment.
- Only use cutting attachments with recommended cutting attachment guards. Refer to *Accessories on page 24*.

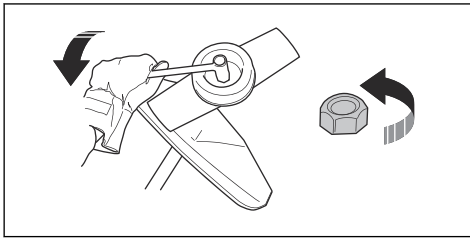
To attach and remove the locknut



WARNING: Stop the engine, use protective gloves and be careful around the sharp edges of the cutting attachment.

A locknut is used to attach some types of cutting attachments. The locknut has a left thread.

- To attach, tighten the locknut in the opposite direction to the direction of turning of the cutting attachment.
- To remove the locknut, loosen the locknut in the same direction as the cutting attachment rotates.
- To loosen and tighten the locknut, use a socket wrench with a long shaft. The arrow in the picture shows the area where you can operate the socket wrench.



WARNING: When you loosen and tighten the locknut, there is a risk of injury from the blade. You must always make sure that the blade guard prevents injury to your hand when you do this.

Note: Make sure that you can not turn the locknut by hand. Replace the nut if the nylon lining does not have a resistance of a minimum of 1.5 Nm. The locknut must be replaced after it has been put on approximately 10 times.

Cutting equipment

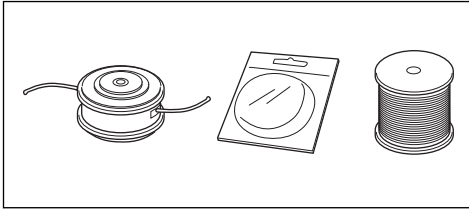
Choose and maintain the cutting equipment to:

- Obtain maximum cutting performance.
- Increase life span of the cutting equipment.
- Follow the checking, maintenance and service instructions for the muffler.

Trimmer head



WARNING: Always make sure that the trimmer line is wound tightly and equally around the drum to prevent harmful vibration.



- Only use recommended cutting attachments.
- The length of the trimmer line is important. For a longer trimmer line, more engine power is necessary than for a shorter trimmer line of the same diameter.
- Do not move the installation position of the trimmer guard.
- Make sure that the cutter on the trimmer guard is not damaged. The cutter cuts the trimmer line to the correct length.
- Soak the trimmer line for 2 days before use, to increase its life length.

Grass blades and grass cutters

- Use the product with an approved grass blade. Do not use a grass blade without proper installation of all required parts. Make sure that the installation is done correctly and that the proper parts are used. Improper installation may cause the blade to fly off and seriously injure the operator or the bystanders.
- Wear protective gloves when you handle or do maintenance on the blade.
- Use head protection when you operate a product with a grass blade.
- Grass blades and grass cutters are used to cut rough grass.
- A grass blade can cause injury while it continues to spin after the engine is stopped or the throttle trigger is released. Make sure that the grass blade has completely stopped rotating before any maintenance.
- Stop the engine before you do work on the cutting attachment. Make sure the cutting attachment fully stops. Disconnect the lead from the spark plug.
- Only use an approved cutting attachment or a correctly sharpened blade.
- Keep the teeth of the blade correctly sharpened.
- Do not use a damaged cutting attachment.
- Attach the transport guard to the grass blade when you transport or store the product.

Blade thrust

- A blade thrust is a sudden movement of the product to the side, forward or rearward. A blade thrust occurs when the grass blade hits an object that cannot be cut. In areas where it is not easy to see the material being cut the risk of blade thrust increases.
- When a blade thrust occurs, there is a risk that the product or the operator moves out of position. A blade that moves can hit bystanders and there is a risk of injuries.
- If a blade is bent, has cracks, is broken or damaged, discard the blade.
- Use a sharp blade. The risk of blade thrust increases when a blade is not sharp.

Fuel safety

- Do not start the product if there is fuel or engine oil on the product. Remove the unwanted fuel/oil and let the product dry. Remove unwanted fuel from the product.
- If you spill fuel on your clothing, change clothing immediately.
- Do not get fuel on your body, it can cause injury. If you get fuel on your body, use a soap and water to remove the fuel.
- Do not start the engine if you spill oil or fuel on the product or on your body.
- Do not start the product if the engine has a leak. Examine the engine for leaks regularly.
- Be careful with fuel. Fuel is flammable and the fumes are explosive and can cause injuries or death.
- Do not breathe in the fuel fumes, it can cause injury. Make sure that there is a sufficient airflow.
- Do not smoke near the fuel or the engine.
- Do not put warm objects near the fuel or the engine.
- Do not add the fuel when the engine is on.
- Make sure that the engine is cool before you refuel.
- Before you refuel, open the fuel tank cap slowly and release the pressure carefully.
- Do not add fuel to the engine in an indoor area. Not sufficient airflow can cause injury or death because of asphyxiation or carbon monoxide.
- Tighten the fuel tank cap carefully or a fire can occur.
- Move the product at a minimum of 3 m (10 ft) from the position where you filled the tank before a start.
- Do not put too much fuel in the fuel tank.
- Make sure that a leak cannot occur when you move the product or fuel container.
- Do not put the product or a fuel container where there is an open flame, spark or pilot light. Make sure that the storage area does not contain an open flame.
- Only use approved containers when you move the fuel or put the fuel into storage.

- Empty the fuel tank before long-term storage. Obey the local law on where to dispose fuel.
- Clean the product before long-term storage.
- Remove the spark plug cable before you put the product into storage to make sure that the engine does not start accidentally.

Safety instructions for maintenance

- If you cannot adjust the idle speed to make the cutting attachment stop, speak to your service center. Do not use the product until the product is correctly adjusted or repaired.

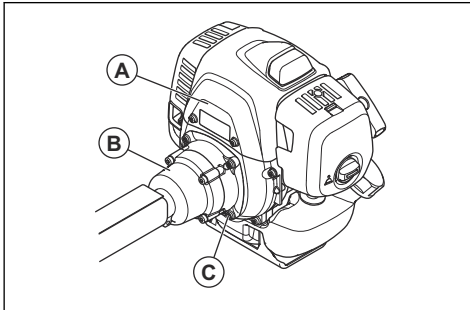
Assembly



WARNING: Read the safety chapter before you assemble the product.

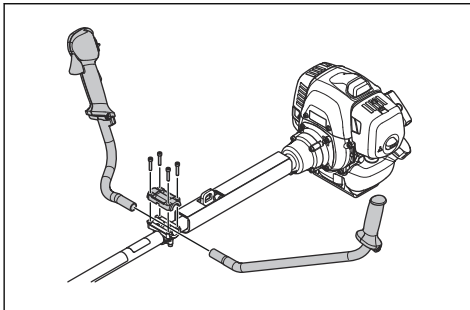
To install the body of the product

- Attach the engine (A) to the tube (B) with 4 screws (C).

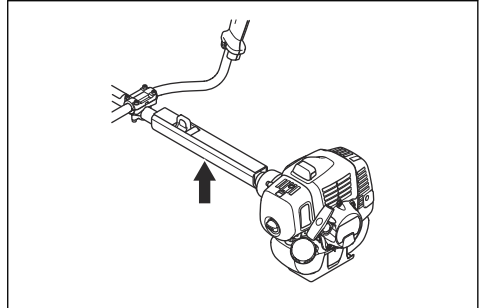


To install the handlebar(531RS, 541RS)

1. Install the handlebar in the handlebar clamp on the shaft.

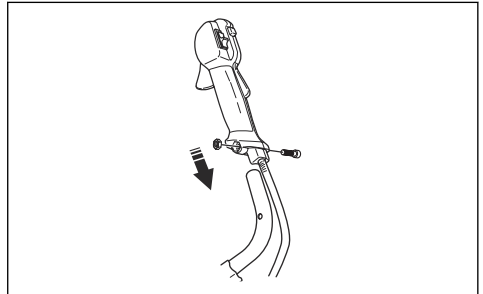


2. Install the protective sleeve.



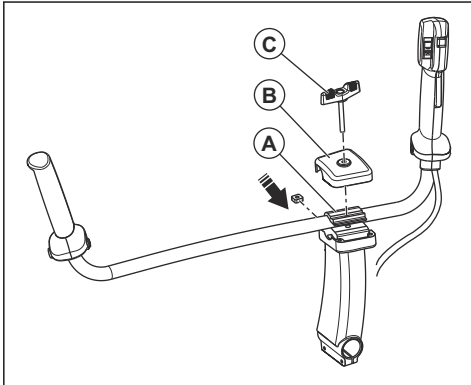
To install the handlebar (541RST)

1. Remove the screw behind the throttle handle.



2. Install the throttle handle to the right handlebar.
3. Align the hole behind the throttle handle with the hole in the handlebar.
4. Put the screw through the holes. Tighten the screw.

- Put the handlebar assembly and the square nut into the bracket. Make sure that the handlebar is in the correct position.



- Install the handlebar clamp (A), cover (B) and knob (C).
- Align the holes for the knob screw.
- Tighten the knob to lock the handlebar tightly.

To install the harness

- Put on the harness and hang the product from the suspension point.
- Adjust the handle to put the product in a good work position.

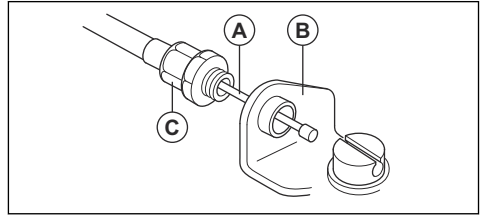


- Tighten the screws fully.

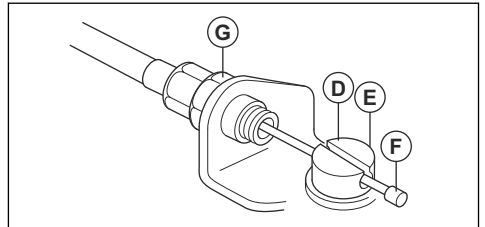
To connect the throttle cable and stop switch wires

- Remove the air filter cover.

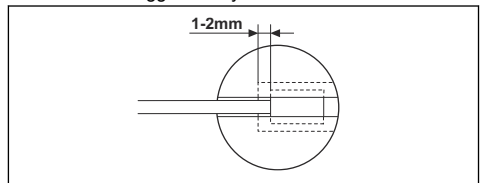
- Install the throttle cable (A) through the carburetor bracket (B).



- Turn the cable adjuster sleeve (C) into the carburetor bracket fully.
- Put the slot fitting (D) on the carburetor. At this time, the recessed hole (E) for the cable lug (F) is away from the cable adjuster sleeve (C).

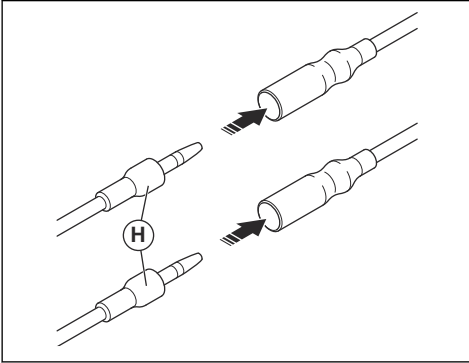


- Rotate the carburetor throttle cam and move the throttle cable (A) through the slot in the slot fitting.
- Make sure the cable lug (F) drops into the recessed hole.
- Operate the throttle trigger some times to make sure that it operates correctly.
- Adjust the cable adjuster sleeve (C).
 - Make sure the stop on the carburetor throttle cam touches the throttle stop correctly.
 - Make sure the cable position keeps 1-2 mm between cable lug (F) and slot fitting when the throttle trigger is fully released.

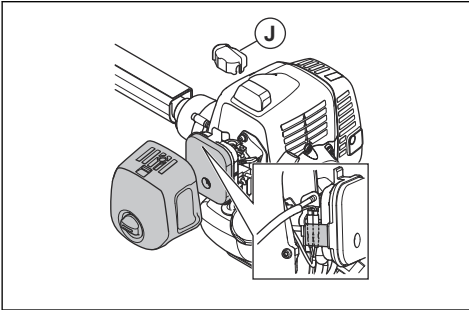


- When the throttle cable (A) is adjusted correctly, tighten the locknut (G).

10. Connect the stop switch wires (H) with the connectors from the engine.



11. Install the dust cover (J).



12. Install the air filter cover.

To install blades and trimmer heads



WARNING: Only use the approved guard for the blades. See *Accessories on page 24*. A damaged guard can cause injury.



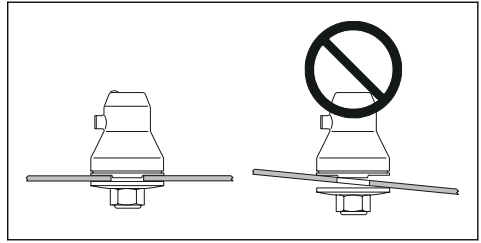
WARNING: If you operate the product with a grass blade, first install the correct handlebar, blade guard and harness .



WARNING: If you do not install the the blades correctly, it can cause injury.

1. Make sure that the lifted section on the drive disc/ support flange engages correctly in the center hole of the blades.

2. Install the blades.

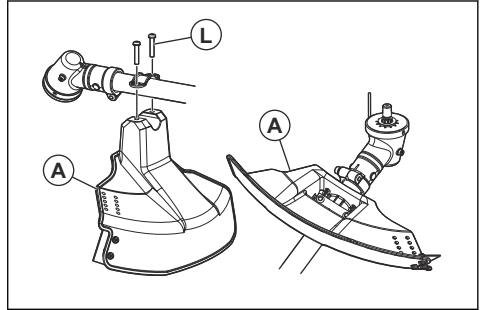


To install a blade guard and grass blade

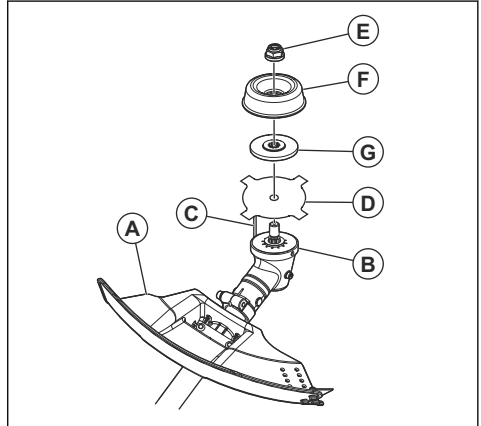


CAUTION: Only use the approved guard for the blades. Refer to *Accessories on page 24*.

1. Attach the blade guard/cutting attachment guard (A) onto the shaft and tighten with the bolt (L).



2. Install the drive disc (B) on the output shaft.



3. Turn the output shaft until 1 of the holes in the drive disc aligns with the related hole in the gear housing.
4. Put the locking pin or the hex key (C) in the hole to lock the shaft.
5. Put the blade (D), support flange (G) and support cup (F) on the output shaft.

6. Install the nut (E). Hold the shaft of the wrench near the blade guard. To tighten the nut, you must turn the wrench in the opposite direction of rotation. Tighten the nut to a torque of 35-50 Nm/3.5-5 kpm.

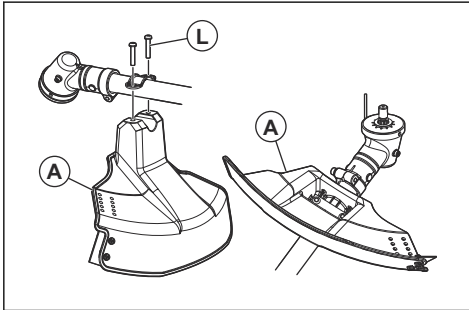
Note: Left hand thread.

To attach the trimmer guard and the trimmer head

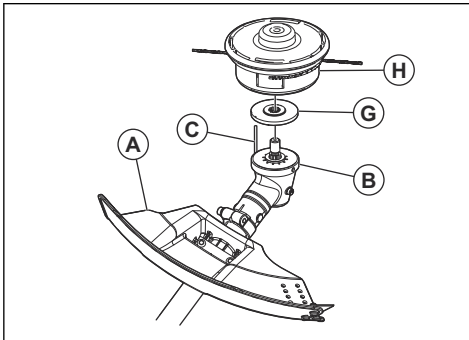


WARNING: Use the correct trimmer guard for the correct trimmer head.

1. Attach the trimmer guard (A) to the shaft with the bolts (L).

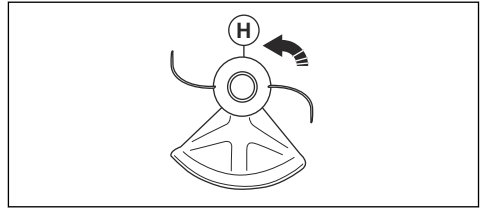


2. Attach the drive disc (B) and support flange (G) to the output shaft.



3. Turn the output shaft until the hole in the drive disc aligns with the hole in the gear housing.
4. Put the locking pin or the hex key (C) in the hole to lock the shaft.

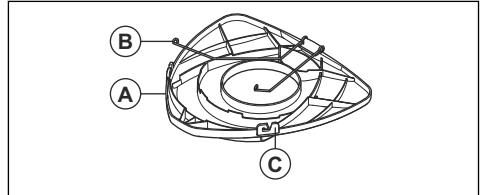
5. Turn the trimmer head (H) counterclockwise.



6. To disassemble, do the reverse procedure.

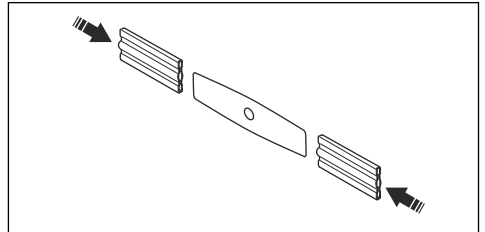
To install the transport guard

1. Install the blade in the transport guard (A).
2. Put the two fasteners (B) into the slots (C) to attach the transport guard.



To install the 2-teeth blade in the guard

1. Install the blade in the transport guard.



To adjust the harness



WARNING: The product must always be correctly attached to the harness. Do not use a damaged harness.

1. Put on the harness.
2. Connect the product to the harness.
3. Adjust the harness for the best work position.

- Adjust the side straps to make the product weigh equally on your shoulders.



- Adjust the harness until the cutting attachment is parallel to the ground.
- Let the cutting attachment lightly touch the ground. Adjust the harness clamp to balance the product correctly.

Note: If you use a grass blade, it must balance approximately 10 cm /4 in above the ground.

Operation



WARNING: Read and understand the safety chapter before you operate the product.

Fuel

To use fuel



CAUTION: This product has a two-cycle engine. Use a mixture of gasoline and two-cycle engine oil. Make sure to use the correct quantity of oil in the mixture. Incorrect ratio of gasoline and oil can cause damage to the engine.

Gasoline



CAUTION: Do not use gasoline with an octane number less than 90 RON (87 AKI). This can cause damage to the product.



CAUTION: Do not use gasoline with more than 10% ethanol concentration (E10). This can cause damage to the product.



CAUTION: Do not use leaded gasoline. This can cause damage to the product.

- Always use new unleaded gasoline with a minimum octane number of 90 RON (87 AKI) and with less than 10% ethanol concentration (E10).
- Use gasoline with a higher octane number if you frequently use the product at continuously high engine speed.
- Always use a good quality unleaded gasoline/oil mixture.

Two-cycle engine oil

- Use only the two-cycle engine oil of high quality, especially HUSQVARNA two-cycle oil. Use only the oil of an air cooled engine.
- Mixture ratio 50:1 (2%).
- Oil of low quality and high oil/fuel ratio can decrease the lifetime of catalytic converters.
- Speak to your dealer when you select an oil.
- If Husqvarna two-stroke oil is not available, you can use another two-stroke oil of good quality that is intended for air cooled engines. Contact your dealer when you select oil.
- Do not use the two-stroke oil for water-cooled outboard engines. The two-stroke oil is sometimes referred to as outboard oil.

Gasoline, liter	Oil, liter
	2%(50:1)
5	0,1
10	0,2
15	0,3
20	0,4

To make the fuel mixture

Note: Always use a clean fuel container when you mix the fuel.

Note: Do not make more than 30 days quantity of fuel mixture.

- Add half of the gasoline quantity.
- Add the full quantity of oil.
- Shake the fuel mixture to mix the contents.
- Add the remaining gasoline quantity.
- Shake the fuel mixture to mix the contents.

6. Fill the fuel tank.

Or it can cause a risk of dangerous injury.
The safety distance is 15 m.

To add fuel



WARNING: Do not smoke or put hot objects near fuel. Before you add fuel, stop the engine and let it cool for minutes.



WARNING: When you add fuel, open the fuel tank cap slowly to release unwanted pressure.



WARNING: After you add fuel, tighten the fuel tank cap carefully. Move the machine away from the refuelling area and the power before you start the engine.

- Always use a fuel container with an anti-spill valve.
- Make sure that the area near the fuel tank cap is clean. Contamination in the tank can cause operating problems.
- Shake the fuel container before you add the fuel mixture to the fuel tank.

To start and stop

To examine before start

1. Examine the product for missing, damaged, loose or worn parts.
2. Examine the nuts, screws and bolts.
3. Examine the blades.
4. Examine the locknut. Make sure that the locknut has a minimum locking force of 1.5 Nm (1,1 ft lb). Torque the locknut to 35-50 Nm (26-36 ft lb).
5. Examine the air filter.
6. Examine the throttle trigger lockout and the throttle control.
7. Examine the stop switch.
8. Examine the product for fuel leaks.

To start a cold engine



WARNING: Before you start the product, install the complete clutch cover and shaft. A loose clutch can cause injury. Use gloves.

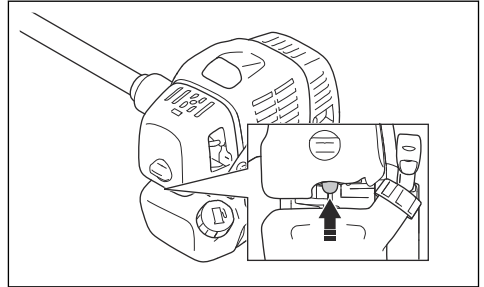


WARNING: Move the product away from the refuelling area and the fuel source. Put it on a flat surface. Make sure that no objects touch the cutting attachment.

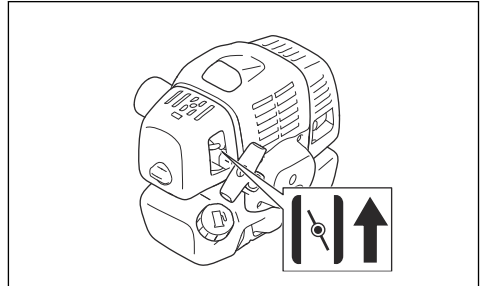


WARNING: Make sure that no unauthorised persons are in the work area.

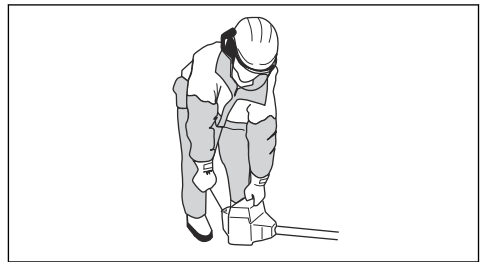
1. Put the stop switch to the start position.
2. Push the air purge bulb until fuel starts to fill the bulb.



3. Move the choke control to the choke position.



4. Hold the product to the ground. Pull out the starter rope slowly with your right hand until you feel some resistance.



Note: Do not twist the starter rope around your hand.



CAUTION: Do not pull the starter rope to full extension. Hold the starter rope handle when it is fully extended. Failure to obey these instructions can cause damage to the engine.

5. Pull the starter rope quickly and with force until you hear that the engine starts.

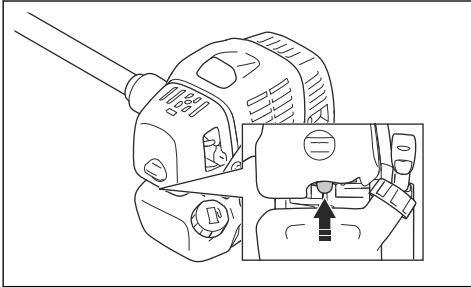
- Set the choke control to the run position.



WARNING: Do not touch the cover. It can burn your skin and cause electrical shock if the spark plug cap is damaged. Do not use a product with damaged spark plug cap.

To start a warm engine

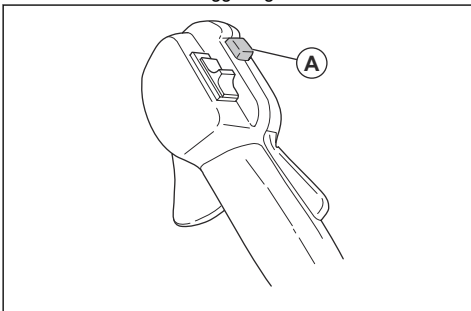
- Put the stop switch to the start position.
- Push the air purge bulb until fuel starts to fill the bulb.



- Set the choke control to the run position, then pull the start rope until the engine starts.

To start with a throttle handle with a start throttle lock

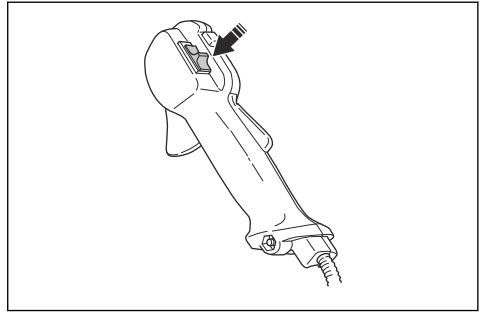
- Push the throttle lockout and the throttle trigger to set the throttle to the start position. Then push the start throttle button (A).
- Release the throttle lockout and the throttle trigger, followed by the start throttle button. The throttle function is now activated.
- To return the engine to idle speed, push the throttle lockout and throttle trigger again.



To stop the engine

- Push the throttle trigger to the idle position.

- Move the stop switch to the stop position.



To operate the grass trimmer



CAUTION: Make sure that you slow the engine to idle speed after each operation. A long period at full throttle without a load on the engine can cause damage to the engine.

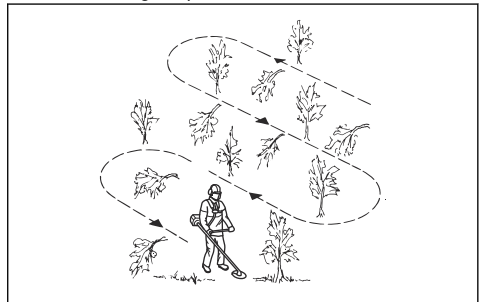
Note: Clean the cover of the trimmer head when you attach a new trimmer line to prevent vibrations. Examine other parts of the trimmer head and clean if it is necessary.

General work instructions



WARNING: Be careful when you cut a tree that is in tension. It can spring back to its normal position before or after the cut and hit you or the product, and cause injury.

- Clear an open space at one end of the work area, and start the work from there.
- Move in a regular pattern across the work area.



- Move the product fully to the left and right, to clear a width of 4–5 m (13–16 ft) on each turn.
- Clear a length of 75 m (250 ft) before you turn and go back. Move the fuel can along with you as you continue.
- Move in a direction where you do not go across ditches and obstacles more than necessary.

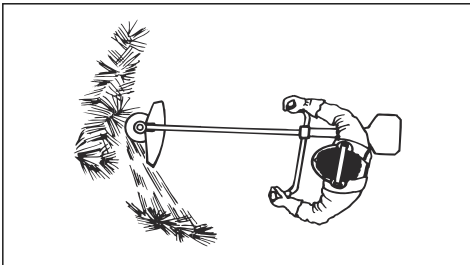
- Move in a direction where the wind makes the cut vegetation fall in the cleared area.



- Move along slopes, not up and down.

To clear grass with a grass blade

1. Keep your feet apart during operation of the product. Make sure feet are tightly against the ground.
2. Put the support cup lightly on the ground. This prevents the blade from touching the ground.
3. Use a sideways movement from right to left for a clear stroke. Use the left side of the blade (between 8 and 12 o'clock) to cut.

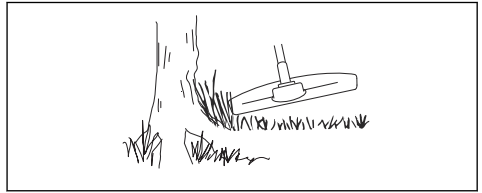


4. Angle the blade to the left when you clear grass.

Note: The grass collects easily in a line.

5. Use a sideways movement from left to right for the return stroke.
6. Do the work rhythmically.
7. Move forward and keep feet tightly against the ground.
8. Stop the engine.
9. Remove the product from the clip on the harness.
10. Put the product on the ground.
11. Collect the cut material.

To clear

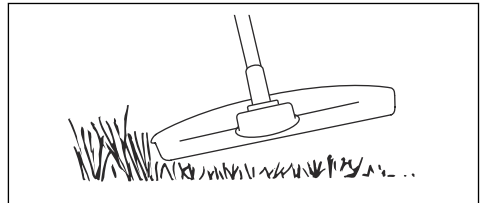


To achieve the best results:

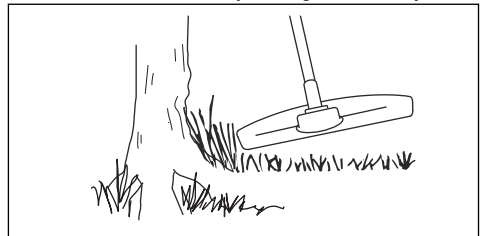
- Hold the trimmer so that the trimmer head is just above the ground.
- Tilt the trimmer head at a slight angle.
- Let the end of the trimmer line strike the ground around objects.

To trim the grass

1. Hold the trimmer head immediately above the ground at an angle. Do not push the trimmer line into the grass.

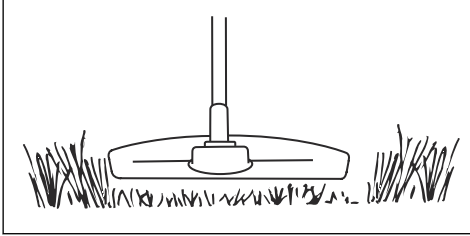


2. Decrease the length of the trimmer line by 10-12 cm / 4-4.75 in.
3. Decrease the engine speed to decrease the risk of damage to plants.
4. Use 80 % throttle when you cut grass near objects.

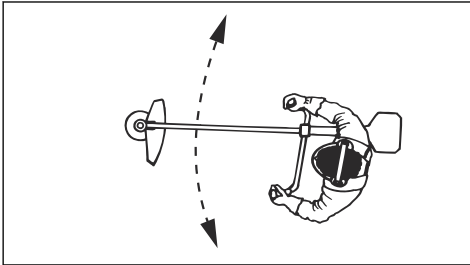


To cut the grass

1. Make sure that the trimmer line is parallel to the ground when you cut.



2. Do not push the trimmer head to the ground. The ground and the product can be damaged.
3. Do not let the trimmer head touch the ground continuously, it can cause damage to the trimmer head.
4. Use full throttle when you move the product from side to side to cut grass.



To sweep the grass

The airflow from the rotating trimmer line can be used to remove cut grass from an area.

1. Hold the trimmer head and its trimmer line parallel to the ground and above the ground.
2. Apply full throttle.
3. Move the trimmer head from side to side and sweep the grass.



WARNING: Clean the trimmer head cover each time you assemble new trimmer line to prevent unbalance and vibrations in the handles. Also do a check of the other parts of the trimmer head and clean it if necessary.

To replace trimmer line

Refer to the last page of this operator's manual.

Maintenance



WARNING: Read and understand the safety chapter before you clean, repair or do maintenance on the product.

Maintenance schedule

Maintenance	Daily	Weekly	Monthly
Clean the external surface.	X		
Examine the harness for damages.	X		
Do a check of the throttle and the throttle trigger.	X		
Make sure that the cutting attachment does not rotate at idle speed.	X		
Do a check of the stop switch. Refer to <i>To do a check of the stop switch on page 6.</i>	X		
Examine the cutting attachment guard for damages and cracks.	X		
Make sure that the grass blade is aligned with the center. Make sure that the grass blade is sharp and that the blade or center hole is not damaged.	X		

Maintenance	Daily	Weekly	Monthly
Examine the trimmer head for damages and cracks. Replace if it is damaged.	X		
Examine the handle and handlebar for damage and make sure that they are attached correctly.	X		
For cutting attachments with a support cup, tighten the locking screw correctly.	X		
For cutting attachments with a locknut, tighten the locknut correctly.	X		
Examine the transport guard for damage and make sure that it can be attached correctly.	X		
Examine the engine, the fuel tank and the fuel lines for leaks.	X		
Clean the air filter. Replace if it is necessary.	X		
Tighten nuts and screws.	X		
Examine the fuel filter for contamination and the fuel hose for cracks and other damages. Replace if it is necessary.	X		
Examine all cables and connections.	X		
Examine the starter and the starter rope for damages.		X	
Examine the spark plug. Refer to <i>To do a check of the spark plug on page 21</i> .		X	
Make sure that the bevel gear is filled to $\frac{3}{4}$ with grease.		X	
Clean the external surface of the carburetor and the area around it.		X	
Clean the spark plug. Remove the spark plug and do a check of the electrode gap. Adjust the electrode gap or replace the spark plug if it is necessary. Refer to <i>Technical data on page 23</i> . Make sure that the spark plug is assembled with a suppressor.		X	
Examine the clutch, clutch springs and the clutch drum for wear. Replace if it is necessary.			X
Replace the spark plug. Make sure that the spark plug is assembled with a suppressor.			X
Lubricate the drive shaft.			X
Make sure that the vibration damping units are not damaged.		X	
Clean the cooling system of the product.		X	
Clean the muffler.			X

To adjust the carburetor

The basic carburetor settings are adjusted during testing at the factory. Adjustment must be carried out by a trained technician.



WARNING: Risk of burn injury or fire. Mufflers with catalytic converters become very hot during operation.

To do a check of the muffler



WARNING: Do not use a product that has a damaged muffler. Always replace a damaged muffler.



WARNING: Risk of fire. The muffler decreases the noise level and points the exhaust gases away from the operator. The exhaust gases are hot and can contain sparks.



CAUTION: The spark arrester screen must be replaced if it is damaged. Do not use a product if the spark arrester screen on the muffler is missing or damaged.



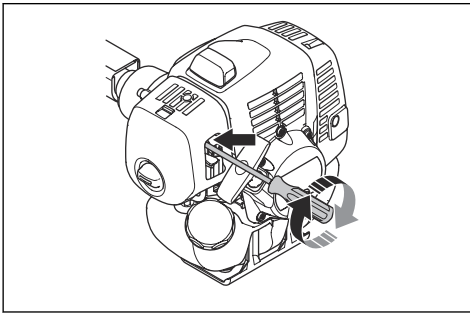
CAUTION: If the spark arrester screen is blocked, the product becomes very hot and this causes damage to the cylinder and piston.

1. Make sure that the muffler is not damaged.
2. Make sure that the muffler is correctly attached to the product.

To adjust the idle speed

Your Husqvarna product is made to specifications that decrease harmful emissions.

1. Make sure that the air filter is clean and the air filter cover is attached before you adjust the idle speed.
2. Adjust the idle speed with the idle speed screw T which is identified with "T" mark.
 - a) Turn the idle speed screw T clockwise until the cutting attachment starts to rotate.



- b) Turn the idle speed screw T counterclockwise until the cutting attachment stops and the noise from the clutch decreases.



WARNING: If the cutting attachment does not stop when you adjust the idle speed, speak to your servicing dealer. Do not use the product until it is correctly adjusted or repaired.

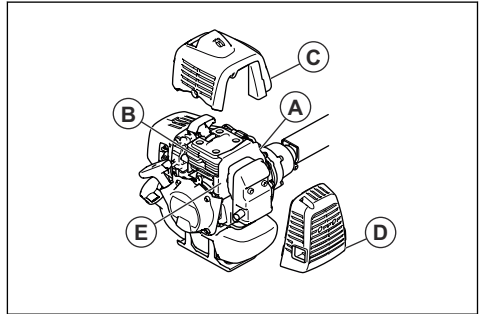
3. The idle speed is correct when the engine operates smoothly in all positions. The idle speed must be below the speed when the cutting attachment starts to rotate.

Note: Refer to *Technical data on page 23* for the recommended idle speed.

Cooling system

The product has a cooling system to keep the work temperature low.

The cooling system has:



- Fins on the flywheel (A)
- Cooling fins on the cylinder (B)
- Cylinder cover (C) (directs cold air over the cylinder)
- Muffler cover (D)
- Muffler plate (E)

To clean the cooling system

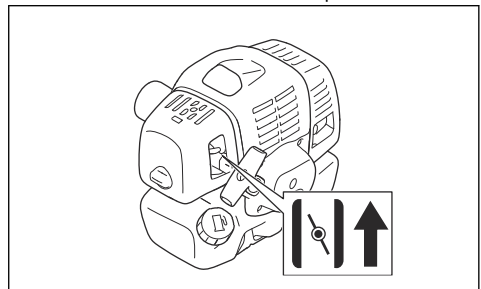


WARNING: A dirty or blocked cooling system causes overheating. It causes damage to the piston and cylinder.

1. Clean the parts of the cooling system with a brush a minimum of one time a week.

Air filter

- Clean the filter at intervals of 25 hours. Clean more regularly if necessary.
- Set the choke control in the choke position.



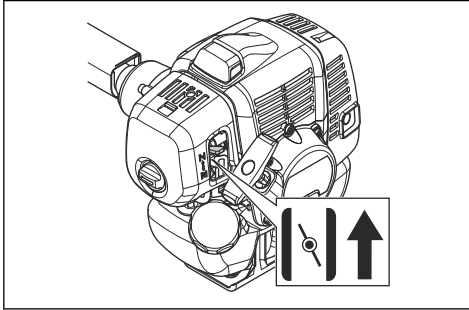
To clean the air filter



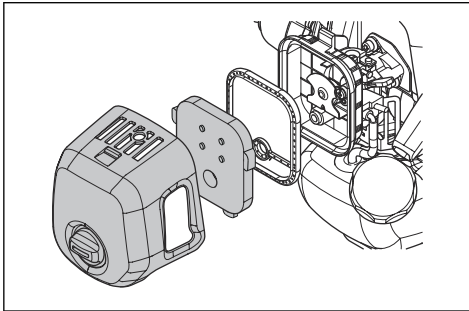
CAUTION: Always replace an air filter that is damaged, very dirty or soaked with fuel.

If you use an air filter for a long time, it cannot be fully cleaned. Replace the air filter with a new one at regular intervals.

1. Close the choke valve.



2. Remove the air filter cover.



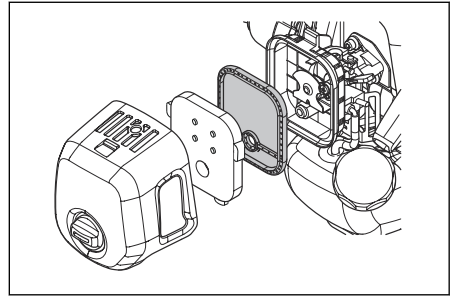
3. Remove the air filter.
4. Clean the air filter with warm soap water.
5. Replace the air filter if it is too dirty to fully clean it. Always replace a damaged air filter.
6. Clean the inner surface of the air filter cover. Use air or a brush.
7. Make sure that the air filter is dry before you install it.

Felt filter

- Hit the felt filter carefully against your hand or use compressed air to clean the felt filter.

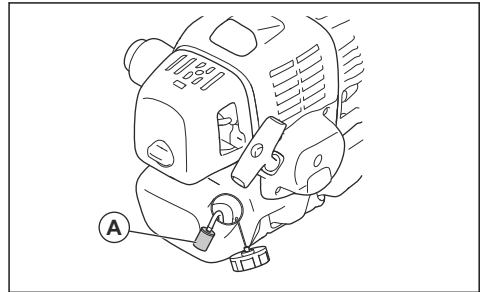


CAUTION: Do not use water to clean the felt filter. Water can cause damage to the felt filter.



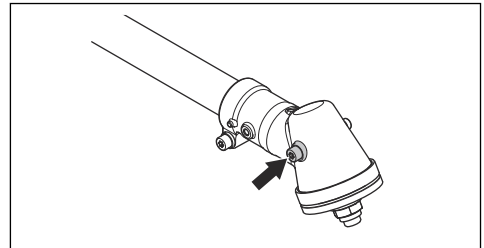
Fuel filter

When the engine runs short of fuel supply, make sure that the fuel tank cap and the fuel filter (A) is not blocked.



To add grease to the bevel gear

- Make sure that the bevel gear is filled $\frac{3}{4}$ full with bevel gear grease.



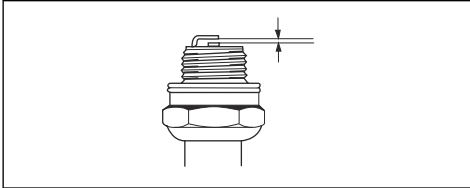
To do a check of the spark plug



CAUTION: Always use the recommended spark plug type. Incorrect spark plug type can cause damage to the product.

- Do a check of the spark plug if the engine is low on power, is not easy to start or does not operate correctly at idle speed.
- To decrease the risk of unwanted material on the spark plug electrodes, obey these instructions:

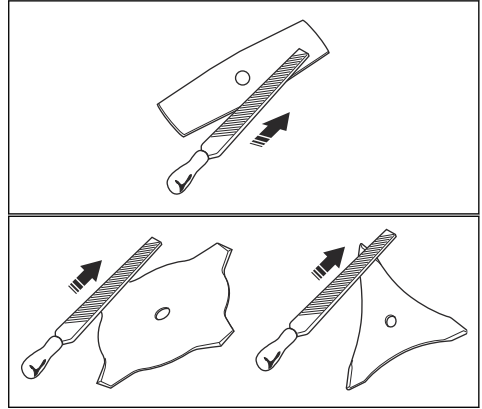
- a) Make sure that the idle speed is correctly adjusted.
- b) Make sure that the fuel mixture is correct.
- c) Make sure that the air filter is clean.
- If the spark plug is dirty, clean it and make sure that the electrode gap is correct, refer to *Technical data on page 23*.



- Replace the spark plug if it is necessary.

To sharpen grass cutters and grass blades

- Sharpen all edges of the grass cutters and blades equally to keep the balance. Use a single-cut flat file.



Troubleshooting

Troubleshooting

Starting failure		
Check	Possible cause	Solution
Stop button	Stop position	Set the stop switch to the start position.
Starter pawls	Binding pawls	Adjust or replace the pawls.
		Clean around the pawls.
		Speak to an approved servicing dealer.
Fuel tank	Incorrect fuel type.	Drain it and use correct fuel.
Carburetor	Adjustment of the idle speed.	Adjust the idle speed with the T screw.
Spark (no spark)	Spark plug dirty or wet.	Make sure that the spark plug is dry and clean.
	Spark plug clearance incorrect.	Clean the spark plug. Check that the electrode gap is correct. Make sure that the spark plug is installed with a suppressor.
		Refer to technical data for correct electrode gap.
Spark plug	Spark plug loose.	Tighten the spark plug.
Fuel filter	Clogged fuel filter.	Replace the fuel filter.

Engine starts but does not stay running		
Check	Possible cause	Solution
Fuel tank	Incorrect fuel type.	Drain it and use correct fuel.
Carburetor	Engine will not idle correctly.	Speak to your servicing dealer.
Air filter	Clogged air filter.	Clean the air filter.
Fuel filter	Clogged fuel filter.	Replace the fuel filter.

Transportation and storage

- Keep equipment safe during transportation to prevent damage and accidents.
- Keep the product and equipment in a dry and frost-proof area.
- Clean the product.
- Replace or repair damaged components.
- Use the correct protective cover on the product that does not keep moisture.
- Keep the product tightly attached during transport.

Technical data

Technical data

	531RS	541RS	541RST
Engine			
Cylinder displacement, cm ³	33.6	41.5	41.5
Cylinder diameter, Ø mm	36	40	40
Cylinder stroke length, mm	33	33	33
Idle speed, min ⁻¹ (rpm)	2500±200	2500±200	2500±200
Recommended max. speed, min ⁻¹ (rpm)	12000	12000	12000
Speed of output shaft, min ⁻¹ (rpm)	8570	8570	8570
Max. engine output, according to ISO 8893, kW @ min ⁻¹ (rpm)	1.2/1.6 @ 7000	1.6/2.1 @ 7000	1.6/2.1 @ 7000
Catalytic converter muffler	No	No	No
Ignition system			
Spark plug	NGK BPMR7A	NGK BPMR7A	NGK BPMR7A
Electrode gap, mm	0.6-0.7	0.6-0.7	0.6-0.7
Fuel and lubrication system			
Fuel tank capacity, l	0.74	0.94	0.94

	531RS	541RS	541RST
Weight			
Without cutting attachment, cutting attachment guard, harness and with empty tanks, kg	7.2	7.4	7.6
Noise emissions ¹			
Sound power level, measured dB(A)	104	105	105
Sound power level, guaranteed L _{WA} dB(A)	109	109	109
Noise levels ²			
Equivalent sound pressure level at the operator's ear, measured according to EN ISO 11806 and ISO 22868, dB(A).			
Equipped with trimmer head (original)	90	94	94
Equipped with grass blade (original)	89	95	95
Vibration levels ³			
Equivalent vibration levels (a _{hv,eq}) at handles, measured according to EN ISO 11806 and ISO 22867, m/s ²			
Equipped with trimmer head (original), left/right	2.8/3.0	3.1/2.8	5.6/5.1
Equipped with grass blade (original), left/right	4.2/4.0	4.5/5.0	7.1/6.3

Accessories

Accessories

Approved accessories	Accessory type	Cutting attachment guard, art. no.
Grass blade/grass cutter	Multi 255-3 (Ø 255, 3 teeth)	584 40 42-01
	Multi 275-4 (Ø 275, 4 teeth)	584 40 42-01
	Multi 300-3 (Ø 300, 3 teeth)	584 40 42-01
	Multi 330-2 (Ø 330, 2 teeth)	584 40 42-01
Plastic blades	Tricut Ø 300 mm (Separate blades have part number 531 01 77-15)	584 40 42-01

¹ Noise emissions in the environment measured as sound power (L_{WA}) in conformity with EC directive 2000/14/EC. Reported sound power level for the machine has been measured with the original cutting attachment that gives the highest level. The difference between guaranteed and measured sound power is that the guaranteed sound power also includes dispersion in the measurement result and the variations between different machines of the same model according to Directive 2000/14/EC.

² Reported data for equivalent sound pressure level has a typical statistical dispersion (standard deviation) of 3 dB (A).

³ Reported data for vibration level has a typical statistical dispersion (standard deviation) of 1.5 m/s².

Approved accessories	Accessory type	Cutting attachment guard, art. no.
Trimmer head	T35, T35X (Ø 2.4-3.0 mm cord)	584 40 42-01
	S35 (Ø 2.4-3.0 mm cord)	584 40 42-01
	T45, T45x (Ø 2.7-3.3 mm cord)	584 40 42-01
	T55x (Ø 2.7-3.3 mm cord)	584 40 42-01
	S II	584 40 42-01
Support cup	Fixed	-

Declaration of Conformity

EC Declaration of Conformity

Issuer's name: Husqvarna AB, SE-561 82 Huskvarna, Sweden, tel: +46-36-146500.

Husqvarna AB claims sole responsibility for the object of this declaration: Trimmer and/or Brushcutter powered by petrol, platform(s) G34L and G43L representing model(s) **Husqvarna 531RS, 541RS and 541RST** from 2024 serial numbers and onwards. The platform number and model number are clearly stated in plain text on the type plate along with the year with subsequent serial numbers.

The object of the declaration described above is in conformity with the requirements of the Council's Directives:

- of May 17, 2006 "relating to machinery" **2006/42/EC**.
- of February 26, 2014 "relating to electromagnetic compatibility" **2014/30/EU**.
- of May 8, 2000 "relating to the noise emissions in the environment" **2000/14/EC**.
- of June 8, 2011 on the "restriction of use of certain hazardous substances" **2011/65/EU**.

Applied conformity assessment procedure in accordance with Directive 2000/14/EC, Annex V.

For information relating to noise emissions, refer to *Technical data on page 23*.

The following standards have been applied:

EN ISO 11806-1:2022, EN ISO 14982:2009, EN ISO 12100:2010, EN IEC 63000:2018

TÜV Rheinland LGA Products GmbH, Tillystrasse 2, D-90431 Nuernberg, Germany, 0197, has carried out a voluntary examination on behalf of Husqvarna AB, providing AM 50609261 (541RS, 541RST), AM 50609279 (531RS) - Certificate of Conformity to EC Council directive 2006/42/EC for machinery. This certificate is applicable to all manufacturing locations and Countries of Origin, as stated on the product. The supplied grass trimmer and/or brushcutter conforms to the example that underwent examination.

Husqvarna AB, Huskvarna, Sweden, 2024-01-15



Claes Losdal, R&D Manager, Husqvarna AB

Responsible for technical documentation



Contenido

Introducción.....	27	Transporte y almacenamiento.....	49
Seguridad.....	29	Datos técnicos.....	49
Montaje.....	35	Accesorios.....	50
Funcionamiento.....	39	Declaración de conformidad.....	52
Mantenimiento.....	44	Apéndice	208
Resolución de problemas.....	48		

Introducción

Descripción del producto

Este producto es una recortadora de césped/desbrozadora con motor de combustión.

Trabajamos constantemente para mejorar la seguridad y la eficiencia durante el uso del producto. Póngase en contacto con su distribuidor para obtener más información.

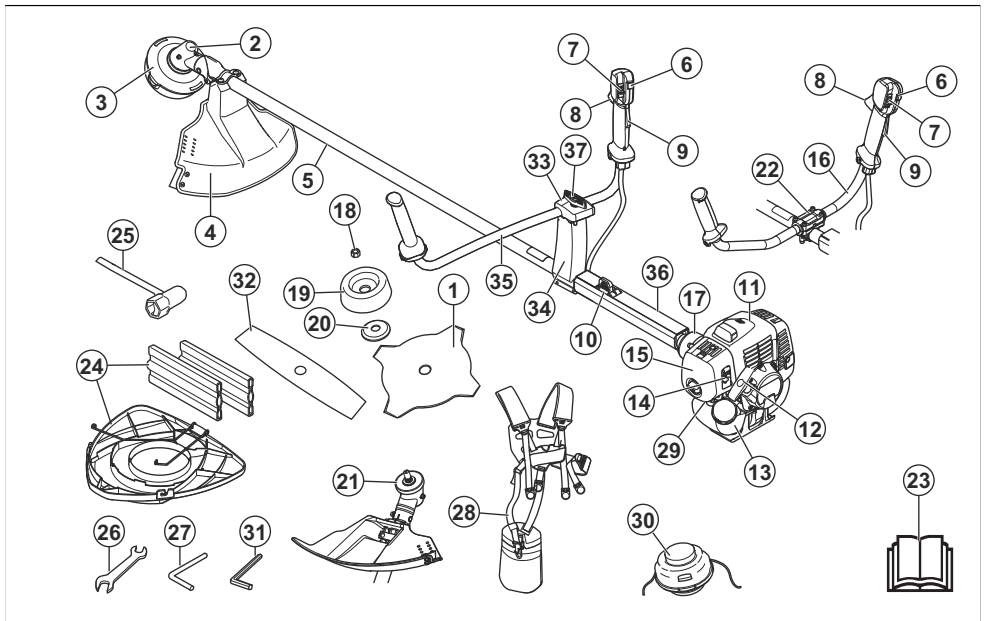
Uso previsto

El producto puede utilizarse con una hoja para hierba o un cabezal de corte para cortar distintos tipos de

vegetación. No utilice el producto para otras tareas diferentes a cortar o desbrozar hierba. Utilice una hoja para hierba o un cabezal de corte para cortar la hierba.

Nota: El uso podría estar regulado por los reglamentos nacionales o locales. Observe los reglamentos indicados.

Descripción del producto



- | | |
|----------------------------------------------------------------|-----------------------------------|
| 1. Cuchilla de 4 dientes (no disponible en todos los mercados) | 3. Engranaje angulado |
| 2. Recarga de lubricante, engranaje angulado | 4. Protección del equipo de corte |
| | 5. Tubo |

6. Botón de aceleración de arranque
7. Interruptor de parada
8. Acelerador
9. Bloqueo del acelerador
10. Argolla de suspensión
11. Cubierta del cilindro
12. Empuñadura de la cuerda de arranque
13. Depósito de combustible
14. Control del estrangulador
15. Tapa del filtro de aire
16. Manillar (531RS, 541RS)
17. Cubierta del embrague
18. Contratuerca
19. Cazoleta de apoyo
20. Brida de apoyo
21. Disco de arrastre
22. Abrazadera de fijación del manillar (531RS, 541RS)
23. Manual de usuario
24. Protección para transporte (no disponible en todos los mercados)
25. Llave de tubo
26. Llave fija
27. Pasador de bloqueo (para productos sin llave Allen)
28. Arnés
29. Perilla de la bomba de combustible
30. Cabezal de corte (no disponible en todos los mercados)
31. Llave Allen
32. Cuchilla de 2 dientes (no disponible en todos los mercados)
33. Tapa (541RST)
34. Soporte (541RST)
35. Manillar (541RST)
36. Manguito protector
37. Mando (541RST)



El producto puede provocar que salgan objetos despedidos, lo que puede causar lesiones.



Mantenga siempre a las personas y los animales a una distancia mínima de 15 m/50 pies durante el funcionamiento del producto.



Existe riesgo de reculada si el equipo de corte entra en contacto con un objeto que no pueda cortar inmediatamente. El producto puede amputar partes del cuerpo. Mantenga siempre a las personas y animales a una distancia mínima de 15 m/50 pies durante el funcionamiento del producto.



Las flechas muestran el límite de la posición del asa.



Estrangulador.



Perilla de la bomba de combustible.



Utilice guantes protectores homologados.



Utilice botas de trabajo antideslizantes



Las emisiones sonoras en el entorno son conformes con la directiva de la Comunidad Europea. Las emisiones del producto se especifican en *Datos técnicos en la página 49* y en la etiqueta.

aaaassxxxx

En la placa de características técnicas se indica el número de serie. **aaaa** es el año de producción y **ss** es la semana de producción.

Símbolos que aparecen en el producto



ADVERTENCIA: Este producto puede ser peligroso y ocasionar daños graves o mortales tanto al usuario como a cualquier otra persona. Tenga cuidado y utilice el producto correctamente.



Lea detenidamente el manual de usuario y asegúrese de que entiende las instrucciones antes de usar la máquina.



Utilice un casco protector si trabaja en un lugar donde puedan caerle objetos. Utilice protectores auriculares homologados y protección ocular homologada.



max rpm Velocidad máxima del eje de salida.

Nota: Los demás símbolos y etiquetas que aparecen en el producto corresponden a requisitos de homologación específicos en otras zonas comerciales.

Daños en el producto

No nos hacemos responsables de los daños que pueda sufrir el producto si:

- El producto se ha reparado incorrectamente.
- El producto se ha reparado con piezas que no eran del fabricante o no autorizadas por el fabricante.

- El producto tiene un accesorio que no es del fabricante o no está autorizado por este.
- El producto no se ha reparado en un centro de servicio autorizado o por un organismo homologado.

Seguridad

Definiciones de seguridad

Las definiciones siguientes indican el nivel de gravedad para cada palabra de señalización de riesgo.



ADVERTENCIA: Lesiones a personas.



PRECAUCIÓN: Daños en el producto.

Nota: Esta información hace que el producto sea más fácil de usar.

Instrucciones generales de seguridad



ADVERTENCIA: Lea las siguientes instrucciones de advertencia antes de utilizar el producto.

- Use el producto correctamente. Las lesiones o la muerte son un posible resultado de un uso incorrecto. Utilice el producto solo para las tareas indicadas en este manual. No utilice el producto para otras tareas.
- Respete las instrucciones de este manual. Respete los símbolos de seguridad y las instrucciones de seguridad. Si el operador no respeta las instrucciones y los símbolos, pueden producirse lesiones, daños materiales o la muerte.
- No se deshaga de este manual. Utilice las instrucciones para montar su producto, utilizarlo y mantenerlo en buen estado. Utilice las instrucciones para la correcta instalación de los complementos y accesorios. Utilice únicamente complementos y accesorios autorizados.
- No utilice un producto dañado. Respete el programa de mantenimiento. Realice solamente el trabajo de mantenimiento indicado en las instrucciones de este manual. Todos los demás trabajos de mantenimiento debe hacerlos un centro de servicio autorizado.
- Este manual no puede incluir todas las situaciones que pueden producirse cuando utilice el producto. Proceda con cuidado y utilice el sentido común. No utilice el producto ni realice el mantenimiento del producto si no está seguro de cuál es la situación. Hable con un experto en el producto, su distribuidor, un taller de servicio o centro de servicio autorizado para obtener información.
- Desconecte el cable de la bujía antes de montar el producto, almacenarlo o realizar tareas de mantenimiento.
- No utilice el producto si se ha modificado respecto de sus especificaciones iniciales. No cambie una parte del producto sin la autorización del fabricante. Utilice únicamente piezas recomendadas por el fabricante. Las lesiones o la muerte son un posible resultado de un mantenimiento incorrecto.
- No inhale los vapores del motor. La inhalación los gases de escape del motor durante un tiempo prolongado supone un riesgo para la salud.
- Nunca arranque el producto en interiores ni cerca de material inflamable. Los gases de escape están calientes y pueden contener una chispa que puede iniciar un incendio. Una circulación de aire insuficiente puede causar lesiones o la muerte por asfixia o inhalación de monóxido de carbono.
- Al utilizar este producto, el motor emite un campo electromagnético. El campo electromagnético puede provocar daños en implantes médicos. Consulte a su médico y al fabricante del implante médico antes de usar el producto.
- No deje que un niño maneje el producto. No permita que nadie maneje el producto sin conocer las instrucciones.
- Si una persona con discapacidad física o mental usa el producto, asegúrese de supervisarla en todo momento. Debe haber presente en todo momento una persona mayor de edad responsable.
- Cierre con llave el producto en un área a la que no puedan acceder las personas no autorizadas ni los niños.
- El producto puede proyectar objetos con fuerza y causar lesiones. Respete las instrucciones de seguridad para reducir el riesgo de lesiones o muerte.
- No deje desatendido el producto con el motor encendido.
- El operador del producto es el responsable si se produce un accidente.
- Asegúrese de que las piezas no estén dañadas antes de utilizar el producto.

- Asegúrese de que se encuentra a una distancia mínima de 15 m (50 pies) de otras personas o animales antes de utilizar el producto. Asegúrese de que las personas que pueda haber en el área circundante sepan que va a usar el producto.
- Consulte las leyes nacionales o locales. Pueden prohibir o limitar el funcionamiento del producto en circunstancias determinadas.
- No utilice el producto si está cansado o se encuentra bajo los efectos de alcohol, drogas o medicamentos. que pueden tener efectos sobre su visión, capacidad de reacción, coordinación o criterio.

- No utilice el producto si hay otra persona en la zona de trabajo. Detenga el producto si alguien entra en la zona de trabajo.
- Asegúrese de tener siempre el control del producto.
- No utilice el producto si no puede recibir ayuda en caso de accidente. Antes de comenzar a utilizar el producto, asegúrese siempre de que otros saben que va a empezar a usarlo.
- No se gire con el producto sin asegurarse primero de que no hay personas ni animales en la zona de seguridad.
- Retire todos los materiales no deseados de la zona de trabajo antes de empezar. Si el equipo de corte choca contra un objeto, el objeto puede salir despedido y provocar daños o lesiones. El material no deseado puede enrollarse en el equipo de corte y provocar daños.
- No utilice el producto en condiciones climáticas desfavorables (niebla, lluvia, viento fuerte, riesgo de rayos u otras condiciones climáticas peligrosas). Las condiciones climáticas desfavorables pueden provocar condiciones peligrosas (como superficies resbaladizas).
- Asegúrese de que puede moverse libremente y trabajar en una postura estable.

Instrucciones de seguridad para el montaje



ADVERTENCIA: Lea las siguientes instrucciones de advertencia antes de utilizar el producto.

- Utilice guantes protectores homologados cuando monte el producto y el equipo de corte.
- Retire el sombrerete de la bujía antes de montar el producto.
- Antes de utilizar el producto, asegúrese de que el manillar y la protección del equipo de corte montados son los correctos.
- Si la protección del equipo de corte está dañada o no es la correcta, puede causar lesiones. No utilice un equipo de corte si no está equipado con una protección homologada.
- Monte correctamente la cubierta del embrague y el tubo antes de poner en marcha el producto.
- El disco de arrastre y la brida de apoyo deben acoplarse correctamente en el orificio central del equipo de corte. Un equipo de corte mal acoplado puede provocar lesiones o la muerte.
- Fije el arnés al producto para evitar que el usuario u otras personas se lesionen.



- Asegúrese de que no corre riesgo de caerse mientras utiliza el producto. No se incline mientras utiliza el producto.
- Sujete siempre el producto con ambas manos. Mantenga el producto en el lado derecho del cuerpo.

Instrucciones de seguridad para el funcionamiento

- Asegúrese de que el producto esté completamente montado antes de utilizarlo.
- Antes de arrancar, aleje el producto 3 m (10 pies) del punto en el que llenó el depósito de combustible. Ponga el producto sobre una superficie plana. Asegúrese de que el equipo de corte no entre en contacto con el suelo u otros objetos.
- El producto puede causar proyección de objetos, lo que puede provocar daños en los ojos. Utilice siempre una protección ocular homologada cuando utilice el producto.
- Tenga cuidado: mientras está trabajando, un niño puede acercarse al producto sin que usted se dé cuenta.



- Utilice el producto con el equipo de corte por debajo de la cadera.
- Si el mando del estrangulador está en la posición de estrangulamiento cuando arranque el motor, el equipo de corte comienza a girar.
- No toque el engranaje angulado después de parar el motor. El engranaje angulado está caliente después

de parar el motor. Las zonas calientes pueden causar lesiones.

- Pare el motor antes de mover el producto.
- No deje el producto en el suelo con el motor encendido.
- Antes de retirar los materiales no deseados del producto, detenga el motor y espere hasta que el equipo de corte se detenga. Deje que el equipo de corte se detenga antes de que usted o un ayudante retire el material cortado.

Equipo de protección personal



ADVERTENCIA: Lea las siguientes instrucciones de advertencia antes de utilizar el producto.

- Utilice siempre el equipo de protección personal adecuado cuando utilice el producto. El equipo de protección personal no elimina el riesgo de lesiones. El equipo de protección personal reduce la gravedad de las lesiones en caso de accidente.
- Utilice siempre una protección ocular homologada mientras utiliza el producto.
- No utilice el producto con los pies descalzos o con calzado abierto. Utilice siempre botas de trabajo antideslizantes.
- Utilice pantalones largos gruesos.
- Si es necesario, utilice guantes protectores homologados.
- Utilice un casco si existe la posibilidad de caída de objetos sobre la cabeza.
- Utilice siempre protección auditiva homologada mientras utiliza el producto. La exposición al ruido durante un periodo de tiempo prolongado puede causar pérdida de audición.
- Asegúrese de que tiene cerca un botiquín de primeros auxilios.

Dispositivos de seguridad en el producto

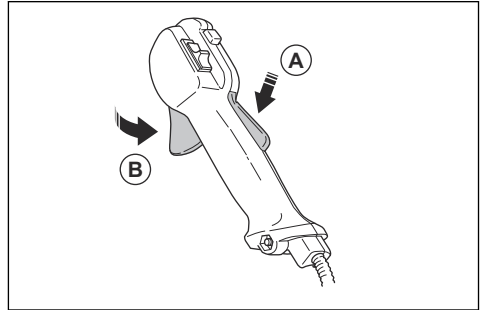
- Asegúrese de efectuar regularmente el mantenimiento del producto.
 - La vida útil del producto aumenta.
 - El riesgo de accidentes disminuye.

Deje que un concesionario autorizado o un centro de servicio autorizado examine regularmente el producto para realizar ajustes o reparaciones.

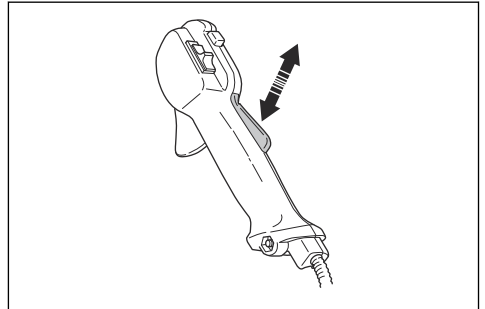
- No utilice un producto con equipo de protección dañado. Si el producto está dañado, hable con un centro de servicio autorizado.

Comprobación del bloqueo del acelerador

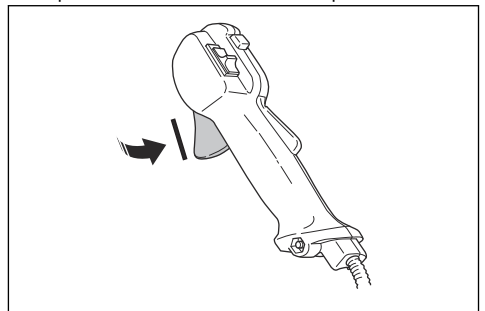
1. Compruebe que el bloqueo del acelerador (A) y el acelerador (B) se muevan con facilidad y que el muelle de retorno funcione correctamente.



2. Presione el bloqueo del acelerador y asegúrese de que vuelve a su posición inicial al soltarlo.



3. Asegúrese de que el acelerador está bloqueado en la posición de ralentí cuando el bloqueo se suelta.



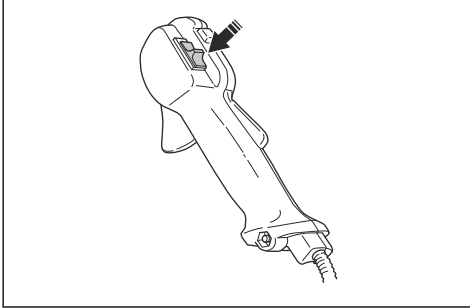
4. Ponga en marcha el producto y acelere al máximo.
5. Suelte el acelerador y asegúrese de que el equipo de corte se detiene y permanece inmóvil.



ADVERTENCIA: Si el equipo de corte se mueve con el acelerador en posición de ralentí, se debe regular el ralentí del carburador. Consulte la sección *Para ajustar el régimen de ralentí en la página 45.*

Comprobación del interruptor de parada

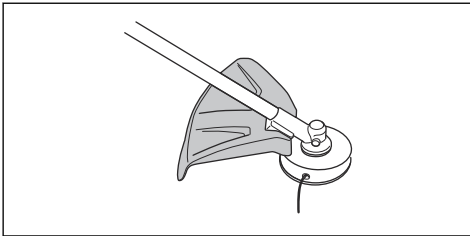
1. Arranque el motor.
2. Mueva el interruptor de parada a la posición de parada y asegúrese de que el motor se detiene.



Comprobación de la protección del equipo de corte

La protección del equipo de corte evita que los objetos salgan despedidos hacia el usuario. También evita daños al impedir el contacto con el equipo de corte.

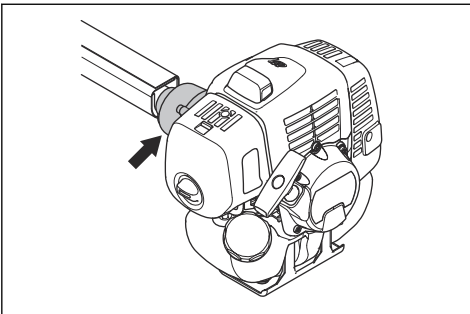
1. Pare el motor.
2. Compruebe visualmente si hay daños como, por ejemplo, grietas.



3. Si la protección del equipo de corte está dañada, cámbiela.

Comprobación del sistema amortiguador de vibraciones

El sistema amortiguador de vibraciones disminuye la vibración en el manillar, lo cual facilita el uso del producto.



1. Pare el motor.
2. Realice una comprobación visual para detectar deformaciones y daños como, por ejemplo, grietas.
3. Asegúrese de que los elementos del sistema amortiguador de vibraciones estén bien acoplados.

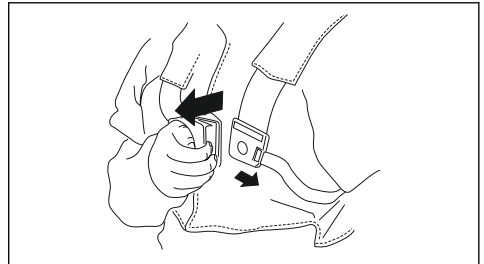
Comprobación del mecanismo de liberación rápida



ADVERTENCIA: No utilice un arnés con un mecanismo de liberación rápida que no funcione correctamente.

El mecanismo de liberación rápida permite al usuario soltar el producto del arnés rápidamente en caso de emergencia.

1. Pare el motor.
2. Compruebe visualmente si hay daños como, por ejemplo, grietas.
3. Suelte y acople el mecanismo de liberación rápida para asegurarse de que funciona correctamente.



Comprobación del silenciador



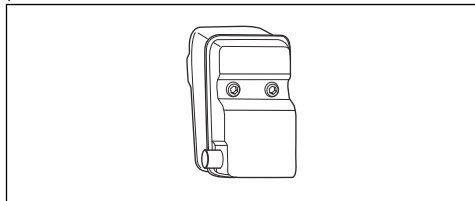
ADVERTENCIA: No utilice nunca un producto con un silenciador defectuoso.



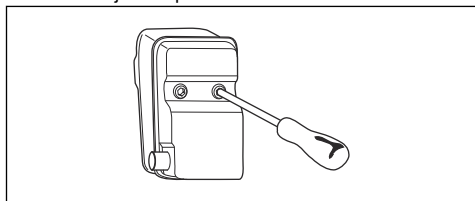
ADVERTENCIA: No olvide que los gases de escape del motor están calientes y pueden contener chispas que pueden provocar incendios. Por esa razón, nunca arranque el producto en interiores o cerca de material inflamable.

El silenciador mantiene al mínimo los niveles de ruido y aleja los gases de escape del usuario. Para el silenciador, es sumamente importante seguir las instrucciones de control, mantenimiento y servicio del producto.

protección de la hoja evite lesiones en las manos al hacerlo.



Compruebe regularmente que el silenciador está firmemente fijado al producto.



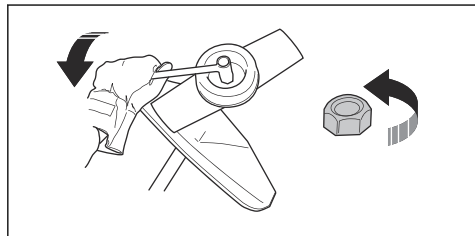
Montaje y extracción de la contratuerca



ADVERTENCIA: Pare el motor, utilice guantes protectores y tenga cuidado con los bordes afilados del equipo de corte.

Se usa una contratuerca para acoplar algunos tipos de equipo de corte. La contratuerca tiene rosca a izquierda.

- Para el montaje, apriete la contratuerca girándola en sentido contrario al sentido de rotación del equipo de corte.
- Para quitar la contratuerca, gírela en la misma dirección en la que gira el equipo de corte.
- Para aflojar y apretar la contratuerca, utilice una llave de cubo con un mango largo. La flecha de la ilustración muestra la zona donde puede utilizar la llave de cubo.



ADVERTENCIA: Al aflojar y apretar la contratuerca, hay riesgo de lesiones provocados por la cuchilla. Siempre debe asegurarse de que la

Nota: Asegúrese de que no pueda girar la contratuerca con la mano. Cambie la tuerca si el forro de nylon no tiene una resistencia de un mínimo de 1,5 Nm. La contratuerca debe sustituirse después de haberla apretado unas 10 veces.

Equipo de corte

Utilice y mantenga el equipo de corte para:

- Obtener un resultado de corte óptimo.
- Alargar la vida útil del equipo de corte.
- Siga las instrucciones de servicio, mantenimiento y comprobación del silenciador.
- Utilice siempre la protección recomendada para el equipo de corte. Consulte el apartado "Datos técnicos".



ADVERTENCIA: ¡Utilice solamente el equipo de corte con la protección recomendada por nosotros! Consulte el capítulo Datos técnicos. Lea las instrucciones del equipo de corte para montar correctamente el hilo de corte y elegir el diámetro de hilo correcto.



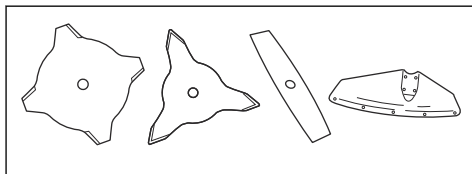
ADVERTENCIA: Un equipo de corte defectuoso puede aumentar el riesgo de accidentes.



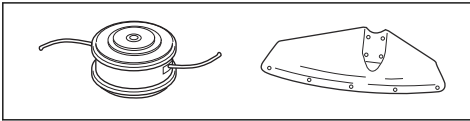
ADVERTENCIA: Pare siempre el motor antes de trabajar con alguna parte del equipo de corte. Éste continúa girando incluso después de haber soltado el acelerador. Asegúrese de que el equipo de corte se ha detenido completamente y desconecte el sombrerete de bujía antes de comenzar a trabajar.

Equipo de corte

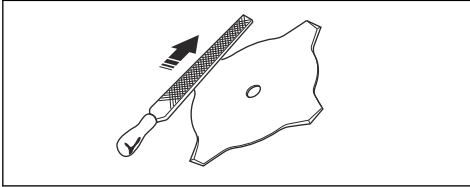
- Para cortar hierba gruesa, utilice las hojas y cuchillas para hierba.



- Utilice el cabezal de corte para cortar hierba normal.



- Una hoja mal afilada o dañada aumenta el peligro de accidentes. Mantenga los dientes de corte de la hoja afilados y en buen estado. Siga las instrucciones indicadas en *Mantenimiento en la página 44* y utilice el calibrador de afilado recomendado.

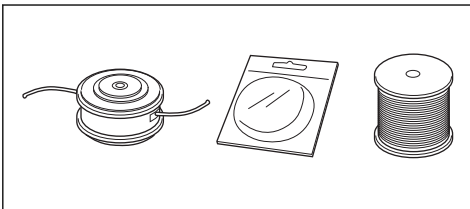


- Examine el equipo de corte para comprobar que no hay daños ni grietas. Sustituya el equipo de corte dañado.
- Utilice únicamente equipos de corte con las protecciones recomendadas. Consulte la sección *Accesorios en la página 50*.

Cabezal de corte



ADVERTENCIA: Asegúrese siempre de que el hilo de corte esté enrollado de forma firme y uniforme en el rodillo, para evitar vibraciones perjudiciales para la salud.



- Utilice únicamente los equipos de corte recomendados.
- La longitud del hilo de corte es importante. Con un hilo de corte más largo, se necesita más potencia del motor que con un hilo de corte más corto del mismo diámetro.
- No mueva la posición de instalación de la protección de la recortadora.
- Asegúrese de que la cuchilla que hay en la protección de la recortadora no esté dañada. La cortadora corta el hilo de corte a la longitud correcta.
- Ponga en agua el hilo de corte durante 2 días antes de usarlo para aumentar su vida útil.

Hojas y cuchillas para hierba

- Utilice el producto con una hoja para hierba aprobada. No utilice una hoja para hierba sin instalar correctamente todas las piezas necesarias. Asegúrese de que ha realizado la instalación correctamente y de que ha utilizado las piezas adecuadas. Una instalación inadecuada puede hacer que la hoja salga despedida y provoque lesiones graves al operario o a los transeúntes.
- Use guantes protectores cuando manipule la hoja o realice tareas de mantenimiento en ella.
- Utilice protección para la cabeza cuando opere un producto con una hoja de hierba.
- Las hojas y cuchillas para hierba están destinadas a desbrozar hierba más gruesa.
- Una hoja para hierba puede causar lesiones graves mientras sigue girando después de parar el motor o de soltar el gatillo del acelerador. Asegúrese de que la hoja de hierba ha dejado de girar antes de cualquier tipo de mantenimiento.
- Detenga el motor antes de trabajar en el equipo de corte. Asegúrese de que el equipo de corte se detiene completamente. Desconecte el cable de encendido de la bujía.
- Utilice solo un equipo de corte o una hoja correctamente afilados.
- Mantenga los dientes de corte de la hoja afilados y en buen estado.
- No utilice un equipo de corte dañado.
- Coloque la protección para transportes de la hoja de hierba cuando transporte o guarde el producto.

Lanzada de hoja

- Una lanzada de hoja es un movimiento repentino del producto hacia un lado, hacia delante o hacia atrás. Una lanzada de hoja se produce cuando la hoja para hierba golpea un objeto que no puede cortar. En áreas en las que no resulta fácil ver el material que se está cortando el riesgo de lanzadas de hoja aumenta.
- Cuando se produce una lanzada de hoja, hay riesgo de que el producto o el operario se desplace de su posición. Una hoja en movimiento pueden golpear a los transeúntes y existe el riesgo de accidentes.
- Si la hoja está doblada, tiene grietas, está rota o dañada, deséchela.
- Utilice una hoja afilada. El riesgo de lanzada de hoja aumenta cuando la hoja no está bien afilada.

Seguridad en el uso del combustible

- No arranque el producto si está manchado con combustible o aceite del motor. Retire el combustible/aceite no deseado y deje secar el producto. Retire el combustible no deseado del producto.
- Si derrama combustible sobre la ropa, cámbiese inmediatamente.

- Evite el contacto con el combustible; puede provocarle lesiones. Si entra en contacto con el combustible, utilice jabón y agua para eliminar el combustible.
- No arranque el motor si derrama aceite o combustible sobre el producto o sobre su cuerpo.
- No arranque el motor si el producto tiene una fuga. Examine frecuentemente si hay fugas en el motor.
- Tenga cuidado con el combustible. El combustible es inflamable, sus vapores son explosivos y puede provocar lesiones o la muerte.
- No inhale los vapores de combustible, ya que pueden causar lesiones. Asegúrese de que hay ventilación suficiente.
- No fume cerca del combustible o el motor.
- No coloque objetos calientes cerca del combustible o el motor.
- No agregue el combustible con el motor encendido.
- Asegúrese de que el motor esté frío antes repostar.
- Antes de repostar, abra la tapa del depósito de combustible lentamente y deje salir el exceso de presión con cuidado.
- No añada combustible al motor en interiores. Una circulación de aire insuficiente puede causar lesiones o la muerte por asfixia o inhalación de monóxido de carbono.
- Apriete la tapa del depósito de combustible con cuidado o puede producirse un incendio.
- Antes de arrancarlo, lleve el producto a 3 m (10 pies) de distancia como mínimo del punto en el que llenó el depósito.
- No ponga demasiado combustible en el depósito de combustible.
- Asegúrese de que no pueda producirse una fuga al mover el producto o recipiente de combustible.
- No coloque el producto o un recipiente de combustible cerca de una llama descubierta, chispa o llama piloto. Asegúrese de que la zona de almacenamiento no contiene una llama descubierta.
- Utilice únicamente recipientes homologados para transportar o almacenar el combustible.
- Vacíe el depósito de combustible antes de almacenarlo por un tiempo prolongado. Respete la legislación local sobre lugares aptos para desechar combustible.
- Limpie el producto antes de almacenarlo por un tiempo prolongado.
- Desconecte el cable de la bujía antes de almacenar el producto para asegurarse de que el motor no arranque accidentalmente.

Instrucciones de seguridad para el mantenimiento

- Si no puede ajustar el régimen de ralentí para que el equipo de corte se detenga, hable con su centro de servicio. No utilice el producto hasta que esté correctamente ajustado o reparado.

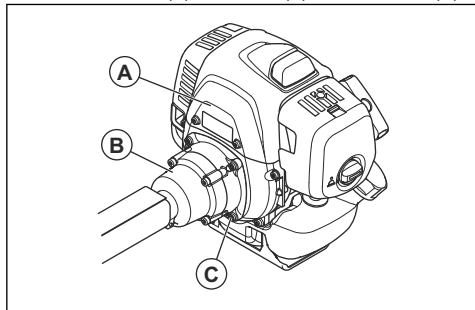
Montaje



ADVERTENCIA: Lea el capítulo de seguridad antes de montar el producto.

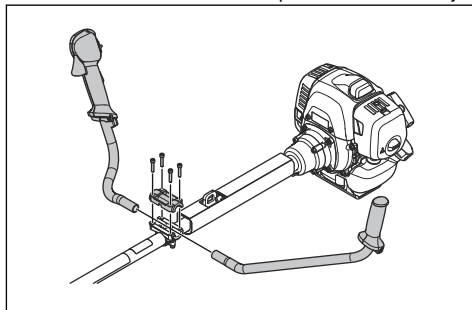
Ajuste de la carcasa del producto

- Monte el motor (A) en el tubo (B) con 4 tornillos (C).

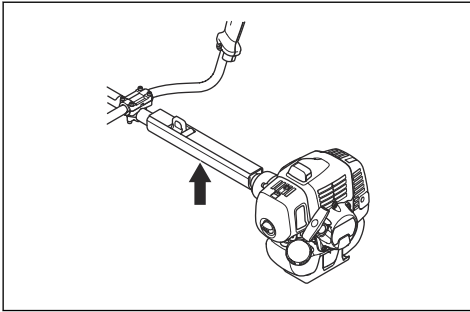


Instalación del manillar (531RS, 541RS)

1. Instale el manillar en la brida para el manillar del eje.

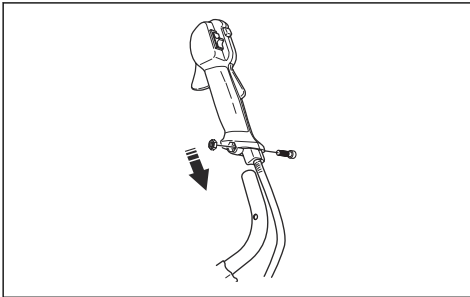


2. Instale el manguito protector.

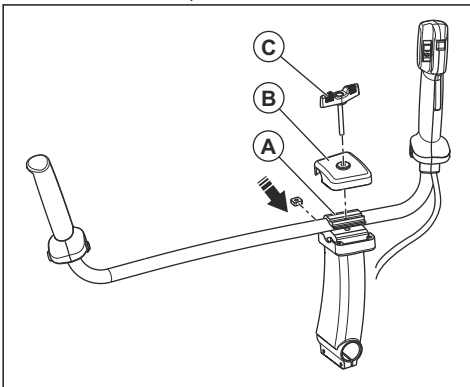


Instalación del manillar (541RST)

1. Retire el tornillo situado detrás del acelerador.



2. Instale el acelerador en el lado derecho del manillar.
3. Haga coincidir el orificio detrás del acelerador con el orificio del manillar.
4. Pase el tornillo por ambos orificios. Apriete el tornillo.
5. Coloque el conjunto del manillar y la tuerca cuadrada en el soporte. Asegúrese de que el manillar está en la posición correcta.



6. Instale la abrazadera de fijación del manillar (A), la cubierta (B) y la mariposa (C).
7. Alinee los orificios del tornillo de mariposa.

8. Gire el tornillo de mariposa para bloquear el manillar.

Instalación del arnés

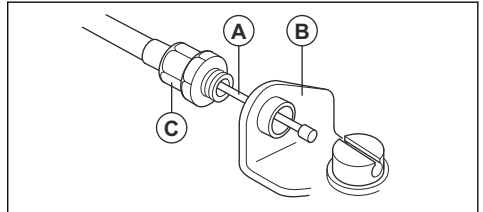
1. Póngase el arnés y cuelgue el producto del punto de suspensión.
2. Ajuste la empuñadura para situar el producto en una posición de trabajo óptima.



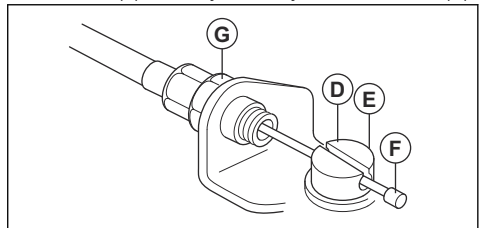
3. Apriete los tornillos completamente.

Conexión del cable del acelerador y los cables del interruptor de parada

1. Saque la cubierta del filtro de aire.
2. Instale el cable del acelerador (A) a través del soporte del carburador (B).

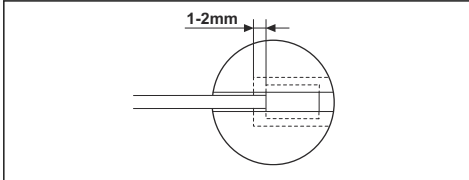


3. Gire el ajustador del cable (C) en el soporte del carburador por completo.
4. Coloque el racor con ranura (D) en el carburador. En este momento, el agujero embutido (E) del terminal del cable (F) está alejado del ajustador del cable (C).

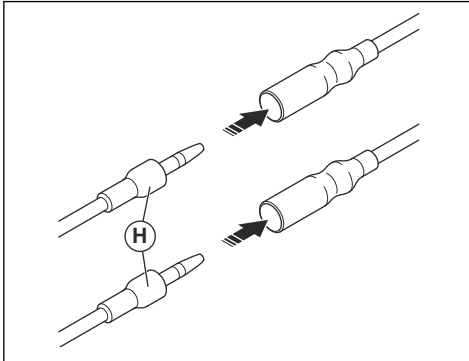


5. Gire la leva aceleradora del carburador y mueva el cable del acelerador (A) a través de la ranura del racor con ranura.
6. Asegúrese de que el terminal del cable (F) entra en el agujero embutido.

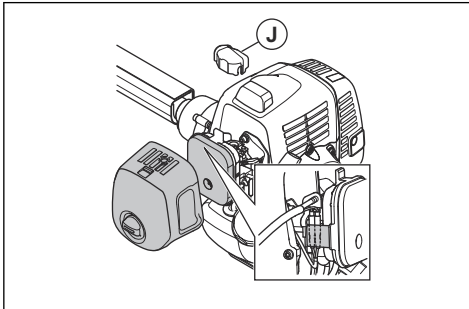
7. Accione el acelerador varias veces para asegurarse de que funciona correctamente.
8. Ajuste el ajustador del cable (C).
 - a) Asegúrese de que el tope de la leva aceleradora del carburador toca el tope del acelerador correctamente.
 - b) Asegúrese de que la posición del cable mantiene 1-2 mm entre el terminal del cable (F) y el racor con ranura cuando el acelerador está totalmente suelto.



9. Cuando el cable del acelerador (A) esté ajustado correctamente, apriete la contratuerca (G).
10. Conecte los cables del interruptor de parada (H) con los conectores del motor.



11. Instale la cubierta antipolvo (J).



12. Instale la cubierta del filtro de aire.

Instalación de cuchillas y cabezales de corte



ADVERTENCIA: Utilice únicamente la protección autorizada para las cuchillas. Consulte el apartado *Accesorios en la página 50*. Si la protección está dañada, se pueden producir lesiones.

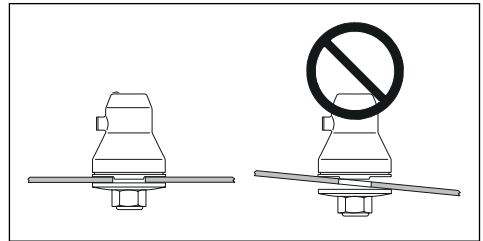


ADVERTENCIA: Si utiliza el producto con una cuchilla para césped, en primer lugar, instale el manillar, la protección de la hoja y el arnés adecuados.



ADVERTENCIA: Si no instala las cuchillas correctamente, se pueden producir lesiones.

1. Asegúrese de que la sección elevada del disco de arrastre/la brida de apoyo se acopla correctamente en el orificio central de las cuchillas.
2. Instale las cuchillas.

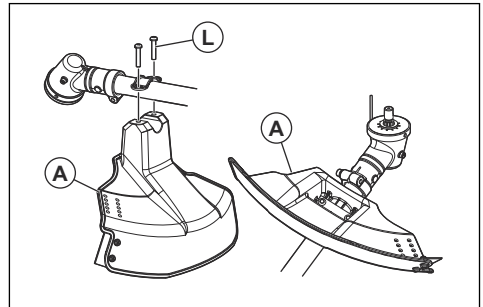


Instalación de la protección de la cuchilla y la cuchilla para césped

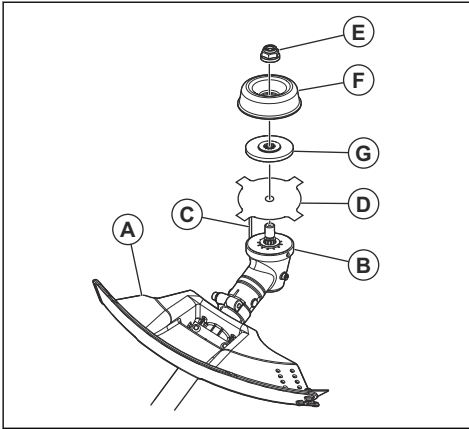


PRECAUCIÓN: Utilice únicamente la protección autorizada para las cuchillas. Consulte *Accesorios en la página 50*.

1. Fije la protección de la cuchilla o del accesorio de corte (A) en el tubo y apriete con los tornillos (L).



2. Instale el disco de arrastre (B) en el eje de salida.



3. Gire el eje de salida hasta que uno de los orificios del disco de arrastre coincida con el orificio correspondiente de la caja de engranajes.
4. Coloque el pasador de bloqueo o la llave allen (C) en el orificio para bloquear el eje.
5. Coloque la cuchilla (D), la brida de apoyo (G) y la cazoleta de apoyo (F) en el eje de salida.
6. Instale la tuerca (E). Sujete la llave allen cerca de la protección de la cuchilla. Para apretar la tuerca, debe girar la llave en el sentido contrario al de rotación. Apriete la tuerca a un par de 35-50 Nm/ 3,5-5 kpm.

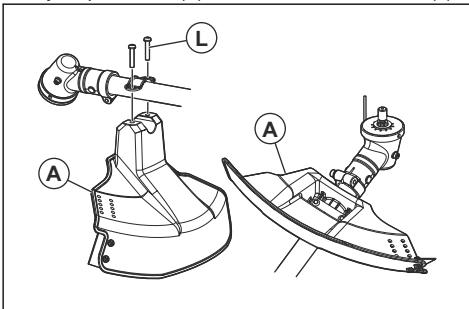
Nota: Rosca a izquierdas.

Montaje de la protección de la recortadora y el cabezal de corte

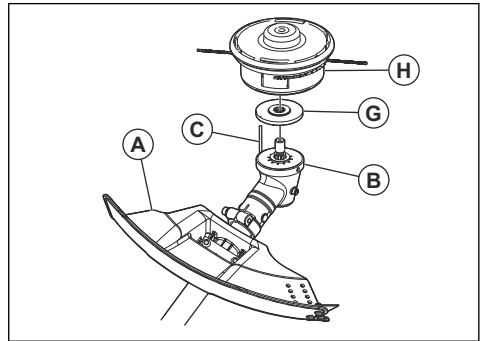


ADVERTENCIA: Utilice la protección de la recortadora adecuada para el cabezal de corte.

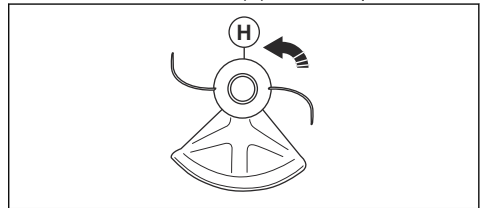
1. Fije la protección (A) en el tubo con los tornillos (L).



2. Fije el disco de arrastre (B) y la brida de apoyo (G) en el eje de salida.



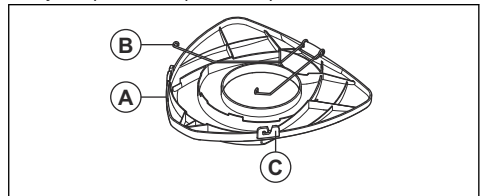
3. Gire el eje de salida hasta que el orificio del disco de arrastre coincida con el orificio de la caja de engranajes.
4. Coloque el pasador de bloqueo o la llave allen (C) en el orificio para bloquear el eje.
5. Gire el cabezal de corte (H) hacia la izquierda.



6. Para desmontar, realice el procedimiento a la inversa.

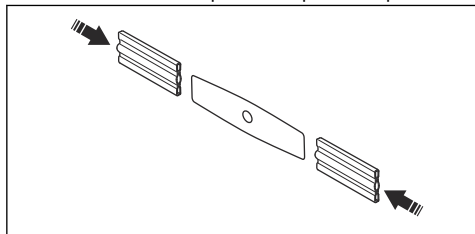
Instalación de la protección para transporte

1. Instale la hoja en la protección para transporte (A).
2. Ponga los dos anclajes (B) en las ranuras (C) para fijar la protección para transporte.



Instalación del disco de dos dientes en la protección

1. Instale el disco en la protección para transporte.



Ajuste del arnés



ADVERTENCIA: El producto siempre debe engancharse correctamente al arnés. No utilice un arnés dañado.

1. Colóquese el arnés.
2. Acople el producto al arnés.
3. Ajuste el arnés para obtener una postura de trabajo óptima.

4. Ajuste las correas laterales para distribuir uniformemente el peso del producto sobre los hombros.



5. Ajuste el arnés de manera que el equipo de corte quede paralelo al suelo.
6. Deje que el equipo de corte toque ligeramente el suelo. Ajuste la abrazadera del arnés para equilibrar el producto correctamente.

Nota: Si utiliza una cuchilla para césped, debe equilibrarse a, aproximadamente, 10 cm/4 pulg. por encima del suelo.

Funcionamiento



ADVERTENCIA: Asegúrese de leer y comprender el capítulo sobre seguridad antes de utilizar el producto.



PRECAUCIÓN: No use gasolina con plomo. Esto puede provocar daños en el producto.

Carburante

Para usar combustible



PRECAUCIÓN: Este producto tiene un motor de dos tiempos. Utilice una mezcla de gasolina y aceite de motor de dos tiempos. Asegúrese de que utiliza la cantidad correcta de aceite en la mezcla. Una mezcla de gasolina y aceite en proporción incorrecta puede causar daños en el motor.

- Utilice siempre gasolina sin plomo nueva con un octanaje mínimo de 90 RON (87 AKI) y con una concentración de etanol de menos de 10 % (E10).
- Utilice gasolina con un mayor octanaje si utiliza con frecuencia el producto a un régimen del motor alto de manera continua.
- Utilice siempre una mezcla de aceite y gasolina sin plomo de buena calidad.

Aceite de motor de dos tiempos

- Utilice únicamente aceite para motores de dos tiempos de alta calidad, especialmente aceite de dos tiempos HUSQVARNA. Utilice únicamente aceite para motores refrigerados por aire.
- Proporción de mezcla 50:1 (2 %).
- Un aceite de baja calidad y una mezcla de aceite/combustible demasiado rica pueden reducir la vida útil del catalizador.
- Consulte al distribuidor al seleccionar un aceite.
- Si no se dispone de aceite Husqvarna, puede utilizarse otro aceite de gran calidad para motores de dos tiempos refrigerados por aire. Consulte a su distribuidor al seleccionar un aceite.
- No utilice aceite para motores de dos tiempos para motores fueraborda refrigerados por agua. El aceite

Gasolina



PRECAUCIÓN: No utilice gasolina con un octanaje inferior a 90 octanos RON (87 AKI). Esto puede provocar daños en el producto.



PRECAUCIÓN: No utilice gasolina con una concentración de etanol de más del 10 % (E10). Esto puede provocar daños en el producto.

para motores de dos tiempos se denomina a veces "aceite para motores fueraborda".

Gasolina, litros	Aceite, litros
	2 % (50:1)
5	0, 1
10	0,2
15	0,3
20	0,4

Para hacer la mezcla de combustible

Nota: Utilice siempre un contenedor de combustible limpio cuando mezcle el combustible.

Nota: No prepare cantidad de mezcla de combustible para más de 30 días.

1. Añada la mitad de la cantidad de gasolina.
2. Añada la cantidad total de aceite.
3. Agite bien la mezcla de combustible para mezclar el contenido.
4. Agregue la cantidad restante de gasolina.
5. Agite bien la mezcla de combustible para mezclar el contenido.
6. Llene el depósito de combustible.

Para añadir combustible



ADVERTENCIA: No fume ni ponga objetos calientes cerca del combustible. Antes de añadir combustible, detenga el motor y deje que se enfríe durante varios minutos.



ADVERTENCIA: Cuando añada combustible, abra la tapa del depósito lentamente para liberar presión no deseada.



ADVERTENCIA: Después de añadir combustible, apriete con cuidado el tapón del depósito de combustible. Aleje la máquina del lugar de repostaje y de la fuente de alimentación antes de arrancar el motor.

- Utilice un recipiente de combustible con protección antirreboso.
- Asegúrese de que la zona cercana a la tapa del depósito de combustible está limpia. Los residuos en el depósito ocasionan problemas de funcionamiento.

- Sacuda el contenedor de combustible antes de agregar la mezcla de combustible al depósito de combustible.

Para arrancar y parar

Para examinar el producto antes de comenzar a trabajar

1. Examine el producto para asegurarse de que no faltan piezas, ni están dañadas, sueltas o desgastadas.
2. Inspeccione tuercas, tornillos y pernos.
3. Examine las hojas.
4. Examine la contratuerca. Asegúrese de que la contratuerca está apretada como mínimo a un par de 1,5 Nm (1,1 lb-pie). Apriete la contratuerca a 35-50 Nm (26-36 lb-pie).
5. Examine el filtro de aire.
6. Examine el bloqueo del gatillo del acelerador y el acelerador.
7. Examine el botón de parada.
8. Examine el producto por si hubiera fugas de combustible.

Arranque del motor en frío



ADVERTENCIA: Antes de arrancar el producto, instale la cubierta del embrague completa y el eje. Un embrague suelto puede provocar daños personales. Utilice guantes.



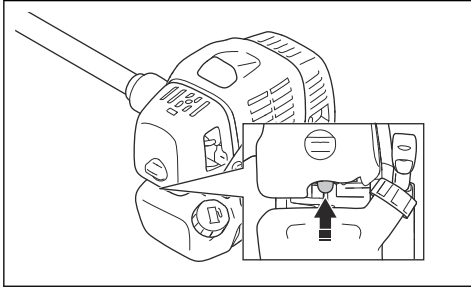
ADVERTENCIA: Aleje el producto del punto de repostaje y del combustible. Póngalo en una superficie plana. Asegúrese de que no haya objetos en contacto con el equipo de corte.



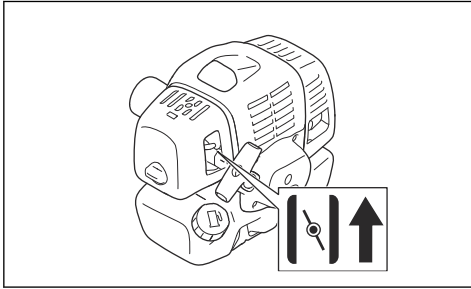
ADVERTENCIA: Asegúrese de que no haya personas no autorizadas en la zona de trabajo. En caso contrario, puede causar un riesgo de lesiones graves. La distancia de seguridad es de 15 metros.

1. Coloque el interruptor de parada en posición de arranque.

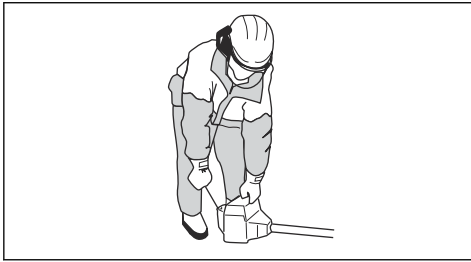
- Presione la perilla de la bomba de combustible hasta que la perilla se empiece a llenar de combustible.



- Ponga el estrangulador en la posición de estrangulamiento.



- Mantenga el producto en el suelo. Tire despacio de la cuerda de arranque con la mano derecha hasta sentir resistencia.



Nota: No se enrolle la cuerda de arranque alrededor de la mano.



PRECAUCIÓN: No tire a tope de la cuerda de arranque. Sujete la empuñadura de la cuerda de arranque cuando esté totalmente extendida. Si no se siguen estas instrucciones, se puede dañar el motor.

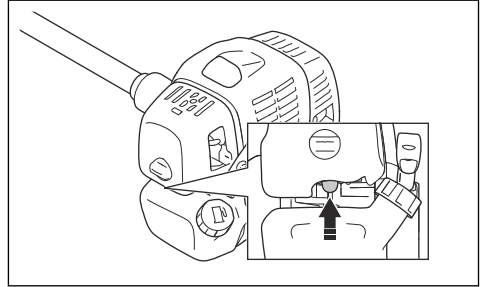
- Tire de la cuerda de arranque con fuerza y rapidez hasta que oiga que el motor arranca.
- Ajuste el estrangulador a la posición de funcionamiento.



ADVERTENCIA: No toque la cubierta. Se puede quemar la piel y provocar una sacudida eléctrica si el sombrero de bujía está dañado. No emplee nunca un producto con un sombrero de bujía defectuoso.

Arranque del motor en caliente

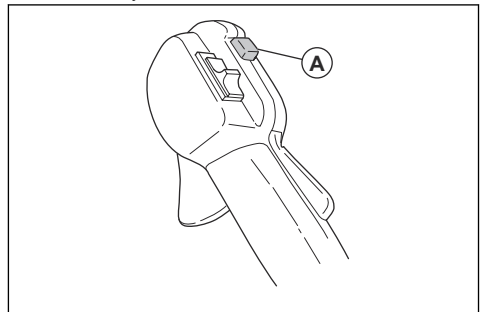
- Coloque el interruptor de parada en posición de arranque.
- Presione la perilla de la bomba de combustible hasta que la perilla se empiece a llenar de combustible.



- Ponga el control del estrangulador en la posición de funcionamiento y, a continuación, tire de la cuerda de arranque hasta que el motor arranque.

Arranque con un acelerador con fiador

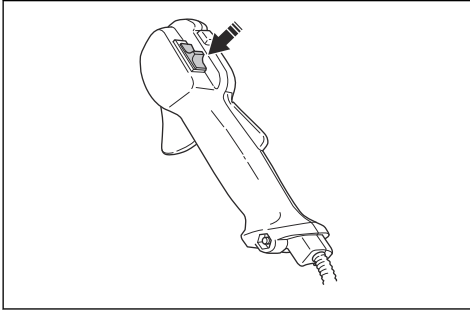
- Pulse el fiador del acelerador y el gatillo para ajustar el acelerador a la posición de arranque. A continuación, pulse el botón de aceleración de arranque (A).
- Suelte el fiador y el acelerador, y después el botón de aceleración de arranque. Ahora, está activada la función de aceleración de arranque.
- Para dejar el motor a ralentí, presione el fiador del acelerador y el acelerador de nuevo.



Para parar el motor

- Mueva el acelerador a la posición de ralentí.

- Sitúe el interruptor de parada en la posición de parada.



Para manejar la recortadora de césped



PRECAUCIÓN: Asegúrese de que reduce la velocidad del motor al ralenti después de cada operación. Un largo periodo a aceleración máxima sin carga en el motor puede provocar daños en el motor.

Nota: Limpie la cubierta del cabezal de corte cuando fije un nuevo hilo de corte a la recortadora para evitar vibraciones. Examine las demás piezas del cabezal de corte y límpielas si es necesario.

Instrucciones generales durante el trabajo



ADVERTENCIA: Tenga cuidado al cortar un árbol en tensión. Puede regresar de forma brusca a su posición normal antes o después de cortarlo y golpearle a usted o al producto, con el consiguiente riesgo de lesiones que esto supone.

- Despeje un espacio abierto en uno de los extremos del lugar de trabajo y empiece a trabajar desde ahí.
- Trace un patrón regular al desplazarse por el lugar de trabajo.



- Mueva el producto totalmente a la derecha y a la izquierda para despejar una superficie de 4-5 m (13-16 pies) de anchura en cada pasada.

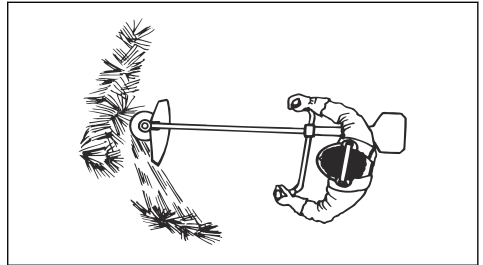
- Despeje una longitud de 75 m (250 pies) antes de girar y regresar. Mueva la lata de combustible a medida que avance con el trabajo.
- Desplácese en una dirección que evite en la medida de lo posible zanjas y obstáculos.
- Desplácese en una dirección en la que el viento facilite que la vegetación cortada caiga sobre el área despejada.



- Desplácese a lo largo de la pendiente, no hacia arriba y hacia abajo.

Para desbrozar hierba con una hoja para hierba

- Mantenga los pies separados durante el manejo del producto. Asegúrese de que los pies estén firmemente apoyados en el suelo.
- Apoye ligeramente la cazoleta de apoyo en el suelo. Esto evita que la hoja toque el suelo.
- Utilice un movimiento lateral de derecha a izquierda para un corte limpio. Utilice la parte izquierda del disco (entre las 8 y las 12 del reloj) para cortar.



- Incline el disco hacia la izquierda cuando desbroce hierba.

Nota: La hierba se deposita con facilidad en una hilera.

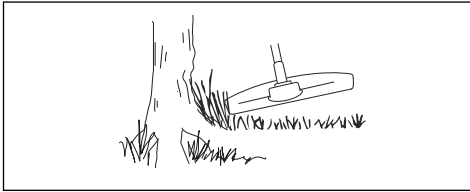
- Utilice un movimiento lateral de izquierda a derecha para el movimiento de retorno.
- Mantenga un ritmo constante durante el trabajo.
- Muévase hacia delante y mantenga los pies firmemente apoyados en el suelo.
- Pare el motor.

9. Suelte el producto del clip del arnés.

10. Coloque el producto en el suelo.

11. Recoja el material cortado.

Para limpiar

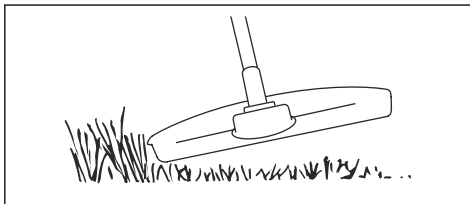


Para obtener los mejores resultados:

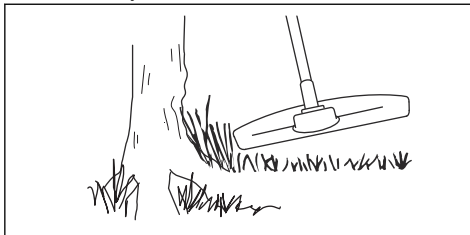
- Mantenga la recortadora de modo que el cabezal de corte esté justo por encima del suelo.
- Inclíne ligeramente el cabezal de corte.
- Deje que la punta del hilo de corte golpee el suelo alrededor de los objetos.

Para recortar la hierba

1. Mantenga el cabezal de corte inclinado justo por encima del suelo. No empuje el hilo de corte contra la hierba.

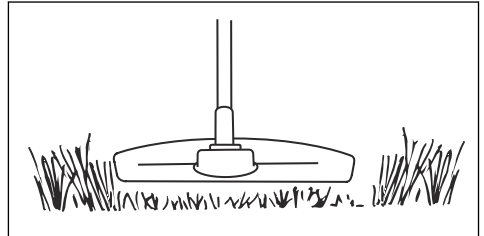


2. Reduzca la longitud del hilo de corte en 10-12 cm / 4-4,75 pulg.
3. Reduzca el régimen del motor para disminuir el riesgo de daños a las plantas.
4. Utilice un 80 % de aceleración para cortar hierba cerca de objetos.

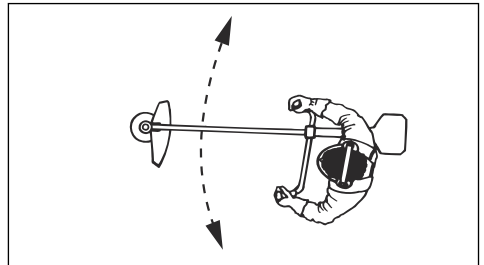


Para cortar la hierba

1. Asegúrese de que el hilo de corte esté paralelo al suelo cuando corte.



2. No empuje el cabezal de corte contra el suelo. El suelo y el producto pueden resultar dañados.
3. No deje que el cabezal de corte toque el suelo continuamente; puede dañarse el cabezal de corte.
4. Utilice la aceleración máxima cuando mueva el producto de lado a lado para cortar hierba.



Barrer la hierba

El flujo de aire que genera el hilo de corte al girar puede usarse para retirar la hierba cortada de una zona.

1. Mantenga el cabezal de corte y el hilo de corte paralelos al suelo sin llegar a tocarlo.
2. Acelere al máximo.
3. Mueva el cabezal de corte de lado a lado para barrer la hierba.



ADVERTENCIA: Limpie la cubierta del cabezal de corte cada vez que coloque hilo de corte nuevo para evitar que las empuñaduras pierdan equilibrio y generen vibraciones. Revise también el resto de componentes del cabezal de corte y límpielos si es necesario.

Sustitución del hilo de corte

Consulte la última página de este manual de usuario.

Mantenimiento



ADVERTENCIA: Asegúrese de leer y comprender el capítulo sobre seguridad

antes de limpiar, reparar o realizar tareas de mantenimiento en el producto.

Programa de mantenimiento

Mantenimiento	Diario	Semanal	Mensualmente
Limpie la superficie externa.	X		
Examine el arnés en busca de daños.	X		
Realice una comprobación del acelerador y del gatillo del acelerador.	X		
Asegúrese de que el equipo de corte no gire a ralentí.	X		
Compruebe el interruptor de parada. Consulte <i>Comprobación del interruptor de parada en la página 32.</i>	X		
Examine la protección del equipo de corte en busca de daños o grietas.	X		
Asegúrese de que la cuchilla para césped está alineada con el centro. Asegúrese de que la cuchilla para césped está afilada y de que ni la cuchilla ni su orificio central están dañados.	X		
Inspeccione el cabezal de corte para comprobar si presenta daños y grietas. Sustituir si es necesario.	X		
Examine el asa cerrada y el asa alargada para comprobar si presentan daños y asegúrese de que estén bien montadas.	X		
En equipos de corte con cazoleta de apoyo, apriete el tornillo de fijación correctamente.	X		
En equipos de corte con contratuerca, apriete la contratuerca correctamente.	X		
Examine la protección para transporte para comprobar si presenta daños y asegúrese de que puede montarse correctamente.	X		
Examine el motor, el depósito de combustible y los conductos de combustible para detectar posibles fugas.	X		
Limpie el filtro de aire. Proceda a la sustitución si es necesario.	X		
Apriete las tuercas y los tornillos.	X		
Examine el filtro de combustible para comprobar si está sucio y la manguera de combustible para ver si presenta grietas u otros defectos. Proceda a la sustitución si es necesario.	X		
Examine todos los cables y conexiones.	X		
Examine el mecanismo de arranque y la cuerda de arranque en busca de daños.		X	
Examine la bujía. Consulte <i>Mantenimiento de la bujía en la página 47.</i>		X	
Asegúrese de que tres cuartas partes del engranaje cónico están cubiertas con grasa.		X	
Limpie el exterior del carburador y la zona alrededor del mismo.		X	

Mantenimiento	Diario	Semanal	Mensualmente
Limpie la bujía. Extraiga la bujía y compruebe la distancia entre los electrodos. Ajuste la distancia entre los electrodos o sustituya la bujía si es necesario. Consulte <i>Datos técnicos en la página 49</i> . Asegúrese de que la bujía está equipada con supresor.		X	
Inspeccione si están desgastados el embrague, los muelles de embrague y el tambor de embrague. Proceda a la sustitución si es necesario.			X
Sustituya la bujía. Asegúrese de que la bujía está equipada con supresor.			X
Lubrique el eje propulsor.			X
Compruebe que los amortiguadores de vibraciones no están dañados.		X	
Limpie el sistema de refrigeración del producto.		X	
Limpie el silenciador.			X

Ajuste del carburador

El reglaje básico del carburador se lleva a cabo en las pruebas que se hacen en fábrica. El reglaje debe ser realizado por un técnico especializado.

Comprobación del silenciador



ADVERTENCIA: Nunca utilice un producto con un silenciador dañado. Sustituya siempre el silenciador si está dañado.



ADVERTENCIA: Riesgo de quemaduras o incendio. Los silenciadores con catalizadores se calientan mucho cuando están en funcionamiento.



ADVERTENCIA: Riesgo de incendio. El silenciador reduce el nivel de ruido y aleja los gases de escape del usuario. Los gases de escape están calientes y pueden contener chispas.



PRECAUCIÓN: Si el apagachispas sufre desperfectos, cámbielo. No utilice un producto sin el apagachispas del silenciador o con uno que esté dañado.



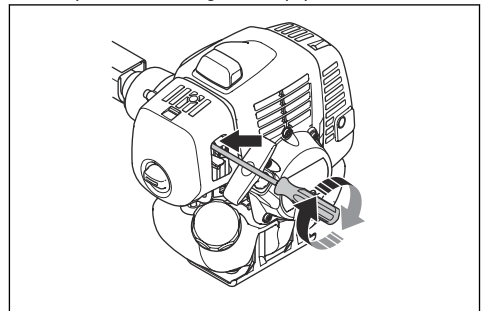
PRECAUCIÓN: Si el apagachispas está obstruido, el producto se sobrecalentará y se producirán daños en el cilindro y el pistón.

1. Asegúrese de que el silenciador no esté dañado.
2. Compruebe que el silenciador esté firmemente montado en el producto.

Para ajustar el régimen de ralentí

Su producto Husqvarna está fabricado conforme a especificaciones que disminuyen las emisiones de gases de escape tóxicos.

1. Asegúrese de que el filtro de aire está limpio y la cubierta del filtro de aire está conectada antes de ajustar el régimen de ralentí.
2. Ajuste el ralentí con el tornillo de ralentí marcado con una "T".
 - a) Gire el tornillo de ralentí T hacia la derecha hasta que comience a girar el equipo de corte.



- b) Gire el tornillo de ralentí hacia la izquierda hasta que el equipo de corte se detenga y el ruido del embrague disminuya.



ADVERTENCIA: Si el equipo de corte no se detiene al ajustar el régimen de ralentí, acuda a su distribuidor más cercano. No utilice el producto hasta que no esté regulado o reparado correctamente.

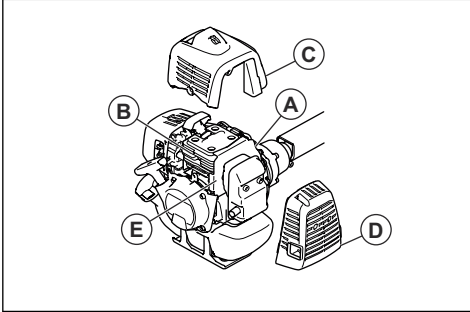
3. El régimen de ralentí es correcto cuando el motor funciona con suavidad en todas las posiciones. El régimen de ralentí debe ser inferior a la velocidad a la que el equipo de corte comienza a girar.

Nota: Consulte *Datos técnicos en la página 49* para obtener información sobre el régimen de ralentí recomendado.

Sistema refrigerante

El producto dispone de un sistema refrigerante para mantener baja la temperatura de funcionamiento.

El sistema de refrigeración incluye lo siguiente:



- Palas de ventilador en el volante (A)
- Aletas de refrigeración en el cilindro (B)
- Cubierta del cilindro (C) (dirige aire frío hacia el cilindro)
- Cubierta del silenciador (D)
- Placa del silenciador (E)

Para limpiar el sistema de refrigeración

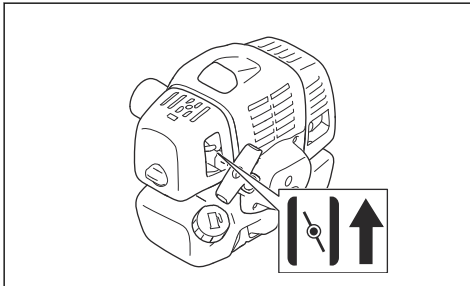


ADVERTENCIA: Un sistema refrigerante sucio u obstruido provoca sobrecalentamiento. Esto provoca daños en el pistón y en el cilindro.

1. Limpie las piezas del sistema refrigerante con un cepillo una vez a la semana como mínimo.

Filtro de aire

- Limpie el filtro a intervalos de 25 horas. Limpie con más frecuencia si es necesario.
- Ponga el estrangulador en la posición de estrangulamiento.



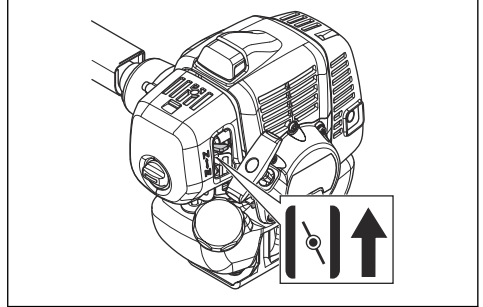
Limpieza del filtro de aire



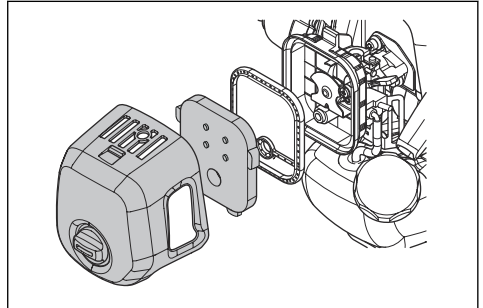
PRECAUCIÓN: Sustituya siempre el filtro de aire si está dañado, sucio o mojado con combustible.

Si se utiliza un filtro de aire durante mucho tiempo, no podrá limpiarse por completo. Sustituya el filtro de aire con uno nuevo a intervalos regulares.

1. Cierre la válvula estranguladora.



2. Retire la cubierta del filtro de aire.



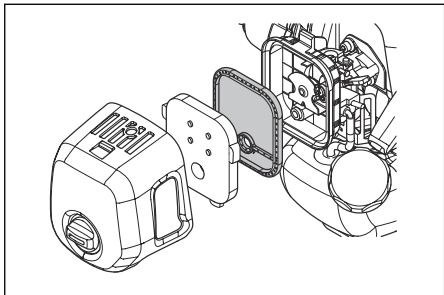
3. Retire el filtro de aire.
4. Limpie el filtro de aire con agua jabonosa tibia.
5. Sustituya el filtro de aire si está demasiado sucio para poder limpiarlo completamente. Sustituya siempre el filtro de aire si está dañado.
6. Limpie la superficie interior de la cubierta del filtro de aire. Utilice aire o un cepillo.
7. Asegúrese de que el filtro de aire esté seco antes de instalarlo.

Filtro de fieltro

- Golpee el filtro de fieltro con cuidado contra la mano o utilice aire comprimido para limpiarlo.



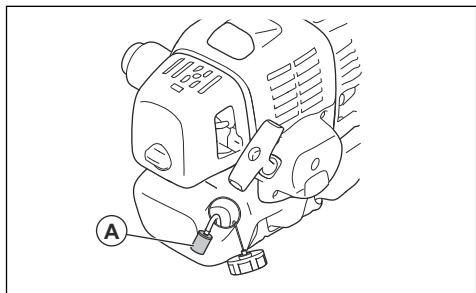
PRECAUCIÓN: No utilice agua para limpiar el filtro de fieltro. El agua puede dañar el filtro de fieltro.



bujía incorrecto puede causar averías en el producto.

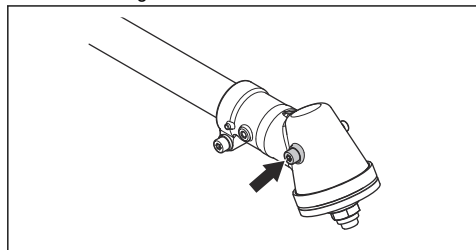
Filtro de combustible

Cuando el motor se quede sin suministro de combustible, asegúrese de que el tapón del depósito de combustible y el filtro de combustible (A) no estén obstruidos.



Para engrasar el engranaje angulado

- Asegúrese de que $\frac{3}{4}$ del engranaje angulado estén llenas de la grasa adecuada.

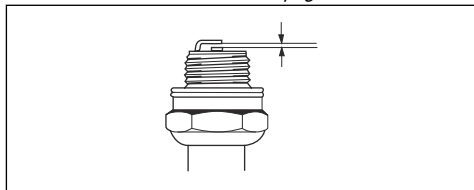


Mantenimiento de la bujía



PRECAUCIÓN: Utilice siempre el tipo de bujía recomendado. El uso de un tipo de

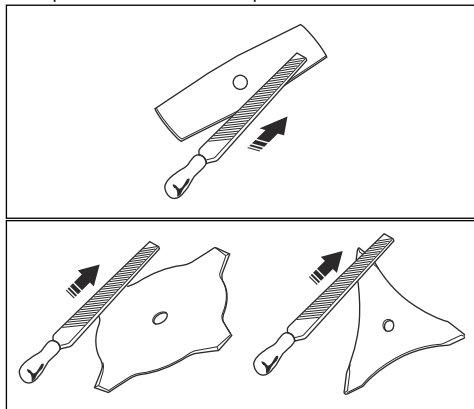
- Examine la bujía si el motor tiene poca potencia, no es fácil de arrancar o no funciona correctamente al régimen de ralentí.
- Para reducir la suciedad en los electrodos de la bujía, siga estas instrucciones:
 - a) Asegúrese de que el régimen de ralentí está bien ajustado.
 - b) Asegúrese de que la mezcla de combustible sea correcta.
 - c) Asegúrese de que el filtro de aire esté limpio.
- Si la bujía está sucia, límpiela y asegúrese de que la distancia entre los electrodos sea la correcta, consulte *Datos técnicos en la página 49*.



- Sustituya la bujía si fuese necesario.

Para afilar cuchillas de hierba y hojas para hierba

- Afíle todos los bordes de las cuchillas de hierba y hojas para hierba por igual para mantener el equilibrio. Utilice una lima plana con dentado recto.



Resolución de problemas

DetECCIÓN DE AVERÍAS

Fallo de arranque		
Comprobar	Causa posible	Solución
Botón de parada	Posición de parada	Coloque el mando de detención en posición de arranque.
Ganchos de arranque	Ganchos de unión.	Ajuste o sustituya los ganchos.
		Limpie alrededor de los ganchos.
		Acuda a un centro de servicio autorizado.
Depósito de combustible	Tipo de combustible incorrecto.	Vaciado y utilice el combustible adecuado.
Carburador	Reglaje del régimen de ralentí	El ralentí se regula con el tornillo en T.
Chispa (no hay chispa)	Bujía sucia o húmeda.	Asegúrese de que la bujía de encendido está seca y limpia.
	Separación de electrodos de la bujía incorrecta.	Limpie la bujía. Compruebe que la separación entre los electrodos es la correcta. Asegúrese de que la bujía está equipada con supresor.
		Consulte los Datos técnicos para Distancia entre los electrodos correcta.
Bujía	Bujía floja.	Apriete la bujía.
Filtro de combustible	Filtro de combustible obstruido.	Sustituya el filtro de combustible.

El motor arranca pero se vuelve a parar		
Comprobar	Causa posible	Solución
Depósito de combustible	Tipo de combustible incorrecto.	Vaciado y utilice el combustible adecuado.
Carburador	El motor no funciona correctamente al ralentí.	Acuda a su distribuidor.
Filtro de aire	Filtro de aire obstruido.	Limpie el filtro de aire.

El motor arranca pero se vuelve a parar		
Comprobar	Causa posible	Solución
Filtro de combustible	Filtro de combustible obstruido.	Sustituya el filtro de combustible.

Transporte y almacenamiento

- Proteja el equipo durante el transporte para evitar daños y accidentes.
- Guarde el producto y el equipo en un lugar seco y resistente a las heladas.
- Limpie el producto.
- Sustituya o repare los componentes dañados.
- Utilice una cubierta protectora correcta sobre el producto que no retenga la humedad.
- Mantenga el producto fijado firmemente durante el transporte.

Datos técnicos

Datos técnicos

	531RS	541RS	541RST
Motor			
Cilindrada, cm ³	33,6	41,5	41,5
Diámetro del cilindro, Ø mm	36	40	40
Carrera del cilindro, mm	33	33	33
Régimen de ralentí, min ⁻¹ (rpm)	2500±200	2500±200	2500±200
Régimen máximo recomendado, min ⁻¹ (rpm)	12000	12000	12000
Velocidad en el eje de salida, min ⁻¹ (rpm)	8570	8570	8570
Potencia máxima del motor según ISO 8893, kW a min ⁻¹ (rpm)	1,2/1,6 a 7000	1,6/2,1 a 7000	1,6/2,1 a 7000
Silenciador con catalizador	No	No	No
Sistema de encendido			
Bujía	NGK BPMR7A	NGK BPMR7A	NGK BPMR7A
Distancia entre los electrodos, mm	0,6-0,7	0,6-0,7	0,6-0,7
Sistema de combustible y lubricación			
Capacidad del depósito de combustible, l	0,74	0,94	0,94
Peso			
Sin equipo de corte, arnés, protección del equipo de corte y con depósitos vacíos, kg	7,2	7,4	7,6

	531RS	541RS	541RST
Emisiones de ruido ⁴			
Nivel de potencia acústica medida, dB(A)	104	105	105
Nivel de potencia acústica garantizado L _{WA} dB(A)	109	109	109
Niveles de ruido ⁵			
Nivel de presión sonora equivalente en el oído del usuario, medido conforme a EN ISO 11806 e ISO 22868, dB(A).			
Equipada con cabezal de corte (original)	90	94	94
Equipada con cuchilla para césped (original)	89	95	95
Niveles de vibración ⁶			
Niveles de vibración equivalentes (a _{hv,eq}) en las asas, medidos según la norma EN ISO 11806 e ISO 22867, m/s ²			
Equipada con cabezal de corte (original), izquierda/derecha	2,8/3,0	3,1/2,8	5,6/5,1
Equipada con cuchilla para césped (original), izquierda/derecha	4,2/4,0	4,5/5,0	7,1/6,3

Accesorios

Accesorios

Accesorios homologados	Tipo de accesorio	Protección del equipo de corte, referencia
Cuchilla para césped/hoja para hierba	Multi 255-3 (Ø 255, 3 dientes)	584 40 42-01
	Multi 275-4 (Ø 275, 4 dientes)	584 40 42-01
	Multi 300-3 (Ø 300, 3 dientes)	584 40 42-01
	Multi 330-2 (Ø 330, 2 dientes)	584 40 42-01
Cuchillas de plástico	Tricut Ø 300 mm (las cuchillas sueltas tienen la referencia 531 01 77-15)	584 40 42-01

⁴ Emisiones sonoras en el entorno medidas como potencia acústica (L_{WA}) según la directiva 2000/14/CE. El nivel referido de potencia sonora de la máquina se ha medido con el accesorio de corte original que produce el nivel más elevado. La diferencia entre la potencia acústica garantizada y la medida es que la potencia acústica garantizada también incluye en el resultado de la medición la dispersión y las variaciones entre diferentes máquinas del mismo modelo, conforme a la directiva 2000/14/CE.

⁵ Los datos referidos del nivel de presión sonora equivalente tienen una dispersión estadística típica (desviación típica) de 3 dB(A).

⁶ Los datos referidos del nivel de vibración poseen una dispersión estadística típica (desviación típica) de 1,5 m/s².

Accesorios homologados	Tipo de accesorio	Protección del equipo de corte, referencia
Cabezal de corte	T35, T35X (hilo de Ø 2,4-3,0 mm)	584 40 42-01
	S35 (hilo de Ø 2,4-3,0 mm)	584 40 42-01
	T45, T45x (hilo de Ø 2,7-3,3 mm)	584 40 42-01
	T55x (hilo de Ø 2,7-3,3 mm)	584 40 42-01
	S II	584 40 42-01
Cazoleta de apoyo	Fija	-

Declaración de conformidad

Declaración de conformidad CE



Nombre del emisor: Husqvarna AB, SE-561 82
Husqvarna (Suecia), tel.: +46 36 146500.

Husqvarna AB declara la responsabilidad exclusiva sobre el objeto de esta declaración: Plataformas de recortadora de césped o desbrozadora que funcionan a gasolina G34L y G43L, que representan los modelos **Husqvarna 531RS, 541RS y 541RST**, a partir de los números de serie de 2024. El número de plataforma y el número de modelo se indican claramente en texto sin formato en la placa de características técnicas junto con el año, seguido del número de serie.

El objeto de la declaración, anteriormente mencionado, cumple con los requisitos de las Directivas del Consejo:

- Del 17 de mayo de 2006 "relativa a máquinas", **2006/42/CE.**
- Del 26 de febrero de 2014 "relativa a compatibilidad electromagnética", **2014/30/UE.**
- Del 8 de mayo de 2000 "relativa a emisiones sonoras en el entorno", **2000/14/CE.**
- Del 8 junio de 2011 sobre la "restricción de utilización de determinadas sustancias peligrosas" **2011/65/UE.**

Procedimiento de evaluación de la conformidad aplicado de conformidad con el anexo V de la Directiva 2000/14/CE.

Para obtener información respecto a las emisiones sonoras, consulte *Datos técnicos en la página 49.*

Se han aplicado las normas siguientes:

EN ISO 11806-1:2022, EN ISO 14982:2009, EN ISO 12100:2010, EN IEC 63000:2018

TÜV Rheinland LGA Products GmbH, Tillystrasse 2, D-90431 Núremberg (Alemania), 0197, ha efectuado un examen de tipo voluntario para Husqvarna AB y emite el certificado de conformidad con la directiva del Consejo Europeo 2006/42/CE referente a máquinas AM 50609261 (541RS, 541RST), AM 50609279 (531RS). El certificado se aplica a todas las instalaciones de fabricación y países de origen, tal y como se declara en el producto. La recortadora de césped y desbrozadora suministradas concuerdan con los ejemplares que fueron sometidos a examen.

Husqvarna AB, Huskvarna, Suecia, 2024-01-15

Claes Losdal, director de I+D de Husqvarna AB
Responsable de la documentación técnica

Sommaire

Introduction.....	53	Transport et stockage.....	76
Sécurité.....	55	Caractéristiques techniques.....	76
Montage.....	61	Accessoires.....	78
Utilisation.....	65	Déclaration de conformité.....	79
Entretien.....	70	Annexe.....	208
Dépannage.....	75		

Introduction

Description du produit

Le produit est un coupe-bordures/débroussailluse équipé d'un moteur à combustion.

Nous travaillons en permanence à l'amélioration de votre sécurité et de votre efficacité pendant l'utilisation. Pour davantage d'informations, contactez votre atelier d'entretien.

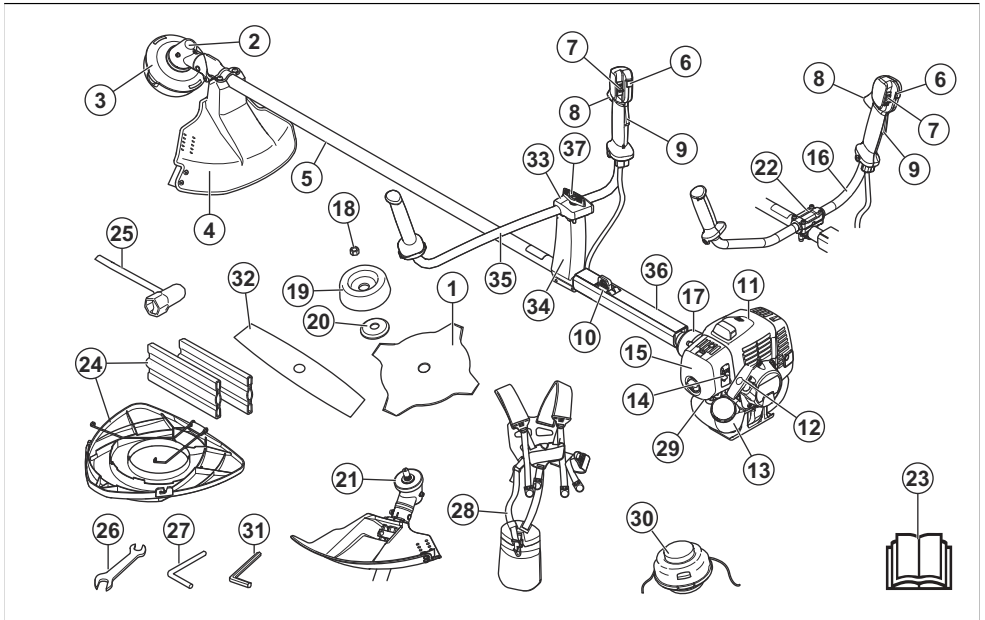
végétation. N'utilisez pas ce produit pour d'autres tâches que le désherbage et débroussaillage. Utilisez une lame à herbe ou tête de désherbage pour couper l'herbe.

Remarque: La législation nationale ou locale peut réglementer l'utilisation. Respectez la législation en vigueur.

Utilisation prévue

Le produit peut être utilisé avec une lame à herbe ou une tête de désherbage pour couper différents types de

Aperçu du produit



1. Lame (non incluse sur tous les marchés)
2. Bouchon de remplissage de graisse, renvoi d'angle
3. Renvoi d'angle

4. Protection de l'accessoire de coupe
5. Arbre
6. Bouton de l'accélération au démarrage

7. Bouton d'arrêt
8. Commande d'accélération
9. Blocage de la commande d'accélération
10. Œillet de suspension
11. Capot de cylindre
12. Poignée du câble du démarreur
13. Réservoir de carburant
14. Starter
15. Couvercle de filtre à air
16. Guidon (531RS, 541RS)
17. Carter d'embrayage
18. Contre-écrou
19. Bol de garde au sol
20. Bride de support
21. Disque d'entraînement
22. Bride de serrage du guidon (531RS, 541RS)
23. Manuel d'utilisation
24. Protection pour le transport (non incluse sur tous les marchés)
25. Clé à douille
26. Clé
27. Goupille de blocage (pour les produits sans clé à six pans)
28. Harnais
29. Poire de la pompe à carburant
30. Tête de désherbage (non incluse sur tous les marchés)
31. Clé à six pans
32. Lame à 2 dents (non incluse sur tous les marchés)
33. Couvercle (541RST)
34. Support (541RST)
35. Guidon (541RST)
36. Manchon de protection
37. Bouton (541RST)



Le produit peut entraîner la projection d'objets, ce qui peut causer des blessures.



Restez à une distance minimale de 15 m (50 pi) des personnes et des animaux pendant l'utilisation du produit.



Risque de rebond si l'équipement de coupe touche un objet qu'il ne coupe pas immédiatement. Le produit peut couper des parties du corps. Restez à une distance minimale de 15 m (50 pi) des personnes et des animaux pendant l'utilisation du produit.



Les flèches indiquent la limite de la position de la poignée.



Starter.



Poire de la pompe à carburant.



Utilisez des gants de protection homologués.



Utilisez des bottes antidérapantes robustes.



Émissions sonores dans l'environnement conformes à la directive de la Communauté européenne. Les émissions sonores du produit sont spécifiées dans la section *Caractéristiques techniques* à la page 76 et sur l'étiquette.

Symboles concernant le produit



AVERTISSEMENT : ce produit peut être dangereux et causer des blessures graves, voire mortelles, à l'opérateur ou à d'autres personnes. soyez prudent et utilisez le produit correctement.



Lisez attentivement le manuel d'utilisation et assurez-vous de bien comprendre les instructions avant utilisation.



Utilisez un casque de protection dans les endroits où des objets peuvent tomber. Utilisez des protège-oreilles et des protections pour les yeux homologués.



Régime maximal de l'arbre de sortie.

yyyywwxxxx

La plaque signalétique indique le numéro de série. **aaaa** désigne l'année de production et **ww** correspond à la semaine de production.

Remarque: Les autres symboles/autocollants présents sur le produit concernent des exigences de certification spécifiques à d'autres zones commerciales.

Endommagement du produit

Nous ne sommes pas responsables des dommages subis par le produit si :

- le produit n'est pas correctement réparé ;
- le produit est réparé avec des pièces qui ne proviennent pas du fabricant ou qui ne sont pas homologuées par le fabricant ;

- le produit est équipé d'un accessoire qui ne provient pas du fabricant ou qui n'est pas homologué par le fabricant ;
- le produit n'est pas réparé par un centre d'entretien agréé ou par une autorité homologuée.

Sécurité

Définitions de sécurité

Les définitions ci-dessous indiquent le niveau de gravité pour chaque mention d'avertissement.



AVERTISSEMENT: Blessures aux personnes.



REMARQUE: Dommages au produit.

Remarque: Cette information facilite l'utilisation du produit.

Instructions générales de sécurité



AVERTISSEMENT: Lisez les instructions qui suivent avant d'utiliser le produit.

- Utilisez le produit correctement. Une utilisation inappropriée peut causer des blessures graves, voire mortelles. Utilisez uniquement le produit pour les tâches décrites dans le présent manuel. N'utilisez pas ce produit pour d'autres travaux.
 - Respectez les instructions de ce manuel. Respectez les symboles et les instructions de sécurité. Le non-respect des instructions et des symboles par l'opérateur peut causer des blessures graves, voire mortelles, ou des dommages.
 - Ne jetez pas ce manuel. Utilisez les instructions pour assembler, utiliser et conserver votre produit en bon état. Utilisez les instructions pour l'installation appropriée des équipements et accessoires. Utilisez uniquement des équipements et accessoires homologués.
 - N'utilisez pas de produit endommagé. Respectez le schéma d'entretien. Effectuez uniquement les travaux d'entretien dont les instructions sont comprises dans ce manuel. Tous les autres travaux d'entretien doivent être effectués par un centre d'entretien agréé.
 - Ce manuel ne peut pas inclure toutes les situations qui peuvent se produire lorsque vous utilisez
- le produit. Soyez prudent et utilisez votre bon sens. N'utilisez pas ou n'effectuez pas de travaux d'entretien sur le produit si vous n'êtes pas sûr de la situation. Contactez un spécialiste du produit, votre revendeur, votre agent d'entretien ou centre d'entretien agréé pour plus d'informations.
 - Déconnectez la bougie avant d'assembler, de stocker ou d'effectuer l'entretien du produit.
 - N'utilisez pas le produit si ses caractéristiques initiales ont été changées. Ne remplacez pas une pièce du produit sans l'approbation du fabricant. Utilisez uniquement des pièces approuvées par le fabricant. Un entretien inapproprié peut causer des blessures graves, voire mortelles.
 - Ne respirez pas les fumées provenant du moteur. À long terme, l'inhalation de gaz d'échappement dégagés par le moteur constitue un risque pour la santé.
 - Ne démarrez pas le produit dans un local clos ou à proximité de matériaux inflammables. Les gaz d'échappement sont très chauds et peuvent contenir une étincelle pouvant provoquer un incendie. Un débit d'air insuffisant peut causer des blessures graves, voire mortelles dues à une asphyxie ou au monoxyde de carbone.
 - Lorsque vous utilisez ce produit, le moteur crée un champ électromagnétique. Le champ électromagnétique peut endommager les implants médicaux. Consultez votre médecin et le fabricant de votre implant avant d'utiliser ce produit.
 - Ne laissez pas un enfant utiliser le produit. Ne laissez personne utiliser la machine sans en connaître les instructions d'utilisation.
 - Assurez-vous de toujours surveiller une personne aux capacités physiques ou mentales réduites qui utilise le produit. Un adulte responsable doit être présent à tout moment.
 - Stockez le produit dans une zone dont l'accès est fermé aux enfants et aux personnes non autorisées.
 - Le produit peut projeter des objets et causer des blessures. Respectez les consignes de sécurité afin de réduire le risque de blessures graves ou mortelles.
 - Ne vous éloignez pas du produit lorsque le moteur est allumé.
 - L'opérateur du produit est tenu responsable en cas d'accident.

- Assurez-vous que les pièces ne soient pas endommagées avant d'utiliser le produit.
- Assurez-vous de maintenir une distance minimum de 15 m (50 ft) entre vous et les autres personnes ou animaux avant d'utiliser le produit. Assurez-vous que les personnes présentes dans une zone adjacente sachent que vous allez utiliser le produit.
- Référez-vous aux lois nationales ou locales. Elles peuvent empêcher ou limiter le fonctionnement du produit dans certaines conditions.
- N'utilisez pas le produit si vous êtes fatigué ou sous l'emprise d'alcool, de drogues ou de médicaments. Ces facteurs sont susceptibles d'affecter votre vue, votre vigilance, votre coordination ou votre jugement.

- Soyez prudent, un enfant peut se trouver à proximité du produit durant son fonctionnement sans que vous en ayez connaissance.
- N'utilisez pas le produit si des personnes sont présentes dans la zone de travail. Arrêtez le produit si une personne pénètre dans la zone de travail.
- Assurez-vous de toujours garder le contrôle du produit.
- N'utilisez pas ce produit si vous ne pouvez pas être secouru en cas d'accident. Assurez-vous que d'autres personnes sachent que vous allez utiliser le produit avant de commencer.
- Ne tournez pas avec le produit avant de vous assurer qu'aucune personne ni aucun animal ne se trouvent dans la zone de sécurité.
- Retirez tous les matériaux indésirables de la zone de travail avant de commencer. Si l'équipement de coupe heurte un objet, l'objet peut être projeté et causer des blessures ou des dommages. Les matériaux indésirables peuvent s'enrouler autour de l'équipement de coupe et causer des dommages.
- N'utilisez pas le produit par mauvais temps (brouillard, pluie, vents violents, risque d'éclairs ou autres conditions climatiques). Le mauvais temps peut créer des conditions de travail dangereuses (telles que des surfaces glissantes).
- Assurez-vous que vous pouvez vous déplacer librement et travailler dans une position stable.

Consignes de sécurité pour l'assemblage



AVERTISSEMENT: lisez les instructions qui suivent avant d'utiliser le produit.

- Utilisez des gants de protection homologués pour assembler le produit et l'accessoire de coupe.
- Retirez le chapeau de bougie de la bougie avant de monter le produit.
- Assurez-vous que le guidon et la protection d'accessoire de coupe adaptés sont assemblés avant d'utiliser le produit.
- Une protection d'accessoire de coupe endommagée ou incorrecte peut provoquer des blessures. N'utilisez pas d'accessoire de coupe sans une protection homologuée.
- Fixez correctement l'arbre et le carter d'embrayage avant de démarrer le produit.
- Le disque d'entraînement et la bride de support doivent s'engager correctement dans le trou central de l'accessoire de coupe. Un accessoire de coupe qui n'est pas correctement fixé peut provoquer des blessures ou la mort.
- Fixez le harnais au produit pour éviter toute blessure de l'opérateur ou d'autres personnes.



- Assurez-vous que vous ne pouvez pas tomber lorsque vous utilisez le produit. Ne vous inclinez pas lorsque vous utilisez le produit.
- Tenez toujours le produit avec vos deux mains. Tenez l'appareil du côté droit du corps.

Consignes de sécurité pour le fonctionnement

- Assurez-vous que le produit est complètement assemblé avant de l'utiliser.
- Assurez-vous de démarrer le produit 3 m (10 ft) loin de l'endroit où vous avez rempli le réservoir de carburant. Placez le produit sur une surface plane. Vérifiez que l'équipement de coupe ne touche pas le sol ou tout autre objet.
- Le produit peut entraîner la projection d'objets, ce qui peut causer des lésions oculaires. Utilisez toujours des protections pour les yeux homologuées lorsque vous faites fonctionner le produit.



- Utilisez le produit avec l'équipement de coupe sous le niveau de votre taille.
- Si la commande du starter est sur la position de starter lorsque le moteur démarre, l'équipement de coupe commence à tourner.

- Ne touchez pas le renvoi d'angle après l'arrêt du moteur. Le renvoi d'angle est chaud après l'arrêt du moteur. Les zones de chaleur peuvent causer des blessures.
- Arrêtez le moteur avant de déplacer le produit.
- Ne posez pas le produit lorsque le moteur est allumé.
- Avant de retirer les matériaux indésirables du produit, arrêtez le moteur et attendez jusqu'à l'arrêt de l'équipement de coupe. Attendez l'arrêt de l'équipement de coupe avant de retirer la matière coupée.

Équipement de protection individuelle



AVERTISSEMENT: Lisez les instructions qui suivent avant d'utiliser le produit.

- Utilisez toujours un équipement de protection individuel approprié lorsque vous faites fonctionner le produit. L'équipement de protection individuel n'empêche pas le risque de blessures. L'équipement de protection individuel diminue la gravité des blessures en cas d'accident.
- Utilisez toujours des protections pour les yeux homologuées pendant que vous faites fonctionner le produit.
- N'utilisez pas le produit pieds nus ou avec des chaussures ouvertes. Utilisez toujours des bottes antidérapantes robustes.
- Utilisez des pantalons longs et épais.
- Si nécessaire, utilisez des gants de protection homologués.
- Utilisez un casque s'il est possible que des objets tombent sur votre tête.
- Utilisez toujours des protections auditives homologuées lorsque vous faites fonctionner le produit. Une exposition au bruit sur de longues périodes peut provoquer une perte d'audition.
- Assurez-vous de disposer d'une trousse de premiers soins à proximité.

Dispositifs de protection sur le produit

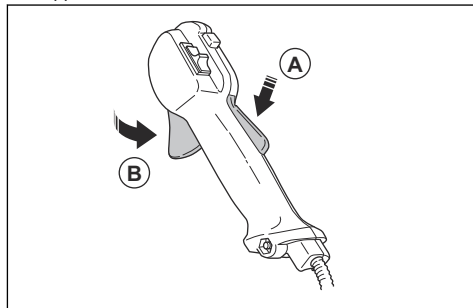
- Assurez-vous de régulièrement entretenir le produit.
 - La durée de vie du produit augmente.
 - Le risque d'accident diminue.

Laissez un revendeur ou un centre d'entretien agréé régulièrement examiner le produit pour effectuer des réglages ou des réparations.

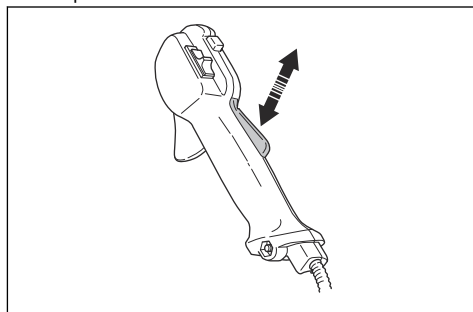
- N'utilisez pas un produit dont les équipements de protection sont endommagés. Si le produit est endommagé, contactez un centre d'entretien agréé.

Pour contrôler le blocage de la gâchette d'accélération

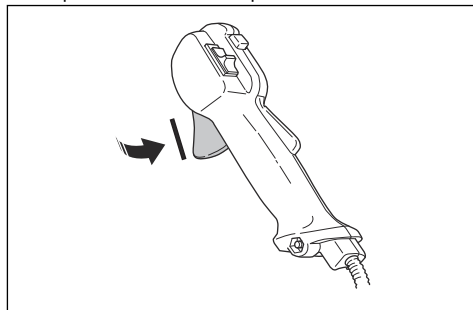
1. Assurez-vous que le blocage de la gâchette d'accélération (A) et que la gâchette d'accélération (B) se déplacent librement et que le ressort de rappel fonctionne correctement.



2. Appuyez sur le blocage de la gâchette d'accélération et assurez-vous qu'il retourne à sa position initiale lorsque vous le relâchez.



3. Vérifiez que la gâchette d'accélération est bloquée en position de ralenti lorsqu'elle est déverrouillée.



4. Démarrez le produit et faites-le fonctionner à plein régime.
5. Relâchez la gâchette d'accélération et vérifiez que l'équipement de coupe s'arrête et s'immobilise.

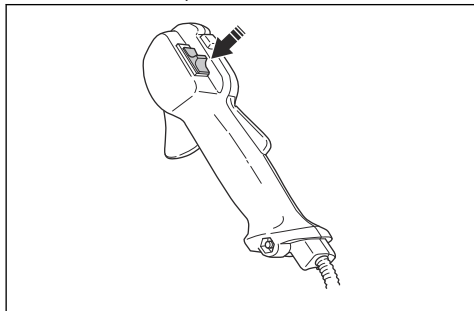


AVERTISSEMENT: Si l'équipement de coupe bouge lorsque la gâchette d'accélération est en position

de ralenti, le régime de ralenti du carburateur doit être réglé. Reportez-vous à la section *Pour régler le régime de ralenti à la page 72.*

Pour contrôler l'interrupteur d'arrêt

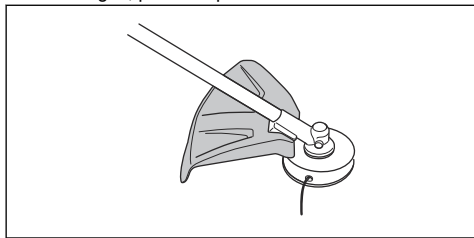
1. Démarrez le moteur.
2. Mettez l'interrupteur de marche/arrêt en position d'arrêt et vérifiez que le moteur s'arrête.



Pour contrôler la protection de l'équipement de coupe

La protection de l'accessoire de coupe permet d'arrêter les objets projetés en direction de l'opérateur. Elle permet également d'éviter de se blesser si vous touchez l'équipement de coupe.

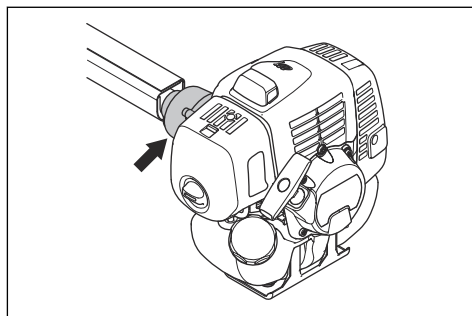
1. Arrêtez le moteur.
2. Réalisez un contrôle visuel pour détecter les dommages, par exemple des fissures.



3. Remplacez la protection de l'accessoire de coupe si celle-ci est endommagée.

Pour contrôler le système anti-vibrations

Le système anti-vibrations réduit au minimum les vibrations dans les poignées, ce qui facilite son utilisation.



1. Arrêtez le moteur.
2. Contrôlez visuellement si une déformation ou un dommage tel qu'une fissure sont présents.
3. Assurez-vous que les éléments du système anti-vibrations sont en bon état et correctement fixés.

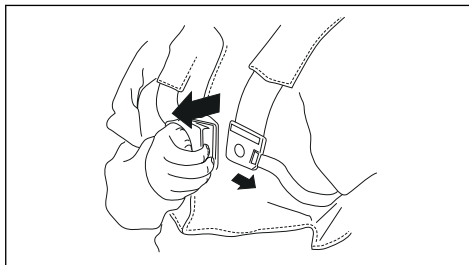
Pour contrôler le mécanisme de libération rapide



AVERTISSEMENT: n'utilisez pas le harnais si le mécanisme de libération rapide ne fonctionne pas correctement.

Le mécanisme de libération rapide permet à l'utilisateur de retirer rapidement le produit du harnais en cas d'urgence.

1. arrêtez le moteur.
2. Réalisez un contrôle visuel pour détecter les dommages, par exemple des fissures.
3. Détachez et attachez le mécanisme de libération rapide pour vous assurer que ce dernier fonctionne correctement.



Pour contrôler le silencieux

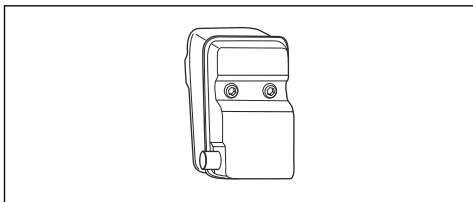


AVERTISSEMENT: N'utilisez jamais un produit avec un silencieux défectueux.

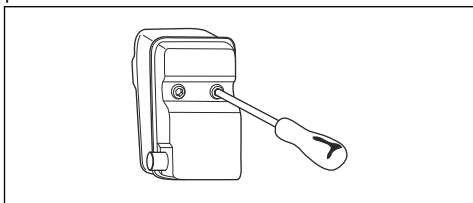


AVERTISSEMENT: Rappelez-vous que les gaz d'échappement du moteur sont chauds et peuvent produire des étincelles susceptibles de déclencher un incendie. Par conséquent, ne démarrez jamais le produit dans un local clos ou à proximité de matériaux inflammables !

Le silencieux est conçu pour réduire au maximum le niveau sonore et rejeter les gaz d'échappement loin de l'utilisateur. En ce qui concerne le silencieux, il importe de bien suivre les instructions de contrôle, de maintenance et d'entretien.



Vérifiez régulièrement la fixation du silencieux au produit.



Fixation et dépose du contre-écrou

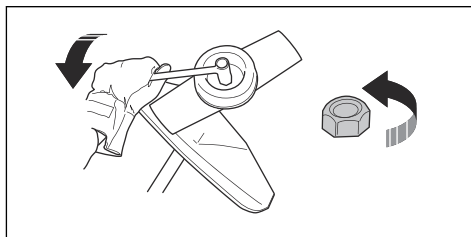


AVERTISSEMENT: Arrêtez le moteur, utilisez des gants de protection et soyez prudent autour des bords tranchants de l'équipement de coupe.

Le contre-écrou est utilisé pour fixer certains types d'accessoires de coupe. Le contre-écrou est fileté à gauche.

- Pour le fixer, serrez le contre-écrou dans le sens inverse de rotation de l'équipement de coupe.

- Pour déposer le contre-écrou, desserrez le contre-écrou dans le sens de rotation de l'accessoire de coupe.
- Pour desserrer et serrer le contre-écrou, utilisez une clé à douille munie d'un arbre long. La flèche sur l'image indique la zone dans laquelle vous pouvez utiliser la clé à douille.



AVERTISSEMENT: Lorsque vous desserrez et serrez le contre-écrou, la lame est susceptible de causer des blessures. Vous devez toujours vous assurer que le protège-lame protégé bien vos mains des blessures lorsque vous effectuez cette opération.

Remarque: Assurez-vous que vous ne pouvez pas tourner le contre-écrou à la main. Remplacez l'écrou si le revêtement en nylon ne présente pas une résistance d'au moins 1,5 Nm. Remplacez le contre-écrou après une dizaine de serrages.

Équipement de coupe

Choisissez et entretenez l'équipement de coupe de manière à :

- Obtenir la meilleure coupe possible.
- Augmenter la durée de vie de l'équipement de coupe.
- Respecter les instructions de vérification, de maintenance et d'entretien du silencieux.
- Toujours utiliser la protection recommandée pour l'équipement de coupe. Voir le chapitre Caractéristiques techniques.



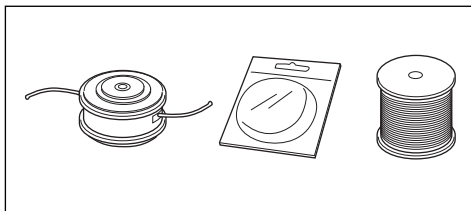
AVERTISSEMENT: N'utiliser l'équipement de coupe qu'avec la protection recommandée! Voir le chapitre Caractéristiques techniques. Référez-vous aux instructions relatives à l'équipement de coupe pour poser correctement le fil de coupe et choisir le diamètre de fil de coupe approprié.



AVERTISSEMENT: Un équipement de coupe inadéquat peut augmenter les risques d'accidents.



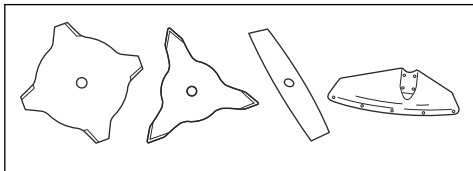
AVERTISSEMENT: Toujours arrêter le moteur avant d'entamer des travaux sur l'équipement de coupe. Celui-ci continue de tourner après qu'on a relâché l'accélérateur. Assurez-vous que l'accessoire de coupe est complètement immobilisé et débranchez le chapeau de bougie avant de commencer l'intervention sur l'accessoire de coupe.



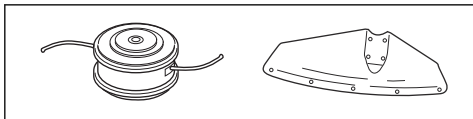
- Utilisez uniquement les équipements de coupe recommandés.
- La longueur du fil de coupe est importante. Un fil de coupe plus long requiert une puissance moteur supérieure à celle utilisée avec un fil de coupe plus court du même diamètre.
- Ne modifiez pas la position d'installation du carter de protection.
- Assurez-vous que le couteau monté sur le carter de protection n'est pas endommagé. Ce couteau découpe le fil de coupe à la bonne longueur.
- Faites tremper le fil de coupe pendant quelques jours avant utilisation afin d'augmenter sa durée de vie.

Équipement de coupe

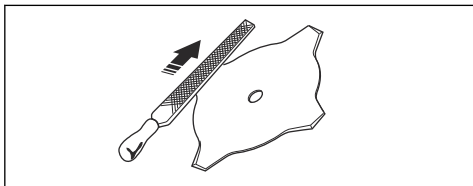
- Utilisez les lames à herbe et les couteaux à herbe pour couper l'herbe épaisse.



- Utilisez la tête de coupe pour couper l'herbe.



- Une lame mal affûtée ou endommagée augmente les risques d'accident. Maintenez les dents de la lame correctement affûtées. Suivez les instructions contenues dans *Entretien à la page 70* et utilisez la jauge de profondeur recommandée.



- Vérifiez si l'accessoire de coupe présente des dommages ou des fissures. Remplacez tout accessoire de coupe endommagé.
- Utilisez uniquement des équipements de coupe avec les protections d'équipement de coupe recommandées. Reportez-vous à la section *Accessoires à la page 78*.

Tête de désherbage



AVERTISSEMENT: Veillez à ce que le fil de coupe soit toujours enroulé de manière serrée et régulière autour du tambour pour éviter des vibrations dangereuses.

Lames et couteaux à herbe

- Utilisez le produit conjointement à une lame à herbe homologuée. N'utilisez pas de lame à herbe sans avoir posé correctement toutes les pièces nécessaires. Assurez-vous que l'installation est effectuée correctement et que les bonnes pièces sont utilisées. Une installation incorrecte peut provoquer l'expulsion de la lame et blesser gravement l'utilisateur ou les personnes se trouvant à proximité.
- Portez des gants de protection lorsque vous manipulez ou que vous procédez à l'entretien de la lame.
- Portez un casque lorsque vous utilisez un produit comportant une lame à herbe.
- Les lames et couteaux à herbe sont utilisés pour la coupe de l'herbe épaisse.
- Une lame à herbe peut provoquer des blessures alors qu'elle continue à tourner après l'arrêt du moteur ou après le relâchement de la gâchette d'accélération. Assurez-vous que la lame à herbe a complètement cessé de tourner avant toute opération de maintenance.
- Arrêtez le moteur avant d'entamer des travaux sur l'équipement de coupe. Assurez-vous que l'équipement de coupe s'arrête complètement. Débranchez le câble de la bougie.
- Utilisez uniquement un équipement de coupe homologué ou une lame correctement affûtée.
- Maintenez les dents de la lame correctement affûtées.
- N'utilisez pas un équipement de coupe endommagé.
- Fixez la protection de transport sur la lame à herbe lorsque vous transportez ou rangez le produit.

Rebond de la lame

- Un rebond est un mouvement brusque du produit sur le côté, vers l'avant ou vers l'arrière. Un rebond se produit lorsque la lame à herbe heurte un objet qui ne peut pas être coupé. Dans les zones où il n'est pas facile de voir le matériau à couper, le risque de rebond est plus élevé.
- Lorsqu'un rebond se produit, il est probable que le produit ou que l'opérateur s'éloigne de son emplacement initial. Une lame qui se déplace peut heurter les personnes aux alentours et risque ainsi de les blesser.
- Si une lame est courbée, présente des fissures, est cassée ou endommagée, mettez-la au rebut.
- Utilisez une lame affûtée. Le risque de rebond est plus élevé lorsque la lame n'est pas affûtée.

Sécurité carburant

- Ne démarrez pas le produit si du carburant ou de l'huile moteur a été renversé(e) sur le produit. Essuyez le carburant/l'huile et attendez que le produit sèche. Essuyez le carburant déversé sur le produit.
- Si vous avez renversé du carburant sur vos vêtements, changez de vêtements immédiatement.
- Évitez tout contact de la peau avec le carburant. Le carburant peut causer des blessures. Si votre peau entre en contact avec le carburant, lavez les parties qui ont été en contact avec de l'eau et du savon.
- Ne démarrez pas le moteur si vous avez renversé de l'huile ou du carburant sur le produit ou sur vous.
- Ne démarrez pas le produit s'il y a une fuite de moteur. Vérifiez régulièrement s'il y a des fuites de moteur.
- Faites attention avec le carburant. Le carburant est inflammable et ses vapeurs sont explosives. Il peut causer des blessures graves, voire mortelles.
- Ne respirez pas les vapeurs de carburant, elles peuvent causer des blessures. Assurez-vous que la ventilation est suffisante.
- Ne fumez pas à proximité du carburant ou du moteur.
- Ne mettez pas d'objets chauds à proximité du carburant ou du moteur.

- N'ajoutez pas de carburant lorsque le moteur est allumé.
- Assurez-vous que le moteur est froid avant de faire le plein de carburant.
- Avant de faire le plein, ouvrez le bouchon du réservoir de carburant lentement et relâchez la pression avec précaution.
- N'ajoutez pas de carburant au moteur dans un espace intérieur. Un débit d'air insuffisant peut causer des blessures graves, voire mortelles dues à une asphyxie ou au monoxyde de carbone.
- Serrez le bouton du réservoir de carburant avec précaution afin d'éviter tout risque d'incendie.
- Déplacez le produit à un minimum de 3 m (10 ft) de l'endroit où a été fait le plein de carburant avant de démarrer le produit.
- Ne remplissez pas trop le réservoir de carburant.
- Assurez-vous qu'aucune fuite ne peut se produire lorsque vous déplacez le produit ou le bidon de carburant.
- Ne placez pas le produit ni le bidon de carburant dans un espace où il y a une flamme nue, des étincelles ou une veilleuse d'allumage. Assurez-vous qu'il n'y a pas de flamme nue dans le lieu de stockage.
- Utilisez uniquement des récipients homologués pour le transport et le stockage de carburant.
- Avant de remiser le produit pour une période prolongée, videz le réservoir de carburant. Respectez la législation locale sur les lieux d'élimination du carburant.
- Nettoyez le produit avant de le remiser pour une période prolongée.
- Retirez la bougie avant de remiser le produit afin de s'assurer que le moteur ne démarre pas par inadvertance.

Consignes de sécurité pour l'entretien

- Si vous ne pouvez pas régler le régime de ralenti pour arrêter l'équipement de coupe, contactez votre centre d'entretien. N'utilisez pas le produit tant qu'il n'est pas correctement réglé ou réparé.

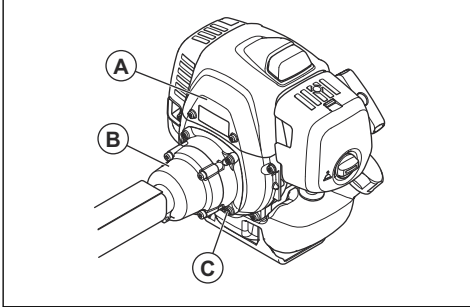
Montage



AVERTISSEMENT: Lisez le chapitre dédié à la sécurité avant de monter le produit.

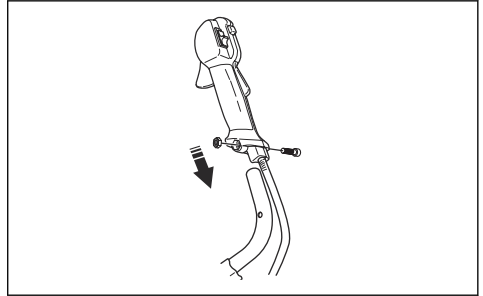
Pour installer le corps du produit

- Fixez le moteur (A) au tube (B) à l'aide de 4 vis (C).

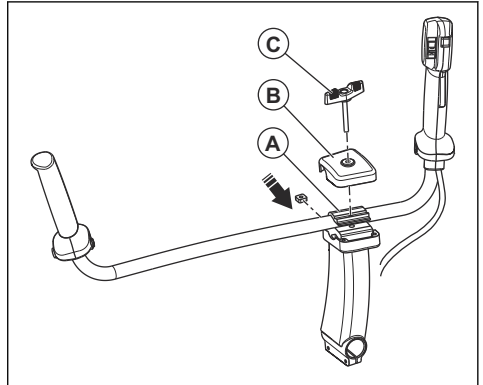


Pour poser le guidon (541RST)

- Déposez la vis située derrière la poignée d'accélération.



- Installez la poignée d'accélération sur la partie droite du guidon.
- Alignez le trou de fixation de la poignée sur celui du guidon.
- Faites passer la vis dans les trous. Serrez la vis.
- Placez l'ensemble du guidon et l'écrou carré dans le support. Veillez à ce que le guidon soit dans la bonne position.



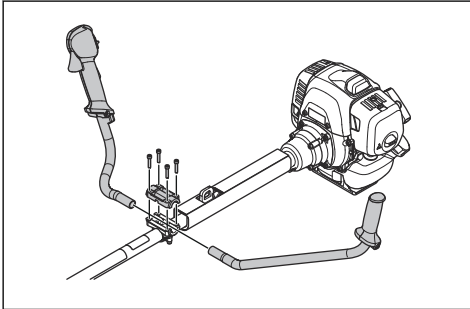
- Installez le pontet du guidon (A), le capot (B) et la molette (C).
- Alignez les trous pour la vis de la molette.
- Serrez fermement la molette pour verrouiller le guidon.

Pour poser le harnais

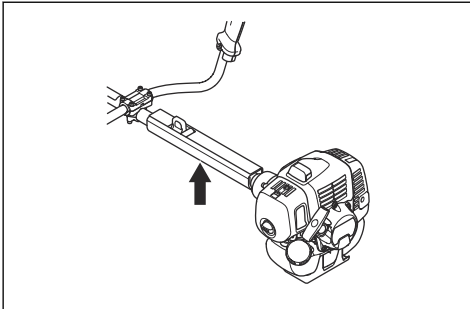
- Enfilez le harnais et suspendez l'appareil au point de suspension.

Pour poser le guidon(531RS, 541RS)

- Installez le guidon dans le pontet sur l'arbre.



- Installez le manchon de protection.



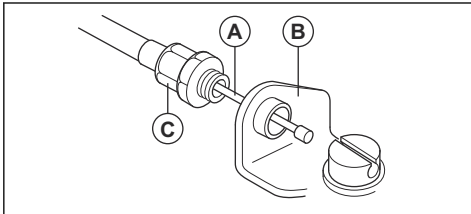
- Réglez la poignée afin de placer le produit dans une bonne position de travail.



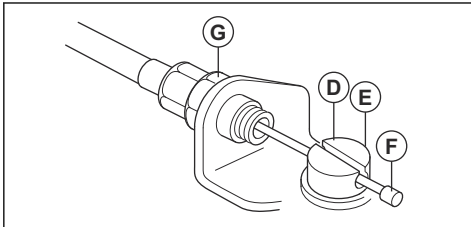
- Serrez complètement les vis.

Pour connecter le câble d'accélération et les câbles du contacteur d'arrêt

- Retirez le couvercle du filtre à air.
- Installez le câble d'accélération (A) dans le support du carburateur (B).

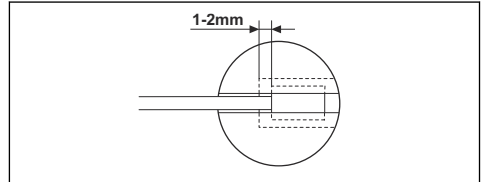


- Tournez complètement le manchon de réglage du câble (C) dans le support du carburateur.
- Placez le raccord à fente (D) sur le carburateur. À ce stade, le trou placé en retrait (E) pour la cosse de câble (F) n'entre pas en contact avec le manchon de réglage du câble (C).

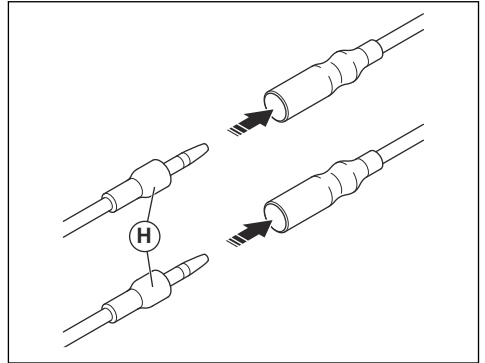


- Faites tourner l'axe d'accélération du carburateur et positionnez le câble d'accélération (A) dans la fente du raccord.
- Assurez-vous que la cosse de câble (F) s'insère dans le trou en retrait.
- Actionnez la gâchette d'accélération à plusieurs reprises pour vous assurer qu'elle fonctionne correctement.
- Réglez le manchon de réglage du câble (C).

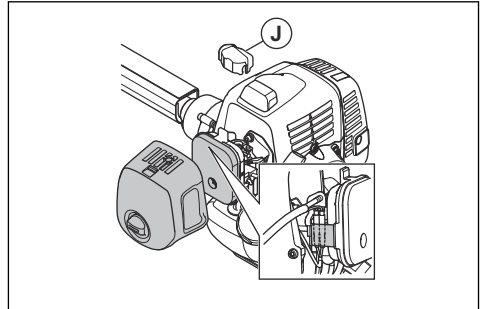
- Assurez-vous que la butée de l'axe d'accélération du carburateur touche correctement la butée de l'accélérateur.
- Assurez-vous que la position du câble permet de maintenir une distance de 1 à 2 mm entre la cosse de câble (F) et le raccord à fente lorsque la gâchette d'accélération est complètement relâchée.



- Une fois le câble d'accélération (A) correctement réglé, serrez le contre-écrou (G).
- Branchez les câbles du contacteur d'arrêt (H) aux connecteurs du moteur.



- Installez le capot de protection (J).



- Installez le couvercle de filtre à air.

Installation de lames et de têtes de désherbage



AVERTISSEMENT: Utilisez uniquement la protection homologuée pour les lames. Voir *Accessoires à la page 78*.

Une protection endommagée peut causer des blessures.

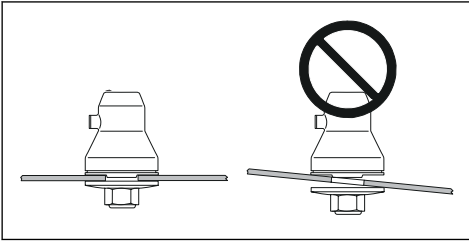


AVERTISSEMENT: Si vous utilisez le produit avec une lame à gazon, commencez par installer le guidon, le protège-lame et le harnais appropriés.



AVERTISSEMENT: Si vous n'installez pas les lames correctement, cela peut provoquer des blessures.

1. Assurez-vous que la partie levée du disque d'entraînement/de la flasque de support est positionnée correctement dans le trou central des lames.
2. Installez les lames.

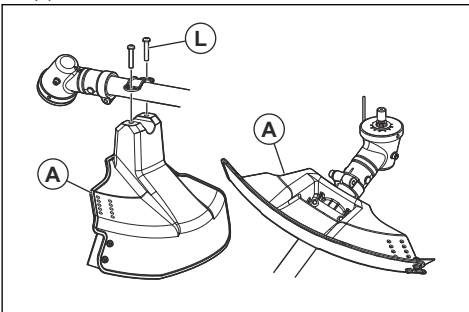


Installation d'un carter de disque et d'une lame à gazon

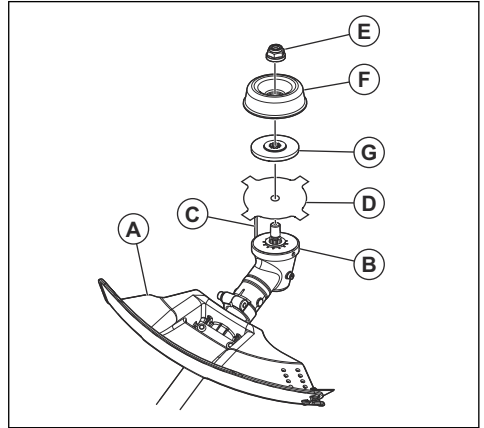


REMARQUE: Utilisez uniquement la protection homologuée pour les lames. Reportez-vous à la section *Accessoires à la page 78*.

1. Fixez le carter de disque/la protection de l'accessoire de coupe (A) sur l'arbre et serrez à l'aide du boulon (L).



2. Posez le disque d'entraînement (B) sur l'arbre de sortie.



3. Faites tourner l'arbre de sortie jusqu'à ce que l'un des trous du disque d'entraînement soit aligné avec le trou correspondant du carter d'engrenage.
4. Placez la goupille de blocage ou la clé à six pans (C) dans le trou afin de bloquer l'arbre.
5. Placez la lame (D), la bride de support (G) et le bol de garde au sol (F) sur l'arbre de sortie.
6. Installez l'écrou (E). Tenez le manche de la clé mixte près du carter de disque. Pour serrer l'écrou, vous devez tourner la clé mixte dans le sens de rotation opposé. Serrez l'écrou à un couple de 35-50 Nm/ 3,5-5 kpm.

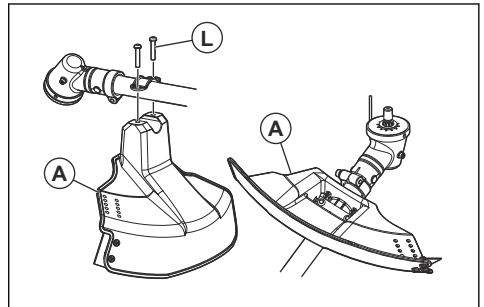
Remarque: Filetage à gauche.

Fixation du carter de protection et de la tête de désherbage

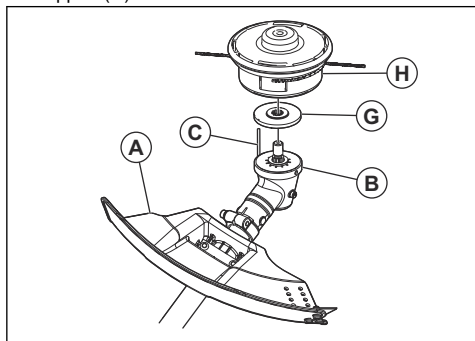


AVERTISSEMENT: Utilisez le carter de protection et la tête de désherbage appropriés.

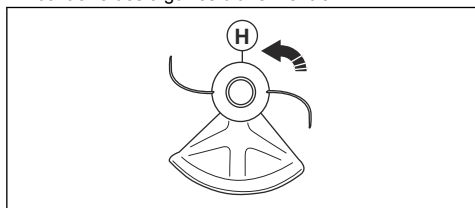
1. Fixez le carter de protection (A) sur l'arbre à l'aide des boulons (L).



- Fixez le disque d'entraînement (B) et la bride de support (G) sur l'arbre de sortie.



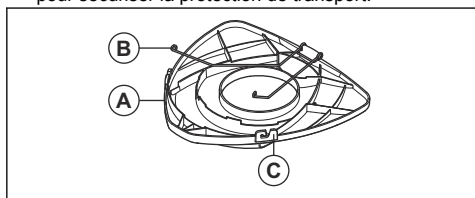
- Faites tourner l'axe sortant jusqu'à ce que le trou du toc d'entraînement coïncide avec le trou correspondant du carter.
- Placez la goupille de blocage ou la clé à six pans (C) dans le trou afin de bloquer l'arbre.
- Tournez la tête de désherbage (H) dans le sens contraire des aiguilles d'une montre.



- Pour démonter l'appareil, exécutez la procédure inverse.

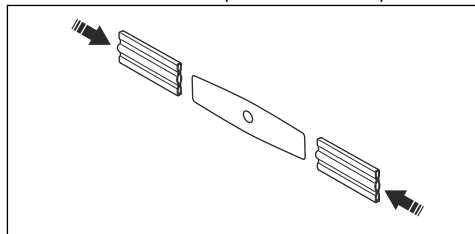
Pose de la protection de transport

- Poser la lame dans la protection de transport (A).
- Insérez les deux fixations (B) dans les fentes (C) pour sécuriser la protection de transport.



Pour installer la lame à 2 dents sur la protection

- Posez la lame dans la protection de transport.



Pour régler le harnais



AVERTISSEMENT: Le produit doit toujours être correctement fixé au harnais. N'utilisez pas de harnais endommagé.

- Enfiler le harnais.
- Reliez le produit au harnais.
- Ajustez le harnais afin d'obtenir la position de travail la plus confortable.
- Réglez les courroies latérales pour répartir le poids du produit sur les épaules.



- Ajustez le harnais jusqu'à ce que l'accessoire de coupe soit parallèle au sol.
- Laissez l'accessoire de coupe toucher légèrement le sol. Ajustez l'attache du harnais pour équilibrer correctement le produit.

Remarque: Si vous utilisez une lame à gazon, elle doit être située à environ 10 cm (4 pouces) du sol.

Utilisation



AVERTISSEMENT: Assurez-vous de lire et de comprendre le chapitre dédié à la sécurité avant d'utiliser le produit.

Carburant

Pour utiliser le carburant



REMARQUE: Ce produit est équipé d'un moteur à deux temps. Utilisez un mélange d'essence et d'huile moteur à deux temps. Assurez-vous d'utiliser la quantité correcte d'huile dans le mélange. Un rapport incorrect d'essence et d'huile peut endommager le moteur.

Essence



REMARQUE: N'utilisez pas d'essence avec un indice d'octane inférieur à 90 RON (87 AKI). Cela peut endommager le produit.



REMARQUE: N'utilisez pas d'essence avec une concentration d'éthanol (E10) supérieure à 10 %. Cela peut endommager le produit.



REMARQUE: N'utilisez pas d'essence contenant du plomb. Cela peut endommager le produit.

- Utilisez toujours de l'essence sans plomb neuve avec un indice d'octane minimal de 90 RON (87 AKI) et une concentration d'éthanol (E10) inférieure à 10 %.
- Utilisez de l'essence avec un numéro d'octane supérieur si vous utilisez fréquemment le produit à une vitesse du moteur élevée en continu.
- Utilisez toujours un mélange d'essence sans plomb/huile de bonne qualité.

Huile moteur à deux temps

- Utilisez seulement une huile moteur à deux temps de haute qualité, de préférence l'huile à deux temps HUSQVARNA. Utilisez uniquement une huile pour moteurs refroidis à l'air.
- Ratio de mélange 50:1 (2 %).
- Une huile de mauvaise qualité et un rapport huile/carburant trop élevé peuvent réduire la durée de vie des pots catalytiques.
- Adressez-vous à votre revendeur pour sélectionner une huile.
- Si de l'huile à deux temps Husqvarna n'est pas disponible, vous pouvez utiliser une autre huile à deux temps de haute qualité pour moteurs refroidis à l'air. Contactez votre revendeur pour sélectionner une huile.
- N'utilisez pas d'huile à deux temps pour moteurs hors-bord refroidis par eau. Cette huile à deux temps est parfois appelée huile « outboard ».

Essence, en litres	Huile, en litres
	2 % (50:1)
5	0,1
10	0,2
15	0,3
20	0,4

Pour effectuer le mélange de carburant

Remarque: Utilisez toujours un bidon de carburant propre lorsque vous mélangez le carburant.

Remarque: Ne préparez pas une quantité de mélange de carburant pour plus de 30 jours.

1. Ajoutez la moitié de la quantité d'essence.
2. Ajoutez la quantité totale d'huile.
3. Agitez le mélange de carburant pour mélanger le contenu.
4. Ajoutez la quantité d'essence restante.
5. Agitez le mélange de carburant pour mélanger le contenu.
6. Remplissez le réservoir de carburant.

Pour ajouter du carburant



AVERTISSEMENT: Ne placez jamais d'objet chaud et ne fumez jamais à proximité du carburant. Avant d'ajouter du carburant, arrêtez le moteur et laissez-le refroidir pendant quelques minutes.



AVERTISSEMENT: Lorsque vous ajoutez du carburant, ouvrez lentement le bouchon du réservoir de carburant pour relâcher la pression indésirable.



AVERTISSEMENT: Après avoir ajouté du carburant, serrez soigneusement le bouchon du réservoir de carburant. Éloignez la machine de la zone du plein et de toute source d'alimentation avant de démarrer le moteur.

- Utilisez un bidon d'essence comportant un dispositif d'arrêt de remplissage automatique.
- Assurez-vous que la zone proche du bouchon du réservoir de carburant est propre. Les impuretés dans le réservoir causent des troubles de fonctionnement.

- Agitez le bidon de carburant avant de verser le mélange de carburant dans le réservoir.

Pour démarrer et arrêter

Pour effectuer les contrôles nécessaires avant l'utilisation

1. Vérifiez que le produit n'a pas de pièce manquante, endommagée, desserrée ou usée.
2. Vérifiez les écrous, les vis et les boulons.
3. Examinez les lames.
4. Examinez le contre-écrou. Assurez-vous que le contre-écrou est doté d'une force de blocage d'au moins 1,5 Nm (1,1 pds lb). Serrez le contre-écrou à un couple compris entre 35 et 50 Nm (entre 26 et 36 pds lb).
5. Vérifiez le filtre à air.
6. Vérifiez le blocage de la gâchette d'accélération et la commande d'accélération.
7. Examinez l'interrupteur d'arrêt.
8. Vérifiez qu'il n'y a pas de fuites de carburant au niveau du produit.

Pour démarrer un moteur froid



AVERTISSEMENT: Avant de démarrer le produit, installez le carter d'embrayage et l'arbre complets. Un embrayage serré incorrectement peut provoquer des blessures. Utilisez des gants.



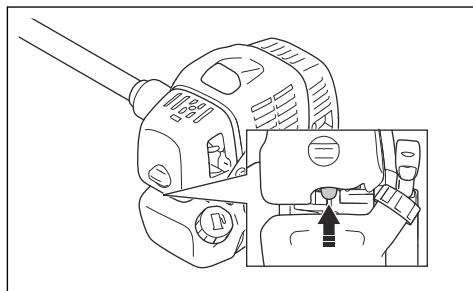
AVERTISSEMENT: Éloignez le produit de la zone et de la source du plein en carburant. Placez-le sur une surface plane. Assurez-vous qu'aucun objet n'entre en contact avec l'accessoire de coupe.



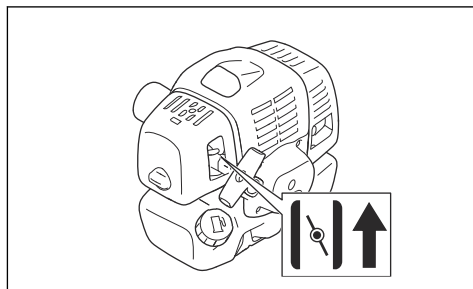
AVERTISSEMENT: Assurez-vous qu'aucune personne non autorisée ne se trouve dans la zone de travail. Cela peut provoquer un risque de blessure grave. La distance de sécurité est de 15 m.

1. Mettez l'interrupteur d'arrêt en position de démarrage.

2. Appuyez sur la poire de la pompe à carburant jusqu'à ce qu'elle commence à se remplir de carburant.



3. Amenez la commande de starter en position de starter.



4. Maintenez le produit au sol. Tirez lentement sur le câble du démarreur avec votre main droite jusqu'à sentir une certaine résistance.



Remarque: N'enroulez pas le câble du démarreur autour de votre main.



REMARQUE: Ne tirez pas complètement sur le câble du démarreur. Ne lâchez pas la poignée du câble du démarreur lorsque le câble est complètement déployé. Le non-respect de ces instructions peut endommager le moteur.

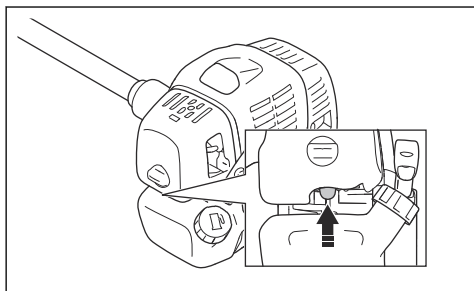
5. Tirez le câble du démarreur rapidement et avec force jusqu'à entendre le moteur démarrer.
6. Placez le starter sur la position de marche.



AVERTISSEMENT: Ne touchez pas le capot. Cela peut provoquer des brûlures de la peau et un choc électrique si le chapeau de bougie est endommagé. N'utilisez jamais un produit dont le chapeau de bougie est endommagé.

Pour démarrer un moteur chaud

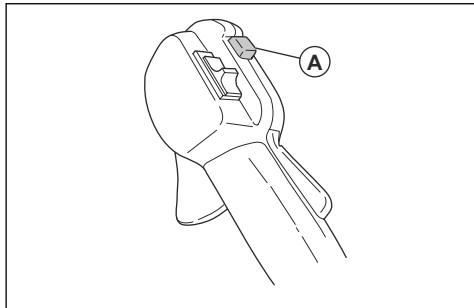
1. Mettez l'interrupteur d'arrêt en position de démarrage.
2. Appuyez sur la poire de la pompe à carburant jusqu'à ce qu'elle commence à se remplir de carburant.



3. Placez le starter en position de marche, puis tirez le câble du démarreur jusqu'à ce que le moteur démarre.

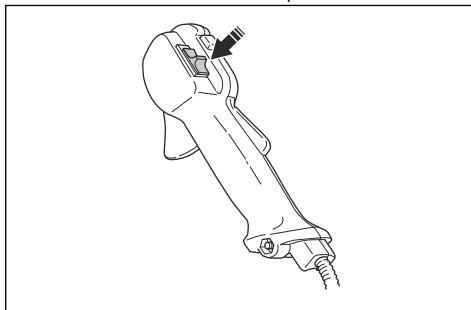
Pour démarrer une poignée d'accélération avec un blocage d'accélération au démarrage

1. Appuyez sur le blocage d'accélération et la gâchette d'accélération pour passer l'accélérateur en position de démarrage. Appuyez ensuite sur le bouton d'accélération au démarrage (A).
2. Relâchez le blocage d'accélération et la gâchette d'accélération, puis le bouton de l'accélération au démarrage. La fonction d'accélération au démarrage est maintenant activée.
3. Pour faire repasser le moteur au régime de ralenti, appuyez à nouveau sur le blocage d'accélération et la gâchette d'accélération.



Pour arrêter le moteur

1. Placez la gâchette d'accélération en position de ralenti.
2. Mettez le bouton d'arrêt sur la position d'arrêt.



Pour faire fonctionner le coupe-herbe



REMARQUE: Assurez-vous de mettre le moteur au régime de ralenti après chaque utilisation. Une longue période à plein régime sans charge sur le moteur peut endommager le moteur.

Remarque: Nettoyez la protection de la tête de désherbage lorsque vous fixez un nouveau fil de coupe-herbe pour éviter les vibrations. Vérifiez les autres parties de la tête de désherbage et nettoyez-les si nécessaire.

Instructions générales de travail



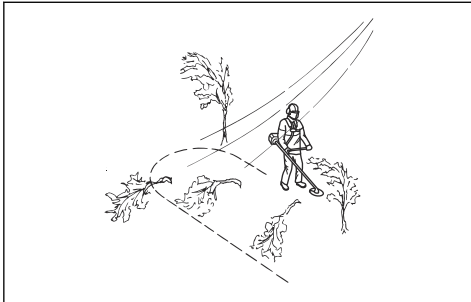
AVERTISSEMENT: Soyez prudent lorsque vous coupez un arbre plié. Il peut revenir brusquement à sa position normale avant ou après la coupe et vous heurter ainsi que le produit, entraînant des blessures.

- Dégagez un espace ouvert à l'une des extrémités de la zone de travail, et commencez le travail par là.

- Déplacez-vous sur une trajectoire régulière sur la zone de travail.



- Déplacez le produit complètement vers la gauche et la droite, pour dégager une largeur de 4 à 5 m (13-16 ft) à chaque tour.
- Dégagez une longueur de 75 m (250 ft) avant de tourner et de revenir en arrière. Déplacez le bidon de carburant avec vous lorsque vous avancez.
- Déplacez-vous dans une direction à l'écart des fossés et des obstacles si possible.
- Déplacez-vous dans une direction où le vent permet à la végétation coupée de tomber dans la zone dégagée.

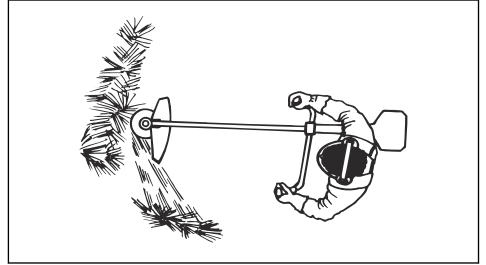


- Déplacez-vous le long des pentes, et non pas vers le haut et vers le bas.

Pour désépaissir l'herbe avec une lame à herbe

1. Gardez les pieds écartés au cours de l'utilisation du produit. Assurez-vous d'avoir des appuis stables.
2. Mettez le bol de garde au sol légèrement en contact avec le sol. Cela empêche la lame de toucher le sol.

3. Déplacez l'appareil dans un mouvement latéral fluide de droite à gauche. Faites travailler la lame du côté gauche (secteur 8 h à 12 h).

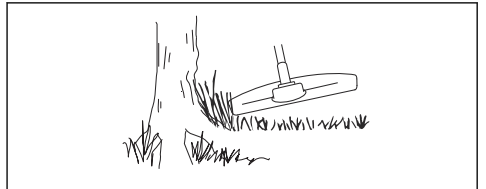


4. Inclinez la lame vers la gauche lorsque vous débroussailliez l'herbe.

Remarque: L'herbe s'accumule pour former une ligne.

5. Faites un mouvement latéral de gauche à droite pour le mouvement de retour.
6. Travaillez de façon régulière.
7. Avancez et gardez les pieds fermement au sol.
8. Arrêtez le moteur.
9. Déposez le produit de l'attache sur le harnais.
10. Placez le produit au sol.
11. Récupérez la matière végétale coupée.

Pour débroussailler

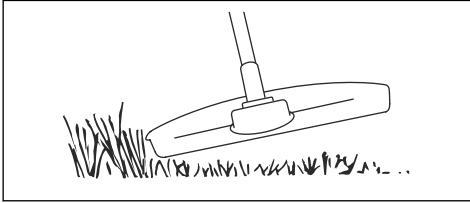


Pour obtenir les meilleurs résultats :

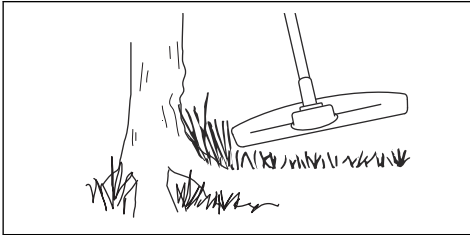
- Tenez le coupe-herbe de manière à ce que la tête de désherbage soit juste au-dessus du sol.
- Inclinez légèrement la tête de désherbage.
- Laissez l'extrémité du fil de coupe toucher le sol autour des objets.

Pour tondre l'herbe

1. Maintenez la tête de désherbage juste au-dessus du sol et inclinez-la. Ne poussez pas le fil de coupe dans l'herbe.

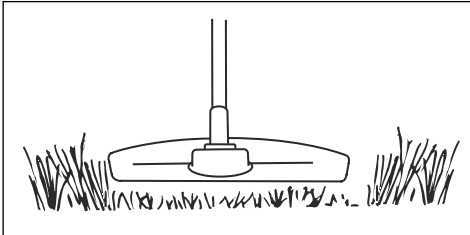


2. Réduisez la longueur du fil de coupe de 10-12 cm (4-4,75 po).
3. Diminuez la vitesse du moteur afin de limiter le risque d'endommager les plantes.
4. Baissez le régime à 80 % lorsque vous coupez l'herbe à proximité d'objets.

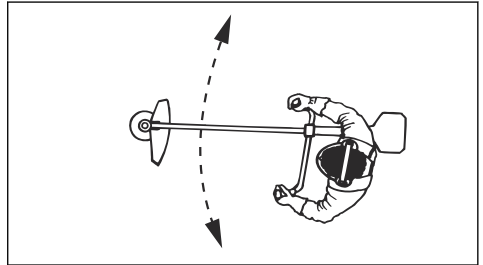


Pour couper l'herbe

1. Assurez-vous que le fil de coupe est parallèle au sol lorsque vous coupez l'herbe.



2. N'appuyez pas la tête de désherbage sur le sol. Le sol et le produit peuvent être endommagés.
3. Ne laissez pas la tête de désherbage toucher le sol en continu. Cela peut endommager la tête de désherbage.
4. Faites tourner le moteur à plein régime lorsque vous déplacez le produit de gauche à droite pour couper l'herbe.



Pour balayer l'herbe

Le débit d'air du fil de coupe en rotation peut être utilisé pour éliminer l'herbe coupée d'une zone.

1. Maintenez la tête de désherbage et son fil de coupe parallèles au sol et au-dessus du sol.
2. Donner les pleins gaz.
3. Déplacez la tête de désherbage d'un côté à l'autre et balayez l'herbe.



AVERTISSEMENT: Nettoyez le capot de la tête de désherbage chaque fois que vous remettez un fil de coupe neuf pour éviter tout déséquilibre et des vibrations dans les poignées. Vérifiez également les autres pièces de la tête de désherbage et nettoyez au besoin.

Pour remplacer le fil de coupe

Reportez-vous à la dernière page de ce manuel de l'opérateur.

Entretien



AVERTISSEMENT: Assurez-vous de lire et de comprendre le chapitre sur la

sécurité avant de nettoyer, de réparer ou de procéder à l'entretien du produit.

Calendrier d'entretien

Entretien	Tous les jours	Toutes les semaines	Mensuel
Nettoyez la surface externe.	X		
Vérifiez que le harnais n'est pas endommagé.	X		
Contrôlez l'accélération et la gâchette d'accélération.	X		
Assurez-vous que l'équipement de coupe ne tourne pas lorsque le moteur tourne au ralenti.	X		
Contrôlez l'interrupteur d'arrêt. Reportez-vous à la section <i>Pour contrôler l'interrupteur d'arrêt à la page 58.</i>	X		
Vérifiez si la protection de l'accessoire de coupe présente des dommages ou des fissures.	X		
Assurez-vous que la lame à gazon est alignée sur le centre. Assurez-vous que la lame à gazon est bien affûtée et que ni la lame ni le trou central ne sont endommagés.	X		
Examinez la tête de désherbage pour vérifier qu'elle ne présente pas de dommages ni de fissures. Remplacez-la si elle est endommagée.	X		
Examinez la poignée et le guidon afin de détecter d'éventuels dommages et assurez-vous qu'ils sont correctement fixés.	X		
Pour les accessoires de coupe avec un bol de garde au sol, serrez correctement la vis de blocage.	X		
Pour les accessoires de coupe avec un contre-écrou, serrez correctement le contre-écrou.	X		
Examinez la protection de transport afin de détecter d'éventuels dommages et assurez-vous qu'elle peut être fixée correctement.	X		
Vérifiez si le moteur, le réservoir de carburant et les conduites de carburant présentent des fuites.	X		
Nettoyez le filtre à air. Remplacez-le si nécessaire.	X		
Serrez les écrous et les vis.	X		
Vérifiez que le filtre à carburant n'est pas contaminé et que le tuyau de carburant ne comporte pas de fissures ou d'autres dommages. Remplacez-le si nécessaire.	X		
Vérifiez tous les câbles et tous les raccords.	X		
Vérifiez si le démarreur et le câble de démarreur sont endommagés.		X	
Vérifiez la bougie d'allumage. Reportez-vous à la section <i>Pour inspecter la bougie à la page 74.</i>		X	
Veillez à ce que le renvoi d'angle soit aux $\frac{3}{4}$ rempli de graisse.		X	
Nettoyez la surface extérieure du carburateur et la zone autour de celui-ci.		X	

Entretien	Tous les jours	Toutes les semaines	Mensuel
Nettoyez la bougie. Retirez la bougie et vérifiez l'écartement des électrodes. Au besoin, ajustez l'écartement des électrodes ou remplacez la bougie. Reportez-vous à la section <i>Caractéristiques techniques</i> à la page 76. Assurez-vous que la bougie est montée avec un supprimeur.		X	
Vérifiez l'état d'usure de l'embrayage, des ressorts d'embrayage et du tambour d'embrayage. Remplacez-le si nécessaire.			X
Remplacez la bougie. Assurez-vous que la bougie est montée avec un supprimeur.			X
Lubrifiez l'arbre d'entraînement.			X
Vérifiez que les dispositifs anti-vibrations ne sont pas endommagés.		X	
Nettoyez le système de refroidissement du produit.		X	
Nettoyez le silencieux.			X

Pour régler le carburateur

Le réglage de base du carburateur est effectué à l'usine. Le réglage doit être effectué par un technicien qualifié.

Pour contrôler le silencieux



AVERTISSEMENT: N'utilisez pas un produit dont le silencieux est endommagé. Remplacez toujours un silencieux endommagé.



AVERTISSEMENT: Risque de brûlure ou d'incendie. Les silencieux équipés de pots catalytiques deviennent très chauds lors du fonctionnement.



AVERTISSEMENT: Risque d'incendie. Le silencieux atténue le niveau sonore et éloigne les gaz d'échappement de l'opérateur. Ces gaz d'échappement sont chauds et peuvent produire des étincelles.



REMARQUE: Il est nécessaire de remplacer l'écran pare-étincelles s'il est endommagé. N'utilisez pas le produit si l'écran pare-étincelles sur le silencieux est manquant ou endommagé.



REMARQUE: Si l'écran pare-étincelles est obstrué, le produit peut surchauffer, entraînant des détériorations au niveau du cylindre et du piston.

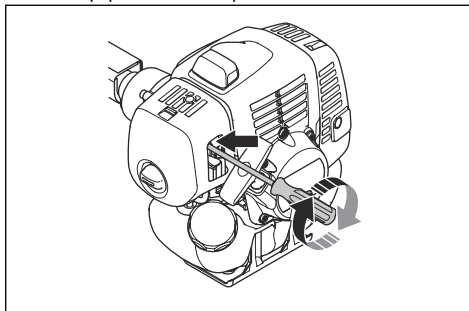
1. Assurez-vous que le silencieux n'est pas endommagé.

2. Assurez-vous que le silencieux est correctement fixé à l'appareil.

Pour régler le régime de ralenti

Votre produit Husqvarna est fabriqué conformément aux spécifications permettant de diminuer les émissions nocives.

1. Assurez-vous que le filtre à air est propre et que le couvercle de filtre à air est fixé avant de régler le régime de ralenti.
2. Réglez le régime de ralenti à l'aide de la vis de ralenti T marquée par le repère « T ».
 - a) Tournez la vis de ralenti T dans le sens des aiguilles d'une montre, jusqu'à ce que l'équipement de coupe commence à tourner.



- b) Tournez la vis de ralenti T dans le sens contraire des aiguilles d'une montre jusqu'à ce que l'équipement de coupe s'arrête et que le bruit de l'embrayage diminue.



AVERTISSEMENT: Si l'accessoire de coupe ne s'arrête pas lorsque vous réglez le régime de ralenti, veuillez contacter votre atelier

d'entretien. N'utilisez pas le produit tant qu'il n'est pas réglé ou réparé correctement.

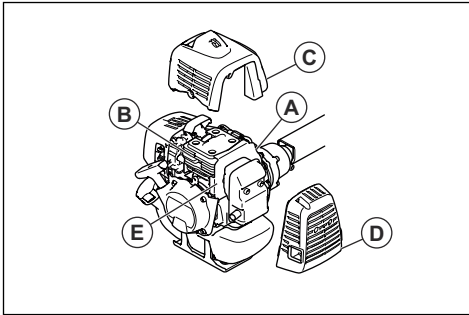
3. Le régime de ralenti est correct lorsque le moteur fonctionne sans à-coups dans toutes les positions. Le régime de ralenti doit être inférieur à la vitesse lorsque l'équipement de coupe commence à tourner.

Remarque: Reportez-vous à la section *Caractéristiques techniques* à la page 76 pour connaître le régime de ralenti recommandé.

Système de refroidissement

Le produit est équipé d'un système de refroidissement permettant de maintenir une température de travail basse.

Le circuit de refroidissement est composé :



- D'ailettes de ventilation sur le volant (A)
- D'ailettes de refroidissement sur le cylindre (B)
- D'un capot de cylindre (C) (dirige l'air de refroidissement vers le cylindre)
- D'un capot de silencieux (D)
- D'une plaque de silencieux (E)

Pour nettoyer le circuit de refroidissement



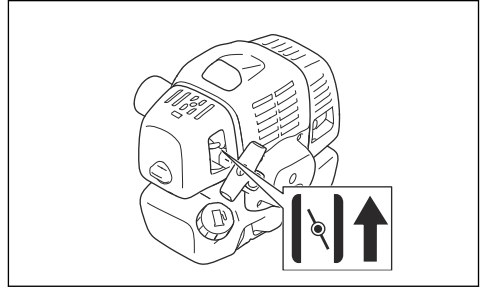
AVERTISSEMENT: Un circuit de refroidissement sale ou colmaté peut entraîner une surchauffe. Cela peut endommager le piston et le cylindre.

1. Nettoyez les pièces du circuit de refroidissement à l'aide d'une brosse au moins une fois par semaine.

Filtere à air

- Nettoyez le filtre toutes les 25 heures. Nettoyez-le plus régulièrement si nécessaire.

- mettez la commande de starter sur la position de starter.



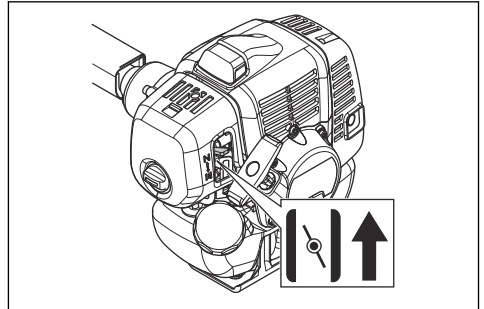
Nettoyage du filtre à air



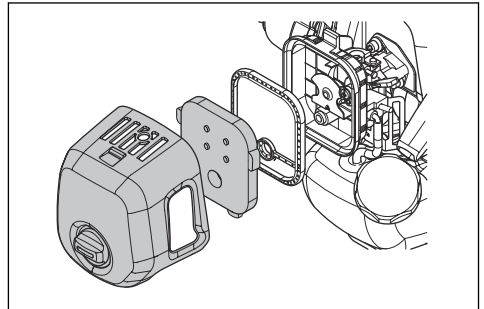
REMARQUE: Remplacez systématiquement le filtre à air s'il est endommagé, très sale ou imbibé de carburant.

Si vous utilisez un filtre à air pendant une longue période, il est impossible de le nettoyer complètement. Remplacez régulièrement le filtre à air par un filtre neuf.

1. Fermez la vanne du starter.



2. Retirez le couvercle de filtre à air.



3. Retirez le filtre à air.
4. Nettoyez le filtre à air avec de l'eau chaude savonneuse.

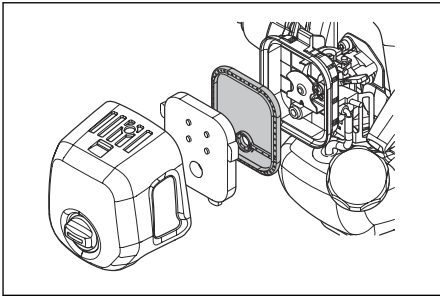
5. Remplacez le filtre à air s'il est trop sale pour pouvoir le nettoyer complètement. Remplacez toujours le filtre à air s'il est endommagé.
6. Nettoyez la surface intérieure du couvercle de filtre à air. Utilisez un appareil à air comprimé ou une brosse.
7. Assurez-vous que le filtre à air est sec avant de l'installer.

Filter en feutre

- Frappez avec précaution le filtre en feutre contre votre main ou utilisez de l'air comprimé pour nettoyer le filtre en feutre.

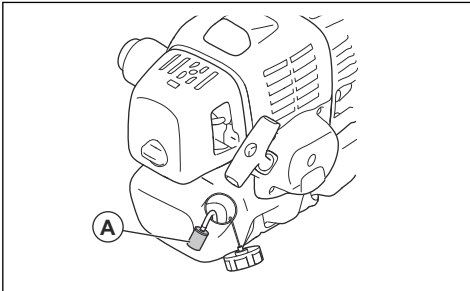


REMARQUE: N'utilisez pas d'eau pour nettoyer le filtre en feutre. L'eau peut endommager le filtre en feutre.



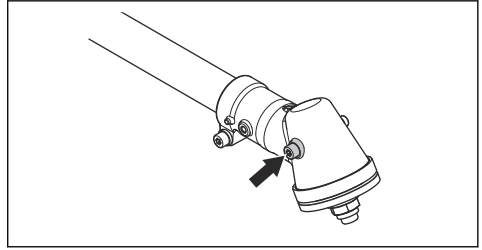
Filter à carburant

Si l'approvisionnement en carburant commence à être insuffisant pour le moteur, vérifiez si le bouchon du réservoir et le filtre (A) ne sont pas obstrués.



Pour graisser pour le renvoi d'angle

- Assurez-vous que le renvoi d'angle est rempli aux $\frac{3}{4}$ de graisse pour renvoi d'angle.

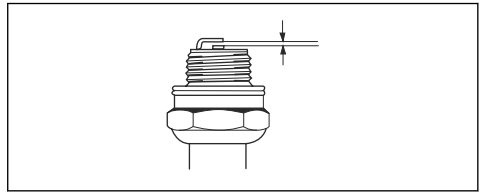


Pour inspecter la bougie



REMARQUE: Utilisez toujours le type de bougie recommandé. Un type de bougie inadéquat peut endommager le produit.

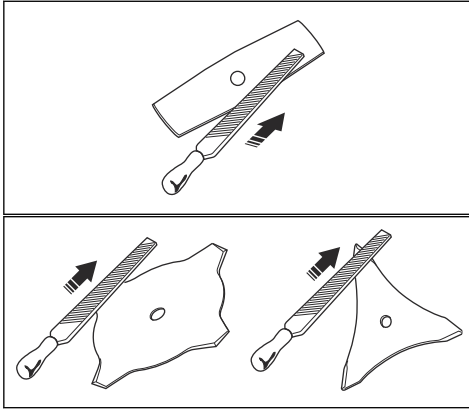
- Inspectez la bougie si le moteur manque de puissance, n'est pas facile à démarrer ou ne fonctionne pas correctement lorsqu'il tourne au régime de ralenti.
- Afin de réduire le risque de présence de matériaux indésirables sur les électrodes de la bougie, procédez comme suit :
 - a) Assurez-vous que le régime de ralenti est correctement réglé.
 - b) Assurez-vous que le mélange de carburant est correct.
 - c) Assurez-vous que le filtre à air est propre.
- Si la bougie est encrassée, nettoyez-la et vérifiez que l'écartement des électrodes est correct ; reportez-vous à la section *Caractéristiques techniques* à la page 76.



- Remplacez la bougie si nécessaire.

Pour affûter les lames et couteaux à herbe

- Affûtez les bords des lames et couteaux à herbe de manière égale afin de préserver l'équilibre. Utilisez une lime plate à taille simple.



Dépannage

Dépannage

Échec lors du démarrage		
Contrôle	Cause possible	Solution
Bouton d'arrêt	Position d'arrêt	Mettez l'interrupteur d'arrêt en position de démarrage.
Cliquets du lanceur	Cliquets bloqués	Réglez ou remplacez les cliquets.
		Nettoyez le pourtour des cliquets.
		Contactez un atelier d'entretien agréé.
Réservoir de carburant	Mauvais type de carburant.	Vidangez et utilisez le bon carburant.
Carburateur	Réglage du régime de ralenti.	Réglez le régime de ralenti à l'aide de la vis T.
Allumage (pas d'étincelle)	Bougie sale ou humide.	Assurez-vous que la bougie est sèche et propre.
		Nettoyez la bougie. Vérifiez que l'écartement des électrodes est correct. Assurez-vous que la bougie est installée avec un supprimeur.
	Écartement de la bougie incorrect.	Reportez-vous aux caractéristiques techniques pour obtenir le bon écartement des électrodes.
Bougie	Bougie desserrée.	Serrez la bougie d'allumage.

Échec lors du démarrage		
Contrôle	Cause possible	Solution
Filtre à carburant	Filtre à carburant bouché.	Remplacez le filtre à carburant.

Le moteur démarre, mais ne reste pas en marche		
Contrôle	Cause possible	Solution
Réservoir de carburant	Mauvais type de carburant.	Vidangez et utilisez le bon carburant.
Carburateur	Le moteur ne ralentit pas correctement.	Contactez votre atelier d'entretien.
Filtre à air	Filtre à air bouché.	Nettoyez le filtre à air.
Filtre à carburant	Filtre à carburant bouché.	Remplacez le filtre à carburant.

Transport et stockage

- Sécurisez l'équipement lors du transport afin d'éviter tout dommage ou accident.
- Conservez le produit et l'équipement dans un endroit sec et à l'abri du gel.
- Nettoyez le produit.
- Remplacez ou réparez les composants endommagés.
- Utilisez le capot de protection adéquat afin que le produit ne soit pas exposé à l'humidité.
- Faites en sorte que le produit reste fermement attaché durant le transport.

Caractéristiques techniques

Caractéristiques techniques

	531RS	541RS	541RST
Moteur			
Cylindrée, cm ³	33,6	41,5	41,5
Diamètre du cylindre, Ø mm	36	40	40
Longueur de course du cylindre, mm	33	33	33
Régime de ralenti, min ⁻¹ (tr/min)	2 500 ± 200	2 500 ± 200	2 500 ± 200
Régime max. recommandé, min ⁻¹ (tr/min)	12 000	12 000	12 000
Régime de l'arbre de sortie, min ⁻¹ (tr/min)	8 570	8 570	8 570

	531RS	541RS	541RST
Puissance moteur max., selon ISO 8893, kW à min ⁻¹ (tr/min)	1,2/1,6 à 7 000	1,6/2,1 à 7 000	1,6/2,1 à 7 000
Silencieux avec pot catalytique	Non	Non	Non
Système d'allumage			
Bougie	NGK BPMR7A	NGK BPMR7A	NGK BPMR7A
Écartement des électrodes, mm	0,6 à 0,7	0,6 à 0,7	0,6 à 0,7
Système de lubrification et de carburant			
Capacité du réservoir de carburant, l	0,74	0,94	0,94
Poids			
Sans accessoire de coupe, protection d'accessoire de coupe, harnais et avec réservoirs vides, kg	7,2	7,4	7,6
Émissions sonores ⁷			
Niveau de puissance acoustique mesuré dB (A)	104	105	105
Niveau de puissance sonore, garanti L _{WA} dB(A)	109	109	109
Niveaux sonores ⁸			
Pression sonore équivalente au niveau des oreilles de l'opérateur, mesurée selon les normes EN ISO 11806 et ISO 22868, dB(A).			
Avec tête de désherbage (d'origine)	90	94	94
Avec lame à gazon (d'origine)	89	95	95
Niveaux de vibrations ⁹			
Niveaux de vibrations équivalents (a _{hv,eq}) au niveau des poignées, mesurés selon les normes EN ISO 11806 et ISO 22867, m/s ²			
Avec tête de désherbage (d'origine), gauche/droite	2,8/3,0	3,1/2,8	5,6/5,1
Avec lame à gazon (d'origine), gauche/droite	4,2/4,0	4,5/5,0	7,1/6,3

⁷ Émissions sonores dans l'environnement mesurées comme puissance acoustique (L_{WA}) selon la directive européenne CE 2000/14/CE. Le niveau de puissance sonore reporté pour la machine a été mesuré avec l'accessoire de coupe d'origine qui atteint le niveau le plus élevé. La différence entre le niveau de puissance sonore garanti et le niveau mesuré réside dans le fait que le niveau garanti prend également en compte la dispersion et les variations d'une machine à l'autre du même modèle, conformément à la directive 2000/14/CE.

⁸ Les données reportées pour le niveau de pression sonore équivalent montrent une dispersion statistique typique (déviation standard) de 3 dB(A).

⁹ Les données reportées pour le niveau de vibrations montrent une dispersion statistique typique (déviation standard) de 1,5 m/s².

Accessoires

Accessoires

Accessoires homologués	Type d'accessoire	Protection pour équipement de coupe, réf.
Lame/couteau à gazon	Multi 255-3 (Ø 255, 3 dents)	584 40 42-01
	Multi 275-4 (Ø 275, 4 dents)	584 40 42-01
	Multi 300-3 (Ø 300, 3 dents)	584 40 42-01
	Multi 330-2 (Ø 330, 2 dents)	584 40 42-01
Lames en plastique	Tricut Ø 300 mm (les lames séparées portent la référence 531 01 77-15)	584 40 42-01
Tête de désherbage	T35, T35X (fil de coupe Ø 2,4 - 3,0 mm)	584 40 42-01
	S35 (fil de coupe Ø 2,4 - 3,0 mm)	584 40 42-01
	T45, T45x (fil de coupe Ø 2,7 à 3,3 mm)	584 40 42-01
	T55x (fil de coupe Ø 2,7 - 3,3 mm)	584 40 42-01
	S II	584 40 42-01
Bol de garde au sol	Fixe	-

Déclaration de conformité

Déclaration de conformité CE

Responsable de la documentation technique

Nom de l'auteur : Husqvarna AB, SE-561 82 Huskvarna, Suède, tél. : +46-36-146500.



Nous, **Husqvarna AB**, déclarons sous notre seule responsabilité l'objet de cette déclaration : Coupe-bordure et/ou débroussailleuse à essence, plates-formes G34L et G43L représentant les modèles **Husqvarna 531RS, 541RS et 541RST** à partir des numéros de série de 2024 et ultérieurs. Le numéro de plateforme et le numéro de modèle, ainsi que l'année, sont clairement indiqués sur la plaque signalétique et suivis des numéros de série.

L'objet de la déclaration décrit ci-dessus est conforme aux dispositions des directives du conseil :

- du 17 mai 2006 « relative aux machines » **2006/42/CE.**
- du 26 février 2014 « relative à la compatibilité électromagnétique » **2014/30/UE.**
- du 8 mai 2000 « relative aux émissions sonores dans l'environnement » **2000/14/CE.**
- du 8 juin 2011 « relative à la limitation de l'utilisation de certaines substances dangereuses » **2011/65/UE.**

Procédure d'évaluation de la conformité appliquée conformément à la directive 2000/14/CE, annexe V.

Pour toute information relative aux émissions sonores, voir *Caractéristiques techniques à la page 76.*

Les normes harmonisées suivantes ont été appliquées :

EN ISO 11806-1:2022, EN ISO 14982:2009, EN ISO 12100:2010, EN IEC 63000:2018

TÜV Rheinland LGA Products GmbH, Tillystrasse 2 - D-90431 Nuremberg, Allemagne, 0197, a procédé à un examen volontaire

pour le compte Husqvarna AB et lui a attribué le AM 50609261 (541RS, 541RST), AM 50609279 (531RS) - Certificat

de conformité à la directive 2006/42/CE du Conseil de la CE relative aux machines. Ce certificat s'applique à l'ensemble des sites de fabrication et pays d'origine, comme indiqué sur le produit. Le coupe-bordure et/ou la débroussailleuse fourni(s) correspondent aux exemplaires soumis au contrôle de conformité communautaire européen.

Husqvarna AB, Huskvarna, Suède, 2024-01-15

Claes Losdal, responsable R&D, Husqvarna AB

ÍNDICE

Introdução.....	80	Transporte e armazenamento.....	102
Segurança.....	82	Especificações técnicas.....	102
Montagem.....	88	Acessórios.....	104
Funcionamento.....	92	Declaração de conformidade.....	105
Manutenção.....	97	Anexo	208
Resolução de problemas.....	101		

Introdução

Descrição do produto

Este produto é um aparador de relva/uma roçadora com um motor de combustão.

Decorre um trabalho constante para aumentar a sua segurança e eficiência durante o funcionamento. Para mais informações, contacte o revendedor com assistência técnica.

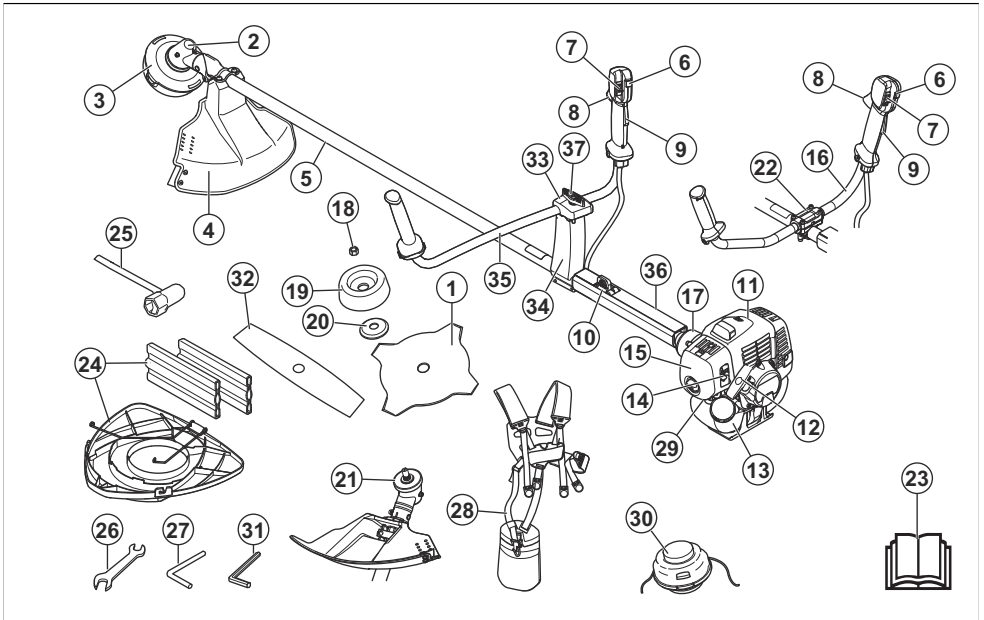
Finalidade

O produto pode ser utilizado com uma lâmina de relva ou uma cabeça do aparador para cortar diferentes tipos

de vegetação. Não utilize o produto para outras tarefas que não aparar e desbastar relva. Utilize uma lâmina de relva ou cabeça do aparador para cortar relva.

Nota: A utilização pode estar sujeita a regulamentos nacionais ou locais. Respeite os regulamentos estabelecidos.

Vista geral do produto



1. Lâmina (não incluída em todos os mercados)
2. Enchimento de massa lubrificante, engrenagem angular
3. Engrenagem cônica
4. Proteção do acessório de corte
5. Eixo

6. Botão de aceleração de arranque
7. Interruptor Stop
8. Acelerador
9. Bloqueio do acelerador
10. Anel de suspensão
11. Cobertura do cilindro
12. Punho do cabo de arranque
13. Depósito de combustível
14. Controlo do estrangulador
15. Cobertura do filtro de ar
16. Barra de direção (531RS, 541RS)
17. Cobertura da embraiagem
18. Porca de fixação
19. Copo de apoio
20. Flange de apoio
21. Accionador
22. Grampo da barra de direção (531RS, 541RS)
23. Manual do utilizador
24. Proteção para transporte (não incluída em todos os mercados)
25. Chave de caixa
26. Chave
27. Pino de bloqueio (para produtos sem chave Allen)
28. Cablagem
29. Ampola da purga de ar
30. Cabeça do aparador (não incluída em todos os mercados)
31. Chave Allen
32. Lâmina de 2 dentes (não incluída em todos os mercados)
33. Cobertura (541RST)
34. Suporte (541RST)
35. Barra de direção (541RST)
36. Manga de proteção
37. Botão (541RST)

Símbolos no produto



AVISO: Este produto pode ser perigoso e provocar ferimentos graves ou a morte do utilizador ou de terceiros. Seja cuidadoso e utilize o produto corretamente.



Leia o manual do utilizador com atenção e certifique-se de que compreende as instruções antes de utilizar o produto.



Utilize um capacete de proteção em locais onde possam cair objetos sobre si. Utilize protetores acústicos e proteção ocular aprovados.



Velocidade máxima do eixo de saída.



O produto pode causar a projeção de objetos, o que pode resultar em ferimentos.



Mantenha pessoas e animais a uma distância mínima de 15 m/50 pés durante o funcionamento do produto.



Risco de arremesso da lâmina se o equipamento de corte tocar num objeto que não é imediatamente cortado. O produto pode cortar partes do corpo. Mantenha pessoas e animais a uma distância mínima de 15 m/50 pés durante o funcionamento do produto.



As setas apresentam o limite para a posição do punho.



Estrangulador.



Ampola da purga de ar.



Utilize luvas de proteção aprovadas.



Use botas antiderrapantes resistentes.



Para informações sobre a emissão de ruído para o meio ambiente consulte a diretiva da Comunidade Europeia. As emissões do produto são indicadas em *Especificações técnicas na página 102* e na etiqueta.

aaaaassxxx

A etiqueta de tipo apresenta o número de série. **aaaa** é o ano de fabrico e **ss** é a semana de fabrico.

Nota: Os restantes símbolos/autocolantes existentes no produto dizem respeito a exigências para homologação em outras áreas comerciais.

Danos no produto

Não somos responsáveis por danos no nosso produto se:

- o produto tiver sido incorretamente reparado.
- o produto tiver sido reparado com peças que não sejam do fabricante ou que não sejam aprovadas pelo fabricante.

Segurança

Definições de segurança

As definições abaixo indicam o nível de gravidade para cada palavra do sinal.



ATENÇÃO: Ferimentos pessoais.



CUIDADO: Danos no produto.

Nota: Esta informação facilita a utilização do produto.

Instruções de segurança gerais



ATENÇÃO: Leia as instruções de aviso que se seguem antes de utilizar o produto.

- Utilize o produto corretamente. Ferimentos ou morte são resultados possíveis de utilização incorreta. Utilize apenas o produto para as tarefas descritas neste manual. Não utilize o produto para outras tarefas.
- Siga as instruções neste manual. Respeite as instruções e os símbolos de segurança. Ferimentos, danos ou morte são um resultado possível se o operador não respeitar as instruções e os símbolos.
- Não elimine este manual. Utilize as instruções para montar, para operar e para manter o seu produto em bom estado. Utilize as instruções para a instalação correta de acessórios. Utilize apenas acessórios aprovados.
- Não utilize um produto danificado. Respeite o esquema de manutenção. Realize apenas tarefas de manutenção descritas neste manual. Todas as outras tarefas de manutenção têm de ser realizadas por um centro de assistência autorizado.
- Este manual não pode incluir todas as situações que podem ocorrer quando utiliza o produto. Seja cuidadoso e use o seu senso comum. Não utilize o produto nem realize tarefas de manutenção no mesmo se não tiver a certeza acerca da situação. Fale com um especialista do produto, o seu concessionário, oficina autorizada ou centro de assistência autorizado para obter informações.
- Desligue o cabo da vela de ignição antes de montar o produto, de o armazenar ou de realizar tarefas de manutenção.
- Não utilize o produto se este for alterado da sua especificação inicial. Não altere uma parte do produto sem a aprovação do fabricante. Utilize apenas peças aprovadas pelo fabricante. Ferimentos ou morte são resultados possíveis de manutenção incorreta.
- Não respire os gases do motor. A inalação prolongada dos gases de escape do motor constitui um risco para a saúde.
- Não arranque o produto em locais fechados ou nas proximidades de material inflamável. Os gases de escape são quentes e podem conter faíscas que podem causar incêndios. O fluxo de ar insuficiente pode causar ferimentos ou morte devido a asfixia ou monóxido de carbono.
- Quando utilizar esse produto, o motor produz um campo eletromagnético. O campo eletromagnético pode causar danos a implantes médicos. Consulte o seu médico e o fabricante do implante antes de utilizar este produto.
- Não deixe uma criança utilizar o produto. Não permita que o produto seja operado por uma pessoa que não conheça as instruções.
- Certifique-se de que monitoriza sempre a utilização do produto por pessoas com diminuição da capacidade física ou mental. Tem de estar sempre presente um adulto responsável.
- Bloqueie o produto numa área à qual crianças e pessoas sem autorização não tenham acesso.
- O produto pode projetar objetos e causar ferimentos. Respeite as instruções de segurança para diminuir o risco de ferimentos ou morte.
- Não se afaste do produto quando o motor estiver ligado.
- O operador do produto é responsável caso ocorra um acidente.
- Certifique-se de que as peças não estão danificadas antes de utilizar o produto.
- Antes de utilizar o produto, certifique-se de que está, no mínimo, a 15 m (50 pés) de distância de outras pessoas ou de animais. Certifique-se de que as

pessoas na área adjacente sabem que irá utilizar o produto.

- Consulte as leis nacionais ou locais. Podem impedir ou diminuir o funcionamento do produto em algumas condições.
- Não utilize o produto se estiver cansado ou sob a influência de álcool, drogas ou medicamentos. Estes podem ter efeitos na sua visão, atenção, capacidade de discernimento ou controlo físico.

Instruções de segurança para montagem



ATENÇÃO: Leia as instruções de aviso que se seguem antes de utilizar o produto.

- Utilize luvas de proteção aprovadas quando montar o produto e o acessório de corte.
- Remova a cobertura da vela de ignição antes de montar o produto.
- Antes de utilizar o produto, certifique-se de que a barra de direção e a proteção do acessório de corte instaladas são as adequadas.
- Uma proteção do acessório de corte incorreta ou danificada pode causar ferimentos. Não utilize um acessório de corte sem que esteja montada a respetiva proteção do acessório de corte aprovada.
- Antes de ligar o produto, fixe corretamente a cobertura da embraiagem e o eixo.
- O acionador e o flange de apoio têm de encaixar corretamente no orifício central do acessório de corte. Um acessório de corte ligado incorretamente pode causar ferimentos ou morte.
- Fixe a correia ao produto para evitar ferimentos no utilizador ou noutras pessoas.

Instruções de segurança para funcionamento

- Certifique-se de que o produto está totalmente montado antes de o utilizar.
- Antes de começar, desloque o produto a uma distância de 3 m da posição onde abasteceu o depósito de combustível. Coloque o produto numa superfície plana. Certifique-se de que o acessório de corte não toca no solo ou noutros objetos.
- O produto pode causar a projeção de objetos, o que pode causar danos nos olhos. Utilize sempre uma proteção ocular aprovada quando operar o produto.
- Tenha cuidado, uma criança pode aproximar-se do produto sem o seu conhecimento durante o funcionamento.
- Não opere o produto se houver pessoas na área de trabalho. Pare o produto se uma pessoa for para a área de trabalho.
- Certifique-se de que está sempre em controlo do produto.

- Não utilize o produto se não puder receber ajuda em caso de acidente. Certifique-se sempre de que outras pessoas sabem que irá operar o produto antes de começar.
- Não vire com o produto antes de se certificar de que não há pessoas ou animais na área de segurança.
- Remova todos os materiais indesejados da área de trabalho antes de começar. Se o acessório de corte atingir um objeto, este pode ser projetado e causar ferimentos ou danos. Os materiais indesejados podem enrolar-se à volta do acessório de corte e causar danos.
- Não utilize o produto em más condições meteorológicas (nevoeiro, chuva, ventos fortes, risco de relâmpagos ou outras condições meteorológicas). Podem ocorrer condições perigosas (tais como superfícies escorregadias) devido a más condições meteorológicas.
- Certifique-se de que pode mover-se livremente e trabalhar numa posição estável.



- Certifique-se de que não pode cair quando utilizar o produto. Não se incline quando operar o produto.
- Segure sempre o produto com ambas as mãos. Mantenha o produto do lado direito do seu corpo.



- Opere o produto com o acessório de corte abaixo da cintura.
- Se o controlo do estrangulador estiver na posição do estrangulador quando o motor arranca, o acessório de corte começa a rodar.
- Não toque na engrenagem cônica depois de o motor parar. A engrenagem cônica está quente depois de o motor parar. As áreas quentes podem causar ferimentos.
- Pare o motor antes de mover o produto.
- Não pouse o produto com o motor ligado.
- Antes de remover os materiais indesejados do produto, pare o motor e aguarde que o acessório de

corde pare. Deixe o acessório de corte parar antes de o material cortado ser retirado por si ou por um ajudante.

Equipamento de proteção pessoal



ATENÇÃO: Leia as instruções de aviso que se seguem antes de utilizar o produto.

- Utilize sempre equipamento de proteção pessoal adequado quando operar o produto. O equipamento de proteção pessoal não elimina o risco de ferimentos. O equipamento de proteção pessoal diminui a gravidade dos ferimentos em caso de acidente.
- Utilize sempre uma proteção ocular aprovada enquanto opera o produto.
- Não opere o produto com os pés descalços ou com calçado aberto. Use sempre botas antiderrapantes resistentes.
- Use calças compridas e resistentes.
- Se for necessário, use luvas de proteção aprovadas.
- Use um capacete caso haja possibilidade de objetos caírem na sua cabeça.
- Utilize sempre proteção auditiva aprovada enquanto opera o produto. A exposição prolongada a ruído pode causar perda da capacidade auditiva.
- Certifique-se de que tem um kit de primeiros socorros por perto.

Dispositivos de proteção no produto

- Certifique-se de que realiza regularmente tarefas de manutenção do produto.

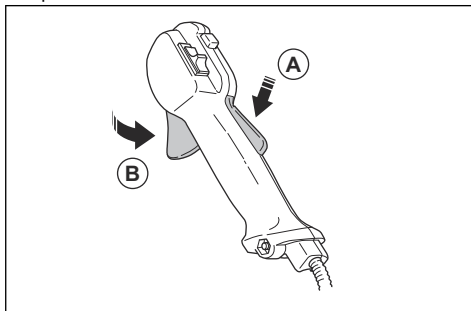
- A vida útil do produto é aumentada.
- O risco de acidentes é reduzido.

Leve regularmente o produto a um concessionário autorizado ou a um centro de assistência autorizado para que o examinem e realizem ajustes ou reparações.

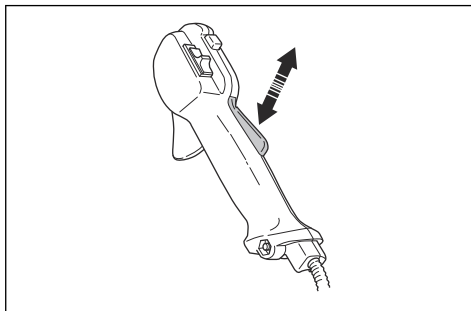
- Não utilize o produto com equipamento de proteção danificado. Se o produto estiver danificado, fale com um centro de assistência autorizado.

Verificar o bloqueio do acelerador

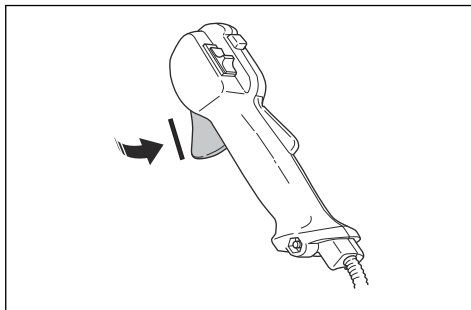
1. Certifique-se de que o bloqueio do acelerador (A) e o respetivo acelerador (B) se movem livremente e que a mola de retorno funciona corretamente.



2. Pressione o bloqueio do acelerador e certifique-se de que este regressa à sua posição inicial quando libertado.



3. Quando soltar o bloqueio do acelerador, certifique-se de que o acelerador está bloqueado na posição de ralenti.



4. Ligue o produto e aplique a aceleração total.
5. Solte o acelerador e certifique-se de que o acessório de corte para e permanece parado.

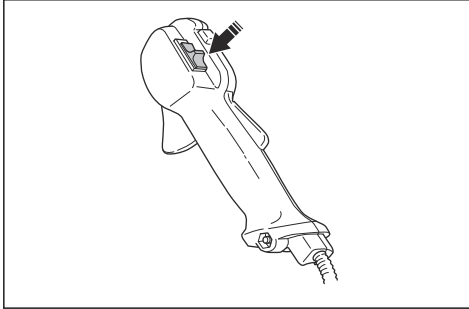


ATENÇÃO: Se o acessório de corte se mover com o acelerador na posição de ralenti, ajuste a velocidade ao ralenti

do carburador. Consulte *Ajustar o ralenti na página 98.*

Verificar o interruptor de paragem

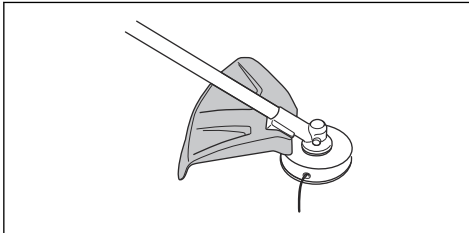
1. Ligue o motor.
2. Desloque o interruptor de paragem para a posição de paragem e certifique-se de que o motor para.



Verificar a proteção do acessório de corte

A proteção do equipamento de corte protege o operador dos objetos que são projetados na sua direção. Também evita ferimentos que ocorrem se tocar no acessório de corte.

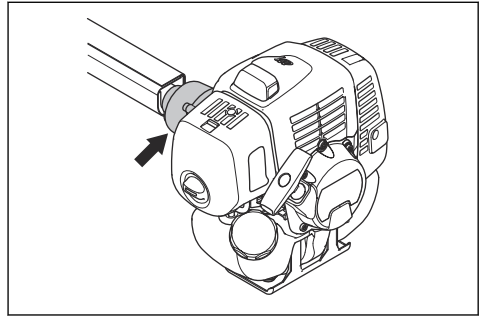
1. Desligue o motor.
2. Efetue uma inspeção visual para verificar se existem danos, como por exemplo fissuras.



3. Substitua a proteção do equipamento de corte, caso esteja danificada.

Verificar o sistema antivibração

O sistema antivibração diminui as vibrações nos punhos para um mínimo que torna o funcionamento mais fácil.



1. Desligue o motor.
2. Efetue uma inspeção visual para verificar se existem deformações e danos, como, por exemplo, fissuras.
3. Certifique-se de que os elementos do sistema antivibração estão corretamente montados.

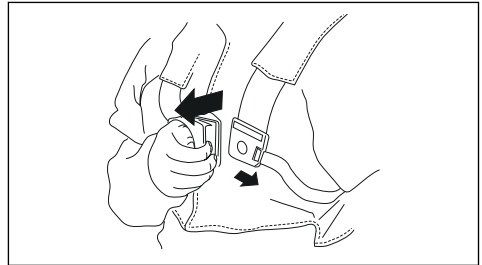
Verificar o mecanismo de desengate rápido



ATENÇÃO: Não utilize uma correia com um mecanismo de desengate rápido que não funcione corretamente.

O mecanismo de desengate rápido permite que o utilizador retire o produto rapidamente da correia em caso de emergência.

1. Desligue o motor.
2. Efetue uma inspeção visual para verificar se existem danos, como por exemplo fissuras.
3. Liberte e volte a encaixar o mecanismo de desengate rápido para se certificar de que está a funcionar corretamente.



Verificar o silenciador

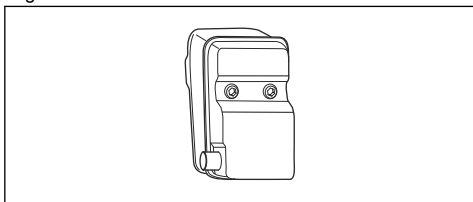


ATENÇÃO: Nunca utilize um produto com um silenciador defeituoso.

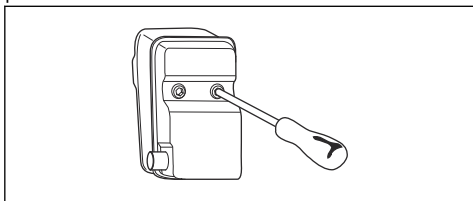


ATENÇÃO: Tenha em atenção que os gases de escape do motor são quentes e podem conter faíscas causadoras de incêndios. Nunca ligue o produto em interiores ou nas proximidades de material inflamável!

O silenciador mantém o mais baixo nível de ruído possível e afasta os gases de escape do utilizador. Para silenciadores, é muito importante que as instruções de verificação, manutenção e assistência do produto sejam seguidas.



Verifique regularmente se o silenciador está fixado ao produto.



Fixar e remover a porca de fixação

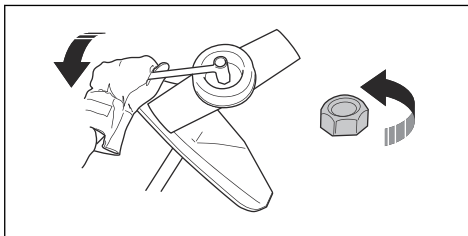


ATENÇÃO: Pare o motor, use luvas de proteção e tenha cuidado junto às extremidades afiadas do acessório de corte.

Uma porca de fixação é utilizada para bloquear alguns tipos de acessórios de corte. A porca de fixação tem uma rosca à esquerda.

- Para fixar, aperte a porca de fixação no sentido oposto ao sentido de rotação do acessório de corte.
- Para remover a porca de fixação, desaperte-a no sentido da rotação do acessório de corte.

- Para desapertar e apertar a porca de fixação, utilize uma chave de caixa com um eixo longo. A seta na imagem mostra a área em que pode utilizar a chave de caixa.



ATENÇÃO: Ao desapertar ou apertar a porca de fixação, existe um risco de ferimentos causados pela lâmina. Quando realizar esta operação, certifique-se sempre de que a proteção da lâmina protege a sua mão de ferimentos.

Nota: Certifique-se de que não pode rodar a porca de fixação com a mão. Substitua a porca, se o revestimento de nylon não tiver uma resistência de, no mínimo, 1,5 Nm. A porca de fixação tem de ser substituída depois de ser apertada cerca de 10 vezes.

Equipamento de corte

Escolher e manter o equipamento de corte para:

- Obter o máximo rendimento de corte.
- Aumentar a vida útil do equipamento de corte.
- Cumpra as instruções de verificação, manutenção e assistência técnica do silenciador.
- Utilize sempre a proteção recomendada para o equipamento de corte. Consulte as Especificações técnicas.



ATENÇÃO: Use somente o equipamento de corte junto com a proteção recomendada! Consulte o capítulo de Especificações Técnicas. Consulte as instruções do acessório de corte para verificar a forma correta de carregar a linha do aparador e o respetivo diâmetro correto.



ATENÇÃO: Um equipamento de corte incorrecto pode aumentar o risco de acidentes.

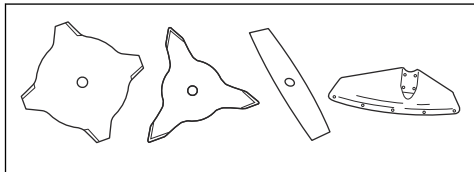


ATENÇÃO: pare sempre o motor antes de trabalhar no equipamento de corte. Este continua a girar mesmo depois de se soltar o acelerador. Certifique-se de que o acessório de corte parou completamente e

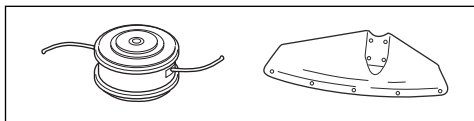
retire a cobertura da vela de ignição antes de começar qualquer trabalho.

Equipamento de corte

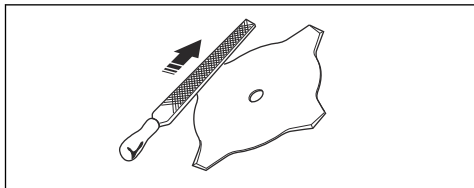
- Utilize as lâminas e lâminas para relva para cortar relva espessa.



- Utilize a cabeça do aparador para cortar a relva.



- Uma lâmina mal afiada ou danificada aumenta o risco de acidente. Mantenha sempre os dentes de corte da lâmina bem afiados. Siga as instruções em *Manutenção na página 97* e utilize o calibrador de lima recomendado.

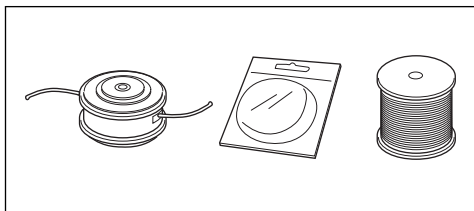


- Verifique se o acessório de corte apresenta danos e fissuras. Substitua o acessório de corte danificado.
- Utilize apenas acessórios de corte com as respectivas proteções recomendadas. Consulte *Acessórios na página 104*.

Cabeça do aparador



ATENÇÃO: Certifique-se sempre de que a linha do aparador é enrolada firme e uniformemente à volta do tambor, para evitar a ocorrência de vibrações prejudiciais.



- Utilize apenas acessórios de corte recomendados.

- O comprimento da linha do aparador é importante. Para uma linha do aparador mais longa, é necessário obter mais potência do motor do que para uma linha do aparador mais curta do mesmo diâmetro.
- Não desloque a posição de instalação da proteção do aparador.
- Certifique-se de que a lâmina da proteção do aparador não está danificada. A lâmina corta a linha do aparador com o comprimento correto.
- Embeba a linha do aparador em água durante 2 dias antes da utilização para aumentar a vida útil.

Lâminas e cortadoras de relva

- Utilize o produto com uma lâmina de relva aprovada. Não utilize uma lâmina de relva sem instalar adequadamente todas as peças necessárias. Certifique-se de que a instalação é feita corretamente e que são utilizadas as peças adequadas. Uma instalação incorreta pode fazer com que a lâmina se desprenda e cause ferimentos graves ao operador ou a terceiros.
- Use luvas de proteção quando manusear ou realizar tarefas de manutenção na lâmina.
- Utilize proteção para a cabeça quando utilizar um produto com uma lâmina de relva.
- As lâminas e as cortadoras de relva são utilizadas para cortar relva irregular.
- A lâmina de relva pode causar ferimentos se continuar a rodar depois de o motor ser desligado ou o acelerador ser libertado. Certifique-se de que a lâmina de relva parou completamente de rodar antes de realizar qualquer tarefa de manutenção.
- Pare o motor antes de realizar tarefas no acessório de corte. Certifique-se de que o acessório de corte para completamente. Remova o cabo da vela de ignição.
- Utilize apenas um acessório de corte aprovado ou uma lâmina corretamente afiada.
- Mantenha sempre os dentes de corte da lâmina bem afiados.
- Não utilize um acessório de corte danificado.
- Fixe a proteção para transporte na lâmina de relva quando transportar ou armazenar o produto.

Arremesso da lâmina

- Um arremesso da lâmina é um movimento súbito do produto para o lado, para a frente ou para trás. O arremesso da lâmina ocorre quando a lâmina de relva atinge um objeto que não pode ser cortado. Nas zonas onde que não é fácil ver o material a cortar, o risco de arremesso da lâmina aumenta.
- Quando ocorre um arremesso da lâmina, existe o risco de o produto ou o operador mudar de posição. Uma lâmina que se desloque pode atingir terceiros e, por isso, existe o risco de causar ferimentos.
- Se uma lâmina estiver dobrada, apresentar fissuras, estiver partida ou danificada, elimine-a.

- Use uma lâmina afiada. O risco de arremesso da lâmina aumenta quando a lâmina não está afiada.

Segurança no manuseamento do combustível

- Não ligue o produto se houver combustível ou óleo do motor sobre o produto. Remova o combustível/ óleo indesejado e deixe o produto secar. Remova o combustível indesejado do produto.
- Se derramar combustível na sua roupa, troque de roupa imediatamente.
- Não deixe que o combustível entre em contacto com o seu corpo, pois pode causar ferimentos. Se o combustível entrar em contacto com o seu corpo, use sabão e água para o remover.
- Não ligue o motor se derramar óleo ou combustível no produto ou no seu corpo.
- Não ligue o produto se o motor tiver uma fuga. Examine regularmente o motor quanto a fugas.
- Tenha cuidado com o combustível. O combustível é inflamável e os gases são explosivos e podem causar ferimentos ou morte.
- Não respire os gases do combustível, podem causar ferimentos. Certifique-se de que existe um fluxo de ar suficiente.
- Não fume perto de combustível ou do motor.
- Não coloque objetos quentes perto do combustível ou do motor.
- Não acrescente combustível com o motor em funcionamento.
- Certifique-se de que o motor está frio antes de reabastecer.
- Antes de reabastecer, abra lentamente a tampa do depósito de combustível e liberte a pressão com cuidado.

- Não adicione combustível ao motor numa área interior. O fluxo de ar insuficiente pode causar ferimentos ou morte devido a asfixia ou monóxido de carbono.
- Aperte a tampa do depósito de combustível com cuidado ou pode ocorrer um incêndio.
- Desloque o produto a uma distância mínima de 3 m (10 pés) da posição onde abasteceu o depósito antes de começar.
- Não encha demasiado o depósito de combustível.
- Certifique-se de que não ocorrem fugas quando desloca o produto ou o recipiente de combustível.
- Não coloque o produto ou um recipiente de combustível onde houver uma chama aberta, faísca ou luz piloto. Certifique-se de que a área de armazenamento não contém uma chama aberta.
- Utilize apenas recipientes aprovados quando deslocar ou armazenar o combustível.
- Esvazie o depósito de combustível antes do armazenamento a longo prazo. Respeite a legislação local sobre a eliminação de combustível.
- Limpe o produto antes do armazenamento a longo prazo.
- Remova o cabo de vela de ignição antes de armazenar o produto, para se certificar de que o motor não arranca acidentalmente.

Instruções de segurança para manutenção

- Se não for possível ajustar o ralenti para parar o acessório de corte, fale com o seu centro de assistência. Não utilize o produto até este estar corretamente regulado ou reparado.

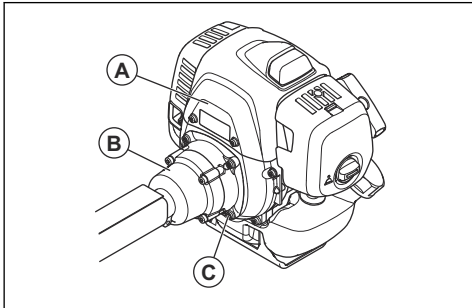
Montagem



ATENÇÃO: Leia o capítulo sobre segurança antes de montar o produto.

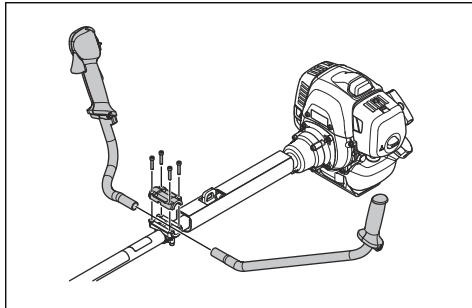
Instalar a estrutura do produto

- Fixe o motor (A) ao tubo (B) com 4 parafusos (C).

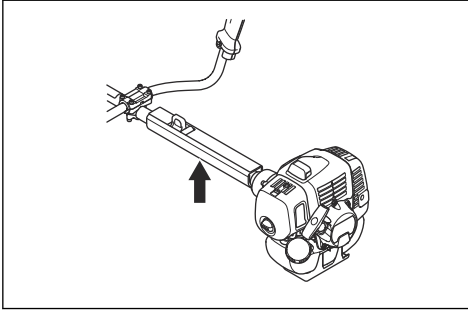


Instalar a barra de direção (531RS, 541RS)

1. Monte a barra de direção no grampo da barra de direção, sobre o eixo.

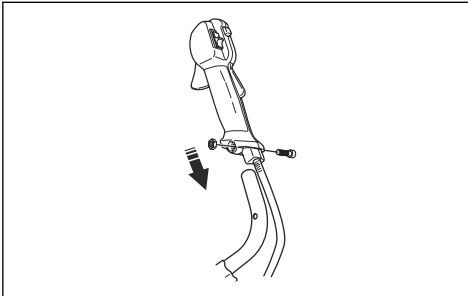


2. Instale a manga de proteção.

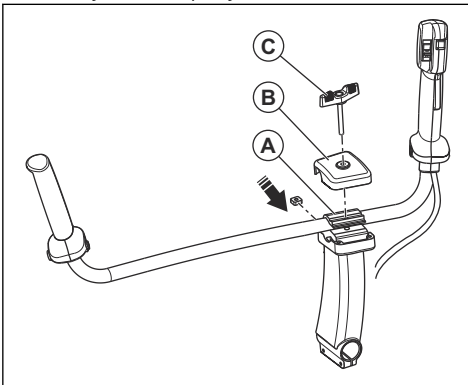


Instalar a barra de direção (541RST)

1. Retire o parafuso que se encontra atrás do punho do acelerador.



2. Instale o punho do acelerador na barra de direção do lado direito.
3. Alinhe o orifício que se encontra atrás do punho do acelerador com o orifício na barra de direção.
4. Passe o parafuso pelos orifícios. Aperte o parafuso.
5. Coloque o conjunto da barra de direção e a porca quadrada no suporte. Certifique-se de que a barra de direção está na posição correta.



6. Instale o grampo da barra de direção (A), a cobertura (B) e o botão (C).

7. Alinhe os orifícios para o parafuso do botão.
8. Aperte o botão para bloquear firmemente a barra de direção.

Instalar a correia

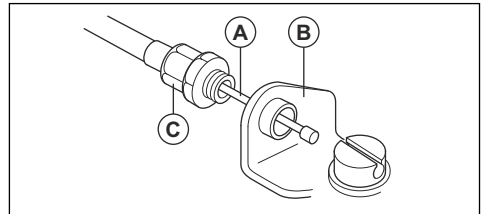
1. Coloque a correia e pendure o produto no ponto de suspensão.
2. Ajuste o punho para colocar o produto numa boa posição de trabalho.



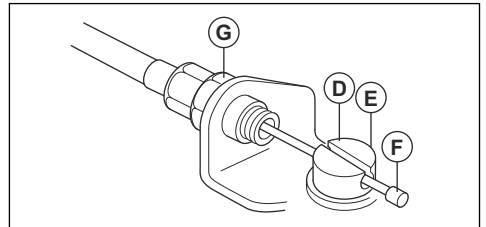
3. Aperte totalmente os parafusos.

Ligar o cabo do acelerador e os fios do cabo de paragem

1. Retire a cobertura do filtro de ar.
2. Instale o cabo do acelerador (A) através do suporte do carburador (B).

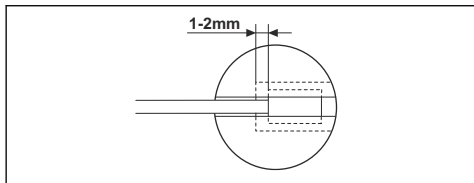


3. Rode a manga de ajuste do cabo (C) completamente no suporte do carburador.
4. Coloque a ranhura de encaixe (D) no carburador. Nesta altura, o orifício abaixado (E) do terminal do cabo (F) encontra-se afastado da manga de ajuste do cabo (C).

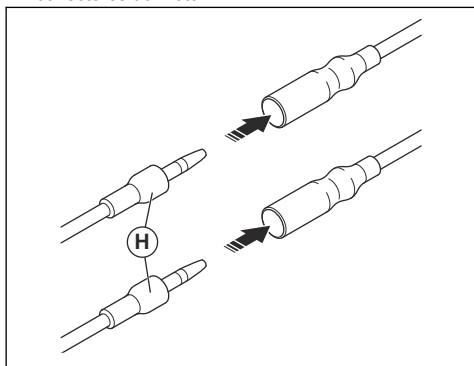


5. Rode o came do acelerador do carburador e deslize o cabo do acelerador (A) através da ranhura para a ranhura de encaixe.

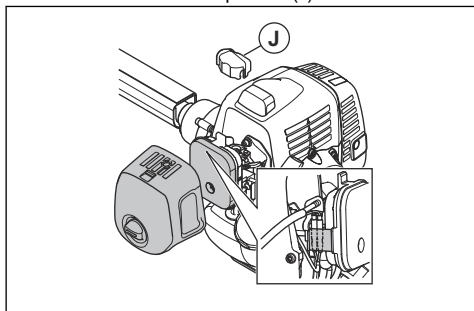
6. Certifique-se de que o terminal do cabo (F) encaixa no orifício rebaixado.
7. Utilize o acelerador algumas vezes para se certificar de que funciona corretamente.
8. Ajuste a manga de ajuste do cabo (C).
 - a) Certifique-se de que o batente do came do acelerador do carburador entra devidamente em contacto com o batente do acelerador.
 - b) Certifique-se de que a posição do cabo mantém uma distância de 1 a 2 mm entre o terminal do cabo (F) e a ranhura de encaixe quando o acelerador é totalmente libertado.



9. Se o cabo do acelerador (A) estiver ajustado corretamente, aperte a porca de fixação (G).
10. Ligue os fios do cabo de paragem (H) aos conectores do motor.



11. Instale a cobertura antipoeiras (J).



12. Instale a cobertura do filtro de ar.

Instalar lâminas e cabeças de aparador



ATENÇÃO: Utilize apenas a proteção aprovada para as lâminas. Consulte *Acessórios na página 104*. Uma proteção danificada pode provocar ferimentos.

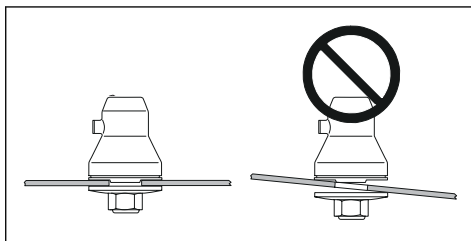


ATENÇÃO: Se utilizar o produto com uma lâmina para relva, instale primeiro a barra de direção, a proteção da lâmina e a correia corretas.



ATENÇÃO: A instalação incorreta das lâminas pode provocar ferimentos.

1. Certifique-se de que a secção elevada do acionador/flange de apoio encaixa corretamente no orifício central das lâminas.
2. Instale as lâminas.

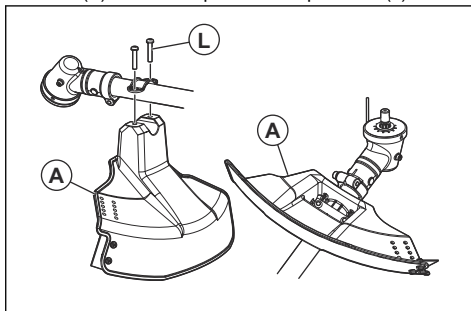


Instalar uma proteção da lâmina e uma lâmina para relva

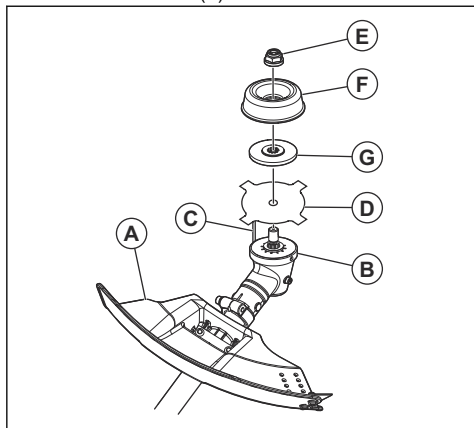


CUIDADO: Utilize apenas a proteção aprovada para as lâminas. Consulte *Acessórios na página 104*.

1. Fixe a proteção da lâmina/proteção do acessório de corte (A) ao eixo e aperte com o parafuso (L).



2. Instale o acionador (B) no eixo de saída.



3. Rode o eixo de saída até que um dos orifícios do acionador fique alinhado com o orifício correspondente na caixa de engrenagem.
4. Coloque o pino de bloqueio ou a chave Allen (C) no orifício para bloquear o eixo.
5. Coloque a lâmina (D), o flange de apoio (G) e o copo de apoio (F) no eixo de saída.
6. Instale a porca (E). Mantenha o eixo da chave junto à proteção da lâmina. Para apertar a porca, é necessário rodar a chave no sentido oposto ao sentido de rotação. Aperte a porca com um binário de 35–50 Nm/3,5–5 kgm.

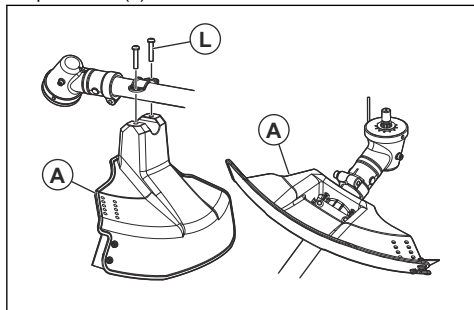
Nota: Rosca do lado esquerdo.

Fixar a proteção e a cabeça do aparador

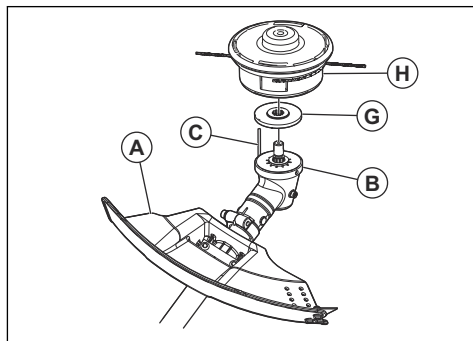


ATENÇÃO: Utilize a proteção do aparador correta para a cabeça do aparador correta.

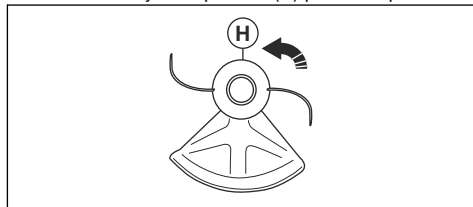
1. Fixe a proteção do aparador (A) ao eixo com os parafusos (L).



2. Fixe o acionador (B) e o flange de apoio (G) no eixo de saída.



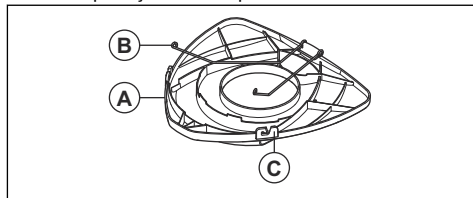
3. Rode o eixo de saída até que o orifício do acionador fique alinhado com o orifício na caixa de engrenagem.
4. Coloque o pino de bloqueio ou a chave Allen (C) no orifício para bloquear o eixo.
5. Rode a cabeça do aparador (H) para a esquerda.



6. Para desmontar, efetue o procedimento inverso.

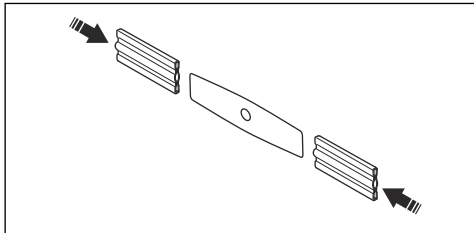
Instalar a proteção para transporte

1. Instale a lâmina na proteção para transporte (A).
2. Encaixe os dois fechos (B) nas ranhuras (C) para fixar a proteção de transporte.



Instalar a lâmina de 2 dentes na proteção

1. Insira a lâmina na proteção para transporte.



Ajustar a correia



ATENÇÃO: O produto tem de estar sempre bem fixo à correia. Não utilize uma correia danificada.

1. Coloque a correia.
2. Ligue o produto à correia.

3. Ajuste a correia para a melhor posição de trabalho.
4. Ajuste as alças laterais de forma a que o produto exerça o mesmo peso em cada ombro.



5. Ajuste a correia até o acessório de corte ficar paralelo ao solo.
6. Apoie ligeiramente o acessório de corte no solo. Ajuste o grampo da correia para equilibrar corretamente o produto.

Nota: Se utilizar uma lâmina para relva, tem de equilibrar o produto a cerca de 10 cm/4 pol. do solo.

Funcionamento



ATENÇÃO: Certifique-se de que lê e compreende o capítulo sobre segurança antes de operar o produto.



CUIDADO: Não utilize gasolina com chumbo. Caso contrário, pode causar danos no produto.

Combustível

Utilizar combustível



CUIDADO: Este produto tem um motor de dois tempos. Utilize uma mistura de gasolina e óleo de motor de dois tempos. Certifique-se de utilizar a quantidade correta de óleo na mistura. A relação incorreta de gasolina e óleo pode causar danos ao motor.

- Utilize sempre gasolina sem chumbo nova com um índice de octanas mínimo de 90 RON (87 AKI) e com menos de 10% de concentração de etanol (E10).
- Utilize gasolina com um índice de octanas superior se costumar utilizar o produto a uma velocidade do motor continuamente elevada.
- Utilize sempre uma mistura de gasolina sem chumbo/óleo de qualidade.

Óleo de motor de dois tempos

- Utilize apenas óleo do motor de dois tempos de elevada qualidade, especialmente o óleo de dois tempos HUSQVARNA. Utilize apenas o óleo de um motor refrigerado a ar.
- Proporção da mistura de 50:1 (2%).
- Um óleo de baixa qualidade e uma mistura de óleo/combustível demasiado rica podem diminuir a vida útil dos catalisadores.
- Fale com o seu revendedor quando selecionar um óleo.
- Se não houver óleo para motor de dois tempos Husqvarna disponível, pode utilizar outro óleo para motor de dois tempos de boa qualidade destinado a motores arrefecidos a ar. Consulte o seu revendedor ao selecionar o óleo.

Gasolina



CUIDADO: Não utilize gasolina com um índice de octanas inferior a 90 RON (87 AKI). Caso contrário, pode causar danos no produto.



CUIDADO: Não utilize gasolina com mais de 10% de concentração de etanol (E10). Caso contrário, pode causar danos no produto.

- Não utilize óleo para motor de dois tempos concebido para motores fora de borda arrefecidos a água. O óleo para motor de dois tempos é também denominado óleo para motores fora de borda.

Gasolina, litros	Óleo, litros
	2% (50:1)
5	0,1
10	0,2
15	0,3
20	0,4

Preparar a mistura de combustível

Nota: Utilize sempre um recipiente de combustível limpo quando misturar o combustível.

Nota: Não prepare uma quantidade de mistura de combustível para mais de 30 dias.

1. Adicione metade da quantidade de gasolina.
2. Adicione a quantidade total de óleo.
3. Agite a mistura de combustível para misturar o conteúdo.
4. Adicione a restante quantidade de gasolina.
5. Agite a mistura de combustível para misturar o conteúdo.
6. Encha o depósito de combustível.

Adicionar combustível



ATENÇÃO: Não fume nem coloque objetos quentes junto ao combustível. Antes de adicionar o combustível, desligue o motor e deixe-o arrefecer durante alguns minutos.



ATENÇÃO: Quando adicionar o combustível, abra a tampa do depósito de combustível lentamente para libertar a pressão indesejada.



ATENÇÃO: Após adicionar o combustível, aperte a tampa do depósito de combustível com cuidado. Afaste a máquina do local de abastecimento e da alimentação antes de ligar o motor.

- Use reservatórios de combustível com proteção contra enchimento excessivo.
- Certifique-se de que a área perto da tampa do depósito de combustível está limpa. A presença

de sujidade no depósito causa problemas de funcionamento.

- Agite o recipiente de combustível antes de adicionar a mistura de combustível ao depósito de combustível.

Ligar e desligar

Examinar antes de começar

1. Examine o produto quanto a peças em falta, danificadas, soltas ou desgastadas.
2. Examine as porcas e os parafusos.
3. Examine as lâminas.
4. Examine a porca de fixação. Certifique-se de que a porca de fixação tem uma força de fixação de, no mínimo, 1,5 Nm. Aperte a porca de fixação a 35-50 Nm.
5. Examine o filtro de ar.
6. Examine o bloqueio do acelerador e o acelerador.
7. Examine o interruptor de paragem.
8. Examine o produto quanto a fugas de combustível.

Arrancar com o motor frio



ATENÇÃO: Antes de ligar o produto, monte a cobertura da embraiagem, completa com o eixo. Uma embraiagem solta pode causar ferimentos. Use luvas.



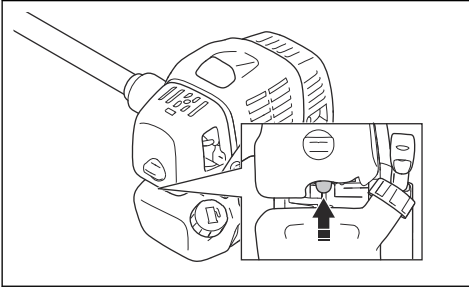
ATENÇÃO: Afaste o produto do local de abastecimento e da fonte de combustível. Coloque-o numa superfície plana. Certifique-se de que não existem objetos em contacto com o acessório de corte.



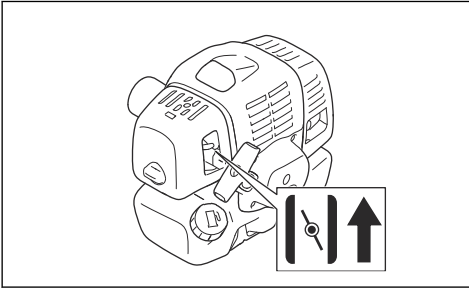
ATENÇÃO: Certifique-se de que não se encontram pessoas não autorizadas na área de trabalho. Caso contrário, existe risco de ferimentos graves. A distância de segurança é de 15 m.

1. Coloque o interruptor de paragem na posição de arranque.

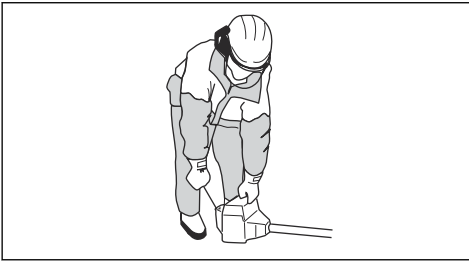
2. Pressione a ampola da purga de ar até o combustível começar a encher a ampola.



3. Desloque o controle do estrangulador para a posição de estrangular.



4. Segure o produto no solo. Puxe lentamente o cabo de arranque com a mão direita até sentir alguma resistência.



Nota: Não enrole o cabo de arranque na mão.



CUIDADO: Não puxe totalmente o cabo de arranque. Segure o punho do cabo de arranque quando estiver totalmente estendido. O não cumprimento destas instruções pode causar danos ao motor.

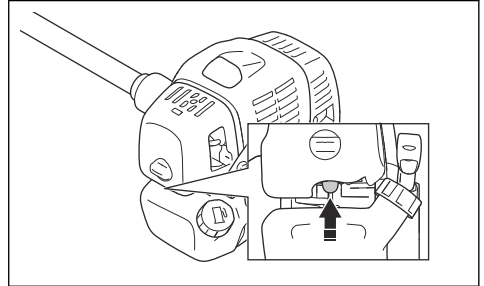
5. Puxe o cabo de arranque rapidamente e com força até ouvir o arranque do motor.
6. Coloque o controle do estrangulador na posição de arranque.



ATENÇÃO: Não toque na cobertura. Se a cobertura da vela de ignição estiver danificada, pode causar queimaduras na pele e provocar um choque elétrico. Não utilize um produto com uma cobertura da vela de ignição danificada.

Arrancar com o motor quente

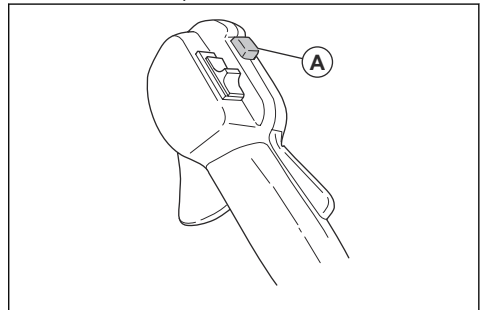
1. Coloque o interruptor de paragem na posição de arranque.
2. Pressione a ampola da purga de ar até o combustível começar a encher a ampola.



3. Coloque o controle do estrangulador na posição original e, em seguida, puxe o cabo de arranque até o motor arrancar.

Arranque com um punho do acelerador com um bloqueio de aceleração de arranque

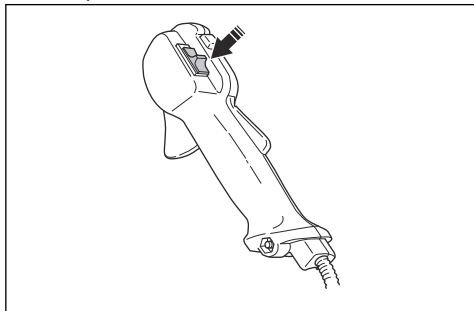
1. Empurre o bloqueio do acelerador e o acelerador para colocar o acelerador na posição de arranque. Prima o botão de aceleração de arranque (A).
2. Solte o bloqueio do acelerador e o acelerador, seguido do botão de aceleração de arranque. A função de aceleração está agora ativada.
3. Para voltar a colocar o motor ao ralenti, pressione novamente o bloqueio do acelerador e o acelerador.



Parar o motor

1. Empurre o interruptor do acelerador para a posição de ralenti.

2. Desloque o interruptor de paragem para a posição de stop.



Operar o aparador de relva



CUIDADO: Certifique-se de que abranda o motor ao ralenti após cada utilização. Um longo período em aceleração total sem carga no motor pode causar danos ao motor.

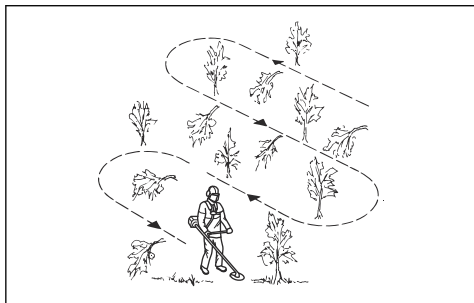
Nota: Limpe a tampa da cabeça do aparador quando montar uma nova linha do aparador para evitar vibrações. Examine outras peças da cabeça do aparador e limpe se necessário.

Instruções gerais de trabalho



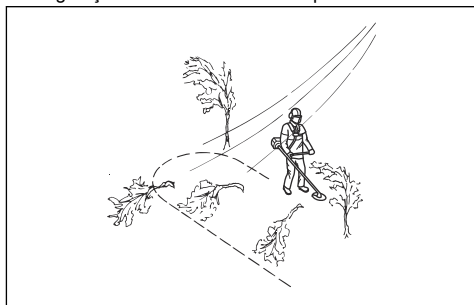
ATENÇÃO: Tenha cuidado ao cortar uma árvore que se encontra sob tensão. Pode voltar à sua posição normal antes ou depois do corte e atingi-lo a si ou ao produto, provocando ferimentos.

- Limpe uma área numa das extremidades da área de trabalho e comece o trabalho a partir daí.
- Desloque-se em padrões regulares ao longo da área de trabalho.



- Mova o produto totalmente para a esquerda e para a direita para limpar uma área de 4-5 m de cada vez.

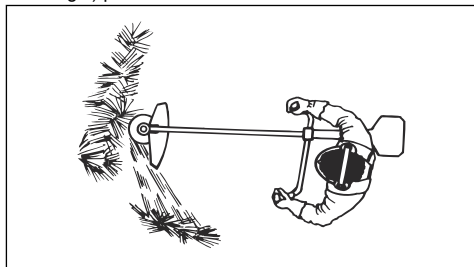
- Limpe uma área de 75 m antes de se virar e voltar atrás. Mova o recipiente de combustível juntamente consigo à medida que avança.
- Desloque-se numa direção em que não atravesse mais valas e obstáculos do que o necessário.
- Desloque numa direção em que o vento faça cair a vegetação cortada numa área limpa.



- Mova-se ao longo dos declives e não a subir e a descer.

Limpar a relva com uma lâmina de relva

1. Mantenha os pés afastados ao operar o produto. Certifique-se de que os pés estão bem assentes no solo.
2. Coloque cuidadosamente o copo de apoio no solo. Isto impede o contacto da lâmina com o solo.
3. Utilize um movimento lateral da direita para a esquerda para um corte limpo. Utilize o lado esquerdo da lâmina (entre as posições correspondentes às 8 e 12 horas dos ponteiros do relógio) para cortar.



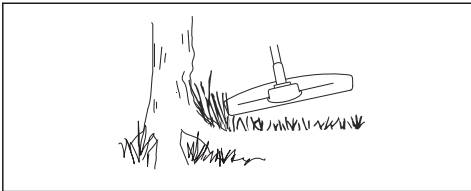
4. Incline a lâmina para a esquerda para limpar a relva.

Nota: A relva é recolhida facilmente em linha.

5. Utilize um movimento lateral da esquerda para a direita para o movimento de retorno.
6. Trabalhe com ritmo.
7. Desloque-se para a frente e mantenha os pés bem assentes no solo.
8. Desligue o motor.
9. Retire o produto do grampo na correia.
10. Coloque o produto no solo.

11. Recolha o material cortado.

Limpar

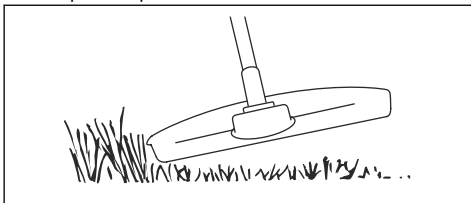


Para obter os melhores resultados:

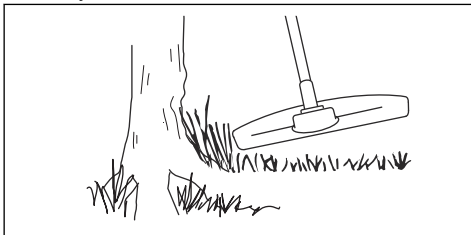
- Segure o aparador de modo a que a cabeça do aparador esteja ligeiramente acima do solo.
- Incline ligeiramente a cabeça do aparador.
- Permita que a extremidade da linha do aparador toque no solo à volta de objetos.

Aparar a relva

1. Mantenha a cabeça do aparador um pouco acima do solo a um determinado ângulo. Não empurre a linha do aparador para a relva.

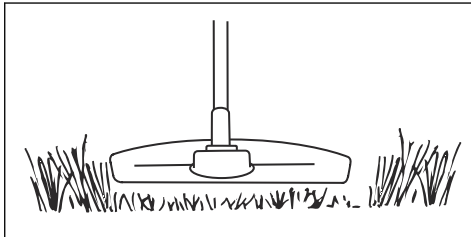


2. Reduza o comprimento da linha do aparador em 10-12 cm/4-4,75 pol.
3. Reduza a velocidade do motor para diminuir o risco de danos nas plantas.
4. Utilize 80% da aceleração quando cortar relva perto de objetos.

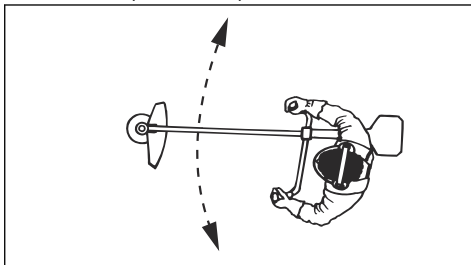


Cortar a relva

1. Certifique-se de que a linha do aparador está paralela ao solo quando cortar.



2. Não empurre a cabeça do aparador para o solo. O solo e o produto podem ser danificados.
3. Não deixe a cabeça do aparador tocar no solo continuamente; pode causar danos à cabeça do aparador.
4. Utilize a aceleração total quando deslocar o produto de um lado para o outro para cortar a relva.



Para aparar a relva

O fluxo de ar da linha do aparador a girar pode ser utilizado para remover a relva cortada de uma área.

1. Mantenha a cabeça e a linha do aparador paralelos ao solo e acima do solo.
2. Acelere ao máximo.
3. Mova a cabeça do aparador de um lado para o outro e apare a relva.



ATENÇÃO: Limpe a cobertura da cabeça do aparador sempre que instalar uma nova linha do aparador para evitar desequilíbrios e vibrações nos punhos. Efetue também uma verificação das outras peças da cabeça do aparador e limpe-as, se necessário.

Substituir a linha do aparador

Consulte a última página deste manual do utilizador.

Manutenção



ATENÇÃO: Certifique-se de que leu e compreendeu o capítulo sobre segurança

antes de limpar, reparar ou realizar tarefas de manutenção no produto.

Esquema de manutenção

Manutenção	Diariamente	Semanalmente	Mensalmente
Limpe a superfície externa.	X		
Verifique se a correia apresenta sinais de danos.	X		
Verifique o acelerador.	X		
Verifique se o acessório de corte não gira ao ralenti.	X		
Verifique o interruptor Stop. Consulte <i>Verificar o interruptor de paragem na página 85</i> .	X		
Examine a proteção do acessório de corte quanto a danos e fissuras.	X		
Certifique-se de que a lâmina para relva está alinhada com o centro. Certifique-se de que a lâmina para relva está afiada e que a lâmina ou o orifício central não se encontram danificados.	X		
Examine a cabeça do aparador quanto a danos e fissuras. Se existirem danos, substitua.	X		
Examine o punho e a barra de direção quanto à existência de danos e certifique-se de que estão ligados corretamente.	X		
Em acessórios de corte com um copo de apoio, aperte corretamente o parafuso de fixação.	X		
Em acessórios de corte com uma porca de fixação, aperte corretamente a porca de fixação.	X		
Examine a proteção para transporte quanto à existência de danos e certifique-se de que pode ser fixada corretamente.	X		
Examine o motor, o depósito de combustível e os tubos de combustível quanto a fugas.	X		
Limpe o filtro de ar. Substitua, se necessário.	X		
Aperte as porcas e os parafusos.	X		
Verifique o filtro de combustível quanto à existência de contaminação e a mangueira de combustível quanto a fissuras e outros danos. Substitua, se necessário.	X		
Examine todos os cabos e ligações.	X		
Verifique o dispositivo de arranque e o cabo de arranque quanto a danos.		X	
Examinar a vela de ignição. Consulte <i>Verificar a vela de ignição na página 100</i> .		X	
Certifique-se de que a engrenagem cônica contém $\frac{3}{4}$ do volume total de massa lubrificante.		X	
Limpe a superfície exterior do carburador e a área circundante.		X	

Manutenção	Diariamente	Semanalmente	Mensalmente
Limpe a vela de ignição. Remova a vela de ignição e efetue uma verificação da distância entre os elétrodos. Ajuste a distância entre os elétrodos ou substitua a vela de ignição, se necessário. Consulte <i>Especificações técnicas na página 102</i> . Certifique-se de que a vela de ignição está instalada com um supressor.		X	
Examine se a embraiagem, as molas da embraiagem e o tambor da embraiagem apresentam sinais de desgaste. Substitua, se necessário.			X
Substitua a vela de ignição. Certifique-se de que a vela de ignição está instalada com um supressor.			X
Lubrifique o eixo motriz.			X
Certifique-se de que as unidades antivibração não estão danificadas.		X	
Limpe o sistema de arrefecimento do produto.		X	
Limpe o silenciador.			X

Ajustar o carburador

As definições básicas do carburador são ajustadas durante os testes na fábrica. O ajuste tem de ser efetuado por um técnico com formação.

Verificar o silenciador



ATENÇÃO: Não utilize um produto com um silenciador danificado. Substitua sempre um silenciador danificado.



ATENÇÃO: Risco de queimaduras ou incêndio. Os silenciadores com catalisadores aquecem muito durante o funcionamento.



ATENÇÃO: Risco de incêndio. O silenciador reduz o nível de ruído e afasta os gases de escape do utilizador. Os gases de escape são quentes e podem conter faíscas.



CUIDADO: A rede retentora de faíscas tem de ser substituída se estiver danificada. Não utilize um produto se este não tiver uma rede retentora de faíscas ou se esta estiver danificada.



CUIDADO: Se a rede retentora de faíscas estiver bloqueada, o produto sobreaquece provocando danos no cilindro e no pistão.

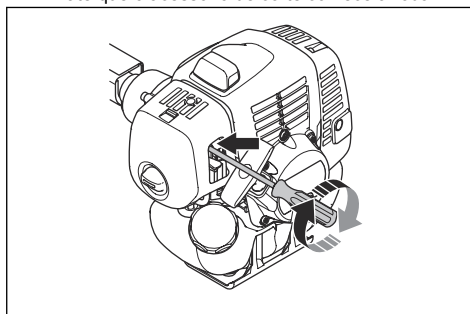
1. Certifique-se de que o silenciador não está danificado.

2. Certifique-se de que o silenciador está devidamente instalado no produto.

Ajustar o ralenti

O seu produto Husqvarna foi fabricado em conformidade com especificações que reduzem as emissões de gases prejudiciais.

1. Certifique-se de que o filtro de ar está limpo e que a cobertura do filtro de ar está montada antes de ajustar a velocidade de ralenti.
2. Ajuste o ralenti com o parafuso em T do ralenti, identificado com a marca "T".
 - a) Rode o parafuso em T do ralenti para a direita até que o acessório de corte comece a rodar.



- b) Rode o parafuso em T do ralenti para a esquerda até o acessório de corte parar e o ruído da embraiagem diminuir.



ATENÇÃO: Se o acessório de corte não parar quando ajusta o ralenti, contacte o seu revendedor de assistência. Não utilize o produto até que esteja devidamente ajustado ou reparado.

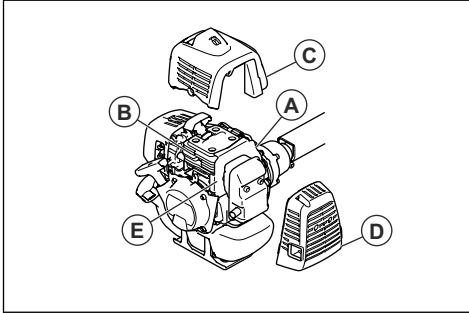
3. O ralenti está correto se o motor funcionar suavemente em todas as posições. O ralenti tem de ser inferior à velocidade quando o equipamento de corte começar a rodar.

Nota: Consulte *Especificações técnicas na página 102* para obter mais informações sobre o ralenti recomendado.

Sistema de arrefecimento

O produto tem um sistema de arrefecimento para manter a temperatura de funcionamento baixa.

O sistema de arrefecimento possui:



- Aletas do volante (A)
- Aletas de arrefecimento no cilindro (B)
- Cobertura do cilindro (C) (conduz o ar de arrefecimento ao cilindro)
- Cobertura do silenciador (D)
- Placa do silenciador (E)

Limpar o sistema de arrefecimento



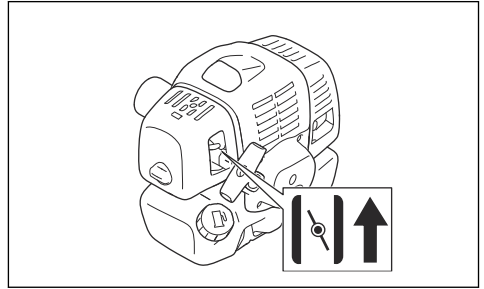
ATENÇÃO: Um sistema de arrefecimento sujo ou obstruído provoca sobreaquecimento. Esta situação provoca danos no pistão e no cilindro.

1. Limpe as peças do sistema de arrefecimento com uma escova pelo menos uma vez por semana.

Filtro de ar

- Limpe o filtro em intervalos de 25 horas. Se necessário, limpe-o mais frequentemente.

- Ponha o controlo do estrangulador na posição de estrangulação.



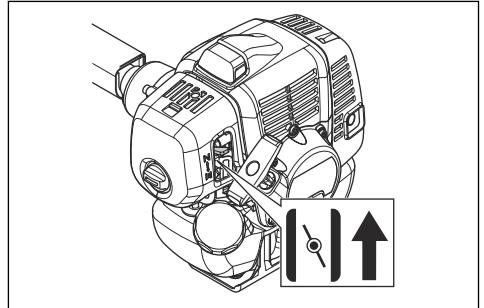
Limpar o filtro de ar



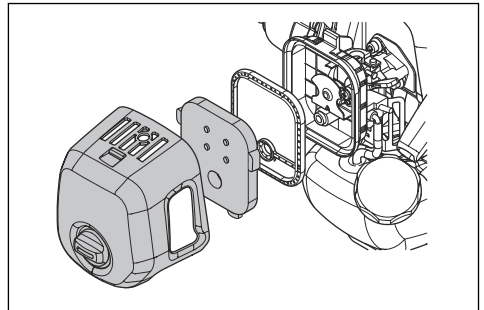
CUIDADO: Substitua sempre um filtro de ar que esteja danificado, muito sujo ou embebido em combustível.

Se utilizar um filtro de ar durante muito tempo, este não pode ser totalmente limpo. Substitua o filtro de ar por um filtro novo em intervalos regulares.

1. Feche a válvula do estrangulador.



2. Retire a cobertura do filtro de ar.



3. Retire o filtro de ar.
4. Limpe o filtro de ar com água quente com sabão.
5. Substitua o filtro de ar caso esteja demasiado sujo para o limpar totalmente. Substitua sempre um filtro de ar danificado.

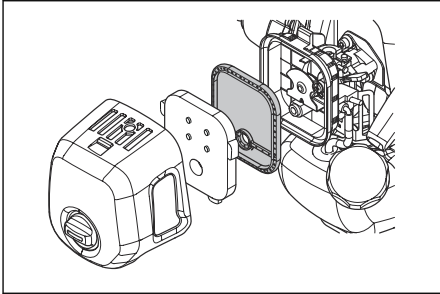
6. Limpe a superfície interior da cobertura do filtro de ar. Utilize ar ou uma escova.
7. Certifique-se de que o filtro de ar está seco antes de o instalar.

Filtro de feltro

- Bata cuidadosamente com o filtro de feltro na sua mão ou utilize ar comprimido para o limpar.

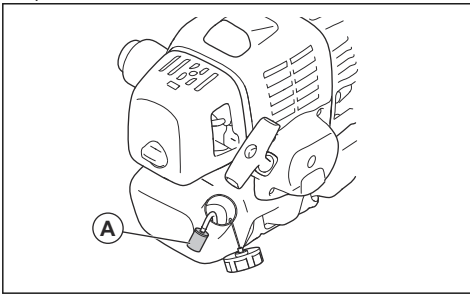


CUIDADO: Não utilize água para limpar o filtro de feltro. A água pode provocar danos no filtro de feltro.



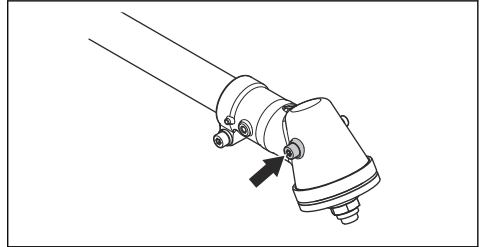
Filtro de combustível

Se a alimentação de combustível ao motor falhar, certifique-se de que a tampa do depósito de combustível e o filtro de combustível (A) não estão bloqueados.



Adicionar massa lubrificante à engrenagem cônica

- Certifique-se de que a engrenagem cônica apresenta $\frac{1}{4}$ do volume total de massa lubrificante.

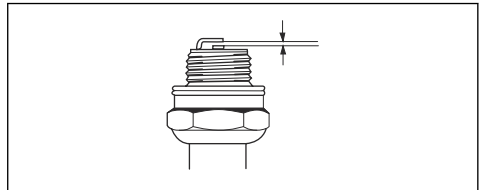


Verificar a vela de ignição



CUIDADO: Utilize sempre o tipo de vela de ignição recomendado. Um tipo de vela de ignição incorreto pode provocar danos no produto.

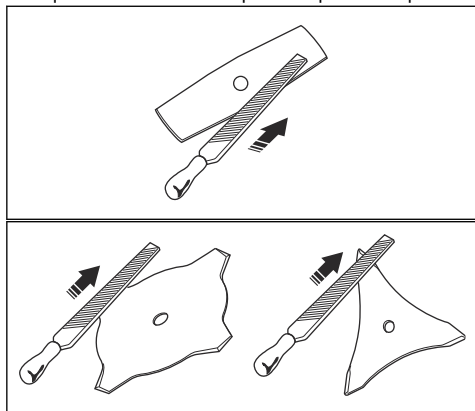
- Examine a vela de ignição para verificar se o motor apresenta uma potência reduzida ou dificuldades de arranque, ou se não funciona corretamente ao ralenti.
- Para diminuir o risco de materiais indesejados nos elétrodos da vela de ignição, siga estas instruções:
 - a) Assegure-se de que a rotação em vazio está corretamente regulada.
 - b) Certifique-se de que a mistura de combustível está correta.
 - c) Certifique-se de que o filtro de ar está limpo.
- Se a vela de ignição estiver suja, limpe-a e certifique-se de que a distância entre os elétrodos está correta; consulte *Especificações técnicas na página 102*.



- Se for necessário, substitua a vela de ignição.

Afiar as lâminas e as cortadoras de relva

- Afie todas as bordas das lâminas e das cortadoras de relva do mesmo modo, a fim de manter o equilíbrio. Use uma lima plana de picado simples.



Resolução de problemas

Resolução de problemas

Falha no arranque		
Verificação	Causa possível	Solução
Botão STOP	Posição de paragem	Leve o contacto de paragem à posição de arranque.
Prendedores de arranque	Prendedores de ligação	Ajuste ou substitua os prendedores.
		Limpe a área em redor dos prendedores.
		Contacte um revendedor com assistência técnica aprovado.
Depósito de combustível	Tipo de combustível errado.	Purgar e utilizar o combustível correto.
Carburador	Ajuste do ralenti.	Ajuste o ralenti com o parafuso em T.
Fáscia (ausência de faísca)	Vela de ignição suja ou molhada.	Certifique-se de que a vela de ignição está seca e limpa.
	Folga da vela de ignição incorreta.	Limpe a vela de ignição. Certifique-se de que a folga dos elétrodos é a correta. Certifique-se de que a vela de ignição está instalada com um supressor.
		Consulte as especificações técnicas para obter informações sobre a distância entre elétrodos.
Vela de ignição	Vela de ignição solta.	Aperte a vela de ignição.

Falha no arranque		
Verificação	Causa possível	Solução
Filtro de combustível	Filtro de combustível entupido.	Substitua o filtro de combustível.

O motor arranca mas não se mantém a trabalhar		
Verificação	Causa possível	Solução
Depósito de combustível	Tipo de combustível errado.	Purgar e utilizar o combustível correto.
Carburador	O motor não efetua corretamente o ralenti.	Contacte o seu revendedor com assistência técnica.
Filtro de ar	Filtro de ar entupido.	Limpe o filtro de ar.
Filtro de combustível	Filtro de combustível entupido.	Substitua o filtro de combustível.

Transporte e armazenamento

- Mantenha o equipamento seguro durante o transporte para evitar danos e acidentes.
- Mantenha o produto e o equipamento num local seco e à prova de geada.
- Limpe o produto.
- Substitua ou repare as peças danificadas.
- Utilize a cobertura de proteção correta no produto que não retenha a humidade.
- Mantenha o produto bem fixo durante o transporte.

Especificações técnicas

Especificações técnicas

	531RS	541RS	541RST
Motor			
Cilindrada, cm ³	33,6	41,5	41,5
Diâmetro do cilindro, Ø mm	36	40	40
Comprimento de curso do cilindro, mm	33	33	33
Velocidade de ralenti, mín. ⁻¹ (rpm)	2500±200	2500±200	2500±200
Rotação máxima recomendada, mín. ⁻¹ (rpm)	12 000	12 000	12 000
Velocidade do eixo de saída, mín. ⁻¹ (rpm)	8570	8570	8570

	531RS	541RS	541RST
Potência máx. do motor, de acordo com a norma ISO 8893, kW @ rpm, mín. ⁻¹ (rpm)	1,2/1,6 a 7000	1,6/2,1 a 7000	1,6/2,1 a 7000
Silenciador com catalisador	Não	Não	Não
Sistema de ignição			
Vela de ignição	NGK BPMR7A	NGK BPMR7A	NGK BPMR7A
Distância entre os eletrodos, mm	0,6–0,7	0,6–0,7	0,6–0,7
Sistema de lubrificação e combustível			
Capacidade do depósito de combustível, l	0,74	0,94	0,94
Peso			
Sem acessório nem proteção de corte, sem correia e com depósitos vazios, kg	7,2	7,4	7,6
Emissões de ruído ¹⁰			
Nível de potência sonora, medido, dB(A)	104	105	105
Nível de potência sonora, garantido L _{WA} dB(A)	109	109	109
Níveis sonoros ¹¹			
Nível de pressão sonora equivalente, ao nível do ouvido do utilizador, medido de acordo com as normas EN ISO 11806 e ISO 22868, dB(A).			
Equipado com cabeça do aparador (original)	90	94	94
Equipado com lâmina para relva (original)	89	95	95
Níveis de vibração ¹²			
Níveis de vibração equivalentes (a _{nv,eq}) nos punhos, medidos de acordo com as normas EN ISO 11806 e ISO 22867, m/s ²			
Equipado com cabeça do aparador (original), esquerda/direita	2,8/3,0	3,1/2,8	5,6/5,1
Equipado com lâmina para relva (original), esquerda/direita	4,2/4,0	4,5/5,0	7,1/6,3

¹⁰ Emissões de ruído para as imediações, medidas sob forma de potência sonora (L_{WA}) em conformidade com a diretiva da CE 2000/14/CE. O nível de potência sonora registado para a máquina foi medido com o equipamento de corte original que debita o nível mais alto. A diferença entre a potência sonora garantida e medida é que a potência sonora garantida inclui também a dispersão no resultado da medição e as variações entre diferentes máquinas do mesmo modelo, de acordo com a diretiva 2000/14/CE.

¹¹ Os dados comunicados relativamente ao nível de pressão sonora equivalente têm uma dispersão estatística típica (desvio padrão) de 3 dB(A).

¹² Os dados comunicados relativamente ao nível de vibração têm uma dispersão estatística típica (desvio padrão) de 1,5 m/s².

Acessórios

Acessórios

Acessórios aprovados	Tipo de acessório	Proteção para acessório de corte, art. n.º
Lâmina para relva/cortadora de relva	Multi 255-3 (Ø 255, 3 dentes)	584 40 42-01
	Multi 275-4 (Ø 275, 4 dentes)	584 40 42-01
	Multi 300-3 (Ø 300, 3 dentes)	584 40 42-01
	Multi 330-2 (Ø 330, 2 dentes)	584 40 42-01
Lâminas de plástico	Tricut Ø 300 mm (Lâminas separadas com número de série 531 01 77-15)	584 40 42-01
Cabeça do aparador	T35, T35X (cabo de Ø 2,4 - 3,0 mm)	584 40 42-01
	S35 (cabo com Ø 2,4 - 3,0 mm)	584 40 42-01
	T45, T45x (cabo de Ø 2,7 - 3,3 mm)	584 40 42-01
	T55x (cabo com Ø 2,7 - 3,3 mm)	584 40 42-01
	S II	584 40 42-01
Copo de apoio	Fixo	-

Declaração de conformidade

Declaração CE de conformidade



Nome da entidade emissora: A Husqvarna AB, SE-561 82 Huskvarna, Suécia, tel.: +46-36-146500.

A **Husqvarna AB** assume toda a responsabilidade pela seguinte declaração: Aparador e/ou roçadora a gasolina, plataforma(s) G34L e G43L, representando o(s) modelo(s) **Husqvarna531RS, 541RS e 541RST** a partir dos números de série de 2024 e posteriores. Os números da plataforma e do modelo estão claramente indicados, em texto simples, na etiqueta de tipo, juntamente com o ano e números de série subsequentes.

A declaração supracitada encontra-se em conformidade com os requisitos das Diretivas do Conselho:

- de 17 de maio de 2006 "referente a máquinas" **2006/42/CE.**
- de 26 de fevereiro de 2014, "referente à compatibilidade eletromagnética" **2014/30/UE.**
- de 8 de maio de 2000, "referente a emissões de ruído para o ambiente" **2000/14/CE.**
- de 8 de junho de 2011, relativa à "restrição do uso de determinadas substâncias perigosas" **2011/65/UE.**

Procedimento de avaliação da conformidade aplicado em conformidade com a Diretiva 2000/14/CE, Anexo V.

Para mais informações sobre as emissões de ruído, consulte *Especificações técnicas na página 102.*

Foram respeitadas as seguintes normas:

EN ISO 11806-1:2022, EN ISO 14982:2009, EN ISO 12100:2010, EN IEC 63000:2018

A TÜV Rheinland LGA Products GmbH, Tillystrasse 2, D-90431 Nuernberg, Alemanha, 0197, executou um controlo voluntário em nome da Husqvarna AB, de modo a fornecer o certificado AM 50609261(541RS, 541RST), AM 50609279(531RS) – Certificado de conformidade com a Diretiva 2006/42/CE do Conselho da CE referente a máquinas. Este certificado é aplicável a todos os locais de fabrico e países de origem, conforme indicado no produto. O aparador de relva e/ou a roçadora fornecidos estão em conformidade com o exemplo que foi examinado.

Husqvarna AB, Huskvarna, Suécia, 2024-01-15

Claes Losdal, gestor de I&D, Husqvarna AB

Responsável pela documentação técnica

Содержание

Введение.....	106	Транспортировка и хранение.....	129
Безопасность.....	108	Технические данные.....	129
Сборка.....	115	Принадлежности.....	131
Эксплуатация.....	119	Декларация соответствия.....	132
Техническое обслуживание.....	124	Приложение.....	208
Поиск и устранение неисправностей.....	128		

Введение

Описание изделия

Изделие представляет собой триммер/кусторез с двигателем внутреннего сгорания.

Мы постоянно совершенствуем свою продукцию с целью повысить вашу безопасность и эффективность во время работы. Для получения более подробной информации обратитесь к своему дилеру по обслуживанию.

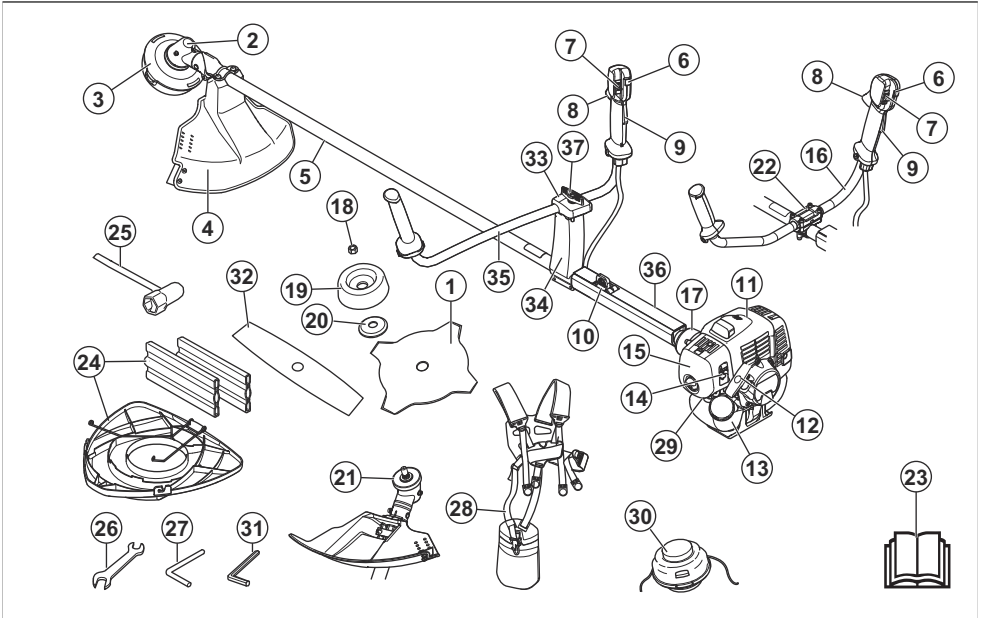
Назначение

Изделие предназначено для использования с лезвием для травы или головкой триммера

для скашивания различных типов растительности. Изделие разрешается использовать только для кошения травы и триммерной стрижки травы. Для стрижки травы используйте лезвие для травы или головку триммера.

Примечание: Использование может ограничиваться государственными или региональными нормативными требованиями. Соблюдайте действующие требования.

Обзор изделия



1. Нож (не для всех рынков)

2. Колпачок отверстия для заправки консистентной смазки, зубчатая передача

3. Зубчатая передача
4. Кожух режущего оборудования
5. Штанга
6. Кнопка пускового положения дроссельной заслонки
7. Выключатель
8. Регулятор дроссельной заслонки
9. Предохранитель курка газа
10. Петля для подвешивания
11. Крышка цилиндра
12. Ручка шнура стартера
13. Топливный бак
14. Рычажок воздушной заслонки
15. Кожух воздушного фильтра
16. Рукоятка (531RS, 541RS)
17. Кожух сцепления
18. Контргайка
19. Опорная чашка
20. Опорный фланец
21. Ведущий диск
22. Фиксатор рукоятки (531RS, 541RS)
23. Руководство по эксплуатации
24. Транспортно-ропочная защита (не для всех рынков)
25. Торцевой ключ
26. Гаечный ключ
27. Стопорный штифт (для изделий без шестигранного ключа)
28. Оснастка
29. Праймер
30. Триммерная головка (не для всех рынков)
31. Шестигранный ключ
32. Нож с 2 зубцами (не для всех рынков)
33. Кожух (541RST)
34. Кронштейн (541RST)
35. Рукоятка (541RST)
36. Защитная муфта
37. Регулятор (541RST)

Символы на изделии



ПРЕДУПРЕЖДЕНИЕ. Изделие может представлять опасность и стать причиной тяжелой травмы или смерти оператора или окружающих. Соблюдайте осторожность и правила эксплуатации изделия.



Перед началом работы внимательно прочитайте руководство по эксплуатации и убедитесь, что понимаете приведенные в нем инструкции.



Используйте защитный шлем в тех местах, где существует вероятность падения предметов. Используйте одобренные средства защиты глаз и органов слуха.



Максимальная частота вращения выходного вала.



Изделие может отбрасывать предметы, что может стать причиной травмы.



Люди и животные должны находиться на расстоянии не менее 15 м (50 футов) от работающего изделия.



Риск отскакивания ножа, если режущее оборудование касается предмета, который не разрезается мгновенно. При работе с изделием существует риск получения порезов. Люди и животные должны находиться на расстоянии не менее 15 м (50 футов) от работающего изделия.



Стрелками обозначены крайние положения рукоятки.



Воздушная заслонка.



Праймер.



Используйте одобренные защитные перчатки.



Надевайте защитные ботинки с нескользкой подошвой.



Эмиссия шума в окружающую среду согласно директиве Европейского сообщества. Уровень шума данного изделия приведен в разделе *Технические данные на стр. 129* и на табличке.

ууууwwxxxx

На паспортной табличке указан серийный номер. **уууу** означает год производства, **ww** — производственную неделю.

- ненадлежащий ремонт изделия;
- использование для ремонта изделия неоригинальных деталей или деталей, не одобренных производителем;
- использование неоригинальных дополнительных принадлежностей или принадлежностей, не одобренных производителем;
- ремонт изделия в неавторизованном сервисном центре или неквалифицированным специалистом.

Примечание: Остальные символы/наклейки на изделии отвечают требованиям, предъявляемым к сертификации в других коммерческих зонах.

Повреждение изделия

Мы не несем ответственности за повреждение изделия в следующих случаях:

Безопасность

Инструкции по технике безопасности

Ниже приведены определения уровня опасности для каждого сигнального слова.



ПРЕДУПРЕЖДЕНИЕ:
Травмирование человека.



ВНИМАНИЕ: Повреждение изделия.

Примечание: Эта информация поможет упростить эксплуатацию изделия.

Общие инструкции по технике безопасности



ПРЕДУПРЕЖДЕНИЕ: В обязательном порядке прочитайте следующие инструкции по технике безопасности, прежде чем приступать к эксплуатации изделия.

- Пользуйтесь изделием правильно. Неправильное использование может привести к травме или смертельному исходу. Изделие предназначено только для выполнения работ, описанных в данном руководстве. Запрещается использовать изделие для других видов работ.
- Соблюдайте инструкции, изложенные в данном руководстве. Обращайте внимание на знаки безопасности и следуйте инструкциям по технике безопасности. Несоблюдение оператором инструкций и знаков может привести к травме, повреждениям или смерти.
- Не выбрасывайте это руководство. Следуйте инструкциям по сборке, эксплуатации и уходу за изделием. Используйте эти инструкции для правильной установки насадок и дополнительных принадлежностей. Используйте только одобренные насадки и аксессуары.
- Не используйте поврежденное изделие. Соблюдайте график техобслуживания. Выполняйте самостоятельно только те работы по техобслуживанию, которые описаны в данном руководстве. Все другие работы по техобслуживанию должны выполняться авторизованным сервисным центром.
- В данное руководство невозможно включить все ситуации, которые могут возникнуть при использовании изделия. Будьте осторожны и руководствуйтесь здравым смыслом. Если вы не уверены в ситуации, не используйте изделие и не выполняйте его техобслуживание. Для получения необходимой информации обратитесь к специалисту по продукции, дилеру, специалисту по обслуживанию или в авторизованный сервисный центр.
- Отсоединяйте кабель свечи зажигания перед сборкой изделия, помещением его на хранение или проведением техобслуживания.
- Запрещается использовать изделие, если были изменены его исходные технические характеристики. Запрещено вносить изменения в конструкцию изделия без одобрения производителя. Используйте только рекомендованные производителем запчасти. Неправильное техобслуживание может привести к травме или смертельному исходу.
- Не вдыхайте выхлопные газы двигателя. Продолжительное вдыхание выхлопных газов двигателя опасно для здоровья.
- Запрещается запускать изделие в помещении или рядом с легковоспламеняющимися материалами. Выхлопные газы имеют высокую температуру и могут содержать искры, которые в свою очередь могут привести к пожару. Недостаточная вентиляция может привести к травме или смерти в результате удушья или отравления угарным газом.

- Во время работы вокруг двигателя создается электромагнитное поле. Электромагнитное поле может привести к повреждению медицинских имплантатов. Проконсультируйтесь с врачом и изготовителем имплантата перед использованием изделия.
- Не позволяйте детям использовать изделие. Не разрешайте пользоваться изделием людям, которые не знакомы с данными инструкциями.
- Не позволяйте людям с ограниченными физическими или умственными способностями пользоваться данным изделием без присмотра. Они должны постоянно находиться под присмотром взрослого.
- Запирайте изделие в месте, не доступном для детей и лиц, не допущенных к эксплуатации изделия.
- Во время работы изделие может отбрасывать находящиеся на земле предметы, что может привести к травме. Чтобы уменьшить риск получения серьезных или смертельных травм, соблюдайте инструкции по технике безопасности.
- Запрещается оставлять изделие с работающим двигателем без присмотра.
- При возникновении несчастного случая ответственность несет оператор изделия.
- Перед использованием изделия проверьте детали на отсутствие повреждений.
- Перед началом эксплуатации изделия убедитесь, что вы находитесь на расстоянии не менее 15 м (50 футов) от других людей или животных. Убедитесь, что находящиеся поблизости люди знают, что вы будете использовать изделие.
- Соблюдайте требования национальных или местных законов. В некоторых случаях они могут запрещать или ограничивать использование изделия.
- Ни в коем случае не используйте изделие, если вы устали или находитесь под воздействием спиртного, наркотических веществ или лекарственных препаратов. Они могут повлиять на ваше зрение, реакцию, координацию или оценку действительности.
- Перед началом работы с изделием убедитесь, что рукоятка и кожух режущего оборудования установлены правильно.
- Поврежденный или неподходящий кожух режущего оборудования может стать причиной травмы. Запрещается использовать режущее оборудование без одобренного кожуха.
- Перед запуском изделия правильно установите крышку сцепления и вал.
- Ведущий диск и опорный фланец должны быть правильно совмещены с центральным отверстием режущего оборудования. Неправильная установка режущего оборудования может привести к травме или смерти.
- Закрепите оснастку на изделии, чтобы предотвратить травмы оператора или других людей.

Инструкции по технике безопасности во время эксплуатации

- Прежде чем использовать изделие, убедитесь, что оно полностью собрано.
- Перед запуском уберите изделие на 3 м (10 футов) от места, в котором вы наполняли топливный бак. Положите изделие на ровную поверхность. Убедитесь, что режущее оборудование не касается грунта или других объектов.
- Изделие может отбрасывать находящиеся на земле предметы, что может причинить вред глазам. Всегда пользуйтесь одобренными средствами защиты глаз при использовании изделия.
- Будьте осторожны, во время работы к изделию может незаметно приблизиться ребенок.
- Не пользуйтесь изделием, если в рабочей зоне находятся другие люди. Выключайте изделие при входе другого человека в рабочую зону.
- Всегда держите изделие под контролем.
- Не пользуйтесь изделием, если вы не сможете получить помощь при несчастном случае. Прежде чем начать использовать изделие, всегда сообщайте об этом другим людям.
- Не поворачивайтесь с изделием, не убедившись в отсутствии людей или животных в опасной зоне.
- Перед началом работы уберите все посторонние материалы из рабочей зоны. При ударе режущего оборудования о предмет последний может отскочить и привести к травме или повреждению. Посторонние материалы могут намотаться на режущее оборудование и привести к повреждению.
- Запрещается пользоваться изделием в плохую погоду (при тумане, дожде, сильном ветре, опасности удара молнии и других погодных явлениях). Плохие погодные условия могут

Инструкции по технике безопасности во время сборки



ПРЕДУПРЕЖДЕНИЕ: В обязательном порядке прочитайте следующие инструкции по технике безопасности, прежде чем приступать к эксплуатации изделия.

- При сборке изделия и установке режущего оборудования всегда надевайте одобренные защитные перчатки.
- Перед сборкой изделия снимите колпачок со свечи зажигания.

создавать опасные условия для работы (например, скользкие поверхности).

- Убедитесь, что вы можете свободно перемещаться и работать в устойчивом положении.



- Убедитесь в отсутствии риска падения во время использования изделия. Запрещается наклоняться во время эксплуатации изделия.
- Всегда держите изделие двумя руками. Держите изделие с правой стороны от тела.



- Во время работы держите режущее оборудование ниже пояса.
- Если при запуске двигателя заслонка находится в закрытом положении, режущее оборудование начинает вращаться.
- Не прикасайтесь к зубчатой передаче после остановки двигателя. После остановки двигателя она имеет высокую температуру. Горячие поверхности могут стать причиной травм.
- Выключайте двигатель перед перемещением изделия.
- Запрещается класть изделие на землю с работающим двигателем.
- Чтобы очистить изделие от посторонних материалов, выключите двигатель и дождитесь полной остановки режущего оборудования. Дождитесь остановки режущего оборудования, прежде чем вы или ваш помощник уберет срезанный материал.

Средства индивидуальной защиты



ПРЕДУПРЕЖДЕНИЕ: В обязательном порядке прочитайте следующие инструкции по технике безопасности, прежде чем приступать к эксплуатации изделия.

- Всегда используйте соответствующее защитное снаряжение при эксплуатации изделия. Защитное снаряжение не исключает риск травмирования. Оно снижает тяжесть травмы при несчастном случае.
- Всегда пользуйтесь одобренными средствами защиты глаз при использовании изделия.
- При эксплуатации изделия запрещается быть босиком или носить открытую обувь. Всегда надевайте прочные нескользкие ботинки.
- Надевайте прочные длинные брюки.
- При необходимости используйте одобренные защитные перчатки.
- Надевайте шлем, если существует вероятность попадания объектов в голову.
- Всегда надевайте одобренные защитные наушники при использовании изделия. Длительное воздействие шума может привести к снижению слуха.
- Всегда имейте при себе аптечку для оказания первой медицинской помощи.

Защитные устройства на изделии

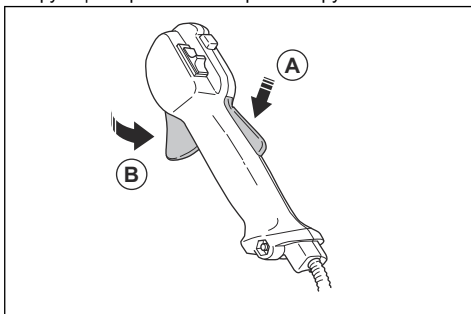
- Регулярно выполняйте техническое обслуживание изделия.
 - Повышается срок службы изделия.
 - Уменьшается риск несчастных случаев.

Ваш авторизованный дилер или сервисный центр должен регулярно проверять изделие и выполнять необходимую регулировку и ремонт.

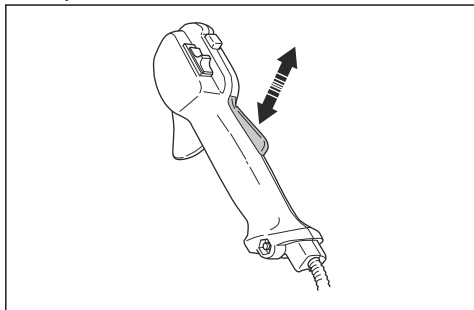
- Запрещается эксплуатировать изделие, если защитное оборудование повреждено. При повреждении изделия обращайтесь в авторизованный сервисный центр.

Проверка стопора рычага дросселя

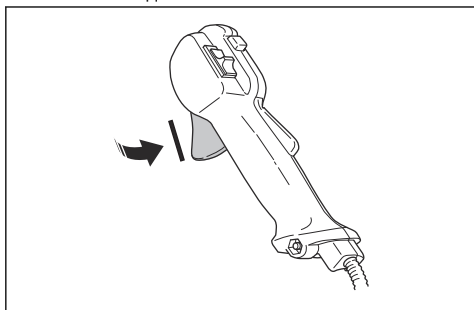
1. Проверьте плавность срабатывания рычага дросселя (B) и его стопора (A), а также функционирование возвратной пружины.



2. Нажмите на стопор рычага дросселя и убедитесь, что он возвращается в исходное положение при отпускании.



3. Убедитесь, что при отпускании стопора дроссельный регулятор блокируется в положении холостого хода.



4. Запустите изделие на полной мощности.
5. Отпустите дроссельный регулятор и убедитесь, что режущее оборудование останавливается и остается неподвижным.

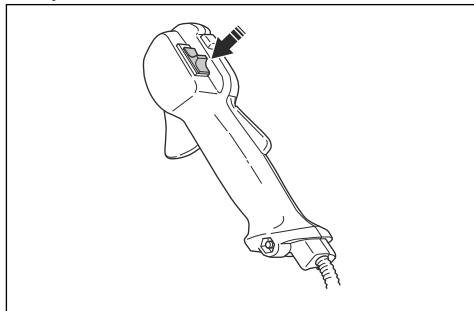


ПРЕДУПРЕЖДЕНИЕ: Если режущее оборудование движется, когда дроссельный регулятор находится в положении холостого хода, необходимо отрегулировать холостой ход карбюратора. См. раздел *Регулировка оборотов холостого хода* на стр. 125.

Проверка выключателя

1. Запустите двигатель.

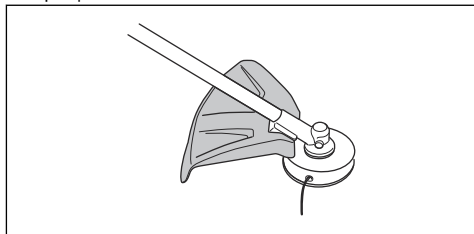
2. Переместите выключатель в положение останова и убедитесь, что двигатель останавливается.



Проверка щитка режущего оборудования

Щиток режущего оборудования предотвращает выброс предметов в сторону оператора. Он также позволяет избежать травм в случае соприкосновения оператора с режущим оборудованием.

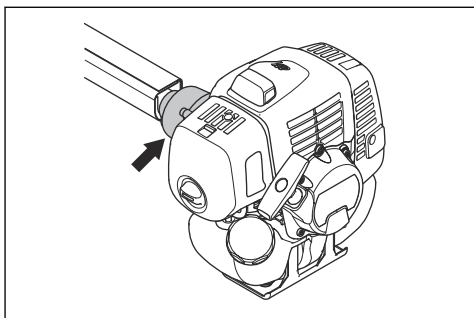
1. Остановите двигатель.
2. Осмотрите на наличие повреждений, например, трещин.



3. Если щиток режущего оборудования поврежден, замените его.

Проверка системы гашения вибрации

Система гашения вибрации снижает уровень вибрации на ручках до минимума, что упрощает работу.



1. Остановите двигатель.

- Осмотрите на наличие деформаций и повреждений, например, трещин.
- Убедитесь, что элементы системы гашения вибрации правильно закреплены.

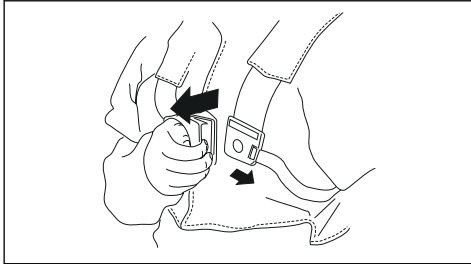
Проверка устройства быстрого расцепления



ПРЕДУПРЕЖДЕНИЕ: Не используйте оснастку с неисправным устройством быстрого расцепления.

Устройство быстрого расцепления позволяет оператору быстро снять изделие с оснастки в опасной ситуации.

- Остановите двигатель.
- Осмотрите на наличие повреждений, например трещин.
- Отсоедините и подсоедините устройство быстрого расцепления, чтобы проверить его исправность.



Проверка глушителя



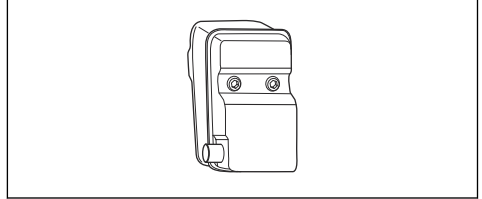
ПРЕДУПРЕЖДЕНИЕ: Ни в коем случае не пользуйтесь изделием с неисправным глушителем.



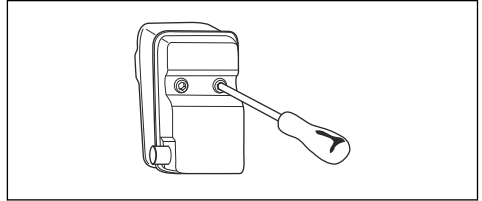
ПРЕДУПРЕЖДЕНИЕ: Помните, что выхлопные газы двигателя имеют высокую температуру и могут содержать искры, которые в свою очередь могут привести к пожару. Поэтому изделие ни в коем случае не следует

запускать в помещении или рядом с легковоспламеняющимися материалами!

Глушитель предназначен для максимального снижения уровня шума и отвода выхлопных газов в сторону от оператора. Для надлежащего функционирования глушителя крайне важно строго соблюдать инструкции по проверке изделия, уходу за ним и техническому обслуживанию.



Регулярно проверяйте надежность крепления глушителя к корпусу изделия.



Установка и снятие контргайки



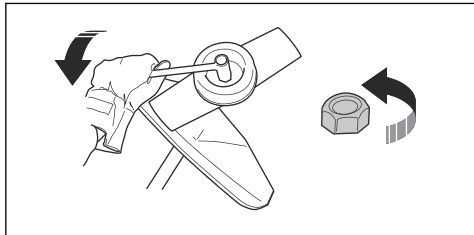
ПРЕДУПРЕЖДЕНИЕ:

Остановите двигатель, наденьте защитные перчатки и обращайтесь с острыми краями режущего оборудования с осторожностью.

На некоторых типах режущего оборудования для крепления используется контргайка. Контргайка имеет левостороннюю резьбу.

- При сборке следует затягивать контргайку против направления вращения режущего оборудования.
- При разборке необходимо поворачивать контргайку в направлении вращения режущего оборудования.

- Используйте торцевой ключ с длинной ручкой для ослабления и затягивания контргайки. На рисунке стрелкой показан участок, откуда вы можете управлять торцевым ключом.



ПРЕДУПРЕЖДЕНИЕ: При ослаблении и затягивании контргайки существует риск травмирования лезвием. При выполнении этих операций всегда обеспечивайте защиту рук, используя щиток ножа.

Примечание: Убедитесь, что вы не можете повернуть контргайку вручную. Замените гайку, если сопротивление нейлоновой прокладки не составляет минимум 1,5 Нм. Контргайку следует заменить после примерно 10-кратного использования.

Режущее оборудование

Правильный подбор и надлежащее обслуживание режущего оборудования позволяют:

- Достичь максимального эффекта при резке.
- Продлить срок службы режущего оборудования.
- Следуйте инструкциям по проверке, обслуживанию и ремонту глушителя.
- В обязательном порядке используйте рекомендованный для режущего оборудования щиток. См. раздел "Технические данные".



ПРЕДУПРЕЖДЕНИЕ:

Пользуйтесь режущим оборудованием только с рекомендованной защитой! См. раздел "Технические данные". См. инструкции по использованию режущего оборудования для правильной установки режущей лески и выбора правильного диаметра лески.



ПРЕДУПРЕЖДЕНИЕ:

Неисправное режущее оборудование увеличивает риск несчастных случаев.

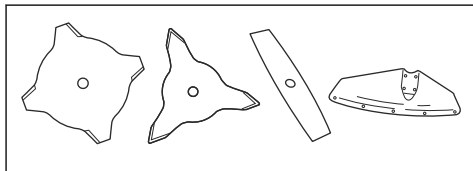


ПРЕДУПРЕЖДЕНИЕ: Всегда выключайте двигатель перед тем, как приступить к работе над какой-

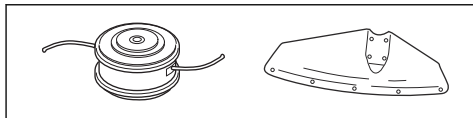
либо частью режущего оборудования. Оно продолжает вращаться даже при отпущенном дросселе. Убедитесь, что режущее оборудование полностью остановилось, и отсоедините колпачок свечи зажигания, прежде чем приступит к работе с ним.

Режущее оборудование

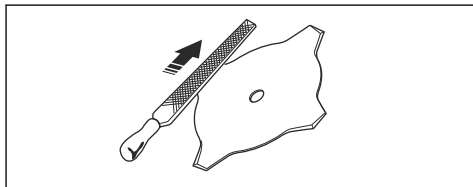
- Для стрижки густой травы используйте лезвия и ножи для травы.



- Для стрижки травы используйте головку триммера.



- Неправильно заточенный или поврежденный нож увеличивает риск несчастных случаев. Режущие зубья ножа должны быть правильно заточены. Точно следуйте инструкциям, приведенным в разделе *Техническое обслуживание на стр. 124*, и используйте рекомендованный шаблон для затачивания.



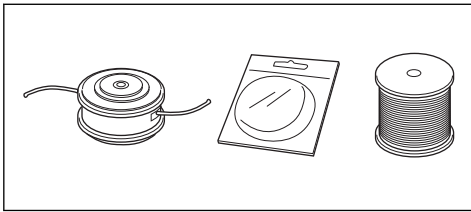
- Осмотрите режущее оборудование на наличие повреждений и трещин. Замените поврежденное режущее оборудование.
- Пользуйтесь режущим оборудованием только с рекомендованной защитой. См. раздел *Принадлежности на стр. 131*.

Головка триммера



ПРЕДУПРЕЖДЕНИЕ:

В обязательном порядке убедитесь, что режущая леска плотно и равномерно намотана на барабан во избежание вредной вибрации.



- Используйте только рекомендованное режущее оборудование.
- Крайне важна длина режущей лески. Для более длинной лески требуется больше мощности двигателя, чем для короткой лески такого же диаметра.
- Не изменяйте установочное положение щитка триммера.
- Убедитесь, что резчик на щитке триммера не поврежден. Резчик обрезает режущую леску до необходимой длины.
- Для продления срока службы режущей лески замочите ее на 2 дня перед использованием.

Лезвия и ножи для травы

- Используйте изделие с одобренным лезвием для травы. Запрещается использовать лезвие для травы, если все необходимые детали не установлены должным образом. Убедитесь, что установка выполнена правильно и используются соответствующие детали. Неправильная установка может привести к вылету ножа и серьезной травме оператора или находящегося рядом посторонних лиц.
- При работе с ножом или техническом обслуживании всегда надевайте защитные перчатки.
- При использовании изделия с лезвием для травы надевайте защитный шлем.
- Лезвие и нож для травы предназначены для выкашивания грубой травы.
- Нож для травы может стать причиной травмы, если он продолжает вращаться после остановки двигателя или отпускания рычага дросселя. Убедитесь, что нож для травы полностью остановился, прежде чем выполнять техническое обслуживание.
- Всегда выключайте двигатель, прежде чем приступить к работе с режущим оборудованием. Убедитесь, что режущее оборудование полностью остановилось. Отсоедините провод свечи зажигания.
- Используйте только одобренное режущее оборудование или правильно заточенный нож.
- Режущие зубья ножа должны быть правильно заточены.
- Не используйте поврежденное режущее оборудование.

- Перед транспортировкой или помещением изделия на хранение установите на лезвие для травы транспортировочный щиток.

Отскакивание ножа

- Отскакивание ножа — это резкое движение изделия в сторону, вперед или назад. Отскакивание происходит, когда лезвие для травы ударяется о предмет, не поддающийся резке. В местах, где затруднен обзор разрезаемого материала, риск отскакивания ножа возрастает.
- При отскакивании ножа существует риск смещения положения изделия или оператора. Движущийся нож может ударить стоящих рядом людей и стать причиной травм.
- Утилизируйте нож, если он деформирован, имеет трещины, сломан или поврежден.
- Пользуйтесь заточенным ножом. Риск отскакивания ножа возрастает при использовании незаточенного ножа.

Правила безопасного обращения с топливом

- Запрещается запускать изделие, если на него попало топливо или моторное масло. Удалите постороннее топливо/масло и дайте изделию высохнуть. Удалите постороннее топливо с поверхности изделия.
- Если топливо попало на одежду, немедленно смените ее.
- Не допускайте попадания топлива на тело, это может причинить вред здоровью. При попадании топлива на тело смойте его водой с мылом.
- Запрещается запускать двигатель, если вы пролили масло или топливо на изделие или тело.
- Запрещается запускать изделие при наличии утечки из двигателя. Регулярно проверяйте двигатель на наличие утечек.
- Соблюдайте осторожность при обращении с топливом. Топливо является легковоспламеняющейся жидкостью со взрывоопасными парами и может привести к серьезным или смертельным травмам.
- Запрещается вдыхать пары топлива, т. к. это может причинить вред здоровью. Убедитесь в наличии достаточного потока воздуха.
- Запрещается курить вблизи топлива или двигателя.
- Запрещается ставить теплые предметы рядом с топливом или двигателем.
- Запрещается доливать топливо при работающем двигателе.
- Прежде чем заправить изделие, убедитесь, что двигатель полностью остыл.
- Перед заправкой топлива медленно откройте крышку топливного бака и осторожно сбросьте давление.

- Запрещается заливать топливо в двигатель в помещении. Недостаточная вентиляция может привести к травме или смерти в результате удушья или отравления угарным газом.
- Аккуратно затяните крышку топливного бака во избежание возгорания.
- Переместите изделие минимум на 3 м (10 футов) от места заправки топливом, прежде чем запустить его.
- Не наливайте в топливный бак слишком много топлива.
- Убедитесь, что при перемещении изделия или емкости для топлива невозможно возникновение утечки.
- Запрещает размещать изделие или емкость для топлива вблизи открытого огня, искр или горящих фитилей. Убедитесь, что в месте хранения отсутствует открытый огонь.
- Используйте только одобренные емкости для переноски и хранения топлива.
- Сливайте топливо из топливного бака перед размещением изделия на длительное хранение. Соблюдайте требования местного законодательства в отношении места утилизации топлива.
- Очистите изделие, прежде чем поместить его на длительное хранение.
- Прежде чем поместить изделие на хранение, снимите кабель свечи зажигания во избежание случайного запуска двигателя.

Инструкции по безопасности во время технического обслуживания

- Если вы не можете отрегулировать скорость холостого хода для остановки режущего оборудования, обратитесь в сервисный центр. Запрещается пользоваться изделием, пока не будет выполнена точная регулировка или ремонт.

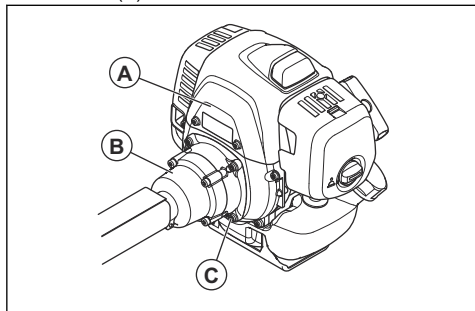
Сборка



ПРЕДУПРЕЖДЕНИЕ: Перед сборкой изделия ознакомьтесь с разделом безопасности.

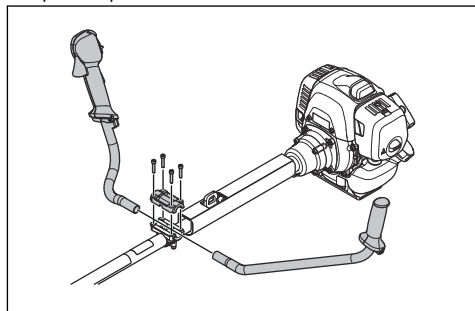
Сборка корпуса изделия

- Прикрепите двигатель (A) к трубке (B) с помощью 4 винтов (C).

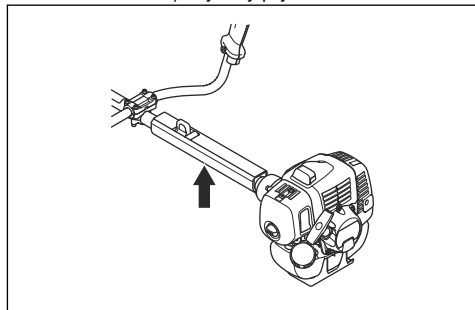


Установка рукоятки (531RS, 541RS)

1. Установите рукоятку в соответствующий фиксатор на штанге.

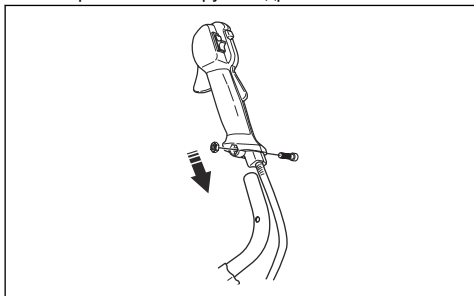


2. Установите защитную муфту.

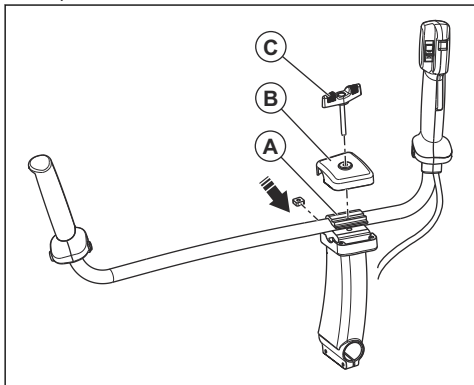


Установка рукоятки (541RST)

1. Отверните винт за ручкой дросселя.



2. Установите ручку дросселя в правую рукоятку.
3. Совместите отверстие за ручкой дросселя с отверстием в рукоятке.
4. Вставьте винт в отверстия. Затяните винт.
5. Установите рукоятку в сборе и квадратную гайку на кронштейн. Убедитесь, что рукоятка находится в правильном положении.



6. Установите фиксатор рукоятки (A), крышку (B) и регулятор (C).
7. Совместите отверстия под винт регулятора.
8. Затяните регулятор, чтобы надежно зафиксировать рукоятку.

Установка оснастки

1. Наденьте оснастку и подвесьте изделие за точку подвешивания.

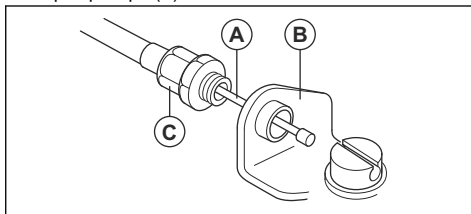
2. Отрегулируйте рукоятку для обеспечения подходящего рабочего положения.



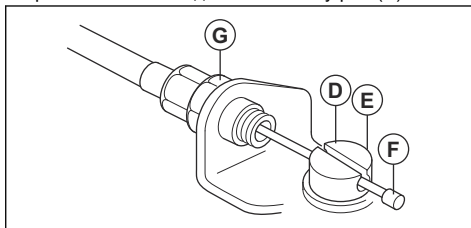
3. Полностью затяните винты.

Подключение троса дросселя и проводов выключателя

1. Снимите крышку воздушного фильтра.
2. Пропустите трос дросселя (A) через кронштейн карбюратора (B).

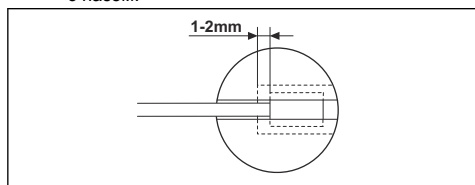


3. Установите соединительную муфту (C) полностью в кронштейн карбюратора.
4. Разместите фитинг с пазом (D) на карбюраторе. На этом этапе отверстие с пазом (E) для наконечника троса (F) должно находиться на расстоянии от соединительной муфты (C).

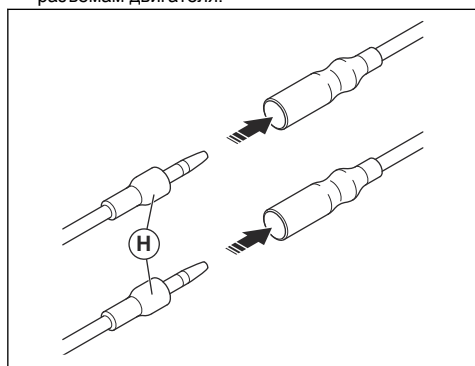


5. Поверните кулачок дросселя карбюратора и протяните трос дросселя (A) через паз в фитинге.
6. Убедитесь, что наконечник троса (F) входит в отверстие с пазом.
7. Несколько раз нажмите на рычаг дросселя, чтобы убедиться в его правильной работе.
8. Отрегулируйте соединительную муфту (C).

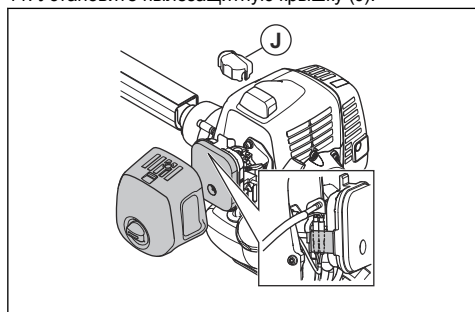
- a) Убедитесь, что стопор на кулачке дросселя карбюратора касается упора надлежащим образом.
- b) Убедитесь, что при полном отпускании рычага дросселя трос находится на расстоянии 1-2 мм между наконечником троса (F) и фитингом с пазом.



9. После правильной регулировки троса дросселя (A) затяните контргайку (G).
10. Подсоедините провода выключателя (H) к разъемам двигателя.



11. Установите пылезащитную крышку (J).



12. Установите крышку воздушного фильтра.

Установка ножей и триммерных головок



ПРЕДУПРЕЖДЕНИЕ:

Используйте только одобренный кожух для ножей. См. раздел *Принадлежности*

на стр. 131. Поврежденный кожух может стать причиной травм.



ПРЕДУПРЕЖДЕНИЕ:

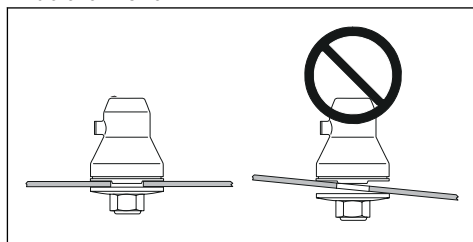
При использовании изделия с ножом для травы установите сначала соответствующую рукоятку, кожух ножа и оснастку.



ПРЕДУПРЕЖДЕНИЕ:

Неправильно установленные ножи могут стать причиной травмы.

1. Проверьте, что поднятая секция на ведущем диске/опорном фланце правильно вошла в центральное отверстие в ноже.
2. Установите ножи.

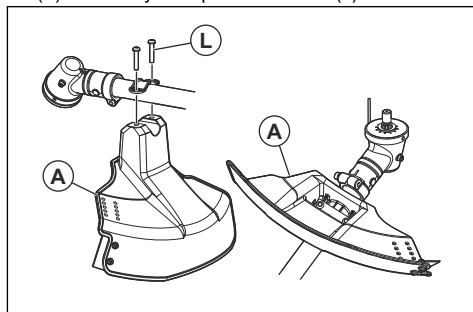


Установка кожуха ножа и ножа для травы

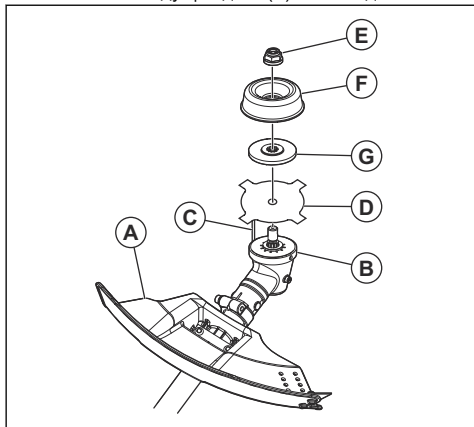


ВНИМАНИЕ: Используйте только одобренный кожух для ножей. См. раздел *Принадлежности на стр. 131.*

1. Установите кожух ножа / режущего оборудования (A) на штангу и закрепите болтом (L).



- Установите ведущий диск (В) на выходной вал.



- Поворачивайте выходной вал до тех пор, пока одно из отверстий ведущего диска не совместится с отверстием в корпусе редуктора.
- Вставьте стопорный штифт или шестигранный ключ (С) в отверстие, чтобы зафиксировать вал.
- Установите нож (D), опорный фланец (G) и опорную чашку (F) на выходной вал.
- Установите гайку (E). Держите ручку торцевого ключа рядом с кожухом ножа. Чтобы затянуть гайку, поворачивайте ключ в сторону, противоположную направлению вращения. Затяните гайку моментом 35–50 Н·м (3,5–5 кг·м).

Примечание: Левосторонняя резьба.

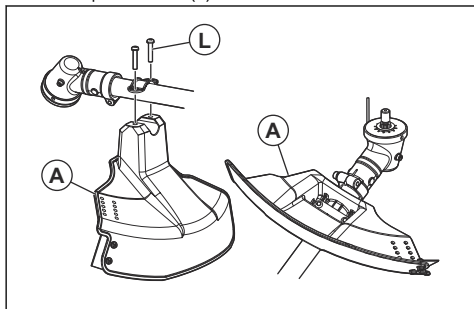
Крепление триммерного щитка и триммерной головки



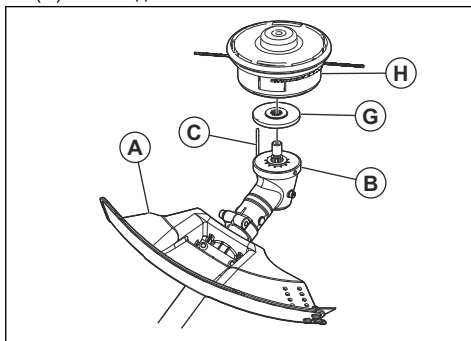
ПРЕДУПРЕЖДЕНИЕ:

Убедитесь, что вы используете триммерный щиток, соответствующий триммерной головке.

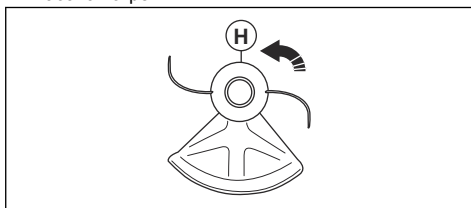
- Закрепите триммерный щиток (A) на штанге с помощью болтов (L).



- Установите ведущий диск (В) и опорный фланец (G) на выходной вал.



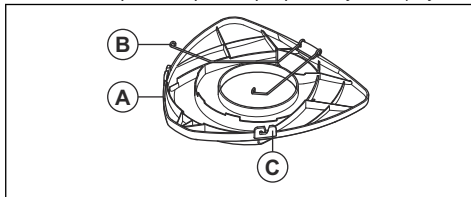
- Поворачивайте выходной вал до тех пор, пока отверстие ведущего диска не совместится с отверстием в корпусе редуктора.
- Вставьте стопорный штифт или шестигранный ключ (С) в отверстие, чтобы зафиксировать вал.
- Поверните триммерную головку (H) против часовой стрелки.



- Разборка выполняется в обратной последовательности.

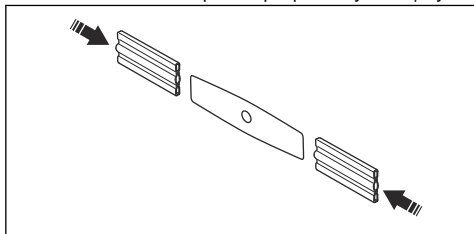
Установка транспортировочной защиты

- Установите лезвие в транспортировочную защиту (A).
- Зафиксируйте два замка (B) в фиксаторах (C), чтобы закрепить транспортировочную защиту.



Установка ножа с 2 зубцами в защиту

1. Установите нож в транспортировочную защиту.



Регулировка оснастки



ПРЕДУПРЕЖДЕНИЕ: Изделие всегда должно быть правильно закреплено на оснастке. Не используйте поврежденную оснастку.

1. Наденьте оснастку.
2. Подсоедините изделие к оснастке.
3. Отрегулируйте оснастку до оптимального рабочего положения.

4. Отрегулируйте боковые ремни таким образом, чтобы вес изделия равномерно распределялся по плечам.



5. Отрегулируйте положение оснастки таким образом, чтобы режущее оборудование находилось параллельно земле.
6. Режущее оборудование должно слегка касаться земли. Затем отрегулируйте фиксатор оснастки для правильного баланса изделия.

Примечание: При использовании ножа для травы сбалансированное положение должно находиться на высоте приблизительно 10 см (4 дюйма) над землей.

Эксплуатация



ПРЕДУПРЕЖДЕНИЕ: Перед началом эксплуатации изделия внимательно изучите раздел техники безопасности.



ВНИМАНИЕ: Запрещается использовать бензин с концентрацией этанола более 10% (E10). Это может привести к повреждению изделия.

Топливо

Использование топлива



ВНИМАНИЕ: Изделие оборудовано двухтактным двигателем. Используйте смесь бензина и масла для двухтактных двигателей. Убедись, что смесь содержит соответствующее количество масла. Неправильное соотношение бензина и масла может привести к повреждению двигателя.



ВНИМАНИЕ: Не используйте этилированный бензин. Это может привести к повреждению изделия.

Бензин



ВНИМАНИЕ: Не используйте бензин с октановым числом меньше 90 RON (87 AKI). Это может привести к повреждению изделия.

- Всегда используйте свежий неэтилированный бензин с минимальным октановым числом 90 RON (87 AKI) и концентрацией этанола менее 10% (E10).
- Используйте бензин с более высоким октановым числом, если изделие часто используется с постоянно высокой частотой оборотов двигателя.
- В обязательном порядке пользуйтесь смесью неэтилированного бензина/масла надлежащего качества.

Масло для двухтактных двигателей

- Используйте только высококачественное масло для двухтактных двигателей. Рекомендуется использовать масло HUSQVARNA для двухтактных двигателей. Используйте только масло для двигателей с воздушным охлаждением.
- Соотношение компонентов смеси 50:1 (2%).

- Низкокачественное масло и высокое соотношение масла/топлива могут сократить срок службы каталитических преобразователей.
- При выборе масла обратитесь к местному дилеру.
- Если у вас нет масла Husqvarna для двухтактных двигателей, вы можете использовать другое высококачественное масло для двухтактных двигателей с воздушным охлаждением. При выборе масла обратитесь к местному дилеру.
- Запрещается использовать масло для двухтактных двигателей с внешним водяным охлаждением. Масло для двухтактных двигателей также иногда называют маслом для подвесных двигателей.

крышку топливного бака, чтобы стравить нежелательное давление.



ПРЕДУПРЕЖДЕНИЕ: После доливки топлива осторожно затяните крышку топливного бака. Перед запуском двигателя перенесите изделие в сторону от места заправки и источника питания.

- Пользуйтесь топливным баком с защитой от переполнения.
- Убедитесь, что область вокруг крышки топливного бака чистая. Наличие загрязнений в баке может привести к сбоям в работе.
- Встряхните емкость для топлива, прежде чем налить топливную смесь в топливный бак.

Запуск и остановка

Осмотр перед началом работы

1. Проверьте изделие на наличие всех, поврежденных, ослабленных или изношенных деталей.
2. Проверьте натяжку гаек, винтов и болтов.
3. Проверьте ножи.
4. Проверьте контргайку. Убедитесь, что фиксирующее усилие контргайки составляет не менее 1,5 Нм (1,1 фут/фунт). Затяните контргайку моментом 35-50 Нм (26-36 фут/фунт).
5. Проверьте воздушный фильтр.
6. Проверьте стопор рычага дросселя и ручку газа.
7. Проверьте выключатель двигателя.
8. Проверьте изделие на наличие утечек топлива.

Запуск холодного двигателя



ПРЕДУПРЕЖДЕНИЕ: Перед запуском изделия установите кожух сцепления и вал в сборе. Ослабление крепления сцепления может стать причиной серьезной травмы. Используйте перчатки.



ПРЕДУПРЕЖДЕНИЕ: Переместите изделие в сторону от места заправки и источника топлива. Разместите изделие на ровной поверхности. Убедитесь, что никакие предметы не касаются режущего оборудования.



ПРЕДУПРЕЖДЕНИЕ: Убедитесь, что в рабочей зоне нет посторонних. В противном случае

Бензин, л	Масло, л
	2% (50:1)
5	0,1
10	0,2
15	0,3
20	0,4

Приготовление топливной смеси

Примечание: Для приготовления топливной смеси всегда используйте чистую емкость для топлива.

Примечание: Не готовьте топливную смесь в количестве из расчета более чем на 30 дней.

1. Налейте половину от всего количества бензина.
2. Добавьте все количество масла.
3. Встряхните топливную смесь, чтобы смешать компоненты.
4. Добавьте оставшийся бензин.
5. Встряхните топливную смесь, чтобы смешать компоненты.
6. Заполните топливный бак.

Заправка топливом



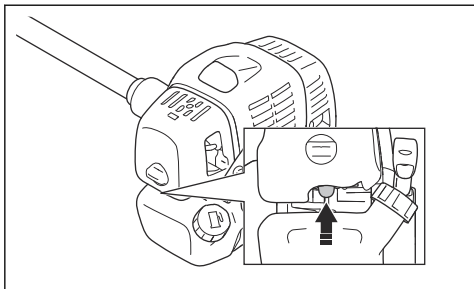
ПРЕДУПРЕЖДЕНИЕ: Не курите и не размещайте источники тепла вблизи топлива. Перед заправкой топливом остановите двигатель и подождите несколько минут, пока он остынет.



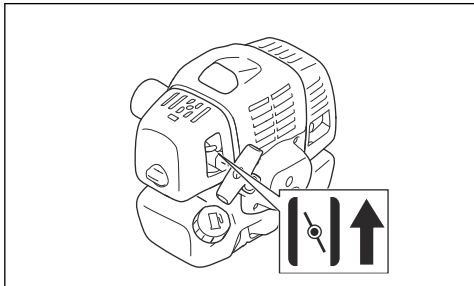
ПРЕДУПРЕЖДЕНИЕ: При доливе топлива медленно откройте

возникает риск получения опасных травм.
Безопасное расстояние составляет 15 м.

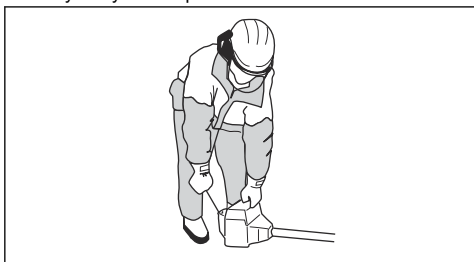
1. Переведите выключатель в положение запуска.
2. Нажимайте на грушу нагнетателя, пока она не заполнится топливом.



3. Переведите заслонку в закрытое положение.



4. Держите изделие на уровне земли. Правой рукой медленно вытягивайте шнур стартера, пока не почувствуете сопротивление.



Примечание: Не наматывайте шнур стартера вокруг руки.



ВНИМАНИЕ: Не вытягивайте шнур стартера целиком. Удерживайте ручку шнура стартера, когда он полностью выдвинут. Несоблюдение этих инструкций может привести к повреждению двигателя.

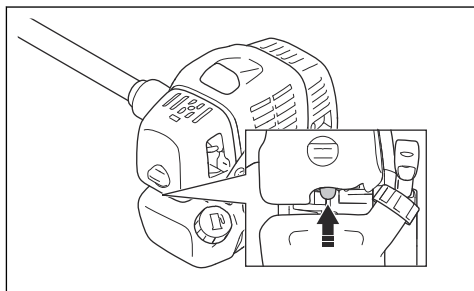
5. Быстро и с усилием потяните шнур стартера, пока не услышите, что двигатель завелся.
6. Переведите заслонку в рабочее положение.



ПРЕДУПРЕЖДЕНИЕ: Не прикасайтесь к крышке. При поврежденном колпачке свечи зажигания возникает риск ожога и поражения электрическим током. Не пользуйтесь изделием с поврежденным колпачком свечи зажигания.

Запуск прогретого двигателя

1. Переведите выключатель в положение запуска.
2. Нажимайте на грушу нагнетателя, пока она не заполнится топливом.

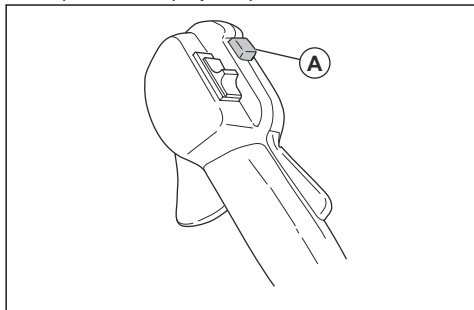


3. Установите заслонку в рабочее положение, затем потяните шнур стартера, пока двигатель не запустится.

Запуск с помощью дроссельного регулятора со стопором дросселя при запуске

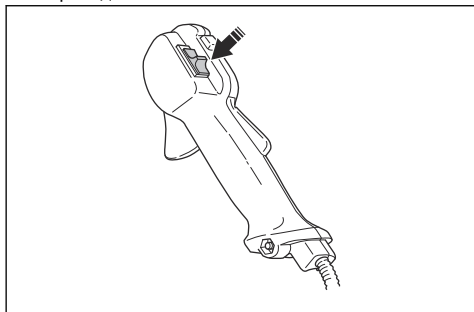
1. Нажмите на стопор дросселя и дроссельный регулятор, чтобы установить дроссель в положение запуска. Затем нажмите кнопку пускового положения дросселя (A).
2. Отпустите стопор дросселя и дроссельный регулятор, затем также отпустите кнопку пускового положения дросселя. Функция газа теперь активирована.

3. Чтобы перевести двигатель обратно в режим холостого хода, снова нажмите стопор дросселя и дроссельный регулятор.



Остановка двигателя

1. Переведите рычаг дросселя в положение холостого хода.
2. Переведите выключатель в положение останова.



Эксплуатация триммера для травы



ВНИМАНИЕ: После каждой операции сбрасывайте обороты двигателя до скорости холостого хода. Работа в течение длительного времени при полном открытии дроссельной заслонки без какой-либо нагрузки на двигатель может привести к повреждению двигателя.

Примечание: Очищайте крышку головки триммера при установке новой режущей лески для предотвращения вибрации. Проверьте другие детали головки триммера и очистите их при необходимости.

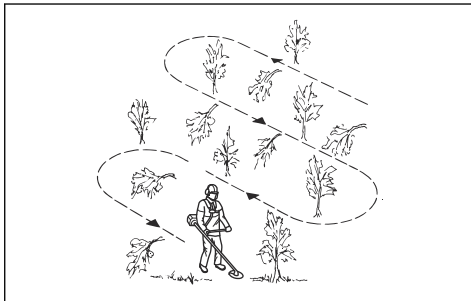
Общие инструкции по эксплуатации



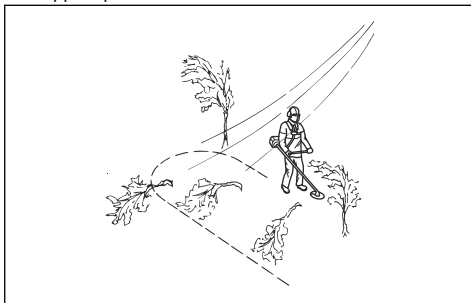
ПРЕДУПРЕЖДЕНИЕ: Соблюдайте осторожность при пилении напряженных стволов деревьев. Ствол может спружинить, вернувшись в

первоначальное положение до или после пиления, и повредить изделие или нанести вам травму.

- Создайте открытый участок на одном из концов рабочей зоны и начинайте работу оттуда.
- В ходе работы системно перемещайтесь по рабочему участку.



- Двигайтесь вперед и смещайте изделие влево и вправо до конца, чтобы при каждом смещении в сторону очищать участок шириной 4–5 м (13-16 футов).
- Расчистите участок длиной 75 м (250 футов), после чего поворачивайтесь и возвращайтесь назад. По мере продвижения вперед держите рядом с собой канистру с топливом.
- Двигайтесь в таком направлении, при котором пересечение канав и препятствий будет сведено к минимуму.
- Двигайтесь в таком направлении, при котором срезанная растительность под воздействием ветра будет падать на уже очищенную территорию.

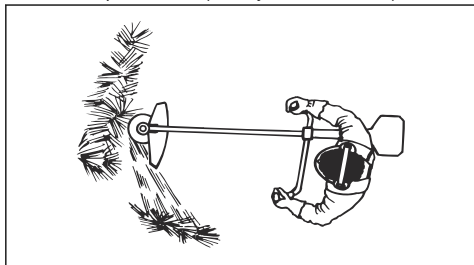


- Работайте поперек склона, не передвигайтесь вверх и вниз по склону.

Подрезка травы с помощью лезвия для травы

1. Во время эксплуатации изделия ноги должны быть расставлены. Убедитесь, что вы устойчиво стоите на земле.
2. Опорный колпак должен слегка касаться земли. Это предотвращает контакт ножа с землей.

3. Подрезайте траву маятниковым движением справа налево. Кошение должно выполняться левым краем ножа (между 8 и 12 часами).

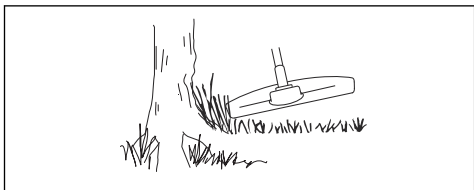


4. При подрезке травы наклоняйте нож влево.

Примечание: Трава будет собираться в одну линию.

5. Возвращайте инструмент в исходное положение маятниковым движением слева направо.
6. Выполняйте работу ритмично.
7. Продвигайтесь вперед, сохраняя устойчивое положение на земле.
8. Остановите двигатель.
9. Извлеките изделие из зажима на оснастке.
10. Положите изделие на землю.
11. Соберите срезанный материал.

Очистка

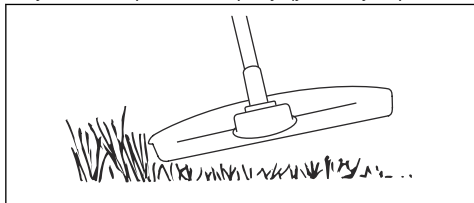


Для достижения оптимального результата:

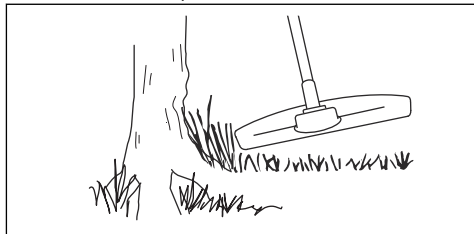
- Держите триммер так, чтобы триммерная головка была у земли.
- Немного наклоните триммерную головку.
- Конец триммерного корда должен касаться земли вокруг предметов.

Стрижка травы

1. Держите головку триммера чуть выше земли под углом. Не прижимайте режущую леску к траве.

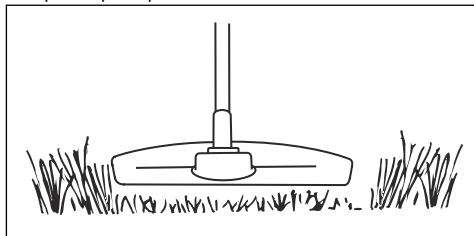


2. Уменьшите длину режущей лески на 10-12 см / 4-4,75 дюйма.
3. Уменьшите частоту вращения двигателя, чтобы уменьшить риск повреждения растений.
4. При стрижке травы вблизи предметов дроссель должен быть открыт на 80%.

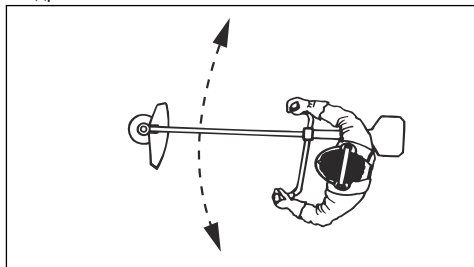


Кошение травы

1. При кошении травы держите режущую леску триммера параллельно земле.



2. Не прижимайте головку триммера к земле. Это может привести к повреждению изделия и грунта.
3. Не позволяйте головке триммера постоянно соприкасаться с землей, это может повредить головку триммера.
4. Для скашивания травы перемещайте изделие из стороны в сторону при полностью открытом дросселе.



Уборка травы

Воздушный поток от вращающейся режущей лески можно использовать для очистки участка от скошенной травы.

1. Держите головку триммера вместе с леской параллельно земле, не касаясь ее.
2. Полностью откройте дроссель.

3. Перемещайте триммер из стороны в сторону и очистите участок от скошенной травы.

проверяйте другие детали головки триммера и при необходимости очищайте их.



ПРЕДУПРЕЖДЕНИЕ: Во избежание разбалансировки и вибраций на рукоятках каждый раз при установке новой режущей лески очищайте кожух головки триммера. Кроме того,

Замена режущей лески

См. последнюю страницу данного руководства по эксплуатации.

Техническое обслуживание



ПРЕДУПРЕЖДЕНИЕ: Перед очисткой, ремонтом или техническим

обслуживанием изделия внимательно изучите раздел техники безопасности.

График технического обслуживания

Техническое обслуживание	Еже-дневно	Ежене-дельно	Ежеме-сячно
Очистите наружные поверхности.	X		
Осмотрите оснастку на наличие повреждений.	X		
Проверьте дроссельную заслонку и курок газа.	X		
Убедитесь, что режущее оборудование не вращается на холостых оборотах.	X		
Проверьте выключатель. См. раздел <i>Проверка выключателя на стр. 111</i> .	X		
Осмотрите кожух режущего оборудования на наличие повреждений и трещин.	X		
Убедитесь, что лезвие для травы выровнено по центру. Убедитесь, что лезвие для травы заточено, выставлено по центру и не имеет повреждений, в частности у центрального отверстия.	X		
Осмотрите триммерную головку на наличие повреждений и трещин. При наличии повреждений выполните замену.	X		
Осмотрите рукоятки на наличие повреждений и проверьте правильность их установки.	X		
Если режущее оборудование оснащено опорной чашкой, затяните стопорный винт надлежащим образом.	X		
Если режущее оборудование оснащено контргайкой, затяните контргайку правильным моментом.	X		
Осмотрите транспортировочный щиток на наличие повреждений и убедитесь, что его можно закрепить на изделии надлежащим образом.	X		
Проверьте двигатель, топливный бак и топливопроводы на наличие утечек.	X		
Очистите воздушный фильтр. При необходимости выполните замену.	X		
Затяните гайки и винты.	X		
Проверьте топливный фильтр на наличие засорения и топливный шланг на наличие трещин или других повреждений. При необходимости выполните замену.	X		
Осмотрите все провода и соединения.	X		

Техническое обслуживание	Еже-дневно	Еже-недельно	Ежеме-сячно
Осмотрите стартер и шнур стартера на наличие повреждений.		X	
Проверьте свечу зажигания. См. раздел <i>Проверка свечи зажигания на стр. 127.</i>		X	
Убедитесь, что зубчатая передача на $\frac{3}{4}$ заполнена смазкой.		X	
Очистите наружные поверхности карбюратора и область вокруг него.		X	
Очистите свечу зажигания. Снимите свечу зажигания и проверьте зазор между электродами. Отрегулируйте зазор между электродами или замените свечу зажигания при необходимости. См. раздел <i>Технические данные на стр. 129.</i> Убедитесь, что свеча зажигания оснащена изоляцией радиопомех.		X	
Проверьте сцепление, пружины сцепления и барабан сцепления на износ. При необходимости выполните замену.			X
Замените свечу зажигания. Убедитесь, что свеча зажигания оснащена изоляцией радиопомех.			X
Смажьте ведущий вал.			X
Убедитесь, что амортизаторы не повреждены.		X	
Очистите систему охлаждения изделия.		X	
Очистите глушитель.			X

Регулировка карбюратора

Основная регулировка карбюратора выполняется на заводе во время испытаний. Регулировка должна выполняться обученным специалистом.

Проверка глушителя



ПРЕДУПРЕЖДЕНИЕ:

Запрещается использовать изделие с поврежденным глушителем. Всегда заменяйте поврежденный глушитель.



ПРЕДУПРЕЖДЕНИЕ:

Риск получения ожогов или возгорания. Глушители с каталитическими преобразователями очень сильно нагреваются во время работы.



ПРЕДУПРЕЖДЕНИЕ:

Опасность возгорания. Глушитель снижает уровень шума и отводит выхлопные газы от оператора. Выхлопные газы горячие и могут содержать искры.



ВНИМАНИЕ: В случае повреждения искрогаситель следует заменить. Запрещается использовать изделие, если

искрогаситель на глушителе поврежден или отсутствует.



ВНИМАНИЕ: При засорении искрогасителя изделие может перегреться, что приведет к повреждению цилиндра и поршня.

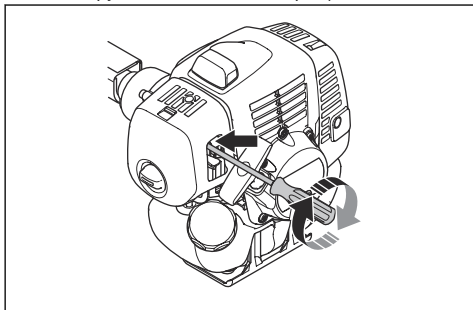
1. Проверьте глушитель на отсутствие повреждений.
2. Проверьте правильность крепления глушителя к корпусу изделия.

Регулировка оборотов холостого хода

Ваше изделие Husqvarna изготовлено по спецификациям, обеспечивающим снижение объема вредных выбросов.

1. Перед регулировкой оборотов холостого хода убедитесь, что воздушный фильтр чистый, а крышка воздушного фильтра установлена.
2. Отрегулируйте обороты холостого хода с помощью винта холостого хода T, обозначенного меткой "T".

- а) Поворачивайте винт холостого хода Т по часовой стрелке до тех пор, пока режущее оборудование не начнет вращаться.



- б) Поворачивайте винт холостого хода Т против часовой стрелки до тех пор, пока режущее оборудование не остановится и уровень шума от муфты не снизится.



ПРЕДУПРЕЖДЕНИЕ: Если режущее оборудование не останавливается в ходе регулировки оборотов холостого хода, обратитесь к своему сервисному дилеру. Запрещается пользоваться изделием, пока не будет выполнена его надлежащая регулировка или ремонт.

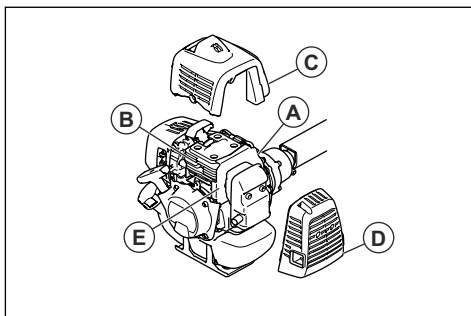
3. Обороты холостого хода правильные, если двигатель работает ровно во всех положениях. Скорость холостого хода должна быть ниже скорости, при которой режущее оборудование начинает вращаться.

Примечание: Рекомендованные обороты холостого хода см. в разделе *Технические данные на стр. 129.*

Система охлаждения

Изделие оснащено системой охлаждения, которая поддерживает рабочую температуру на низком уровне.

Система охлаждения состоит из следующих компонентов:



- Ребра на маховике (А)
- Ребра охлаждения на цилиндре (В)
- Крышка цилиндра (С) (обеспечивает подачу холодного воздуха к цилиндру)
- Крышка глушителя(Д)
- Пластина глушителя (Е)

Очистка системы охлаждения



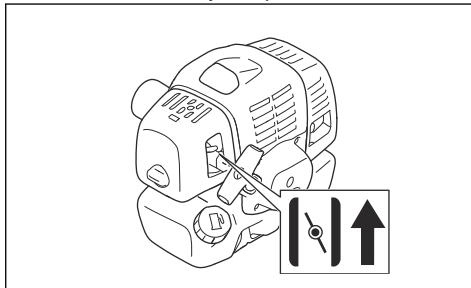
ПРЕДУПРЕЖДЕНИЕ:

Загрязнение или засорение системы охлаждения приводит к перегреву двигателя. В результате возникают повреждения поршня и цилиндра.

1. Очищайте компоненты системы охлаждения щеткой не реже одного раза в неделю.

Воздушный фильтр

- Очищайте фильтр каждые 25 часов. При необходимости производите очистку чаще.
- Установите заслонку в закрытое положение.



Очистка воздушного фильтра

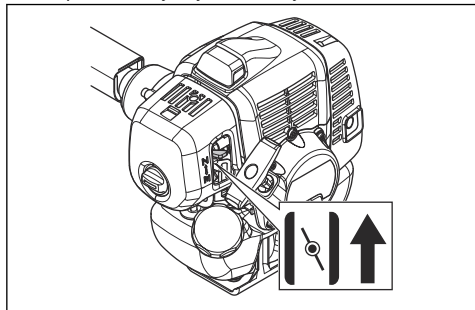


ВНИМАНИЕ: В обязательном порядке заменяйте поврежденный, сильно загрязненный или пропитанный топливом воздушный фильтр.

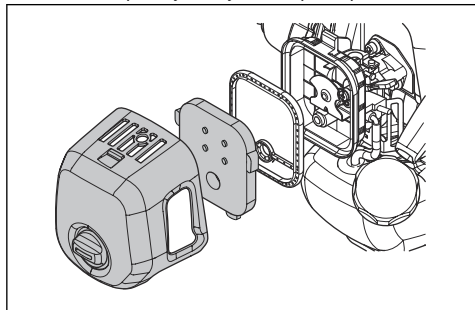
После эксплуатации воздушного фильтра в течение длительного времени его невозможно очистить

полностью. Регулярно заменяйте воздушный фильтр новым.

1. Закройте воздушную заслонку.



2. Снимите крышку воздушного фильтра.



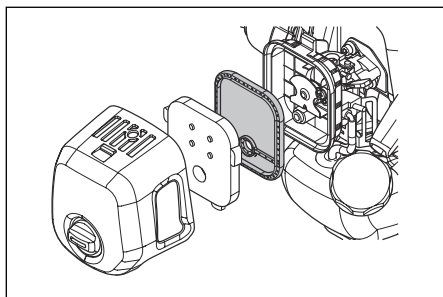
3. Снимите воздушный фильтр.
4. Промойте воздушный фильтр теплой мыльной водой.
5. Если воздушный фильтр слишком грязный, чтобы полностью его очистить, замените его. Всегда заменяйте поврежденный воздушный фильтр.
6. Очистите внутреннюю поверхность крышки воздушного фильтра. Используйте для очистки воздух или щетку.
7. Перед установкой воздушного фильтра на место убедитесь, что он полностью высох.

Войлочный фильтр

- Осторожно постучите по войлочному фильтру рукой или продуйте его сжатым воздухом для очистки.

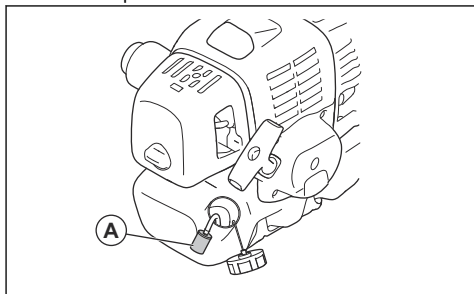


ВНИМАНИЕ: Запрещается использовать воду для очистки войлочного фильтра. Вода может повредить войлочный фильтр.



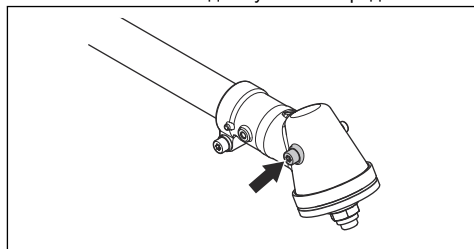
Топливный фильтр

Когда в двигателе заканчивается топливо, проверьте крышку топливного бака и топливный фильтр (A) на наличие засоров.



Добавление смазки в зубчатую передачу

- Убедитесь, что зубчатая передача на $\frac{3}{4}$ заполнена смазкой для зубчатой передачи.



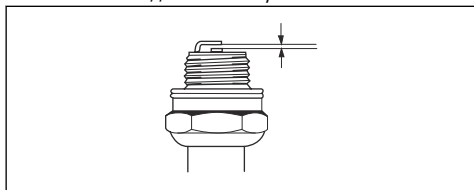
Проверка свечи зажигания



ВНИМАНИЕ: Всегда используйте свечи зажигания только рекомендованного типа. Использование свечи зажигания неправильного типа может привести к повреждению изделия.

- Проверьте свечу зажигания, если двигатель не набирает обороты, с трудом запускается или плохо работает на холостых оборотах.

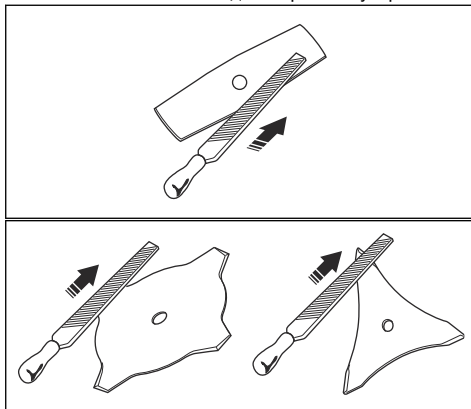
- Чтобы уменьшить риск появления нежелательного материала на электродах свечи зажигания, соблюдайте следующие инструкции:
 - а) Проверьте правильность регулировки оборотов холостого хода.
 - б) Убедитесь, что используется надлежащая топливная смесь.
 - в) Убедитесь, что воздушный фильтр чистый.
- Если свеча зажигания загрязнена, очистите ее и проверьте зазор между электродами, см. раздел *Технические данные* на стр. 129.



- При необходимости замените свечу зажигания.

Заточка ножей и лезвий для травы

- Равномерно заточите все кромки ножей и лезвий для травы, чтобы сохранить баланс. Используйте плоский напильник с односторонним узором.



Поиск и устранение неисправностей

Поиск и устранение неисправностей

Неисправность запуска		
Проверка	Возможная причина	Решение
Кнопка остановки	Положение остановки	Переведите выключатель в положение запуска.
Собачки стартера	Заедание собачек	Отрегулируйте или замените собачки.
		Очистите поверхность вокруг собачек.
		Обратитесь к авторизованному сервисному дилеру.
Топливный бак	Топливо несоответствующего типа.	Слейте и используйте правильное топливо.
Карбюратор	Регулировка оборотов холостого хода.	Отрегулируйте обороты холостого хода с помощью винта Т.
Зажигание (нет искры)	Свеча зажигания загрязнена или намокла.	Убедитесь, что свеча зажигания сухая и чистая.
		Очистите свечу зажигания. Проверьте правильность зазора между электродами. Убедитесь, что свеча зажигания оснащена изоляцией радиопомех.
	Неверный зазор свечи зажигания.	Правильный зазор между электродами см. в технических данных.

Неисправность запуска		
Проверка	Возможная причина	Решение
Свеча зажигания	Плохой контакт свечи зажигания.	Затяните свечу зажигания.
Топливный фильтр	Засорение топливного фильтра.	Замените топливный фильтр.

Двигатель запускается, но затем глохнет		
Проверка	Возможная причина	Решение
Топливный бак	Топливо не соответствующего типа.	Слейте и используйте правильное топливо.
Карбюратор	Двигатель не работает надлежащим образом на холодном ходу.	Обратитесь к своему дилеру по обслуживанию.
Воздушный фильтр	Засорение воздушного фильтра.	Очистите воздушный фильтр.
Топливный фильтр	Засорение топливного фильтра.	Замените топливный фильтр.

Транспортировка и хранение

- Обеспечьте безопасность оборудования на время транспортировки во избежание повреждений и несчастных случаев.
 - Храните изделие и оборудование в сухом и защищенном от низких температур месте.
 - Очистите изделие.
- Замените или отремонтируйте поврежденные детали.
 - Накройте изделие подходящим защитным чехлом, не скапливающим влагу.
 - Надежно фиксируйте изделие на время транспортировки.

Технические данные

Технические данные

	531RS	541RS	541RST
Двигатель			
Объем цилиндра, см ³	33,6	41,5	41,5

	531RS	541RS	541RST
Диаметр цилиндра, Ø мм	36	40	40
Длина хода поршня цилиндра, мм	33	33	33
Частота вращения холостого хода, мин ⁻¹ (об/мин)	2500±200	2500±200	2500±200
Рекомендованная макс. частота вращения, мин ⁻¹ (об/мин)	12 000	12 000	12 000
Частота вращения выходного вала, мин ⁻¹ (об/мин)	8570	8570	8570
Макс. выходная мощность двигателя согласно ISO 8893, кВт при мин ⁻¹ (об/мин)	1,2 / 1,6 при 7000	1,6 / 2,1 при 7000	1,6 / 2,1 при 7000
Глушитель с каталитическим нейтрализатором	Нет	Нет	Нет
Система зажигания			
Свеча зажигания	NGK BPMR7A	NGK BPMR7A	NGK BPMR7A
Зазор между электродами, мм	0,6–0,7	0,6–0,7	0,6–0,7
Топливная система и система смазки			
Емкость топливного бака, л	0,74	0,94	0,94
Вес			
Без режущего оборудования, щитка режущего оборудования, оснастки и с пустыми баками, кг	7,2	7,4	7,6
Излучение шума ¹³			
Уровень мощности звука, измеренный, дБ(A)	104	105	105
Уровень мощности звука, гарантированный, L _{WA} , дБ(A)	109	109	109
Уровни шума ¹⁴			
Эквивалентный уровень звукового давления, воздействующего на органы слуха оператора, измеренный согласно EN ISO 11806 и ISO 22868, дБ(A).			
С триммерной головкой (оригинальной)	90	94	94
С лезвием для травы (оригинальным)	89	95	95

¹³ Излучение шума в окружающую среду измеряется как мощность звука (L_{WA}) согласно директиве ЕС 2000/14/ЕС. Указанный уровень мощности звука для изделия измерен с оригинальным режущим оборудованием, создающим самый высокий уровень шума. Разница между гарантированной и измеренной мощностью звука заключается в том, что гарантированная мощность звука включает результаты измерений как диапазон и их отклонение для изделий одной и той же модели согласно директиве 2000/14/ЕС.

¹⁴ Указанные данные об эквивалентном уровне звукового давления имеют типичный статистический разброс (стандартное отклонение) 3 дБ(A).

	531RS	541RS	541RST
Уровни вибрации ¹⁵			
Эквивалентные уровни вибрации ($a_{hv,eq}$) на рукоятках, измерены согласно EN ISO 11806 и ISO 22867, m/c^2			
С триммерной головкой (оригинальной), слева / справа	2,8 / 3,0	3,1 / 2,8	5,6 / 5,1
С лезвием для травы (оригинальным), слева / справа	4,2 / 4,0	4,5 / 5,0	7,1 / 6,3

Принадлежности

Принадлежности

Одобрённые принадлежности	Тип принадлежности	Кожух режущего оборудования, артикул
Лезвие для травы/нож для травы	Multi 255-3 (Ø 255, 3 зубца)	584 40 42-01
	Multi 275-4 (Ø 275, 4 зубца)	584 40 42-01
	Multi 300-3 (Ø 300, 3 зубца)	584 40 42-01
	Multi 330-2 (Ø 330, 2 зубца)	584 40 42-01
Пластиковые ножи	Tricut Ø 300 мм (отдельные ножи имеют номер детали 531 01 77-15)	584 40 42-01
Триммерная головка	T35, T35X (корд Ø 2,4–3,0 мм)	584 40 42-01
	S35 (корд Ø 2,4–3,0 мм)	584 40 42-01
	T45, T45x (корд Ø 2,7–3,3 мм)	584 40 42-01
	T55x (корд Ø 2,7–3,3 мм)	584 40 42-01
	S II	584 40 42-01
Опорная чашка	Фиксированная	–

¹⁵ Указанные данные об уровне вибрации имеют типичный статистический разброс (стандартное отклонение) 1,5 m/c^2 .

Декларация соответствия

Декларация соответствия ЕС

Название составителя: Husqvarna AB, SE-561 82 Huskvarna, Швеция, тел.: +46-36-146500.

Компания **Husqvarna AB** несет всю ответственность за объект данной декларации: Бензиновый триммер и/или травокосилка, платформа(-ы) G34L и G43L, представленная(-ые) моделью(-ями) **Husqvarna 531RS, 541RS и 541RST**, начиная с серийных номеров от 2024 года и далее. Номер платформы и номер модели указаны прямым текстом на табличке с обозначением типа вместе с годом выпуска и следующим за ним серийным номером.

Объект декларации, описанный выше, соответствует требованиям Директив Совета:

- от 17 мая 2006 года "о механическом оборудовании" **2006/42/ЕС.**
- от 26 февраля 2014 года "об электромагнитной совместимости" **2014/30/EU.**
- от 8 мая 2000 года "об излучении шума в окружающую среду" **2000/14/ЕС.**
- от 8 июня 2011 года "об ограничении по использованию опасных веществ" **2011/65/EU.**

Процедура оценки соответствия проведена в соответствии с директивой 2000/14/ЕС, Приложение V.

Информацию по излучению шума см. в разделе *Технические данные на стр. 129.*

Применяются следующие стандарты:

EN ISO 11806-1:2022, EN ISO 14982:2009, EN ISO 12100:2010, EN IEC 63000:2018

Организацией TÜV Rheinland LGA Products GmbH, Tillystrasse 2, D-90431 Nuernberg, Германия, 0197, был проведен добровольный контроль от имени Husqvarna AB, по результатам которого был выдан сертификат соответствия директиве ЕС 2006/42/ЕС "о механическом оборудовании" AM 50609261 (541RS, 541RST), AM 50609279 (531RS). Сертификат действителен для всех предприятий и стран производителя, как указано на изделии. Поставляемый триммер и/или травокосилка соответствуют эталону, прошедшему контроль.

Husqvarna AB, Huskvarna, Швеция, 2024-01-15



141400, Московская обл., Г. Химки, ул. Ленинградская, владение 39, строение 6, здание II этаж 4, помещение OB02_04, телефон горячей линии 8-800-200-1689

Клаес Лосдал (Claes Losdal), директор отдела разработок, Husqvarna AB

Ответственный за техническую документацию

Sadržaj

Uvod.....	133	Transport i skladištenje.....	154
Bezbednost.....	135	Tehnički podaci.....	154
Sklapanje.....	141	Dodaci.....	156
Rukovanje.....	145	Deklaracija o usklađenosti.....	157
Održavanje.....	149	Appendix	208
Rešavanje problema.....	153		

Uvod

Opis proizvoda

Ovaj proizvod je trimer za travu/rezač žbunja sa motorom sa unutrašnjim sagorevanjem.

Neprestano radimo na povećanju bezbednosti i efikasnosti rada. Obratite se serviseru za više informacija.

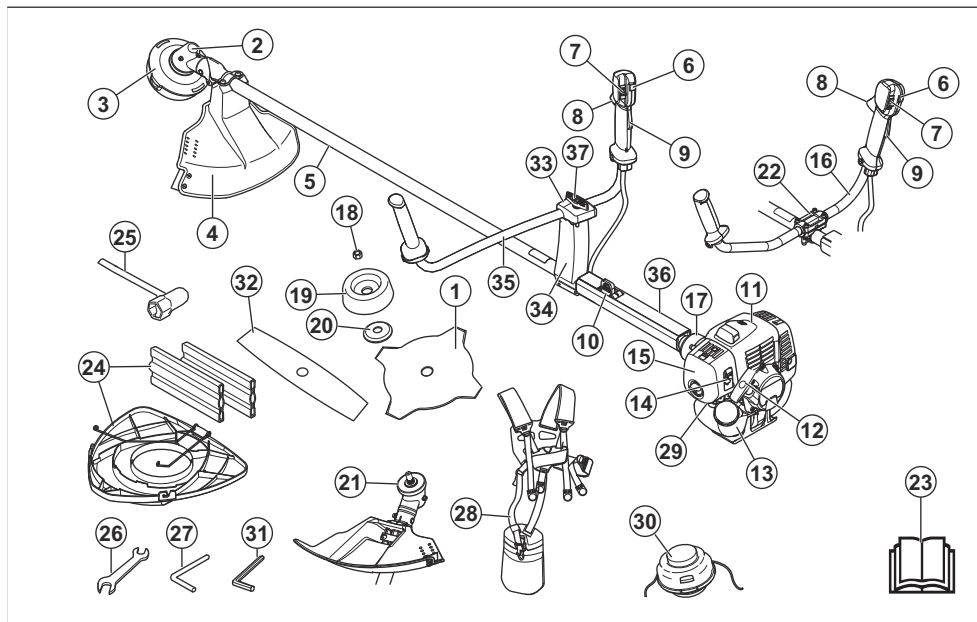
Namena

Proizvod može da se koristi sa listom za travu ili trimi glavom za rezanje različitih tipova vegetacije. Nemojte

koristiti proizvod za druge zadatke osim košenja trave i čišćenja trave. Koristite list za travu ili trimi glavu za košenje trave.

Napomena: Državni ili lokalni propisi mogu da regulišu korišćenje. Poštujte date propise.

Pregled proizvoda



1. Nož (nije dostupan za sva tržišta)
2. Poklopac za sipanje maziva, menjač ugla
3. Menjač ugla
4. Štitnik priključka za rezanje

5. Osovina
6. Dugme gasa pri pokretanju
7. Prekidač za zaustavljanje
8. Komanda gasa

9. Kočnica gasa
10. Prsten vešanja
11. Poklopac cilindra
12. Ručica užeta startera
13. Rezervoar za gorivo
14. Kontrola čoka
15. Poklopac filtera za vazduh
16. Drška (531RS, 541RS)
17. Poklopac kvačila
18. Stezna navrtka
19. Oslona šolja
20. Oslona pribubnica
21. Pogonski disk
22. Stezaljka drške (531RS, 541RS)
23. Uputstvo za rukovaoca
24. Transportni štitnik (nije dostupan za sva tržišta)
25. Ključ
26. Ključ
27. Blokirajuća osovinica (za proizvode bez imbus ključa)
28. Uprtač
29. Pumpa za vazduh
30. Trimer glava (nije dostupna za sva tržišta)
31. Šestougaoi ključ
32. 2-zubi nož (nije dostupa za sva tržišta)
33. Poklopac (541RST)
34. Nosač (541RST)
35. Drška (541RST)
36. Zaštitna čaura
37. Dugme (541RST)

Simboli na proizvodu



UPOZORENJE: Ovaj proizvod može biti opasan i prouzrokovati teške povrede ili smrt rukovaoca ili drugih osoba. Budite pažljivi i koristite proizvod na pravilan način.



Pre korišćenja pažljivo pročitajte korisničko uputstvo i uverite se da razumete njegov sadržaj.



Koristite zaštitni šlem na lokacijama gde predmeti mogu pasti na vas. Koristite odobrenu zaštitu za uši i oči.



Maksimalna brzina izlazne osovine.



Proizvod može prouzrokovati izbacivanje predmeta, što može da izazove telesnu povredu.



Održavajte minimalno rastojanje od 15 m / 50 stopa od osoba i životinja tokom rada proizvoda.



Opasnost od udara noža ako oprema za košenje dodirne predmet koji odmah ne odseče. Proizvod može odseći delove tela. Održavajte minimalno rastojanje od 15 m / 50 ft od osoba i životinja tokom rada proizvoda.



Strelice prikazuju ograničenje za položaj ručice.



Čok.



Pumpa za vazduh.



Koristite odobrene zaštitne rukavice.



Nosite neklizajuće i čvrste čizme.



Emisije buke u životnoj sredini prema direktivi Evropske zajednice. Emisija buke proizvoda navedena je u *Tehnički podaci na stranici 154* i na nalepnici.

yyyywwxxxx

Pločica tipa prikazuje serijski broj. **yyyy** je godina proizvodnje, a **ww** je nedelja proizvodnje.

Napomena: Ostali simboli/nalepnice na proizvodu se odnose na zahteve u vezi sa sertifikacijom na drugim tržištima.

Oštećenje proizvoda

Nismo odgovorni za oštećenja proizvoda u sledećim slučajevima:

- proizvod je popravljen na pogrešan način
- proizvod je popravljen korišćenjem delova koji nisu napravljeni ili odobreni od strane proizvođača
- proizvod ima opremu koja ne potiče ili nije odobrena od strane proizvođača

- proizvod nije popravljen u ovlašćenom servisnom centru ili od strane ovlašćenog stručnjaka

Bezbednost

Bezbednosne definicije

Definicije navedene u nastavku pružaju nivo ozbiljnosti za svaku signalnu reč.



UPOZORENJE: Telesne povrede osoba.



OPREZ: Oštećenje proizvoda.

Napomena: Ove informacije olakšavaju korišćenje proizvoda.

Opšta bezbednosna uputstva



UPOZORENJE: Pročitajte upozoravajuća uputstva koja slede pre korišćenja proizvoda.

- Koristite proizvod na ispravan način. Telesna povreda ili smrt su mogući rezultat neispravnog korišćenja. Koristite proizvod samo za zadatke navedene u ovom uputstvu. Nemojte koristiti proizvod za druge zadatke.
- Pratite instrukcije navedene u ovom uputstvu. Pratite bezbednosne simbole i bezbednosna uputstva. Ako rukovalac ne prati uputstva i simbole, oštećenje, telesna povreda ili smrt su mogući rezultat.
- Nemojte baciti ovo uputstvo. Koristite uputstva kako biste sklopili, rukovali i održavali proizvod u dobrom stanju. Koristite uputstva za ispravno montiranje dodatka i opreme. Koristite isključivo odobrene dodatke i opremu.
- Nemojte koristiti oštećeni proizvod. Pridržavajte se šeme održavanja. Vršite samo one radove održavanja za koje pronađete instrukcije u ovom uputstvu. Ovlašćeni servisni centar mora izvršiti sve druge radove održavanja.
- Ovo uputstvo ne može sadržavati sve situacije koje se mogu pojaviti prilikom korišćenja proizvoda. Budite pažljivi i koristite zdrav razum. Nemojte rukovati proizvodom ili vršiti održavanje ako niste sigurni u pogledu određene situacije. Obratite se stručnjaku za proizvod, prodavcu, servisnom zastupniku ili ovlašćenom servisnom centru kako biste dobili više informacija.
- Iskopčajte kabl svećice pre nego što sklopite proizvod, uskladištite ga ili izvršite održavanje.
- Nemojte koristiti proizvod ako je izmenjen od inicijalnih specifikacija. Nemojte menjati deo na

proizvodu bez odobrenja od strane proizvođača. Koristite samo delove koji su odobreni od strane proizvođača. Telesna povreda ili smrt su mogući rezultat nepravilnog održavanja.

- Nemojte udisati isparenja iz motora. Dugotrajno udisanje izduvnih gasova motora je opasno za zdravlje.
- Nemojte pokretati proizvod u zatvorenom prostoru ili blizu zapaljivih materijala. Izduvni gasovi su vrući i mogu imati varnicu koja može potpaliti požar. Nedovoljan protok vazduha može izazvati telesnu povredu ili smrt usled gasušenja ili prisustva ugljenmonoksida.
- Kada koristite ovaj proizvod, motor stvara elektromagnetno polje. Elektromagnetno polje može izazvati oštećenje medicinskih implantata. Posavetujte se sa svojim lekarom i proizvođačem medicinskog implantata pre nego što počnete da rukujete ovim proizvodom.
- Nemojte dozvoliti da dete rukuje proizvodom. Ne dozvolite neobučenim osobama da rukuju proizvodom.
- Pobrinite se da uvek nadzirete osobu sa smanjenim fizičkim ili mentalnim sposobnostima koja koristi proizvod. Odgovorna odrasla osoba mora biti prisutna sve vreme.
- Proizvod čuvajte na mestu gde deca i neovlašćene osobe nemaju pristup.
- Proizvod može da izbacuje predmete i tako izazove telesne povrede. Pridržavajte se bezbednosnih uputstava kako biste smanjili rizik od telesne povrede ili smrti.
- Nemojte se udaljavati od proizvoda kada motor radi.
- Rukovalac proizvoda je odgovoran u slučaju ako dođe do nesreće.
- Uverite se da delovi nisu oštećeni pre nego što koristite proizvod.
- Uverite se da ste udaljeni najmanje 15 m (50 stopa) od drugih osoba ili životinja pre nego što koristite proizvod. Uverite se da osobe u okolnom području znaju da ćete koristiti proizvod.
- Pogledajte nacionalne ili lokalne zakone. Oni mogu sprečavati ili umanjiti načine za rad proizvoda u određenim slučajevima.
- Ne koristite proizvod ako ste iscrpljeni ili pod uticajem alkohola, droge ili lekova. Oni mogu uticati na vaš vid, budnost, koordinaciju ili prosuđivanje.

Bezbednosna uputstva za sklapanje



UPOZORENJE: Pročitajte upozoravajuća uputstva koja slede pre korišćenja proizvoda.

- Nosite odobrene zaštitne rukavice prilikom sklapanja proizvoda i priključka za košenje.
- Uklonite kapicu sa svećice pre sklapanja proizvoda.
- Uverite se da su odgovarajući upravljač i štitnik priključka za košenje postavljeni pre nego što počnete da radite sa proizvodom.
- Oštećeni ili neispravni štitnik priključka za košenje može da izazove telesnu povredu. Nemojte koristiti priključak za košenje bez odobrenog štitnika priključka za košenje.
- Pravilno postavite poklopac kvačila i osovinu pre nego što pokrenete proizvod.
- Pogonski disk i oslona priрубnica moraju da tačno nalegnu u centralni otvor priključka za košenje. Priključak za košenje koji je nepravilno pričvršćen može da izazove telesnu povredu ili smrt.
- Postavite uprtač na proizvod kako biste sprečili telesnu povredu rukovaoca ili drugih osoba.



- Uverite se da nema opasnosti od pada prilikom korišćenja proizvoda. Nemojte se naginjati kada radite sa proizvodom.
- Uvek držite proizvod sa obe ruke. Držite proizvod sa desne strane tela.



- Radite sa proizvodom tako da vam je priključak za košenje ispod struka.
- Ako je kontrola čoka u položaju čoka prilikom pokretanja motora, priključak za košenje će početi da se okreće.
- Nemojte dodirivati menjač ugla nakon zaustavljanja motora. Vruće površine mogu da izazovu telesnu povredu.
- Zaustavite motor pre nego što pomerite proizvod.
- Nemojte spuštati proizvod kada motor radi.
- Pre uklanjanja neželjenih materijala sa proizvoda, zaustavite motor i sačekajte da se priključak za košenje zaustavi. Sačekajte da se priključak za košenje zaustavi pre nego što vi ili osoba koja vam pomaže u radu uklonite isečeni materijal.

Lična zaštitna oprema



UPOZORENJE: Pročitajte upozoravajuća uputstva koja slede pre korišćenja proizvoda.

- Uvek koristite odgovarajuću ličnu zaštitnu opremu kada radite sa proizvodom. Lična zaštitna oprema ne poništava rizik od telesne povrede. Lična zaštitna oprema umanjuje stepen telesne povrede u slučaju pojave nesreće.
- Uvek koristite odobrenu zaštitu za oči tokom rada sa proizvodom.
- Nemojte raditi sa proizvodom dok ste bosonogi ili u otvorenoj obući. Uvek nosite nekližuće i čvrste cizme.

Bezbednosna uputstva za rad

- Uverite se da je proizvod u potpunosti sklopljen pre nego što počnete da ga koristite.
- Pre pokretanja, pomerite proizvod 3 m (10 stopa) od položaja gde ste punili rezervoar za gorivo. Položite proizvod na ravnu površinu. Vodite računa da priključak za košenje ne dodiruje tlo ili druge predmete.
- Proizvod može prouzrokovati izbacivanje predmeta što može rezultirati povredom očiju. Uvek koristite odobrenu zaštitu za oči prilikom rada sa proizvodom.
- Budite oprezni, dete se može približiti proizvodu bez vašeg znanja tokom rada.
- Nemojte raditi sa proizvodom ako se osobe nalaze u radnom području. Zaustavite proizvod ako osoba uđe u radno područje.
- Pobrinite se da uvek imate kontrolu nad proizvodom.
- Nemojte koristiti proizvod ako ne postoji mogućnost da primite pomoć ako dođe do nesreće. Uvek se pobrinite da druge osobe znaju da ćete raditi sa proizvodom pre nego što počnete da koristite proizvod.
- Nemojte se okretati dok držite proizvod pre nego što se uverite da nema osoba ili životinja u bezbednom području.
- Uklonite sav neželjeni materijal iz radnog područja pre početka rada. Ako priključak za košenje udari o predmet, predmet može biti izbačen i na taj način izazvati telesnu povredu ili oštećenje. Neželjeni materijal se može namotati oko priključka za košenje i prouzrokovati štetu.
- Nemojte koristiti proizvod tokom lošeg vremena (magla, kiša, jaki vetrovi, rizik od udara groma ili drugi vremenski uslovi). Opasni uslovi (kao što su klizave površine) mogu se pojaviti usled lošeg vremena.
- Uverite se da se možete slobodno kretati i raditi u stabilnom položaju.

- Uvek nosite duge pantalone od čvrstog materijala.
- Ako je neophodno, koristite odobrene zaštitne rukavice.
- Nosite zaštitnu kacigu ako postoji mogućnost da vam predmeti padnu na glavu.
- Uvek koristite odobrenu zaštitu za uši tokom rada sa proizvodom. Izloženost buci tokom dužeg vremenskog perioda može dovesti do gubitka sluha izazvanog bukom.
- Vodite računa da vam u blizini bude komplet za prvu pomoć.

Zaštitni uređaji na proizvodu

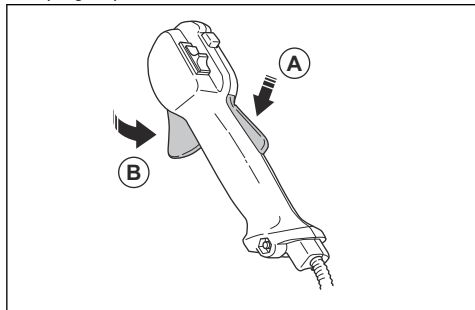
- Pobrinite se da redovno vršite održavanje proizvoda.
 - Time se produžava radni vek proizvoda.
 - Time se smanjuje rizik od nesreća.

Neka ovlašćeni prodavac ili ovlašćeni servisni centar redovno pregledaju proizvod kako bi izvršili podešavanja ili popravke.

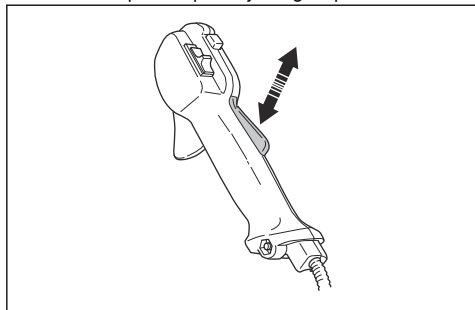
- Nemojte koristiti proizvod na kojem je oštećena zaštitna oprema. Ako je proizvod oštećen, obratite se ovlašćenom servisnom centru.

Provera zaključavanja obarača gasa

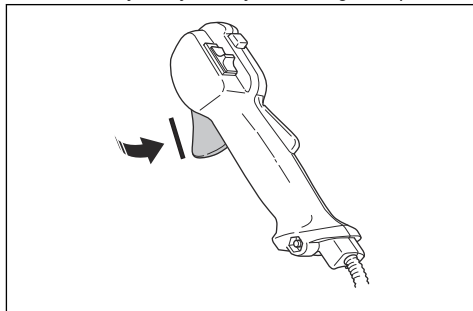
1. Uverite se da se zaključavanje obarača gasa (A) i obarač gasa (B) slobodno pomeraju i da povratna opruga ispravno radi.



2. Pritisnite zaključavanje obarača gasa i uverite se da se vraća u početni položaj kad ga otpustite.



3. Uverite se da je obarač gasa zaključčan u praznom hodu kada je zaključavanje obarača gasa otpušteno.



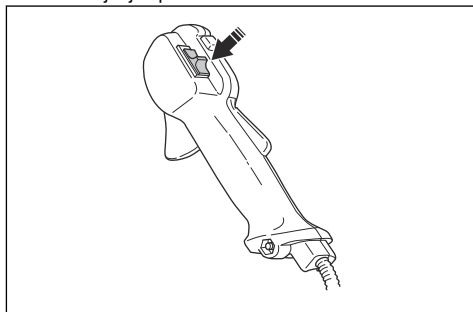
4. Pokrenite proizvod i dajte puni gas.
5. Otpustite obarač gasa i uverite se da se priključak za košenje zaustavlja i ne nastavlja da se kreće.



UPOZORENJE: Ako se priključak za košenje kreće dok je obarač gasa u praznom hodu, morate da podesite brzinu praznog hoda karburatora. Pogledajte *Podešavanje brzine praznog hoda na stranici 150*.

Da biste proverili rad prekidača za zaustavljanje

1. Pokrenite motor.
2. Pomerite prekidač za zaustavljanje u položaj za zaustavljanje i proverite da li se motor zaustavio.

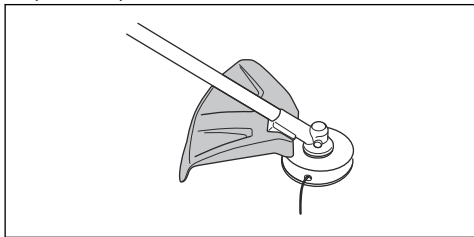


Da biste proverili štitičnik priključka za košenje

Štitičnik priključka za košenje sprečava predmete koji se izbacuju u smeru rukovaoca. Takođe sprečava telesne povrede koje se mogu pojaviti ako dodirnete priključak za košenje.

1. Zaustavite motor.

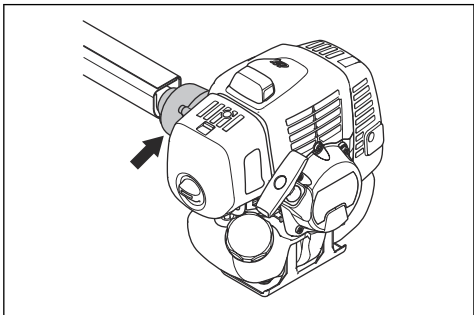
2. Izvršite vizuelni pregled u pogledu oštećenja, na primer, naprslina.



3. Zamenite štitnik priključka za košenje ako je oštećen.

Da biste proverili sistem prigušenja vibracija

Sistem prigušenja vibracija smanjuje vibracije u ručicama na minimum što olakšava proces rada.



1. Zaustavite motor.
2. Izvršite vizuelni pregled deformacija i oštećenja, poput naprslina.
3. Vodite računa o pravilnom postavljanju elemenata sistema za ublažavanje vibracija.

Da biste izvršili pregled mehanizma za brzo oslobađanje

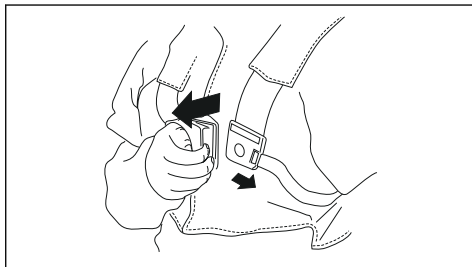


UPOZORENJE: Nemojte koristiti neispravan uprtač s mehanizmom za brzo oslobađanje.

Mehanizam za brzo oslobađanje omogućava rukovaocu da brzo ukloni proizvod sa uprtača u hitnom slučaju.

1. Zaustavite motor.
2. Izvršite vizuelni pregled u pogledu oštećenja, na primer, naprslina.

3. Otpustite i pričvrstite mehanizam za brzo oslobađanje da biste se uverili da ispravno funkcioniše.



Da biste proverili prigušivač

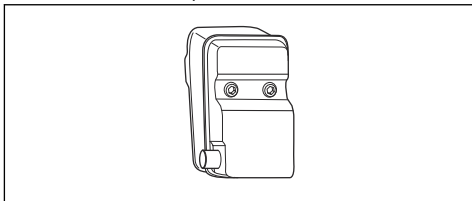


UPOZORENJE: Nikada nemojte koristiti proizvod sa oštećenim prigušivačem.

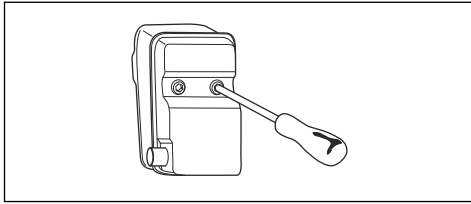


UPOZORENJE: Imajte na umu da su izduvni gasovi motora vrući i mogu sadržati varnice koje mogu da izazovu požar. Nikada nemojte pokretati proizvod u zatvorenom prostoru ili u blizini zapaljivih materijala!

Prigušivač održava nivo buke na minimumu i šalje izduvne gasove od rukovaoca. Za prigušivače je veoma važno da pratite uputstva o tome kako da proverite, održavate i servisirate proizvod.



Redovno proveravajte da li je prigušivač bezbedno pričvršćen na proizvod.



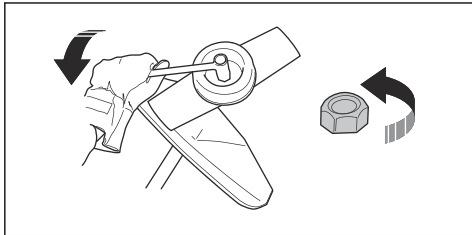
Pričvrščanje i uklanjanje stezne navrtke



UPOZORENJE: Zaustavite motor, nosite zaštitne rukavice i budite oprezni oko oštih ivica priključka za košenje.

Stezna navrtka se koristi za postavljanje određenih tipova priključaka za košenje. Stezna navrtka ima levi navoj.

- Da biste postavili, pritegnite steznu navrtku suprotno od smera okretanja priključka za košenje.
- Da biste uklonili steznu navrtku, otpuštanje stezne navrtke se vrši u smeru okretanja priključka za košenje.
- Da biste olabavili i pritegnuli steznu navrtku, koristite nasadni ključ sa dugom osovinom. Strelica na slici prikazuje oblast gde možete rukovati ključem za navrtke.



UPOZORENJE: Kada otpuštate i pritezete steznu navrtku, postoji opasnost od povrede nožem. Kada ovo radite, uvek morate da se uverite da štitičnik noža sprečava povredu vaše ruke.

Napomena: Uverite se da se stezna navrtka ne može ručno okretati. Zamenite navrtku ako najlonska obloga nema otpor od najmanje 1,5 Nm. Stezna navrtka se mora zameniti nakon što se stavi oko 10 puta.

Oprema za sečenje

Izaberite i održavajte opremu za sečenje kako bi se:

- Ostvarile maksimalne performanse sečenja.
- Produžio vek trajanja opreme za sečenje.
- Pridržavajte se uputstava za proveru, održavanje i servisiranje prigušivača.

- Uvek koristite preporučeni štitičnik za opremu za sečenje. Pogledajte poglavlje Tehnički podaci.



UPOZORENJE: Koristite samo priključke za košenje sa štitičnicima koje smo preporučili! Videti poglavlje o Tehničkim podacima. Pogledajte uputstva za priključak za košenje da biste proverili pravilan način postavljanja trimi niti i pravilan prečnik trimi niti.



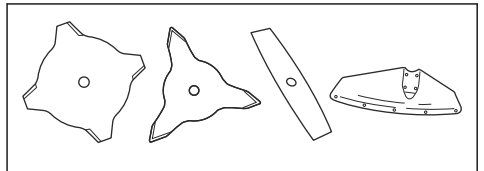
UPOZORENJE: Neispravan uređaj za rezanje može povećati opasnost od nesrećnih slučajeva.



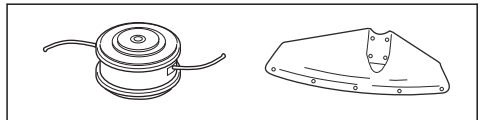
UPOZORENJE: Zaustavite uvek motor pre nego što budete radili nešto na uređaju za rezanje. On nastavlja da se okreće čak i kada se otpusti ručica za gas. Uverite se da se priključak za košenje potpuno zaustavio i skinite kapicu svećice pre nego što budete radili na njemu.

Oprema za sečenje

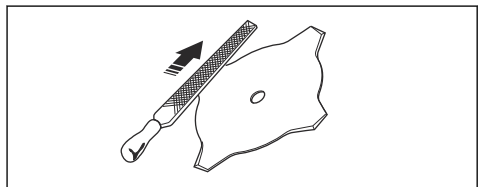
- Koristite sečiva i noževe za travu za rezanje guste trave.



- Glavu trimera koristite za podrezivanje trave.



- Pogrešno naoštren ili oštećen list testere povećava opasnost od nesrećnih slučajeva. Održavajte zube sečiva u dobrom stanju i propisno naoštrene. Pridržavajte se uputstava koje navodi *Održavanje na stranici 149* i koristite preporučenu turpiju za oštrenje.



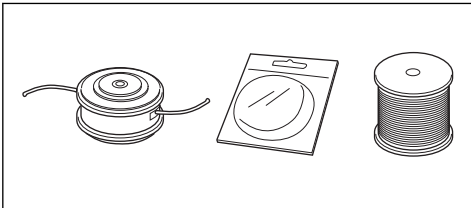
- Pregledajte da li je priključak za košenje oštećen ili naprsao. Zamenite oštećeni priključak za košenje.

- Koristite samo priključke za košenje sa preporučenim štitnicima priključka za košenje. Pogledajte *Dodaci na stranici 156*.

Trimi glava



UPOZORENJE: Uvek vodite računa da struna trimera bude čvrsto i ravnomerno omotana oko bubnja da bi se sprečile štetne vibracije.



- Koristite samo preporučene priključke za košenje.
- Dužina strune trimera je važna. Ako koristite dužu nit trimera, potrebna je veća snaga motora nego za kraću nit istog prečnika.
- Ne menjajte originalni položaj štitnika trimera.
- Proverite da li je nož koji se nalazi na štitniku trimera neoštećen. Time se struna trimera skraćuje na ispravnu dužinu.
- Natapajte strunu trimera 2 dana pre upotrebe, da biste joj produžili vek.

Listovi za košenje trave i noževi za košenje trave

- Koristite proizvod sa odobrenim listom za košenje trave. Nemojte koristiti list za košenje trave bez ispravnog postavljanja svih potrebnih delova. Pobrinite se da se postavljanje izvrši na ispravan način i da se koriste odgovarajući delovi. Nepravilno postavljanje može prouzrokovati da nož odleti i na taj način ozbiljno povredi rukovaoaca ili prisutne osobe.
- Nosite zaštitne rukavice prilikom rukovanja ili vršenja održavanja na listu.
- Koristite zaštitu za glavu kada radite sa proizvodom sa listom za košenje trave.
- Listovi za košenje trave i noževi za košenje trave su namenjeni za sečenje grublje trave.
- List za košenje trave može prouzrokovati telesnu povredu dok nastavlja da se okreće nakon zaustavljanja motora ili otpuštanja prekidača gasa. Uverite se da se list za košenje trave potpuno zaustavio pre vršenja bilo kakvog održavanja.
- Zaustavite motor pre nego što budete radili nešto na priključku za košenje. Uverite se da se priključak za košenje potpuno zaustavio. Isključite kabl sa svećice.
- Koristite samo odobreni priključak za košenje ili pravilno naoštreni nož.
- Održavajte zube sečiva u dobrom stanju i propisno naoštrene.

- Nemojte da koristite oštećeni priključak za košenje.
- Pričvrstite zaštitu za transportovanje na list za košenje trave prilikom transporta ili skladištenja proizvoda.

Udar noža

- Udar noža je naglo pokretanje proizvoda ustranu, unapred ili unazad. Udar noža nastaje kada nož za košenje trave udari o predmet koji se ne može poseći. Rizik od udara noža se povećava u oblastima u kojima nije lako videti materijal koji se reže.
- Kada se udar noža dogodi, postoji rizik da se proizvod ili rukovalac pomere iz položaja. Nož koji se pokreće može udariti prisutne osobe i postoji rizik od telesnih povreda.
- Ako je nož savijen, ima pukotine, slomljen je ili oštećen, morate ga odbaciti.
- Koristite oštar nož. Rizik od udara noža se povećava kada nož nije oštar.

Bezbednost oko goriva

- Nemojte pokretati proizvod ako na njemu postoje tragovi goriva ili motornog ulja. Uklonite neželjeno gorivo/ulje i sačekajte da se proizvod osuši. Uklonite neželjeno gorivo sa proizvoda.
- Ako prospete gorivo na odeću, odmah je presvucite.
- Nemojte dozvoliti da gorivo dospe na vaše telo, ono može izazvati telesnu povredu. Ako gorivo dospe na vaše telo, uklonite ga pomoću sapuna i vode.
- Nemojte pokretati motor ako prospete ulje ili gorivo na proizvod ili vaše telo.
- Nemojte pokretati proizvod ako postoji curenje iz motora. Redovno proveravajte da li postoji curenje iz motora.
- Budite oprezni pri rukovanju gorivom. Gorivo je zapaljivo a isparenja su eksplozivna i mogu izazvati telesne povrede ili smrt.
- Nemojte udisati isparenja goriva, to može izazvati telesnu povredu. Pobrinite se da ima dovoljno protoka vazduha.
- Nemojte pušiti u blizini goriva ili motora.
- Nemojte stavljati vruće predmete blizu goriva ili motora.
- Nemojte dolivati gorivo kada motor radi.
- Uverite se da je motor hladan pre dopunjavanja goriva.
- Pre dopunjavanja goriva, lagano otvorite poklopac rezervoara za gorivo i pažljivo otpustite pritisak.
- Nemojte dolivati gorivo u motor u zatvorenom prostoru. Nedovoljan protok vazduha može izazvati telesnu povredu ili smrt usled gušenja ili prisustva ugljen-monoksida.
- Pažljivo zategnite poklopac rezervoara za gorivo ili može doći do požara.
- Pomerite proizvod najmanje 3 m (10 stopa) od položaja gde ste punili rezervoar pre pokretanja.
- Nemojte sipati previše goriva u rezervoar za gorivo.

- Pobrinite se da ne može doći do curenja kada pomerite proizvod ili kantu za gorivo.
- Nemojte stavljati proizvod ili kantu za gorivo na mesto gde postoji otvoreni plamen, varnice ili pilot gorionik. Uverite se da u skladišnom prostoru nema otvorenog plamena.
- Koristite samo odobrene kante za gorivo prilikom prenošenja ili skladištenja goriva.
- Ispraznite rezervoar za gorivo pre dugotrajnog skladištenja. Pridržavajte se lokalnog zakona u pogledu mesta odlaganja goriva.

- Očistite proizvod pre dugotrajnog skladištenja.
- Skinite kabl svećice pre skladištenja proizvoda kako biste osigurali da se motor ne može slučajno pokrenuti.

Bezbednosna uputstva za održavanje

- Obratite se servisnom centru ako niste u mogućnosti da podesite brzinu praznog hoda potrebnu za zaustavljanje priključka za košenje. Nemojte koristiti proizvod pre nego što je pravilno podešen ili popravljen.

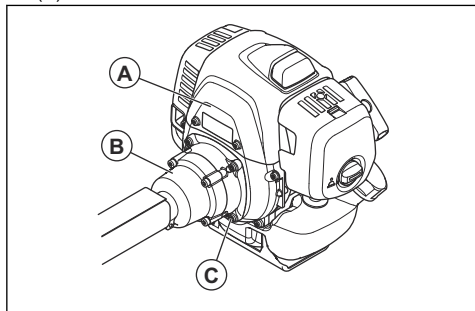
Sklapanje



UPOZORENJE: Pročitajte poglavlje o bezbednosti pre sklapanja proizvoda.

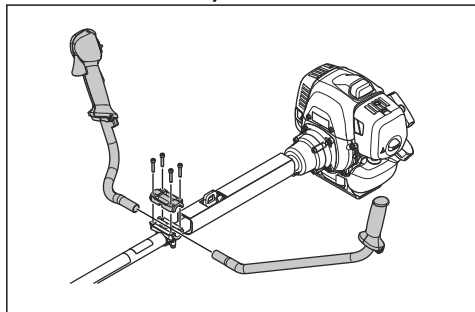
Instalacija tela proizvoda

- Postavite motor (A) na cev (B) pomoću 4 zavrtnja (C).

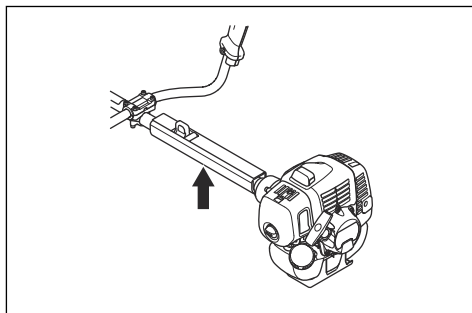


Postavljanje drške(531RS, 541RS)

1. Stavite dršku u stezaljku drške na osovini.

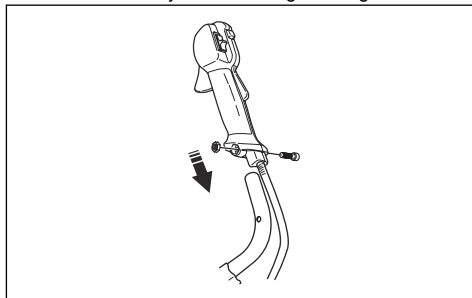


2. Postavite zaštitnu čauru.



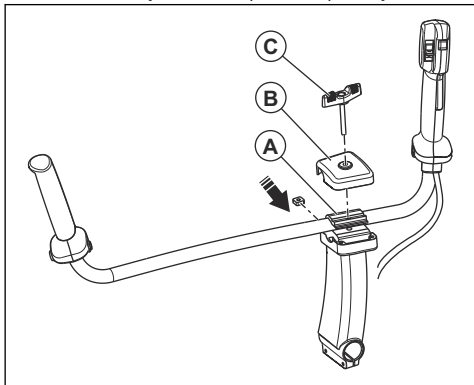
Postavljanje ručice (541RST)

1. Uklonite zavrtnj iza držača regulatora gasa.



2. Postavite ručicu gasa na desnu dršku.
3. Poravnajte otvor iza držača regulatora gasa sa otvorom na ručici.
4. Gurnite zavrtnj kroz otvore. Pritegnite zavrtnj.

5. Stavite sklop drške i četvrtastu navrtku u nosač. Uverite se da je drška u ispravnom položaju.



6. Postavite steznik drške (A), poklopac (B) i točkić (C).
7. Poravnajte otvore za zavrtanj točkića.
8. Pritegnite točkić tako da dobro stegnete dršku.

Postavljanje uprtača

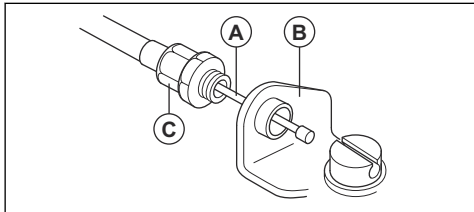
1. Namestite uprtač i obesite proizvod na tačku vešanja.
2. Podesite ručicu kako biste postavili proizvod u udoban radni položaj.



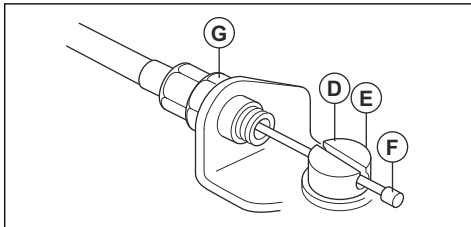
3. Pritegnite zavrtnje do kraja.

Povezivanje sajle gasa i vodova prekidača za zaustavljanje

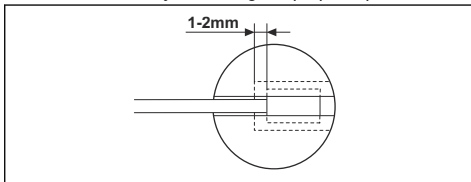
1. Uklonite poklopac filtera za vazduh.
2. Provedite sajlu gasa (A) kroz nosač karburatora (B).



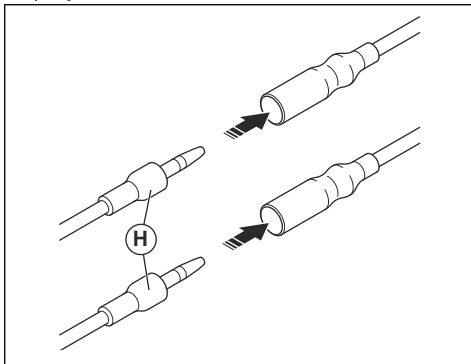
3. Uvrnite rukavac za podešavanje sajle (C) do kraja u karburator.
4. Stavite umetak sa žlebom (D) na karburator. U tom trenu, upušteni otvor (E) za ušku kabla (F) se nalazi sa dalje strane rukavca za podešavanje sajle (C).



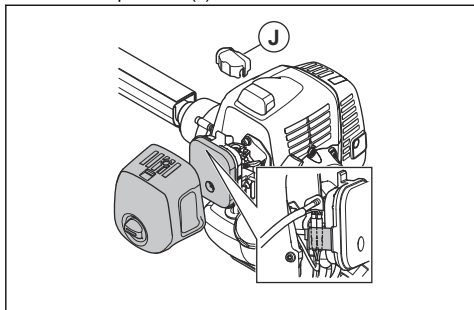
5. Rotirajte ekscentrični točak gasa karburatora i provucite sajlu gasa (A) kroz otvor u umetku sa žlebom.
6. Uverite se da uška kabla (F) upada u upušteni otvor.
7. Povucite obarač gasa nekoliko puta da biste proverili da li pravilno radi.
8. Podesite rukavac za podešavanje sajle (C).
 - a) Uverite se da graničnik na ekscentričnom točku gasa karburatora pravilno naleže na graničnik gasa.
 - b) Uverite se da je položaj sajle takav da se nalazi 1–2 mm između uške kabla (F) i umetka sa žlebom kad je obarač gasa potpuno pušten.



9. Kad pravilno podesite sajlu gasa (A), pritegnite blokirajuću navrtku (G).
10. Povežite kablove prekidača za zaustavljanje (H) sa priključcima iz motora.



11. Postavite prašinar (J).



12. Postavite poklopac vazdušnog filtera.

Postavljanje noževa i trimi glava



UPOZORENJE: Koristite samo odobreni štitičnik za noževe. Pogledajte *Dodaci na stranici 156*. Oštećeni štitičnik može da izazove telesnu povredu.

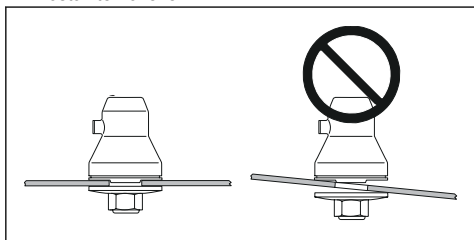


UPOZORENJE: Ako radite sa proizvodom sa nožem za košenje trave, prvo postavite ispravnu ručicu, štitičnik diska i uprtač.



UPOZORENJE: Ako ne postavite noževe na ispravan način, to može dovesti do telesne povrede.

1. Uverite se da se podignuti odeljak na zahvatniku/ oslonj pribrubnici pravilno zaključa u središnji otvor noža.
2. Postavite noževe.

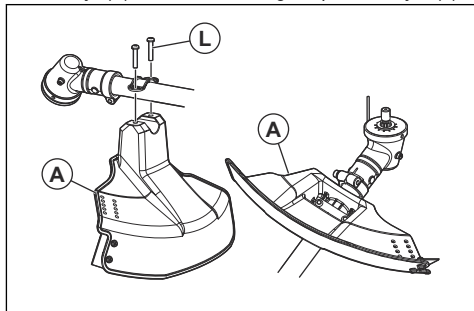


Postavljanje štitičnika reznog lista i lista za travu

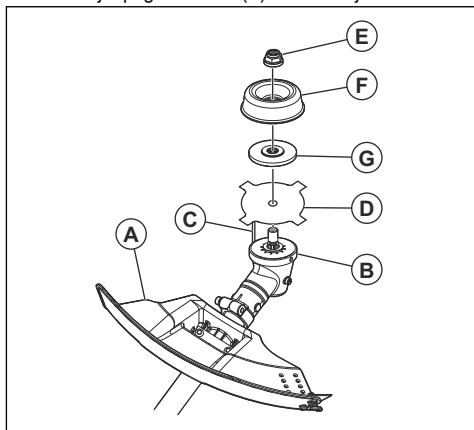


OPREZ: Koristite samo odobreni štitičnik za rezne listove. Pogledajte *Dodaci na stranici 156*.

1. Pričvrstite zaštitu reznog lista / štitičnik priključka za košenje (A) na osovinu i zategnite pomoću vijka (L).



2. Montirajte pogonski disk (B) na izlaznoj osovinu.



3. Okrećite izlaznu osovinu sve dok se jedan od otvora na pogonskom disku ne izravna sa odgovarajućim otvorom na kućištu menjača.
4. Stavite trn za osiguranje ili imbus ključ (C) u otvor tako da se osovinu osigura.
5. Postavite sečivo (D), oslonu pribrubnicu (G) i oslonu šolju (F) na izlaznu osovinu.
6. Postavite navrtku (E). Držite osovinu ključa blizu štitičnika lista. Da biste zategnuli navrtku, morate okrenuti ključ u smeru suprotnom od rotacije. Zategnite navrtku na obrtni momenat od 35–50 Nm / 3,5–5 kpm

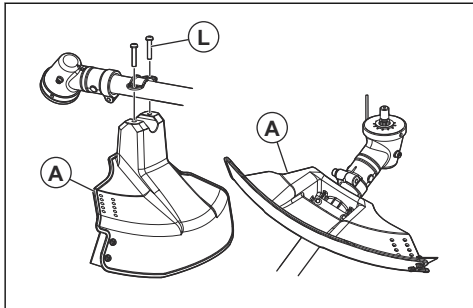
Napomena: Levi navoj.

Postavljanje štitičnika trimera i trimi glave

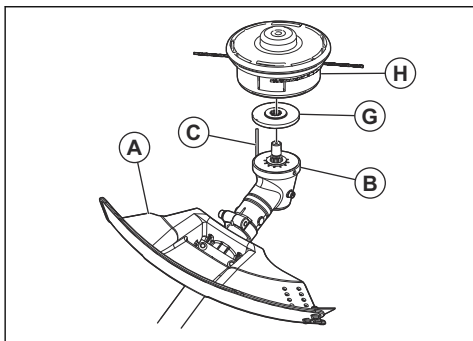


UPOZORENJE: Uverite se da koristite odgovarajući štitičnik trimera za datu glavu trimera.

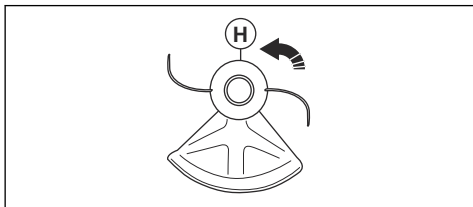
1. Pričvrstite štitnik (A) na osovino pomoću vijaka (L).



2. Postavite pogonski disk (B) i oslonu prirubnicu (G) na izlaznu osovino.



3. Okrećite izlaznu osovino sve dok se otvor na pogonskom disku ne poklopi sa odgovarajućim otvorom na kućištu menjača.
4. Stavite trn za osiguranje ili imbus ključ (C) u otvor tako da se osovina osigura.
5. Okrenite trimi glavu (H) suprotno kretanju kazaljke na satu.

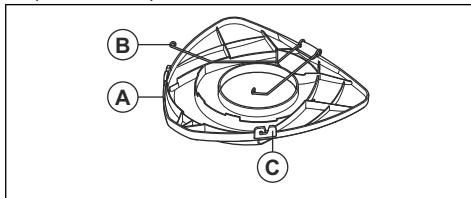


6. Za rastavljanje, izvršite obrnuti proces.

Postavljanje štitnika za transportovanje

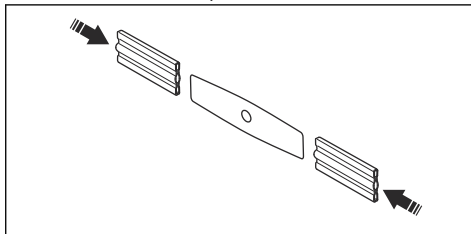
1. Postavite nož u transportni štitnik (A).

2. Stavite dva pričvršćivača (B) u otvore (C) da biste postavili transportni štitnik.



Da biste postavili 2-zubi nož u štitnik

1. Postavite nož u transportni štitnik.



Podešavanje uprtača



UPOZORENJE: Proizvod mora uvek biti sigurno pričvršćen na uprtač. Oštećeni proizvod ne sme da se koristi.

1. Stavite uprtač.
2. Povežite proizvod na uprtač.
3. Podesite uprtač za najbolji radni položaj.
4. Podesite bočne trake da biste težinu proizvoda ravnomerno raspodelili na ramenima.



5. Podesite uprtač tako da priključak za košenje bude paralelan sa tlom.
6. Pustite da priključak za košenje lako dodirne tlo. Podesite stezaljku uprtača da biste ispravno balansirali proizvod.

Napomena: Ako koristite nož za travu, morate ga balansirati približno 10 cm / 4 inča iznad tla.

Rukovanje



UPOZORENJE: Pročitajte i shvatite poglavlje o bezbednosti pre rada sa proizvodom.

Gorivo

Korišćenje goriva



OPREZ: Ovaj proizvod ima dvotaktni motor. Koristite mešavinu benzina i ulja za dvotaktni motor. Pobrinite se da koristite ispravnu količinu ulja u mešavini. Nepravilna razmera benzina i ulja može prouzrokovati oštećenje motora.

Benzin



OPREZ: Nemojte koristiti benzin sa oktanskim brojem manjim od 90 RON (87 AKI). To može prouzrokovati oštećenje proizvoda.



OPREZ: Nemojte koristiti benzin sa više od 10% koncentracije etanola (E10). To može prouzrokovati oštećenje proizvoda.



OPREZ: Nemojte koristiti olovni benzin. To može prouzrokovati oštećenje proizvoda.

- Uvek koristite sveži bezolovni benzin sa minimalnim oktanskim brojem od 90 RON (87 AKI) i sa manje od 10% koncentracije etanola (E10).
- Koristite benzin sa višim oktanskim brojem ako često koristite proizvod pri kontinuirano visokoj brzini motora.
- Uvek koristite kvalitetnu mešavinu bezolovnog benzina/ulja.

Ulje za dvotaktni motor

- Koristite samo kvalitetno ulje za dvotaktne, naročito HUSQVARNA ulje za dvotaktne motore. Koristite samo ulje predviđeno za vazdušno hlađeni motor.
- Razmera mešavine 50:1 (2%).
- Ulje lošeg kvaliteta i visok postotak ulja u gorivu trajanje katalizatora.
- Obratite se prodavcu pri biranju ulja.
- Ako Husqvarna ulje za dvotaktne motore nije dostupno, možete da koristite drugo ulje za dvotaktne motore dobrog kvaliteta koje za formulisano za motore sa vazdušnim hlađenjem. Obratite se prodavcu pri biranju ulja.

- Nemojte koristiti ulje za dvotaktne motore koje je napravljeno za vodeno hlađene vanbrodske motore. Ulje za dvotaktne motore se ponekad naziva „ulje za vanbrodske motore“.

Benzin, litara	Ulje, litar
	2% (50:1)
5	0,1
10	0,2
15	0,3
20	0,4

Pravljenje mešavine goriva

Napomena: Uvek koristite čistu kantu za gorivo kada mešate gorivo.

Napomena: Nemojte praviti zalihe mešavine goriva veće od količine potrebne za 30 dana rada.

1. Dodajte polovinu količine benzina.
2. Dodajte punu količinu ulja.
3. Promućkajte mešavinu goriva kako bi se sadržaj izmešao.
4. Dodajte preostalu količinu benzina.
5. Promućkajte mešavinu goriva kako bi se sadržaj izmešao.
6. Napunite rezervoar za gorivo.

Dolivanje goriva



UPOZORENJE: Nemojte pušiti niti približavati vruće predmete gorivu. Pre dodavanja goriva zaustavite motor i sačekajte nekoliko minuta da se ohladi.



UPOZORENJE: Kad dodate gorivo, polako otvorite čep rezervoara za gorivo da biste izjednačili pritisak.



UPOZORENJE: Kad dodate gorivo, pažljivo zategnite čep rezervoara za gorivo. Udaljite mašinu od prostora za disanje goriva i električnih vodova pre pokretanja motora.

- Uvek koristite kantu za gorivo sa ventilom protiv prosipanja.

- Uverite se da je područje oko poklopca rezervoara za gorivo čisto. Nečistoća koja prodre u rezervoar može prouzrokovati smetnje u radu motora.
- Promućkajte kantu za gorivo pre dolivanja mešavine goriva u rezervoar za gorivo.

Pokretanje i zaustavljanje

Pregled pre pokretanja

1. Pregledajte proizvod kako biste se uverili da nema nedostajućih, oštećenih, labavih ili pohabanih delova.
2. Pregledajte navrtke, zavrtnje i vijke.
3. Pregledajte listove.
4. Proverite steznu navrtku. Uverite se da stezna navrtka ima minimalnu silu blokiranja od 1,5 Nm (1,1 ft lb). Pritegnite steznu navrtku na 35-50 Nm (26-36 ft lb).
5. Pregledajte filter za vazduh.
6. Proverite blokadu prekidača gasa i komandu gasa.
7. Proverite prekidač za zaustavljanje.
8. Proverite da li ima curenja goriva iz proizvoda.

Pokretanje hladnog motora



UPOZORENJE: Pre pokretanja proizvoda, postavite kompletan poklopac kvačila i osovinu. Labavo kvačilo može da izazove povrede. Koristite rukavice.



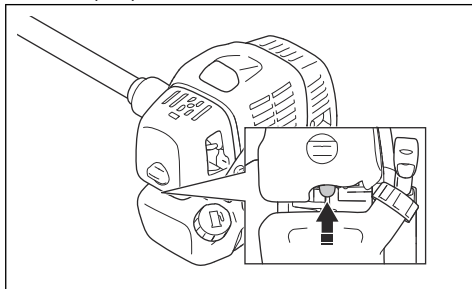
UPOZORENJE: Udaljite proizvod od prostora za dosipanje goriva i izvora goriva. Položite ga na ravnu površinu. Uverite se da ništa ne dodiruje nastavak za rezanje.



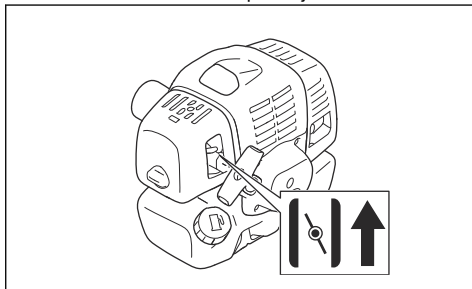
UPOZORENJE: Pobrinite se da samo ovlašćene osobe budu u radnoj oblasti. U suprotnom može da dođe do teških povreda. Bezbedna udaljenost je 15 m.

1. Postavite prekidač za zaustavljanje u položaj za pokretanje.

2. Pritisčajte pumpu za vazduh dok gorivo ne počne da ulazi u pumpu.



3. Pomerite kontrolu čoka u položaj čoka.



4. Držite proizvod na tlu. Lagano izvlačite užu startera desnom rukom dok ne osetite određeni otpor.



Napomena: Nemojte namotavati užu startera oko ruke.



OPREZ: Ne izvlačite užu startera do kraja. Držite dršku užeta startera kad ga izvučete do kraja. Ako se ne budete pridržavali ovih uputstava to može imati za posledicu oštećenje motora.

5. Brzo i snažno povucite užu startera dok ne čujete da se motor pokrenuo.
6. Vratite kontrolu čoka u položaj za rad.

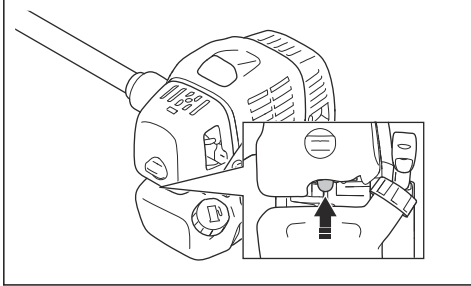


UPOZORENJE: Nemojte dodirivati poklopac. To može dovesti do opekotina kože i prouzrokovati strujni

udar ako je kapica svećice oštećena. Ne koristite proizvod sa oštećenom kapicom za svećicu.

Pokretanje toplog motora

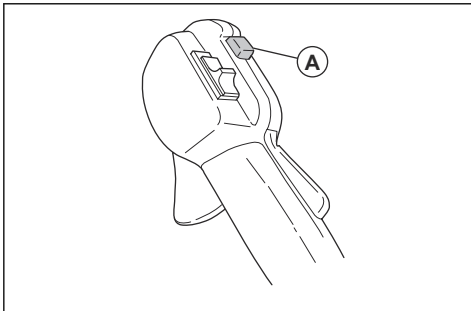
1. Postavite prekidač za zaustavljanje u položaj za pokretanje.
2. Pritiskajte pumpu za vazduh dok gorivo ne počne da ulazi u pumpu.



3. Podesite kontrolu čoka u radni položaj, a zatim vucite užu startera dok se motor ne pokrene.

Za pokretanje pomoću ručice gasa sa kočnicom regulatora gasa

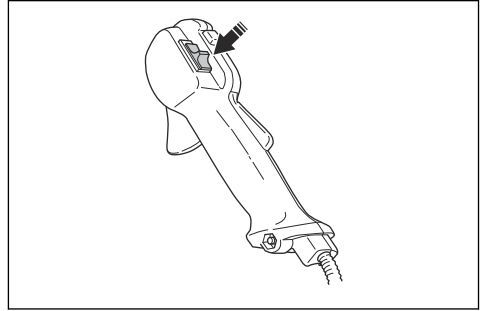
1. Gurnite blokadu gasa i prekidač gasa da biste postavili gas u položaj za pokretanje. Zatim pritisnite taster za pokretanje gasa (A).
2. Otpustite kočnicu regulatora gasa i prekidač gasa, pa dugme gasa za pokretanje. Delovanje paljenja gasa je sada aktivirano.
3. Da bi se motor vratio na položaj praznog hoda, ponovo pritisnite kočnicu regulatora gasa i prekidač gasa.



Zaustavljanje motora

1. Gurnite obarač gasa u položaj praznog hoda.

2. Pomerite prekidač za zaustavljanje u položaj za zaustavljanje.



Rad sa trimerom za travu



OPREZ: Pobrnite se da se motor uspori u brzini praznog hoda nakon svakog rada. Dug period rada pri punom gasu bez opterećenja na motoru može izazvati oštećenje motora.

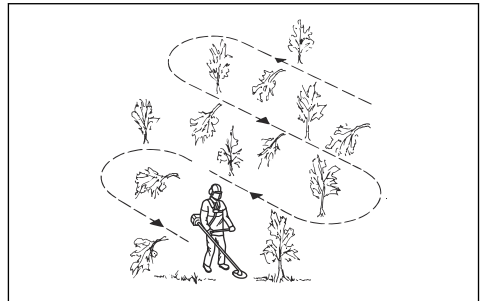
Napomena: Očistite poklopac trimi glave kada pričvrstite novu trimi nit kako biste sprečili vibracije. Pregledajte ostale delove trimi glave i očistite ih ako je potrebno.

Opšta radna uputstva



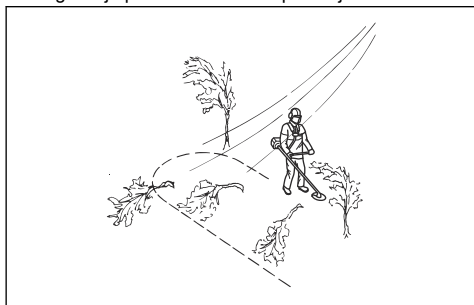
UPOZORENJE: Budite pažljivi prilikom rezanja napetog stabla. Može odskočiti u svoj normalni položaj pre ili nakon reza, i udariti proizvod ili vas, te vam naneti telesnu povredu.

- Račistite otvoreni prostor na jednom kraju radnog područja i započnite rad sa tog mesta.
- Krećite se preko radnog područja koristeći standardni obrazac kretanja.



- Pomerajte proizvod potpuno ulevo i udesno kako biste očistili širinu od 4–5 m (13-16 stopa) pri svakom okretu.

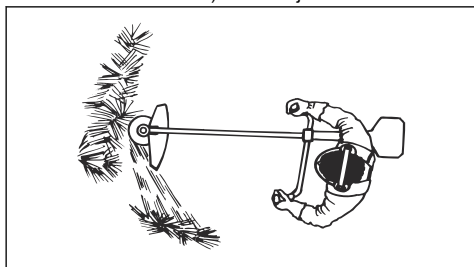
- Raščistite dužinu od 75 m (250 stopa) pre nego što se okrenete i vratite. Nosite sa sobom kantu za gorivo kako nastavljate kretanje.
- Krećite se u pravcu u kojem ne idete preko jaraka i prepreka više nego što je potrebno.
- Krećite se u pravcu u kojem vetar čini da odrezana vegetacija pada u raščišćeno područje.



- Krećite se duž nagiba, a ne gore i dole.

Čišćenje trave pomoću lista za košenje trave

1. Razdvojite stopala tokom rada proizvodom. Stojte čvrsto na tlu sa oba stopala.
2. Stavite oslonu šolju da ovlaš leži na tlu. To sprečava da nož dodirne tlo.
3. Za čist rez koristite bočni pokret zdesna nalevo. Koristite levu stranu noža (kao u položaju kazaljki između 8 i 12 časova) za sečenje.

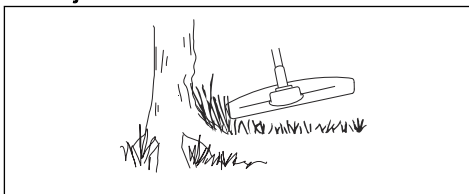


4. Kad raščišćavate travu, nagnite nož ulevo.

Napomena: Trava se lako skuplja u vodu.

5. Za povratni rez koristite bočni pokret sleva nadesno.
6. Radite ritmično.
7. Pomerajte se napred i čvrsto stojte na zemlji.
8. Zaustavite motor.
9. Odvojite proizvod od kopče uprtača.
10. Spustite proizvod na tlo.
11. Skupite odrezani materijal.

Čišćenje

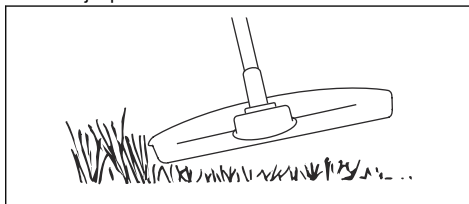


Da biste postigli najbolje rezultate:

- Držite trimer tako da glava trimera bude odmah iznad tla.
- Nagnite glavu trimera pod blagim uglom.
- Pustite da kraj strune trimera udara tlo oko predmeta.

Skraćivanje trave

1. Držite glavu trimera odmah iznad tla i pod uglom. Nemojte pritiskati trimi nit u travu.

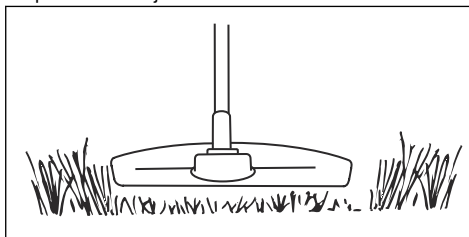


2. Smanjite dužinu trimi niti za 10–12 cm / 4–4,75 inča.
3. Smanjite brzinu motora da biste smanjili rizik od oštećenja biljaka.
4. Koristite 80% gasa kada kosite travu blizu predmeta.

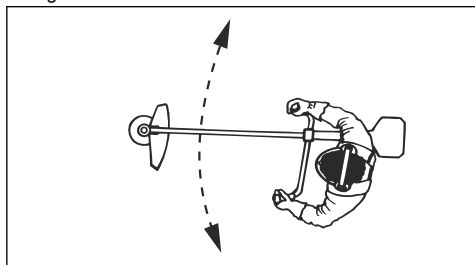


Košenje trave

1. Pazite da struna trimera bude paralelna sa tlom prilikom košenja.



2. Nemojte pritiskati glavu trimera o tlo. Može doći do uništenja tla i oštećenja proizvoda.
3. Nemojte dozvoliti da trimera glava neprestano dodiruje tlo, to može prouzrokovati oštećenje glave trimera.
4. Koristite pun gas kada pomerate proizvod od ugla do ugla dok kosite travu.



Pometanje trave

Protok vazduha iz rotirajuće trimi niti može se koristiti za uklanjanje isečene trave iz područja.

1. Držite trimi glavu i trimi nit paralelno sa tlom i iznad tla.
2. Primenite pun gas.
3. Pomerajte trimi glavu sa strane u stranu i raščišćavajte travu.



UPOZORENJE: Očistite poklopac trimi glave svaki put kada postavljate novu trimi nit kako biste sprečili neravnotežu i vibracije u ručicama. Takođe izvršite pregled drugih delova trimi glave i očistite ih po potrebi.

Zamena trimi niti

Pogledajte poslednju stranicu korisničkog uputstva.

Održavanje



UPOZORENJE: Pročitajte i shvatite poglavlje o bezbednosti pre čišćenja, popravke ili održavanja proizvoda.

Šema održavanja

Održavanje	Dnevno	Nedeljno	Mesečno
Očistite spoljnu površinu.	X		
Pregledajte da li je uprtač oštećen.	X		
Proverite gas i prekidač gasa.	X		
Uverite se da se priključak za košenje ne okreće pri brzini praznog hoda.	X		
Izvršite proveru prekidača za zaustavljanje. Pogledajte <i>Da biste proverili rad prekidača za zaustavljanje na stranici 137.</i>	X		
Pregledajte da li na štitniku priključka za košenje postoje oštećenja i naprsline.	X		
Uverite se da je list za travu poravnat sa sredinom. Uverite se da je list za travu oštar i da list ili centralni otvor nisu oštećeni.	X		
Pregledajte da li na trimi glavi postoje oštećenja i naprsline. Zamenite ako je potrebno.	X		
Pregledajte da ručica i upravljač nisu oštećeni i uverite se da su ispravno pričvršćeni.	X		
Za priključke za košenje sa oslonom šoljom, pravilno zategnite vijak za blokiranje.	X		
Za priključke za košenje sa steznom navrtkom, pravilno zategnite steznu navrtku.	X		

Održavanje	Dnevno	Nedeljno	Mesečno
Pregledajte da nije oštećena zaštita za transportovanje i uverite se da se može pravilno postaviti.	X		
Pregledajte da motor, rezervoar za gorivo i vodovi za gorivo ne cure.	X		
Očistite filter za vazduh. Zamenite ako je potrebno.	X		
Pritegnite navrtke i zavrtnje.	X		
Proverite da li je filter za gorivo zaprljan. Takođe pregledajte crevo za dovod goriva u pogledu naprslina i drugih oštećenja. Zamenite ako je potrebno.	X		
Pregledajte sve kablove i spojeve.	X		
Pregledajte starter i uže startera u pogledu oštećenja.		X	
Proverite svećicu. Pogledajte <i>Pregled svećice na stranici 152.</i>		X	
Uverite se da je menjač ugla napunjen mazivom do $\frac{3}{4}$.		X	
Očistite spoljnu površinu karburatora i prostor oko njega.		X	
Očistite svećicu. Uklonite svećicu i proverite zazor elektroda. Podesite zazor elektroda ili zamenite svećicu ako je potrebno. Pogledajte <i>Tehnički podaci na stranici 154.</i> Postarajte se da svećica ima prigušivač.		X	
Proverite da li ima habanja na kvačilu, opruzi kvačila i bubnju kvačila. Zamenite ako je potrebno.			X
Zamenite svećicu. Postarajte se da svećica ima prigušivač.			X
Podmažite pogonsko vratilo.			X
Uverite se da elementi za prigušivanje vibracija nisu oštećeni.		X	
Očistite sistem za hlađenje proizvoda.		X	
Očistite prigušivač.			X

Podešavanje karburatora

Karburator je podešen na osnovni režim rada prilikom testiranja u fabrici. Podešavanje mora da obavi obučeni tehničar.

Da biste proverili prigušivač



UPOZORENJE: Nemojte koristiti proizvod koji ima oštećeni prigušivač. Uvek zamenite oštećeni prigušivač.



UPOZORENJE: Rizik od ozljeda ili požara. Prigušivači sa katalizatorima budu veoma vrući tokom rada.



UPOZORENJE: Rizik od požara. Prigušivač umanjuje nivo buke i usmerava izdovne gasove od rukovaoca. Izdovni gasovi su vrući i mogu sadržavati varnice.



OPREZ: Mrežica hvatača varnica mora biti zamenjena ako je oštećena. Nemojte koristiti proizvod ako nedostaje mrežica hvatača varnica na prigušivaču ili ako je oštećena.



OPREZ: Ako je mrežica hvatača varnica zapušena doći će do pregrevanja proizvoda i to može prouzrokovati oštećenja cilindra i klipa.

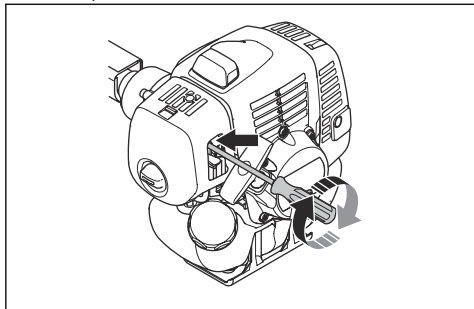
1. Uverite se da prigušivač nije oštećen.
2. Uverite se da je prigušivač pravilno pričvršćen na proizvod.

Podešavanje brzine praznog hoda

Vaš Husqvarna proizvod je napravljen prema specifikacijama tako da smanjuje štetne emisije.

1. Uverite se da je filter za vazduh čist i da je poklopac filtera za vazduh pričvršćen pre podešavanja brzine praznog hoda.

2. Podesite brzinu praznog hoda pomoću zavrtnja za podešavanje praznog hoda T koji je označen oznakom „T“.
- a) Okrećite zavrtnj za prazan hod T u pravcu kazaljke na satu sve dok priključak za košenje ne počne da se okreće.



- b) Okrećite zavrtnj za podešavanje praznog hoda T suprotno kretanju kazaljke na satu sve dok se priključak za košenje ne zaustavi, a buka iz kvačila ne smanji.



UPOZORENJE: Ako se priključak za košenje ne zaustavi kada podesite brzinu praznog hoda, obratite se servisu. Nemojte koristiti proizvod pre nego što je ispravno podešen ili popravljen.

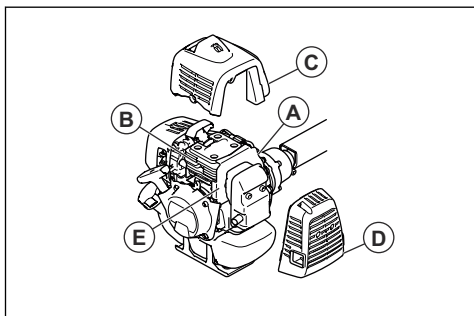
3. Brzina praznog hoda je ispravna kada motor ravnomerno radi u svim položajima. Brzina praznog hoda treba da bude manja od brzine pri okretanju priključka za košenje.

Napomena: Pogledajte *Tehnički podaci na stranici 154* za preporučene brzine praznog hoda.

Sistem za hlađenje

Proizvod ima sistem za hlađenje da bi se radna temperatura održavala nižom.

Sistem za hlađenje uključuje:



- Krilca na zamajcu (A)

- Krilca za hlađenje na cilindru (B)
- Poklopac cilindra (C) (dovodi hladan vazduh na cilindar)
- Poklopac prigušivača (D)
- Ploča prigušivača (E)

Čišćenje sistema za hlađenje

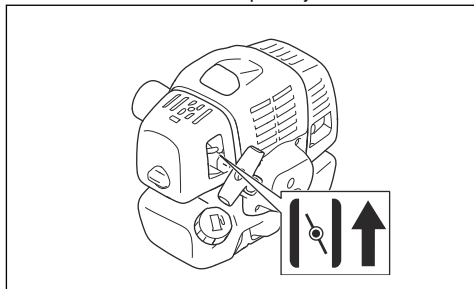


UPOZORENJE: Zaprljan ili zapušen sistem za hlađenje izaziva pregrevanje. To oštećuje klip i cilindar.

1. Čistite delove rashladnog sistema četkom bar jednom nedeljno.

Filter za vazduh

- Čistite filter u intervalima od 25 sati. Po potrebi čistite češće.
- Postavite kontrolu čoka u položaj za čok.



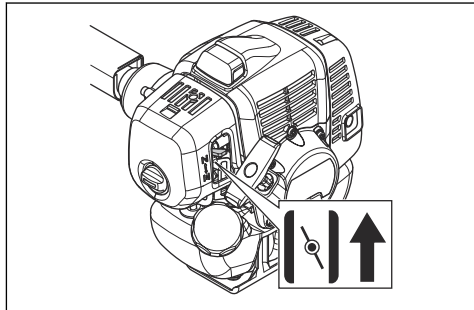
Čišćenje filtera za vazduh



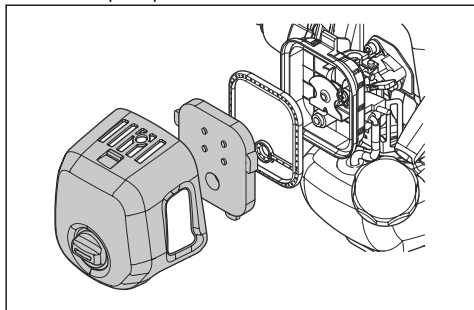
OPREZ: Uvek zamenite filter za vazduh koji je oštećen, veoma zaprljan ili natopljen gorivom.

Ako koristite filter za vazduh duže vreme, on se ne može u potpunosti očistiti. Zamenite filter za vazduh novim u redovnim intervalima.

1. Zatvorite prigušni ventil.



2. Uklonite poklopac filtera za vazduh.



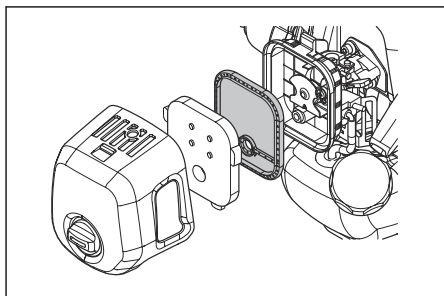
3. Uklonite filter za vazduh.
4. Očistite filter za vazduh toplom sapunjavom vodom.
5. Zamenite filter za vazduh ako je previše zaprljan i ne može se propisno očistiti. Uvek zamenite oštećeni filter za vazduh.
6. Očistite unutrašnju površinu poklopca filtera. Koristite vazduh ili četku.
7. Uverite se da je filter za vazduh suv pre nego što ga ponovo postavite.

Filter od filca

- Pažljivo kucnite filter od filca o dlan ili ga očistite komprimovanim vazduhom.

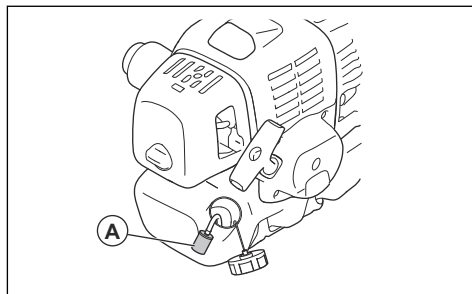


OPREZ: Nemojte da čistite filter od filca vodom. Voda može da ošteti filter od filca.



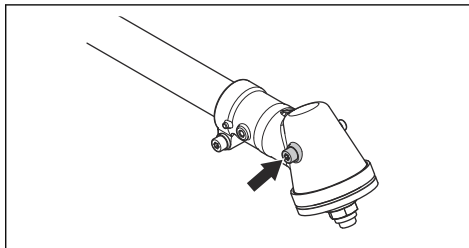
Filter za gorivo

Ako oslabi dovod goriva u motor, uverite se da nije došlo do začepljenja na poklopcu rezervoara za gorivo i na filteru za gorivo (A).



Nanošenje maziva u menjač ugla

- Uverite se da je menjač ugla napunjen mazivom u količini od ¼.

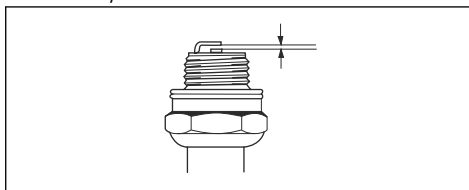


Pregled svećice



OPREZ: Uvek upotrebljavajte preporučeni tip svećice. Neodgovarajući tip svećice može da ošteti proizvod.

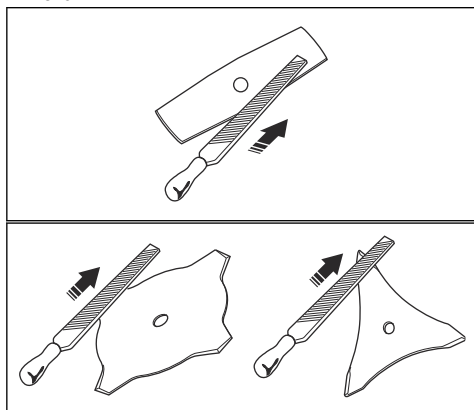
- Pregledajte svećicu ako je snaga motora mala, ako se teško pokreće ili nepravilno radi u praznom hodu.
- Da biste smanjili rizik od nakupljanja neželjenog materijala na elektrodama svećice, poštujujte sledeća uputstva:
 - a) Uverite se da je broj obrtaja na praznom hodu pravilno podešen.
 - b) Uverite se da je mešavina dobro napravljena.
 - c) Uverite se da je filter za vazduh čist.
- Ako je svećica prljava, očistite je i ujedno proverite da li je razmak između elektroda tačan, pogledajte *Tehnički podaci na stranici 154*.



- Zamenite svećicu ako je potrebno.

Oštrenje noževa za košenje trave i listova za košenje trave

- Podjednako naoštrite sve ivice noževa za košenje trave i listova za košenje trave kako bi se održala ravnoteža. Koristite pljosnату turpiju sa jednostrukim rezom.



Rešavanje problema

Rešavanje problema

Pokretanje nije uspelo		
Provera	Mogući uzrok	Rešenje
Dugme za zaustavljanje	Položaj zaustavljanja	Postavite prekidač za zaustavljanje u položaj za pokretanje.
Startne kopče	Zapinjači koji zapinju	Podesite ili zamenite zapinjače.
		Očistite oko zapinjača.
		Obratite se ovlašćenom servisnom centru.
Rezervoar za gorivo	Neispravni tip goriva.	Ispraznite rezervoar i koristite ispravno gorivo.
Karburator	Podešavanje brzine praznog hoda.	Prilagodite brzinu praznog hoda pomoću T-zavrtnja.
Varničenje (nema varnica)	Svećica je zamašćena ili mokra.	Postarajte se da svećica bude suva i čista.
	Zazor svećice je pogrešan.	Očistite svećicu. Proverite da li je ispravan zazor elektrode. Postarajte se da svećica ima prigušivač.
		Informacije o tačnom rastojanju elektroda potražite u tehničkim podacima.

Pokretanje nije uspelo		
Provera	Mogući uzrok	Rešenje
Svećica	Svećica je labavo postavljena.	Zategnite svećicu.
Filter za gorivo	Filter za gorivo je zapušten.	Zamenite filter za gorivo.

Motor se pokreće ali ne nastavlja da radi		
Provera	Mogući uzrok	Rešenje
Rezervoar za gorivo	Neispravan tip goriva.	Ispraznite rezervoar i koristite ispravno gorivo.
Karburator	Motor ne radi ispravno u praznom hodu.	Obratite se dileru.
Filter za vazduh	Filter za vazduh je zapušten.	Očistite filter za vazduh.
Filter za gorivo	Filter za gorivo je zapušten.	Zamenite filter za gorivo.

Transport i skladištenje

- Oprema mora biti bezbedna tokom transporta kako bi se sprečilo oštećenje i nesrećni slučajevi.
- Držite proizvod i opremu na suvom mestu otpornom na mraz.
- Očistite proizvod.
- Zamenite ili popravite oštećene komponente.
- Koristite odgovarajući zaštitni poklopac na proizvodu koji ne zadržava vlagu.
- Proizvod mora biti dobro pričvršćen tokom transportovanja.

Tehnički podaci

Tehnički podaci

	531RS	541RS	541RST
Motor			
Zapremina cilindra, cm ³	33,6	41,5	41,5
Prečnik cilindra, Ø°mm	36	40	40
Dužina hoda u cilindru, mm	33.	33.	33.
Brzina praznog hoda, min ⁻¹ (o/min)	2500±200	2500±200	2500±200
Preporučena maksimalna brzina, min ⁻¹ (o/min)	12000	12000	12000

	531RS	541RS	541RST
Brzina izlazne osovine, min ⁻¹ (o/min)	8570	8570	8570
Maks. izlazna snaga motora, prema ISO 8893, kW na minmin ⁻¹ (o/min)	1,2/1,6 na 7000	1,6/2,1 na 7000	1,6/2,1 na 7000
Prigušivač sa katalizatorom	Ne	Ne	Ne
Sistem paljenja			
Svećica	NGK BPMR7A	NGK BPMR7A	NGK BPMR7A
Zazor elektroda, mm	0,6–0,7	0,6–0,7	0,6–0,7
Sistem za gorivo i podmazivanje			
Kapacitet rezervoara za gorivo, l	0,74	0,94	0,94
Težina			
Bez priključka za košenje, štitnika priključka za košenje, uprtača i praznih rezervoara, kg	7,2	7,4	7,6
Emisija buke ¹⁶			
Nivo zvučne snage, mereno dB (A)	104	105	105
Nivo zvučne snage, garantovano L _{WA} dB(A)	109	109	109
Nivoi buke ¹⁷			
Ekvivalent nivoa buke kod uha rukovaoca, izmereno prema standardu EN ISO 11806 i ISO 22868, dB(A).			
Opremljeno trimi glavom (original)	90	94	94
Opremljeno nožem za travu (original)	89	95	95
Nivoi vibracije ¹⁸			
Ekvivalentni nivoi vibracije (a _{hv,eq}) na ručkama, mereni prema EN ISO 11806 i ISO 22867, m/s ²			
Opremljeno trimi glavom (original), levo/desno	2,8/3,0	3,1/2,8	5,6/5,1
Opremljeno nožem za travu (original), levo/desno	4,2/4,0	4,5/5,0	7,1/6,3

¹⁶ Emisije buke u životnoj sredini merene kao zvučna snaga (L_{WA}) u skladu sa direktivom 2000/14/EZ. Izveštajni nivo zvučne snage za mašinu meren je sa originalnim priključkom za košenje koji daje najviši nivo. Razlika između garantovanog i izmerenog nivoa zvučne snage je da garantovana zvučna snaga takođe obuhvata raspršenje rezultata merenja i razlike između različitih proizvoda istog modela u skladu sa Direktivom 2000/14/EC.

¹⁷ Prijavljeni podaci za ekvivalentni nivo zvučnog pritiska imaju tipično statističko raspršenje (standardno odstupanje) od 3 dB (A).

¹⁸ Podaci o nivou vibracije imaju tipičnu statističku disperziju (standardnu devijaciju) od 1,5 m/s².

Dodaci

Dodaci

Odobrena oprema	Tip opreme	Štitnik priključka za rezanje, br. dela.
List za travu/nož za travu	Multi 255-3 (Ø 255, 3 zupca)	584 40 42-01
	Multi 275-4 (Ø 275, 4 zupca)	584 40 42-01
	Multi 300-3 (Ø 300, 3 zupca)	584 40 42-01
	Multi 330-2 (Ø 330, 2 zupca)	584 40 42-01
Plastični rezni listovi	Tricut Ø 300 mm (zasebni noževi imaju broj dela 531 01 77-15)	584 40 42-01
Trimi glava	T35, T35X (Ø 2,4–3,0 mm nit)	584 40 42-01
	S35 (Ø 2,4–3,0 mm nit)	584 40 42-01
	T45, T45x (Ø 2,7–3,3 mm nit)	584 40 42-01
	T55x (Ø 2,7–3,3 mm nit)	584 40 42-01
	S II	584 40 42-01
Oslona šolja	Fiksirano	–

Deklaracija o usklađenosti

EZ deklaracija o usaglašenosti

Ime izdavača: **Husqvarna AB**, SE-561 82 Huskvarna, Švedska, tel: +46-36-146500.

Husqvarna AB preuzima potpunu odgovornost za predmet ove deklaracije: Benzinski trimer i/ili rezač žbunja, platforme G34L i G43L predstavljajući modele **Husqvarna 531RS, 541RS i 541RST** od serijskih brojeva za 2024. godinu i novijih. Broj platforme i broj modela su jasno navedeni jednostavnim jezikom na pločici tipa zajedno sa godinom i sledećim serijskim brojevima.

Svrha gore navedene izjave u skladu je sa zahtevima direktive Veća:

- od 17. maja 2006, „u vezi sa mašinerijom“ **2006/42/EZ**.
- od 26. februara 2014, „koja se odnosi na elektromagnetnu kompatibilnost“ **2014/30/EU**.
- od 8. maja 2000, „koja se odnosi na emisije buke u okruženju“ **2000/14/EZ**.
- od 8. juna 2011, o „ograničenju upotrebe određenih opasnih supstanci“ **2011/65/EU**.

Primenjena procedura provere usaglašenosti u skladu s Direktivom 2000/14/EZ, dodatak V.

Za informacije o emisiji buke pogledajte *Tehnički podaci na stranici 154*.

Primenjeni su sledeći standardi:

EN ISO 11806-1:2022, EN ISO 14982:2009, EN ISO 12100:2010, EN IEC 63000:2018

TÜV Rheinland LGA Products GmbH, Tillystrasse 2, D-90431 Nirnberg, Nemačka, 0197, izvršio je volonterski pregled u ime kompanije Husqvarna AB i pružio je AM 50609261 (541RS, 541RST), AM 50609279 (531RS) – sertifikat o usaglašenosti sa direktivom Veća Evropske zajednice 2006/42/EZ za mašineriju. Ovaj sertifikat se primenjuje na sve proizvodne lokacije i zemlje porekla, kao što je navedeno na proizvodu. Isporučeni trimer za travu i/ili rezač žbunja usaglašen je sa primerkom koji je prošao pregled.

Husqvarna AB, Huskvarna, Švedska, 2024-01-15



Claes Losdal, menadžer sektora za istraživanje i razvoj, Husqvarna AB

Odgovoran za tehničku dokumentaciju



Зміст

Вступ.....	158	Транспортування та зберігання.....	181
Безпека.....	160	Технічні характеристики.....	181
Збирання.....	167	Додаткове приладдя.....	183
Експлуатація.....	171	Декларація відповідності.....	184
Технічне обслуговування.....	175	Додаток	208
Усунення несправностей.....	180		

Вступ

Опис виробу

Цей виріб є тримером /травокосаркою з двигуном внутрішнього згоряння.

Ми постійно працюємо над підвищенням вашої безпеки й ефективності роботи. По додаткову інформацію звертайтеся до свого сервісного дилера.

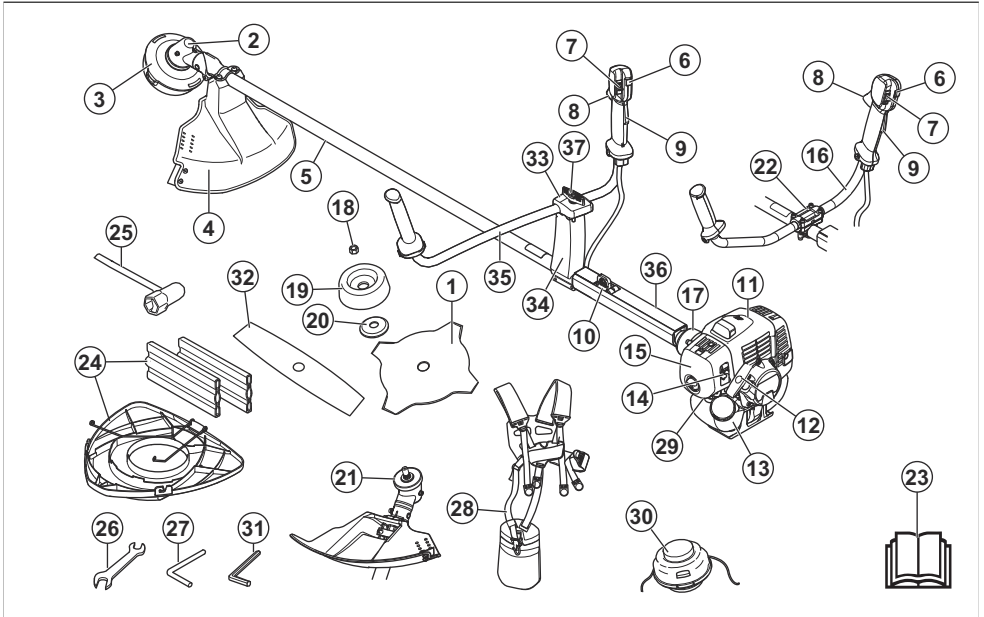
Правильне використання

Виріб може використовуватися з насадками на кшталт ножа для трави або головки тримера для

зрізання різних типів рослинності. Забороняється використовувати виріб для інших завдань, окрім підстригання й скошування трави. Для скошування трави використовуйте ніж для трави або головки тримера.

Зверніть увагу: Дотримуйтесь вимог національних чи місцевих документів, що стосуються поводження з пристроєм.

Огляд виробу



1. Лезо (доступне не в усіх регіонах)
2. Ковпачок отвору для мастила, кінцева зубчаста передача
3. Зубчаста передача

4. Захисний кожух різальної насадки
5. Вал
6. Кнопка запуску дроселя
7. Вимикач

8. Важіль керування дроселем
9. Стопор курка газу
10. Кільце підвісної системи
11. Кришка циліндра
12. Ручка стартера
13. Паливний бак
14. Керування повітряною заслінкою
15. Кришка повітряного фільтра
16. Рукоятка (531RS, 541RS)
17. Кришка зчеплення
18. Стопорна гайка
19. Опорна манжета
20. Опорний фланець
21. Приводний диск
22. Затискач рукоятки (531RS, 541RS)
23. Посібник користувача
24. Чохол для транспортування (доступний не в усіх регіонах)
25. Торцевий гайковий ключ
26. Ключ
27. Стопорний штифт (для виробів без шестигранного ключа)
28. Пасова підвіска
29. Кнопка продувки повітрям
30. Головка тримера (доступна не в усіх регіонах)
31. Шестигранний ключ
32. Лезо з двома зубцями (доступне не в усіх регіонах)
33. Кришка (541RST)
34. Кронштейн (541RST)
35. Рукоятка (541RST)
36. Захисна муфта
37. Фіксувальна головка (541RST)

Символи на виробі



УВАГА! Цей виріб може бути небезпечним і здатний спричинити тяжкі травми або смерть оператора чи сторонніх осіб. Будьте обережні й використовуйте виріб належним чином.



Перед користуванням виробом уважно прочитайте посібник користувача й переконайтеся, що ви зрозуміли всі вказівки.



На ділянках, де існує ризик падіння предметів, завжди надягайте захисний шолом. Використовуйте сертифіковані засоби захисту органів слуху й очей.



Максимальна частота обертання вихідного вала.



З-під виробу можуть вилітати предмети, що може призвести до травм.



Під час роботи з виробом відстань між вами й сторонніми особами чи тваринами має становити щонайменше 15 м.



Ризик віддачі ножа у випадку, якщо різальне обладнання натрапить на предмет, який не зможе миттєво зрізати. Виріб може відтяти будь-яку частину тіла. Під час роботи з виробом відстань між вами й сторонніми особами чи тваринами має становити щонайменше 15 м.



Стрілки показують межі розміщення рукояток.



Повітряна заслінка.



Кнопка продувки повітря.



Використовуйте відповідні захисні рукавиці.



Використовуйте міцні чоботи, що не ковзають.



Рівень випромінювання шуму в навколишнє середовище відповідає Директиві ЄС. Рівень випромінювання виробу вказаний в *Технічні характеристики на сторінці 181* і на етикетці.

yyyywwxxxx

На таблиці з паспортними даними вказано серійний номер. **yyyy** вказує на рік виготовлення, а **ww** – на тиждень виробництва.

Зверніть увагу: Інші позначення на виробі відповідають вимогам спеціальних сертифікатів для інших торгових зон.

Пошкодження виробу

Ми не несемо відповідальності за пошкодження, якщо:

- виріб було неправильно відремонтовано;
- виріб було відремонтовано із використанням деталей, виготовлених не виробником або не затверджених ним;

- виріб обладнано аксесуаром, виготовленим не виробником або не затвердженим ним;
- виріб було відремонтовано в неавторизованому сервісному центрі або неавторизованою компанією;

Безпека

Визначення щодо безпеки

Визначення, наведені нижче, пояснюють рівень серйозності кожного сигнального слова.



ПОПЕРЕДЖЕННЯ: Небезпека травми для людини.



УВАГА: Небезпека пошкодження виробу.

Зверніть увагу: Ця інформація спрощує використання виробу.

Загальні правила техніки безпеки



ПОПЕРЕДЖЕННЯ: Перш ніж розпочати використання виробу, уважно прочитайте наведені нижче попередження.

- Використовуйте виріб правильно. Неправильне використання може призвести до травм або смерті. Використовуйте виріб лише для завдань, перелічених у цьому посібнику. Забороняється використовувати продукт для інших завдань.
- Дотримуйтеся інструкцій, наведених у цьому посібнику. Дотримуйтеся інструкцій, зазначених на попереджувальних знаках та в правилах техніки безпеки. Недотримання оператором інструкцій, зазначених на попереджувальних знаках та в правилах техніки безпеки, може призвести до травм, пошкоджень або смерті.
- Не викидайте цей посібник. Користуйтеся інструкціями для монтажу, експлуатації та підтримки виробу в задовільному стані. Користуйтеся інструкціями для правильного встановлення насадок та приладдя. Використовуйте лише сертифіковані насадки та приладдя.
- Не користуйтеся пошкодженим виробом. Дотримуйтеся графіка технічного обслуговування. Виконуйте лише те обслуговування, для якого наведені інструкції в цьому посібнику. Все інше обслуговування повинне виконуватися в авторизованому сервісному центрі.
- Цей посібник не включає всі ситуації, що можуть статися під час використання виробу. Будьте обережні та дотримуйтеся здорового глузду. Не експлуатуйте виріб і не виконуйте технічне обслуговування, якщо ви не можете розібратися в поточній ситуації. Більш детальну інформацію можна дізнатися в експерта з продукції, вашого дилера, центрі обслуговування або в авторизованому сервісному центрі.
- Перед монтажем, зберіганням або технічним обслуговуванням необхідно виймати свічку запалювання.
- Не використовуйте виріб у разі зміни його початкових технічних характеристик. Не замінюйте деталі виробу без дозволу виробника. Використовуйте лише деталі, схвалені виробником. Неправильне технічне обслуговування може призвести до травм або смерті.
- Не вдихайте вихлопні гази, що виходять з двигуна. Тривале вдихання вихлопних газів двигуна може бути небезпечним для здоров'я.
- Не вмикайте виріб у приміщенні чи біля легкозаймистих матеріалів. Вихлопні гази мають високу температуру та можуть містити іскри, від яких можливе загоряння. Недостатнє провітрювання може призвести до травм або смерті внаслідок задухи чи отруєння монооксидом вуглецю.
- Під час використання виробу двигун створює електромагнітне поле. Електромагнітне поле може пошкодити медичні імплантати. Перш ніж працювати з цим приладом, проконсультуйтеся з лікарем і виробником медичного імплантату.
- Не давайте використовувати прилад дітям. Не давайте використовувати прилад особам, що не ознайомилися з інструкціями.
- Завжди спостерігайте за особами з обмеженими фізичними чи розумовими можливостями, що використовують виріб. Біля виробу, що працює, повинна завжди знаходитися відповідальна доросла особа.
- Зачиняйте виріб у місці, куди не зможуть отримати доступ діти та особи, що не мають належної підготовки для використання виробу.

- З під виробу можуть викидатися предмети, що може призвести до травм. Для зменшення ризику травм або смерті дотримуйтеся правил техніки безпеки.
- Не відходьте далеко від працюючого виробу.
- Відповідальність за нещасний випадок несе оператор.
- Перед використанням виробу переконайтеся, що його деталі не мають пошкоджень.
- Перед використанням виробу переконайтеся в тому, що ви перебуваєте на відстані щонайменше 15 м (50 футів) від інших осіб або тварин. Переконайтеся в тому, що особи на прилеглий території знають, що ви збираєтесь використовувати виріб.
- Дотримуйтеся державного та місцевого законодавства. Норми законодавства можуть забороняти або обмежувати використання виробу в деяких умовах.
- Заборонено використовувати виріб, якщо ви втомлені чи перебуваєте під впливом наркотиків, алкоголю або медикаментів. Ці речовини можуть вплинути на зір, реакцію, координацію рухів або спроможність робити зважені рішення.

Правила техніки безпеки під час монтажу



ПОПЕРЕДЖЕННЯ: Перш ніж розпочати використання виробу, уважно прочитайте наведені нижче попередження.

- Під час збирання виробу та монтажу різальної насадки використовуйте відповідні захисні рукавиці.
- Перед збиранням виробу необхідно зняти ковпак свічки запалювання зі свічки запалювання.
- Перед тим як користуватися виробом, переконайтеся, що на ньому встановлені відповідна рукоятка й різальна насадка.
- Використання пошкодженого або невідповідного кожуха різальної насадки може призвести до травмування. Забороняється використовувати різальну насадку без схваленого захисного кожуха.
- Перш ніж запустити виріб, установіть відповідним чином кришку зчеплення й вал.
- Приводний диск і опорний фланець мають входити в зачеплення в центральному отворі різальної насадки відповідним чином. Неправильне встановлення різальної насадки може призвести до травм чи смерті.
- Закріпіть на виробі пасову підвіску, щоб уникнути травмування оператора чи інших осіб.

Правила техніки безпеки під час використання виробу

- Перед використанням переконайтеся, що виріб повністю змонтований.
- Перед запуском пересуньте виріб на 3 м від місця, де ви заправляли його паливом. Розташуйте виріб на рівній поверхні. При цьому ріжуча насадка не повинна торкатися землі або інших предметів.
- З-під виробу можуть викидатися предмети, що може призвести до пошкодження очей. Під час експлуатації виробу завжди користуйтеся відповідними засобами захисту очей.
- Будьте обережні, адже під час експлуатації виробу до вас може без дозволу підійти дитина.
- Не використовуйте виріб, якщо на робочій ділянці знаходяться люди. Зупиніть виріб у разі, якщо на робочу ділянку зайшла особа.
- Завжди контролюйте місце знаходження виробу.
- Не використовуйте виріб, якщо немає змоги отримати допомогу в разі нещасного випадку. Перед початком експлуатації виробу переконайтеся, що інші особи знають, що ви будете працювати з виробом.
- Не обертайтеся разом з виробом, доки не переконаєтесь, що люди або тварини знаходяться в безпечній зоні.
- Перед початком роботи приберіть всі непотрібні предмети з робочої ділянки. Якщо ріжуча насадка натрапить на якийсь предмет, він може відлетіти та призвести до травм або пошкоджень. Непотрібні предмети можуть намотатися на ріжучу насадку та призвести до пошкоджень.
- Не користуйтеся виробом у погану погоду (туман, дощ, сильний вітер, якщо є ризик виникнення блискавки або за інших несприятливих погодних умов). Через погану погоду можуть утворюватися небезпечні умови (наприклад, слизькі поверхні).
- Переконайтеся, що ви можете вільно переміщуватися та працювати, зберігаючи стабільне положення.



- Переконайтеся, що під час використання виробу ви не впадете. Не нахиляйтеся під час експлуатації виробу.
- Завжди утримуйте виріб обома руками. Тримайте виріб праворуч.



- Використовуйте виріб лише тоді, коли ріжуча насадка знаходиться нижче рівня вашої талії.
- Якщо в момент запуску двигуна керування заслінкою знаходиться в положенні заслінки, ріжуча насадка почне обертатися.
- Не торкайтеся конічної зубчастої передачі після зупинки двигуна. Після зупинки двигуна конічна зубчаста передача має високу температуру. Контакт із гарячими поверхнями може призвести до травм.
- Перед переміщенням виробу зупиняйте двигун.
- Не кладіть працюючий виріб на землю.
- Перед тим як прибрати неплотрібні предмети з виробу, зупиніть двигун та дочекайтеся зупинки ріжучої насадки. Дочекайтеся зупинки різальної насадки перед тим як ви або ваш помічник почне прибирати зрізаний матеріал.

Засоби індивідуального захисту



ПОПЕРЕДЖЕННЯ: Перш ніж розпочати використання виробу, уважно прочитайте наведені нижче попередження.

- Під час експлуатації виробу завжди використовуйте відповідні засоби індивідуального захисту. Засоби індивідуального захисту не усувають повністю ризик отримання травм. Засоби індивідуального захисту знижують рівень пошкоджень у разі нещасного випадку.
- Під час експлуатації виробу завжди користуйтеся відповідними засобами захисту очей.
- Не використовуйте виріб, не надягнувши взуття або перебуваючи у відкритому взутті. Завжди використовуйте надміцні чоботи із захистом від ковзання.
- Використовуйте цупкі довгі штани.
- За необхідності використовуйте сертифіковані захисні рукавиці.
- У разі наявності ризику падіння предметів на голову, використовуйте шолом.
- Під час експлуатації виробу завжди користуйтеся відповідними засобами захисту органів слуху. Довготривалий вплив шуму може призвести до втрати слуху.
- Переконайтеся, що поряд є набір засобів для надання першої медичної допомоги.

Захисні засоби на пристрої

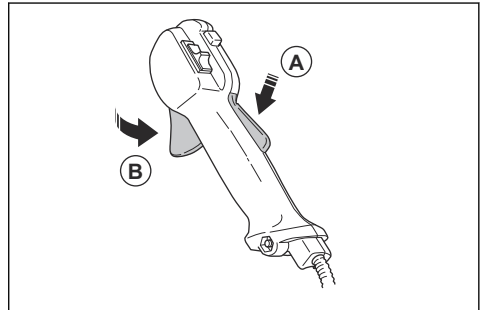
- Переконайтеся, що технічне обслуговування виробу проводиться регулярно.
 - Строк служби виробу збільшується.
 - Небезпека виникнення нещасних випадків зменшується.

Регулярний огляд, регулювання або ремонт виробу повинен проводитися авторизованим дилером або сервісним центром.

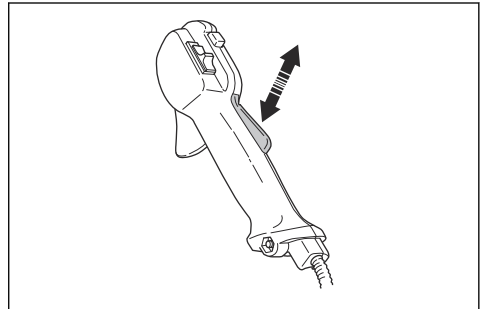
- Не використовуйте виріб з пошкодженням захисним спорядженням. У разі пошкодження виробу, зверніться до авторизованого сервісного центру.

Перевірка блокування курка газу

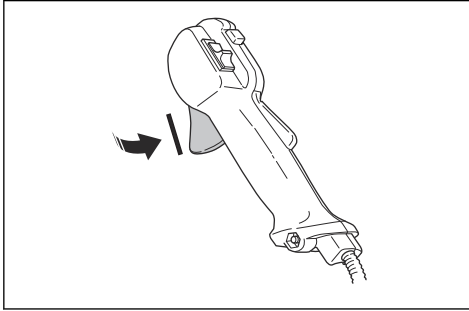
1. Перевірте, чи вільно рухається елемент блокування курка газу (A) і сам курок газу (B), та чи правильно працює зворотна пружина.



2. Натисніть елемент блокування курка газу й переконайтеся, що він повертається до початкового положення, коли ви відпускаєте його.



3. Перевірте, чи блокується курок газу на холостому ході, коли відпускається його блокування.



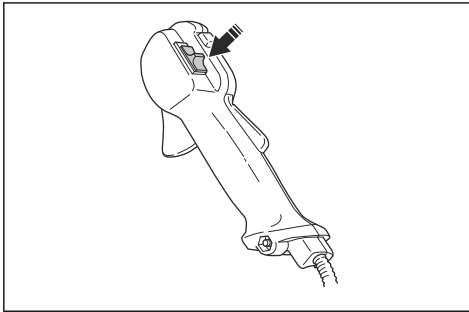
4. Увімкніть виріб і повністю натисніть курок газу.
5. Відпустіть курок газу та переконайтеся, що різальна насадка зупинилася й не рухається.



ПОПЕРЕДЖЕННЯ: Якщо різальна насадка рухається, коли курок газу перебуває в положенні холостого ходу, потрібно відрегулювати частоту холостого ходу карбюратора. Див. *Налаштування частоти холостого ходу на сторінці 177.*

Перевірка вимикача

1. Запустіть двигун.
2. Пересуньте вимикач у положення «зупинити» й переконайтеся, що двигун зупинився.

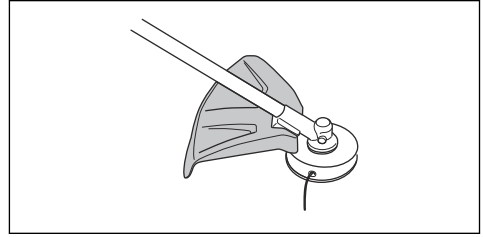


Перевірка захисного кожуха ріжучої насадки

Захисний кожух ріжучої насадки захищає від викидання предметів у напрямку оператора. Також він дозволяє уникнути травм у результаті торкання ріжучої насадки.

1. Зупиніть двигун.

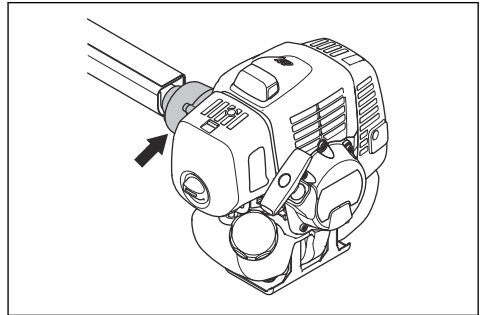
2. Проведіть візуальну перевірку на предмет пошкоджень на кшталт тріщин.



3. Якщо захисний кожух ріжучої насадки пошкоджений, замініть його.

Перевірка системи поглинання вібрації

Система поглинання вібрації зменшує вібрацію в області рукояток до мінімуму, що полегшує експлуатацію виробу.



1. Зупиніть двигун.
2. Проведіть огляд і переконайтеся у відсутності деформацій та пошкоджень на кшталт тріщин.
3. Переконайтеся в правильності кріплення елементів системи поглинання вібрації.

Перевірка механізму швидкого розмикання

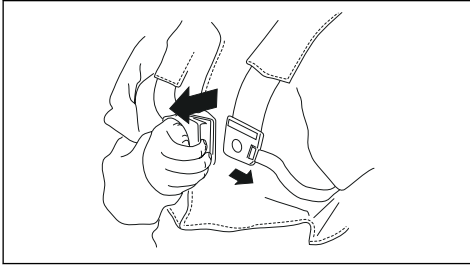


ПОПЕРЕДЖЕННЯ: Не використовуйте пасову підвіску з несправним механізмом швидкого розмикання.

Механізм швидкого розмикання дає оператору змогу швидко зняти виріб із пасової підвіски в разі виникнення надзвичайної ситуації.

1. Зупиніть двигун.
2. Проведіть візуальну перевірку на наявність пошкоджень, наприклад тріщин.

3. Зніміть і знову приєднайте механізм швидкого розмикання, щоб переконатися в його справності.



Перевірка глушника

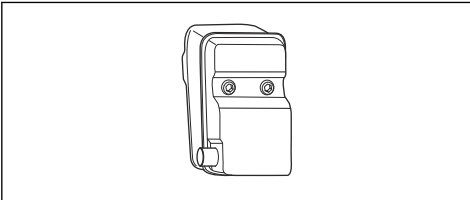


ПОПЕРЕДЖЕННЯ: Ніколи не користуйтеся виробом із несправним глушником.

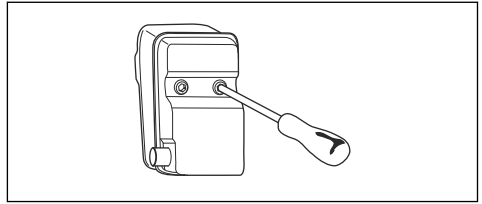


ПОПЕРЕДЖЕННЯ: Пам'ятайте, що вихлопні дими мають високу температуру й можуть супроводжуватися іскрами, що можуть призвести до пожежі. У жодному разі не запускайте виріб у приміщенні чи біля легкозаймистих матеріалів!

Глушник зменшує рівень шуму й відводить вихлопні дими подалі від оператора. У користуванні глушником дуже важливо дотримуватися вказівок щодо перевірки, догляду та обслуговування виробу.



Регулярно перевіряйте, чи надійно глушник прикріплений до виробу.



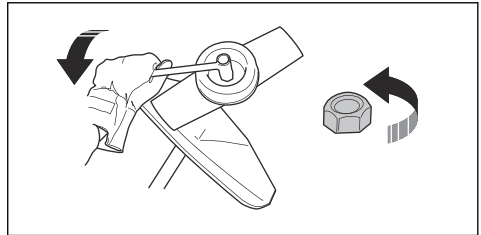
Встановлення й знімання стопорної гайки



ПОПЕРЕДЖЕННЯ: Зупиніть двигун, використовуйте захисні рукавиці й будьте обережні з гострими кромками різальної насадки.

Деякі різальні насадки фіксуються за допомогою стопорних гайок. Стопорна гайка має лівобічну нарізку.

- Для встановлення затягуйте стопорну гайку в бік, протилежний напрямку обертання різальної насадки.
- Щоб зняти стопорну гайку, відкручуйте її в бік обертання різальної насадки.
- Для послаблення чи затягування стопорної гайки користуйтеся торцевим гайковим воротком із довгою рукояткою. Стрілкою на рисунку позначено напрямок, в якому потрібно рухати гайковий вороток.



ПОПЕРЕДЖЕННЯ: Під час послаблення або затягування стопорної гайки існує ризик травмування об ніж. Перед виконанням цієї операції слід переконатися, що кожух ножа захищає руки від травмування.

Зверніть увагу: Переконайтеся, що обертати стопорну гайку вручну неможливо. Замініть гайку, якщо нейлонова прокладка не забезпечує зусилля, що дорівнює принаймні 1,5 Н·м. Стопорну гайку слід замінити, якщо її було використано близько 10 разів.

Різальне обладнання

Обирайте й обслуговуйте різальне обладнання, щоб:

- отримати максимальну продуктивність різання;

- збільшити термін служби різального обладнання;
- виконувати вказівки щодо перевірки, догляду й обслуговування глушника;
- дотримуватися рекомендацій щодо кожухів для різального обладнання. Див. технічні дані.



ПОПЕРЕДЖЕННЯ: Користуйтеся ріжучими насадками лише з рекомендованими кожухами! Дивіться розділ «Технічні дані». Користуйтеся вказівками для ріжучих насадок для того, щоб перевірити правильність встановлення нитки й відповідність її діаметру.



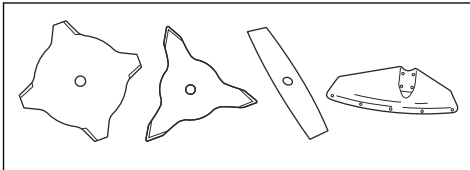
ПОПЕРЕДЖЕННЯ: <ps "Body" 13>УВАГА! дефектна ріжуча насадка може збільшувати ризик аварій.



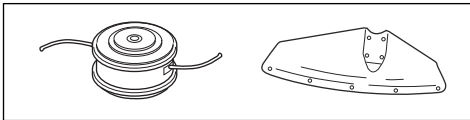
ПОПЕРЕДЖЕННЯ: Завжди зупиняйте двигун перед будь-якою роботою з ріжучою насадкою. Насадка продовжує обертатися, навіть коли важіль звільнено. Переконайтеся, що ріжуча насадка повністю зупинилося, і від'єднайте ковпак свічки запалювання, перш ніж починати роботу з насадкою.

Різальне обладнання

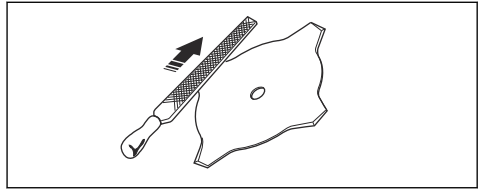
- Для скошування густої трави використовуйте леза й ножі для трави.



- Для зрізання трави користуйтеся головкою тримера.



- Зубці ножа повинні бути правильно нагострені! дотримуйтеся наших вказівок та використовуйте напильник рекомендованого розміру. Зубці ножа повинні бути правильно загострені. Дотримуйтеся вказівок, наведених у розділі *Технічне обслуговування на сторінці 175*, і використовуйте напилек рекомендованого розміру.

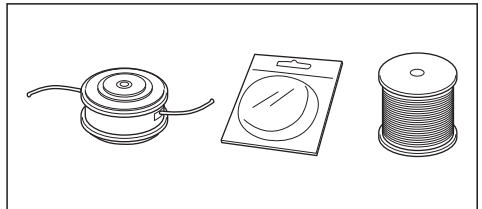


- Перевірка ріжучої насадки на наявність пошкоджень і тріщин. Пошкоджені ріжучі насадки необхідно замінювати.
- Користуйтеся різальними насадками лише з рекомендованими кожухами. Див. *Додаткове приладдя на сторінці 183*.

Головка тримера



ПОПЕРЕДЖЕННЯ: Обов'язково переконайтеся в тому, що нитка тримера надійно й рівномірно намотана на барабан, інакше під час роботи може виникати шкідлива вібрація.



- Користуйтеся лише рекомендованими різальними насадками.
- Довжина нитки тримера має значення. Якщо використовується довша нитка, потужність двигуна повинна бути більшою, ніж коли використовується коротша нитка того ж діаметру.
- Забороняється переміщувати поверхню встановлення кожуха тримера.
- Переконайтеся в тому, що різець на кожусі тримера не пошкоджено. Різець обрізує нитку до потрібної довжини.
- Щоб збільшити термін служби нитки тримера, її можна вимочувати протягом двох днів.

Ножі та різці для трави

- Використовуйте лише відповідні ножі для трави. Не використовуйте ніж для трави, доки не буде належним чином встановлено всі необхідні деталі. Упевніться, що використовуються відповідні частини, а також що їх встановлено належним чином. Неправильне встановлення може призвести до від'єднання й відкидання леза та травмування оператора й інших осіб.
- Під час роботи з лезом або його обслуговування носіть захисні рукавиці.

- Під час роботи з виробом, оснащеним ножем для трави, користуйтеся відповідними засобами захисту голови.
- Ножі та різці для трави призначені для косіння густої трави.
- Ніж для трави може нанести тяжкі травми, коли продовжує обертатися після вимикання двигуна або відпускання курка газу. Перш ніж проводити технічне обслуговування, упевніться, що ніж для трави повністю зупинився.
- Зупиняйте двигун перед будь-якими операціями з різальною насадкою. Упевніться, що різальна насадка повністю зупинилась. Від'єднайте кабель від свічки запалювання.
- Використовуйте лише схвалену різальну насадку або правильно загострений ніж.
- Зубці ножа повинні бути правильно загострені.
- Не використовуйте пошкоджену різальну насадку.
- Перед транспортуванням або зберіганням виробу надягайте на ніж для трави чохол для транспортування.
- Будьте обережні при поводженні з палимим. Пальне є легкозаймистою речовиною, а його пари вибухонебезпечні та можуть призвести до травм або смерті.
- Не вдихайте вихлопні гази, це може призвести до травм. Забезпечте належне провітрювання.
- Не паліть біля пального або двигуна.
- Не кладіть біля пального або двигуна теплі предмети.
- Не доливайте пальне в працюючий виріб.
- Перед заправленням переконайтеся, що двигун охолонув.
- Перед заправленням повільно відкрийте кришку паливного бака, обережно зменшивши тиск.
- Не заправляйте виріб у приміщенні. Недостатнє провітрювання може призвести до травм або смерті внаслідок задухи чи отруєння монооксидом вуглецю.
- Обережно затягуйте кришку паливного бака, адже існує ризик виникнення пожежі.
- Перед запуском пересуньте виріб на 3 м від місця, де ви заправляли його.
- Не заливайте в паливний бак занадто багато палива.
- Переконайтеся у відсутності ризику протікань під час переміщення виробу або ємності для пального.
- Не залишайте виріб або ємність для пального біля відкритого вогню, джерела іскор або запальника. Переконайтеся, що в зоні зберігання відсутні джерела відкритого вогню.
- Під час переміщення або зберігання палива користуйтеся лише сертифікованими ємностями.
- Спустошуйте паливний бак перед тривалим зберіганням. Дотримуйтеся місцевого законодавства щодо утилізації пального.
- Очищуйте виріб перед тривалим зберіганням.
- Щоб двигун випадково не запустився, перед зберіганням необхідно зняти кабель свічки запалювання.

Віддача ножа

- Віддача ножа – це несподіваний рух виробу вбік, вперед чи назад. Віддача виникає, коли ніж для трави натрапляє на предмет, який неможливо зрізати. Ризик віддачі зростає під час роботи на ділянках, де погано видно, що саме скошується.
- Віддача ножа може відштовхнути виріб чи оператора. Лезо, що обертається, може нанести травми сторонній особі.
- Якщо лезо зігнулося, тріснуло, зламалося чи ушкоджене будь-яким іншим чином, припиніть його використання.
- Використовуйте гостре лезо. Якщо лезо затупилося, ризик віддачі зростає.

Заходи безпеки при заправці палива

- Не запускайте виріб, якщо на ньому залишилося пальне або моторна олива. Приберіть непотрібне пальне/оливу та дайте виробу просохнути. Приберіть непотрібне пальне з виробу.
- Якщо ви пролили пальне на свій одяг, негайно переодягніться.
- Не допускайте потрапляння пального на тіло, адже це може призвести до травм. Для видалення пального, що потрапило на тіло, використовуйте мило та воду.
- Не запускайте двигун у разі потрапляння оливи або пального на виріб або тіло.
- Не запускайте виріб у разі наявності протікання у двигуні. Регулярно перевіряйте двигун на протікання.

Правила техніки безпеки під час обслуговування

- Якщо не вдається відрегулювати швидкість холостого ходу таким чином, щоб ріжуча насадка зупинилась, зверніться до сервісного центру. Не користуйтеся виробом, поки його добре не відрегулюють або полагодають.

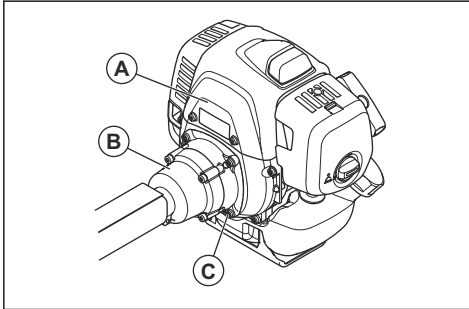
Збирання



ПОПЕРЕДЖЕННЯ: Перед збиранням виробу прочитайте розділ про правила техніки безпеки.

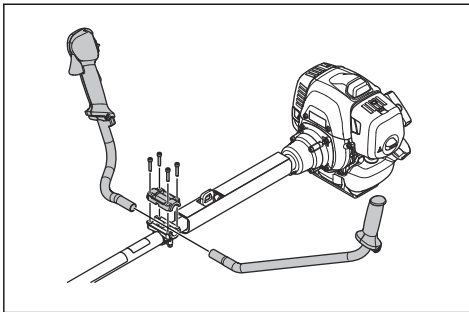
Процедура встановлення корпусу виробу

- Під'єднайте двигун (А) до трубки (В) чотирма гвинтами (С).

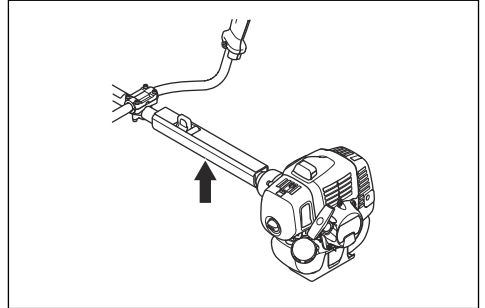


Процедура встановлення рукоятки (531RS, 541RS)

1. Установіть рукоятку в затискач рукоятки на штанзі.

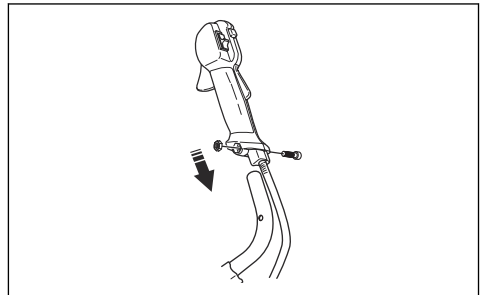


2. Установіть захисний кожух.

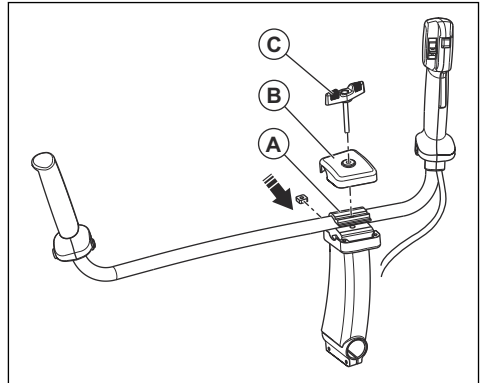


Процедура встановлення рукоятки (541RST)

1. Вийміть гвинт, що знаходиться поза ручкою газу.



2. Установіть ручку газу на праву рукоятку.
3. Зіставте гвинтовий отвір на ручці газу з отвором на рукоятці.
4. Просуньте гвинт крізь отвори. Затягніть гвинт.
5. Встановіть рукоятку в зборі та квадратну гайку в кріпильну скобу. Переконайтеся, що рукоятка перебуває в належному положенні.



- Установіть затискач рукоятки (А), кришку (В) та фіксувальну головку (С).
- Вирівняйте отвори для гвинта фіксувальної головки.
- Затягніть фіксувальну головку, щоб надійно зафіксувати рукоятку.

Кріплення пасової підвіски

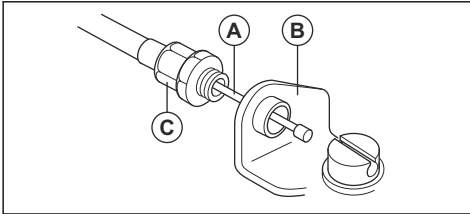
- Надягніть пасову підвіску й підвісьте виріб на точку підвіски.
- Налаштуйте рукоятку, щоб виріб перебував у зручному положенні для роботи.



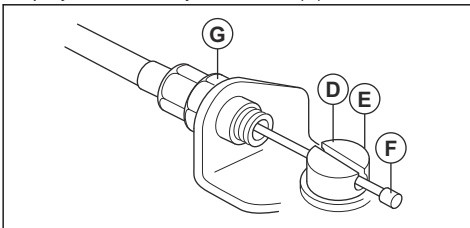
- Повністю затягніть гвинти.

Процедура під'єднання троса газу та дротів вимикача

- Зніміть кришку повітряного фільтра.
- Протягніть трос газу (А) через кронштейн карбюратора (В).

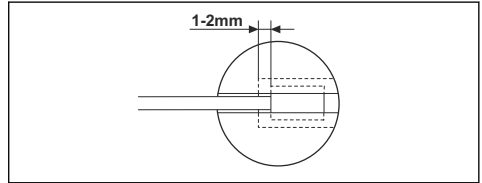


- Повністю вставте регульовальну втулку кабелю (С) у кронштейн карбюратора.
- Установіть фітинг із пазом (D) на карбюратор. У цей час заглиблений отвір (Е) кабельного наконечника (F) перебуватиме поза межами регульовальної втулки кабелю (С).

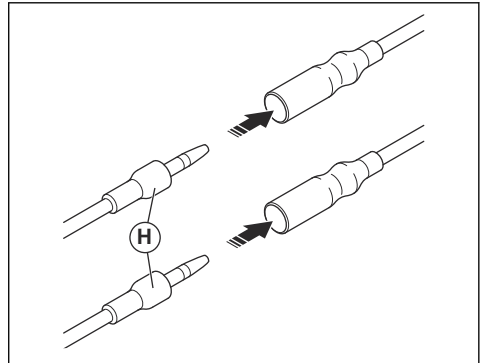


- Поверніть кулачок дроселя та просуньте трос газу (А) крізь паз у фітинг.
- Переконайтеся, що кабельний наконечник (F) потрапив у заглиблений отвір.
- Кілька разів потягніть курок газу, щоб переконаватися, що він працює належним чином.
- Налаштуйте регульовальну втулку кабелю (С).

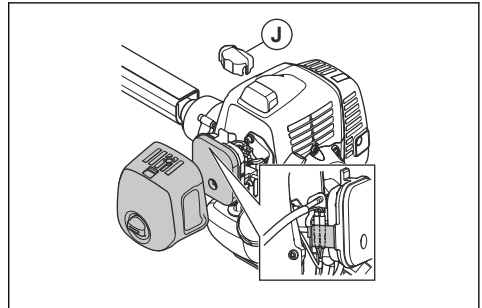
- Переконайтеся, що обмежувач на кулачку дроселя карбюратора торкається обмежувача дросельної заслінки належним чином.
- Коли курок газу не натиснуто, кабельний наконечник (F) має бути віддалений від фітінга з пазом на 1–2 мм.



- Коли трос (А) газу буде відрегульовано, затягніть стопорну гайку (G).
- Підключіть дроти вимикача (H) до контактів на двигуні.



- Установіть чохол від пилу (J).



- Установіть кришку повітряного фільтра.

Установлення ножів і головок тримера



ПОПЕРЕДЖЕННЯ:

Використовуйте лише сертифіковані кожухи для ножів. Див. *Додаткове приладдя на сторінці 183*. Використання пошкодженого кожуха може призвести до травмування.

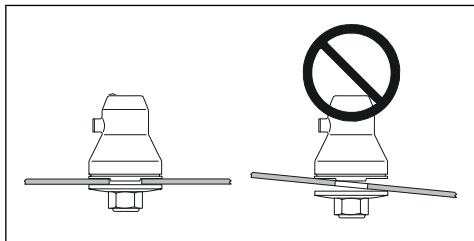


ПОПЕРЕДЖЕННЯ: Якщо ви використовуєте виріб зі встановленим ножем для трави, спочатку слід установити відповідну рукоятку, кожух ножа та пасову підвіску.



ПОПЕРЕДЖЕННЯ: Якщо встановити ножі неправильно, це може призвести до травмування.

1. Упевніться, що піднята частина приводного диску/опорного фланця належним чином зчіплюється із центральним отвором ножів.
2. Установіть ножі.

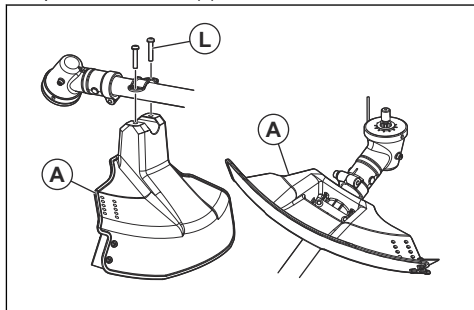


Установлення кожуха ножа та ножа для трави

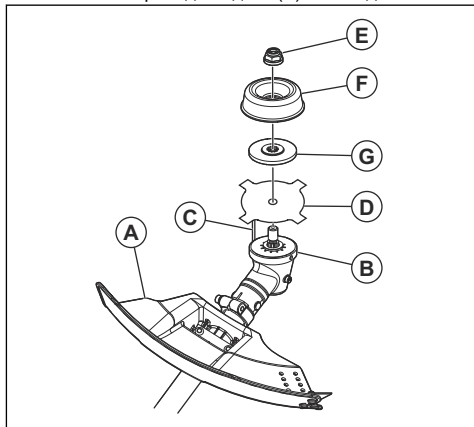


УВАГА: Використовуйте лише сертифіковані кожухи для ножів. Дивіться розділ *Додаткове приладдя на сторінці 183*.

1. Приєднайте кожух ножа / захисний кожух різальної насадки (A) до вала й затягніть кріплення болтом (L).



2. Установіть приводний диск (B) на вихідний вал.



3. Обертайте вихідний вал, доки один з отворів приводного диска не опиниться навпроти відповідного отвору в корпусі редуктора.
4. Вставте стопорний штифт або шестигранный ключ (C) в отвір, щоб зафіксувати вал.
5. Установіть ніж (D), опорний фланець (G) й опорну манжету (F) на вихідний вал.
6. Установіть гайку (E). Тримайте гайковий ключ біля кожуха ножа. Затягуйте гайку в напрямку, протилежному напрямку обертання. Закрутіть гайку з моментом 35–50 Н·м (3,5–5 кг·м).

Зверніть увагу: Лівобічна нарізка.

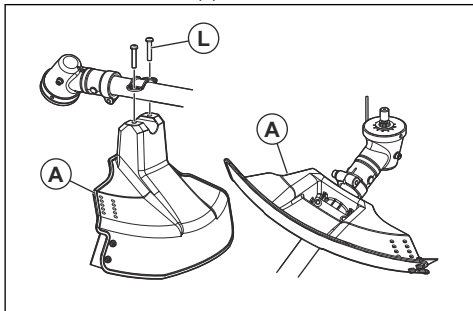
Установлення кожуха тримера й головки тримера



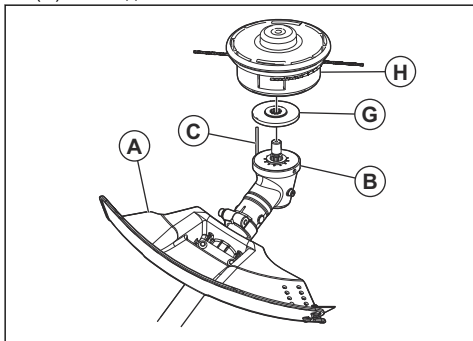
ПОПЕРЕДЖЕННЯ:

Використовуйте правильний кожух і головку тримера.

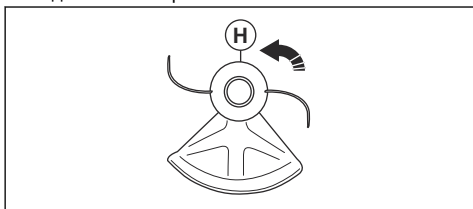
1. Під'єднайте кожух тримера (А) до вала за допомогою болтів (L).



2. Установіть приводний диск (В) і опорний фланець (G) на вихідний вал.



3. Обертайте вихідний вал, доки отвір приводного диска не опиниться напроти отвору в корпусі редуктора.
4. Вставте стопорний штифт або шестигранный ключ (С) в отвір, щоб зафіксувати вал.
5. Поверніть головку тримера (Н) проти годинникової стрілки.

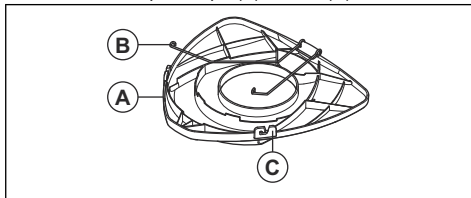


6. Для розбирання виконайте процедуру зворотному порядку.

Установлення чохла для транспортування

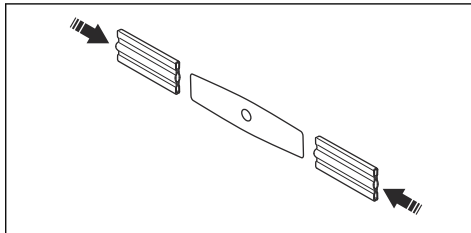
1. Вставте лезо в чохол для транспортування (А).

2. Щоб установити чохол для транспортування, вставте два фіксатори (В) в пази (С).



Процедура встановлення леза з двома зубцями в чохол

1. Вставте лезо в чохол для транспортування.



Регулювання пасової підвіски



ПОПЕРЕДЖЕННЯ: Виріб має бути правильно приєднаним до пасової підвіски. Не користуйтеся пошкодженою пасовою підвіскою.

1. Надягніть пасову підвіску.
2. Приєднайте виріб до пасової підвіски.
3. Відрегулюйте пасову підвіску для якомога зручнішої роботи.
4. Відрегулюйте бокові ремені, щоб вага виробу рівномірно розподілялася по плечах.



5. Відрегулюйте пасову підвіску таким чином, щоб різальна насадка була розташована паралельно землі.
6. Різальна насадка має ледь торкатися землі. Відрегулюйте кріплення ременя таким чином, щоб виріб був правильно врівноважений.

Зверніть увагу: У разі використання ножа для трави він має бути врівноважений на рівні близько 10 см (4 дюйми) над землею.

Експлуатація



ПОПЕРЕДЖЕННЯ: Перед використанням виробу уважно прочитайте розділ про правила техніки безпеки.

Паливо

Використання палива



УВАГА: Цей виріб оснащений двотактним двигуном. Використовуйте суміш бензину та моторної оливи для двотактних двигунів. Для суміші використовуйте правильну кількість оливи. Невірне співвідношення бензину та оливи може призвести до пошкодження двигуна.

Бензин



УВАГА: Не використовуйте бензин із октановим числом нижче 90 RON (87 AKI). Це може призвести до пошкодження виробу.



УВАГА: Не використовуйте бензин із концентрацією етанолу більше 10% (E10). Це може призвести до пошкодження виробу.



УВАГА: Не використовуйте етилований бензин. Це може призвести до пошкодження виробу.

- Завжди використовуйте новий неетилований бензин з мінімальним октановим числом 90 RON (87 AKI) та концентрацією етанолу менше 10% (E10).
- У разі частого використання виробу з високою частотою обертання двигуна, необхідно використовувати бензин з вищим октановим числом.
- Використовуйте лише високоякісну суміш неетилованого бензину й оливи.

Моторна олива для двотактних двигунів

- Використовуйте лише високоякісну моторну оливу для двотактних двигунів, зокрема моторну

оливу HUSQVARNA. Використовуйте лише моторну оливу для повітряного охолодження.

- Співвідношення компонентів 50:1 (2 %).
- Олива низької якості та надто велика частка олії в суміші може зменшити термін служби каталітичних допалювачів.
- Зверніться до свого дилера, щоб вибрати оливу.
- Якщо оливи для двотактних двигунів Husqvarna немає, ви можете використовувати іншу оливу високої якості, призначену для двотактних двигунів із повітряним охолодженням. Під час вибору оливи проконсультуйтеся зі своїм дилером.
- Не використовуйте оливу для зовнішніх двотактних двигунів із водяним охолодженням. Оливу для двотактних двигунів інколи називають оливою для підвісних двигунів.

Бензин, л	Олива, л
	2 % (50:1)
5	0,1
10	0,2
15	0,3
20	0,4

Створення паливної суміші

Зверніть увагу: Для змішування суміші завжди використовуйте чисту паливну ємність.

Зверніть увагу: Не змішуйте об'єм суміші, яку не зможе використати протягом 30 днів.

- Додайте половину кількості бензину.
- Додайте всю оливу.
- Збовтайте паливну суміш для змішування компонентів.
- Додайте решту бензину.
- Збовтайте паливну суміш для змішування компонентів.
- Наповніть паливний бак.

Додавання палива



ПОПЕРЕДЖЕННЯ: Не курить і не ставте гарячі предмети поблизу палива. Перед заливанням палива зупиніть двигун і дайте йому охолонути протягом кількох хвилин.



ПОПЕРЕДЖЕННЯ: Під час додавання палива кришку бака необхідно відкривати повільно, щоб скинути зайвий тиск.



ПОПЕРЕДЖЕННЯ: Після додавання палива обережно закрийте кришку бака. Перед запуском двигуна приберіть пристрій із місця заправлення та подальше від джерел живлення.

- Використовуйте паливну ємність з антипропускним клапаном.
- Переконайтеся, що область навколо кришки паливного бака чиста. Забруднення в баку може спричинити проблеми у роботі.
- Перед додаванням паливної суміші в паливний бак збовтайте ємність з паливом.

Запуск і зупинення роботи

Перевірка перед запуском

1. Перевірте виріб на предмет відсутніх, пошкоджених, розхитаних або зношених деталей.
2. Перевірте гайки, гвинти та болти.
3. Перевірте леза.
4. Перевірте стопорну гайку. Упевніться, що стопорна гайка має мінімальну силу затискання 1,5 Н•м (1,1 фута/фунт). Затягніть стопорну гайку, застосовуючи момент 35–50 Н•м (26–36 футів/фунт).
5. Перевірте повітряний фільтр.
6. Перевірте елемент блокування курка газу та керування газом.
7. Перевірте вимикач.
8. Перевірте виріб на наявність витоків палива.

Запуск холодного двигуна



ПОПЕРЕДЖЕННЯ: Перед запуском виробу встановіть кришку зчеплення та вал. Послаблене зчеплення може призвести до травмування. Надягайте рукавиці.

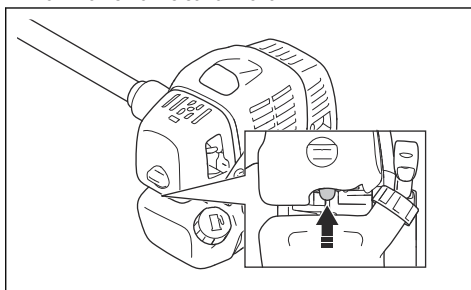


ПОПЕРЕДЖЕННЯ: Перенесіть виріб подальше від місця заправлення та джерела палива. Розташуйте його на рівній поверхні. Переконайтеся, що біля різальної насадки немає предметів, які її торкаються.

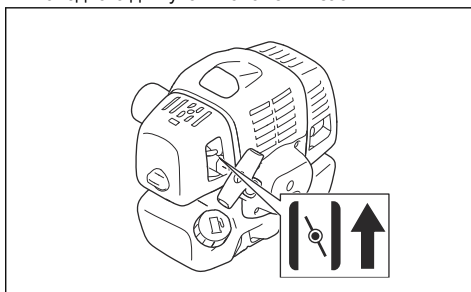


ПОПЕРЕДЖЕННЯ: Плевніться, що в робочій зоні немає сторонніх осіб. Присутність сторонніх осіб може становити ризик отримання небезпечних травм. Безпечна відстань становить щонайменше 15 метрів.

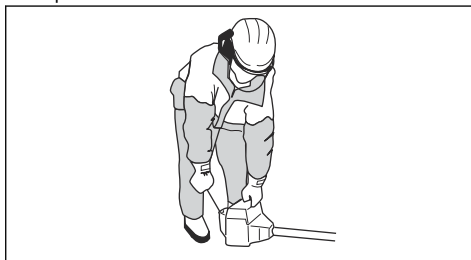
1. Переведіть вимикач у положення запуску.
2. Натискайте кнопку продувки повітрям, доки паливо не почне заповнювати її.



3. Переведіть елемент керування системою запуску холодного двигуна в положення заслінки.



4. Опустіть виріб до землі. Повільно потягніть трос стартера правою рукою, доки не відчуєте спротив.



Зверніть увагу: Не намотуйте трос стартера на руку.



УВАГА: Не витягуйте трос стартера повністю. Коли трос витягнутий повністю, утримуйте ручку. Невиконання цих інструкцій може призвести до пошкодження двигуна.

- Різко із зусиллям смикніть трос стартера; має почутися звук запуску двигуна.
- Установіть важіль повітряної заслінки в робоче положення.

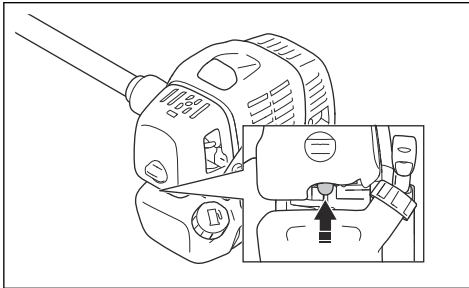


ПОПЕРЕДЖЕННЯ:

Заборонено торкатися кришки. Це може призвести до опіку шкіри або ураження електричним струмом, якщо ковпак свічки запалювання пошкоджено. Не використовуйте виріб із пошкодженням ковпаком свічки запалювання.

Запуск теплому двигуна

- Переведіть вимикач у положення запуску.
- Натискайте кнопку продувки повітрям, доки паливо не почне заповнювати її.

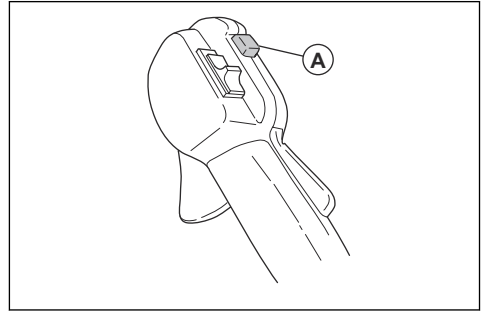


- Переведіть важіль заслінки в робоче положення й смикайте ручку троса стартера, доки двигун не запуснеться.

Запуск за допомогою ручки газу з фіксатором запуску двигуна

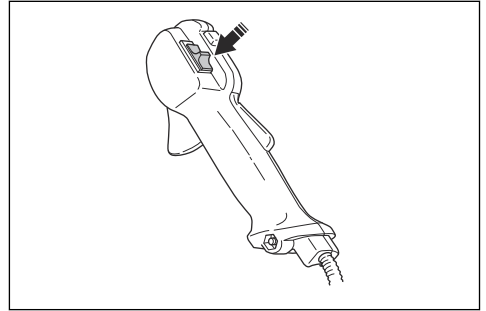
- Щоб перевести дросель у положення запуску, натисніть стопор курка газу та курок газу. Натисніть кнопку запуску дроселя (A).
- Відпустіть стопор курка газу й курок газу та кнопку запуску дроселя. Функція дроселя тепер активована.

- Для перемикання двигуна на швидкість холостого ходу натисніть стопор курка газу й курок газу.



Зупинення двигуна

- Переведіть курок газу в положення холостого ходу.
- Пересуньте вимикач у положення «зупинити».



Експлуатація тримера



УВАГА: Після кожного використання зменшіть швидкість двигуна до холостого ходу. Тривала робота на повних оборотах без навантаження на двигун може призвести до пошкодження двигуна.

Зверніть увагу: У разі встановлення нової нитки необхідно очистити кришку голівки тримера, щоб уникнути подальших вібрацій. Огляньте інші деталі голівки тримера та за необхідності очистіть їх.

Загальні робочі інструкції

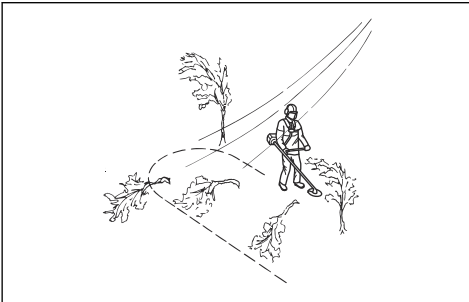


ПОПЕРЕДЖЕННЯ: Будьте обережні під час зрізання нахилених дерев. Воно може розпрямитися до або після зрізання та вдарити вас чи виріб, що може призвести до травм.

- Очистьте ділянку з однієї сторони робочої зони й почніть роботу звідти.
- Переміщення робочою зоною має здійснюватись за запланованим маршрутом.



- Переміщуйте виріб на максимально можливу відстань ліворуч і праворуч, щоб із кожним поворотом очищувати зону в 4–5 м.
- Перед розвертанням і поверненням прочистьте ділянку довжиною 75 м. У міру просування переміщайте із собою каністру з пальним.
- Рухайтесь у такому напрямку, щоб не зустрічати ями й перешкоди частіше, ніж це необхідно.
- Рухайтесь у такому напрямку, щоб вітер здував зрізану рослинність на вже очищену ділянку.

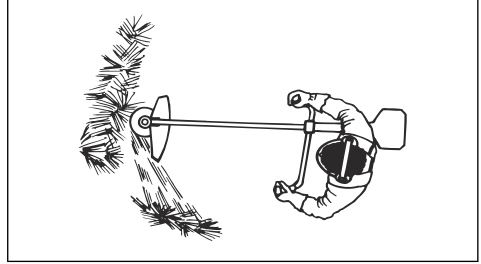


- Рухайтесь вздовж схилів, а не вгору – вниз.

Скошування за допомогою ножа для трави

1. Під час використання виробу не ставте стопи впритул одна до одної. Оператор має займати стабільне положення на землі.
2. Виріб слід обережно опустити на землю на опорну манжету. Це не дасть лезу торкнутися землі.

3. Для зрізання рухайте інструмент із боку в бік справа наліво. Траву слід зрізати лівим краєм леза (що на циферблаті годинника відповідає проміжку між 8 й 12 годинами).

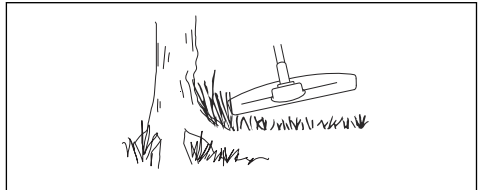


4. Під час зрізання трави нахиліть лезо вліво.

Зверніть увагу: Трава з легкістю складається в один ряд.

5. Під час зворотного руху переміщуйте інструмент зліва направо.
6. Виконуйте роботу в одному ритмі.
7. Рухайтесь вперед, займаючи стабільне положення на землі.
8. Зупиніть двигун.
9. Від'єднайте виріб від затискача на пасовій підвісці.
10. Покладіть виріб на землю.
11. Зберіть зрізану траву.

Очищення

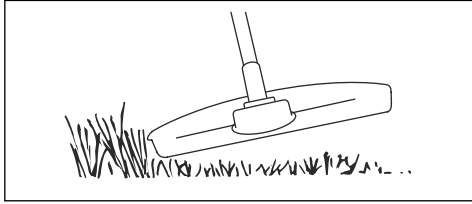


Для досягнення найкращих результатів, виконайте наведені нижче дії.

- Тримайте тример так, щоб головка тримера була якомога ближче до землі.
- Дещо нахиліть головку тримера.
- Кінець нитки тримера має торкатися землі навколо предметів.

Підстригання трави

1. Тримайте головку тримера під кутом безпосередньо над землею. Не вдавлийте нитку тримера в траву.

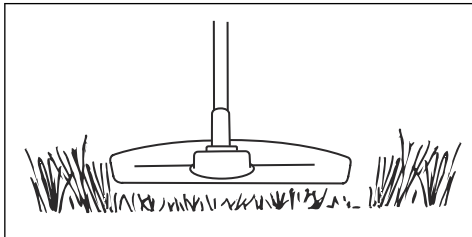


2. Зменште довжину нитки тримера на 10–12 см / 4–4,75 дюйма.
3. Зменште частоту обертання двигуна, щоб зменшити ризик пошкодження рослин.
4. Під час зрізання трави поблизу предметів використовуйте 80 % потужності.

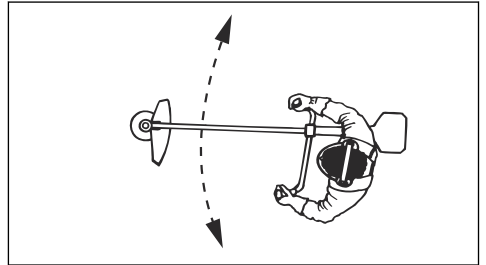


Зрізання трави

1. Під час зрізання нитка тримера має бути паралельна землі.



2. Не вдавлийте головку тримера в землю. Існує ризик пошкодження землі та виробу.
3. Не дозволяйте головці тримера постійно торкатися землі, адже це може призвести до її пошкодження.
4. Під час переміщення виробу зі сторони в сторону для зрізання трави використовуйте повну потужність.



Підмітання трави

Потік повітря від нитки тримера, що обертається, можна використати для прибирання трави.

1. Утримуйте головку та нитку тримера над землею й паралельно землі.
2. Повністю натисніть курок газу.
3. Переміщуйте головку тримера зі сторони в сторону й підмітайте таким чином траву.



ПОПЕРЕДЖЕННЯ: Очищуйте кришку головки тримера кожний раз під час встановлення нової нитки, адже це дозволить уникнути розбалансування й вібрації в рукоятках. Крім того, перевіряйте інші частини головки тримера й за необхідності очищуйте їх.

Заміна нитки тримера

Див. останню сторінку цього посібника користувача.

Технічне обслуговування



ПОПЕРЕДЖЕННЯ: Перед очищенням, ремонтуванням чи технічним

обслуговуванням уважно прочитайте розділ про правила техніки безпеки.

Графік технічного обслуговування

Технічне обслуговування	Щодня	Щотижня	Щомісяця
Очищення зовнішньої поверхні.	X		

Технічне обслуговування	Щодня	Щотижня	Щомісяця
Перевірка пасової підвіски на наявність пошкоджень.	X		
Перевірка дроселя й курка газу.	X		
Перевірка відсутності обертання різальної насадки на холостому ходу.	X		
Перевірте перемикач запуску/зупинки. Дивіться розділ <i>Перевірка вимикача на сторінці 163</i> .	X		
Перевірка захисного кожуха різальної насадки на наявність пошкоджень і тріщин.	X		
Перевірка вирівнювання поверхні ножа для трави відносно центру. Перевірка гостроти ножа для трави й відсутності пошкоджень леза та центрального отвору.	X		
Перевірка головки тримера на наявність пошкоджень і тріщин. У разі виявлення пошкоджень її слід замінити.	X		
Перевірка ручок і рукояток на наявність пошкоджень та правильність їх закріплення.	X		
Правильне затягування стопорного гвинта на різальних насадках з опорними манжетами.	X		
Правильне затягування стопорної гайки на різальних насадках зі стопорними гайками.	X		
Перевірка чохла для транспортування на наявність пошкоджень і можливість його правильного закріплення.	X		
Перевірка двигуна, паливного бака й бензопроводів на наявність витоків.	X		
Очистьте повітряний фільтр. Заміна, якщо це необхідно.	X		
Затягніть гвинти й гайки.	X		
Перевірка наявності домішок у паливному фільтрі, а також тріщин чи інших дефектів на шлангу подачі палива. Заміна, якщо це необхідно.	X		
Перевірка всіх кабелів та з'єднань.	X		
Перевірка стартера й троса стартера на наявність пошкоджень.		X	
Перевірка свічки запалювання. Дивіться розділ <i>Перевірка свічки запалювання на сторінці 179</i> .		X	
Перевірка, щоб кінцева зубчаста передача була заповнена мастилом на $\frac{3}{4}$.		X	
Очищення зовнішньої поверхні карбюратора й місця довкола нього.		X	
Почистьте свічку запалювання. Витягніть свічку запалювання та перевірте проміжок між електродами. Відрегулюйте проміжок між електродами або замініть свічку запалювання, якщо у цьому є потреба. Дивіться розділ <i>Технічні характеристики на сторінці 181</i> . Переконайтеся, що на свічку запалювання встановлено обмежувач напруги.		X	
Перевірка зчеплення, пружин зчеплення й барабана зчеплення на ознаки зношення. Заміна, якщо це необхідно.			X
Замініть свічку запалювання. Переконайтеся, що на свічку запалювання встановлено обмежувач напруги.			X
Змащення приводного вала.			X

Технічне обслуговування	Щодня	Щотижня	Щомісяця
Переконайтеся, що елементи поглинання вібрації не пошкоджені.		X	
Необхідно очистити систему охолодження виробу.		X	
Необхідно очистити глушник.			X

Регулювання карбюратора

Попереднє регулювання карбюратора виконують під час випробувань інструмента на заводі. Регулювання карбюратора повинен виконувати фахівець.

Перевірка глушника



ПОПЕРЕДЖЕННЯ: Не користуйтеся виробом із несправним глушником. Якщо глушник пошкоджено, обов'язково замініть його.



ПОПЕРЕДЖЕННЯ: Існує небезпека виникнення пожежі й опіків. Глушник, обладнаний каталітичним допалювачем газів, дуже сильно нагрівається під час роботи.



ПОПЕРЕДЖЕННЯ: Небезпека загоряння. Глушник знижує рівень шуму й відводить вихлопні гази від користувача. Вихлопні гази мають високу температуру й містять іскри.



УВАГА: Якщо іскрогасник пошкоджений, його необхідно замінити. Заборонено використовувати виріб у разі відсутності або пошкодження іскрогасника.



УВАГА: Якщо іскрогасник забився, виріб перегріватиметься, що призведе до пошкодження циліндра й поршня.

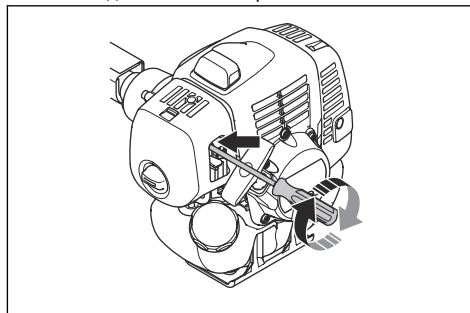
1. Перевірте глушник на відсутність пошкоджень.
2. Переконайтеся в тому, що глушник закріплено на виріб належним чином.

Налаштування частоти холостого ходу

Ваш виріб Husqvarna створений відповідно до технічних вимог щодо зменшення викидів шкідливих газів.

1. Перед налаштуванням частоти холостого ходу переконайтеся, що повітряний фільтр чистий, а кришку повітряного фільтра встановлено.

2. Налаштуйте частоту холостого ходу регулювальним гвинтом Т, позначеним літерою «Т».
 - a) Повертайте гвинт частоти холостого ходу Т за годинниковою стрілкою, доки різальна насадка не почне обертатися.



- b) Повертайте гвинт холостого ходу Т проти годинникової стрілки, доки різальна насадка не зупиниться, а шум від пристрою не зменшиться.



ПОПЕРЕДЖЕННЯ: Якщо після регулювання частоти холостого ходу різальна насадка не зупинилася, зверніться в центр обслуговування. Забороняється користуватися несправним або неправильно відрегульованим виробом.

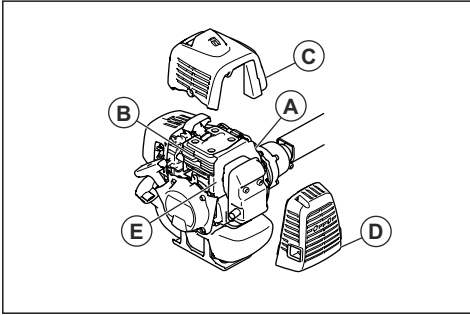
3. Частоту обертання на холостому ходу відрегульовано правильно, якщо двигун працює рівномірно в будь-якому положенні. Частота холостого ходу має бути нижчою за частоту, на якій починає обертатися насадка.

Зверніть увагу: Рекомендації щодо холостого ходу див. у *Технічні характеристики на сторінці 181.*

Система охолодження

Виріб оснащено системою охолодження, яка забезпечує зменшення робочої температури.

Система охолодження включає наступне:



- ребра на маховику (A);
- ребра охолодження на циліндрі (B);
- кришка циліндра (C) (скеровує холодне повітря на циліндр);
- кришка глушника (D);
- платівка глушника (E).

Очищення системи охолодження

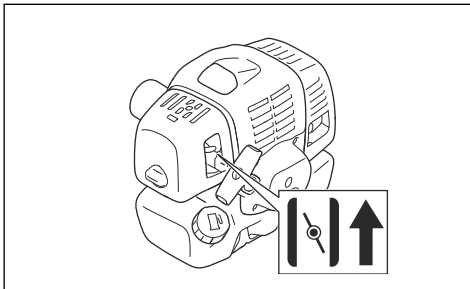


ПОПЕРЕДЖЕННЯ: Забруднена чи забита система охолодження може спричинити перегрівання виробу. Це, у свою чергу, призводить до пошкодження поршня й циліндра.

1. Очищуйте елементи системи охолодження щіткою щонайменше щотижня.

Повітряний фільтр

- Очищуйте фільтр кожні 25 годин. За необхідності виконуйте очищення частіше.
- Установіть важіль повітряної заслінки в закриті положення.



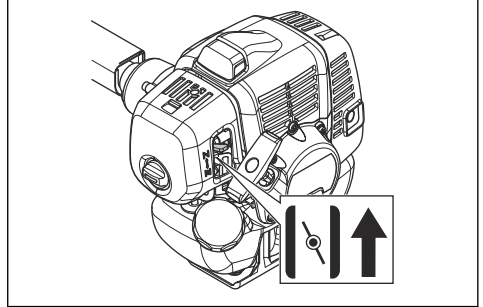
Очищення повітряного фільтра



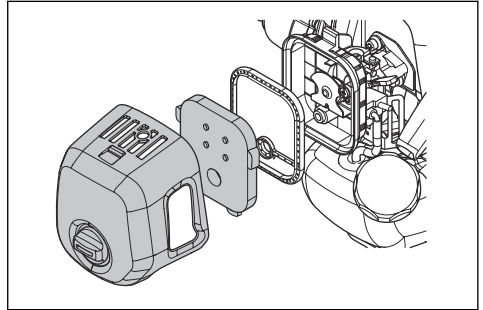
УВАГА: Пошкоджений, дуже брудний або просочений паливом повітряний фільтр підлягає заміні.

Неможливо повністю очистити повітряний фільтр, який використовувався протягом тривалого часу. Регулярно замінійте повітряний фільтр новим.

1. Закрийте повітряну заслінку.



2. Зніміть кришку повітряного фільтра.



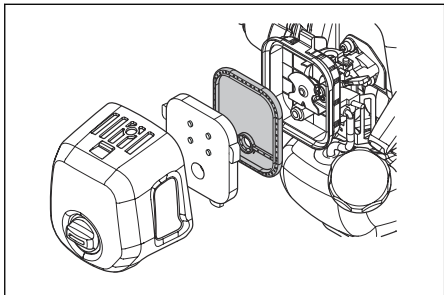
3. Вийміть повітряний фільтр.
4. Помийте повітряний фільтр у теплій мильній воді.
5. Якщо повітряний фільтр занадто брудний для очищення, замініть його. Пошкоджений повітряний фільтр обов'язково потрібно замінити.
6. Почистьте внутрішню поверхню кришки повітряного фільтра. Для цього використовуйте стисле повітря чи щітку.
7. Перед встановленням переконайтеся, що повітряний фільтр сухий.

Повстятий фільтр

- Обережно витрусіть повстятий фільтр рукою або очистьте його за допомогою стисненого повітря.



УВАГА: Не мийте повстятий фільтр водою. Вода може пошкодити повстятий фільтр.

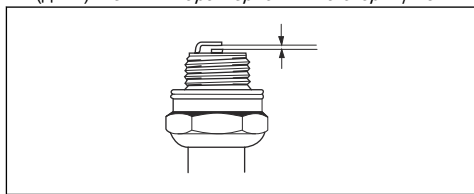
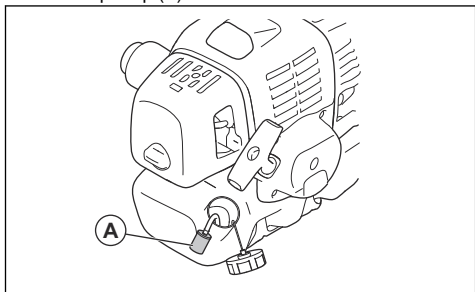


Неправильний тип свічки запалювання може призвести до пошкодження виробу.

- Якщо двигун втрачає потужність, його важко запустити або він погано працює на холостому ходу, необхідно перевірити свічку запалювання.
- Щоб зменшити ризик потрапляння зайвих предметів на електроди свічки запалювання, дотримуйтеся таких інструкцій:
 - a) переконайтеся, що швидкість холостого ходу налаштовано правильно;
 - b) переконайтеся в правильності змішування паливної суміші;
 - c) переконайтеся, що повітряний фільтр чистий.
- Якщо свічка запалювання забруднена, її слід очистити та переконаватися в тому, що між електродами встановлено правильний проміжок (див.). *Технічні характеристики на сторінці 181.*

Паливний фільтр

Якщо подача палива у двигун зменшується, перевірте, чи не засмічено паливну кришку й паливний фільтр (А).



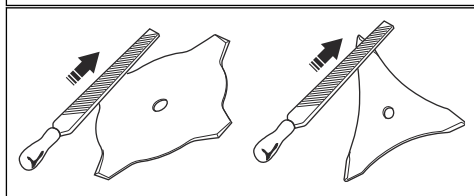
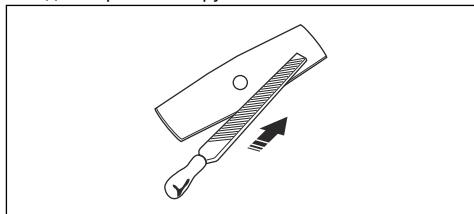
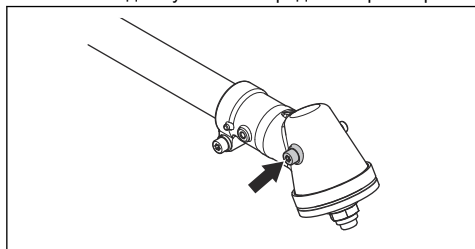
- За необхідності замініть свічку запалювання.

Загострення різця та ножа для трави

- Усі краї лез і ножів для трави необхідно загострювати однаково, щоб зберегти рівновагу виробу. Використовуйте плоский напилек з одностороннім візерунком.

Змащування конічної зубчастої передачі

- Конічна зубчаста передача має бути заповнена мастилом для зубчастих передач на три чверті.



Перевірка свічки запалювання



УВАГА: Завжди користуйтеся рекомендованими свічками запалювання.

Усунення несправностей

Усунення несправностей

Помилка запуску		
Перевірка	Можлива причина	Рішення
Кнопка зупинення	Положення "Stop" (Зупинка)	Установіть вимикач у положення запуску.
Собачки стартера	Зуби зчеплення	Налаштуйте чи замініть зуби.
		Очистьте область навколо зубів.
		Зверніться до авторизованого дилера з обслуговування.
Паливний бак	Неправильний тип палива.	Необхідно злити паливо і залити правильне.
Карбюратор	Регулювання швидкості холостого ходу.	Відрегулюйте швидкість холостого ходу за допомогою Т-подібного гвинта.
Іскра (немає іскри)	Свічка запалювання забруднена або волога.	Переконайтеся, що свічка запалювання суха та чиста.
	Неправильна відстань між електродами свічки запалювання.	Чищення свічки запалювання. Перевірте, чи зберігається правильний проміжок між електродами. Переконайтеся, що свічка запалювання має обмежувач напруги.
		Інформація про коректний проміжок між електродами подається у розділі технічних даних.
Свічка запалення	Свічка запалювання від'єднана.	Закрутіть свічку запалювання.
Паливний фільтр	Паливний фільтр забився.	Замініть паливний фільтр.

Двигун запускається, але його тривала робота неможлива.

Перевірка	Можлива причина	Рішення
Паливний бак	Неправильний тип палива.	Необхідно злити паливо і залити правильне.
Карбюратор	Двигун неправильно працюватиме на холостому ходу.	Зверніться до свого дилера з обслуговування.

Двигун запускається, але його тривала робота неможлива.

Перевірка	Можлива причина	Рішення
Повітряний фільтр	Повітряний фільтр забився.	Почистьте повітряний фільтр.
Паливний фільтр	Паливний фільтр забився.	Замініть паливний фільтр.

Транспортування та зберігання

- Забезпечуйте безпеку виробу під час транспортування, щоб уникнути пошкоджень і нещасних випадків.
- Зберігайте виріб й обладнання в сухому місці за температури вище 0 градусів.
- Очистьте виріб.
- Замініть або відремонтуйте пошкоджені частини.
- Використовуйте правильний захисний кожух, що не утримує вологи.
- Під час транспортування надійно закріплюйте виріб.

Технічні характеристики

Технічні характеристики

	531RS	541RS	541RST
Двигун			
Об'єм циліндра, см ³	33,6	41,5	41,5
Діаметр циліндра, Ø мм	36	40	40
Довжина такту циліндра, мм	33	33	33
Швидкість холостого ходу, хв ⁻¹ (об/хв)	2500±200	2500±200	2500±200
Рекомендована максимальна швидкість, хв ⁻¹ (об/хв)	12 000	12 000	12 000
Швидкість обертання вихідного вала, хв ⁻¹ (об/хв)	8570	8570	8570
Максимальна потужність двигуна, відповідно до ISO 8893, кВт за хв ⁻¹ (об/хв)	1,2 / 1,6 за 7000	1,6 / 2,1 за 7000	1,6 / 2,1 за 7000
Глушник із каталітичним конвертером	Hi	Hi	Hi
Система запалювання			
Свічка запалювання	NGK BPMR7A	NGK BPMR7A	NGK BPMR7A
Проміжок між електродами, мм	0,6–0,7	0,6–0,7	0,6–0,7
Паливна система й система змащування			
Місткість паливного бака, л	0,74	0,94	0,94

	531RS	541RS	541RST
Маса			
Без різальної насадки, кожуха різальної насадки, ранцевого ременя та з порожніми баками, кг	7,2	7,4	7,6
Випромінювання шуму ¹⁹			
Рівень звукової потужності, вимірний, дБ(А)	104	105	105
Гарантований рівень звукової потужності, L _{WA} дБ(А)	109	109	109
Рівні шуму ²⁰			
Еквівалентний рівень шумового тиску у вусі оператора, вимірний у відповідності до стандартів EN ISO 11806 і ISO 22868, дБ(А).			
Обладнано голівкою тримера (оригінальна деталь).	90	94	94
Обладнано ножем для трави (оригінальна деталь)	89	95	95
Рівні вібрації ²¹			
Еквівалентні рівні вібрації (a _{HV,eq}) на ручках, виміряні відповідно до стандартів EN ISO 11806 й ISO 22867, м/с ²			
Обладнано головою тримера (оригінальна деталь), ліво/право	2,8 / 3,0	3,1 / 2,8	5,6 / 5,1
Обладнано ножем для трави (оригінальна деталь), ліво/право	4,2 / 4,0	4,5 / 5,0	7,1 / 6,3

¹⁹ Випромінювання шуму в середовище, виміряне як звукова потужність (L_{WA}), відповідає директиві ЄС 2000/14/ЄС. Заявлений рівень звукової потужності цієї машини було виміряно під час роботи оригінальної різальної насадки, що створює найбільший рівень шуму. Різниця між гарантованим та вимірним рівнем звукової потужності полягає в тому, що гарантований рівень звукової потужності також враховує розбіжність у результатах вимірювання та відмінні між різними машинами однієї моделі згідно з Директивою 2000/14/ЄС.

²⁰ Заявлені дані про еквівалентний рівень звукового тиску мають стандартну статистичну розбіжність (стандартне відхилення) в 3 дБ(А).

²¹ Заявлені дані щодо рівня вібрації мають стандартну статистичну розбіжність (стандартне відхилення) у 1,5 м/с².

Додаткове приладдя

Аksesуари

Схвалені акcesуари	Тип акcesуара	Захисний кожух різальної насадки, арт. №
Ніж для трави / ножиці для трави	Multi 255-3 (діам. 255, 3 зубці)	584 40 42-01
	Multi 275-4 (діам. 275, 4 зубці)	584 40 42-01
	Multi 300-3 (діам. 300, 3 зубці)	584 40 42-01
	Multi 330-2 (діам. 330, 2 зубці)	584 40 42-01
Пластикові леза	Tricut діам. 300 мм (окремі леза мають номер деталі 531 01 77-15)	584 40 42-01
Головка тримера	T35, T35X (шнур діам. 2,4–3,0 мм)	584 40 42-01
	S35 (шнур діам. 2,4–3,0 мм)	584 40 42-01
	T45, T45x (шнур діам. 2,7–3,3 мм)	584 40 42-01
	T55x (шнур діам. 2,7–3,3 мм)	584 40 42-01
	S II	584 40 42-01
Опорна манжета	Зафіксована	–

Декларація відповідності

Декларація про відповідність ЄС



Назва видавця: Ми, компанія Husqvarna AB,
SE-561 82 Huskvarna, Sweden (Швеція), телефон:
+46-36-146500.

Husqvarna AB бере на себе повну відповідальність за виріб, що є предметом цієї декларації: тример та / або кущоріз із бензиновим двигуном, на платформах G34L і G43L моделі **Husqvarna 531RS, 541RS і 541RST** із серійними номерами, що датуються 2024 р. і пізніше. Номер платформи, номер моделі, рік випуску та відповідний серійний номер зазначено на заводській паспортній таблиці.

Вищезазначений об'єкт декларації відповідає вимогам Директиви Ради ЄС:

- від 17 травня 2006 р. «Про машини та механізми» **2006/42/EC;**
- від 26 лютого 2014 р. «Про електромагнітну сумісність» **2014/30/EU;**
- від 8 травня 2000 р. «Про випромінювання шуму до навколишнього середовища» **2000/14/EC;**
- від 8 червня 2011 р. «Про обмеження використання деяких небезпечних речовин» **2011/65/EU.**

Застосовано процедуру оцінки відповідності згідно з Директивою 2000/14/EC, Додаток V.

Відомості стосовно випромінювання шуму дивіться в розділі *Технічні характеристики на сторінці 181.*

Застосовано такі стандарти:

EN ISO 11806-1:2022, EN ISO 14982:2009, EN ISO 12100:2010, EN IEC 63000:2018

Компанія TÜV Rheinland LGA Products GmbH, Tillystrasse 2, D-90431 Nuernberg, Germany (Німеччина), 0197, виконала добровільну перевірку від імені компанії Husqvarna AB та видала їй AM 50609261 (541RS, 541RST), AM 50609279 (531RS) – сертифікат відповідності нормам директиви Ради ЄС 2006/42/EC «Про машини та механізми». Цей сертифікат діє для всіх місць виробництва та країн-виробників, зазначених на виробі. Тример та (або) кущоріз, що постачається, жодним чином не відрізняється від зразка, що пройшов випробування.

Husqvarna AB, Хускварна, Швеція, 2024-01-15

Клас Лосдал (Claes Losdal), директор відділу НДДКР,
Husqvarna AB

Відповідальний за технічну документацію

المحتويات

204	النقل والتخزين.....	185	مقدمة.....
204	البيانات الفنية.....	187	السلامة.....
206	الملحقات.....	192	التجميع.....
207	بيان التوافق.....	196	التشغيل.....
208	الملحق.....	200	الصيانة.....
		203	استكشاف الأخطاء وإصلاحها.....

مقدمة

أخرى غير تشذيب العشب وإزالته. استخدم شفرة تشذيب العشب أو رأس التشذيب لقطع العشب.

ملاحظة: قد تُعدّ اللوائح التنظيمية الوطنية أو المحلية استخدام هذا المنتج. التزم بتلك اللوائح التنظيمية.

وصف المنتج

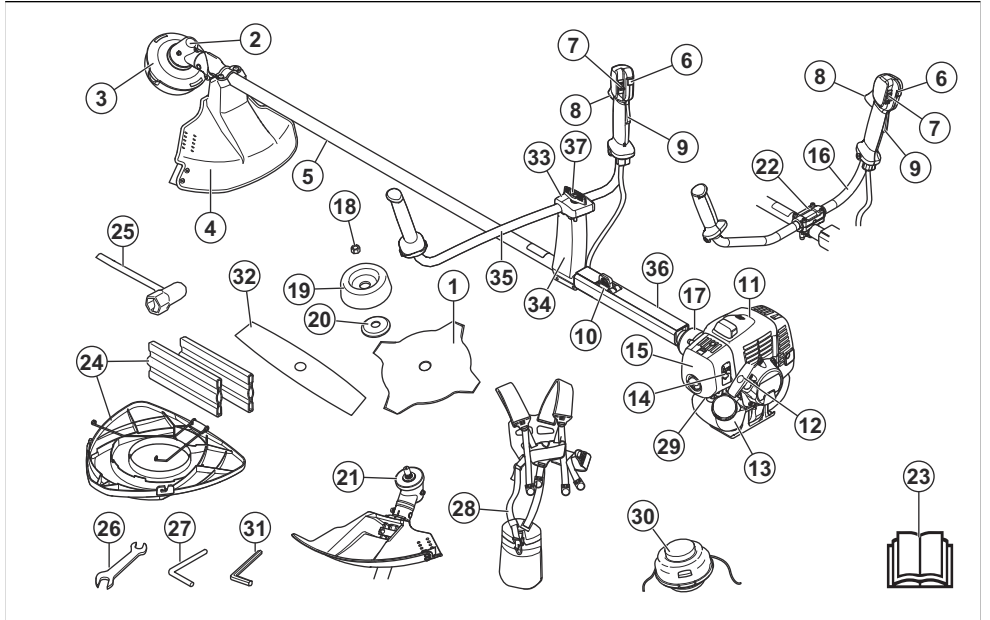
هذا المنتج آلة تشذيب عشب/آلة قطع حشائش مزودة بمحرك احتراق.

يجري العمل على قدم وساق لزيادة السلامة والكفاءة في أثناء التشغيل. تحدث مع وكيل الخدمة الخاص بك لمزيد من المعلومات.

الغرض من الاستخدام

يمكن استخدام المنتج مع تركيب شفرة تشذيب العشب أو رأس التشذيب لقطع مختلف أنواع النباتات. لا تستخدم المنتج لأداء مهام

نظرة عامة على المنتج



1. الشفرة (لا تتوفر لكل الأسواق)
2. غطاء فتحة تعبئة الشحم، للترس المخروطي
3. الترس المخروطي
4. وافي ملحق القطع
5. العمود
6. زر زناد سرعة التشغيل
7. مفتاح الإيقاف
8. مفتاح التحكم في السرعة

احرص على إبقاء مسافة لا تقل عن 15 متراً / 50 قدماً بين الجهاز وبين الأشخاص والحيوانات خلال تشغيله.



خطر ارتداد الشفرة بقوة إذا لامست معدات القطع جسماً صلباً لا تستطيع قطعه على الفور. وبإمكان المنتج أن يقطع أعضاء الجسم. لذلك احرص على إبقاء مسافة لا تقل عن 15 متراً / 50 قدماً بين الجهاز وبين الأشخاص والحيوانات خلال تشغيله.



يشير السهمان إلى الحد الأقصى لوضع المقبض.



الخانق.



بصلة طرد الهواء.



استخدم قفازات واقية معتمدة.



استخدم أحذية شديدة التحمل مقاومة للانزلاق.



انبعاث الضوضاء المضرّة بالبيئة كما هو مشار إليه في توجيه المفوضية الأوروبية. تم تحديد قيمة انبعاث المنتج في البيانات الفنية في الصفحة 204 وعلى الملصق.



تعرض لوحة التصنيف الرقم التسلسلي. حيث يشير **yyyy** إلى سنة الإنتاج، و**ww** إلى أسبوع الإنتاج.

yyyywwxxxx

ملاحظة: تشير الرموز/الملصقات الأخرى الموجودة على المنتج إلى متطلبات الاعتماد الخاصة بالمناطق التجارية الأخرى.

الضرر الملحق بالمنتج

نحن غير مسؤولين عن الأضرار التي تلحق بمنتجاتنا في الحالات التالية:

- إصلاح المنتج بطريقة خاطئة.
- إصلاح المنتج باستخدام أجزاء ليست من إنتاج الشركة المصنعة أو غير معتمدة منها.
- استخدام المنتج مع ملحق ليس من إنتاج الشركة المصنعة أو غير معتمد منها.

9. قفل زناد السرعة

10. حلقة التعليق

11. غطاء الأسطوانة

12. مقبض شريط بادئ التشغيل

13. خزان الوقود

14. مفتاح التحكم في الخانق

15. غطاء فلتر الهواء

16. المقود (في الطرازين 531RS، و541RS)

17. غطاء القابض

18. صامولة القفل

19. جلبة داعمة

20. شفة داعمة

21. قرص التدوير

22. قامطة تثبيت المقود (في الطرازين 531RS، و541RS)

23. دليل المشغل

24. واقي النقل (لا يتوفر لكل الأسواق)

25. مفتاح ربط صندوقي

26. مفتاح ربط

27. مسمار تثبيت (للمنتجات التي من دون مفتاح سداسي)

28. الحمالة

29. بصلة طرد الهواء

30. رأس التشذيب (لا يتوفر لكل الأسواق)

31. مفتاح سداسي

32. شفرة ذات حدين (لا تتوفر لكل الأسواق)

33. غطاء (541RST)

34. كتيبة (541RST)

35. المقود (541RST)

36. الكم الواقية

37. مقبض دوار (541RST)

الرموز الموجودة على المنتج

تحذير: من الممكن أن يكون هذا المنتج خطراً وقد يسبب إصابة جسيمة أو الوفاة للمشغل أو الآخرين. كن حذراً واستخدم المنتج بشكل صحيح.



اقرأ دليل المشغل بعناية وتأكد من فهم الإرشادات قبل الاستخدام.



استخدم خوذة واقية في المواقع التي يمكن أن تسقط فيها الأجسام عليك. واستخدم أدوات معتمدة لحماية السمع والبصر.



أقصى سرعة لعمود الخرج.



قد يتسبب المنتج في قذف أجسام، ما قد يؤدي إلى التعرض للإصابة.



السلامة

تعريفات السلامة

تشير التعريفات أدناه إلى مستوى الخطورة لكل كلمة إشارة.



تحذير: إصابة الأشخاص.



تنبيه: ضرر المنتج.

ملاحظة: تسهّل هذه المعلومات استخدام المنتج.

إرشادات السلامة العامة



تحذير: اقرأ الإرشادات التحذيرية التالية قبل استخدام المنتج.

- احرص على استخدام المنتج بشكل صحيح. فقد تحدث إصابة أو وفاة بسبب الاستخدام غير الصحيح. استخدم المنتج ل أداء المهام الواردة في هذا الدليل فقط. لا تستخدم المنتج ل أداء المهام الأخرى.
- التزم بالإرشادات الواردة في هذا الدليل. والتزم برموز السلامة وإرشادات السلامة. وإذا لم يلزم المشغل بالإرشادات والرموز، فقد يتعرض للإصابة أو الضرر أو الوفاة نتيجة لذلك.
- لا تجاهل هذا الدليل. واتبع الإرشادات لتجميع المنتج وتشغيله والحفاظ عليه في حالة جيدة. واتبع الإرشادات لتركيب الملحقات والإكسسوارات بشكل صحيح. ولا تستخدم سوى الملحقات والإكسسوارات المعتمدة.
- لا تستخدم أي منتج نالف. والتزم بجدول الصيانة. يمكنك إجراء أعمال الصيانة التي لها إرشادات في هذا الدليل فقط. ويجب إجراء كل أعمال الصيانة الأخرى عن طريق مركز خدمة معتمد.
- لا يمكن إدراج كل الحالات التي قد تحدث عند استخدام المنتج في هذا الدليل. لذا توخّ الحذر وإستخدم المنطق السليم. وتجنب تشغيل المنتج أو صيانه إذا لم تكن متأكدًا مما تعين فعله. واستشر أحد خبراء المنتج، أو الموزع الذي اشتريته منه المنتج، أو وكيل الخدمة، أو مركز الخدمة المعتمد للحصول على المعلومات.
- أفضل كابل شمعة الإشعال قبل تجميع المنتج أو تخزينه أو صيانه.
- لا تستخدم المنتج في حال تغيرت مواصفاته الأصلية. لا تمم بتغيير قطع غيار المنتج من دون اعتماد الجهة المصنّعة. ولا تستخدم إلا قطع الغيار المعتمدة من الجهة المصنّعة. فقد تحدث إصابة أو وفاة بسبب الصيانة غير الصحيحة.
- لا تستنشق الأدخنة المنبعثة من المحرك. وذلك لأن استنشاق أدخنة العادم المنبعثة من المحرك لمدة طويلة خطر على الصحة.
- لا تبدأ تشغيل المنتج في الأماكن المغلقة أو بالقرب من المواد سريعة الاشتعال. لأن أدخنة العادم تكون ساخنة وقد تحتوي على شرر يمكن أن يتسبب في نشوب حريق. لأن عدم تدفق

الهواء الكافي قد يتسبب في حدوث إصابة أو وفاة بسبب الاختناق أو أول أكسيد الكربون.

• يُنتج المحرك حفلاً كهرومغناطيسياً عند استخدام هذا المنتج. ويمكن أن يسبب الحقل الكهرومغناطيسي ضرراً على الغرسات الطبية. استشير الطبيب والجهة المصنّعة للغرسات الطبية قبل تشغيل المنتج.

• لا تسمح للأطفال بتشغيل المنتج. لا تسمح لأي شخص ليس على دراية بالإرشادات بتشغيل المنتج.

• احرص دوماً على مراقبة الشخص الذي يستخدم المنتج والذي يعاني من إعاقة بدنية أو عقلية. ويجب أن يكون هناك دائماً شخص بالغ مسؤول.

• احتفظ بالمنتج في منطقة مغلقة لا يستطيع الأطفال أو الأشخاص غير المعتمدين الوصول إليها.

• يمكن أن يقدف المنتج أجساماً ويتسبب في حدوث إصابة. التزم بإرشادات السلامة للحد من خطر الإصابة أو الوفاة.

• لا تتعد عن المنتج عندما يكون المحرك قيد التشغيل.

• يتحمل المشغل المسؤولية في حال وقوع حادث.

• تأكد من سلامة القطع قبل استخدام المنتج.

• احرص على ترك مسافة لا تقل عن 15 متراً (50 قدماً) من الأشخاص الآخرين أو الحيوانات قبل استخدام المنتج. واحرص على إعلام الأشخاص الحاضرين في الجوار بأنك ستستخدم المنتج.

• راجع القوانين الوطنية أو المحلية. وذلك لأنها قد تحظر تشغيل المنتج أو تعيقه في بعض الحالات.

• لا تستخدم المنتج إذا كنت منهكاً أو إذا كنت تحت تأثير الكحول أو المخدرات أو الأدوية. لأن هذه الحالات قد تؤثر في الرؤية أو الانتباه أو التناسق الجسدي أو تقدير المواقف.

إرشادات السلامة المتعلقة بالتجميع



تحذير: اقرأ الإرشادات التحذيرية التالية قبل استخدام المنتج.

- استخدم قفازات واقية معتمدة عند تجميع المنتج وملحق القطع. انزع غطاء شمعة الإشعال من شمعة الإشعال قبل تجميع المنتج.
- تأكد من تركيب المقود وواقى ملحق القطع الصحيحين قبل تشغيل المنتج.
- يمكن أن يتسبب واقى ملحق القطع التالف أو غير الصحيح في حدوث إصابات. ولا تستخدم ملحق القطع من دون واقى ملحق قطع معتمد.
- ركب غطاء القابض والعمود بشكل صحيح قبل بدء تشغيل المنتج.
- يجب تعشيق قرص التدوير والشفة الداعمة بشكل صحيح في الفتحة المركزية لملحق القطع. وذلك لأن تركيب ملحق القطع بشكل غير صحيح يمكن أن يسبب الإصابة أو الوفاة.
- اربط الحمالّة بالمنتج لتجنب إصابة المشغل أو الآخرين.

إرشادات السلامة المتعلقة بالتشغيل

• تأكد من تجميع المنتج بالكامل قبل استخدامه.

- لا تضع المنتج أرضاً في أثناء تشغيل المحرك.
- قبل إزالة المواد غير المرغوب فيها من المنتج، أوقف تشغيل المحرك وانتظر حتى يتوقف ملحق القطع. أترك ملحق القطع يتوقف قبل أن تزيل أنت أو من يعاونك مواد القطع.

معدات الوقاية الشخصية



تحذير: اقرأ الإرشادات التحذيرية التالية قبل استخدام المنتج.

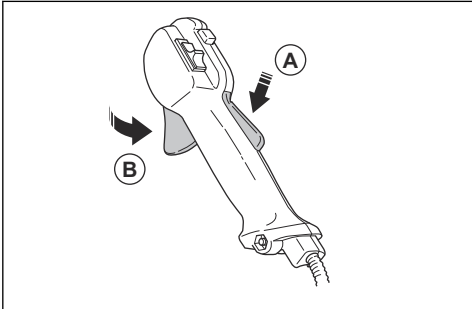
- استخدم دائماً معدات الوقاية الشخصية المناسبة عند تشغيل المنتج. يبد أن معدات الوقاية الشخصية لا تقضي على خطورة الإصابة، لكنها تقلل من درجة الإصابة في حالة وقوع حادث.
- استخدم دائماً معدات معتمدة لحماية البصر خلال تشغيل المنتج.
- لا تُشغّل المنتج وأنت حافي القدمين أو إذا كنت ترتدي حذاءً مفتوحاً. واستخدم دائماً أحذية شديدة التحمل مقاومة للانزلاق.
- ارتدِ سروالاً طويلاً وثقيلاً.
- استخدم قفازات واقية معتمدة إذا تطلب الأمر.
- ارتدِ خوذة إذا كان من الممكن أن تسقط أجسام على رأسك.
- استخدم دائماً معدات معتمدة لحماية الأذنين في أثناء تشغيل المنتج. قد يؤدي الضجيج لفترة طويلة إلى فقدان السمع نتيجة الضجيج.
- تأكد من وجود طقم الإسعافات الأولية بالقرب منك.

الأجهزة الوقائية الموجودة في المنتج

- احرص على صيانة المنتج على نحو دوري.
- سيزداد عمر المنتج.
- سيفقد خطر وقوع الحوادث.
- أرسل المنتج إلى الوكيل المعتمد أو مركز الخدمة المعتمد لفحصه على نحو دوري وإجراء عمليات الصيانة والإصلاح.
- لا تستخدم منتجاً بمعدات حماية تالفة. في حال تلف المنتج، استشر مركز الخدمة المعتمد.

لفحص قفل زناد السرعة

1. تأكد من أن قفل زناد السرعة (A) وزناد السرعة (B) يتحركان بحرية ومن أن زنبرك الرجوع يعمل بشكل صحيح.



- قبل بدء تشغيل المنتج، أبعاد المنتج مسافة 3 أمتار (10 أقدام) عن الموضع الذي قمت فيه بتعبئة خزان الوقود. ضع المنتج على سطح مستو، واحرص على تجنب ملامسة ملحق القطع للأرض أو أي أجسام أخرى.
- يمكن أن يتسبب المنتج في قذف أجسام، ما قد يؤدي إلى الإضرار بالعينين. استخدم دائماً معدات معتمدة لحماية البصر عند تشغيل المنتج.
- كن حذراً، لأنه يمكن أن يقترب طفل من المنتج وهو يعمل في غفلة منك.
- لا تُشغّل المنتج في حال وجود أشخاص في منطقة العمل. وأوقف تشغيل المنتج في حال دخول شخص منطقة العمل.
- تأكد من أنك متحكّم في الجهاز دائماً.
- لا تستخدم المنتج إذا لم تكن تستطيع تلقي المساعدة في حال وقوع حادث. احرص دائماً على إعلام الآخرين بأنك ستشغّل المنتج قبل تشغيله.
- لا تستدر بالجهاز قبل أن تتأكد من عدم وجود أشخاص أو حيوانات في المنطقة الآمنة.
- أزل كل المواد غير المرغوب فيها من منطقة العمل قبل البدء. إذا اصطدم ملحق القطع بجسم ما، يمكن أن يقذف الجسم ويسبب إصابة أو ضرراً. ويمكن أن تلتف المواد غير المرغوب فيها على ملحق القطع وتسبب ضرراً.
- لا تستخدم المنتج في ظروف الطقس السيئة (الضباب أو المطر أو الرياح القوية أو خطر البرق أو غيرها من حالات الطقس). فقد تحدث حالات خطيرة (كان تكون الأسطح زلقة) بسبب سوء الطقس.
- تأكد من أنه يمكنك التحرك بحرية والعمل بوضعية مستقرة.

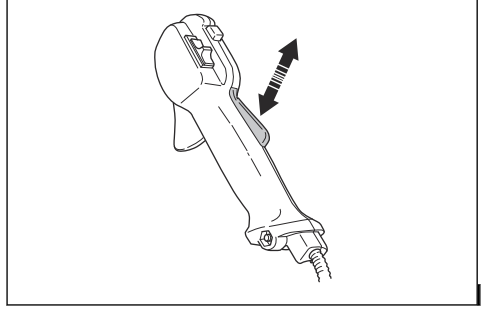


- تأكد من أنك لن تسقط عند استخدام الجهاز. لا تمل عند تشغيل المنتج.
- أمسك المنتج بكلتا يديك دائماً. وأمسيكه بحيث يكون على الجانب الأيمن من جسمك.

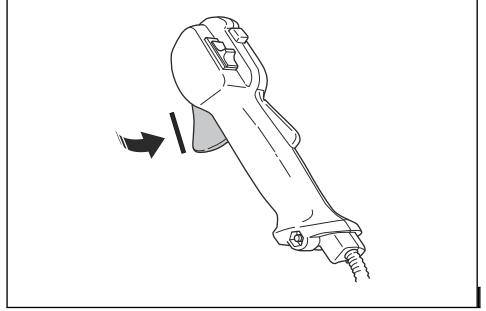


- شغّل المنتج مع جعل ملحق القطع أسفل خصرك.
- إذا كان مفتاح التحكم في الخانق في وضع الخانق عند بدء تشغيل المحرك، فسيبدأ ملحق القطع في الدوران.
- لا تلمس الترس المخروطي بعد توقف المحرك. لأن الترس المخروطي يكون ساخناً بعد توقف المحرك. قد تسبب المناطق الساخنة الإصابة.
- أوقف تشغيل المحرك قبل نقل المنتج.

2. اضغط إلى أسفل على قفل زناد السرعة وتأكد من عودته إلى وضعه الأولي عند تحريره.



3. تأكد من تثبيت قفل زناد السرعة في وضعية التباطؤ عند تحرير قفل زناد السرعة.



4. شغّل المنتج واستعمل السرعة الكاملة

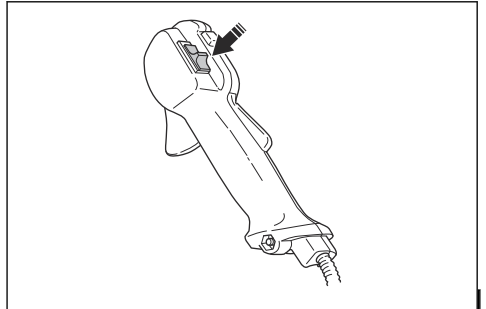
5. حرّر زناد السرعة وتأكد من توقف ملحق القّطع وبقائه ثابتاً من دون حركة.

تحذير: إذا تحرك ملحق القّطع عند وجود زناد السرعة في وضع التباطؤ، فيجب ضبط سرعة تباطؤ الكاربوتر. راجع لضبط سرعة التباطؤ في الصفحة 201.



لفحص مفتاح إيقاف التشغيل

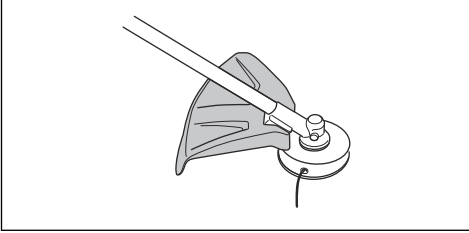
1. ابدأ تشغيل المحرك.
2. حرك مفتاح إيقاف التشغيل إلى وضع الإيقاف وتأكد من توقف المحرك.



لفحص وإيقاف ملحق القّطع

يعمل وإيقاف ملحق القّطع على إيقاف الأجسام التي تُقَدَّف في اتجاه المشغّل. ويعمل أيضاً على تجنب الإصابات التي تحدث في حال لمس ملحق القّطع.

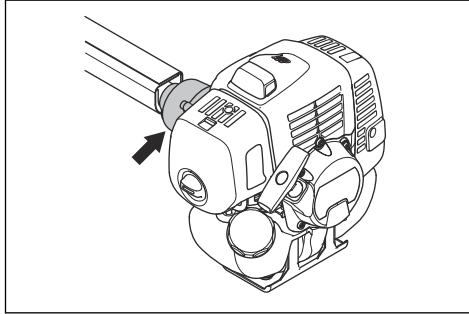
1. أوقف المحرك.
2. أجر فحصاً بصرياً للتأكد من عدم وجود تلفيات، مثل التشققات.



3. استبدل وإيقاف ملحق القّطع إذا كان تالفاً.

لفحص نظام تخميد الاهتزاز

يقال نظام تخميد الاهتزاز من الاهتزاز في المقابض إلى أدنى حد ما يسهل عملية التشغيل.



1. أوقف المحرك.
2. أجر فحصاً بصرياً للتأكد من عدم وجود أي تشوهات وأضرار على سبيل المثال تشققات.
3. تأكد من تركيب عناصر نظام تخميد الاهتزاز بشكل صحيح.

لفحص آلية التحرير السريع

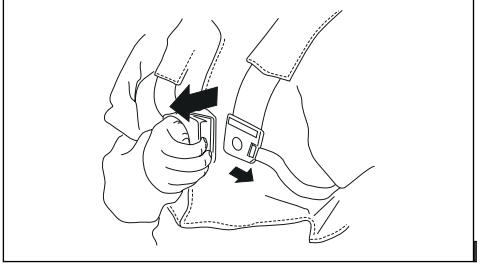
تحذير: لا تستخدم حمالة لا تعمل آلية التحرير السريع فيها بشكل صحيح.



تتيح آلية التحرير السريع للمشغّل نزع المنتج بسرعة من الحمالة في حالات الطوارئ.

1. أوقف المحرك.
2. أجر فحصاً بصرياً للتأكد من عدم وجود تلف مثل التشققات.

3. حرر آلية التحرير السريع وركبها للتأكد من أنها تعمل بشكل صحيح.



تركيب صامولة القفل وإزالتها

تحذير: أوقف تشغيل المحرك، واربد قفازات واقية واحذر من الحواف الحادة لملحق القطع.



لفحص كاتم الصوت

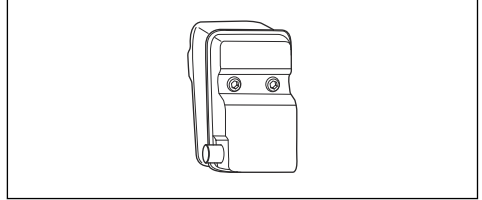
تحذير: لا تستخدم أبداً منتجاً به كاتم صوت معيب.



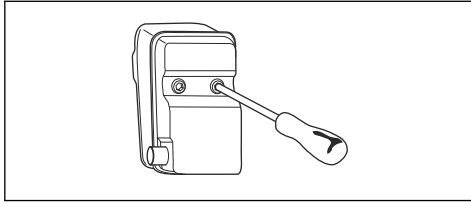
تحذير: وضع في حسابك أن أدخنة العادم المنبعثة من المحرك تكون ساخنة وقد تحتوي على شرر يمكن أن يتسبب في نشوب حريق. تجنب مطلقاً تشغيل المنتج في الأماكن المغلقة أو بالقرب من المواد القابلة للاحتراق!



يبقى كاتم الصوت مستويات ضوضاء عند حدّها الأدنى ويُبعد أدخنة العادم عن المشغل. من المهم جداً اتباع إرشادات فحص كاتم الصوت وصيانتها وإصلاحه.

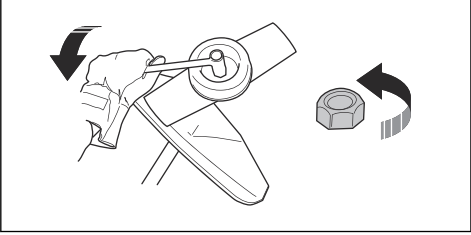


تحقق من ثبات كاتم الصوت بالمنتج جيداً على نحو دوري.



تُستخدم صامولة القفل لتثبيت بعض أنواع ملحقات القطع. وتكون السن اللولبية لصامولة القفل يسارية.

- للتثبيت، أحكم ربط صامولة القفل في عكس اتجاه دوران ملحق القطع.
- لإزالة صامولة القفل، فكّ صامولة القفل في نفس اتجاه دوران ملحق القطع.
- لفك صامولة القفل وربطها، استخدم مفتاح ربط صندوقياً بعمود طويل. وبوضع السهم الموجود في الصورة المنطقية التي يمكنك فيها استخدام مفتاح الربط الصندوقي.



تحذير: عند فك صامولة القفل وربطها، يوجد خطر التعرض للإصابة من الشفرة. ولذلك عليك دائماً التأكد من أن واقى الشفرة مركب لتجنب إصابة يدك خلال هذين الإجراءين.



ملاحظة: تأكد من أنه لا يمكنك لفّ صامولة القفل بيدك. واستبدل الصامولة إذا قلت مقاومة بطاقتها المصنوعة من النايلون عن 1,5 نيوتن متر بعد أدنى. ويجب استبدال صامولة القفل بعد تركيبها 10 مرات تقريباً.

معدات القطع

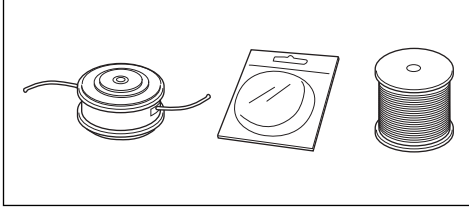
اختر معدات القطع المناسبة وقم بصيانتها للاستفادة من الآتي:

- تحقيق أقصى أداء للقطع.
- زيادة العمر الافتراضي لمعدات القطع.
- اتباع إرشادات الفحص والصيانة والإصلاح الخاصة بكاتم الصوت.
- استخدام دائماً الواقي الموصى به لكل من معدات القطع. راجع البيانات الفنية.

تحذير: لا تستخدم ملحقات القطع إلا مع الواقيات التي نوصي بها! راجع فصل "البيانات الفنية". راجع



إرشادات ملحق القَطْع لمعرفة الطريقة الصحيحة لتركيب خيط التشذيب وطول قَطْره الصحيح.



تحذير: قد يزيد ملحق القَطْع المعيب من مخاطر وقوع الحوادث.

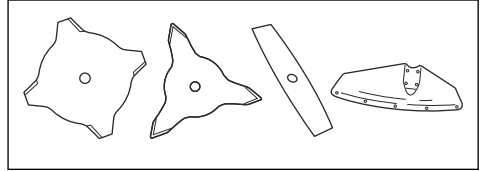


تحذير: أوقف تشغيل المحرك دائماً قبل إجراء أي أعمال على ملحق القَطْع. وسيتم ملحق القَطْع في الدوران حتى بعد تحرير زناد السرعة. تأكد من توقف ملحق القَطْع تماماً وافصل غطاء شمعة الإشعال قبل البدء في العمل عليه.

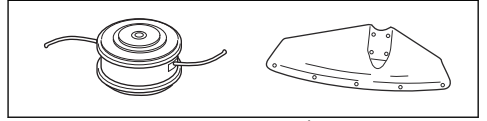


معدات القَطْع

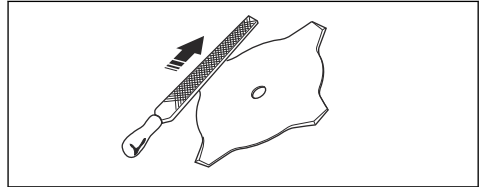
- استخدم الشفرات والسكاكين لقطع العشب الكثيف.



- استخدم رأس التشذيب لقطع العشب.



- تزيد الشفرة التالفة أو المشحودة بشكل غير صحيح من مخاطر وقوع الحوادث. حافظ على شحذ أسنان الشفرة بشكل صحيح. واتباع التعليمات الواردة في الصيانة في الصفحة 200 واستخدم مقياس المبرد الموصى به.



- افحص ملحق القَطْع بحثاً عن أي تلف أو تشققات. واستبدل ملحق القَطْع التالف.

- لا تستخدم ملحقات القَطْع إلا مع واقيات ملحقات القَطْع الموصى بها. راجع الملحقات في الصفحة 206.

رأس التشذيب

تحذير: تأكد دائماً من أن خيط التشذيب ملفوف بإحكام وتساو على الدارة لتجنب الاهتزاز الضار.



- لا تستخدم إلا ملحقات القَطْع الموصى بها.
- من المهم مراعاة طول خيط التشذيب. فعلى سبيل المثال، يتطلب خيط التشذيب الطويل قدرة محرك أعلى من خيط التشذيب الأقصر بالقطر نفسه.
- لا تحرك الموضع تركيب وإقاي رأس التشذيب.
- تأكد من أن القاطع المثبت في الواقي غير تالف. ويقطع هذا القاطع خيط التشذيب ليصل إلى الطول المضبوط.
- انقع خيط التشذيب في الماء مدة يومين قبل استخدامه، وهذا لزيادة عمره التشغيلي.

شفرات تشذيب العشب وقواطع العشب

- استخدم المنتج مع شفرة تشذيب عشب معتمدة. ولا تستخدم شفرة تشذيب العشب من دون تركيب كل القَطْع اللازمة بطريقة سليمة. وتأكد من إجراء التركيب على نحو صحيح واستخدام القَطْع المناسبة. فالتركيب غير الصحيح قد يؤدي إلى تطاير الشفرة وإصابة المشغل أو المارة بجروح خطيرة.
- ارتد قفازات واقية عند التعامل مع الشفرة أو صاباتها.
- استخدم معدات حماية الرأس عند تشغيل منتج مزود بشفرة تشذيب العشب.
- تستخدم شفرات تشذيب العشب وقواطع العشب لقطع العشب الكثيف.
- يمكن أن تُسبب شفرة تشذيب العشب الإصابة خلال استمرارها في الدوران بعد توقف المحرك أو تحرير زناد السرعة. ولهذا تأكد من توقفها عن الدوران تماماً قبل إجراء أي صيانة.
- أوقف تشغيل المحرك قبل إجراء أي أعمال على ملحق القَطْع. وتأكد من توقف ملحق القَطْع تماماً. وافصل الموصل من شمعة الإشعال.
- لا تستخدم إلا ملحق قَطْع معتمداً أو شفرة مشحودة بشكل صحيح.
- حافظ على شحذ أسنان الشفرة بشكل صحيح.
- لا تستخدم ملحق قطع تالفاً.
- ركب وإقاي النقل في شفرة تشذيب العشب عند نقل المنتج أو تخزينه.

ارتداد الشفرة بقوة

- إن ارتداد الشفرة بقوة حركة مفاجئة للمنتج إلى الجانب أو الأمام أو الخلف. ويحدث ارتداد الشفرة بقوة عندما تصطم شفرة تشذيب العشب بجسم لا تستطيع قطعه. ويزداد خطر ارتداد الشفرة بقوة في المناطق التي تصعب فيها رؤية المواد التي يجري قطعها.
- عندما ترد الشفرة بقوة، يوجد خطر أن ينحرف المنتج أو المشغل عن مكانه. ويمكن أن ترتطم الشفرة المنحرفة بالمارة مع خطر إصابتهم بجروح.
- إذا انتت الشفرة أو تشققت أو انكسرت أو تضررت، فنخلص منها.
- استخدم شفرة حادة. لأن خطر ارتداد الشفرة بقوة يزيد عندما تكون الشفرة غير حادة.

السلامة المتعلقة بالوقود

- لا تصف الوقود إلى المحرك في منطقة مغلقة. لأن عدم تدفق الهواء الكافي قد يتسبب في حدوث إصابة أو وفاة بسبب الاختناق أو أول أكسيد الكربون.
- أحكم إغلاق غطاء خزان الوقود بعناية والا قد ينشب حريق.
- انقل المنتج على بعد 3 أمتار (10 أقدام) بحد أدنى من المكان الذي قمت فيه بملء الخزان قبل بدء التشغيل.
- لا تضع الكثير من الوقود في خزان الوقود.
- تأكد من عدم حدوث تسرب عند تحريك المنتج أو حاوية الوقود.
- لا تضع المنتج أو حاوية الوقود حيث يوجد لهب مكشوف أو شرارة أو ضوء دليبي. تأكد من أن منطقة التخزين لا تحوي على لهب مكشوف.
- استخدم الحاويات المعتمدة فقط عند نقل الوقود أو تخزينه.
- أفرغ خزان الوقود قبل التخزين لفترة طويلة. يجب الالتزام بالقانون المحلي في ما يخص مكان التخلص من الوقود.
- نظّف المنتج قبل تخزينه لفترة طويلة.
- أزل كابل شمعة الإشعال قبل تخزين المنتج للتأكد من عدم بدء تشغيل المحرك عن طريق الخطأ.

إرشادات السلامة المتعلقة بالصيانة

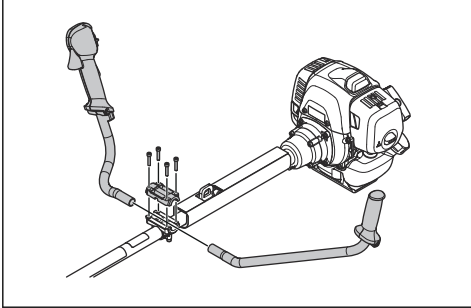
- إذا لم تستطع ضبط سرعة التباطؤ لجعل ملحق القطع يتوقف، فاستشير مركز الخدمة. ولا تستخدم المنتج حتى يتم ضبطه بشكل صحيح أو إصلاحه.

- لا تبدأ تشغيل المنتج في حالة وجود وقود أو زيت محرك على المنتج. أزل الوقود/الزيت غير المرغوب فيه واطرك المنتج ليحفظ. أزل الوقود غير المرغوب فيه من المنتج.
- إذا انسكب الوقود على ملابسك، فقم بتغيير الملابس على الفور.
- احرص على ألا يلمس الوقود جسمك، فقد يتسبب ذلك في حدوث إصابة. إذا لمس الوقود جسمك، فاستخدم الصابون والماء لإزالته.
- لا تبدأ بتشغيل المحرك إذا سكبت زيتاً أو وقوداً على المنتج أو على جسمك.
- لا تبدأ بتشغيل المنتج إذا كان ثمة تسرب في المحرك. افحص المحرك للتأكد من عدم وجود تسربات بانتظام.
- توخّ الحذر عند استخدام الوقود. إذ إنه قابل للاشتعال وأبخرته قابلة للانفجار وقد تتسبب بحدوث إصابات أو الوفاة.
- لا تستنشق أبخرة الوقود، فقد يؤدي ذلك إلى إصابة. وتأكد من وجود تدفق كافٍ للهواء.
- لا تدخن بالقرب من الوقود أو المحرك.
- لا تضع أجساماً دافئة بالقرب من الوقود أو المحرك.
- لا تصف الوقود في أثناء تشغيل المحرك.
- تأكد من أن المحرك بارد قبل إعادة تزويده بالوقود.
- قبل إعادة التزوّد بالوقود، افتح غطاء خزان الوقود ببطء ثم قم بتصريف الضغط بحرص.

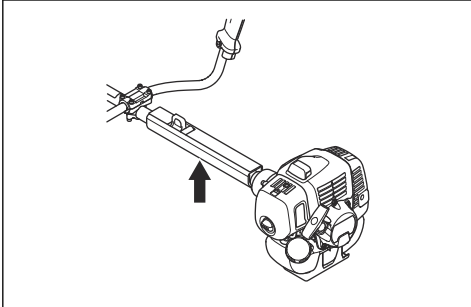
التجميع

تركيب المقود (531RS, 541RS)

1. ركب المقود في قامة تثبيت المقود الموجودة في العمود.



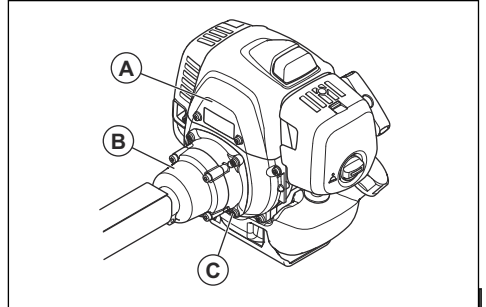
2. ركب الكم الواقى.



تحذير: اقرأ فصل السلامة قبل تجميع المنتج.

تركيب جسم المنتج

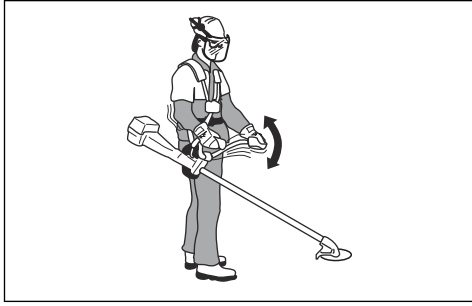
- وصل المحرك (A) بالأنبوب (B) باستخدام المسامير الأربعة (C).



2. عدّل المقبض حتى يكون المنتج في وضع مريح ومناسب للعمل.

تركيب المقود (541RST)

1. فكّ البرغي الموجود في قاعدة مقبض التحكم في السرعة.

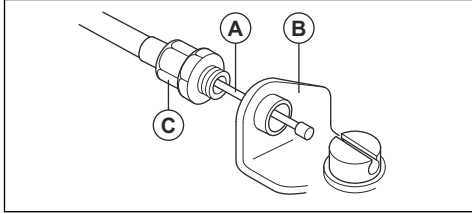


3. أحكم ربط البراغي تماماً.

تركيب كابل التحكم في السرعة وسلّي مفتاح الإيقاف

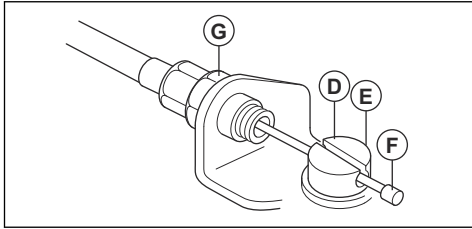
1. فكّ غطاء فلتر الهواء.

2. مرّر كابل التحكم في السرعة (A) عبر كتيفة الكاربراتير (B).



3. أحكم ربط جلبة ضبط الكابل (C) بكتيفة الكاربراتير.

4. ضع وصلة الفتحة (D) على الكاربراتير. وعندئذ ستكون الفتحة المجوفة (E) المخصصة لتثبيت تنوع الكابل (F) بعيدة عن جلبة ضبط الكابل (C).



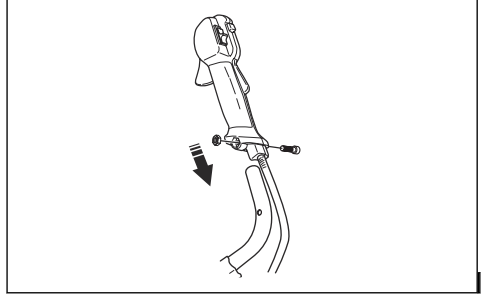
5. أدر كامة التحكم في السرعة الخاصة بالكاربراتير وأدخل كابل التحكم في السرعة (A) عبر فتحة الوصلة.

6. تأكد من استقرار تنوع الكابل (F) في الفتحة المجوفة.

7. اضغط على زناد السرعة بضع مرات للتأكد من أنه يعمل بشكل صحيح.

8. اضبط جلبة ضبط الكابل (C).

a) تأكد من أن مقبّد غلق كامة التحكم في السرعة الخاصة بالكاربراتير يلامس مقبّد غلق زناد التحكم في السرعة بشكل صحيح.

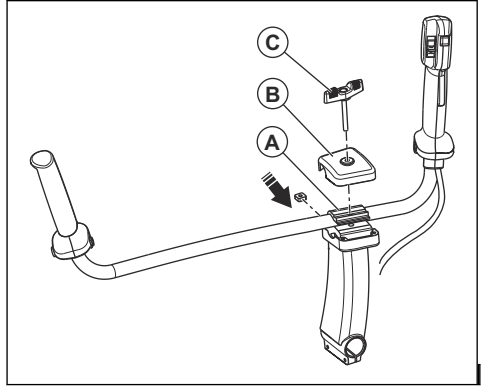


2. ركّب مقبض التحكم في السرعة في المقود الأيمن.

3. قم بمحاذاة الفتحة الموجودة في قاعدة مقبض التحكم في السرعة مع الفتحة الموجودة في المقود.

4. أدخل البرغي في الفتحتين. اربط البرغي.

5. ضع مجموعة المقود التي ركبناها والصامولة المربعة على الكتيفة. وتأكد من أن المقود في الوضع الصحيح.



6. ركّب قامطة تثبيت المقود (A) والغطاء (B) والمقبض الدوار (C).

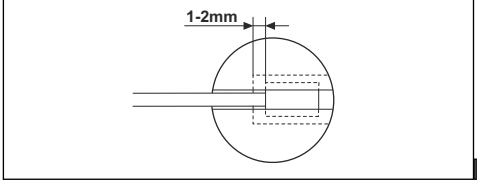
7. قم بمحاذاة الفتحات مع برغي المقبض الدوار.

8. أحكم ربط المقبض الدوار لتثبيت المقود جيداً.

تركيب الحمالة

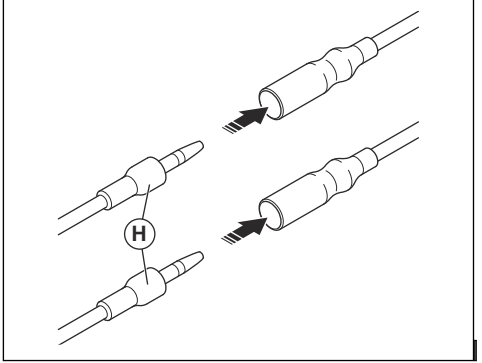
1. ارتدِ الحمالة وعلّق المنتج من نقطة التعليق.

(b) تأكد من وجود مسافة من 1 إلى 2 مم بين يتوء الكابل (F) ووصلة الفتحة عندما يكون زناد السرعة محررا بالكامل.

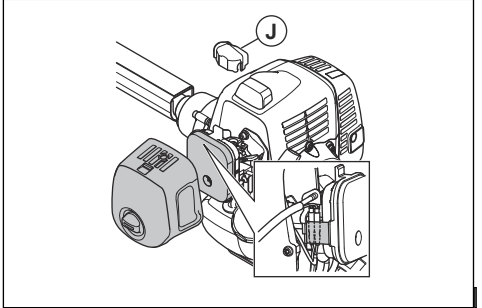


9. بعد ضبط كابل التحكم في السرعة (A) بشكل صحيح، أحكم ربط صامولة القفل (G).

10. وصل سلكي مفتاح الإيقاف (H) بالموصلين القادمين من المحرك.



11. ركب غطاء الفيار (J).



12. ركب غطاء فلتر الهواء.

تركيب الشفرات ورؤوس التشذيب

تحذير: لا تستخدم إلا الواقي المعتمد للشفرات. اطلع على الملاحظات في الصفحة 206. يمكن أن يتسبب الواقي التالف في حدوث إصابات.



تحذير: إذا كنت تستخدم المنتج مع شفرة تشذيب العشب، فركب أولاً ما يناسبها من حيث المقود وواقي الشفرة والحماله.

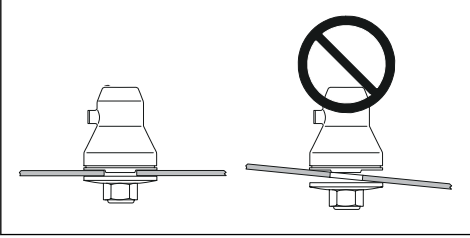


تحذير: إذا لم تتركب الشفرات بشكل صحيح، فيمكن أن تتسبب في حدوث إصابة.



1. تأكد من تعشيق الجزء المرفوع في قرص التدوير/الشفة الداعمة بشكل صحيح في الفتحة المركزية للشفرات.

2. ركب الشفرات.

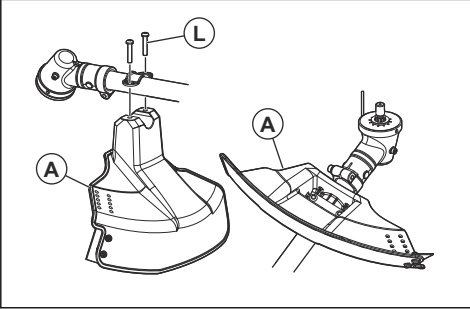


تركيب واقي الشفرة وشفرة تشذيب العشب

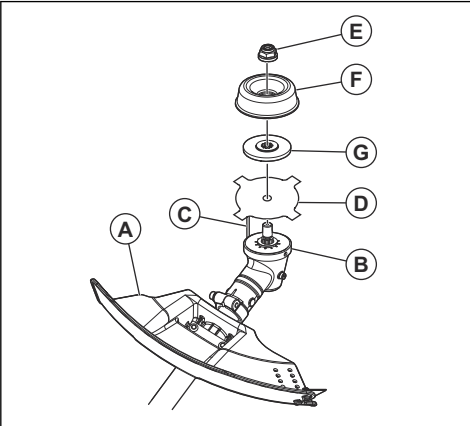
تنبيه: لا تستخدم إلا الواقي المعتمد للشفرات. راجع الملاحظات في الصفحة 206.



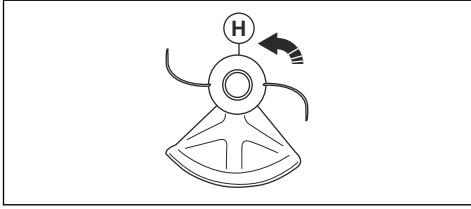
1. ركب واقي الشفرة/واقي ملحق القطع (A) على العمود وأحكم تشبيته باستخدام المسامير (L).



2. ركب قرص التدوير (B) في عمود الخرج.



5. أدر رأس التشذيب (H) عكس اتجاه عقارب الساعة.

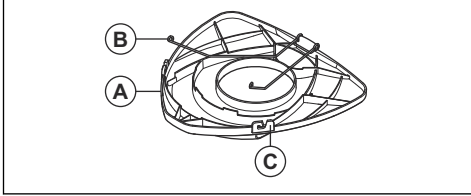


6. وللتفكيك، نفذ الخطوات بترتيب عكسي.

لتركيب واطي النقل

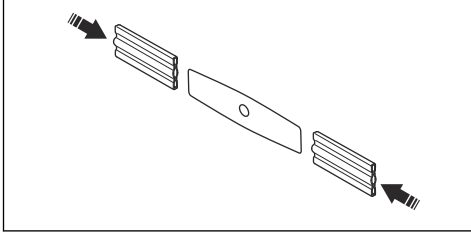
1. ركب الشفرة في واطي النقل (A).

2. أدخل أداتي التثبيت (B) في الفتحات (C) لتثبيت واطي النقل.



لتركيب الشفرة ذات الحدين في الواقي

1. ثبت الشفرة في واطي النقل.



لضبط الحمالة

تحذير: يجب دائماً تثبيت المنتج في الحمالة بشكل صحيح. لا تستخدم أي حمالة تالفة.



1. ارتد الحمالة.
2. ثبت المنتج في الحمالة.
3. اضبط الحمالة حتى تصل إلى أفضل وضعية للعمل.

3. أدر عمود الخرج حتى تصبح إحدى الفتحات الموجودة في قرص التدوير في محاذاة مع الفتحة المقابلة لها في مبيت التروس.

4. ضع مسمار التثبيت أو المفتاح السداسي (C) في الفتحة لتثبيت العمود.

5. ضع الشفرة (D)، والشفة الداعمة (G) والجلبة الداعمة (F) على عمود الخرج.

6. ركب الصامولة (E)، ثبت عمود مفتاح الربط بجانب واطي الشفرة. ولإحكام ربط الصامولة، يجب عليك تدوير مفتاح الربط عكس اتجاه دوران العمود. أحكم ربط الصامولة بعزم دوران يتراوح بين 35 و50 نيوتن متر/3.5 و5 كيلوبوند متر.

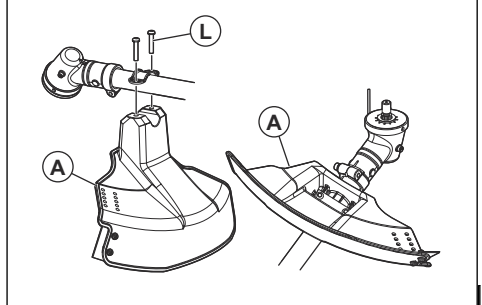
ملاحظة: اتجاه التدوير يجب أن يكون عكس عقارب الساعة.

لربط واطي التشذيب ورأس التشذيب

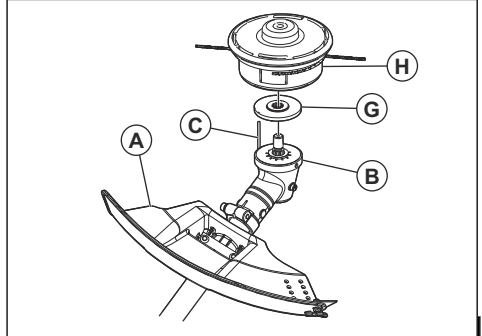
تحذير: استخدم واطي التشذيب المناسب لرأس التشذيب المختار.



1. ثبت واطي التشذيب (A) في العمود باستخدام المسامير (L).



2. ثبت قرص التدوير (B) والشفة الداعمة (G) في عمود الخرج.



3. أدر عمود الخرج حتى تصبح الفتحة الموجودة في قرص التدوير في محاذاة مع الفتحة المقابلة لها في مبيت التروس.

4. ضع مسمار التثبيت أو المفتاح السداسي (C) في الفتحة لتثبيت العمود.

4. اضبط الأحزمة الجانبية حتى يتم توزيع وزن المنتج بالتساوي على كتفيك.



5. اضبط الحمالّة حتى يصبح ملحق القّطع موازياً للأرض.

6. دع ملحق القّطع يلامس الأرض قليلاً. اضبط قامطة الحمالّة حتى تضمن توازن المنتج بشكل صحيح.

ملاحظة: إذا كنت تستخدم شفرة تشذيب العشب، فيجب أن تكون متوازنة على ارتفاع نحو 10 سم/4 بوصات فوق سطح الأرض.

التشغيل

- يمكن أن يؤدي استخدام زيت منخفض الجودة أو نسبة عالية من الزيت/الوقود إلى تقليل عمر المحولات التحفيزية. استشر الوكيل عند اختبار الزيت.
- إذا كان زيت المحرك Husqvarna ثنائي الدورة غير متوفر، فيمكنك استخدام زيت محرك ثنائي الدورة آخر من نوع جيد مخصص للمحركات المبردة بالهواء. تواصل مع الوكيل عند اختبار الزيت.
- لا تستخدم زيت محرك ثنائي الدورة لمحركات الزوارق المبردة بالماء. حيث يطلق على زيت المحرك ثنائي الدورة أحياناً اسم زيت محركات الزوارق.

تحذير: اقرأ فصل السلامة وافهمه جيداً قبل تشغيل المنتج.

الوقود

لاستخدام الوقود

تنبيه: هذا المنتج مزوّد بمحرك ثنائي الدورة. استخدم خليطاً من البنزين وزيت المحرك ثنائي الدورة. تأكد من استخدام الكمية المناسبة من الزيت في الخليط. يمكن أن يؤدي عدم استخدام النسبة الصحيحة من البنزين والزيت إلى إتلاف المحرك.

البنزين

تنبيه: لا تستخدم البنزين الذي يحمل رقم أوكتان أقل من 90 RON (AKI 87). قد يؤدي ذلك إلى تلف المنتج.

تنبيه: لا تستخدم البنزين الذي يكون تركيز الإيثانول فيه أكثر من 10% (E10). قد يتسبب ذلك في تلف المنتج.

تنبيه: لا تستخدم البنزين الذي يحتوي على الرصاص. قد يتسبب ذلك في تلف المنتج.

- استخدم دائماً بنزيناً جديداً خالياً من الرصاص برقم أوكتان لا يقل عن 90 RON (AKI 87) وتركيز إيثانول أقل من 10% (E10).
- استخدم البنزين الذي له رقم أوكتان أعلى إذا كنت تستخدم المنتج بشكل متكرر عند سرعة عالية باستمرار.
- استخدم دائماً مزيجاً عالي الجودة من الزيت/البنزين الخالي من الرصاص.

زيت المحرك ثنائي الدورة

- استخدم فقط زيت محرك ثنائي الدورة عالي الجودة، ويفضّل زيت محرك HUSQVARNA ثنائي الدورة. استخدم فقط زيتاً مخصصاً للمحركات المبردة بالهواء.
- نسبة الخليط: 50:1 (%2).

البنزين، بالتر	الزيت، لتر
	2% (50:1)
5	0.1
10	0.2
15	0.3
20	0.4

لتحضير خليط الوقود

ملاحظة: استخدم دائماً حاوية وقود نظيفة عند خلط الوقود.

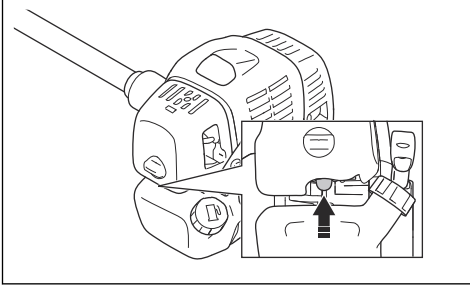
ملاحظة: لا تحضّر كمية من خليط الوقود تكفي لأكثر من 30 يوماً.

1. أضف نصف كمية البنزين.
2. أضف كمية الزيت الكاملة.
3. رُجّ خليط الوقود لخلط المكونات.
4. أضف كمية البنزين المتبقية.
5. رُجّ خليط الوقود لخلط المكونات.
6. املا خزان الوقود.

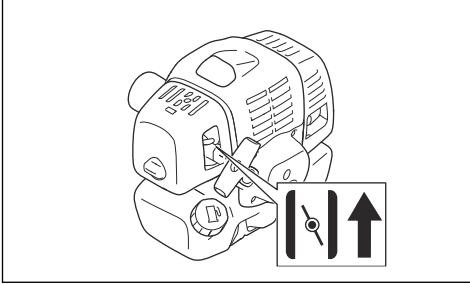
لإضافة الوقود

تحذير: لا تدخّن ولا تضع أشياء ساخنة بالقرب من الوقود. قبل إضافة الوقود، أوقف تشغيل المحرك واتركه يبرد بضع دقائق.

2. اضغط على بصلة طرد الهواء حتى تمتلئ البصلة بالوقود.



3. حرّك مفتاح التحكم في الخانق إلى وضع الخانق.



4. ضع المنتج على الأرض. اسحب شريط باءى التشغيل ببطء بيدك اليمنى حتى تشعر ببعض المقاومة.



ملاحظة: لا تلف حبل باءى التشغيل حول يدك.

تنبيه: لا تسحب حبل باءى التشغيل بالكامل. أمسك مقبض شريط باءى التشغيل عندما يكون ممتدًا بالكامل. قد يتسبب عدم الامتثال لهذه التعليمات في إتلاف المحرك.



5. اسحب شريط باءى التشغيل بسرعة ويقوة حتى تسمع صوت تشغيل المحرك.

6. اضبط مفتاح التحكم في الخانق على وضع التشغيل.

تحذير: لا تلمس الغطاء. فقد يسبب لمس الغطاء حروقًا في الجلد أو صعقة كهربائية في حال كان غطاء شمعة الإشعال تالفًا. لا تستخدم المنتج إذا كان غطاء شمعة الإشعال تالفًا.



لتشغيل المحرك وهو دافئ

تحذير: عند إضافة الوقود، افتح غطاء خزان الوقود ببطء لطرد الضغط الزائد.



تحذير: بعد إضافة الوقود، أغلق غطاء خزان الوقود بإحكام. انقل الآلة بعيدًا عن منطقة التزويد بالوقود وأي مصدر طاقة قبل تشغيل المحرك.



- استخدم دائمًا حاوية وقود مزودة بصمام مانع للانسكاب.
- تأكد من أن المنطقة المحيطة بغطاء خزان الوقود نظيفة. حيث يمكن أن تسبب الشوائب في الخزان مشكلات في التشغيل.
- رُح حاوية الوقود قبل إضافة خليط الوقود إلى خزان الوقود.

للتشغيل والإيقاف

للفحص قبل التشغيل

1. افحص المنتج للتأكد من عدم وجود أي أجزاء مفقودة أو تالفة أو مفكوكة أو متراكمة.
2. افحص الصواميل والبراغي والمسامير.
3. افحص الشفرات.
4. افحص صامولة القفل. تأكد من أن صامولة القفل مبربوطة بعزم دوران كافٍ لا يقل عن 1,5 نيوتن متر (1,1 رطل/قدم). أحكم ربط صامولة القفل بعزم دوران يتراوح بين 35 و50 نيوتن متر (26 و36 رطل/قدمًا).
5. افحص فلتر الهواء.
6. افحص قفل زناد السرعة ومفتاح التحكم في السرعة.
7. افحص مفتاح الإيقاف.
8. افحص المنتج للتأكد من عدم وجود أي تسرب للوقود.

لتشغيل المحرك وهو بارد

تحذير: قبل تشغيل المنتج، ركب غطاء القابض والعمود بشكل محكم. حيث يمكن أن يؤدي عدم إحكام تركيب غطاء القابض إلى إصابات. ارتد قفازين.



تحذير: أبعد المنتج عن منطقة التزويد بالوقود ومصدر الوقود. ضعه على سطح مستو. تأكد من عدم وجود أي أجسام تلامس ملحق القطع.



تحذير: تأكد من عدم وجود أي أشخاص غير مصرح لهم في منطقة العمل. وإلا، فقد يسبب ذلك خطر التعرض لإصابة خطيرة. يلزم وجود مسافة أمانة قدرها 15 مترًا.



1. اضبط مفتاح الإيقاف في وضع التشغيل.

تشغيل آلة تشذيب العشب

تنبيه: تأكد من إعادة المحرك إلى سرعة التباطؤ بعد كل استخدام. يمكن أن يؤدي ترك المحرك يعمل بسرعة قصوى فترة طويلة من دون أي تحميل عليه إلى إتلافه.



ملاحظة: نظّف غطاء رأس التشذيب عند تركيب خيط تشذيب جديد لمنع الاهتزازات. افحص الأجزاء الأخرى في رأس التشذيب ونظفها إذا لزم الأمر.

إرشادات عامة للعمل

تحذير: كن حذراً عند قص شجرة مائلة أو ملتوية. فقد ترتد إلى وضعها الطبيعي قبل القطع أو بعده وتصطدم بك أو بالمنتج وتسبب إصابة.



- قم بإخلاء مساحة مفتوحة في أحد أطراف منطقة العمل وإبدأ العمل من عندها.
- تحرك بنمط منتظم في منطقة العمل.



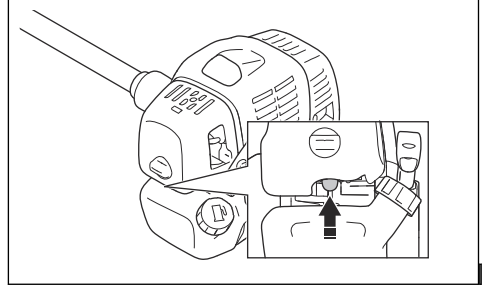
- حرّك المنتج إلى اليسار واليمين إلى أقصى مدى يمكن أن يصل إليه لتغطية مساحة عرضها 4 إلى 5 أمتار (13 إلى 16 قدماً) في كل دورة.
- قم بتشذيب مساحة بطول 75 متراً (250 قدماً) قبل أن تستدير وتعود إلى الجهة المعاكسة. احمل صحيفة الوقود معك وأنت تعمل.
- تحرك في اتجاه يجتنب الخنادق والعوائق بحيث لا تمر عبرها إلا عند الضرورة.
- تحرك في اتجاه يجعل الرياح تهب على العشب المقطوع لتسهيل جمعه في المنطفة التي تم إخلؤها.



- تحرك على طول المنحدرات وليس صعوداً ونزولاً.

1. اضغط مفتاح الإيقاف في وضع التشغيل.

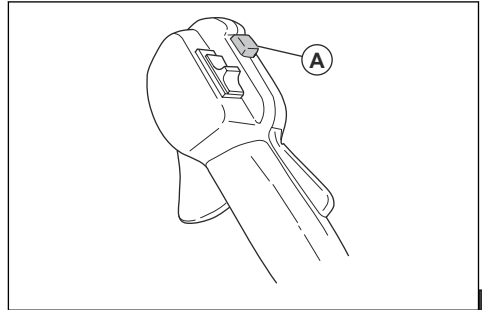
2. اضغط على بصلة طرد الهواء حتى تمتلئ البصلة بالوقود.



3. اضغط مفتاح التحكم في الخانق على وضع التشغيل، ثم اسحب شريط بادئ التشغيل حتى يبدأ تشغيل المحرك.

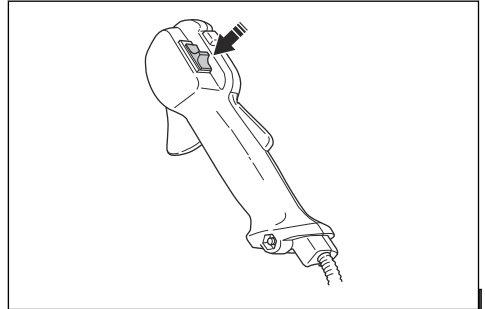
للتشغيل باستخدام مقبض زناد السرعة مع قفل زر زناد سرعة التشغيل

1. اضغط على قفل زناد السرعة وزناد السرعة لضبط الزناد على وضع التشغيل. ثم اضغط على زر زناد سرعة التشغيل (A).
2. حرّك قفل زناد السرعة وزناد السرعة، ثم اضغط على زر زناد سرعة التشغيل. حينئذٍ، يتم تفعيل وظيفة زناد السرعة.
3. لإعادة المحرك إلى سرعة التباطؤ، اضغط على قفل زناد السرعة وزناد السرعة مرة أخرى.



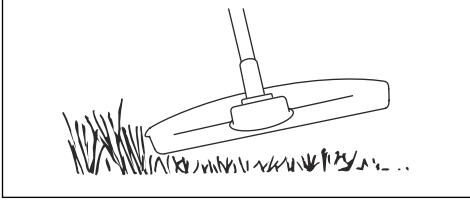
لإيقاف تشغيل المحرك

1. حرّك زناد السرعة إلى وضع التباطؤ.
2. حرّك مفتاح الإيقاف إلى وضع الإيقاف.

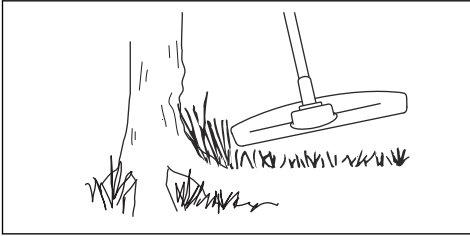


لتشذيب العشب

1. أمسك رأس التشذيب بزواية مائلة فوق الأرض مباشرة. لا تدفع خيط التشذيب نحو العشب.

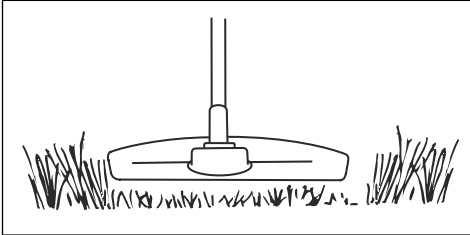


2. تأكد من تقصير طول خيط التشذيب بمقدار 10 إلى 12 سم/4 إلى 4.75 بوصة.
3. قلّل سرعة المحرك لتقليل خطر تضرر النباتات.
4. اعتمد سرعة 80% عند قص العشب بالقرب من الأجسام الأخرى.

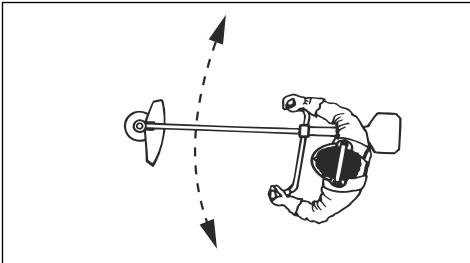


لقص العشب

1. تأكد من أن خيط التشذيب موازي الأرض عند القص.

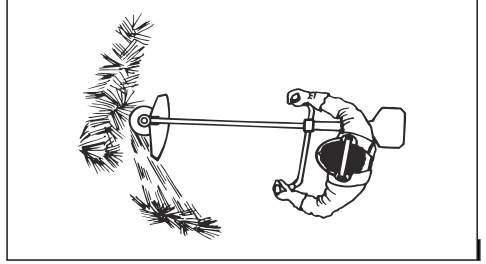


2. لا تدفع رأس التشذيب نحو الأرض. فقد تضرر الأرض أو تلتف المنتج نتيجة لذلك.
3. لا تدع رأس التشذيب يلمس الأرض باستمرار، فقد يلتف.
4. اعتمد السرعة القصوى عند تحريك المنتج من جانب إلى آخر لقص العشب.



لقص العشب باستخدام شفرة تشذيب العشب

1. أبق قدميك متباعدتين في أثناء تشغيل المنتج. تأكد من ثبات قدميك على الأرض.
2. ضع الجلبة الداعمة بحيث تلامس الأرض قليلاً. فذلك يمنع الشفرة من لمس الأرض.
3. حرّك الآلة حركة جانبية من اليمين إلى اليسار لتنفيذ شوط متناسق. استخدم الجانب الأيسر من الشفرة (بين الساعة 8 والساعة 12) للقص.



4. أمل الشفرة إلى اليسار عند قص العشب.

ملاحظة: يتجمّع العشب بسهولة في خط مستقيم.

5. حرّك الآلة حركة جانبية من اليسار إلى اليمين في شوط الرجوع.
6. نفذ العمل بحركة منتظمة.
7. تحرّك إلى الأمام مع الحفاظ على ثبات قدميك على الأرض.
8. أوقف المحرك.
9. أخرج المنتج من المشبك الموجود على الحمالة.
10. ضع المنتج على الأرض.
11. اجمع المواد المقصوصة.

للحفاظ على نظافة المنطقة



اتبع الخطوات الآتية لتحقيق أفضل النتائج:

- أمسك آلة التشذيب بحيث يكون رأس التشذيب فوق الأرض مباشرة.
- قم بإمالة رأس التشذيب بزواية صغيرة.
- دع طرف خيط التشذيب يلامس الأرض حول الأجسام الموجودة.

إزالة العشب

يمكن استخدام تيار الهواء الناتج عن دوران خيط التشذيب لإزالة العشب المقصود من المنطقة.

1. احمّل رأس التشذيب وخيط التشذيب في خط مستقيم موازي الأرض ومرتفعاً عنها.
2. استخدم السرعة الكاملة.
3. حرّك رأس التشذيب من جانب إلى آخر لإزالة العشب.

تحذير: نظّف غطاء رأس التشذيب في كل مرة تركّب فيها خيط تشذيب جديداً لمنع اختلال التوازن والاهتزازات في المقابض. وافحص كذلك الأجزاء الأخرى في رأس التشذيب ونظفه إذا لزم الأمر.



لاستبدال خيط التشذيب

راجع آخر صفحة من دليل المشغل.

الصيانة

تحذير: اقرأ فصل السلامة وافهمه جيداً قبل تنظيف المنتج أو إصلاحه أو إجراء أي صيانة عليه.



جدول الصيانة

الصيانة	يوميًا	أسبوعيًا	شهريًا
نظّف السطح الخارجي.	X		
افحص الحمالة للتأكد من عدم وجود أي تلف.	X		
افحص زناد السرعة وقفل زناد السرعة.	X		
تأكد من عدم دوران ملحق القطع بسرعة التباطؤ.	X		
افحص مفتاح إيقاف التشغيل. راجع لفحص مفتاح إيقاف التشغيل في الصفحة 189.	X		
افحص واقي ملحق القطع للتأكد من عدم وجود أي تلف أو تشققات.	X		
تأكد من محاذاة شفرة تشذيب العشب مع المركز. تأكد من أن شفرة تشذيب العشب حادة وأن الشفرة أو الفتحة المركزية غير التفتين.	X		
افحص رأس التشذيب للتأكد من عدم وجود أي تلف أو تشققات. استبدالها إذا كانت تالفة.	X		
افحص المقبض والمقود للتأكد من عدم وجود أي تلف وتأكد من تركيبهما بشكل صحيح.	X		
بالنسبة إلى ملحقات القطع التي تحتوي على جلبة داعمة، أحكم ربط برغي التثبيت بشكل صحيح.	X		
بالنسبة إلى ملحقات القطع التي تحتوي على صامولة قفل، أحكم ربط صامولة القفل بشكل صحيح.	X		
افحص واقي النقل للتأكد من عدم وجود أي تلف وتأكد من تركيبه بشكل صحيح.	X		
افحص المحرك وخزان الوقود وخطوط الوقود بحثًا عن تسريبات.	X		
نظّف فلتر الهواء. واستبدالها إذا لزم الأمر.	X		
أحكم تثبيت الصواميل والبراغي.	X		
افحص فلتر الوقود للتأكد من خلوه من التلوث وافحص خرطوم الوقود للتأكد من عدم وجود أي تشققات أو تلف آخر. واستبدالها إذا لزم الأمر.	X		
افحص كل الكابلات والوصلات.	X		
افحص بادئ التشغيل وحبل بادئ التشغيل بحثًا عن أضرار.	X		
افحص شمعة الإشعال. راجع لفحص شمعة الإشعال في الصفحة 203.	X		
تأكد من امتلاء ¼ الترس المخروطي بالشحم.	X		
نظّف السطح الخارجي للكاربوترير والمنطقة المحيطة به.	X		

شهرًا	أسبوعيًا	يوميًا	الصيانة
	X		نظّف شمعة الإشعال. أزل شمعة الإشعال وتحقق من فجوة القطبين. اضبط فجوة القطبين أو استبدل شمعة الإشعال إذا لزم الأمر. راجع البيانات الفنية في الصفحة 204. تأكد من أن شمعة الإشعال مُركّبة مع كايح.
X			افحص القابض وزنبركات القابض وأسطوانة القابض للتأكد من عدم وجود أي تآكل. واستبدالها إذا لزم الأمر.
X			استبدل شمعة الإشعال. تأكد من أن شمعة الإشعال مُركّبة مع كايح.
X			قم بتشحيم عمود التشغيل.
	X		تأكد من أن وحدات تخميد الاهتزاز غير تالفة.
	X		نظّف نظام التبريد في المنتج.
X			نظّف كاتم الصوت.

ضبط الكاربيراير

يتم ضبط إعدادات الكاربيراير الأساسية خلال الفحص في المصنع. ويجب أن يقوم بالضبط فني مدرب.

لفحص كاتم الصوت

تحذير: لا تستخدم منتجًا فيه كاتم صوت تالف. استبدل دائمًا كاتم الصوت التالف.



تحذير: يوجد خطر التعرض لحروق أو نشوب حريق. تصبح كاتمات الصوت التي تحتوي على محولات تحفيزية شديدة السخونة خلال التشغيل.



تحذير: خطر نشوب حريق. يقلل كاتم الصوت مستوى الضوضاء ويوجّه غازات العادم بعيدًا عن المشغل. تكون غازات العادم ساخنة وقد تحتوي على شرر.



تنبيه: يجب استبدال شبكة مانع الشرر إذا كانت تالفة. لا تستخدم المنتج إذا لم يكن الحاجز الشبكي لمانع الإشعال موجودًا على كاتم الصوت أو إذا كان تالفًا.



تنبيه: إذا كانت شبكة مانع الشرر مسدودة، فسترتفع حرارة المنتج جدًا؛ ما يؤدي إلى إتلاف الأسطوانة والمكبس.



1. تأكد من عدم وجود تلف في كاتم الصوت.

2. تأكد من توصيل كاتم الصوت بشكل صحيح بالمنتج.

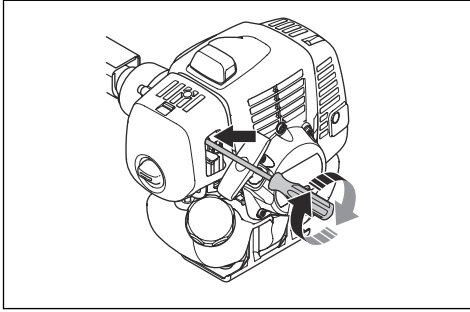
ضبط سرعة التباطؤ

صُنِعَ منتج Husqvarna وفق المواصفات التي تقلل الانبعاثات الضارة.

1. تأكد من نظافة فلتر الهواء وتركيب غطاء فلتر الهواء قبل ضبط سرعة التباطؤ.

2. اضبط سرعة التباطؤ باستخدام برغي سرعة التباطؤ الذي يأتي على شكل حرف "T" والرمز بعلامة "T".

(a) أدر برغي سرعة التباطؤ "T" في اتجاه عقارب الساعة حتى يبدأ دوران ملحق القطع.



(b) أدر برغي سرعة التباطؤ "T" عكس اتجاه عقارب الساعة حتى يتوقف ملحق القطع ونقل الضوضاء الصادرة عن القابض.

تحذير: إذا لم يتوقف ملحق القطع عند ضبط سرعة التباطؤ، فتواصل مع وكيل الخدمة. لا تستخدم المنتج حتى يتم ضبطه بشكل صحيح أو إصلاحه.

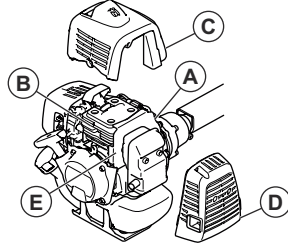


3. تكون سرعة التباطؤ مناسبة عندما يعمل المحرك ببساطة في جميع الأوضاع. ويجب أن تكون سرعة التباطؤ أقل من السرعة التي يبدأ عندها ملحق القطع في الدوران.

ملاحظة: راجع البيانات الفنية في الصفحة 204 لمعرفة سرعة التباطؤ الموصى بها.

نظام التبريد

يحتوي المنتج على نظام تبريد لإبقاء درجة حرارة التشغيل منخفضة.
يحتوي نظام التبريد على المكونات الآتية:



- ريش تبريد على عجلة الموازنة (A)
- ريش تبريد على الأسطوانة (B)
- غطاء الأسطوانة (C) (بوجه الهواء البارد فوق الأسطوانة)
- غطاء كاتم الصوت (D)
- لوحة كاتم الصوت (E)

لتنظيف نظام التبريد

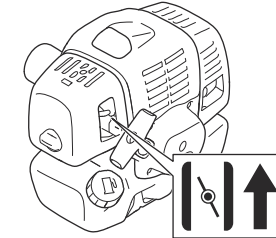
تحذير: يتسبب نظام التبريد المتسخ أو المسدود في الارتفاع الشديد في درجة حرارة المنتج. ويمكن أن يتسبب هذا في إتلاف المكبس والأسطوانة.



1. نظّف أجزاء نظام التبريد بفرشاة مرة واحدة على الأقل في الأسبوع.

فلتر الهواء

- نظّف الفلتر كل 25 ساعة. ونظّفه بوتييرة أكثر تكراراً إذا لزم الأمر.
- ضع مفتاح الخانق في وضع الخانق.



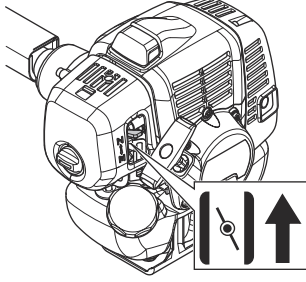
لتنظيف فلتر الهواء

تنبيه: استبدل دائماً فلتر الهواء التالف أو المتسخ جداً أو المشرب بالوقود.

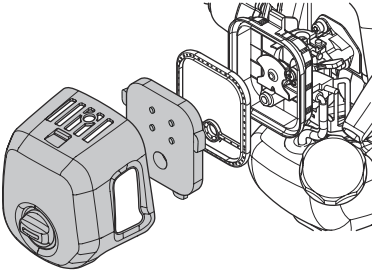


إذا كنت تستخدم فلتر هواء لمدة طويلة، فلا يمكن تنظيفه بالكامل.
استبدل فلتر الهواء بأخر جديد على فترات منتظمة.

1. أغلق صمام الخانق.



2. فكّ غطاء فلتر الهواء.



3. أزل فلتر الهواء.

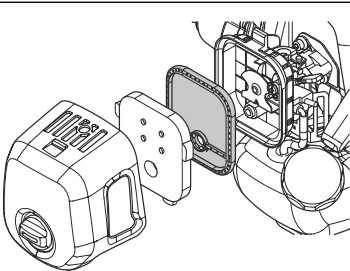
4. نظّف فلتر الهواء بالماء الدافئ والصابون.
5. استبدل فلتر الهواء إذا كان متسخاً جداً بحيث يتعدّر تنظيفه بالكامل. استبدل دائماً فلتر الهواء التالف.
6. نظّف السطح الداخلي لغطاء فلتر الهواء. استخدم الهواء أو فرشاة.
7. تأكد من جفاف فلتر الهواء قبل تركيبه.

الفلتر اللبدي

- اضرب بالفلتر اللبدي برفق على يدك أو استخدم الهواء المضغوط لتنظيفه.

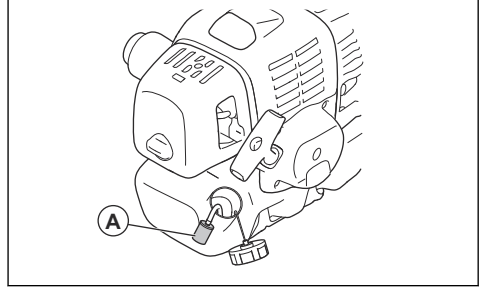


تنبيه: تجنب استخدام الماء لتنظيف الفلتر اللبدي. قد يؤدي الماء إلى إتلاف الفلتر اللبدي.

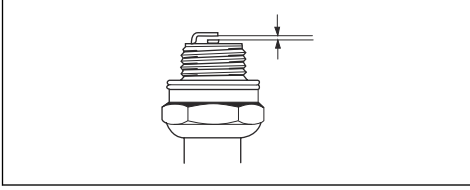


فلتر الوقود

عندما تنقص كمية الوقود في المحرك، تأكد من عدم انسداد غطاء خزان الوقود وفلتر الوقود (A).



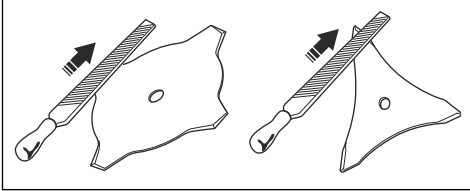
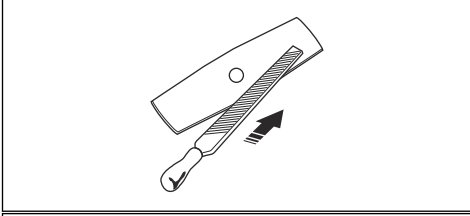
- لتقليل خطر المواد غير المرغوب فيها على الكترودات شمعة الإشعال، اتبع هذه الإرشادات:
 (a) تأكد من ضبط سرعة التباطؤ بشكل صحيح.
 (b) تأكد من أن مزيج الوقود صحيح.
 (c) تأكد من أن فلتر الهواء نظيف.
- إذا كانت شمعة الإشعال منسخة، فنظفها وتأكد من أن فرجة الكترود صحيحة، راجع البيانات الفنية في الصفحة 204.



- استبدل شمعة الإشعال إذا لزم الأمر.

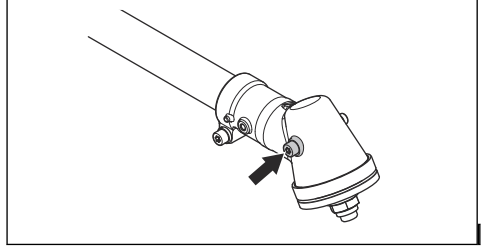
لشذ أدوات قص العشب وشفرات تشذيب العشب

- اشذ كل حواف أدوات قص العشب والشفرات بالتساوي للحفاظ على التوازن. استخدم مبرداً مسطحاً مفرد القطعية.



لإضافة الشحم إلى الترس المخروطي

- تأكد من امتلاء ¼ الترس المخروطي بشحم الترس المخروطي.



لفحص شمعة الإشعال

تنبيه: استخدم دائماً النوع الموصى به من شمعة الإشعال. حيث يمكن أن يؤدي النوع غير المناسب من شمعة الإشعال إلى تلف المنتج.



- افحص شمعة الإشعال إذا كانت قوة المحرك منخفضة، أو إذا لم يكن من السهل بدء تشغيله أو لم يكن يعمل بشكل صحيح عند سرعة التباطؤ.

استكشاف الأخطاء وإصلاحها

استكشاف الأخطاء وإصلاحها

فشل التشغيل	يُرجى التحقق من	السبب المحتمل	الحل
زر الإيقاف	زر الإيقاف	وضع الإيقاف مفعل	اضبط مفتاح الإيقاف على وضع التشغيل.
سقاطات بادئ التشغيل	سقاطات مكبلة	السقاطات مكبلة	اضبط السقاطات أو استبدلها.
			نظّف حول السقاطات.
			تحدّث إلى وكيل صيانة معتمد.

فشل التشغيل		
يُرجى التحقق من	السبب المحتمل	الحل
خزان الوقود	نوع الوقود غير صحيح.	قم بتصريفه واستخدم الوقود الصحيح.
الكاربراتير	اضبط سرعة التباطؤ.	اضبط سرعة التباطؤ باستخدام البرغي "T".
شمعة الإشعال (ما من شرارة)	شمعة الإشعال منسّخة أو مبللة.	تأكد من أن شمعة الإشعال جافة ونظيفة.
	فجوة شمعة الإشعال غير مضبوطة بشكل صحيح.	نظّف شمعة الإشعال. تحقق من أن فجوة القطبين مضبوطة. تأكد من أن شمعة الإشعال مركّبة مع كابح. راجع البيانات الفنية لمعرفة كيفية ضبط فجوة القطبين بشكل صحيح.
شمعة الإشعال	شمعة الإشعال غير محكمة.	أحكام تثبيت شمعة الإشعال.
فلتر الوقود	انسداد فلتر الوقود.	استبدل فلتر الوقود.

يبدأ المحرك لكن لا يستمر في العمل		
يُرجى التحقق من	السبب المحتمل	الحل
خزان الوقود	نوع الوقود غير صحيح.	قم بتصريفه واستخدم الوقود الصحيح.
الكاربراتير	المحرك لا يعمل بسرعة التباطؤ بشكل صحيح.	تحدّث إلى وكيل الخدمة لديك.
فلتر الهواء	فلتر الهواء مسدود.	نظّف فلتر الهواء.
فلتر الوقود	انسداد فلتر الوقود.	استبدل فلتر الوقود.

النقل والتخزين

- حافظ على سلامة المعدات في أثناء النقل لتجنب التلف والحوادث.
- احتفظ بالمنتج والمعدات في منطقة جافة ومقاومة للصقيع.
- نظّف المنتج.
- استبدل المكونات التالفة أو أصلحها.
- استخدم غطاء الحماية المناسب على المنتج الذي لا يحتفظ بالرطوبة.
- ثبتّ المنتج بإحكام خلال النقل.

البيانات الفنية

البيانات الفنية

541RST	541RS	531RS	
			المحرك

541RST	541RS	531RS	
41.5	41.5	33.6	سعة الأسطوانة، سم ³
40	40	36	قطر الأسطوانة، مم
33	33	33	طول شوط الأسطوانة، مم
2500±200	2500±200	2500±200	سرعة التباطؤ، دقيقة ¹ - (دورة في الدقيقة)
12000	12000	12000	السرعة القصوى الموصى بها، دقيقة ¹ - (دورة في الدقيقة)
8570	8570	8570	سرعة عمود الخرج، دقيقة ¹ - (دورة في الدقيقة)
2.1 / 1.6 عند سرعة 7000	2.1 / 1.6 عند سرعة 7000	1.6 / 1.2 عند سرعة 7000	أقصى قوة خرج للمحرك، وفق معيار ISO 8893، كيلوواط في الدقيقة ¹ - (دورة في الدقيقة)
لا	لا	لا	كاتم صوت المحول التحفيزي
نظام الإشعال			
NGK BPMR7A	NGK BPMR7A	NGK BPMR7A	شمعة الإشعال
0.6-0.7	0.6-0.7	0.6-0.7	فرجة الإلكترود، مم
الوقود ونظام التشحيم			
0.94	0.94	0.74	سعة خزان الوقود، لتر
الوزن			
7.6	7.4	7.2	من دون ملحق القَطع وواقي ملحق القَطع والحَمالة ومع خزانات فارغة، كجم
انبعاثات الضوضاء²²			
105	105	104	مستوى طاقة الصوت، المقيس بالديسيبل (A)
109	109	109	مستوى طاقة الصوت المضمن بالديسيبل L _{WA} dB(A)
مستويات الصوت²³			
يتراوح مستوى ضغط الصوت المكافئ عند أذن المشغّل وفقاً لمعياري EN ISO 11806 و ISO 22868، وذلك بوحدة ديسيبل (A).			
94	94	90	المنتج مزوّد برأس التشذيب (الأصلي)
95	95	89	المنتج مزوّد بشفرة تشذيب العشب (الأصلية)
مستويات الاهتزاز²⁴			
مستويات الاهتزاز المكافئة (a _{HV,eq}) عند المقابض مقيسة وفق المعيارين EN ISO 11806 و ISO 22867 بوحدة م/ثانية ²			
5.6/5.1	3.1/2.8	2.8/3.0	المنتج مزوّد برأس التشذيب (الأصلية)، اليسار/اليمن
7.1/6.3	4.5/5.0	4.2/4.0	المنتج مزوّد بشفرة تشذيب العشب (الأصلية)، اليسار/اليمن

²² تم قياس انبعاثات الضوضاء في البيئة كطاقة الصوت (L_{WA}) وفقاً لتوجيه الاتحاد الأوروبي رقم 2000/14/EC. تم قياس مستوى طاقة الصوت الذي تم الإبلاغ عنه للماكينة باستخدام ملحق القَطع الأصلي الذي يوفر أعلى مستوى. الفرق بين طاقة الصوت المضمونة والمقاسة هو أن طاقة الصوت المضمونة تكون أعلى لأنها تشمل على تباين نتائج القياس والفرق بين الماكينات المختلفة من الطراز نفسه، وذلك وفق التوجيه 2000/14/EC.

²³ يوجد تباين إحصائي نموذجي (انحراف معياري) يبلغ 3 ديسيبل (A) في بيانات مستوى ضغط الصوت المكافئ المبلّغ عنها.
²⁴ يوجد تباين إحصائي نموذجي (انحراف معياري) يبلغ 1,5 م/ثانية² في بيانات مستوى الاهتزاز المبلّغ عنها.

الملحقات

الملحقات

واقي ملحق القَطْع (رقم القطعة)	نوع الملحق	الملحقات المعتمدة
584 40 42-01	ملحق 3-255 Multi (بقطر 255 مم ومزود بثلاث أسنان)	شفرة تشذيب العشب/آلة قص العشب
584 40 42-01	ملحق 4-275 Multi (بقطر 275 مم ومزود بأربع أسنان)	
584 40 42-01	ملحق 3-300 Multi (بقطر 300 مم ومزود بثلاث أسنان)	
584 40 42-01	ملحق 2-330 Multi (بقطر 330 مم ومزود بستين)	
584 40 42-01	ملحق Tricut بقطر 300 مم (رقم القطعة للشفرات المنفصلة هو 15-77 01 531)	شفرات بلاستيكية
584 40 42-01	ملحق T35X,T35 (بسلك بقطر 2,4 إلى 3,0 مم)	رأس التشذيب
584 40 42-01	ملحق S35 (بسلك بقطر 2,4 إلى 3,0 مم)	
584 40 42-01	ملحق T45X,T45 (بسلك بقطر 2,7 إلى 3,3 مم)	
584 40 42-01	ملحق T55x (بسلك بقطر 2,7 إلى 3,3 مم)	
584 40 42-01	ملحق S II	
-	ثابتة	حلية داعمة

بيان التوافق

بيان التوافق مع توجيهات الاتحاد الأوروبي (EC)

اسم الجهة المصدرة: Husqvarna AB، وعنوانها SE-561 82 Huskvarna, Sweden، ورقم هاتفها: +46-36-146500

مسؤوليتها التامة عن المنتج المشار إليه في هذا البيان: آلة تشذيب العشب وأو آلة قطع الحشائش التي تعمل بالبنزين، المنصة (المنصات) G34L وG43L التي تمثل الطراز (الطرز) Husqvarna 541RS و531RS و541RST بداية من الأرقام التسلسلية لعام 2024 وما يليه. تتم طباعة رقم المنصة ورقم الطراز بوضوح على لوحة النوع مع العام والأرقام المسلسلة اللاحقة.

يتوافق المنتج المشار إليه في هذا البيان مع متطلبات توجيهات مجلس الاتحاد الأوروبي المذكورة أدناه:

- بتاريخ 17 مايو 2006، بخصوص "الماكينات"، رقم 2006/42/EC.
 - بتاريخ 26 فبراير 2014، بخصوص "التوافق الكهرومغناطيسي"، رقم 2014/30/EU.
 - بتاريخ 8 مايو 2000 "بخصوص انبعاثات الضوضاء في البيئة"، رقم 2000/14/EC.
 - بتاريخ 8 يونيو 2011، بخصوص "تقييد استخدام بعض المواد الخطرة"، رقم 2011/65/EU.
- تم تطبيق إجراء تقييم التوافق وفق الملحق الخامس من التوجيه EC/2000/14.

للحصول على معلومات في ما يتعلق بانبعاثات الضوضاء، راجع البيانات الفنية في الصفحة 204.

تم تطبيق المواصفات الآتية:

EN ISO 11806-1:2022, EN ISO 14982:2009, EN ISO 12100:2010, EN IEC 63000:2018

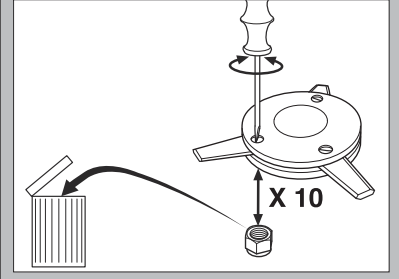
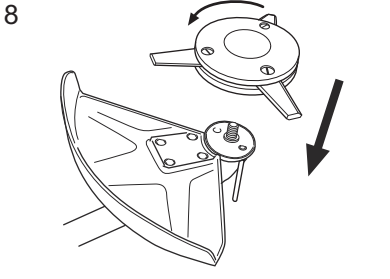
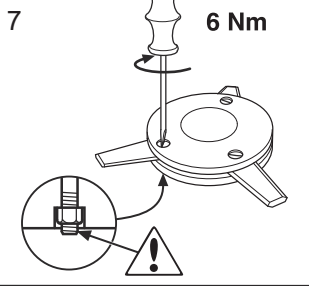
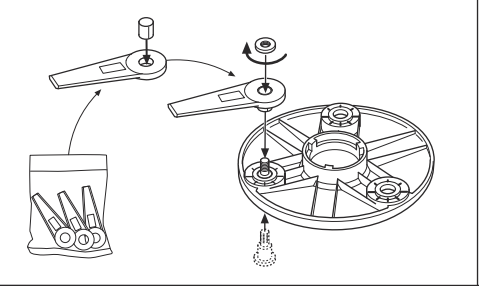
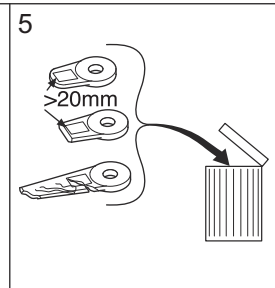
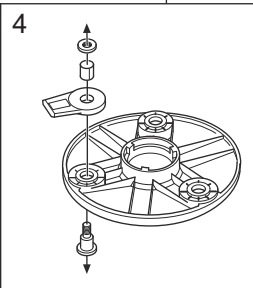
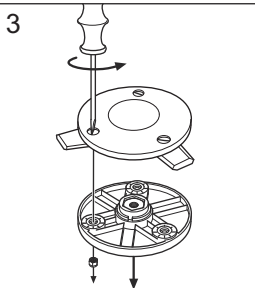
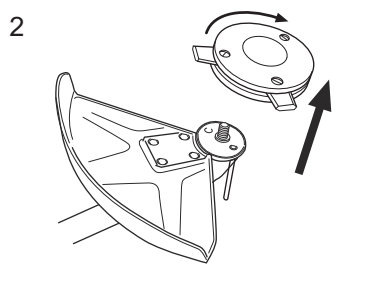
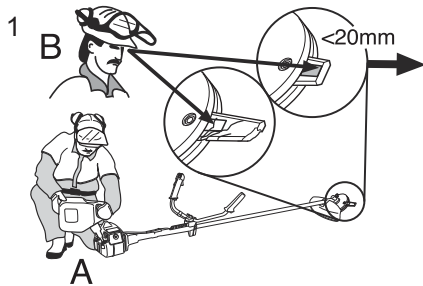
أجرت شركة TÜV Rheinland LGA Products GmbH في Tillystrasse 2, D-90431 Nuernberg, Germany والمسجلة بموجب الرقم 0197 فحصاً طوعياً بالنيابة عن Husqvarna AB؛ ما أدى إلى إصدار (AM 50609261 (541RS، وهي شهادة التوافق مع توجيه مجلس الاتحاد الأوروبي 2006/42/EC الخاص بالآلات. تنطبق هذه الشهادة على كل مواقع التصنيع وبلدان المنشأ المذكورة على المنتج. يتوافق آلة تشذيب العشب وأو آلة قطع الحشائش المتوفرة مع النموذج الذي خضع للفحص.

شركة Husqvarna AB، Huskvarna, Sweden، 2024-01-15.

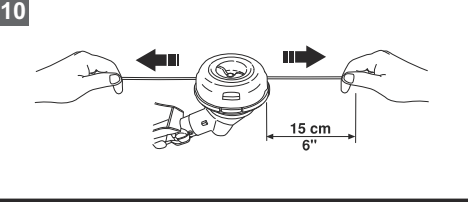
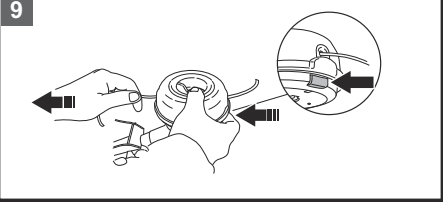
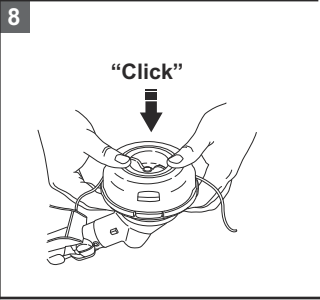
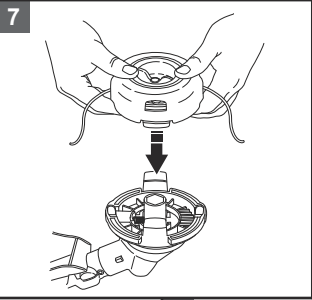
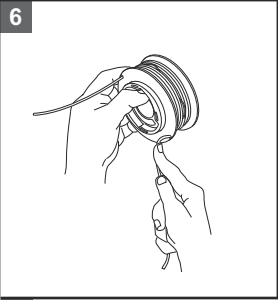
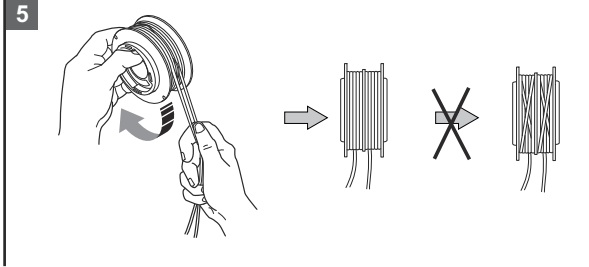
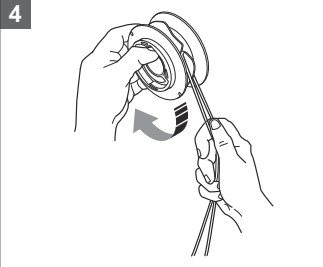
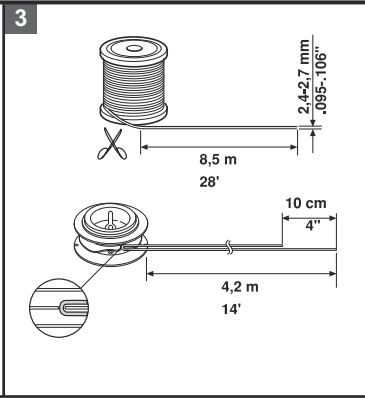
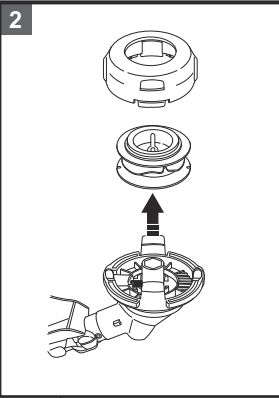
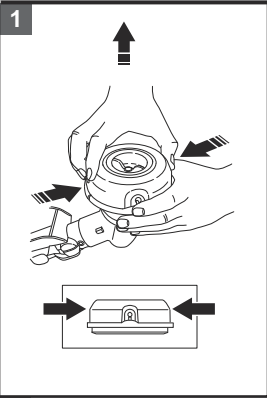
كلاوس لوسدال، مدير الأبحاث والتطوير، شركة Husqvarna AB
مسؤول المستندات الفنية



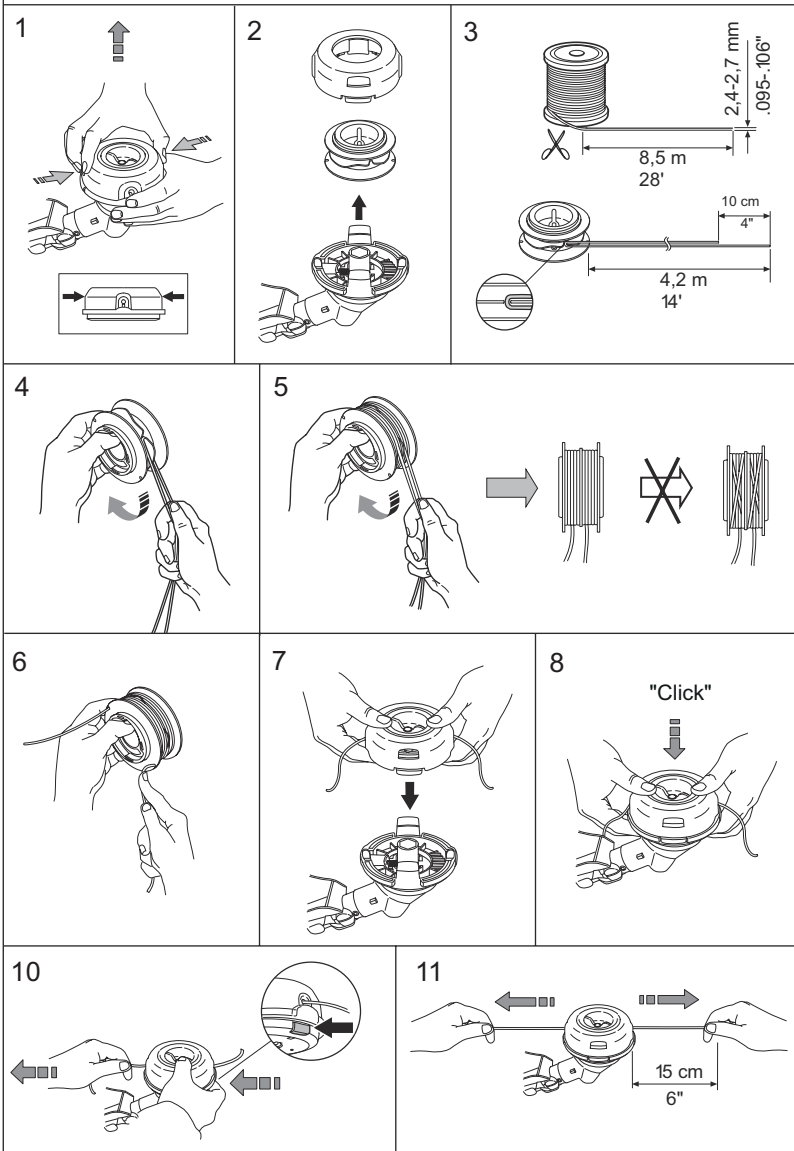
Tri Cut



S35



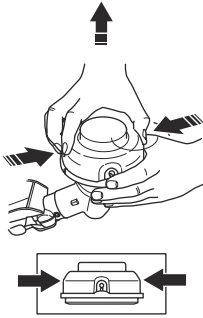
S35



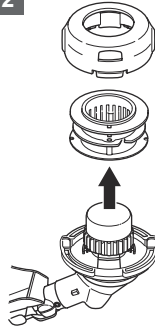
T35, T35x



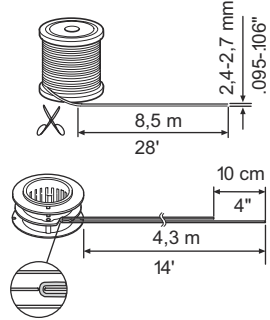
1



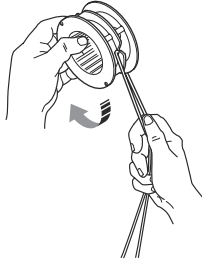
2



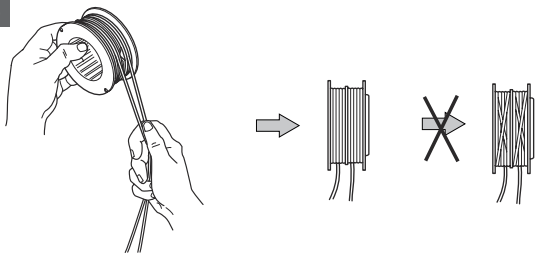
3



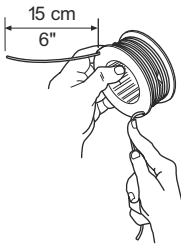
4



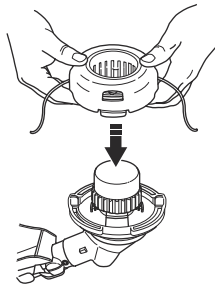
5



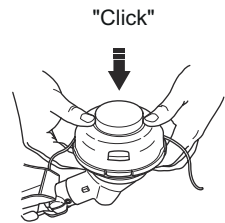
6



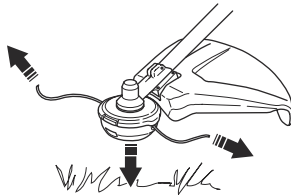
7



8



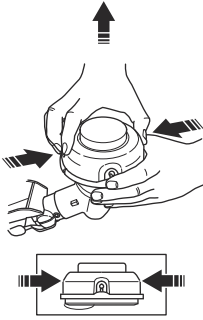
9



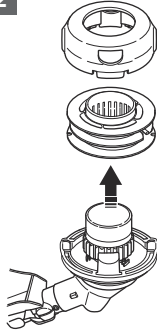
T45, T45x



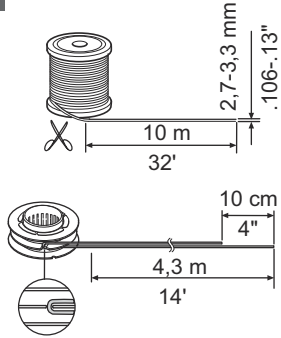
1



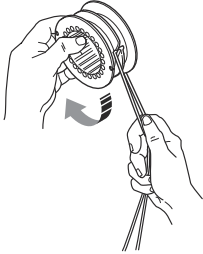
2



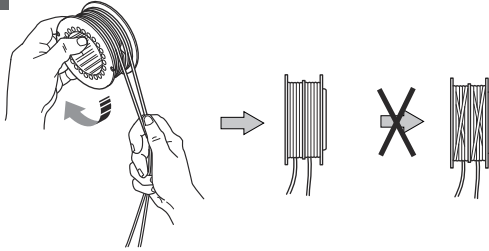
3



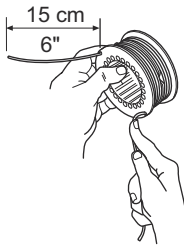
4



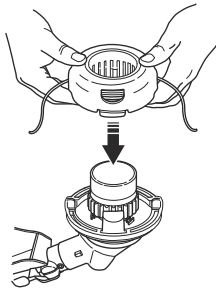
5



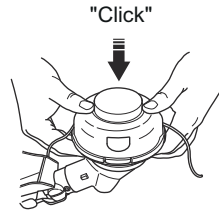
6



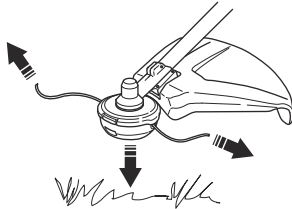
7



8



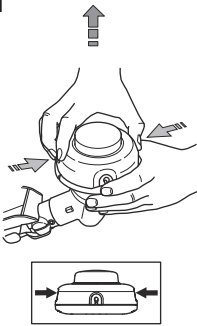
9



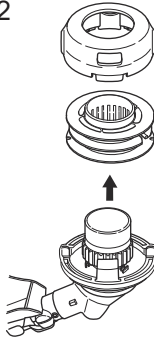
T55x



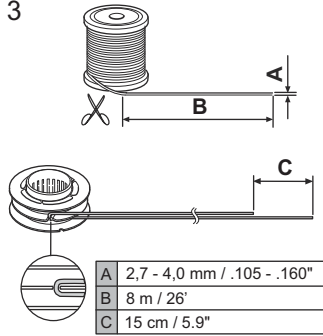
1



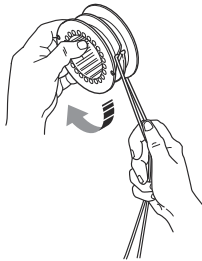
2



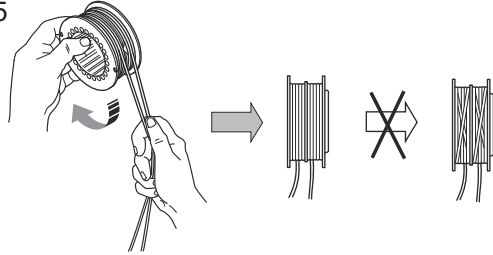
3



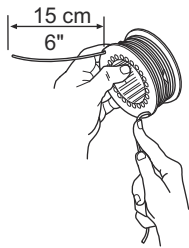
4



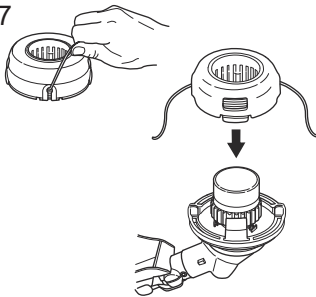
5



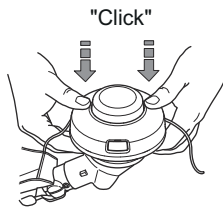
6



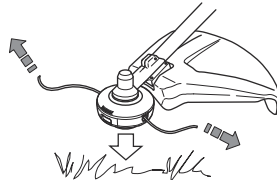
7



8



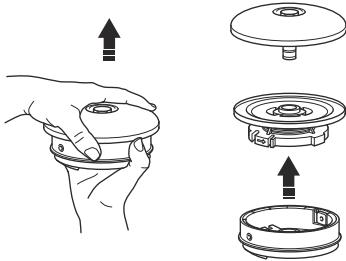
9



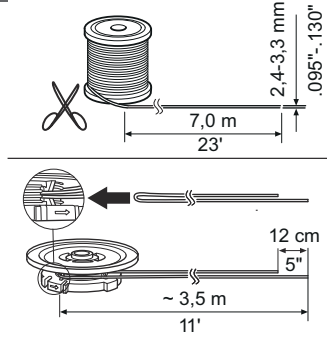
Trimmy SII



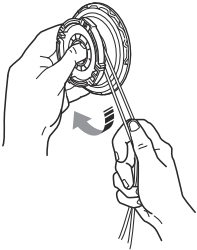
1



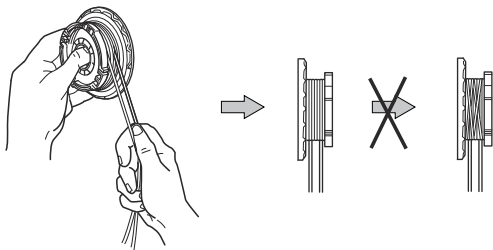
2



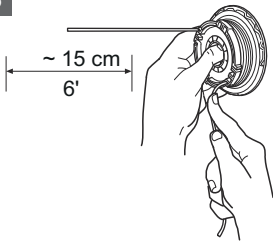
3



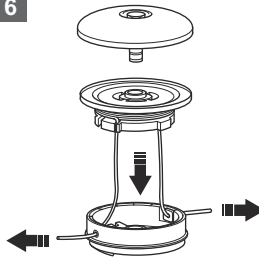
4



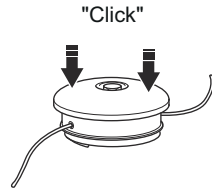
5



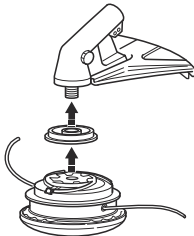
6



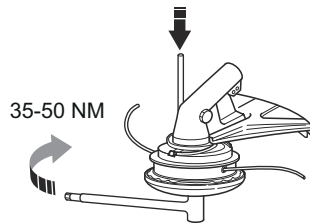
7



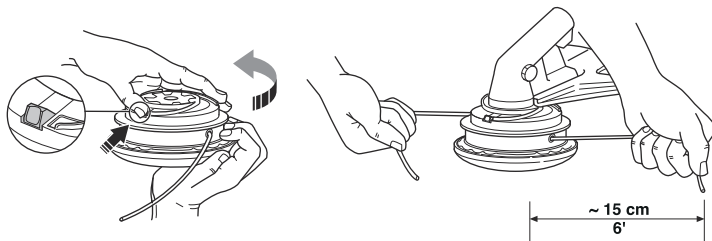
8



9



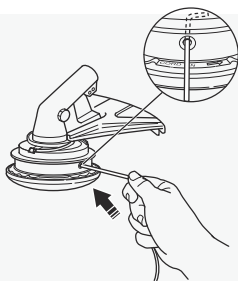
Trimmy SII



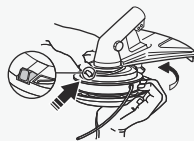
1



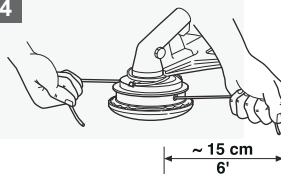
2



3



4





www.husqvarna.com

Original instructions
Instrucciones originales
Instructions d'origine
Instruções originais

Оригинальные инструкции
Originalna uputstva
Оригінальні інструкції
الإرشادات الأصلية



1144153-94

Rev. A



2024-08-20