

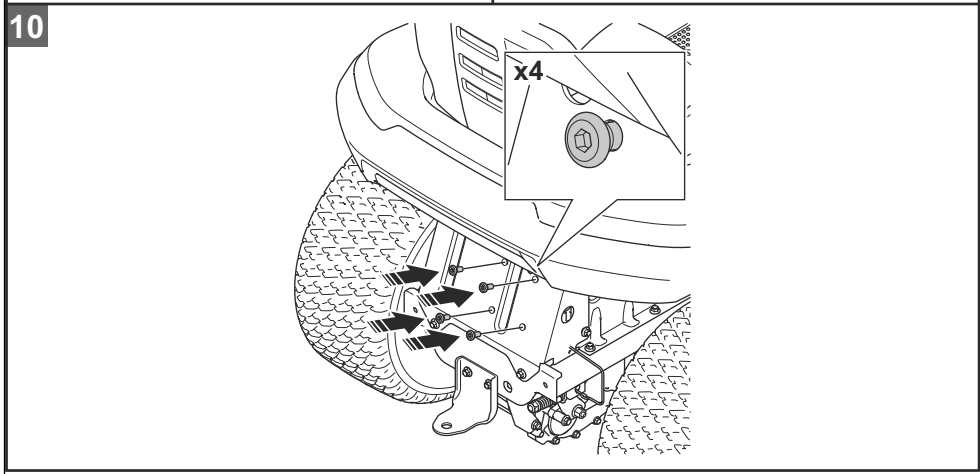
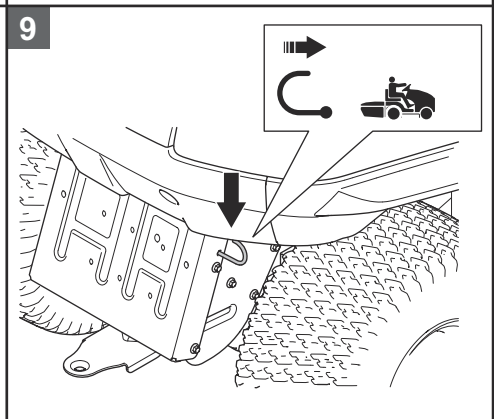
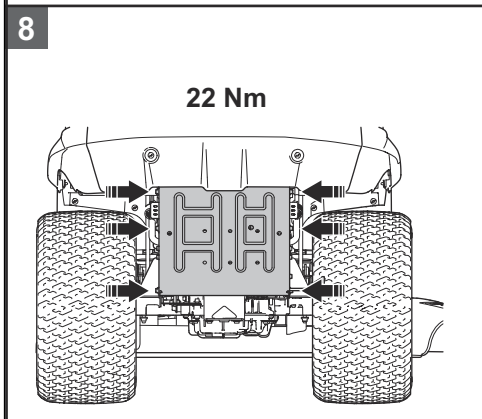
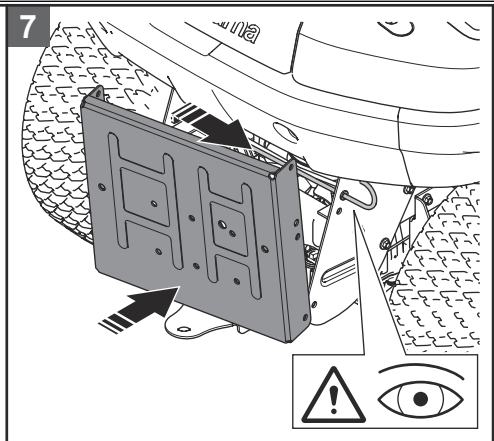
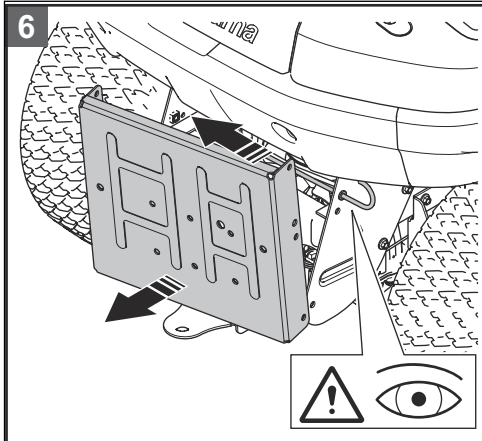


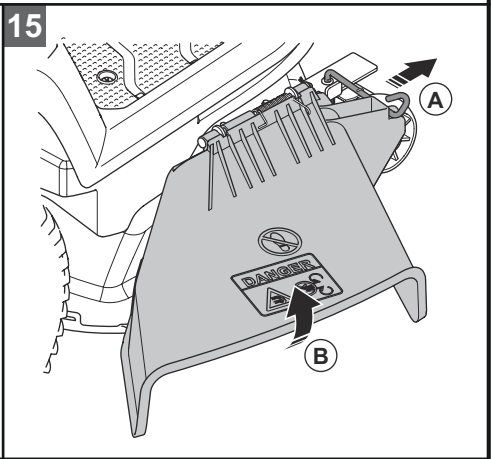
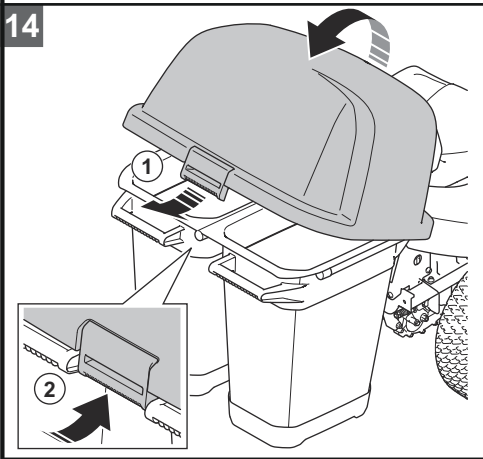
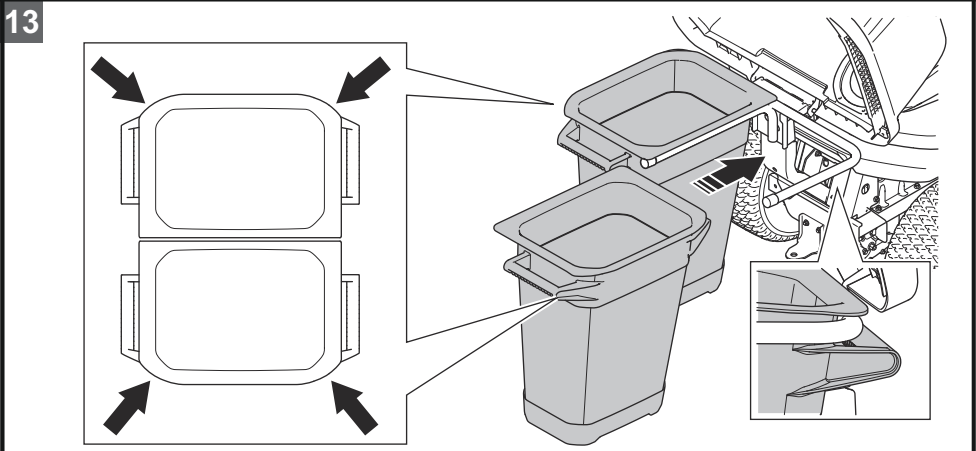
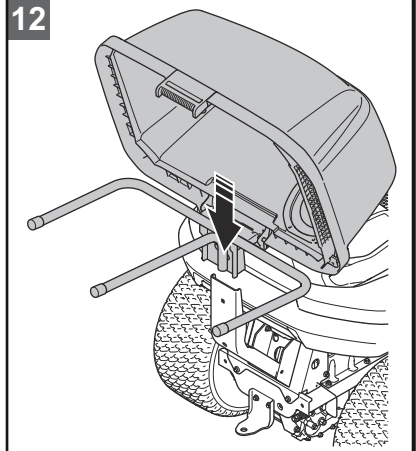
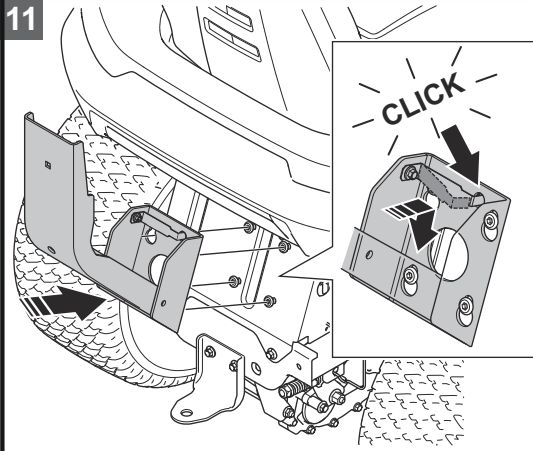
**Husqvarna®**

## **Husqvarna Attachments**

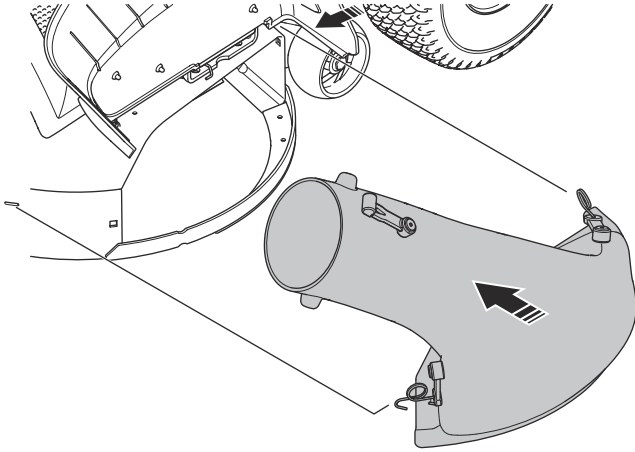
**Side Collection kit 547 28 89-01**



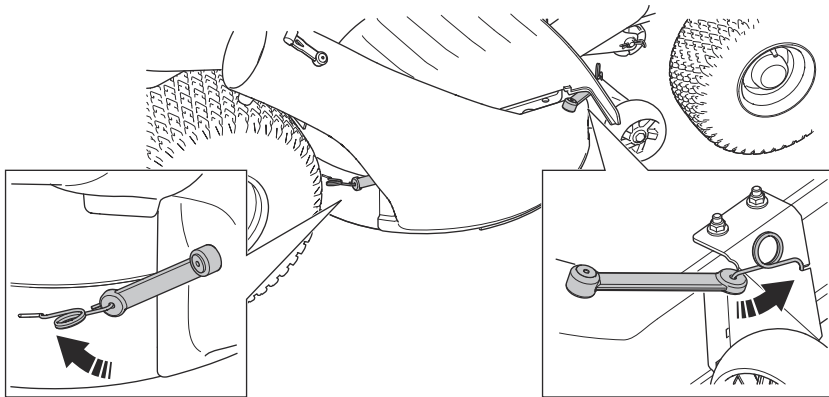




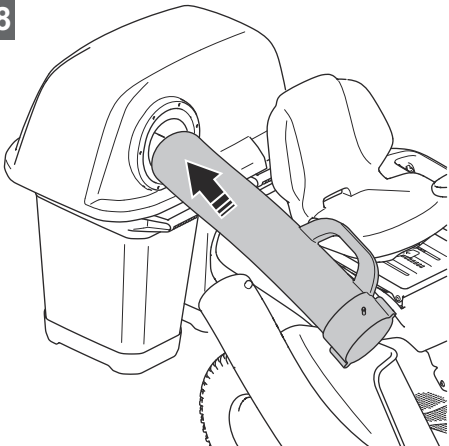
16



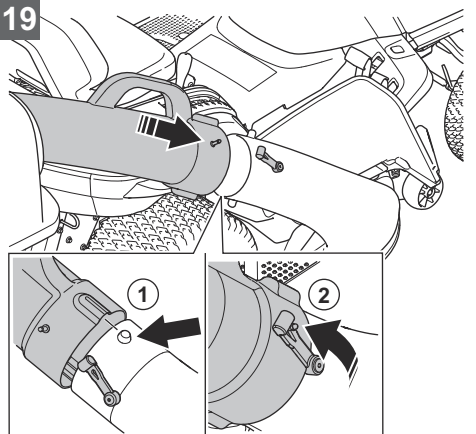
17



18



19







# Husqvarna®

[www.husqvarna.com](http://www.husqvarna.com)

Original instructions



1144122-38



2025-07-03