



**EN** Operator's manual 2-13  
**SV** Bruksanvisning 14-24  
**DA** Brugsanvisning 25-35  
**FI** Käyttöohje 36-46  
**NO** Bruksanvisning 47-57  
**FR** Manuel d'utilisation 58-68

**NL** Gebruiksaanwijzing 69-79  
**IT** Manuale dell'operatore 80-91  
**ES** Manual de usuario 92-102  
**DE** Bedienungsanweisung 103-114  
**PT** Manual do utilizador 115-126  
**SL** Navodila za uporabo 127-137



**EPOS™ RS1**

---

# Contents

---

1 Safety.....	2	6 Storage and disposal.....	9
2 Introduction.....	3	7 Technical data.....	9
3 Installation.....	6	8 EU Declaration of Conformity.....	11
4 Maintenance.....	8	9 Applicable to UK market.....	13
5 Troubleshooting.....	9		

---

## 1 Safety

---

### 1.1 Safety definitions

Warnings, cautions and notes are used to point out specially important parts of the manual.



**WARNING:** Used if there is a risk of injury or death for the operator or bystanders if the instructions in the manual are not obeyed.



**CAUTION:** Used if there is a risk of damage to the product, other materials or the adjacent area if the instructions in the manual are not obeyed.

**Note:** Used to give more information that is necessary in a given situation.

### 1.2 General safety instructions



**WARNING:** Read the warning instructions that follow before you use the product.

- Obey national regulations about electrical safety.
- The product is only to be used with the power supply unit supplied by Husqvarna.
- The product may only be used with the equipment recommended by the manufacturer. All other types of use are incorrect. The manufacturer's instructions with regard to operation/maintenance must be followed precisely.
- The product may only be operated, maintained and repaired by persons that are fully conversant with its special characteristics and safety regulations. Please read the Operator's Manual carefully and make sure you understand the instructions before using the product.
- Husqvarna does not guarantee full compatibility between the product and other types of

wireless systems such as remote controls, radio transmitters, hearing loops, underground electric animal fencing or similar.

- It is not permitted to modify the original design of the product. All modifications are made at your own risk.
- Examine the product for damage before you start the product. Do not use the product if it is damaged.
- The operating temperature is -20°C to 45°C / -4°F to 113°F. The storage temperature is -20°C to 70°C / -4°F to 158°F.

### 1.3 Safety instructions for installation



**WARNING:** Read the warning instructions that follow before you use the product.

- Do not put the power supply at a position where there is a risk that it can become wet. Do not put the power supply on the ground.
- Do not encapsulate the power supply. Condensed water can harm the power supply and increase the risk of electrical shock.
- Risk of Electric Shock. Install only to an residual-current device (RCD) when connecting the power supply to the wall socket. Applicable to USA/ Canada. If power supply is installed outdoors: Risk of Electric Shock. Install only to a covered Class A GFCI receptacle (RCD) that has an enclosure that is weatherproof with the attachment plug cap inserted or removed.
- Make sure that the plugs of the low-voltage cable and the power supply unit are clean and dry before you connect them.
- There is a risk of falling objects during the installation of the reference station. This can result in injury.
- The power supply cable and extension cable must be outside the work area to prevent damage to the cables.

- There is a risk of falling when you install the reference station in a high position. Make sure that you have a stable position when you install the reference station.

- Disconnect the product from the power supply before you clean or do maintenance on the product.

## 1.4 Safety instructions for maintenance



**WARNING:** Read the warning instructions that follow before you use the product.

## 1.5 In the event of a thunderstorm

To decrease the risk of damage to electrical components in the reference station, we recommend that the power supply to the reference station is disconnected if there is a risk of a thunderstorm. Connect the power supply again when there is no a risk of thunderstorm.

# 2 Introduction

## 2.1 Introduction

<b>Serial number:</b>	
<b>Product number:</b>	

The serial number is on the product rating plate and on the product carton. Use the serial number to register your product on [www.husqvarna.com](http://www.husqvarna.com).

### 2.1.1 Support

For support about the product, speak to your Husqvarna servicing dealer.

### 2.1.2 Product description

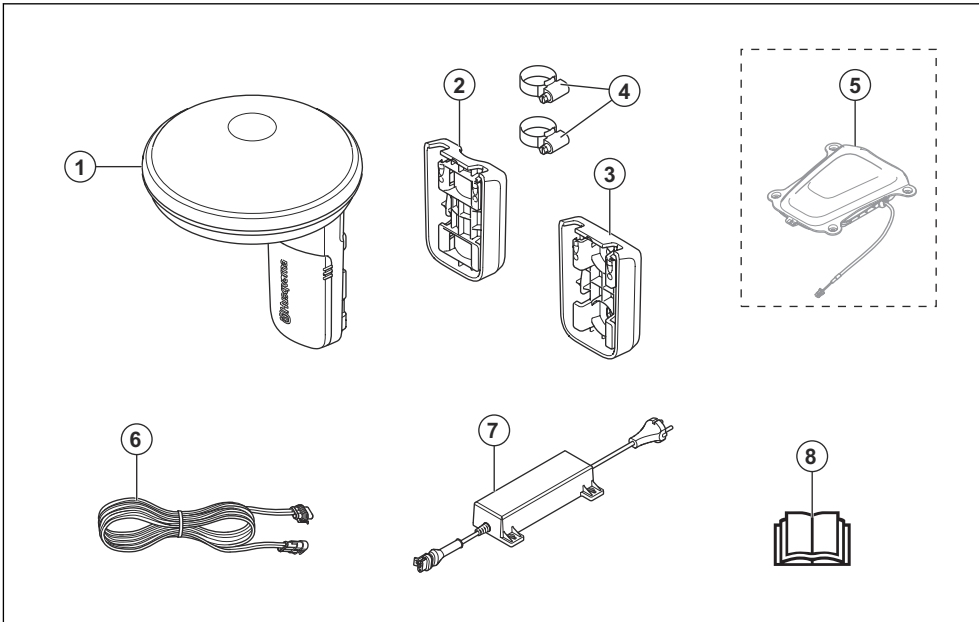
**Note:** Husqvarna regularly updates the appearance and function of the products. Refer to *Support on page 3*.

### 2.1.3 System description

The EPOS™ system contains a robotic lawn mower, a charging station and a reference station. The robotic lawn mower and the reference station receives satellite signals for positioning. The reference station is stationary and sends correction data to the robotic lawn mower to get an accurate position for the mower. The work area is made virtually in an app by operating the product and adding waypoints to make a map in an app.

The EPOS™ reference station receives satellite signals and sends correction data to the robotic lawn mower.

## 2.1.4 Product overview

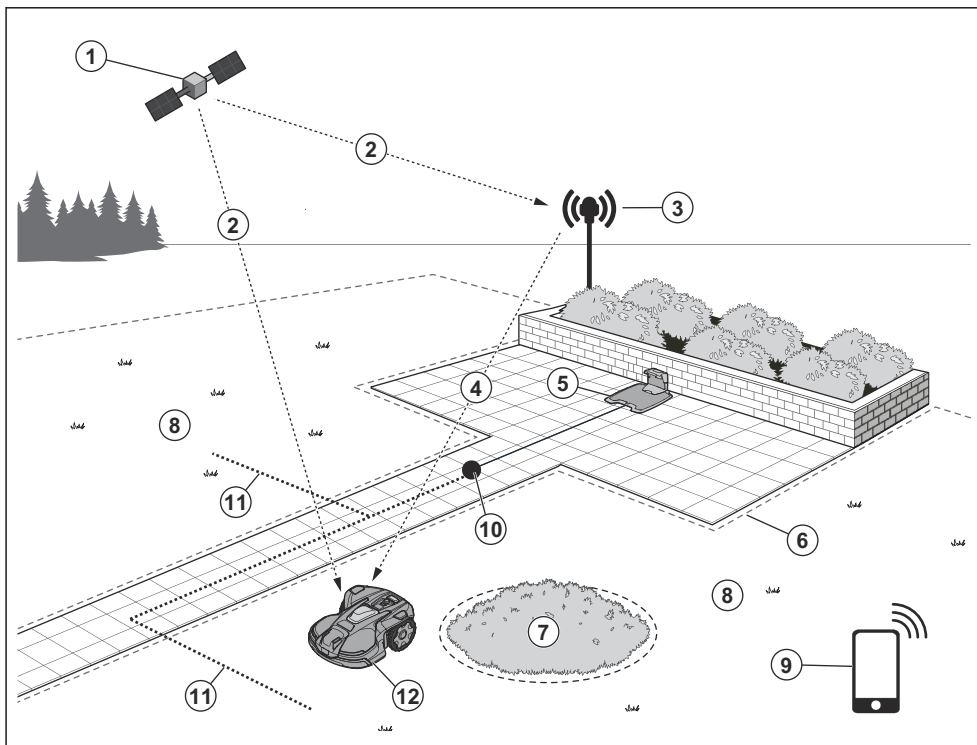


- |  |                              |
|--|------------------------------|
| 1. Reference station                     | 6. Low-voltage cable         |
| 2. Pole bracket                          | 7. Power supply <sup>2</sup> |
| 3. Wall bracket                          | 8. Operator's manual         |
| 4. Hose clamps                           |                              |
| 5. Automower® EPOS™ Plug-in <sup>1</sup> |                              |

<sup>1</sup> Purchased separately. The appearance can be different for different models.

<sup>2</sup> The appearance can be different for different markets.

## 2.1.5 System overview



1. Satellites
2. Satellite signals
3. Reference station
4. Correction data
5. Charging station<sup>3</sup>
6. Virtual boundary
7. Stay-out zone
8. Work area
9. Mobile device<sup>4</sup>
10. Docking point
11. Transport path
12. Robotic lawn mower with EPOS™ Plug-in Kit<sup>5</sup>

## 2.1.6 Symbols on the product

These symbols can be found on the product. Make sure that you understand them.



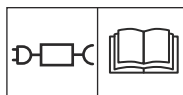
This product complies with the applicable EU Directives.



This product complies with the applicable UK Directives.



It is not permitted to dispose the product as usual domestic waste. Obey national regulations and use the local recycling system.



Use a detachable power supply as specified on the rating plate adjacent to the symbol.

<sup>3</sup> Not included.

<sup>4</sup> Not included.

<sup>5</sup> Robotic lawn mower not included.

---

**Note:** Other symbols/decals on the product refer to certification requirements for some markets.

---

### 2.1.7 Product damage

We are not responsible for damages to our product if:

- the product is incorrectly repaired.

- the product is repaired with parts that are not from the manufacturer or not approved by the manufacturer.
- the product has an accessory that is not from the manufacturer or not approved by the manufacturer.
- the product is not repaired at an approved service center or by an approved authority.

---

## 3 Installation

---

### 3.1 Introduction - Installation



**WARNING:** Read and understand the safety chapter before you install the product.



**WARNING:** Read and understand the safety chapter in the manual for the robotic lawn mower before you install the product.



**CAUTION:** Use original spare parts and installation material.

**Note:** Refer to [www.husqvarna.com](http://www.husqvarna.com) for more information about installation.

### 3.2 To examine where to put the reference station



**CAUTION:** If there is a lightning rod near by, do not install the reference station higher than the lightning rod.



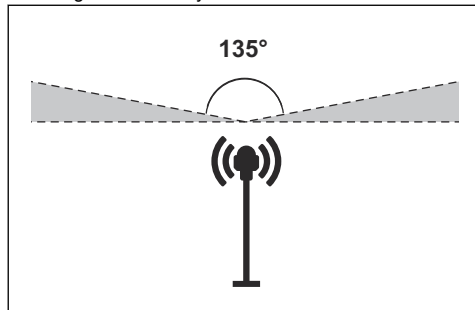
**CAUTION:** Do not install the reference station on a flagpole. Movements of the reference station will affect the correction data sent to the product with the accurate position.

- Install the reference station on a fixed object that cannot move or rotate.
- Install the reference station on a post or a wall. The post must be 27-36 mm / 1.1-2.2 in. in diameter to fit the attachments on the reference station.

**Note:** If the reference station is installed on a wall the top of the reference station must be above the wall. Metal objects can cause interference with the reference station signal.

---

- Make sure that the reference station has full view of the sky. It is necessary that minimum 135 degrees of the sky has a full view.



- Install the reference station at minimum 2 m / 6.5 ft. height.
- Make sure that the distance between the reference station and the robotic lawn mower is less than 100 m / 330 ft. Objects between the reference station and robotic lawn mower can decrease the distance.

### 3.3 To examine where to put the power supply



**WARNING:** Do not cut the low-voltage cable. There is a risk of electrical shock.



**CAUTION:** Make sure that the blades on the robotic lawn mower do not cut the power cables.

- Put the power supply in an area with a roof and protection from the sun and rain.
- Put the power supply in an area with good airflow.
- Use a residual-current device (RCD) when you connect the power supply to the power outlet.
- Extend the low-voltage cable if necessary. The low-voltage cable can be extended up to 100 m / 328 ft.

### 3.4 Installation of the product

Read and understand the instructions about the reference station. Refer to *To examine where to put the reference station on page 6*.

Read the Operator's manual for the robotic lawn mower to be used together with the reference station.

You can install the reference station on a post or a wall.



**CAUTION:** Movements of the reference station will affect the correction data sent to the product with the accurate position. The reference station must be installed tightly on the post or wall.

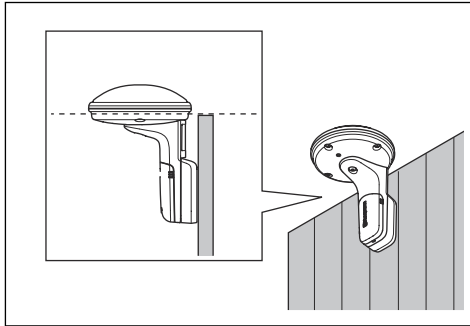


**CAUTION:** The items on the map will change position if you move the reference station. Adjust the items on the map or do the installation again in the Automower® Connect app.

#### 3.4.1 To install the bracket on a wall

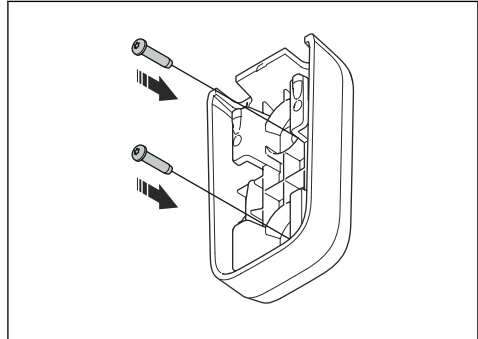
**Note:** Screws are not included. Use screws that are applicable for the wall material.

1. Hold the arm of the reference station on the wall. Make 2 marks on the wall for the 2 screws.



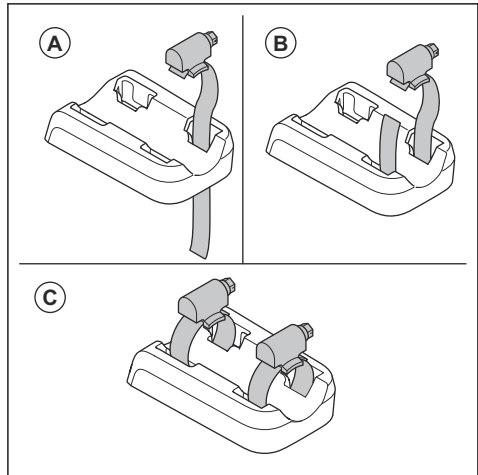
**Note:** Make sure that the top of the reference station is above the wall.

2. Drill holes at the 2 marks in the wall for the 2 screws.
3. Install the bracket on the wall with the 2 screws.

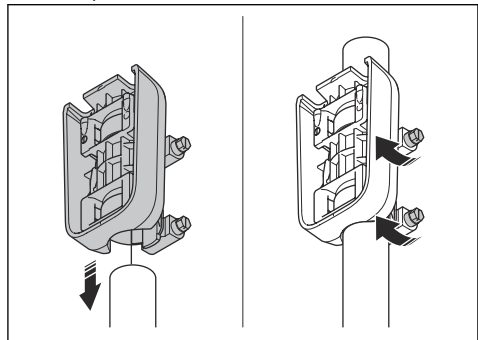


#### 3.4.2 To install the bracket on a pole

1. Attach the pole tightly to a wall, roof top or to the ground. Make sure that the pole cannot move.
2. Put the hose clamps through the slot on the rear side of the bracket.

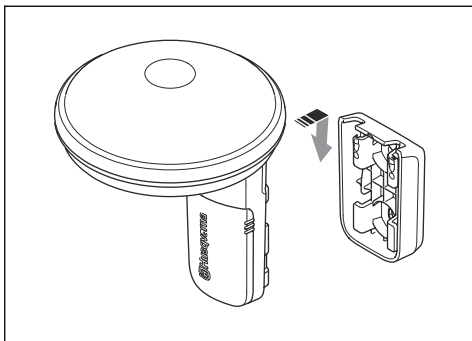


3. Attach the bracket on the pole and tighten the hose clamps with a flat screwdriver.

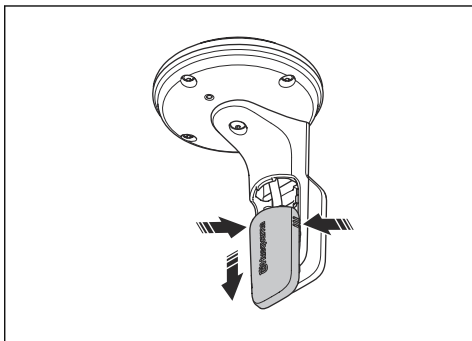


### 3.4.3 To install the reference station

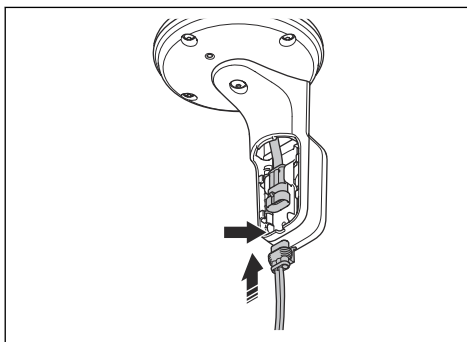
1. Hold the reference station above the bracket and align the arm of the reference station with the slots in the bracket.
2. Push the reference station down to attach it to the bracket.



3. Push and hold the cable cover and move it down to remove it from the reference station.



4. Connect the low-voltage cable to the reference station. Put the low-voltage cable in the cable slot.



5. Install the cable cover.
6. Connect the low-voltage cable from the reference station to the power supply.
7. Attach the low-voltage cable to the wall or pole with cable ties.



**CAUTION:** If the low-voltage cable is not attached tightly with cable ties, it can become damaged in hard wind.

8. Put the power supply 30-200 cm / 1-6.5 ft. above the ground. Refer to *To examine where to put the power supply on page 6*.
9. Connect the power supply cable to a 100-240V power outlet.

**Note:** The LED indicator of the reference station flashes green for some minutes. The LED indicator is solid green when the reference station is in operation. Refer to *LED indicator lamp on the reference station on page 9*.

## 4 Maintenance

### 4.1 To clean the reference station

Husqvarna recommends to use a special cleaning and maintenance kit, available as an accessory. Speak to your Husqvarna representative for more information.



**CAUTION:** Do not use a high-pressure washer to clean the product and the

charging station. Do not use solvents for cleaning.

- If necessary, use a moist cloth to clean the product.



---

## 5 Troubleshooting

---

### 5.1 LED indicator lamp on the reference station

Light	Status
Green flashing light	Startup of the reference station. Wait some minutes.
Green constant light	In operation.
Red flashing light	The reference station does not operate because of an error. Disconnect the power cord and connect it again to restart the product. If the problem stays, speak to your approved servicing dealer.
White flashing light	Firmware update is necessary. Speak to your local Husqvarna representative.
Yellow flashing light	Only for reference station in repeater mode: The reference station in repeater mode has no connection to the main reference station. The reference station is in startup mode or has no connection to the main reference station. If there is no connection, examine the main reference station or the nearest repeater.

---

## 6 Storage and disposal

---

### 6.1 Storage

If you store the reference station indoors, keep the arm installed at the post or wall to be able to install the reference station on its original position again.

If you keep the reference station outdoors during the winter, we recommend you to keep the power supply connected.

### 6.2 Disposal

Obey the local recycling requirements and applicable regulations.

---

## 7 Technical data

---

### 7.1 Technical data

Dimensions	
Length, cm/in.	17/6.7
Width, cm/in.	16/6.3
Height, cm/in.	22/8.7
Weight, kg/lb	0.5/1.1

<b>Product data</b>	
Type of Power Supply Unit	FW7313/28/D/XX/Y/1.3
Power supply input, V AC	100-240
Power supply output, V DC	28
Power supply output, A	1.3
Low-voltage cable, length m/ft	20 / 66
IP-code reference station	IPX5
IP-code power supply unit	IP44
Power consumption, W	2.8

<b>Frequency Band Support</b>	
Bluetooth® Frequency range (for service)	2400.0-2483.5 MHz
SRD868 (Europe)	863-870 MHz
SRD915 (North America)	902-928 MHz
SRD915 (Australia)	915-928 MHz
SRD915 (New Zealand)	915-928 MHz

<b>Power Class</b>	
Bluetooth® Output power (for service)	8 dBm
SRD868 (Europe)	13 dBm
SRD915 (North America)	13 dBm
SRD915 (Australia)	13 dBm
SRD915 (New Zealand)	13 dBm

Full compatibility cannot be guaranteed between the product and other types of wireless systems such as remote controls and radio transmitters.

## 7.2 Registered trademarks

The *Bluetooth®* word mark and logos are registered trademarks owned by *Bluetooth SIG, inc.* and any use of such marks by Husqvarna is under license.

## 8 EU Declaration of Conformity

### 8.1 Original EU Declaration of Conformity

#### EU Declaration of Conformity

ROB-CEPOS\_RS1-24-1E

We, Husqvarna AB, SE 561 82 Huskvarna, SWEDEN, Tel. +46 36 146500 declare on our sole responsibility that the products:

Description	Communication kit
Brand	HUSQVARNA
Type / Model	HUSQVARNA EPOS™ RS1 Reference Station Type 19.3.1
Identification	Serial numbers dating from 2023 week 51

complies fully with the following EU directives and regulations:

Directive/Regulation	Description
2014/53/EU	"relating to radio equipment"
2011/65/EU	"restriction of use of certain hazardous substances"

and that the following standards and/or technical specifications are applied;

EN 62368-1:2014+A11:2017  
EN IEC 63000:2018  
EN 55032:2015  
ETSI EN 301 489-1 V1.9.2  
ETSI EN 301 489-1 V2.2.3  
ETSI EN 301 489-3 V2.3.2  
ETSI EN 301 489-17 V3.2.4  
ETSI EN 301 489-17 V3.2.6  
ETSI EN 301 489-19 V2.1.1  
ETSI EN 300 328 2.2.2  
ETSI EN 300 220-1 V3.1.1  
ETSI EN 300 220-2 V3.2.1  
ETSI EN 303 413 V1.2.1

  
Sara Gard (Mar 6, 2024 15:26 GMT+1)

Sara Gard  
Huskvarna

Director Residential EPAC Robotic R&D  
Husqvarna AB, Husqvarna Forest & Garden  
Responsible for technical documentation



## 8.2 Translated EU Declaration of Conformity

We, Husqvarna AB, SE 561 82 Huskvarna, SWEDEN,  
Tel. +46 36 146500 declare on our sole responsibility  
that the product:

<b>Description</b>	<b>Communication kit</b>
<b>Brand</b>	HUSQVARNA
<b>Type/Model</b>	HUSQVARNA EPOS™ RS1 Reference Station Type 19.3.1
<b>Identification</b>	Serial numbers dating from 2023 week 51

complies fully with the following EU directives and  
regulations:

<b>Directive/Regulation</b>	<b>Description</b>
2014/53/EU	"Relating to radio equipment"
2011/65/EU	"Restriction of use of certain hazardous substances"

and that the following standards and/or technical  
specifications are applied;

- EN 62368-1:2014+A11:2017
- EN IEC 63000:2018
- EN 55032:2015
- ETSI EN 301 489-1 V1.9.2
- ETSI EN 301 489-1 V2.2.3
- ETSI EN 301 489-3 V2.3.2
- ETSI EN 301 489-17 V3.2.4
- ETSI EN 301 489-17 V3.2.6
- ETSI EN 301 489-19 V2.1.1
- ETSI EN 300 328 2.2.2
- ETSI EN 300 220-1 V3.1.1
- ETSI EN 300 220-2 V3.2.1
- ETSI EN 303 413 V1.2.1

Sara Gard

Huskvarna

Director Residential EPAC Robotic R&D Husqvarna AB,  
Husqvarna Forest & Garden, Responsible for technical  
documentation.



## 9 Applicable to UK market

### 9.1 Original UK Declaration of Conformity

#### Declaration of Conformity

ROB-CEPOS\_RS1-24-1U

We, Husqvarna AB, SE 561 82 Huskvarna, SWEDEN, Tel. +46 36 146500 declare on our sole responsibility that the product:

Description	Communication kit
Brand	HUSQVARNA
Type / Model	HUSQVARNA EPOS™ RS1 Reference Station Type 19.3.1
Identification	Serial numbers dating from 2023 week 51

complies fully with the following UK regulations:

Regulation
The Radio Equipment Regulations 2017 The Restriction of the Use of Certain Hazardous Substances in Electrical and Electronic Equipment Regulations 2012

and that the following standards and/or technical specifications are applied;

EN 62368-1:2014+A11:2017  
EN IEC 63000:2018  
EN 55032:2015  
ETSI EN 301 489-1 V1.9.2  
ETSI EN 301 489-1 V2.2.3  
ETSI EN 301 489-3 V2.3.2  
ETSI EN 301 489-17 V3.2.4  
ETSI EN 301 489-17 V3.2.6  
ETSI EN 301 489-19 V2.1.1  
ETSI EN 300 328 2.2.2  
ETSI EN 300 220-1 V3.1.1  
ETSI EN 300 220-2 V3.2.1  
ETSI EN 303 413 V1.2.1



UK Importer:  
Husqvarna UK Limited  
Preston Road, Aycliffe  
Business Park Newton  
Aycliffe, County Durham  
UK DL5 6UP

  
Sara Gard (Matr. No. 13526 GMT+1)

Sara Gard  
Huskvarna

Director Residential EPAC Robotic R&D  
Husqvarna AB, Husqvarna Forest & Garden  
Responsible for technical documentation

### 9.2 Statement of compliance

This product complies with the UK Product Security and Telecommunications Infrastructure Regulation.

Statement of compliance for your product can be found at [www.husqvarna.com/uk/support/](http://www.husqvarna.com/uk/support/).

---

## Innehåll

---

10 Säkerhet.....	14	14 Felsökning.....	21
11 Introduktion.....	15	15 Förvaring och kassering.....	21
12 Installation.....	18	16 Tekniska data.....	21
13 Underhåll.....	20	17 EU-försäkran om överensstämmelse.....	23

---

## 10 Säkerhet

---

### 10.1 Säkerhetsdefinitioner

Varningar, försiktighetsåtgärder och anmärkningar används för att betona speciellt viktiga delar i bruksanvisningen.



**WARNING:** Används om det finns risk för skador eller dödsfall för användaren eller kringstående om anvisningarna i bruksanvisningen inte följs.



**OBSERVERA:** Används om det finns risk för skada på produkten, annat material eller det angränsande området om anvisningarna i bruksanvisningen inte följs.

**Notera:** Används för att ge mer information som är nödvändig i en viss situation.

### 10.2 Allmänna säkerhetsanvisningar



**WARNING:** Läs varningsinstruktionerna nedan innan du använder produkten.

- Följ nationella föreskrifter om elsäkerhet.
- Produkten får endast användas med en strömförsörjningsenhet som tillhandahålls av Husqvarna.
- Produkten får bara användas med den utrustning som rekommenderas av tillverkaren. Alla andra typer av användning är felaktig. Tillverkarens anvisningar avseende drift och underhåll måste följas noggrant.
- Produkten får endast användas, underhållas och repareras av personer som har full kännedom om dess särskilda egenskaper och säkerhetsföreskrifter. Läs igenom bruksanvisningen noggrant och se till att du förstär instruktionerna innan du använder produkten.
- Husqvarna garanterar ej full kompatibilitet mellan produkten och andra typer av trådlösa system

såsom fjärrstyrningar, radiosändare, hörslingor, nedgrävda elektriska djurstängsel eller liknande.

- Det är inte tillåtet att ändra originalutförandet på produkten. Alla ändringar sker på eget ansvar.
- Undersök om produkten är skadad innan du startar den. Använd inte produkten om den är skadad.
- Drifttemperaturen är  $-20$  till  $45$  °C. Förvaringstemperaturen är  $-20$  till  $70$  °C.

### 10.3 Säkerhetsinstruktioner för installation



**WARNING:** Läs varningsinstruktionerna nedan innan du använder produkten.

- Placera inte strömförsörjningen på en plats där den riskerar att bli blöt. Placera inte strömförsörjningen på marken.
- Kapsla inte in strömförsörjningen. Kondensvatten kan skada strömförsörjningen och ökar risken för elektrisk stöt.
- Risk för elektrisk stöt. Installera endast till en jordfelsbrytare när du ansluter strömförsörjningen till vägguttaget. Gäller för USA/Kanada. Om strömförsörjningen installeras utomhus: Risk för elektrisk stöt. Installera endast till ett täckt Klass A GFCI-uttag (RCD) som har ett hölje som är väderbeständigt med tillbehörets kontaktskydd isatt eller borttaget.
- Se till att kontaktorna på lågspänningskabeln och strömförsörjningsenheten är rena och torra innan du ansluter dem.
- Det finns risk för fallande föremål när referensstationen installeras. Detta kan leda till skador.
- För att undvika skador på kablar måste strömkabeln och förlängningskabeln vara utanför arbetsområdet.
- Det finns risk för fall om du installerar referensstationen på hög höjd. Se till att du står stadigt när du installerar referensstationen.

## 10.4 Säkerhetsinstruktioner för underhåll



**VARNING:** Läs varningsinstruktionerna nedan innan du använder produkten.

- Koppla bort produkten från strömförsörjningen innan du rengör den eller utför underhåll på den.

## 10.5 Vid åskväder

För att minska risken för skador på de elektriska komponenterna i referensstationen rekommenderar vi att strömförsörjningen till referensstationen kopplas ur när det finns risk för åskväder. Anslut strömförsörjningen igen när det inte finns risk för åskväder.

# 11 Introduktion

## 11.1 Inledning

<b>Serienummer:</b>	
<b>Produktnummer:</b>	

Serienumret finns på produktens typskylt och på produktkartongen. Använd serienumret för att registrera din produkt på [www.husqvarna.com](http://www.husqvarna.com).

### 11.1.1 Support

Prata med en Husqvarna-serviceverkstad om support för produkten.

### 11.1.2 Produktbeskrivning

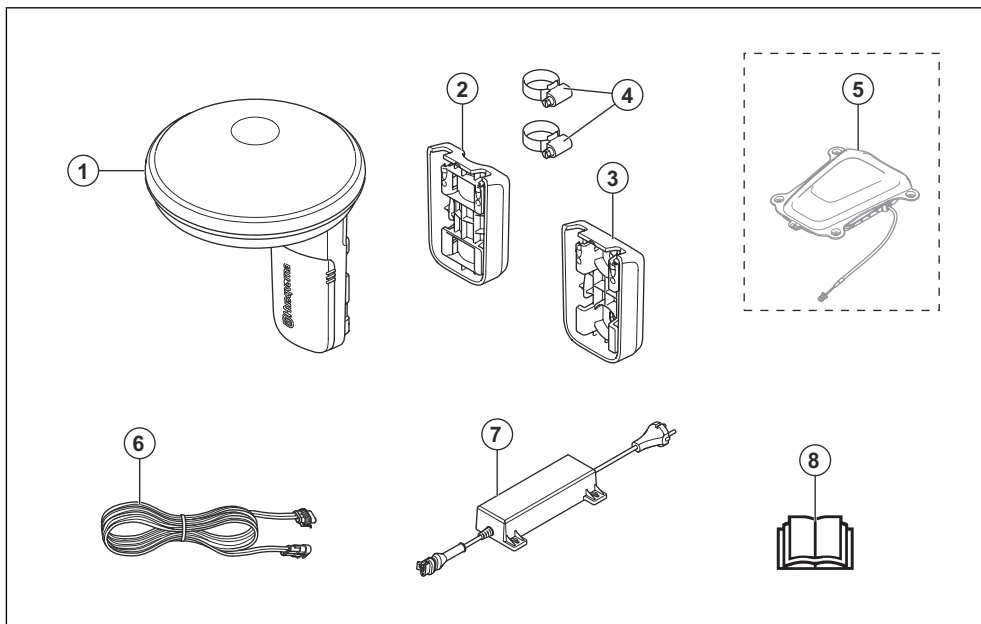
**Notera:** Husqvarna uppdaterar regelbundet produkternas utseende och funktion. Se *Support på sida 15*.

### 11.1.3 Systembeskrivning

I EPOS™-systemet ingår en robotgräsklippare, en laddstation och en referensstation. Robotgräsklipparen och referensstationen tar emot satellitsignaler för positionering. Referensstationen är stationär och skickar korrigeringsdata till robotgräsklipparen för att få rätt position för klipparen. Arbetsområdet skapas virtuellt i en app genom att produkten körs och punkter sätts ut för att skapa en karta i en app.

EPOS™-referensstationen tar emot satellitsignaler och skickar korrigeringsdata till robotgräsklipparen.

## 11.1.4 Produktöversikt



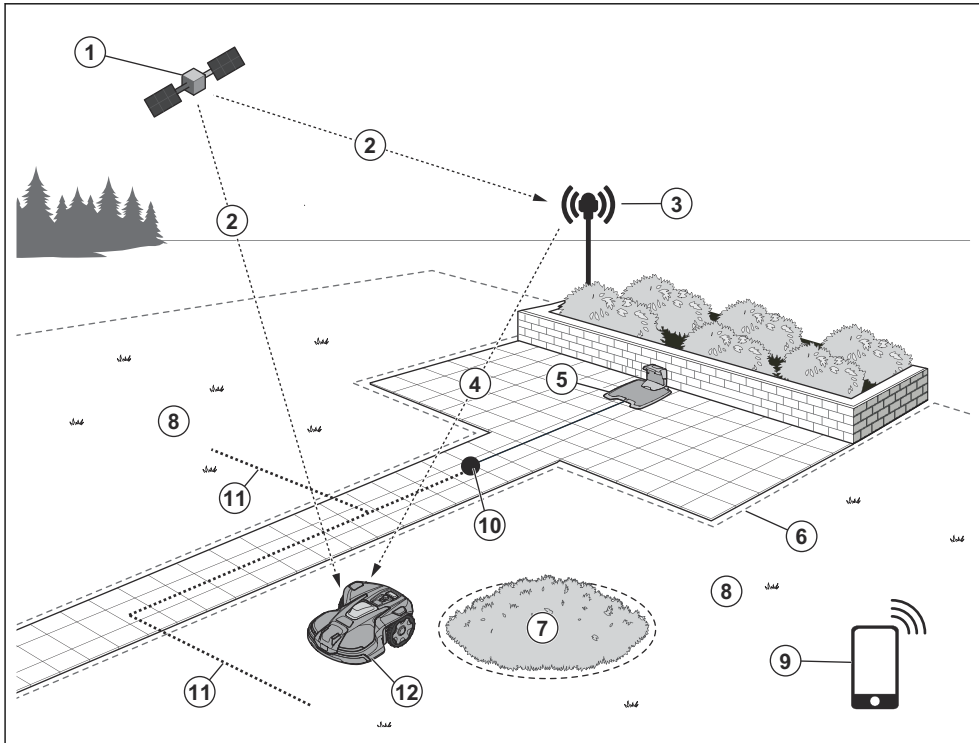
1. Referensstation
2. Hållare för stolpe
3. Väggfäste
4. Slangklämmor
5. Automower® EPOS™ Plug-in<sup>6</sup>
6. Lågspänningskabel
7. Strömförsörjning<sup>7</sup>
8. Bruksanvisning

<sup>6</sup> Köps separat. Utseendet kan skilja sig åt på olika modeller.

<sup>7</sup> Utseendet kan skilja sig åt för olika marknader.



## 11.1.5 Systemöversikt



1. Satelliter
2. Satellitsignaler
3. Referensstation
4. Korrigeringsdata
5. Laddstation<sup>8</sup>
6. Virtuella gränser
7. Avgränsad zon
8. Arbetsområde
9. Mobil enhet<sup>9</sup>
10. Dockningspunkt
11. Transportväg
12. Robotgräsklippare med EPOS™ Plug-in-kit<sup>10</sup>

## 11.1.6 Symboler på produkten

Dessa symboler kan finnas på produkten. Se till att du förstår dem.



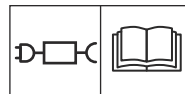
Den här produkten överensstämmer med gällande EU-direktiv.



Den här produkten överensstämmer med gällande direktiv för Storbritannien.



Det är inte tillåtet att kassera produkten som vanligt hushållsavfall. Följ nationella bestämmelser och använd det lokala återvinningssystemet.



Använd en löstagbar strömförsörjningskälla enligt specifikation på typskylten bredvid symbolen.

<sup>8</sup> Medföljer ej.

<sup>9</sup> Medföljer ej.

<sup>10</sup> Robotgräsklippare ingår inte.

**Notera:** Övriga symboler/etiketter på produkten avser specifika krav för certifieringar på vissa marknader.

### 11.1.7 Produktskada

Vi ansvarar inte för skador på vår produkt om:

- produkten repareras felaktigt

- produkten repareras med delar som inte kommer från tillverkaren eller inte har godkänts av tillverkaren
- produkten har ett tillbehör som inte kommer från tillverkaren eller inte har godkänts av tillverkaren
- produkten inte repareras vid ett godkänt servicecenter eller av en godkänd person.

## 12 Installation

### 12.1 Inledning – installation



**VARNING:** Läs och förstå säkerhetskapitlet innan du installerar produkten.



**VARNING:** Läs och förstå säkerhetskapitlet i bruksanvisningen för robotgräsklipparen innan du installerar produkten.



**OBSERVERA:** Använd originaldelar och originalinstallationsmaterial.

**Notera:** Se [www.husqvarna.com](http://www.husqvarna.com) för mer information om installation.

### 12.2 Undersöka var referensstationen kan placeras



**OBSERVERA:** Om det finns en åskledare i närheten ska du inte installera referensstationen högre än åskledaren.



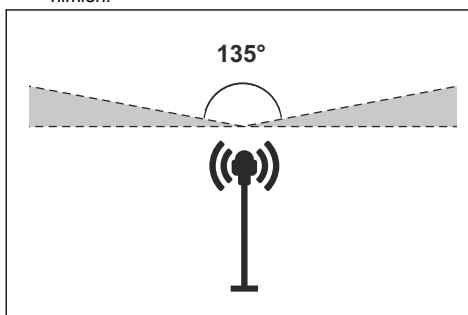
**OBSERVERA:** Installera inte referensstationen på en flaggstång. Referensstationens rörelser påverkar de korrigeringsdata som skickas till produkten med korrekt position.

- Installera referensstationen på ett fast föremål som inte kan röra sig eller rotera.
- Installera referensstationen på en stolpe eller vägg. Stolpen måste vara 27-36 mm i diameter för att passa monteringsställbehören för referensstationen.

**Notera:** Om referensstationen installeras på en vägg måste ovansidan av referensstationen

vara ovanför väggen. Metallföremål kan orsaka störningar i referensstationens signal.

- Se till att referensstationen har fri sikt mot himlen. Den måste ha minst 135 graders fri sikt mot himlen.



- Installera referensstationen på minst 2 meters höjd.
- Se till att avståndet mellan referensstationen och robotgräsklipparen är kortare än 100 m. Föremål som ligger mellan referensstationen och robotgräsklipparen kan minska avståndet.

### 12.3 Undersöka var strömförsörjningen kan placeras



**VARNING:** Kapa inte lågspänningskabeln. Det finns risk för elektriska stötar.



**OBSERVERA:** Se till att knivarna på robotgräsklipparen inte skär av strömkablarna.

- Placera strömförsörjningen i ett område med tak och skydd från sol och regn.
- Placera strömförsörjningen i ett område med bra luftflöde.
- Använd en jordfelsbrytare när du ansluter strömförsörjningen till eluttaget.

- Förläng lågspänningskabeln om det behövs. Lågspänningskabeln kan förlängas upp till 100 m.

## 12.4 Installation av produkten

Läs och förstå anvisningarna om referensstationen. Se *Undersöka var referensstationen kan placeras på sida 18*.

Läs bruksanvisningen för robotgräsklipparen som ska användas tillsammans med referensstationen.

Du kan installera referensstationen på en stolpe eller vägg.



**OBSERVERA:** Referensstationens rörelser påverkar de korrigeringsdata som skickas till produkten med korrekt position. Referensstationen måste installeras tätt mot stolpen eller väggen.

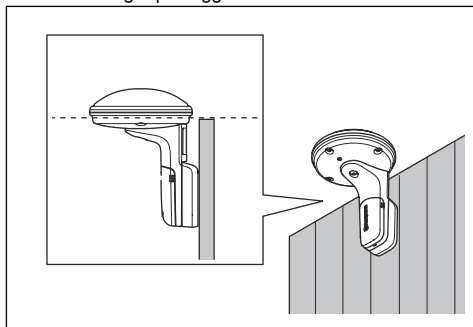


**OBSERVERA:** Föremålen på kartan ändrar position om du flyttar referensstationen. Justera föremålen på kartan eller gör om installationen i Automower® Connect-appen.

### 12.4.1 Installera fästet på väggen

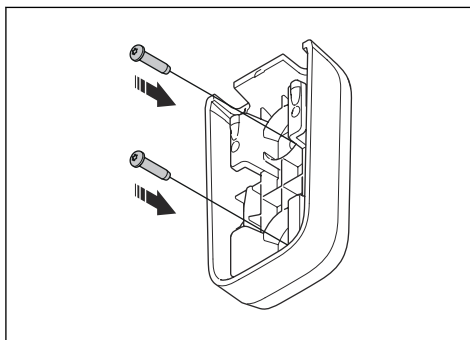
**Notera:** Skruvar medföljer ej. Använd skruvar som är lämpliga för det aktuella väggmaterialet.

1. Håll referensstationens arm mot väggen. Gör två markeringar på väggen för de två skruvarna.



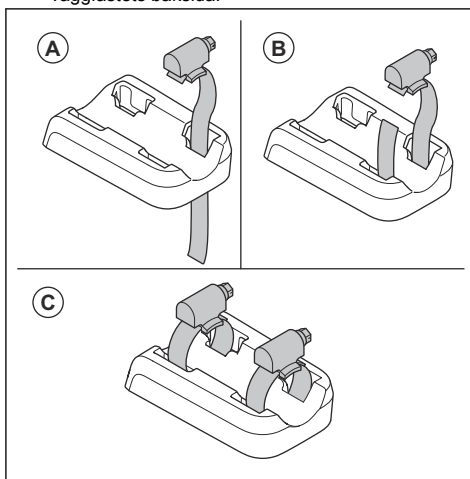
**Notera:** Se till att referensstationens ovansida ligger ovanför väggen.

2. Borra hål där de två markeringarna sitter på väggen.
3. Installera väggfästet på väggen med de två skruvarna.

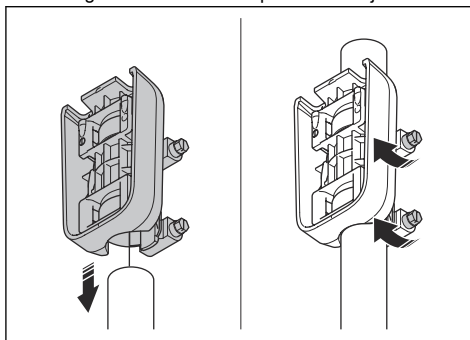


### 12.4.2 Installera fästet på en stång

1. Fäst stängen ordentligt på en vägg, på ett tak eller på marken. Se till att stängen sitter ordentligt fast.
2. För slangklämmorna genom öppningen på väggfästets baksida.

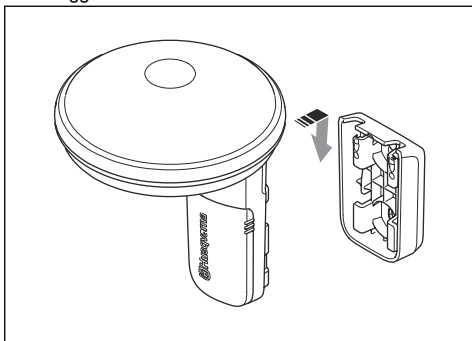


3. Fäst väggfästet på stängen och skruva fast slangklämmorna med en platt skruvmejsel.

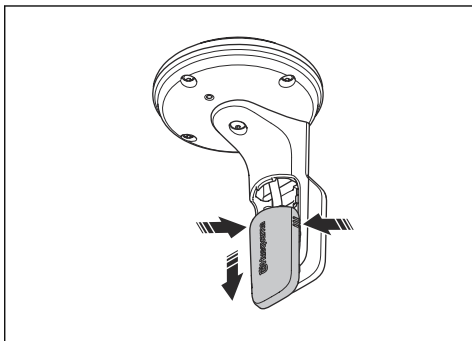


### 12.4.3 Installera referensstationen

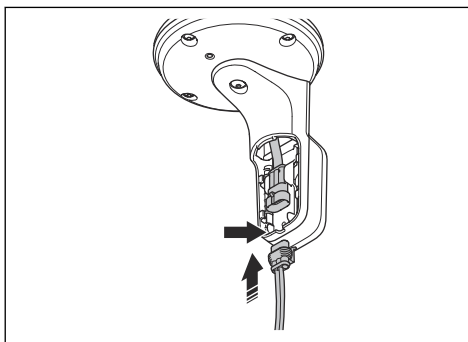
1. Håll referensstationen ovanför väggfästet och rikta in referensstationens arm med skärorna i väggfästet.
2. Tryck ner referensstationen för att fästa den i väggfästet.



3. Tryck och håll fast kabelkåpan, och flytta den nedåt för att ta bort den från referensstationen.



4. Anslut lågspänningskabeln till referensstationen. Placera lågspänningskabeln i kabelöppningen.



5. Installera kabelkåpan.
6. Anslut lågspänningskabeln från referensstationen till strömförsörjningen.
7. Fäst lågspänningskabeln vid väggen eller stängen med buntband.



**OBSERVERA:** Om lågspänningskabeln inte fästs ordentligt med buntband kan den skadas vid hård vind.

8. Placera strömkällan 30-200 cm ovanför marken. Se *Undersöka var strömförsörjningen kan placeras på sida 18*.
9. Anslut strömförsörjningens kabel till ett 100–240 V eluttag.

**Notera:** LED-kontrolllampan på referensstationen blinkar grönt i några minuter. LED-kontrolllampan lyser med ett fast grönt sken när referensstationen är i drift. Se *LED-kontrollampa på referensstationen på sida 21*.

## 13 Underhåll

### 13.1 Rengöra referensstationen

Husqvarna rekommenderar att du använder ett speciellt rengörings- och underhållskit som finns som tillbehör. Prata med din Husqvarna-representant för mer information.



**OBSERVERA:** Använd inte högtryckstvätt för att rengöra produkten och

laddstationen. Använd inte lösningsmedel vid rengöring.

- Använd en fuktig trasa vid behov för att rengöra produkten.

---

## 14 Felsökning

---

### 14.1 LED-kontrollampa på referensstationen

Lampa	Status
Grönt blinkande ljus	Start av referensstationen. Vänta några minuter.
Grönt fast sken	I drift.
Rött blinkande ljus	På grund av ett fel fungerar inte referensstationen. Dra ur strömsladden och anslut den igen för att starta om produkten. Om problemet kvarstår kontaktar du en godkänd serviceverkstad.
Vitt blinkande ljus	Programvaruuppdatering krävs. Tala med en lokal Husqvarna-representant.
Gult blinkande sken	Endast för referensstation i repeaterläge: Referensstationen i repeaterläge har ingen anslutning till huvudreferensstationen. Referensstationen är i startläge eller har ingen anslutning till huvudreferensstationen. Om det inte finns någon anslutning undersöker du huvudreferensstationen eller närmaste repeater.

---

## 15 Förvaring och kassering

---

### 15.1 Förvaring

Om du förvarar referensstationen inomhus ska du låta armen sitta kvar på stolpen eller väggen så att du kan installera referensstationen på dess ursprungliga plats igen.

Om referensstationen är utomhus under vintern rekommenderar vi att du låter strömförsörjningen vara ansluten.

### 15.2 Kassering

Följ lokala återvinningsbestämmelser och tillämpliga förordningar.

---

## 16 Tekniska data

---

### 16.1 Tekniska data

Dimensioner	
Längd, cm/tum	17/6,7
Bredd, cm/tum	16/6,3
Höjd, cm/tum	22 / 8,7
Vikt, kg/lb	0,5/1,1

<b>Produktdata</b>	
Typ av enhet för strömförsörjning	FW7313/28/D/XX/Y/1.3
Strömförsörjning ineffekt, V AC	100–240
Strömförsörjning uteffekt, V DC	28
Strömförsörjning uteffekt, A	1,3
Lågspänningskabelns längd, m / fot	20 / 66
IP-kod referensstation	IPX5
IP-kod enhet för strömförsörjning	IP44
Strömförbrukning, W	2,8

<b>Frekvensband som stöds</b>	
Bluetooth®-frekvensintervall (för service)	2 400,0–2 483,5 MHz
SRD868 (Europa)	863–870 MHz
SRD915 (Nordamerika)	902–928 MHz
SRD915 (Australien)	915–928 MHz
SRD915 (Nya Zeeland)	915–928 MHz

<b>Energiklass</b>	
Bluetooth®-uteffekt (för service)	8 dBm
SRD868 (Europa)	13 dBm
SRD915 (Nordamerika)	13 dBm
SRD915 (Australien)	13 dBm
SRD915 (Nya Zeeland)	13 dBm

Fullständig kompatibilitet kan inte garanteras mellan produkten och andra typer av trådlösa system, till exempel fjärrkontroller och radiosändare.

## 16.2 Registrerade varumärken

Ordmärket och logotypen *Bluetooth®* är registrerade varumärken som ägs av *Bluetooth SIG, inc.*, och all användning av sådana märken av Husqvarna sker med licens.

# 17 EU-försäkran om överensstämmelse

## 17.1 Original-EU-försäkran

### EU Declaration of Conformity

ROB-CEPOS\_RS1-24-1E

We, Husqvarna AB, SE 561 82 Huskvarna, SWEDEN, Tel. +46 36 146500 declare on our sole responsibility that the products:

Description	Communication kit
Brand	HUSQVARNA
Type / Model	HUSQVARNA EPOS™ RS1 Reference Station Type 19.3.1
Identification	Serial numbers dating from 2023 week 51

complies fully with the following EU directives and regulations:

Directive/Regulation	Description
2014/53/EU	"relating to radio equipment"
2011/65/EU	"restriction of use of certain hazardous substances"

and that the following standards and/or technical specifications are applied;

EN 62368-1:2014+A11:2017  
EN IEC 63000:2018  
EN 55032:2015  
ETSI EN 301 489-1 V1.9.2  
ETSI EN 301 489-1 V2.2.3  
ETSI EN 301 489-3 V2.3.2  
ETSI EN 301 489-17 V3.2.4  
ETSI EN 301 489-17 V3.2.6  
ETSI EN 301 489-19 V2.1.1  
ETSI EN 300 328 2.2.2  
ETSI EN 300 220-1 V3.1.1  
ETSI EN 300 220-2 V3.2.1  
ETSI EN 303 413 V1.2.1

  
Sara Gard (Mar 6, 2024 15:26 GMT+1)

Sara Gard  
Huskvarna

Director Residential EPAC Robotic R&D  
Husqvarna AB, Husqvarna Forest & Garden  
Responsible for technical documentation



## 17.2 Översatt EU-försäkran

Vi, Husqvarna AB, SE 561 82 Huskvarna, SWEDEN,  
Tel. +46 36 146500, försäkrar på eget ansvar att  
produkten:

<b>Beskrivning</b>	<b>Kommunikationskit</b>
<b>Varumärke</b>	HUSQVARNA
<b>Typ/Modell</b>	HUSQVARNA EPOS™ RS1 Reference Station Type 19.3.1
<b>Identifiering</b>	Serienummer från 2023 vecka 51

uppfyller alla krav i följande EU-direktiv och förordningar:

<b>Direktiv/förordning</b>	<b>Beskrivning</b>
2014/53/EU	"Angående radioutrustning"
2011/65/EU	"Begränsning av användning av vissa farliga ämnen"

och att följande standarder och/eller tekniska  
specifikationer tillämpas:

- EN 62368-1:2014+A11:2017
- EN IEC 63000:2018
- EN 55032:2015
- ETSI EN 301 489-1 V1.9.2
- ETSI EN 301 489-1 V2.2.3
- ETSI EN 301 489-3 V2.3.2
- ETSI EN 301 489-17 V3.2.4
- ETSI EN 301 489-17 V3.2.6
- ETSI EN 301 489-19 V2.1.1
- ETSI EN 300 328 2.2.2
- ETSI EN 300 220-1 V3.1.1
- ETSI EN 300 220-2 V3.2.1
- ETSI EN 303 413 V1.2.1

Sara Gard

Huskvarna

Director Residential EPAC Robotic R&D Husqvarna  
AB, Husqvarna Forest & Garden, ansvarig för teknisk  
dokumentation.





---

## Indhold

---

18 Sikkerhed.....	25	22 Fejlfinding.....	32
19 Indledning.....	26	23 Opbevaring og bortskaffelse.....	32
20 Installation.....	29	24 Tekniske data.....	32
21 Vedligeholdelse.....	32	25 EU-overensstemmelseserklæring.....	34

---

## 18 Sikkerhed

---

### 18.1 Sikkerhedsdefinitioner

Advarsler, forholdsregler og bemærkninger bruges til at pege på særligt vigtige dele af brugsanvisningen.



**ADVARSEL:** Bruges, hvis føreren udsætter sig selv eller omkringstående personer for risiko for personskade eller dødsfald ved tilsidesættelse af instruktionerne i brugsanvisningen.



**BEMÆRK:** Bruges, hvis der er risiko for skader på produktet, andre materialer eller det omgivende område ved tilsidesættelse af instruktionerne i brugsanvisningen.

**Bemærk:** Bruges til at give yderligere oplysninger, der er nødvendige i en given situation.

### 18.2 Generelle sikkerhedsinstruktioner



**ADVARSEL:** Læs følgende advarselsinstruktioner, inden du bruger produktet.

- Overhold de nationale bestemmelser om elektrisk sikkerhed.
- Produktet må kun bruges sammen med den strømforsyningsenhed, der blevet leveret af Husqvarna.
- Produktet må kun benyttes med det udstyr, som anbefales af producenten. Alle andre former for brug er forkerte. Producentens instruktioner angående betjening/vedligeholdelse skal følges nøjagtigt.
- Produktet må kun betjenes, vedligeholdes og repareres af personer, der har fuldstændigt kendskab til dens særlige egenskaber og regler vedrørende generel sikkerhed. Læs brugervejledningen omhyggeligt igennem, og sørg for at have forstået indholdet, inden du bruger produktet.

- Husqvarna garanterer ikke fuld kompatibilitet mellem produktet og andre typer trådløse systemer, såsom fjernbetjeninger, radiosendere, teleslyngler, nedgravet dyreindhegning eller lignende.
- Produktets oprindelige udformning må ikke ændres. Enhver form for ændring foretages på eget ansvar.
- Undersøg produktet for skader, før du starter det. Brug ikke produktet, hvis det er beskadiget.
- Driftstemperaturen er -20°C til 45°C. Opbevaringstemperaturen er -20 °C til 70 °C.

### 18.3 Sikkerhedsinstruktioner til installation



**ADVARSEL:** Læs følgende advarselsinstruktioner, inden du bruger produktet.

- Anbring ikke strømforsyningen på et sted, hvor der er risiko for, at den kan blive våd. Placer ikke strømforsyningen på jorden.
- Indkapsl ikke strømforsyningen. Kondensvand kan skade strømforsyningen og øge risikoen for elektrisk stød.
- Risiko for elektrisk stød. Tilslut kun strømforsyningen til en skikkontakt, der er tilsluttet en fejlstrømsafbryder (RCD). Gældende for USA/ Canada. Hvis strømforsyningen er installeret udenørs: Risiko for elektrisk stød. Tilslut kun til en overdækket GFCI-stikforbindelse (RCD) af klasse A, som har et vejrbestandigt kabinet med udstyrets stikprop indsat eller fjernet.
- Sørg for, at stikkene på lavspændingskablet og strømforsyningsenheden er rene og tørre, før du tilslutter dem.
- Der er risiko for nedfaldende genstande under installationen af referencestationen. Dette kan medføre personskade.
- Strømforsyningskablet og forlængerkablet skal være uden for arbejdsområdet for at forhindre beskadigelse af kablerne.

- Der er risiko for at falde ned, når referencestationen installeres i en høj position. Sørg for, at du har en stabil position, når du installerer referencestationen.

## 18.4 Sikkerhedsinstruktioner for vedligeholdelse



**ADVARSEL:** Læs følgende advarelsinstruktioner, inden du bruger produktet.

- Tag stikket til produktet ud af stikkontakten, før du rengør eller udfører vedligeholdelse på produktet.

## 18.5 I tilfælde af tordenvejr

For at mindske risikoen for beskadigelse af elektriske komponenter i referencestationen anbefaler vi, at strømforsyningen til referencestationen afbrydes, hvis der er risiko for tordenvejr. Tilslut strømforsyningen igen, når der ikke er risiko for tordenvejr.

# 19 Indledning

## 19.1 Indledning

Serienummer:	
Produktnummer:	

Serienummeret findes på produktets typeskilt og på produktkassen. Brug serienummeret, når du skal registrere dit produkt på [www.husqvarna.com](http://www.husqvarna.com).

### 19.1.1 Support

Tal med din Husqvarna-serviceforhandler for at få support til dit produkt.

### 19.1.2 Produktbeskrivelse

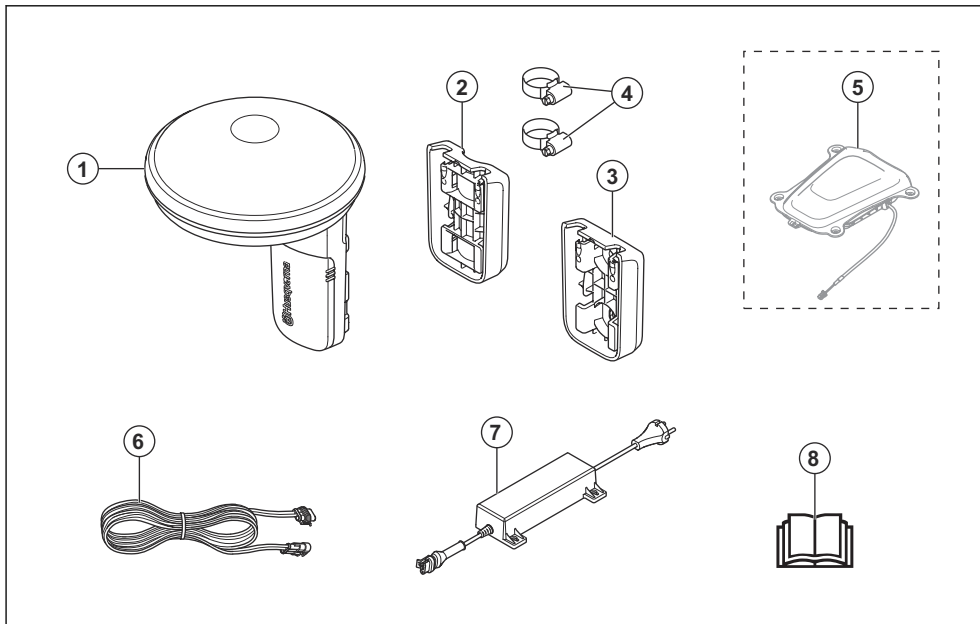
**Bemærk:** Husqvarna opdaterer regelmæssigt sine produkters udseende og funktion. Se *Support på side 26*.

EPOS™-referencestationen modtager satellitsignaler og sender korrektionsdata til robotplæneklipperen.

### 19.1.3 Systembeskrivelse

EPOS™-systemet indeholder en robotplæneklipper, en ladestation og en referencestation. Robotplæneklipperen og referencestationen modtager satellitsignaler til positionering. Referencestationen er stationær og sender korrektionsdata til robotplæneklipperen for at få en nøjagtig position for plæneklipperen. Arbejdsområdet oprettes virtuelt i en app ved at betjene produktet og tilføje styringspunkter for at oprette et kort i en app.

## 19.1.4 Produktoversigt



1. Referencestation

2. Stangbeslag

3. Vægbeslag

4. Slangeklemmer

5. Automower® EPOS™ Plug-in<sup>11</sup>

6. Lavspændingskabel

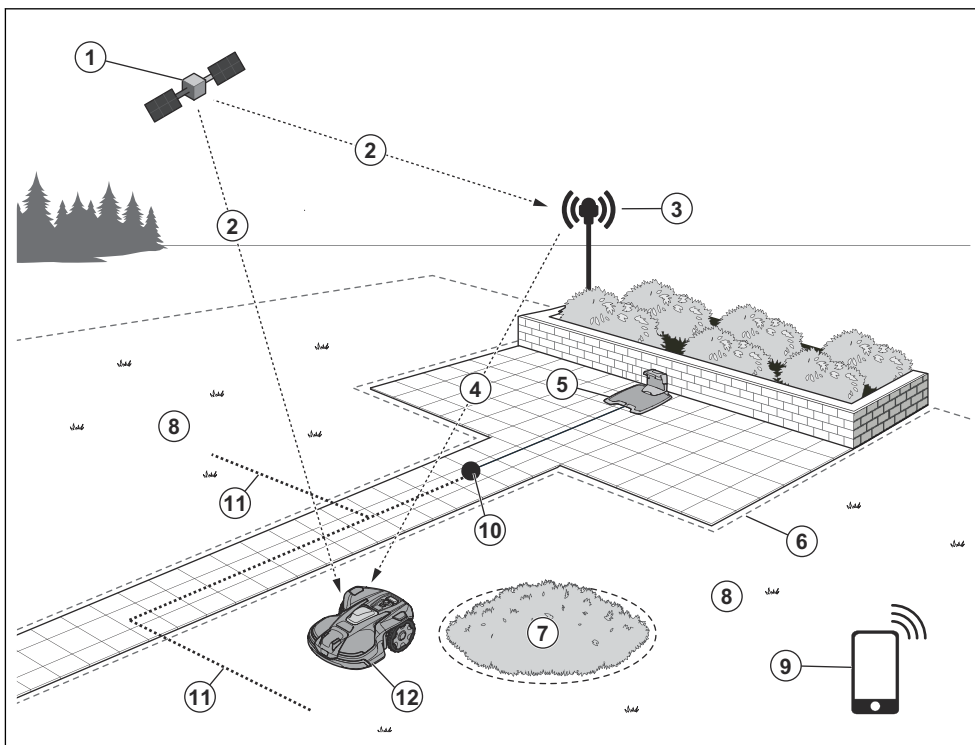
7. Strømforsyning<sup>12</sup>

8. Brugervejledning

<sup>11</sup> Købes separat. Udseendet kan være forskelligt fra model til model.

<sup>12</sup> Udseendet kan være forskelligt fra marked til marked.

## 19.1.5 Systemoversigt



1. Satellitter
2. Satellitsignaler
3. Referencestation
4. Korrektionsdata
5. Ladestation<sup>13</sup>
6. Virtuelle grænser
7. Stay-out zone
8. Arbejdsområde
9. Mobil enhed<sup>14</sup>
10. Dockingpunkt
11. Transportsti
12. Robotplæneklipper med EPOS™ Plug-in-kit<sup>15</sup>

### 19.1.6 Symboler på produktet

Disse symboler forekommer på produktet. Sørg for, at du forstår dem.



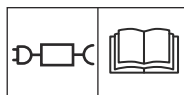
Produktet overholder gældende EU-direktiver.



Dette produkt overholder gældende UK-direktiver.



Det er ikke tilladt at bortskaffe dette produkt som almindeligt husholdningsaffald. Overhold de nationale bestemmelser, og brug det lokale genbrugssystem.



Brug en aftagelig strømforsyning, som defineret på typeskiltet ved siden af symbolet.

<sup>13</sup> Medfølger ikke.

<sup>14</sup> Medfølger ikke.

<sup>15</sup> Robotplæneklipper medfølger ikke.

**Bemærk:** Andre symboler/mærkater på produktet henviser til certificeringskrav på visse markeder.

### 19.1.7 Skader på produktet

Vi er ikke ansvarlige for skader på vores produkt, hvis:

- produktet er forkert repareret.

- produktet er repareret med dele, der ikke er fra producenten eller ikke er godkendt af producenten
- produktet har tilbehør, der ikke er fra producenten eller ikke er godkendt af producenten.
- produktet ikke er repareret på et godkendt servicecenter eller af en godkendt myndighed.

## 20 Installation

### 20.1 Introduktion – Installation



**ADVARSEL:** Læs, og sørg for at have forstået kapitlet om sikkerhed, før du installerer produktet.



**ADVARSEL:** Læs og forstå sikkerhedskapitlet i manualen til robotplæneklipperen, før du installerer produktet.



**BEMÆRK:** Brug originale reservedele og installationsmateriale.

**Bemærk:** Se [www.husqvarna.com](http://www.husqvarna.com) for mere information om installation.

### 20.2 Sådan undersøges, hvor referencestationen skal placeres



**BEMÆRK:** Hvis der er en lynafleder i nærheden, må referencestationen ikke installeres højere end lynaflederen.



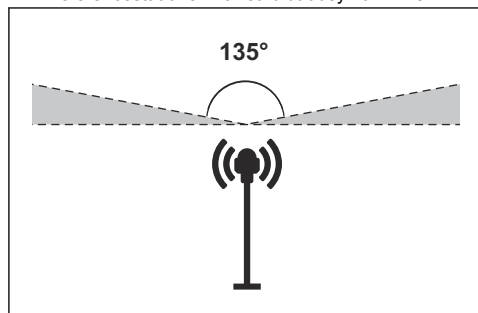
**BEMÆRK:** Undlad at installere referencestationen på en flagstang. Referencestationens bevægelser påvirker de korrektionsdata, der sendes til produktet med den nøjagtige position.

- Installer referencestationen på et fast objekt, som ikke kan flyttes eller roteres.
- Installer referencestationen på en stolpe eller en væg. Stolpen skal have en diameter på 27-36 mm for at passe til tilbehøret på referencestationen.

**Bemærk:** Hvis referencestationen er installeret på en væg, skal den øverste del af referencestationen være over væggen.

Metalgenstande kan forårsage interferens med referencestationens signal.

- Sørg for, at referencestationen har fuldt udsyn til himlen. Det er nødvendigt, at minimum 135 af referencestationen har et fuldt udsyn til himlen.



- Installer referencestationen i minimum 2 meters højde.
- Sørg for, at afstanden mellem referencestationen og robotplæneklipperen er mindre end 100 m. Genstande mellem referencestationen og robotplæneklipperen kan reducere afstanden.

### 20.3 Sådan undersøger du, hvor strømforsyningen skal placeres



**ADVARSEL:** Du må ikke klippe i lavspændingskablet. Der er risiko for elektrisk stød.



**BEMÆRK:** Sørg for, at klingerne på robotplæneklipperen ikke skærer i strømkablerne.

- Placer strømforsyningen i et område med et tag og med beskyttelse mod sol og regn.
- Placer strømforsyningen i et område med god ventilation.
- Anvend en fejlstrømsafbryder (RCD), når du tilslutter strømforsyningen til en stikkontakt.

- Træk om nødvendigt lavspændingskablet ud. Lavspændingskablet kan forlænges op til 100 m.

## 20.4 Installation af produktet

Læs og forstå instruktionerne om referencestationen. Se *Sådan undersøges, hvor referencestationen skal placeres på side 29*.

Læs instruktionsbogen for den robotplæneklipper, der skal bruges sammen med referencestationen.

Du kan installere referencestationen på en stolpe eller en væg.



**BEMÆRK:** Referencestationens bevægelser påvirker de korrektionsdata, der sendes til produktet med den nøjagtige position. Referencestationen skal installeres stramt på stolpen eller væggen.

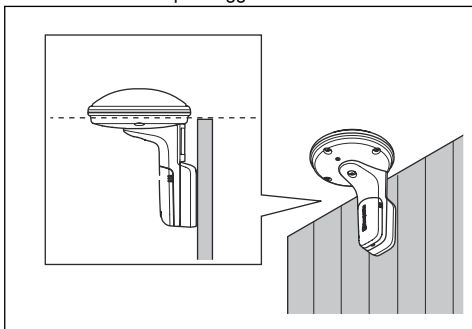


**BEMÆRK:** Elementerne på kortet skifter position, hvis du flytter referencestationen. Juster elementerne på kortet, eller udfør installationen igen i Automower® Connect appen.

### 20.4.1 Sådan monteres beslaget på en væg

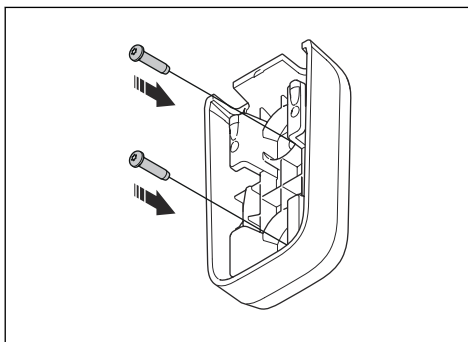
**Bemærk:** Skrue medfølger ikke. Brug skrue, der passer til vægmaterialet.

1. Hold armen på referencestationen på væggen. Sæt 2 mærker på væggen til de 2 skrue.



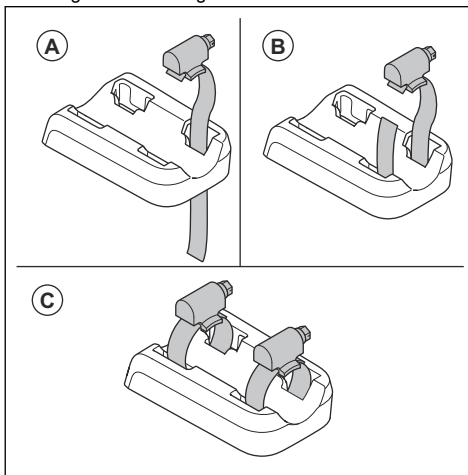
**Bemærk:** Sørg for, at den øverste del af referencestationen er over væggen.

2. Bor huller ved de 2 mærker i væggen til de 2 skrue.
3. Monter beslaget på væggen med de 2 skrue.

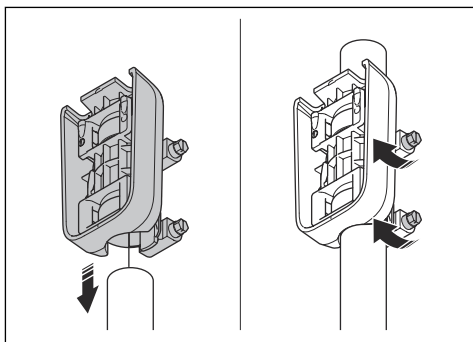


### 20.4.2 Sådan monteres beslaget på en stang

1. Fastgør stangen stramt til en væg, et tag eller jorden. Sørg for, at stangen ikke kan bevæge sig.
2. Før slangeklemmerne gennem åbningen på bagsiden af beslaget.

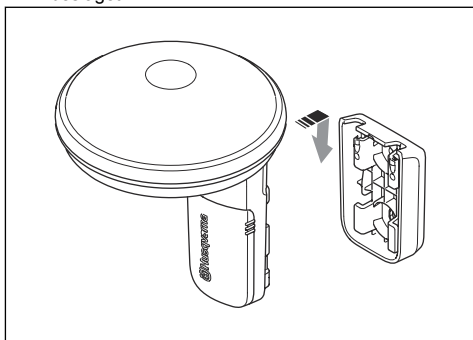


3. Fastgør beslaget på stangen, og spænd slangeklemmerne med en flad skruetrækker.

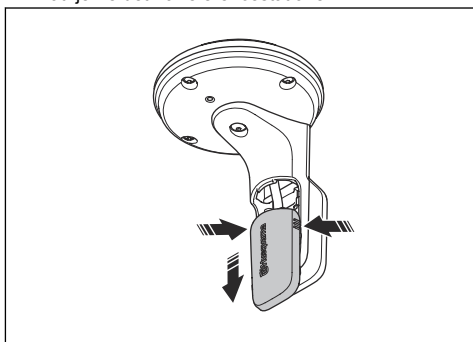


### 20.4.3 Sådan monteres referencestationen

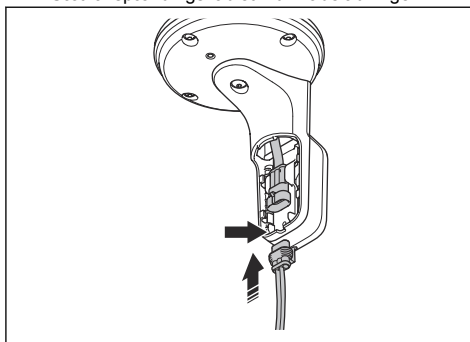
1. Hold referencestationen over beslaget, og juster armen på referencestationen i forhold til åbningerne i beslaget.
2. Skub referencestationen ned for at fastgøre den til beslaget.



3. Tryk og hold kabeldækslet nede, og flyt det ned for at fjerne det fra referencestationen.



4. Tilslut lavspændingskablet til referencestationen. Sæt lavspændingskablet ind i kabelåbningen.



5. Installer kabeldækslet.
6. Tilslut lavspændingskablet fra referencestationen til strømforsyningen.
7. Fastgør lavspændingskablet til væggen eller stangen med kabelbindere.



**BEMÆRK:** Hvis lavspændingskablet ikke er stramt forbundet med kabelbindere, kan det blive beskadiget i hård vind.

8. Anbring strømforsyningen 30-200 cm over jorden. Se *Sådan undersøger du, hvor strømforsyningen skal placeres på side 29*.
9. Tilslut strømforsyningskablet til en udendørs stikkontakt med 100-240 V.

**Bemærk:** LED-indikatoren på referencestationen blinker grønt i nogle minutter. LED-indikatoren lyser konstant grønt, når referencestationen er i drift. Se *LED-indikatorlampen på referencestationen på side 32*.

---

## 21 Vedligeholdelse

---

### 21.1 Sådan rengøres referencestationen

Husqvarna anbefaler at bruge et særligt rengørings- og vedligeholdelsessæt, der kan købes som tilbehør. Spørg Husqvarna-forhandleren for at få yderligere oplysninger.



**BEMÆRK:** Brug ikke en højtryksrensere til at rengøre produktet og ladestationen. Brug ikke opløsningsmiddel til rengøring.

- Hvis det er nødvendigt, skal du bruge en fugtig klud til at rengøre produktet.

---

## 22 Fejlfinding

---

### 22.1 LED-indikatorlampen på referencestationen

Lys	Status
Blinkende grønt lys	Opstart af referencestationen. Vent nogle minutter.
Konstant grønt lys	I drift.
Blinkende rødt lys	Referencestationen fungerer ikke på grund af en fejl. Frakobl netledningen, og tilslut den igen for at genstarte produktet. Hvis problemet fortsætter, skal du kontakte din godkendte forhandler.
Blinkende hvidt lys	Firmwareopdatering er nødvendig. Kontakt din lokale Husqvarna-repræsentant.
Blinkende gult lys	Kun for referencestation i repeater-tilstand: Referencestationen i repeater-tilstand har ingen tilslutning til hovedreferencestationen. Referencestationen er i opstartstilstand eller har ingen tilslutning til hovedreferencestationen. Hvis der ikke er tilslutning, skal du undersøge hovedreferencestationen eller den nærmeste repeater.

---

## 23 Opbevaring og bortskaffelse

---

### 23.1 Opbevaring

Hvis du opbevarer referencestationen indendørs, skal du beholde armen monteret på stolpen eller væggen for at kunne montere referencestationen på dens oprindelige position igen.

Hvis du opbevarer referencestationen udendørs om vinteren, anbefaler vi, at du holder strømforsyningen tilsluttet.

### 23.2 Bortskaffelse

Overhold de lokale krav til genanvendelse og de gældende regler.

---

## 24 Tekniske data

---

### 24.1 Tekniske data

Dimensioner	
Længde, cm	17
Bredde, cm.	16
Højde, cm.	22
Vægt, kg	0,5



<b>Produktdata</b>	
Type af strømforsyningsenhed	FW7313/28/D/XX/Y/1,3
Strømforsyningsindgang, V AC	100-240
Strømforsyningsudgang, V DC	28
Strømforsyningsudgang, A	1,3
Lavspændingskabel, længde, m	20
IP-kode referencestation	IPX5
IP-kode strømforsyningsenhed	IP44
Strømforbrug, W	2,8

<b>Frekvensbånd</b>	
Bluetooth® Frekvensområde (til service)	2400,0-2483,5 MHz
SRD868 (Europa)	863-870 MHz
SRD915 (Nordamerika)	902-928 MHz
SRD915 (Australien)	915-928 MHz
SRD915 (New Zealand)	915-928 MHz

<b>Strømklasse</b>	
Bluetooth® Udgangseffekt (til service)	8 dBm
SRD868 (Europa)	13 dBm
SRD915 (Nordamerika)	13 dBm
SRD915 (Australien)	13 dBm
SRD915 (New Zealand)	13 dBm

Der kan ikke garanteres fuld kompatibilitet mellem produktet og andre typer trådløse systemer som f.eks. fjernbetjeninger og radiosendere.

## 24.2 Registrerede varemærker

*Bluetooth®*-navnet og -logoerne er registrerede varemærker tilhørende *Bluetooth SIG, inc.*, og al Husqvarnas brug deraf sker på licens.

## 25 EU-overensstemmelseserklæring

### 25.1 Original EU-overensstemmelseserklæring

#### EU Declaration of Conformity

ROB-CEPOS\_RS1-24-1E

We, Husqvarna AB, SE 561 82 Huskvarna, SWEDEN, Tel. +46 36 146500 declare on our sole responsibility that the products:

Description	Communication kit
Brand	HUSQVARNA
Type / Model	HUSQVARNA EPOS™ RS1 Reference Station Type 19.3.1
Identification	Serial numbers dating from 2023 week 51

complies fully with the following EU directives and regulations:

Directive/Regulation	Description
2014/53/EU	"relating to radio equipment"
2011/65/EU	"restriction of use of certain hazardous substances"

and that the following standards and/or technical specifications are applied;

EN 62368-1:2014+A11:2017  
EN IEC 63000:2018  
EN 55032:2015  
ETSI EN 301 489-1 V1.9.2  
ETSI EN 301 489-1 V2.2.3  
ETSI EN 301 489-3 V2.3.2  
ETSI EN 301 489-17 V3.2.4  
ETSI EN 301 489-17 V3.2.6  
ETSI EN 301 489-19 V2.1.1  
ETSI EN 300 328 2.2.2  
ETSI EN 300 220-1 V3.1.1  
ETSI EN 300 220-2 V3.2.1  
ETSI EN 303 413 V1.2.1

  
Sara Gard (Mar 8, 2024 15:26 GMT+1)

Sara Gard  
Huskvarna

Director Residential EPAC Robotic R&D  
Husqvarna AB, Husqvarna Forest & Garden  
Responsible for technical documentation



## 25.2 Oversat EU-overensstemmelseserklæring

Vi, Husqvarna AB, SE 561 82 Huskvarna, SWEDEN,  
Tel. +46 36 146500, erklærer under eneansvar, at det  
pågældende produkt:

<b>Beskrivelse</b>	<b>Kommunikationssæt</b>
<b>Varemærke</b>	HUSQVARNA
<b>Type/model</b>	HUSQVARNA EPOS™ RS1 Reference Station Type 19.3.1
<b>Identifikation</b>	Serienumre fra 2023 uge 51

overholder følgende EU-direktiver og bestemmelser:

<b>Direktiv/bestemmelser</b>	<b>Beskrivelse</b>
2014/53/EU	"Vedrørende radioudstyr"
2011/65/EU	"Begrænsning af anvendelsen af visse farlige stoffer"

og at følgende standarder og/eller tekniske  
specifikationer anvendes;

- EN 62368-1:2014+A11:2017
- EN IEC 63000:2018
- EN 55032:2015
- ETSI EN 301 489-1 V1.9.2
- ETSI EN 301 489-1 V2.2.3
- ETSI EN 301 489-3 V2.3.2
- ETSI EN 301 489-17 V3.2.4
- ETSI EN 301 489-17 V3.2.6
- ETSI EN 301 489-19 V2.1.1
- ETSI EN 300 328 2.2.2
- ETSI EN 300 220-1 V3.1.1
- ETSI EN 300 220-2 V3.2.1
- ETSI EN 303 413 V1.2.1

Sara Gard

Huskvarna

Direktør for EPAC Robotic R&D Husqvarna AB,  
Huskvarna Forest & Garden, ansvarlig for teknisk  
dokumentation.



---

## Sisällys

---

26 Turvallisuus.....	36	30 Vianmääritys.....	43
27 Johdanto.....	37	31 Säilyttäminen ja hävittäminen.....	43
28 Asennus.....	40	32 Tekniset tiedot.....	43
29 Huolto.....	42	33 EU-vaatimustenmukaisuusvakuutus.....	45

---

## 26 Turvallisuus

---

### 26.1 Turvallisuusmääritelmät

Varoituksia, huomioita ja huomautuksia käytetään, kun jotakin käyttöohjeen osaa halutaan erityisesti korostaa.



**VAROITUS:** Tätä käytetään, jos käyttöohjeen noudattamatta jättämisestä voi seurata käyttäjän tai sivullisen vamma tai kuolema.



**HUOMAUTUS:** Tätä käytetään, jos käyttöohjeen noudattamatta jättämisestä voi seurata koneen, muiden materiaalien tai ympäristön vaurioituminen.

**Huomautus:** Tätä käytetään tietyissä tilanteissa tarvittavien lisätietojen antamiseen.

### 26.2 Yleiset turvallisuusohjeet



**VAROITUS:** Lue seuraavat varoitukset ennen tuotteen käyttöä.

- Noudata kansallisia sähköturvallisuutta koskevia säädöksiä.
- Laitetta saa käyttää vain Husqvarnan toimittaman virtalähteen kanssa.
- Tuotetta saa käyttää ainoastaan valmistajan suosittelemien laitteiden kanssa. Kaikki muut käyttötavat ovat epäasianmukaisia. Valmistajan käyttöä ja huoltoa koskevia ohjeita on noudatettava täsmällisesti.
- Tuotetta saavat käyttää, huoltaa ja korjata ainoastaan henkilöt, jotka ovat täysin perehtyneet sen erikoisominaisuuksiin ja turvallisuusmääräyksiin. Lue käyttöohje huolellisesti ja varmista, että ymmärrät sen sisällön, ennen kuin alat käyttää tuotetta.
- Husqvarna ei takaa laitteen täyttä yhteensopivuutta muiden langattomien järjestelmien, kuten kaukosäätimien,

radiolähettimien, kuulolaitteiden, upotettujen sähköaitojen tai vastaavien kanssa.

- Laitteen alkuperäiseen rakenteeseen ei saa tehdä muutoksia. Kaikki muutokset tapahtuvat omalla vastuulla.
- Tarkasta tuote vaurioiden varalta ennen kuin käynnistät sen. Älä käytä tuotetta, jos se on viallinen.
- Käyttölämpötila on  $-20...45$  °C. Säilytyslämpötila on  $-20...70$  °C.

### 26.3 Asennuksen turvallisuusohjeet



**VAROITUS:** Lue seuraavat varoitukset ennen tuotteen käyttöä.

- Älä aseta virtalähdettä paikkaan, jossa se voi kastua. Älä aseta virtalähdettä maahan.
- Älä koteloi virtalähdettä. Kondensoitunut vesi voi vahingoittaa virtalähdettä ja lisätä sähköiskun vaaraa.
- Sähköiskun vaara. Käytä aina vikavirtasuojakytkintä (RCD), kun kytket virtalähteen pistorasiaan. Koskee Yhdysvaltoja/ Kanadaa. Jos virtalähde on asennettu ulos: Sähköiskun vaara. Asennus vain suojattuun A-luokan vikavirtasuojakatkaisimilla varustettuun pistorasiaan (RCD), jonka suojus on säänkestävä riippumatta siitä onko pistotulpan suojus kiinnitetty vai ei.
- Varmista, että matalajännitekaapelin ja virtalähteen pistokkeet ovat puhtaita ja kuivia ennen niiden kytkemistä.
- Viiteaseman asennuksen aikana on esineiden putoamisvaara. Seurauksena voi olla loukkaantuminen.
- Virtajohdon ja jatkojohdon on oltava työalueen ulkopuolella, jotta ne eivät vaurioidu.
- Jos viiteasema asennetaan korkealle, tilanteesta aiheutuu putoamisvaara. Varmista vakaa asento, kun asennat viiteasemaa.

## 26.4 Huollon turvallisuusohjeet



**VAROITUS:** Lue seuraavat varoitukset ennen tuotteen käyttöä.

- Irrota laite virtalähteestä ennen kuin puhdistat tai huollat laitetta.

## 26.5 Ukkosen sattuessa

Viiteaseman sähköosien vahingoittumisriskin pienentämiseksi suosittelemme, että viiteaseman virransyöttö katkaistaan, jos ukonilma on mahdollinen. Kytke virtalähde uudelleen, kun ukonilman riskiä ei enää ole.

## 27 Johdanto

### 27.1 Johdanto

Sarjanumero:	
Tuotenumero:	

Sarjanumero on tuotteen tyyppikilvessä ja pakkauksessa. Käytä sarjanumeroa, kun rekisteröit tuotteen osoitteessa [www.husqvarna.com](http://www.husqvarna.com).

#### 27.1.1 Tukipalvelut

Voit kysyä Husqvarna-tuotteen huoltopalveluista huoltoliikkeessä.

#### 27.1.2 Tuotekuvaus

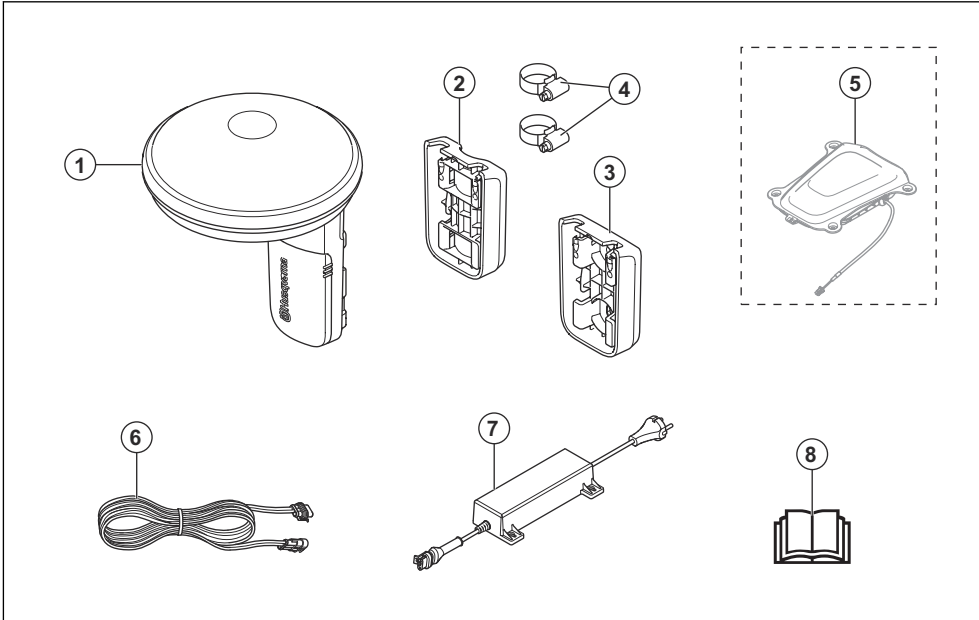
**Huomautus:** Husqvarna päivittää tuotteidensa ulkonäköä ja toimintoja säännöllisesti. Katso kohta *Tukipalvelut sivulla 37*.

#### 27.1.3 Järjestelmän kuvaus

EPOS™-järjestelmä sisältää robottiruohonleikkurin, latausaseman ja viiteaseman. Robottiruohonleikkuri ja viiteasema vastaanottavat satelliittisignaaleja asemointia varten. Viiteasema on paikallaan ja lähettää korjaustietoja robottiruohonleikkurille tarkan sijainnin saamiseksi ruohonleikkurille. Työalue luodaan virtuaalisesti sovelluksessa käyttämällä tuotetta ja lisäämällä reittipisteitä kartan luomiseksi sovelluksessa.

EPOS™-viiteasema vastaanottaa satelliittisignaaleja ja lähettää korjaustietoja robottiruohonleikkurille.

## 27.1.4 Tuotteen kuvaus

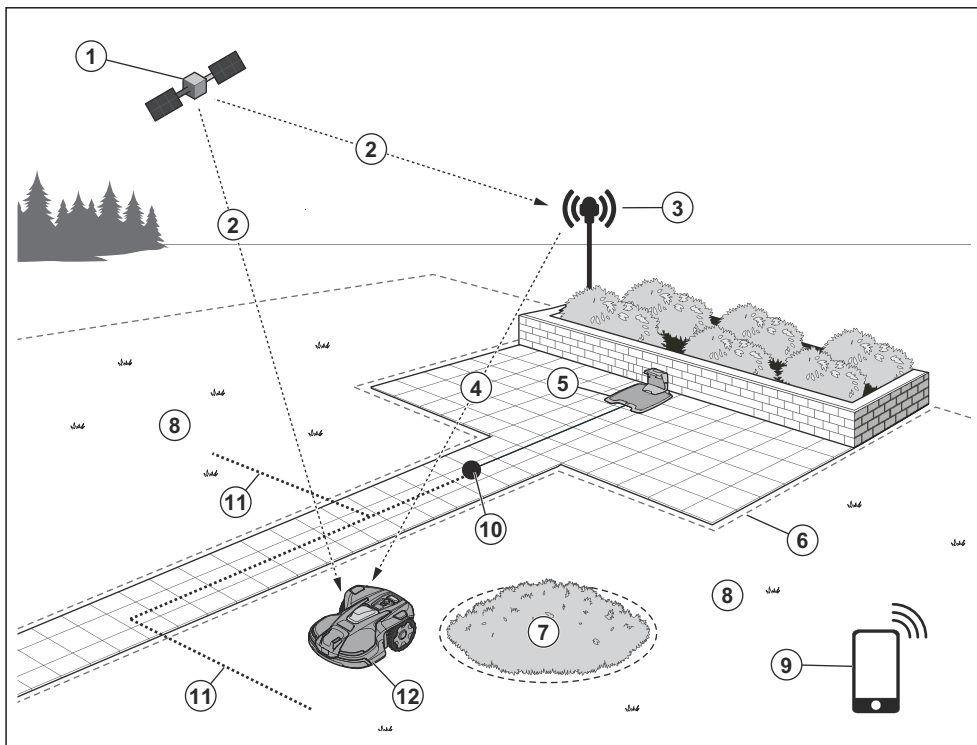


1. Viiteasema
2. Tolppateline
3. Seinäteline
4. Letkunkiristimet
5. Automower® EPOS™ Plug-in<sup>16</sup>
6. Matalajännitekaapeli
7. Virtalähde<sup>17</sup>
8. Käyttöohjekirja

<sup>16</sup> Ostettava erikseen. Ulkoasu voi olla erilainen eri malleissa.

<sup>17</sup> Ulkoasu voi olla erilainen eri markkinoilla.

## 27.1.5 Järjestelmän yleiskatsaus



1. Satelliitit
2. Satelliittisignaalit
3. Viiteasema
4. Korjaustiedot
5. Latausasema<sup>18</sup>
6. Virtuaalinen raja
7. Kielletty alue
8. Työalue
9. Mobiililaitte<sup>19</sup>
10. Telakointipiste
11. Kulkureitti
12. Robottiruohonleikkuri ja EPOS™ Plug-in -sarja<sup>20</sup>

### 27.1.6 Laitteen symbolit

Nämä symbolit ovat laitteessa. Varmista, että ymmärrät, mitä ne tarkoittavat.



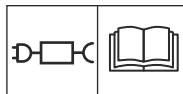
Laitte täyttää sovellettavien EU-direktiivien vaatimukset.



Laitte täyttää sovellettavien UK-direktiivien vaatimukset.



Laitetta ei saa hävittää normaalin kotitalousjätteen mukana. Noudata kansallisia säädöksiä ja käytä paikallista kierrätysjärjestelmää.



Käytä irrotettavaa virtalähdettä symbolin vieressä olevassa tyyppikilvessä määritetyllä tavalla.

<sup>18</sup> Ei sisälly.

<sup>19</sup> Ei sisälly.

<sup>20</sup> Robottiruohonleikkuri ei sisälly toimitukseen.

**Huomautus:** Muita laitteen symboleita/tarroja tarvitaan joillakin markkina-alueilla ilmaisemaan sertifiointivaatimuksia.

### 27.1.7 Tuotteen vaurioituminen

Emme ole vastuussa tuotteen vaurioitumisesta, jos:

- tuote on korjattu virheellisesti
- tuotteen korjaamiseen on käytetty muita kuin valmistajan omia tai sen hyväksymiä osia
- tuotteessa on muu kuin valmistajan oma tai sen hyväksymä lisävaruste
- tuotetta ei ole korjattu valtuutetussa huoltopisteessä tai hyväksytyllä asiantuntijalla.

## 28 Asennus

### 28.1 Johdanto – Asennus



**VAROITUS:** Lue ja sisäistä turvallisuutta käsittelevä luku ennen tuotteen asentamista.



**VAROITUS:** Lue ja sisäistä käyttöoppaan robottiruohonleikkurin turvallisuutta käsittelevä luku ennen tuotteen asentamista.



**HUOMAUTUS:** Käytä alkuperäisiä varaosia ja asennusmateriaaleja.

**Huomautus:** Lisätietoja asennuksesta on osoitteessa [www.husqvarna.com](http://www.husqvarna.com).

### 28.2 Viiteaseman paikan määrittäminen



**HUOMAUTUS:** Jos lähellä on ukkosenjohdin, älä asenna viiteasemaa ukkosenjohdinta korkeammalle.

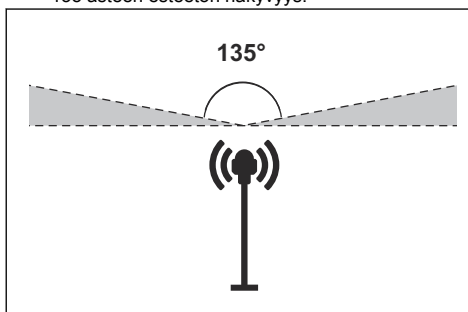


**HUOMAUTUS:** Älä asenna viiteasemaa lipputankoon. Viiteaseman liikkeet vaikuttavat laitteeseen lähetettyihin tarkan sijainnin sisältäviin korjaustietoihin.

- Asenna viiteasema kiinteään esineeseen, joka ei voi liikkua tai kääntyä.
- Asenna viiteasema tolppaan tai aitaan. Tolpan on oltava halkaisijaltaan 27-36 mm / 1.1-2.2 in, jotta viiteaseman kiinnikkeet sopivat siihen.

**Huomautus:** Jos viiteasema asennetaan aitaan, viiteaseman yläosan on yletyttävä aidan yläpuolelle. Metalliesineet voivat häiritä viiteaseman signaalia.

- Varmista, että viiteaseman kohdalla on esteetön näkyvä taivaalle. Taivaalle on oltava vähintään 135 asteen esteetön näkyvyys.



- Asenna viiteasema vähintään 2 metrin / 6.5 jalan korkeuteen.
- Varmista, että viiteaseman ja robottiruohonleikkurin välinen etäisyys on alle 100 m / 330 ft. Viiteaseman ja robottiruohonleikkurin välissä olevat kohteet voivat lyhentää etäisyyttä.

### 28.3 Virtalähteen paikan määrittäminen



**VAROITUS:** Älä leikkaa matalajännitekaapelia. Sähköiskun vaara on olemassa.



**HUOMAUTUS:** Varmista, että robottiruohonleikkurin terät eivät katkaise virtajohtoja.

- Aseta virtalähde paikkaan, jossa on katto ja jossa se suojassa auringonvalolta ja sateelta.
- Aseta virtalähde paikkaan, jossa on hyvä ilmanvaihto.
- Käytä vikavirtasuojaa, kun kytket virtalähteen pistorasiaan.
- Pidennä matalajännitekaapelia tarvittaessa. Matalajännitekaapelia voidaan pidentää korkeintaan 100 metriä.



## 28.4 Laitteen asennus

Lue ja sisäistä viiteasemaa koskevat ohjeet. Katso kohta *Viiteaseman paikan määrittäminen sivulla 40*.

Lue viiteaseman kanssa käytettävän robottiruohonleikkurin käyttöohje.

Voit asentaa viiteaseman tolppaan tai aitaan.



**HUOMAUTUS:** Viiteaseman liikkeet vaikuttavat laitteeseen lähetettyihin tarkan sijainnin sisältäviin korjaustietoihin. Viiteasema on asennettava tiukasti tolppaan tai aitaan.

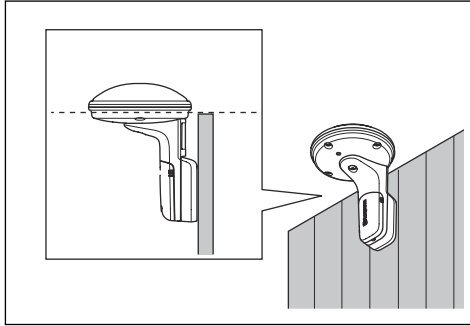


**HUOMAUTUS:** Kartan kohteet muuttavat sijaintia, jos siirrät viiteasemaa. Säädä kartan kohteita tai tee asennus uudelleen Automower® Connect -sovelluksessa.

### 28.4.1 Tuotteen asennus seinään

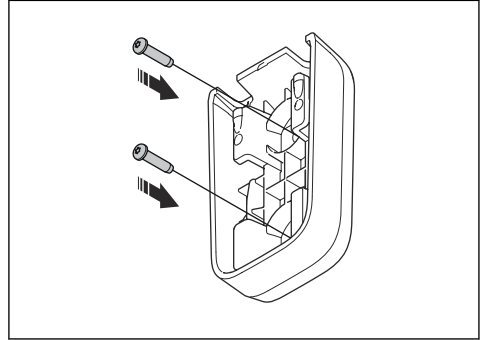
**Huomautus:** Ruuvit eivät sisälly toimitukseen. Käytä seinämateriaalille soveltuvia ruuveja.

1. Pitele viiteaseman vartta seinää vasten. Tee seinään kaksi merkkiä kahta ruuvia varten.



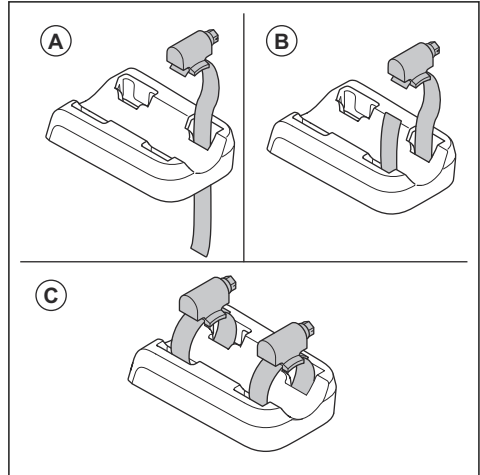
**Huomautus:** Varmista, että viiteaseman yläosa ulottuu seinämän yläpuolelle.

2. Pora seinämään reiät kahden merkin kohdalle kahta ruuvia varten.
3. Asenna tuote seinämään kahdella ruuvilla.

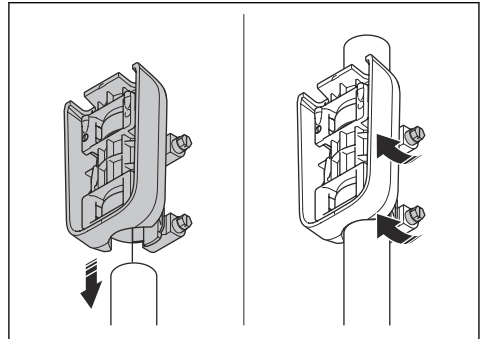


### 28.4.2 Tuotteen asennus tolppaan

1. Kiinnitä tolppa tiukasti aitaan, katolle tai maahan. Varmista, että tolppa ei pääse liikkumaan.
2. Pujota letkunkiristimet telineen takaosan aukon läpi.

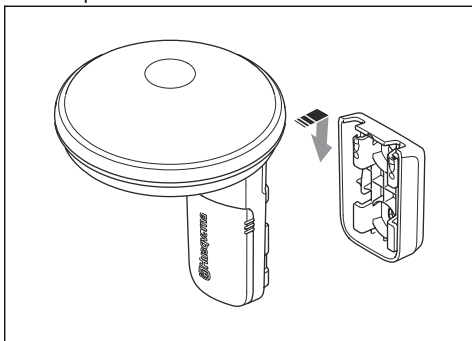


3. Kiinnitä teline tolppaan ja kiristä letkunkiristimet tasapäisellä ruuvimeisselillä.

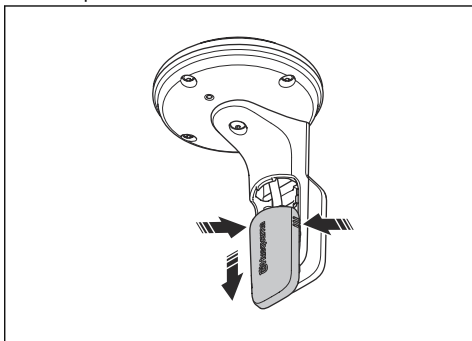


### 28.4.3 Viiteaseman asennus

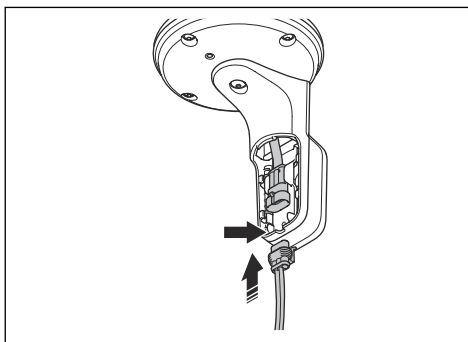
1. Pidä viiteasemaa telineen yläpuolella ja kohdista viiteaseman varsi kohdakkain telineen aukkojen kanssa.
2. Kiinnitä viiteasema telineeseen painamalla sitä alaspäin.



3. Pidä kaapelisuojusta painettuna ja siirrä sitä alaspäin irrottaaksesi sen viiteasemasta.



4. Kytke matalajännitekaapeli viiteasemaan. Aseta matalajännitekaapeli kaapelipidikkeeseen.



5. Asenna kaapelisuojaus.
6. Liitä matalajännitekaapeli viiteasemasta ja virtalähteeseen.
7. Kiinnitä matalajännitekaapeli seinään tai tolppaan nippusiteillä.



**HUOMAUTUS:** Jos matalajännitekaapelia ei ole kiinnitetty tiukasti nippusiteillä, se voi vaurioitua kovassa tuulessa.

8. Aseta virtalähde 30-200 cm / 1-6.5 jalan korkeudelle maanpinnasta. Katso kohta *Virtalähteen paikan määrittäminen sivulla 40*.
9. Liitä virtajohto 100–240 voltin pistorasiaan.

**Huomautus:** Viiteaseman LED-merkkivalo vilkkuu vihreänä muutaman minuutin ajan. LED-merkkivalo palaa vihreänä, kun viiteasema on toiminnassa. Katso kohta *Viiteaseman LED-merkkivalo sivulla 43*.

## 29 Huolto

### 29.1 Viiteaseman puhdistaminen

Husqvarna suosittelee käyttämään lisävarusteena saatavaa erityistä puhdistus- ja huoltosarjaa. Lisätietoja saat Husqvarna-jälkeenmyyjältä.



**HUOMAUTUS:** Älä käytä laitteen tai latausaseman puhdistamiseen painepesuria. Älä käytä puhdistamiseen liuotinta.

- Puhdista tuote tarvittaessa kostealla liinalla.

## 30 Vianmääritys

### 30.1 Viiteaseman LED-merkkivalo

Merkkivalo	Tila
Vihreä vilkkuva valo	Viiteaseman käynnistys. Odota hetki.
Vihreä jatkuva valo	Käynnissä.
Punainen vilkkuva valo	Viiteasemassa on virhe ja se ei toimi. Irrota virtajohto ja kytke se uudelleen käynnistääksesi tuotteen uudelleen. Jos ongelma jatkuu, ota yhteys hyväksytyyn huoltoliikkeeseen.
Valkoinen vilkkuva valo	Laiteohjelmisto on päivitettävä. Ota yhteyttä paikalliseen Husqvarna-edustajaasi.
Keltainen vilkkuva valo	Koskee vain toistintilassa olevaa viiteasemaa: Toistintilassa olevalla viiteasemalla ei ole yhteyttä pääviiteasemaan. Viiteasema on käynnistystilassa tai sillä ei ole yhteyttä pääviiteasemaan. Jos yhteyttä ei ole, tarkasta pääviiteasema tai lähin toistin.

## 31 Säilyttäminen ja hävittäminen

### 31.1 Säilytys

Jos varastoit viiteaseman sisätiloihin, pidä varsi asennettuna tolppaan tai aitaan, jotta voit asentaa viiteaseman uudelleen alkuperäiseen paikkaansa.

Jos jätät viiteaseman ulos talven ajaksi, suosittelemme pitämään virtalähteen kytkettynä.

### 31.2 Hävittäminen

Noudata paikallisia kierrätysvaatimuksia ja säädöksiä.

## 32 Tekniset tiedot

### 32.1 Tekniset tiedot

Mitat	
Pituus, cm / in.	17 / 6,7
Leveys, cm / in.	16 / 6,3
Korkeus, cm / in.	22/8,7
Paino, kg / lb	0,5 / 1,1

<b>Tuotetiedot</b>	
Virtalähteen tyyppi	FW7313/28/D/XX/Y/1.3
Virtalähteen tulo, V AC	100–240
Virtalähteen lähtö, V DC	28
Virtalähteen lähtö, A	1,3
Matalajännitekaapelin pituus, m / ft	20 / 66
IP-luokitus, viiteasema	IPX5
IP-luokitus, virtalähde	IP44
Virrankulutus, W	2,8

<b>Tuetut taajuusalueet</b>	
Bluetooth®-taajuusalue (huoltoon varten)	2400,0–2483,5 MHz
SRD868 (Eurooppa)	863–870 MHz
SRD915 (Pohjois-Amerikka)	902–928 MHz
SRD915 (Australia)	915–928 MHz
SRD915 (Uusi-Seelanti)	915–928 MHz

<b>Teholuokka</b>	
Bluetooth®-lähtöteho (huoltoon varten)	8 dBm
SRD868 (Eurooppa)	13 dBm
SRD915 (Pohjois-Amerikka)	13 dBm
SRD915 (Australia)	13 dBm
SRD915 (Uusi-Seelanti)	13 dBm

Tuotteen ja muiden langattomien järjestelmien, kuten kaukosäätimien ja radiolähtimien, täydellistä yhteensopivuutta ei voida taata.

## 32.2 Rekisteröidyt tavaramerkit

Bluetooth®-sanamerkki ja -logot ovat *Bluetooth SIG, inc.*:n omistamia rekisteröityjä tavaramerkkejä. Husqvarna käyttää kyseisiä merkkejä luvanvaraisesti.

## 33 EU-vaatimustenmukaisuusvakuutus

### 33.1 Alkuperäinen EU-vaatimustenmukaisuusvakuutus

#### EU Declaration of Conformity

ROB-CEPOS\_RS1-24-1E

We, Husqvarna AB, SE 561 82 Huskvarna, SWEDEN, Tel. +46 36 146500 declare on our sole responsibility that the products:

Description	Communication kit
Brand	HUSQVARNA
Type / Model	HUSQVARNA EPOS™ RS1 Reference Station Type 19.3.1
Identification	Serial numbers dating from 2023 week 51

complies fully with the following EU directives and regulations:

Directive/Regulation	Description
2014/53/EU	"relating to radio equipment"
2011/65/EU	"restriction of use of certain hazardous substances"

and that the following standards and/or technical specifications are applied;

EN 62368-1:2014+A11:2017  
EN IEC 63000:2018  
EN 55032:2015  
ETSI EN 301 489-1 V1.9.2  
ETSI EN 301 489-1 V2.2.3  
ETSI EN 301 489-3 V2.3.2  
ETSI EN 301 489-17 V3.2.4  
ETSI EN 301 489-17 V3.2.6  
ETSI EN 301 489-19 V2.1.1  
ETSI EN 300 328 2.2.2  
ETSI EN 300 220-1 V3.1.1  
ETSI EN 300 220-2 V3.2.1  
ETSI EN 303 413 V1.2.1

  
Sara Gard (Mar 6, 2024 15:26 GMT+1)

Sara Gard  
Huskvarna

Director Residential EPAC Robotic R&D  
Husqvarna AB, Husqvarna Forest & Garden  
Responsible for technical documentation



## 33.2 Käännetty EU-vaatimustenmukaisuusvakuutus

Husqvarna AB, SE 561 82 Huskvarna, SWEDEN, Tel.  
+46 36 146500 vakuuttaa täten, että tuote:

<b>Kuvaus</b>	<b>Tiedonsiirtosarja</b>
<b>Tuotemerkki</b>	HUSQVARNA
<b>Tyyppi/malli</b>	HUSQVARNA EPOS™ RS1 Reference Station Type 19.3.1
<b>Tunniste</b>	Sarjanumerot alkaen 2023 viikosta 51

vastaavat täysin seuraavien EU:n direktiivien ja  
asetusten vaatimuksia:

<b>Direktiivi/asetus</b>	<b>Kuvaus</b>
2014/53/EU	Radiolaitteita koskeva direktiivi
2011/65/EU	Tiettyjen vaarallisten aineiden käytön rajoittamisesta annettu direktiivi

ja että asiassa sovelletaan seuraavia standardeja ja/tai  
teknisiä tietoja:

- EN 62368-1:2014+A11:2017
- EN IEC 63000:2018
- EN 55032:2015
- ETSI EN 301 489-1 V1.9.2
- ETSI EN 301 489-1 V2.2.3
- ETSI EN 301 489-3 V2.3.2
- ETSI EN 301 489-17 V3.2.4
- ETSI EN 301 489-17 V3.2.6
- ETSI EN 301 489-19 V2.1.1
- ETSI EN 300 328 2.2.2
- ETSI EN 300 220-1 V3.1.1
- ETSI EN 300 220-2 V3.2.1
- ETSI EN 303 413 V1.2.1

Sara Gard

Huskvarna

Teknisestä dokumentaatiosta vastaava johtaja,  
Residential EPAC Robotic R&D Husqvarna AB,  
Husqvarna Forest & Garden.



---

## INNHold

---

34 Sikkerhet.....	47	38 Feilsøking.....	54
35 Innledning.....	48	39 Oppbevaring og kassering.....	54
36 Installasjon.....	51	40 Tekniske data.....	55
37 Vedlikehold.....	54	41 EU-samsvarserklæring.....	56

---

### 34 Sikkerhet

---

#### 34.1 Sikkerhetsdefinisjoner

Advarsler, oppfordringer og merknader brukes for å understreke spesielt viktige deler av bruksanvisningen.



**ADVARSEL:** Brukes hvis det er fare for personskade eller død for brukeren eller andre personer om instruksjonene i håndboken ikke følges.



**OBS:** Brukes hvis det er fare for skade på produktet, annet materiell eller nærliggende områder om instruksjonene i håndboken ikke følges.

**Merk:** Brukes for å gi mer nødvendig informasjon for en spesifikk situasjon.

#### 34.2 Generelle sikkerhetsinstruksjoner



**ADVARSEL:** Les de følgende advarselsinstruksjonene før du bruker produktet.

- Følg nasjonale forskrifter om elektrisk sikkerhet.
- Produktet skal bare brukes med en strømforsyningsenhet fra Husqvarna.
- Produktet må bare brukes med utstyr som er anbefalt av produsenten. Alle andre typer bruk er feil. Produsentens instruksjoner om bruk og vedlikehold må følges nøye.
- Produktet må bare brukes, vedlikeholdes og repareres av personer som er godt kjent med enhetens spesielle egenskaper og sikkerhetsbestemmelser. Les nøye gjennom bruksanvisningen, og forstå innholdet før du bruker produktet.
- Husqvarna garanterer ikke at produktet er fullt kompatibelt med andre typer trådløse systemer, som fjernkontroller, radiosendere, teleslynger, nedgravde elektriske dyregjerder og lignende.

- Det er ikke tillatt å endre produktets opprinnelige utforming. Alle endringer foretas på egen risiko.
- Se etter skader på produktet før du starter det. Ikke bruk produktet hvis det er skadet.
- Driftstemperaturen er  $-20\text{ }^{\circ}\text{C}$  til  $45\text{ }^{\circ}\text{C}$  /  $-4\text{ }^{\circ}\text{F}$  til  $113\text{ }^{\circ}\text{F}$ . Oppbevaringstemperaturen er  $-20\text{ }^{\circ}\text{C}$  til  $70\text{ }^{\circ}\text{C}$  /  $-4\text{ }^{\circ}\text{F}$  til  $158\text{ }^{\circ}\text{F}$ .

#### 34.3 Sikkerhetsinstruksjoner for installasjon



**ADVARSEL:** Les de følgende advarselsinstruksjonene før du bruker produktet.

- Ikke plasser strømforsyningen på et sted der det er fare for at den kan bli våt. Ikke plasser strømforsyningen på bakken.
- Ikke kapsle inn strømtilførselen. Kondens kan skade strømtilførselen og øke risikoen for støt
- Fare for elektrisk støt. Installer bare til en reststrømenhet (RCD) når du kobler strømforsyningen til stikkontakten. Gjelder for USA/Canada. Hvis strømforsyningen er installert utendørs: Fare for elektrisk støt. Installer bare til en dekket klasse A GFCI-stikkontakt (RCD) som har et avlukke som er værbestandig, med hetten på tilkoblingspluggen satt inn eller fjernet.
- Kontroller at pluggene til lavspenningskabelen og strømforsyningsenheten er rene og tørre før du kobler dem til.
- Under installasjonen av referansestasjonen er det fare for fallende gjenstander. Dette kan føre til personskade.
- Strømforsyningskabelen og skjøteledningen må være utenfor arbeidsområdet for å unngå skader på kablene.
- Når referansestasjonen installeres høyt, er det fare for at den kan falle ned. Sørg for at du står stabilt når du installerer referansestasjonen.

## 34.4 Sikkerhetsinstruksjoner for vedlikehold



**ADVARSEL:** Les de følgende advarelinstruksjonene før du bruker produktet.

- Koble produktet fra strømforsyningen før du rengjør det eller utfører vedlikehold av det.

## 34.5 I tilfelle tordenvær

For å redusere faren for skade på de elektriske komponentene i referansestasjonen, anbefaler vi at strømforsyningen til referansestasjonen kobles fra hvis det er fare for tordenvær. Koble strømforsyningen til igjen når det ikke lenger er fare for tordenvær.

# 35 Innledning

## 35.1 Innledning

<b>Serienummer:</b>	
<b>Produktnummer:</b>	

Du finner serienummeret på typeskiltet og på produktkartongen. Bruk serienummeret for å registrere produktet ditt på [www.husqvarna.com](http://www.husqvarna.com).

### 35.1.1 Støtte

Hvis du ønsker støtte for produktet, kan du snakke med Husqvarna-serviceforhandleren din.

### 35.1.2 Produktbeskrivelse

**Merk:** Husqvarna oppdaterer jevnlig utseendet og funksjonen til produktene. Se *Støtte på side 48*.

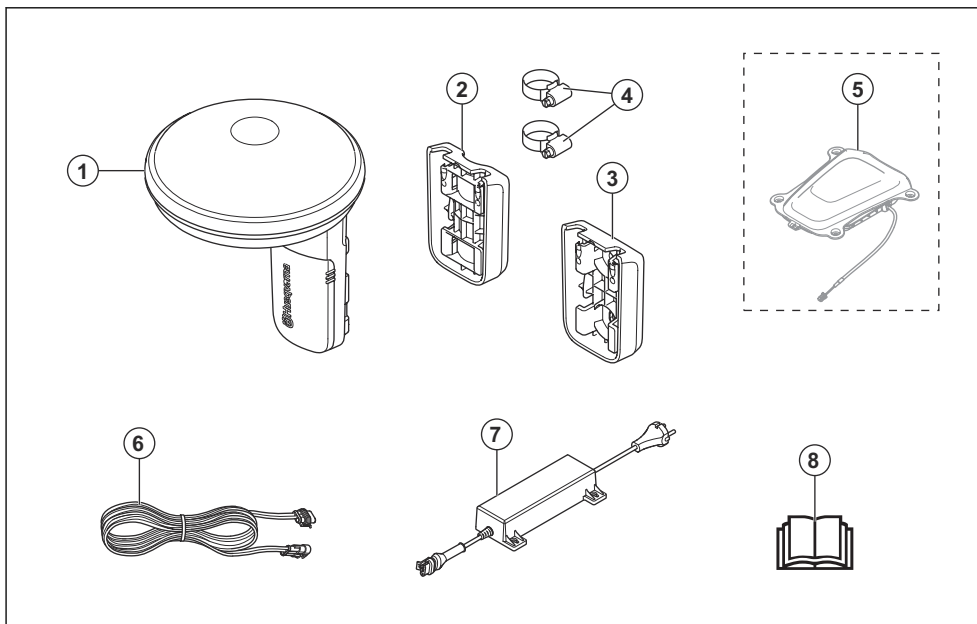
EPOS™-referansestasjonen mottar satellittsignaler og sender korreksjonsdata til robotgressklipperen.

### 35.1.3 Systembeskrivelse

EPOS™-systemet inneholder en robotgressklipper, en ladestasjon og en referansestasjon. Robotgressklipperen og referansestasjonen mottar satellittsignaler for posisjonering. Referansestasjonen er stasjonær og sender korrigeringsdata til robotgressklipperen for å få en nøyaktig posisjon for klipperen. Arbeidsområdet opprettes virtuelt i en app. Dette gjøres ved å bruke produktet og legge til veipunkter for å lage et kart i appen.



### 35.1.4 Produktoversikt

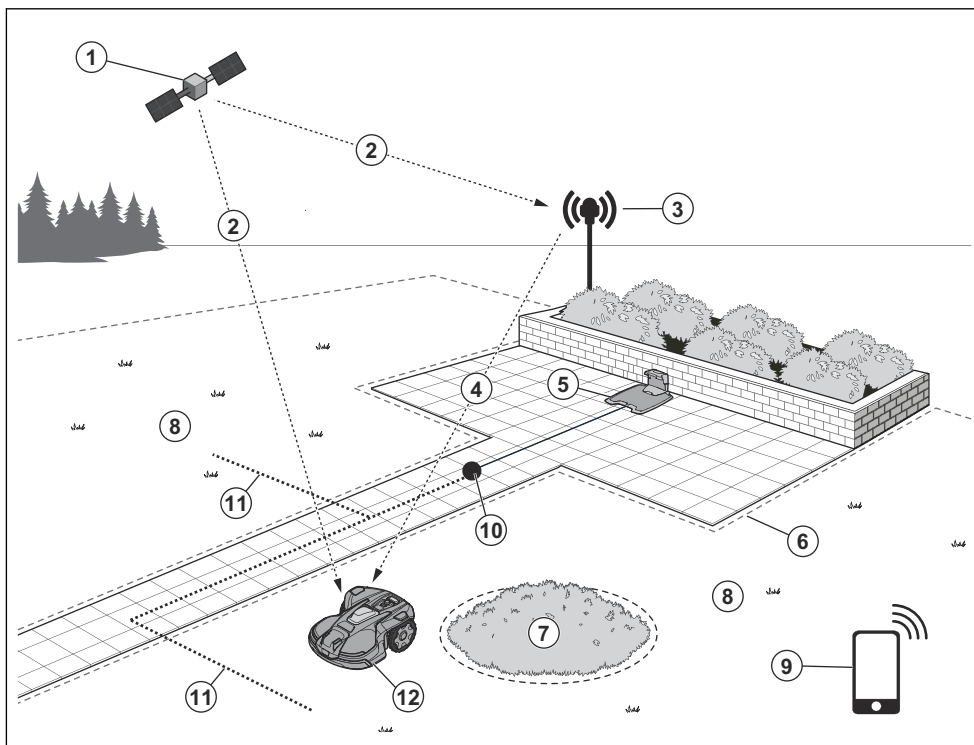


1. Referansestasjon
2. Stangbrakett
3. Veggbrakett
4. Slangeklemmer
5. Automower® EPOS™ Plug-in<sup>21</sup>
6. Lavspenningskabel
7. Strømforsyning<sup>22</sup>
8. Bruksanvisning

<sup>21</sup> Kjøpes separat. Utseendet kan være forskjellig for ulike modeller.

<sup>22</sup> Utseendet kan være forskjellig for ulike markeder.

## 35.1.5 Systemoversikt



1. Satellitter
2. Satellittsignaler
3. Referansestasjon
4. Korreksjonsdata
5. Ladestasjon<sup>23</sup>
6. Virtuell grense
7. Soner som ikke skal klippes
8. Arbeidsområde
9. Mobilenhet<sup>24</sup>
10. Dokkingpunkt
11. Transportvei
12. Robotgressklipper med EPOS™ Plug-in-sett<sup>25</sup>

### 35.1.6 Symboler på produktet

Disse symbolene finnes på produktet. Sørg for at du forstår dem.



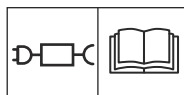
Dette produktet samsvarer med gjeldende EU-direktiver.



Dette produktet samsvarer med gjeldende UK-direktiver.



Det er ikke tillatt å kaste dette produktet som vanlig husholdningsavfall. Følg nasjonale forskrifter, og bruk det lokale gjenvinningssystemet.



Bruk en avtakbar strømtilførsel som angitt på typeskiltet ved siden av symbolet.

<sup>23</sup> Ikke inkludert

<sup>24</sup> Ikke inkludert

<sup>25</sup> Robotgressklipper følger ikke med.

**Merk:** Øvrige symboler/klistremer angitt på produktet gjelder sertifiseringskrav for visse markeder.

### 35.1.7 Skader på produktet

Vi er ikke ansvarlige for skader på produktet vårt hvis:

- Produktet er reparert på feil måte.

- Produktet er reparert med deler som ikke kommer fra produsenten eller som ikke er godkjent av produsenten.
- Produktet har et tilbehør som ikke kommer fra produsenten eller som ikke er godkjent av produsenten.
- Produktet er ikke reparert på et godkjent servicesenter eller av en godkjent aktør.

## 36 Installasjon

### 36.1 Innledning – installasjon



**ADVARSEL:** Les og forstå kapittelet om sikkerhet før du installerer produktet.



**ADVARSEL:** Les og forstå kapittelet om sikkerhet i håndboken for robotgressklipperen før du installerer produktet.



**OBS:** Bruk originale reservedeler og originalt installasjonsmateriale.

**Merk:** Se [www.husqvarna.com](http://www.husqvarna.com) for mer informasjon om installasjon.

### 36.2 Slik finner du ut hvor du skal plassere referansestasjonen



**OBS:** Hvis det står en lynavleder i nærheten, må du ikke installere referansestasjonen høyere enn lynavlederen.



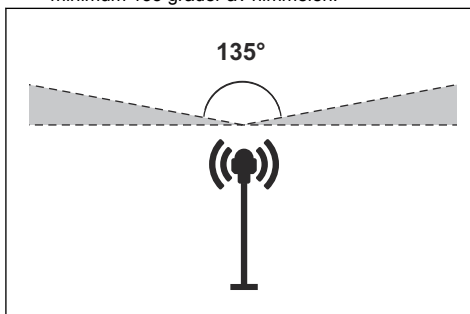
**OBS:** Ikke installer referansestasjonen på en flaggstang. Korrigeringsdataene som sendes til produktet med nøyaktig posisjon, vil bli påvirket hvis referansestasjonen beveger seg.

- Installer referansestasjonen på en fast gjenstand som ikke kan flytte på seg eller rotere.
- Installer referansestasjonen på en stolpe eller en vegg/mur. Stolpen må være 27-36 mm / 1.1-2.2 tommer i diameter for at festeanordningene til referansestasjonen skal kunne monteres.

**Merk:** Hvis referansestasjonen er installert på en vegg/mur, må toppen av referansestasjonen

være over veggen/muren. Slike gjenstander kan forårsake forstyrrelser i signalet fra referansestasjonen.

- Sørg for at referansestasjonen har fri sikt mot himmelen. Det er nødvendig med fri sikt til minimum 135 grader av himmelen.



- Installer referansestasjonen i minimum 2 m / 6.5 fots høyde.
- Kontroller at avstanden mellom referansestasjonen og robotgressklipperen er mindre enn 100 m / 330 fot. Gjenstander mellom referansestasjonen og robotgressklipperen kan redusere avstanden.

### 36.3 Slik finner du ut hvor du skal plassere strømforsyningen



**ADVARSEL:** Ikke kutt lavspenningskabelen. Det er fare for elektrisk støt.



**OBS:** Kontroller at knivene på robotgressklipperen ikke kutter strømkablene.

- Plasser strømforsyningen i et område med tak over og beskyttelse mot sol og regn.
- Plasser strømforsyningen i et område med god luftsirkulasjon.
- Bruk en kurs med jordfeilbryter når du kobler strømforsyningen til stikkkontakten.

- Forleng lavspenningskabelen om nødvendig. Lavspenningskabelen kan forlenges opptil 100 m / 328 fot.

## 36.4 Installasjon av produktet

Les og forstå instruksjonene om referansestasjonen. Se *Slik finner du ut hvor du skal plassere referansestasjonen på side 51.*

Les brukerhåndboken for robotgressklipperen som skal brukes sammen med referansestasjonen.

Du kan installere referansestasjonen på en stolpe eller en vegg/mur.



**OBS:** Korrigeringsdataene som sendes til produktet med nøyaktig posisjon, vil bli påvirket hvis referansestasjonen beveger seg. Referansestasjonen må installeres stramt på stolpen eller veggen/muren.

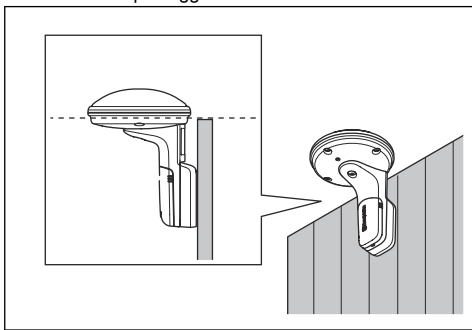


**OBS:** Elementene på kartet vil flytte på seg hvis du flytter referansestasjonen. Juster elementene på kartet, eller utfør installasjonen på nytt i Automower® Connect-appen.

### 36.4.1 Slik monterer du braketten på en vegg

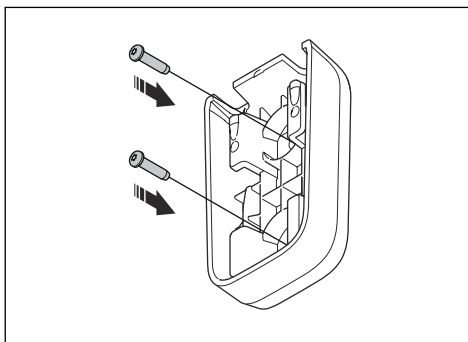
**Merk:** Skruer er ikke inkludert. Bruk skruer som er egnet for veggmaterialet.

1. Hold armen på referansestasjonen på veggen. Lag to merker på veggen for de to skruene.



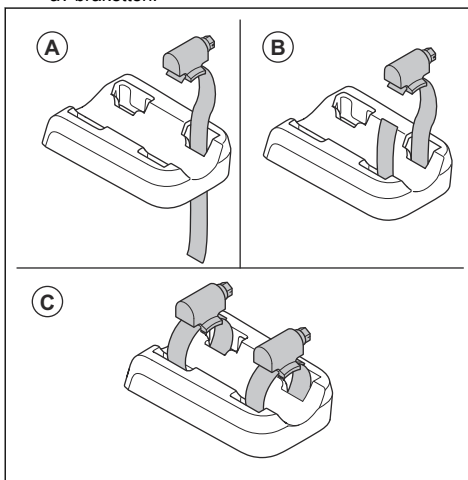
**Merk:** Kontroller at toppen av referansestasjonen er over veggen.

2. Bor hull ved de to merkene i veggen for de to skruene.
3. Monter braketten på veggen med de to skruene.

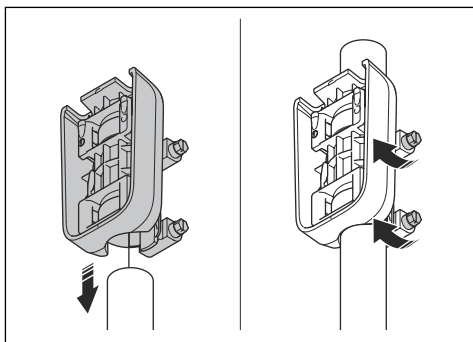


### 36.4.2 Slik monterer du braketten på en stang

1. Fest stangen godt til en vegg, toppen på et tak eller til bakken. Kontroller at stangen ikke kan bevege seg.
2. Før slangeklemmene gjennom sporet på baksiden av braketten.

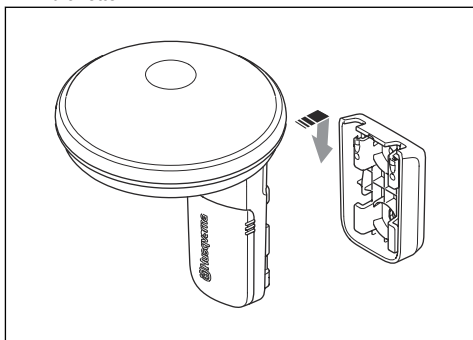


3. Fest braketten på stangen, og trekk til slangeklemmene med en flat skrutrekker.

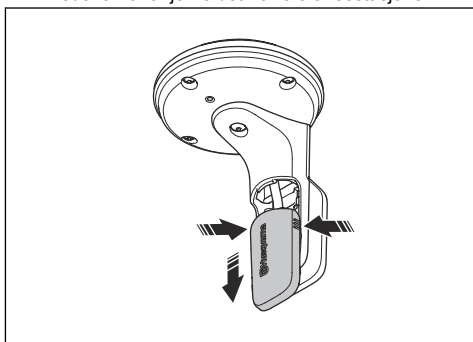


### 36.4.3 Slik installerer du referansestasjonen

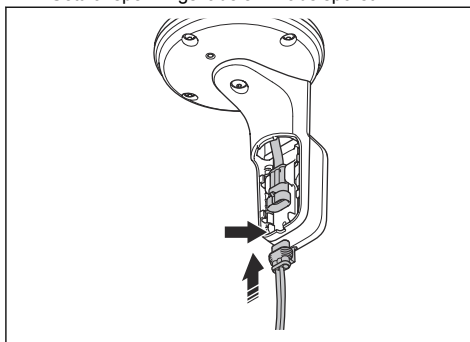
1. Hold referansestasjonen over braketten, og juster armen på referansestasjonen etter sporene i braketten.
2. Skyv referansestasjonen ned for å feste den til braketten.



3. Trykk og hold på kabeldekselet, og flytt det nedover for å fjerne det fra referansestasjonen.



4. Koble lavspenningskabelen til referansestasjonen. Sett lavspenningskabelen i kabelsporet.



5. Monter kabeldekselet.
6. Koble til lavspenningskabelen mellom referansestasjonen og strømforsyningen.
7. Fest lavspenningskabelen til veggen eller stangen med kabelstrips.



**OBS:** Hvis lavspenningskabelen ikke er godt festet med kabelstrips, kan den bli skadet av sterk vind.

8. Plasser strømforsyningen 30-200 cm /1-6.5 fot over bakken. Se *Slik finner du ut hvor du skal plassere strømforsyningen på side 51.*
9. Koble strømforsyningskabelen til et strømuttak på 100–240 V.

**Merk:** LED-indikatoren på referansestasjonen blinker grønt i noen minutter. LED-indikatoren lyser grønt når referansestasjonen er i drift. Se *LED-indikatorlampen på referansestasjonen på side 54.*

---

## 37 Vedlikehold

---

### 37.1 Slik rengjør du referansestasjonen

Husqvarna anbefaler at du bruker et eget rengjørings- og vedlikeholdssett, som er tilgjengelig som tilbehør. Din Husqvarna-representant har mer informasjon.



**OBS:** Robotklipperen og ladestasjonen må ikke rengjøres med høytrykksspyler. Ikke bruk løsemidler til rengjøringen.

- Bruk en fuktig klut til å rengjøre produktet om nødvendig.

---

## 38 Feilsøking

---

### 38.1 LED-indikatorlampen på referansestasjonen

Lys	Status
Grønt blinkende lys	Oppstart av referansestasjonen. Vent noen minutter.
Grønt konstant lys	I drift.
Rødt blinkende lys	Referansestasjonen virker ikke på grunn av en feil. Koble fra strømledningen og koble den til igjen for å starte produktet på nytt. Hvis problemet vedvarer, må du ta kontakt med den godkjente serviceforhandleren.
Hvitt blinkende lys	Fastvareoppdatering er nødvendig. Snakk med den lokale Husqvarna-representanten.
Gult blinkende lys	Bare for referansestasjon i signalforsterkermodus: Referansestasjonen i signalforsterkermodus har ingen forbindelse til hovedreferansestasjonen. Referansestasjonen er i oppstartsmodus eller har ingen forbindelse til hovedreferansestasjonen. Hvis det ikke er noen forbindelse, må du undersøke hovedreferansestasjonen eller den nærmeste signalforsterkeren.

---

## 39 Oppbevaring og kassering

---

### 39.1 Oppbevaring

Hvis du oppbevarer referansestasjonen innendørs, må du la armen stå fast på stolpen eller veggen slik at du kan montere referansestasjonen på den opprinnelige plassen sin igjen.

Hvis du oppbevarer referansestasjonen utendørs om vinteren, anbefaler vi at du lar strømforsyningen være tilkoblet.

### 39.2 Kassering

Følg lokale gjenvinningsbestemmelser og gjeldende regelverk.

## 40 Tekniske data

### 40.1 Tekniske data

Dimensjoner	
Lengde, cm/tommer.	17/6,7
Bredde, cm/tommer.	16/6,3
Høyde, cm/tommer.	22/8,7
Vekt, kg/pund	0,5/1,1

Produktinformasjon	
Type strømforsyningsenhet	FW7313/28/D/XX/Y/1.3
Inngangseffekt, strømforsyning, V AC	100–240
Utgangseffekt, strømforsyning, V DC	28
Utgangseffekt, strømforsyning, A	1,3
Lengde på lavspenkabel, m/fot	20/66
IP-kode, referansestasjon	IPX5
IP-kode, strømforsyningsenhet	IP44
Strømforbruk, W	2,8

Frekvensbåndstøtte	
Bluetooth®-frekvensområde (for service)	2400,0–2483,5 MHz
SRD868 (Europa)	863–870 MHz
SRD915 (Nord-Amerika)	902–928 MHz
SRD915 (Australia)	915–928 MHz
SRD915 (New Zealand)	915–928 MHz

Energiklasse	
Bluetooth®-utgangseffekt (for service)	8 dBm
SRD868 (Europa)	13 dBm
SRD915 (Nord-Amerika)	13 dBm
SRD915 (Australia)	13 dBm
SRD915 (New Zealand)	13 dBm

Det kan ikke garanteres full kompatibilitet mellom produktet og andre typer trådløse systemer, for eksempel fjernkontroller og radiosendere.

### 40.2 Registrerte varemerker

Bluetooth® ordmerket og logoene er registrerte varemerker for Bluetooth SIG, inc., og bruk av slike merker fra Husqvarna skjer under lisens.

# 41 EU-samsvarserklæring

## 41.1 EU-samsvarserklæring (original)

### EU Declaration of Conformity

ROB-CEPOS\_RS1-24-1E

We, Husqvarna AB, SE 561 82 Huskvarna, SWEDEN, Tel. +46 36 146500 declare on our sole responsibility that the products:

Description	Communication kit
Brand	HUSQVARNA
Type / Model	HUSQVARNA EPOS™ RS1 Reference Station Type 19.3.1
Identification	Serial numbers dating from 2023 week 51

complies fully with the following EU directives and regulations:

Directive/Regulation	Description
2014/53/EU	"relating to radio equipment"
2011/65/EU	"restriction of use of certain hazardous substances"

and that the following standards and/or technical specifications are applied;

EN 62368-1:2014+A11:2017  
EN IEC 63000:2018  
EN 55032:2015  
ETSI EN 301 489-1 V1.9.2  
ETSI EN 301 489-1 V2.2.3  
ETSI EN 301 489-3 V2.3.2  
ETSI EN 301 489-17 V3.2.4  
ETSI EN 301 489-17 V3.2.6  
ETSI EN 301 489-19 V2.1.1  
ETSI EN 300 328 2.2.2  
ETSI EN 300 220-1 V3.1.1  
ETSI EN 300 220-2 V3.2.1  
ETSI EN 303 413 V1.2.1

  
Sara Gard (Mar 8, 2024 15:26 GMT+1)

Sara Gard  
Huskvarna

Director Residential EPAC Robotic R&D  
Husqvarna AB, Husqvarna Forest & Garden  
Responsible for technical documentation





## 41.2 EU-samsvarserklæring (oversettelse)

Vi, Husqvarna AB, SE 561 82 Huskvarna, SWEDEN,  
Tel. +46 36 146500, erklærer på eget ansvar at  
produktet:

<b>Beskrivelse</b>	<b>Kommunikasjonssett</b>
<b>Merke</b>	HUSQVARNA
<b>Type/modell</b>	HUSQVARNA EPOS™ RS1 Reference Station Type 19.3.1
<b>ID</b>	Serienumre datert fra 2023 uke 51

fullstendig overholder følgende EU-direktiver og  
-forskrifter:

<b>Direktiv/regulering</b>	<b>Beskrivelse</b>
2014/53/EU	«om radioutstyr»
2011/65/EU	«om begrensning av bruken av visse farlige stoffer»

og at følgende standarder og/eller tekniske  
spesifikasjoner er anvendt:

- EN 62368-1:2014+A11:2017
- EN IEC 63000:2018
- EN 55032:2015
- ETSI EN 301 489-1 V1.9.2
- ETSI EN 301 489-1 V2.2.3
- ETSI EN 301 489-3 V2.3.2
- ETSI EN 301 489-17 V3.2.4
- ETSI EN 301 489-17 V3.2.6
- ETSI EN 301 489-19 V2.1.1
- ETSI EN 300 328 2.2.2
- ETSI EN 300 220-1 V3.1.1
- ETSI EN 300 220-2 V3.2.1
- ETSI EN 303 413 V1.2.1

Sara Gard

Huskvarna

Direktør for Residential EPAC Robotic R&D Husqvarna  
AB. Husqvarna Forest & Garden, ansvarlig for teknisk  
dokumentasjon.



---

## Sommaire

---

42 Sécurité.....	58	46 Dépannage.....	65
43 Introduction.....	59	47 Remisage et mise au rebut.....	65
44 Installation.....	62	48 Caractéristiques techniques.....	66
45 Entretien.....	65	49 Déclaration de conformité UE.....	67

---

## 42 Sécurité

---

### 42.1 Définitions de sécurité

Des avertissements, des recommandations et des remarques sont utilisés pour souligner des parties spécialement importantes du manuel.



**AVERTISSEMENT:** Symbole utilisé en cas de risque de blessures ou de mort pour l'opérateur ou les personnes à proximité si les instructions du manuel ne sont pas respectées.



**REMARQUE:** Symbole utilisé en cas de risque de dommages pour le produit, d'autres matériaux ou les environs si les instructions du manuel ne sont pas respectées.

**Remarque:** Symbole utilisé pour donner des informations supplémentaires pour une situation donnée.

### 42.2 Instructions générales de sécurité



**AVERTISSEMENT:** Lisez les instructions qui suivent avant d'utiliser le produit.

- respectez les réglementations nationales applicables à la sécurité électrique.
- le produit doit être utilisé uniquement avec l'unité d'alimentation électrique fournie par Husqvarna.
- Le produit ne doit être utilisé qu'avec les équipements recommandés par le fabricant. Toute autre utilisation est incorrecte. Les instructions du fabricant concernant l'utilisation et l'entretien doivent être rigoureusement suivies.
- Le produit ne peut être utilisé, entretenu et réparé que par des personnes parfaitement familiarisées avec ses caractéristiques spéciales et connaissant les consignes de sécurité. Lisez attentivement et assimilez le manuel d'utilisation avant d'utiliser le produit.

- Husqvarna ne garantit en aucun cas la compatibilité totale entre le produit et d'autres types de dispositif sans fil comme des télécommandes, des transmetteurs radio, des boucles d'écoute, des clôtures électrifiées enterrées pour animaux ou autres.
- Vous n'êtes pas autorisé à modifier la conception originale du produit. Toutes les modifications effectuées sont à vos risques et périls.
- Examinez le produit pour vérifier qu'il n'est pas endommagé avant de le démarrer. N'utilisez pas le produit si celui-ci est endommagé.
- La température de fonctionnement est comprise entre -20 °C et 45 °C / -4 °F et 113 °F. La température de remisage est comprise entre -20 °C et 70 °C / -4 °F et 158 °F.

### 42.3 Consignes de sécurité pour l'installation



**AVERTISSEMENT:** Lisez les instructions qui suivent avant d'utiliser le produit.

- N'installez pas le bloc d'alimentation à une position impliquant un risque d'exposition à l'humidité. n'installez pas l'alimentation électrique sur le sol.
- n'enfermez pas l'alimentation électrique. De l'eau de condensation peut endommager l'alimentation électrique et augmenter le risque de choc électrique.
- risque de choc électrique. Installez uniquement un disjoncteur différentiel de fuite à la terre (DDFT) pour connecter l'alimentation électrique à la prise murale. Applicable aux États-Unis et au Canada. Si l'alimentation électrique est installée en extérieur : risque de choc électrique. Installez-le uniquement dans un réceptacle GFCI de classe A (RCD) couvert, doté d'un boîtier résistant aux intempéries avec le capuchon de la fiche de fixation inséré ou retiré.
- assurez-vous que les fiches du câble basse tension et de l'unité d'alimentation électrique sont propres et sèches avant de les brancher.

- Il existe un risque de chute d'objets pendant l'installation de la station de référence. Cela peut entraîner des blessures.
- Le câble d'alimentation électrique et le câble de rallonge doivent se trouver hors de la zone de travail pour éviter d'endommager les câbles.
- Il y a un risque de chute lors de l'installation de la station de référence en position haute. Assurez-vous que la position est stable lors de l'installation de la station de référence.

- Avant de nettoyer ou d'entretenir le produit, débranchez-le de l'alimentation électrique.

## 42.5 En cas d'orage

Pour réduire le risque d'endommagement des composants électriques de la station de référence, nous recommandons de déconnecter l'alimentation de la station de référence en cas de risque d'orage. Raccordez de nouveau l'alimentation électrique lorsqu'il n'y a aucun risque d'orage.

## 42.4 Instructions de sécurité pour l'entretien



**AVERTISSEMENT:** Lisez les instructions qui suivent avant d'utiliser le produit.

# 43 Introduction

## 43.1 Introduction

Numéro de série :	
Référence de produit :	

Le numéro de série se trouve sur la plaque signalétique et sur le carton du produit. Utilisez le numéro de série pour enregistrer votre produit sur [www.husqvarna.com](http://www.husqvarna.com).

### 43.1.1 Assistance

Pour obtenir de l'aide concernant le produit, contactez votre atelier d'entretien Husqvarna.

### 43.1.2 Description du produit

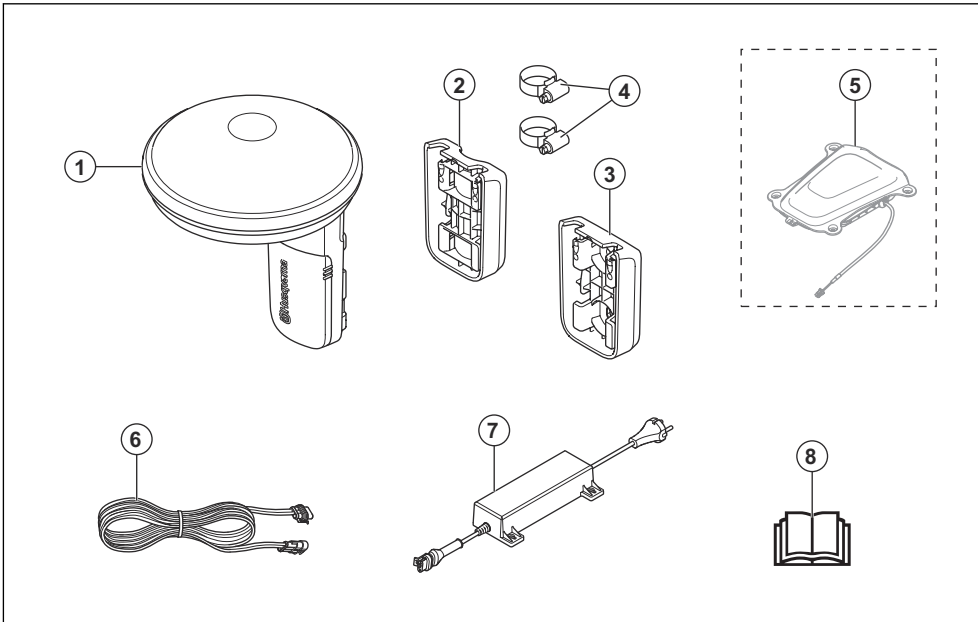
**Remarque:** Husqvarna met régulièrement à jour l'apparence et la fonctionnalité de ses produits. Reportez-vous à *Assistance à la page 59*.

La station de référence EPOS™ reçoit des signaux satellites et envoie des données de correction au robot tondeuse.

### 43.1.3 Description du système

Le système EPOS™ contient un robot tondeuse, une station de charge et une station de référence. Le robot tondeuse et la station de référence reçoivent des signaux satellites pour le positionnement. La station de référence est fixe et envoie des données de correction au robot tondeuse pour obtenir une position précise du robot tondeuse. La zone de travail est créée virtuellement dans une application en utilisant le produit et en ajoutant des points de repère pour créer une carte dans une application.

### 43.1.4 Aperçu du produit

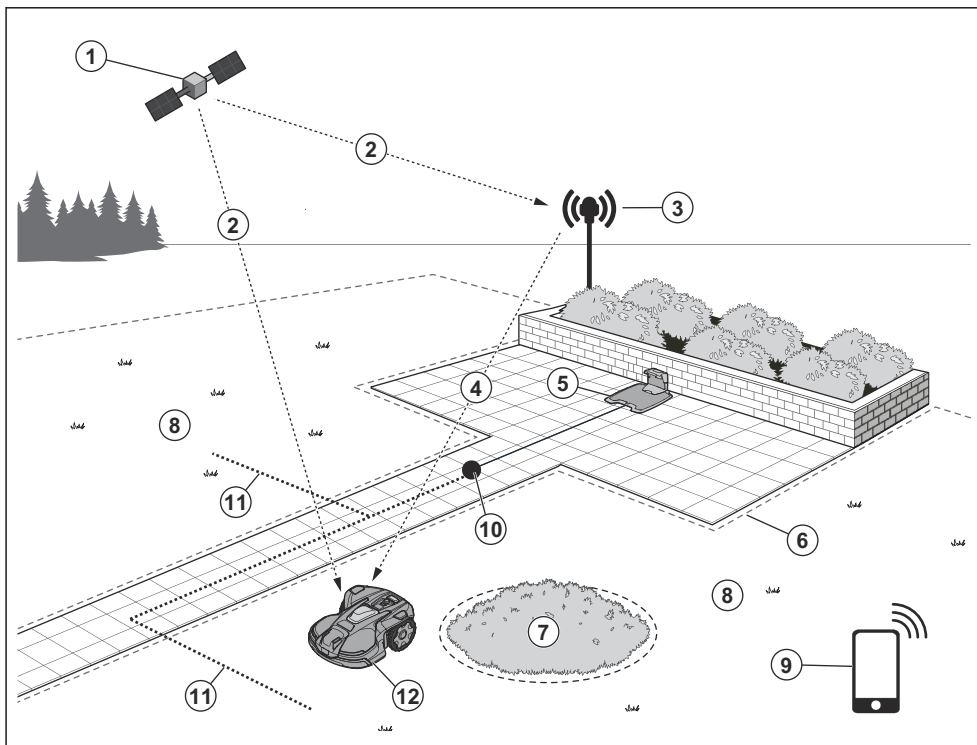


1. Station de référence
2. Support de perche
3. Support mural
4. Colliers de serrage
5. Automower® EPOS™ Plug-in<sup>26</sup>
6. Câble basse tension
7. Alimentation électrique<sup>27</sup>
8. Manuel d'utilisation

<sup>26</sup> Acheté séparément. L'aspect peut varier selon les modèles.

<sup>27</sup> L'aspect de cet élément peut être différent selon les marchés.

### 43.1.5 Présentation du système



1. Satellites
2. Signaux satellites
3. Station de référence
4. Données de correction
5. Station de charge<sup>28</sup>
6. Périphérie virtuelle
7. Zone d'exclusion
8. Zone de travail
9. Appareil mobile<sup>29</sup>
10. Point d'amarrage
11. Chemin de transport
12. Robot tondeuse avec kit EPOS™ Plug-in<sup>30</sup>

### 43.1.6 Symboles concernant le produit

Ces symboles se trouvent sur le produit. Assurez-vous de bien les comprendre.



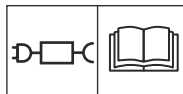
Ce produit est conforme aux directives CE en vigueur.



Ce produit est conforme aux directives en vigueur au Royaume-Uni.



Ce produit ne doit pas être jeté avec les ordures ménagères. Respectez les réglementations nationales et utilisez le système de recyclage local.



Utilisez une alimentation électrique amovible, telle que spécifiée sur la plaque signalétique à côté du symbole.

<sup>28</sup> Non inclus.

<sup>29</sup> Non inclus.

<sup>30</sup> Robot tondeuse non inclus.

**Remarque:** Les autres symboles/autocollants présents sur le produit concernent des exigences de certification spécifiques à certains marchés.

### 43.1.7 Endommagement du produit

Nous ne sommes pas responsables des dommages subis par le produit si :

- le produit n'est pas correctement réparé ;

- le produit est réparé avec des pièces qui ne proviennent pas du fabricant ou qui ne sont pas homologuées par le fabricant ;
- le produit est équipé d'un accessoire qui ne provient pas du fabricant ou qui n'est pas homologué par le fabricant ;
- le produit n'est pas réparé par un centre d'entretien agréé ou par une autorité homologuée.

## 44 Installation

### 44.1 Introduction - Installation



**AVERTISSEMENT:** Assurez-vous de lire et de comprendre le chapitre dédié à la sécurité avant d'installer le produit.



**AVERTISSEMENT:** assurez-vous de lire et de comprendre le chapitre dédié à la sécurité du manuel du robot tondeuse avant d'installer le produit.



**REMARQUE:** Utilisez des pièces de rechange et du matériel d'installation d'origine.

**Remarque:** reportez-vous à [www.husqvarna.com](http://www.husqvarna.com) pour obtenir plus d'informations sur l'installation.

### 44.2 Détermination de l'emplacement de la station de référence



**REMARQUE:** Si un paratonnerre se trouve à proximité, n'installez pas la station de référence plus haut que le paratonnerre.

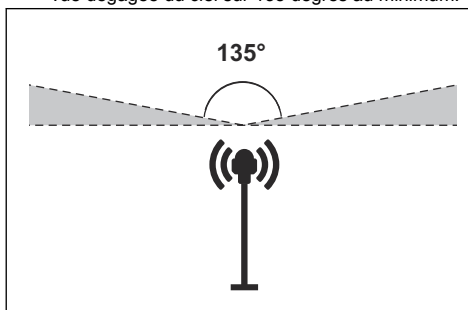


**REMARQUE:** N'installez pas la station de référence sur un mât de drapeau. Les mouvements de la station de référence affectent les données de correction envoyées au produit avec la position exacte.

- Installez la station de référence sur un objet fixe qui ne peut pas bouger ou pivoter.
- Installez la station de référence sur un montant ou un mur. Le montant doit mesurer 27-36 cm / 1.1-2.2 po de diamètre pour pouvoir installer les accessoires sur la station de référence.

**Remarque:** si la station de référence est installée sur un mur, sa partie supérieure doit se trouver au-dessus du mur. Les objets métalliques peuvent provoquer des interférences avec le signal de la station de référence.

- Assurez-vous que la station de référence a une vue dégagée du ciel. Il est nécessaire d'avoir une vue dégagée du ciel sur 135 degrés au minimum.



- Installez la station de référence à une hauteur minimale de 2 m / 6.5 pi.
- Assurez-vous que la distance entre la station de référence et le robot tondeuse est inférieure à 100 m / 330 pi. Les objets situés entre la station de référence et le robot tondeuse peuvent réduire la distance.

### 44.3 Détermination de l'emplacement du bloc d'alimentation



**AVERTISSEMENT:** Ne coupez pas le câble basse tension. Il y a un risque de choc électrique.



**REMARQUE:** Assurez-vous que les lames du robot tondeuse ne coupent pas les câbles d'alimentation.

- Placez le bloc d'alimentation dans une zone protégée par un toit et à l'abri du soleil et de la pluie.
- Placez le bloc d'alimentation dans une zone bien ventilée.
- Utilisez un disjoncteur différentiel (RCD) pour brancher le bloc d'alimentation à la prise de courant.
- Si nécessaire, prolongez le câble basse tension. Le câble basse tension peut être prolongé jusqu'à 100 m / 328 pi.

## 44.4 Installation du produit

Assurez-vous de lire et de comprendre les instructions relatives à la station de référence. Reportez-vous à la section *Détermination de l'emplacement de la station de référence à la page 62*.

Lisez le manuel d'utilisation du robot tondeuse à utiliser avec la station de référence.

Vous pouvez installer la station de référence sur un montant ou un mur.



**REMARQUE:** Les mouvements de la station de référence affectent les données de correction envoyées au produit avec la position exacte. La station de référence doit être correctement installée sur le montant ou le mur.

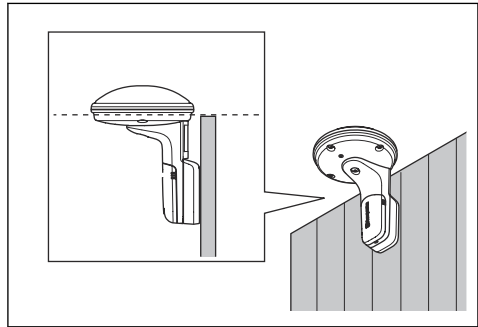


**REMARQUE:** Les éléments de la carte changent de position si vous déplacez la station de référence. Ajustez les éléments sur la carte ou effectuez à nouveau l'installation dans l'application Automower® Connect.

### 44.4.1 Installer le support sur un mur

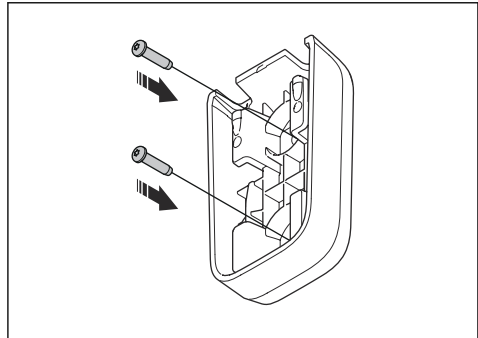
**Remarque:** Les vis ne sont pas incluses. Utilisez des vis adaptées au matériau du mur.

1. Maintenez le bras de la station de référence sur le mur. Tracez 2 repères sur le mur pour les 2 vis.



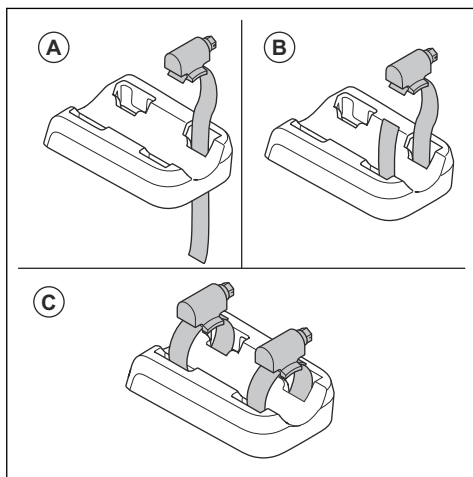
**Remarque:** Assurez-vous que le haut de la station de référence se trouve au-dessus du mur.

2. Percez un trou dans le mur au niveau de chaque repère pour les 2 vis.
3. Installez le support sur le mur à l'aide des 2 vis.

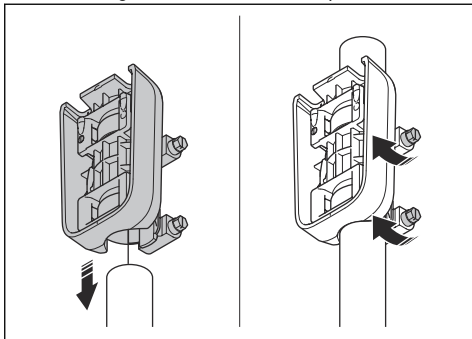


### 44.4.2 Pour installer le support sur une perche

1. Fixez fermement la perche à un mur, à un toit ou au sol. Assurez-vous que la perche ne peut pas bouger.
2. Placer les colliers de serrage dans la fente à l'arrière du support.

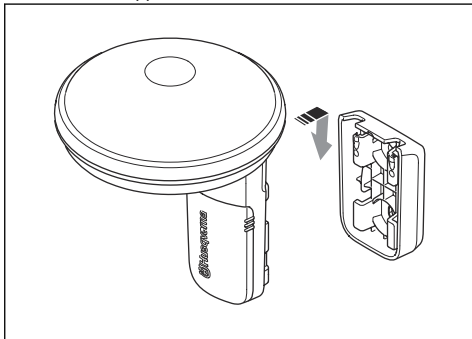


3. Fixer le support sur la perche et serrer les colliers de serrage à l'aide d'un tournevis plat.

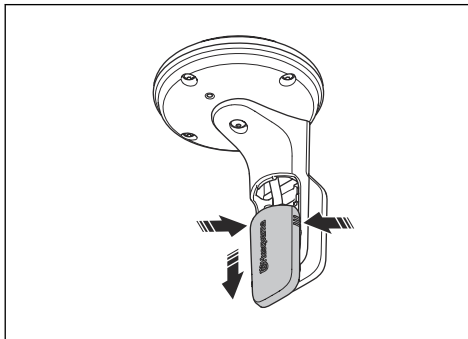


#### 44.4.3 Installer la station de référence

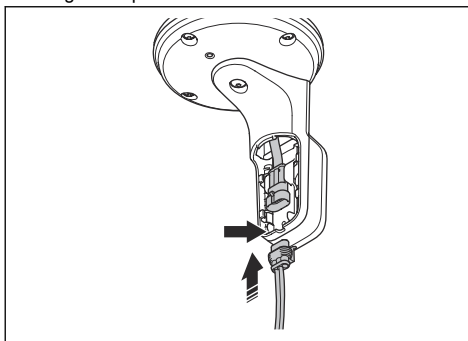
1. Tenez la station de référence au-dessus du support et alignez le bras de la station de référence avec les fentes du support.
2. Poussez la station de référence vers le bas pour la fixer au support.



3. Maintenez le protège-câbles enfoncé et déplacez-le vers le bas pour le retirer de la station de référence.



4. Branchez le câble basse tension à la station de référence. Placez le câble basse tension dans le logement prévu à cet effet.



5. Installez le cache-câbles.
6. Branchez le câble basse tension de la station de référence à l'alimentation électrique.
7. Fixez le câble basse tension au mur ou à la perche à l'aide de serre-câbles.



**REMARQUE:** Si le câble basse tension n'est pas correctement fixé à l'aide de serre-câbles, il risque d'être endommagé par le vent.

8. Placez l'alimentation électrique à 30-200 cm / 1-6.5 pi au-dessus du sol. Reportez-vous à *Détermination de l'emplacement du bloc d'alimentation à la page 62*.
9. Branchez le câble d'alimentation électrique sur une prise murale de 100-240 V.



**Remarque:** Le témoin LED de la station de référence clignote en vert pendant quelques minutes. Le témoin LED s'allume en vert lorsque la station

de référence est en fonctionnement. Reportez-vous à *Témoin LED sur la station de référence à la page 65.*

## 45 Entretien

### 45.1 Pour nettoyer la station de référence

Husqvarna recommande d'utiliser un kit de nettoyage et d'entretien spécial, disponible comme accessoire. Pour plus d'informations, contactez votre représentant Husqvarna.



**REMARQUE:** N'utilisez pas de nettoyeur à haute pression pour nettoyer le produit et la station de charge. N'utilisez pas de solvants pour le nettoyage.

- Si nécessaire, utilisez un chiffon humide pour nettoyer le produit.

## 46 Dépannage

### 46.1 Témoin LED sur la station de référence

Voyant	Statut
Lumière verte clignotante	Démarrage de la station de référence. Patientez quelques minutes.
Lumière verte allumée en continu	En cours de fonctionnement.
Lumière rouge clignotante	La station de référence ne fonctionne pas en raison d'une erreur. Débranchez le cordon d'alimentation et rebranchez-le pour redémarrer le produit. Si le problème persiste, contactez votre revendeur agréé.
Lumière blanche clignotante	Une mise à jour du firmware est nécessaire. Contactez votre représentant Husqvarna local.
Voyant jaune clignotant	Concerne uniquement la station de référence en mode répéteur : la station de référence en mode répéteur n'est pas connectée à la station de référence principale. La station de référence est en mode démarrage ou n'est pas connectée à la station de référence principale. Si aucune connexion n'est établie, examinez la station de référence principale ou le répéteur le plus proche.

## 47 Remisage et mise au rebut

### 47.1 Remisage

Si vous remisage la station de référence à l'intérieur, maintenez le bras installé sur le montant ou au mur pour pouvoir réinstaller la station de référence dans sa position d'origine.

Si vous gardez la station de référence à l'extérieur pendant l'hiver, nous vous recommandons de maintenir l'alimentation électrique connectée.

### 47.2 Mise au rebut

Respectez les consignes locales de recyclage et la réglementation en vigueur.

## 48 Caractéristiques techniques

### 48.1 Caractéristiques techniques

Dimensions	
Longueur, cm/po.	17/6,7
Largeur, cm/po.	16/6,3
Hauteur, cm/po.	22/8,7
Poids, kg/lb	0,5/1,1

Données relatives au produit	
Type d'unité d'alimentation électrique	FW7313/28/D/XX/Y/1.3
Entrée d'alimentation, V CA	100-240
Sortie d'alimentation, V CC	28
Sortie d'alimentation, A	1,3
Câble basse tension, longueur m/pi	20 / 66
Code IP de la station de référence	IPX5
Code IP de l'unité d'alimentation électrique	IP44
Consommation électrique, W	2,8

Bandes de fréquence prises en charge	
Bluetooth® Plage de fréquences (pour l'entretien)	2 400,0 à 2 483,5 MHz
SRD868 (Europe)	863-870 MHz
SRD915 (Amérique du Nord)	902-928 MHz
SRD915 (Australie)	915-928 MHz
SRD915 (Nouvelle-Zélande)	915-928 MHz

Classe de puissance	
Bluetooth® Puissance de sortie (pour l'entretien)	8 dBm
SRD868 (Europe)	13 dBm
SRD915 (Amérique du Nord)	13 dBm
SRD915 (Australie)	13 dBm
SRD915 (Nouvelle-Zélande)	13 dBm

La compatibilité totale entre le produit et d'autres types de systèmes sans fil tels que les télécommandes et les émetteurs radio ne peut pas être garantie.

### 48.2 Marques déposées

La marque et les logos *Bluetooth*® sont des marques déposées appartenant à *Bluetooth SIG, inc.*, et toute utilisation de ces marques par Husqvarna est régie par une licence.

# 49 Déclaration de conformité UE

## 49.1 Déclaration de conformité UE d'origine

### EU Declaration of Conformity

ROB-CEPOS\_RS1-24-1E

We, Husqvarna AB, SE 561 82 Huskvarna, SWEDEN, Tel. +46 36 146500 declare on our sole responsibility that the products:

Description	Communication kit
Brand	HUSQVARNA
Type / Model	HUSQVARNA EPOS™ RS1 Reference Station Type 19.3.1
Identification	Serial numbers dating from 2023 week 51

complies fully with the following EU directives and regulations:

Directive/Regulation	Description
2014/53/EU	"relating to radio equipment"
2011/65/EU	"restriction of use of certain hazardous substances"

and that the following standards and/or technical specifications are applied;

EN 62368-1:2014+A11:2017  
EN IEC 63000:2018  
EN 55032:2015  
ETSI EN 301 489-1 V1.9.2  
ETSI EN 301 489-1 V2.2.3  
ETSI EN 301 489-3 V2.3.2  
ETSI EN 301 489-17 V3.2.4  
ETSI EN 301 489-17 V3.2.6  
ETSI EN 301 489-19 V2.1.1  
ETSI EN 300 328 2.2.2  
ETSI EN 300 220-1 V3.1.1  
ETSI EN 300 220-2 V3.2.1  
ETSI EN 303 413 V1.2.1

  
Sara Gard (Mar 6, 2024 15:26 GMT+1)

Sara Gard  
Huskvarna

Director Residential EPAC Robotic R&D  
Husqvarna AB, Husqvarna Forest & Garden  
Responsible for technical documentation



## 49.2 Déclaration de conformité UE traduite

Nous, Husqvarna AB, SE 561 82 Huskvarna, SWEDEN,  
Tel. +46 36 146500, déclarons sous notre seule  
responsabilité que le produit :

Description	Kit de communication
Marque	HUSQVARNA
Type/Modèle	HUSQVARNA EPOS™ RS1 Reference Station Type 19.3.1
Identification	Numéros de série 2023, semaine 51

est entièrement conforme à la réglementation et aux  
directives de l'UE suivantes :

Directive/Réglementation	Description
2014/53/EU	« Relative aux équipements radioélectriques »
2011/65/EU	« Limitation de l'utilisation de certaines substances dangereuses »

et que les normes et/ou spécifications techniques  
suivantes sont appliquées :

- EN 62368-1:2014+A11:2017
- EN IEC 63000:2018
- EN 55032:2015
- ETSI EN 301 489-1 V1.9.2
- ETSI EN 301 489-1 V2.2.3
- ETSI EN 301 489-3 V2.3.2
- ETSI EN 301 489-17 V3.2.4
- ETSI EN 301 489-17 V3.2.6
- ETSI EN 301 489-19 V2.1.1
- ETSI EN 300 328 2.2.2
- ETSI EN 300 220-1 V3.1.1
- ETSI EN 300 220-2 V3.2.1
- ETSI EN 303 413 V1.2.1

Sara Gard  
Huskvarna

Directrice résidentielle EPAC R&D Robotique chez  
Husqvarna AB, Husqvarna Forest & Garden,  
responsable de la documentation technique.



---

## Inhoud

---

50 Veiligheid.....	69	54 Probleemoplossing.....	76
51 Inleiding.....	70	55 Opbergen en afdanken.....	76
52 Installatie.....	73	56 Technische gegevens.....	76
53 Onderhoud.....	76	57 EU-verklaring van overeenstemming.....	78

---

## 50 Veiligheid

---

### 50.1 Veiligheidsdefinities

Waarschuwingen, voorzorgsmaatregelen en opmerkingen worden gebruikt om te wijzen op belangrijke delen van de handleiding.



**WAARSCHUWING:** Wordt gebruikt om te wijzen op de kans op ernstig of fataal letsel voor de gebruiker of omstanders wanneer de instructies in de handleiding niet worden gevolgd.



**OPGELET:** Wordt gebruikt indien er een risico bestaat op schade aan het product en andere eigendommen of aan de omgeving wanneer de instructies in de handleiding niet worden gevolgd.

**Let op:** Geven verdere informatie die nodig is in een bepaalde situatie.

### 50.2 Algemene veiligheidsinstructies



**WAARSCHUWING:** Lees de volgende waarschuwingen voordat u het product gaat gebruiken.

- Volg de nationale voorschriften voor elektrische veiligheid.
- Het product mag alleen worden gebruikt met de voedingseenheid die is geleverd door Husqvarna.
- Het product mag uitsluitend worden gebruikt in combinatie met door de fabrikant aanbevolen apparatuur. Elk ander gebruik is onjuist. De instructies van de fabrikant over bediening/onderhoud moeten nauwkeurig worden gevolgd.
- Het product mag uitsluitend worden bediend, onderhouden en gerepareerd door personen die volledig vertrouwd zijn met de speciale kenmerken van en veiligheidsregels voor het product. Lees de bedieningshandleiding zorgvuldig door en zorg dat u de instructies hebt begrepen voordat u het product gebruikt.

- Husqvarna staat niet garant voor volledige compatibiliteit tussen het product en andere typen draadloze systemen, zoals afstandsbedieningen, radiozenders, ringleidingen, ondergrondse elektrische afasteringen of dergelijke.
- Het is niet toegestaan het originele ontwerp van het product aan te passen. Alle wijzigingen zijn op eigen risico.
- Controleer het product op beschadiging voordat u het product start. Gebruik het product niet als het beschadigd is.
- De bedrijfstemperatuur is -20 °C tot 45 °C. De opslagtemperatuur is -20 °C tot 70 °C.

### 50.3 Veiligheidsinstructies voor installatie



**WAARSCHUWING:** Lees de volgende waarschuwingen voordat u het product gaat gebruiken.

- Plaats de voeding niet op een plek waar er een risico bestaat dat deze nat kan worden. Zet de voeding niet op de grond.
- Kapsel de voeding niet in. Condenswater kan de voeding beschadigen en het risico op elektrische schokken vergroten.
- Risico van elektrische schok. Gebruik altijd een aardlekschakelaar (RCD) bij het aansluiten van de voeding op het stopcontact. Van toepassing voor USA/Canada. Als de voedingseenheid buiten is opgesteld: Risico van elektrische schok. Alleen aansluiten op een afgedekt GFCI-stopcontact (RCD), klasse A, dat voorzien is van een behuizing die waterdicht is, ongeacht of de kap van de aansluitstekker is geplaatst.
- Zorg ervoor dat de pluggen van de laagspanningskabel en de voedingseenheid schoon en droog zijn voordat u ze aansluit.
- Er bestaat een risico op vallende voorwerpen tijdens de installatie van het referentiestation. Dit kan leiden tot letsel.
- De voedingskabel en verlengkabel moeten zich buiten het werkgebied bevinden om schade aan de kabels te voorkomen.

- Er bestaat een risico dat het referentiestation valt wanneer u het op een hoge positie installeert. Zorg ervoor dat u het referentiestation installeert op een stabiele positie.
- Haal de stekker van het product uit het stopcontact voordat u het product reinigt of er onderhoud aan uitvoert.

## 50.4 Veiligheidsinstructies voor onderhoud



**WAARSCHUWING:** Lees de volgende waarschuwingen voordat u het product gaat gebruiken.

## 50.5 Bij onweer

Om het risico op schade aan elektrische componenten in het referentiestation te verkleinen, raden we aan de voeding naar het referentiestation uit te schakelen als er gevaar voor onweer bestaat. Sluit de voeding weer aan als er geen gevaar voor onweer is.

# 51 Inleiding

## 51.1 Inleiding

<b>Serienummer:</b>	
<b>Productnummer:</b>	

Het serienummer staat op het productplaatje en op de productverpakking. Gebruik het serienummer om uw product te registreren op [www.husqvarna.com](http://www.husqvarna.com).

### 51.1.1 Steun

Neem contact op met uw Husqvarna-dealer voor ondersteuning met betrekking tot het product.

### 51.1.2 Productbeschrijving

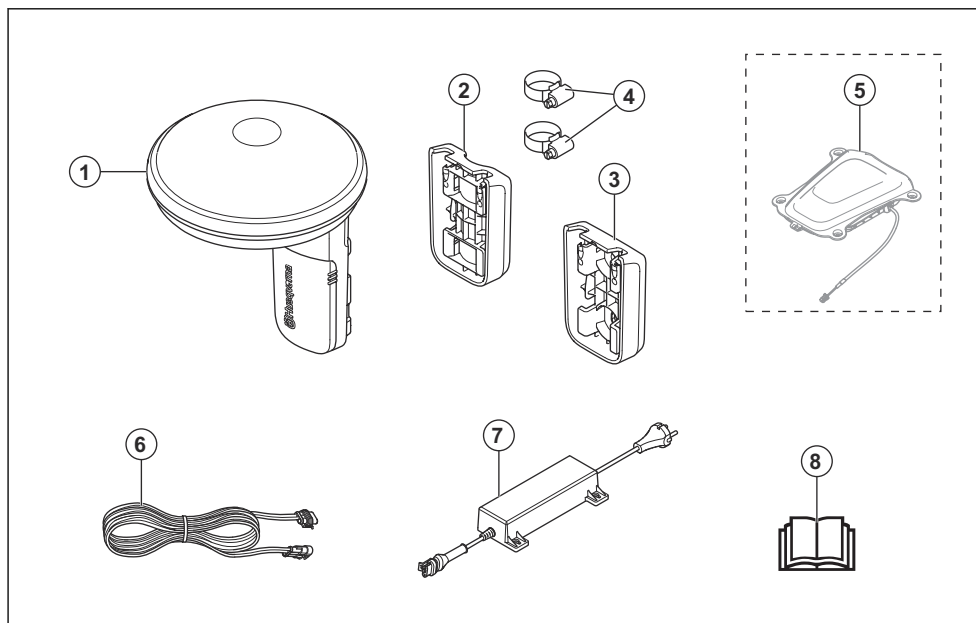
**Let op:** Husqvarna werkt het uiterlijk en de werking van producten regelmatig bij. Zie *Steun op pagina 70*.

Het EPOS™-referentiestation ontvangt satellietsignalen en stuurt correctiegegevens naar de robotmaaier.

### 51.1.3 Systeembeschrijving

Het EPOS™-systeem bevat een robotmaaier, een laadstation en een referentiestation. De robotmaaier en het referentiestation ontvangen satellietsignalen voor positionering. Het referentiestation staat stil en stuurt correctiegegevens naar de robotmaaier om een nauwkeurige positie voor de maaier te verkrijgen. Het werkgebied wordt virtueel in een app gemaakt door het product te bedienen en waypoints toe te voegen om een kaart in een app te maken.

## 51.1.4 Productoverzicht

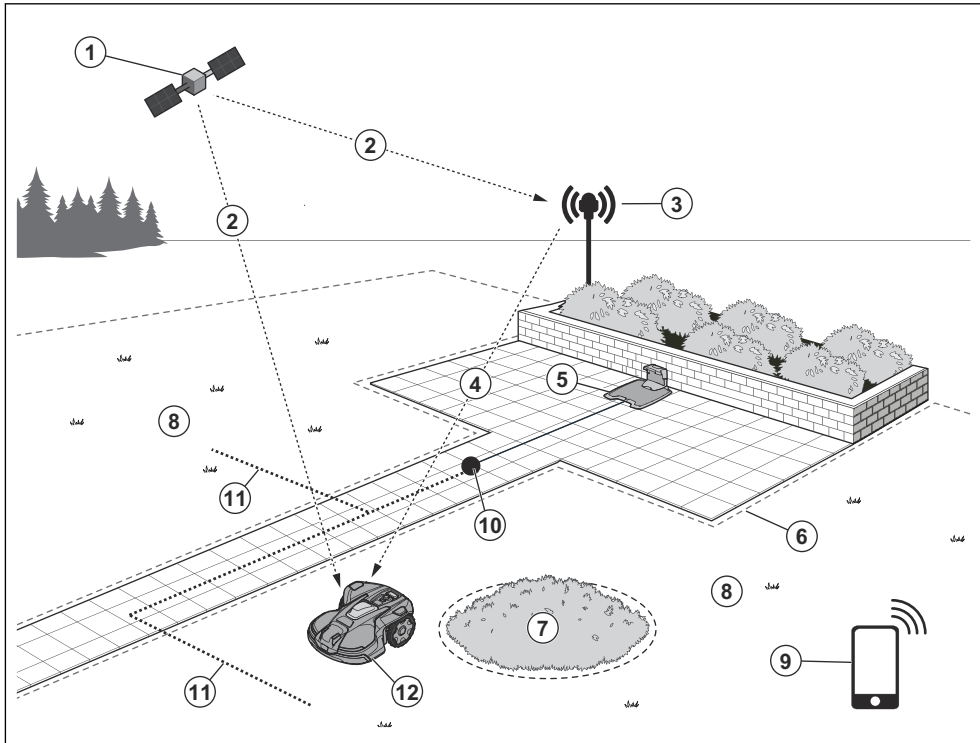


1. Referentiestation
2. Paalbeugel
3. Muurbeugel
4. Slangklemmen
5. Automower® EPOS™ Plug-in<sup>31</sup>
6. Laagspanningskabel
7. Voeding<sup>32</sup>
8. Bedieningshandleiding

<sup>31</sup> Afzonderlijk verkrijgbaar. Het uiterlijk kan verschillen bij andere modellen.

<sup>32</sup> Het uiterlijk kan verschillen voor verschillende markten.

## 51.1.5 Systemoverzicht



1. Satellieten
2. Satellietsignalen
3. Referentiestation
4. Correctiegegevens
5. Laadstation<sup>33</sup>
6. Virtuele grens
7. Te vermijden zone
8. Werkgebied
9. Mobiel apparaat<sup>34</sup>
10. Koppelpunt
11. Transportpad
12. Robotmaaier met EPOS™ Plug-in-kit<sup>35</sup>

### 51.1.6 Symbolen op het product

Deze symbolen staan op het product. Zorg ervoor dat u deze begrijpt.



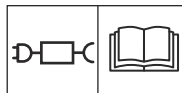
Dit product voldoet aan de geldende EU-richtlijnen.



Dit product voldoet aan de geldende UK-richtlijnen.



Het is niet toegestaan om het product als normaal huishoudelijk afval af te voeren. Houd u aan de nationale voorschriften en gebruik het lokale recyclingsysteem.



Gebruik een losse voeding met de specificaties die op het typeplaatje naast het symbool staan vermeld.

<sup>33</sup> Niet inbegrepen.

<sup>34</sup> Niet inbegrepen.

<sup>35</sup> Robotmaaier niet meegeleverd.



**Let op:** Andere symbolen/stickers op het product hebben betrekking op certificeringseisen voor bepaalde markten.

### 51.1.7 Schade aan het product

We zijn niet verantwoordelijk voor schade aan ons product als:

- het product niet goed is gerepareerd.

- het product is gerepareerd met onderdelen die niet van de fabrikant afkomstig zijn, of onderdelen die niet zijn goedgekeurd door de fabrikant.
- het product een accessoire bevat dat niet afkomstig is van de fabrikant of niet is goedgekeurd door de fabrikant.
- het product niet is gerepareerd door een erkend servicepunt of door een erkende autoriteit.

## 52 Installatie

### 52.1 Inleiding - installatie



**WAARSCHUWING:** Zorg dat u het hoofdstuk over veiligheid hebt gelezen en begrepen voordat u het product monteert.



**WAARSCHUWING:** Zorg dat u het hoofdstuk over veiligheid hebt gelezen en begrepen voordat u het product installeert.



**OPGELET:** Gebruik originele reserveonderdelen en origineel installatiemateriaal.

**Let op:** Zie [www.husqvarna.com](http://www.husqvarna.com) voor meer informatie over de installatie.

### 52.2 Onderzoeken waar het laadstation moet worden geplaatst



**OPGELET:** Als zich in de buurt een bliksemafleider bevindt, mag u het referentiestation niet hoger installeren dan de bliksemafleider.

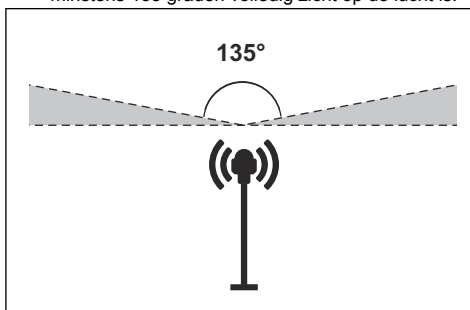


**OPGELET:** Installeer het referentiestation niet op een vlaggenmast. Bewegingen van het referentiestation beïnvloeden de correctiegegevens die met de juiste positie naar het product worden gestuurd.

- Installeer het referentiestation op een vast object dat niet kan bewegen of draaien.
- Installeer het referentiestation op een paal of een muur. De paal moet 27-36 een diameter van mm / 1.1-2.2 inch hebben om de opzetstukken op het referentiestation te kunnen plaatsen.

**Let op:** Als het referentiestation aan een muur wordt gemonteerd, moet de bovenkant van het referentiestation zich boven de muur bevinden. Metalen objecten kunnen interferentie met het referentiestationsignaal veroorzaken.

- Zorg ervoor dat het referentiestation volledig zicht op de lucht heeft. Het is noodzakelijk dat er minstens 135 graden volledig zicht op de lucht is.



- Installeer het referentiestation op een minimumhoogte van 2 m / 6.5 ft.
- Zorg dat de afstand tussen het referentiestation en de robotmaaier kleiner is dan 100 m / 330 ft. Objecten tussen het referentiestation en de robotmaaier kunnen de afstand verkleinen.

### 52.3 Onderzoeken waar de voeding moet worden geplaatst



**WAARSCHUWING:** U mag de laagspanningskabel niet doorsnijden. Er bestaat een gevaar voor elektrische schokken.



**OPGELET:** Zorg ervoor dat de messen van de robotmaaier de stroomkabels niet doorsnijden.

- Plaats de voeding in een gebied met een dak en bescherming tegen de zon en de regen.
- Plaats de voeding in een gebied met een goede luchtstroom.
- Gebruik een aardlekschakelaar wanneer u de voeding aansluit op het stopcontact.
- Verleng de laagspanningskabel indien nodig. De laagspanningskabel kan worden verlengd tot 100 m / 328 ft.

## 52.4 Montage van het product

Lees en begrijp de instructies met betrekking tot het laadstation. Zie *Onderzoeken waar het laadstation moet worden geplaatst op pagina 73*.

Lees de bedieningshandleiding voor de robotmaaier die samen met het referentiestation moet worden gebruikt.

U kunt het referentiestation op een paal of een muur installeren.



**OPGELET:** Bewegingen van het referentiestation beïnvloeden de correctiegegevens die met de juiste positie naar het product worden gestuurd. Het referentiestation moet stevig op de paal of muur worden geïnstalleerd.



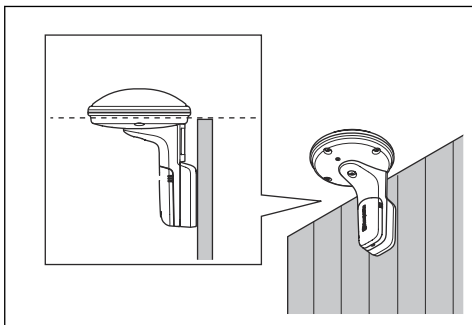
**OPGELET:** De items op de kaart veranderen van positie als u het referentiestation verplaatst. Pas de items op de kaart aan of voer de installatie opnieuw uit in de Automower® Connect-app.

### 52.4.1 De beugel op een muur installeren

**Let op:** Schroeven worden niet meegeleverd.

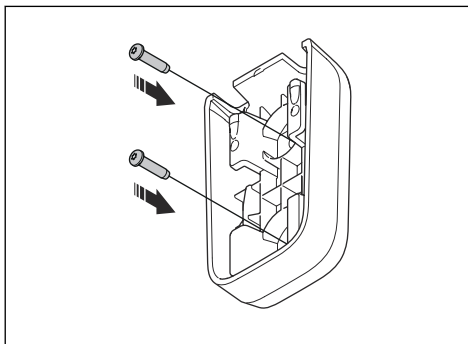
Gebruik schroeven die geschikt zijn voor het materiaal van de muur.

1. Houd de arm van het referentiestation tegen de muur. Plaats 2 markeringen op de muur voor de 2 schroeven.



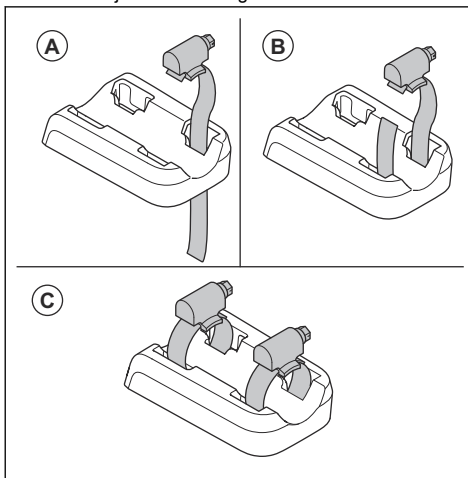
**Let op:** Zorg dat de bovenkant van het referentiestation boven de muur uitsteekt.

2. Boor gaten in de muur op de plaats van de 2 markeringen voor de 2 schroeven.
3. Bevestig de beugel met de 2 schroeven aan de muur.

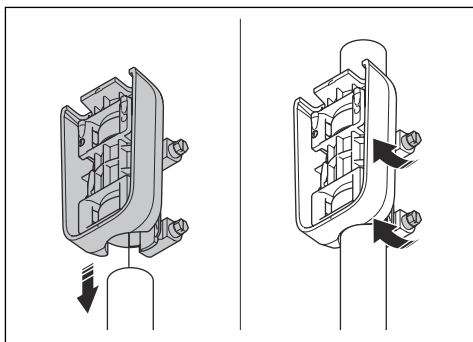


### 52.4.2 De beugel op een paal installeren

1. Bevestig de paal stevig aan een muur, dak of op de grond. Zorg dat de paal niet kan bewegen.
2. Steek de slangklemmen door de sleuf aan de achterzijde van de beugel.

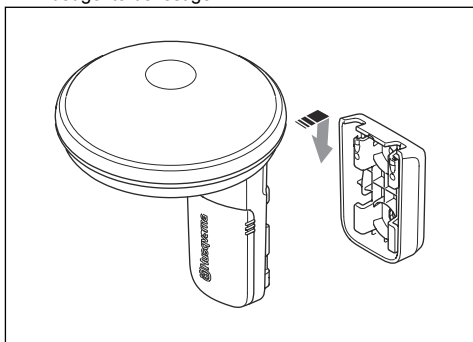


3. Bevestig de beugel op de paal en zet de slangklemmen vast met een platte schroevendraaier.

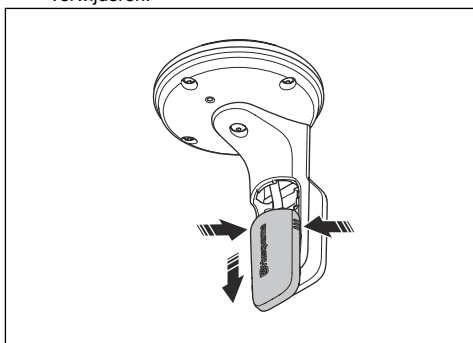


### 52.4.3 Het referentiestation installeren

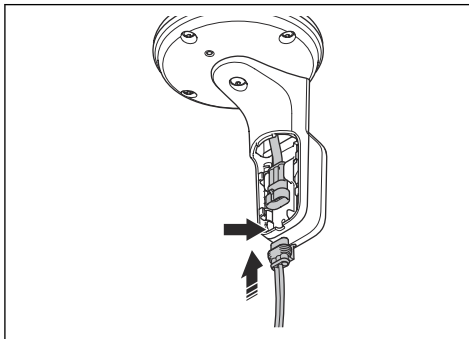
1. Houd het referentiestation boven de beugel en lijn de arm van het referentiestation uit met de sleuven in de beugel.
2. Duw het referentiestation omlaag om het aan de beugel te bevestigen.



3. Houd het kabeldeksel ingedrukt en beweeg het omlaag om het uit het referentiestation te verwijderen.



4. Sluit de laagspanningskabel aan op het referentiestation. Plaats de laagspanningskabel in de kabelsleuf.



5. Breng het kabeldeksel aan.
6. Sluit de laagspanningskabel van het referentiestation naar de voeding aan.
7. Bevestig de laagspanningskabel met kabelbinders aan de muur of paal.



**OPGELET:** Indien de laagspanningskabel niet stevig is bevestigd met kabelbinders, kan deze bij harde wind beschadigd raken.

8. Plaats de voedingseenheid 30-200cm / 1-6.5 ft. boven de grond. Zie *Onderzoeken waar de voeding moet worden geplaatst op pagina 73*.
9. Sluit de voedingskabel aan op een stopcontact van 100-240 V.

**Let op:** Het led-indicatielampje van het referentiestation knippert gedurende enkele minuten groen. Het led-indicatielampje brandt continu groen wanneer het referentiestation in bedrijf is. Zie *Led-indicator op het referentiestation op pagina 76*.

---

## 53 Onderhoud

---

### 53.1 Het referentiestation reinigen

Husqvarna adviseert een speciale set voor reiniging en onderhoud, verkrijgbaar als accessoire. Neem voor meer informatie contact op met uw Husqvarna-vertegenwoordiger.



**OPGELET:** Reinig het product en het laadstation niet met een hogedrukspuit. Gebruik geen oplosmiddelen voor reiniging.

- Gebruik een vochtige doek om het product te reinigen indien nodig.

---

## 54 Probleemoplossing

---

### 54.1 Led-indicator op het referentiestation

Licht	Status
Groen knipperend lampje	Opstarten van het referentiestation. Wacht enkele minuten.
Groen licht brandt constant	In bedrijf.
Rood knipperend lampje	Het referentiestation werkt niet vanwege een fout. Koppel het netsnoer los en sluit het weer aan om het product opnieuw op te starten. Indien het probleem zich blijft voordoen, neem dan contact op met uw erkende servicedealer.
Wit knipperend lampje	Er is een firmware-update nodig. Neem contact op met uw plaatselijke Husqvarna vertegenwoordiger.
Geel knipperend licht	Alleen voor referentiestation in repeatermodus: Het referentiestation in repeatermodus heeft geen verbinding met het hoofdreferentiestation. Het referentiestation staat in de opstartmodus of heeft geen verbinding met het hoofdreferentiestation. Als er geen verbinding is, controleert u het hoofdreferentiestation of de dichtstbijzijnde repeater.

---

## 55 Opbergen en afdanken

---

### 55.1 Opslag

Als u het referentiestation binnen opbergt, moet u de arm op de paal of muur laten zitten zodat u het referentiestation weer in de oorspronkelijke positie kunt installeren.

Als u het referentiestation in de winter buiten houdt, raden we u aan de voeding aangesloten te houden.

### 55.2 Afvoeren

Neem de plaatselijk geldende wet- en regelgeving voor recycling in acht.

---

## 56 Technische gegevens

---

### 56.1 Technische gegevens

Afmetingen	
Lengte, cm/inch	17/6,7
Breedte, cm/inch	16/6,3
Hoogte, cm/inch	22/8,7
Gewicht, kg/lb	0,5/1,1

<b>Productgegevens</b>	
Type voedingseenheid	FW7313/28/D/XX/Y/1.3
Invoer voedingseenheid, V AC	100-240
Uitvoer voedingseenheid, V DC	28
Uitvoer voedingseenheid, A	1,3
Laagspanningskabel, lengte m/ft	20 / 66
IP-code referentiestation	IPX5
IP-code voedingseenheid	IP44
Stroomverbruik, W	2,8

<b>Ondersteuning frequentiebanden</b>	
Bluetooth®-frequentiebereik (voor service)	2400,0-2483,5 MHz
SRD868 (Europa)	863-870 MHz
SRD915 (Noord-Amerika)	902-928 MHz
SRD915 (Australië)	915-928 MHz
SRD915 (Nieuw-Zeeland)	915-928 MHz

<b>Vermogensklasse</b>	
Bluetooth®-uitgangsvermogen (voor service)	8 dBm
SRD868 (Europa)	13 dBm
SRD915 (Noord-Amerika)	13 dBm
SRD915 (Australië)	13 dBm
SRD915 (Nieuw-Zeeland)	13 dBm

We kunnen niet garanderen dat het product volledig compatibel is met andere typen draadloze systemen zoals afstandsbedieningen en radiozenders.

## 56.2 Geregistreerde handelsmerken

Het *Bluetooth*®-woordmerk en de logo's zijn geregistreerde handelsmerken die eigendom zijn van *Bluetooth SIG, inc.* en het gebruik van deze merken door Husqvarna vindt plaats onder licentie.

## 57 EU-verklaring van overeenstemming

### 57.1 Originiele EU-verklaring van overeenstemming

#### EU Declaration of Conformity

ROB-CEPOS\_RS1-24-1E

We, Husqvarna AB, SE 561 82 Huskvarna, SWEDEN, Tel. +46 36 146500 declare on our sole responsibility that the products:

Description	Communication kit
Brand	HUSQVARNA
Type / Model	HUSQVARNA EPOS™ RS1 Reference Station Type 19.3.1
Identification	Serial numbers dating from 2023 week 51

complies fully with the following EU directives and regulations:

Directive/Regulation	Description
2014/53/EU	"relating to radio equipment"
2011/65/EU	"restriction of use of certain hazardous substances"

and that the following standards and/or technical specifications are applied;

EN 62368-1:2014+A11:2017  
EN IEC 63000:2018  
EN 55032:2015  
ETSI EN 301 489-1 V1.9.2  
ETSI EN 301 489-1 V2.2.3  
ETSI EN 301 489-3 V2.3.2  
ETSI EN 301 489-17 V3.2.4  
ETSI EN 301 489-17 V3.2.6  
ETSI EN 301 489-19 V2.1.1  
ETSI EN 300 328 2.2.2  
ETSI EN 300 220-1 V3.1.1  
ETSI EN 300 220-2 V3.2.1  
ETSI EN 303 413 V1.2.1

  
Sara Gard (Mar 8, 2024 15:26 GMT+1)

Sara Gard  
Huskvarna

Director Residential EPAC Robotic R&D  
Husqvarna AB, Husqvarna Forest & Garden  
Responsible for technical documentation



## 57.2 Vertaalde EU-verklaring van overeenstemming

Wij, Husqvarna AB, SE 561 82 Huskvarna,  
SWEDEN, Tel. +46 36 146500, verklaren onder onze  
alleenverantwoordelijkheid dat het product:

Beschrijving	Communicatieset
Merk	HUSQVARNA
Type/model	HUSQVARNA EPOS™ RS1 Reference Station Type 19.3.1
Identificatie	Serienummers vanaf 2023 week 51

volledig voldoet aan de volgende EU-richtlijnen en  
-regelgeving:

Richtlijn/Verordening	Beschrijving
2014/53/EU	"Betreffende radioapparatuur"
2011/65/EU	"Beperking van het gebruik van bepaalde gevaarlijke stoffen"

en dat de volgende normen en/of technische  
specificaties zijn toegepast;

- EN 62368-1:2014+A11:2017
- EN IEC 63000:2018
- EN 55032:2015
- ETSI EN 301 489-1 V1.9.2
- ETSI EN 301 489-1 V2.2.3
- ETSI EN 301 489-3 V2.3.2
- ETSI EN 301 489-17 V3.2.4
- ETSI EN 301 489-17 V3.2.6
- ETSI EN 301 489-19 V2.1.1
- ETSI EN 300 328 2.2.2
- ETSI EN 300 220-1 V3.1.1
- ETSI EN 300 220-2 V3.2.1
- ETSI EN 303 413 V1.2.1

Sara Gard

Huskvarna

Directeur Residential EPAC Robotic R&D Husqvarna  
AB, Husqvarna Forest & Garden, verantwoordelijk voor  
technische documentatie.



---

## Sommario

---

58 Sicurezza.....	80	62 Ricerca guasti.....	87
59 Introduzione.....	81	63 Conservazione e smaltimento.....	87
60 Installazione.....	84	64 Dati tecnici.....	88
61 Manutenzione.....	87	65 Dichiarazione di conformità UE.....	90

---

## 58 Sicurezza

---

### 58.1 Definizioni di sicurezza

Le avvertenze, le precauzioni e le note sono utilizzate per evidenziare le parti importanti del manuale.



**AVVERTENZA:** Utilizzato se è presente un rischio di lesioni o morte dell'operatore o di passanti nel caso in cui le istruzioni del manuale non vengano rispettate.



**ATTENZIONE:** Utilizzato se è presente un rischio di danni al prodotto, ad altri materiali oppure alla zona adiacente nel caso in cui le istruzioni del manuale non vengano rispettate.

**Nota:** Utilizzato per fornire ulteriori informazioni necessarie in una determinata situazione.

### 58.2 Istruzioni di sicurezza generali



**AVVERTENZA:** Leggere le seguenti avvertenze prima di utilizzare il prodotto.

- Rispettare le normative nazionali sulla sicurezza elettrica.
- Il prodotto deve essere utilizzato solo con l'unità di alimentazione fornita da Husqvarna.
- Il prodotto può essere utilizzato solo con le apparecchiature raccomandate dal produttore. Qualsiasi altro tipo di utilizzo è da considerarsi improprio. Attenersi scrupolosamente alle istruzioni del produttore relative a funzionamento e manutenzione.
- Il prodotto può essere utilizzato, sottoposto a manutenzione e riparato solo da persone che abbiano totale dimestichezza con le sue specifiche caratteristiche e norme di sicurezza. Prima di usare il prodotto, leggere attentamente il Manuale dell'operatore e accertarsi di averne compreso il contenuto.

- Husqvarna non garantisce la completa compatibilità tra il prodotto e altri tipi di sistemi wireless, quali telecomandi, trasmettitori radio, apparecchi acustici, recinzioni elettriche interrate per animali o simili.
- Non è consentito modificare il design originale del prodotto. Tutte le modifiche sono a rischio e pericolo dell'utente.
- Verificare la presenza di eventuali danni al prodotto prima di avviarlo. Se danneggiato, non utilizzare il prodotto.
- La temperatura di esercizio è compresa tra -20 °C e 45 °C / -4 °F e 113 °F. La temperatura di immagazzinamento è compresa tra -20 °C e 70 °C / -4 °F e 158 °F.

### 58.3 Istruzioni di sicurezza per l'installazione



**AVVERTENZA:** Leggere le seguenti avvertenze prima di utilizzare il prodotto.

- non posizionare l'alimentatore in un punto in cui vi sia il rischio che si bagni. Non posizionare l'alimentatore a terra.
- non racchiudere l'alimentatore. La condensa può danneggiare l'alimentatore e aumentare il rischio di scosse elettriche.
- rischio di scosse elettriche. Si consiglia l'uso di un interruttore differenziale (RCD) quando si collega l'alimentatore alla presa a muro. Applicabile per Stati Uniti e Canada. Se l'alimentazione è installata all'aperto: rischio di scosse elettriche. Installare solo ad una presa con protezione di Classe A GFCI (RCD) con involucro resistente alle intemperie con l'accessorio cappuccio inserito o rimosso.
- Assicurarsi che le spine del cavo a bassa tensione e dell'alimentatore siano pulite e asciutte prima di collegarle.
- Durante l'installazione della stazione di riferimento sussiste il rischio di caduta di oggetti. Ciò può causare lesioni.



- Il cavo di alimentazione e quello di prolunga devono trovarsi all'esterno dell'area di lavoro per evitarne il danneggiamento.
- Quando si installa la stazione di riferimento in posizione alta, si corre il rischio di cadere. Assicurarsi di disporre di una posizione stabile quando si installa la stazione di riferimento.

## 58.4 Istruzioni di sicurezza per la manutenzione



**AVVERTENZA:** Leggere le seguenti avvertenze prima di utilizzare il prodotto.

- Prima di eseguire la pulizia o la manutenzione del prodotto, scollegarlo dalla presa di corrente.

## 58.5 In caso di temporale

Per ridurre il rischio di danni ai componenti elettrici della stazione di riferimento, si consiglia di scollegare l'alimentatore in caso di rischio di temporali. Collegare nuovamente l'alimentatore quando non vi è alcun rischio di temporali.

# 59 Introduzione

## 59.1 Introduzione

Numero di serie:	
Codice prodotto:	

Il numero di serie si trova sulla targhetta dati di funzionamento del prodotto e sulla confezione del prodotto. Utilizzare il numero di serie per registrare il prodotto sul sito Web [www.husqvarna.com](http://www.husqvarna.com).

### 59.1.1 Supporto

Per assistenza sul prodotto, contattare il centro di assistenza Husqvarna.

### 59.1.2 Descrizione del prodotto

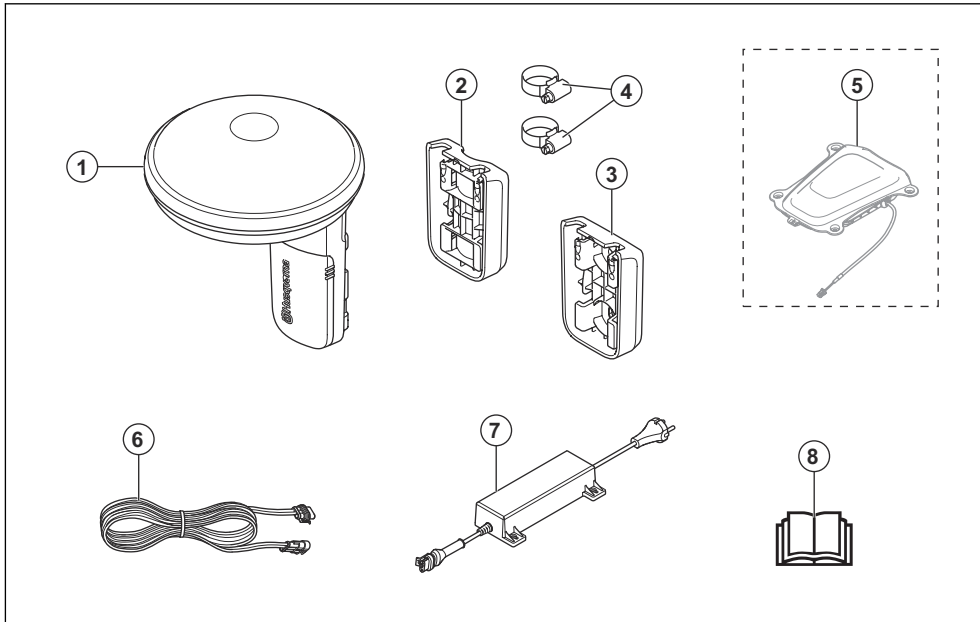
**Nota:** Husqvarna aggiorna regolarmente l'aspetto e il funzionamento dei prodotti. Fare riferimento a *Supporto alla pagina 81*.

La stazione di riferimento EPOS™ riceve i segnali satellitari e invia i dati di correzione al robot tagliaerba.

### 59.1.3 Descrizione del sistema

Il sistema EPOS™ include un robot tagliaerba, una stazione di ricarica e una stazione di riferimento. Il robot tagliaerba e la stazione di riferimento ricevono i segnali satellitari per il posizionamento. La stazione di riferimento è ferma e invia i dati di correzione al robot tagliaerba per ottenere una posizione precisa per il tagliaerba. L'area di lavoro viene creata virtualmente in un'app azionando il prodotto e aggiungendo waypoint per creare una mappa in un'app.

## 59.1.4 Panoramica del prodotto

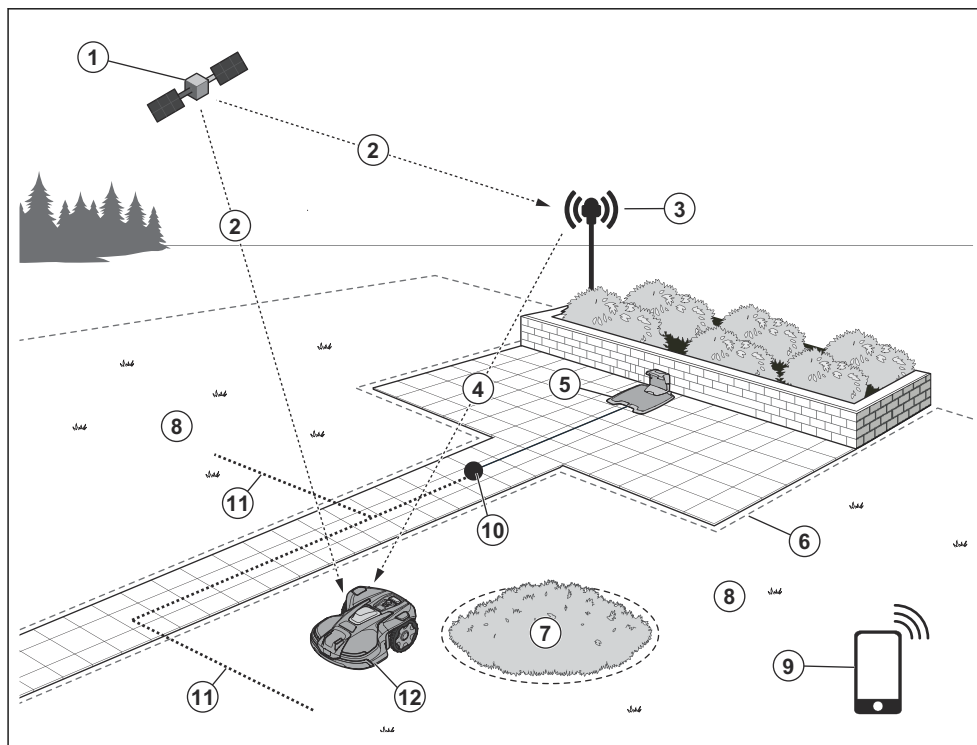


1. Stazione di riferimento
2. Staffa per asta
3. Staffa a parete
4. Fascette stringitubo
5. Automower® EPOS™ Plug-in<sup>36</sup>
6. Cavo a bassa tensione
7. Alimentatore<sup>37</sup>
8. Manuale dell'operatore

<sup>36</sup> Acquistabile separatamente. L'aspetto può essere diverso per i diversi modelli.

<sup>37</sup> L'aspetto può essere diverso per i diversi mercati.

## 59.1.5 Panoramica del sistema



1. Satelliti
2. Segnali satellitari
3. Stazione di riferimento
4. Dati di correzione
5. Stazione di ricarica<sup>38</sup>
6. Confine virtuale
7. Zona da evitare
8. Area di lavoro
9. Dispositivo mobile<sup>39</sup>
10. Punto di aggancio
11. Percorso di trasferimento
12. Robot tagliaerba con kit EPOS™ Plug-in<sup>40</sup>

### 59.1.6 Simboli riportati sul prodotto

Questi simboli sono riportati sul prodotto. Accertarsi di aver compreso tali simboli.



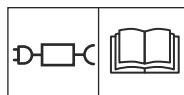
Il presente prodotto è conforme alle direttive UE vigenti.



Il presente prodotto è conforme alle direttive UK vigenti.



Non è consentito smaltire questo prodotto come normale rifiuto domestico. Attenersi alle normative nazionali e utilizzare il sistema di riciclaggio locale.



Utilizzare un alimentatore rimovibile come riportato sulla targhetta dati di funzionamento accanto al simbolo.

<sup>38</sup> Non incluso.

<sup>39</sup> Non incluso.

<sup>40</sup> Robot tagliaerba non incluso.

**Nota:** I restanti simboli/decalcomanie sul prodotto riguardano particolari requisiti necessari per ottenere la certificazione in alcuni mercati.

- Il prodotto viene riparato con parti che non provengono o non sono omologate dal produttore.
- Il prodotto contiene un accessorio che non proviene o non è omologato dal produttore.
- Il prodotto non viene riparato presso un centro di assistenza autorizzato o presso un'autorità competente.

### 59.1.7 Danni al prodotto

Non siamo responsabili dei danni al prodotto se:

- Il prodotto viene riparato in modo errato.

## 60 Installazione

### 60.1 Introduzione - Installazione



**AVVERTENZA:** Leggere e comprendere il capitolo sulla sicurezza prima di installare il prodotto.



**AVVERTENZA:** Prima di installare il prodotto, assicurarsi di aver letto e sposato il capitolo sulla sicurezza nel manuale del robot tagliaerba.



**ATTENZIONE:** Utilizzare pezzi di ricambio originali e materiale di installazione.

**Nota:** Per ulteriori informazioni sull'installazione, fare riferimento a [www.husqvarna.com](http://www.husqvarna.com).

### 60.2 Analisi della posizione della stazione di riferimento



**ATTENZIONE:** Se nelle vicinanze è presente un parafulmine, non installare la stazione di riferimento più in alto del parafulmine.

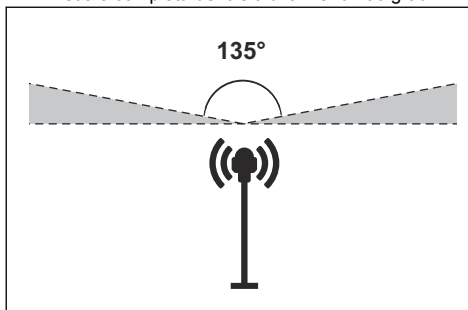


**ATTENZIONE:** Non installare la stazione di riferimento su un'asta per bandiera. I movimenti della stazione di riferimento influiscono sui dati di correzione inviati al prodotto con la posizione corretta.

- Installare la stazione di riferimento su un oggetto fisso che non possa muoversi o ruotare.
- Installare la stazione di riferimento su un palo o una parete. Il palo deve avere un diametro di 27-36 mm / 1.1-2.2 poll. per poter ospitare gli accessori della stazione di riferimento.

**Nota:** Se la stazione di riferimento è installata su una parete, la parte superiore della stazione di riferimento deve trovarsi sopra la parete. Gli oggetti metallici possono causare interferenze con il segnale della stazione di riferimento.

- Assicurarsi che la stazione di riferimento abbia una visuale completa del cielo. È necessario avere una visuale completa del cielo di almeno 135 gradi.



- Installare la stazione di riferimento ad un'altezza minima di 2 m / 6.5 piedi.
- Assicurarsi che la distanza tra la stazione di riferimento e il robot tagliaerba sia inferiore a 100 m/330 ft. La presenza di oggetti tra la stazione di riferimento e il robot tagliaerba può causare una riduzione della distanza.

### 60.3 Esame della collocazione dell'alimentatore



**AVVERTENZA:** Non tagliare il cavo a bassa tensione. Esiste il rischio di shock elettrico.



**ATTENZIONE:** Assicurarsi che le lame del robot rasaerba non tagliino i cavi di alimentazione.

- Posizionare l'alimentatore in una zona con tetto e protezione da sole e pioggia.

- Posizionare l'alimentatore in una zona con un buon flusso d'aria.
- Impiegare un dispositivo salvavita (RCD) quando si collega l'alimentatore alla presa di corrente.
- Se necessario, estendere il cavo a bassa tensione. Il cavo a bassa tensione può essere esteso fino a 100 m / 328 ft.

## 60.4 Installazione del prodotto

Leggere e comprendere le istruzioni relative alla stazione di riferimento. Fare riferimento a *Analisi della posizione della stazione di riferimento alla pagina 84*.

Leggere il manuale dell'operatore del robot tagliaerba da utilizzare insieme alla stazione di riferimento.

È possibile installare la stazione di riferimento su un palo o una parete.



**ATTENZIONE:** I movimenti della stazione di riferimento influiscono sui dati di correzione inviati al prodotto con la posizione corretta. La stazione di riferimento deve essere installata saldamente sul palo o sulla parete.

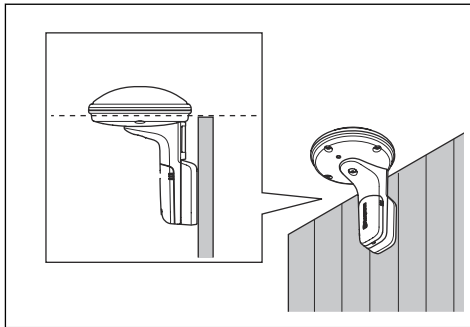


**ATTENZIONE:** Gli elementi sulla mappa cambiano posizione se si sposta la stazione di riferimento. Regolare gli elementi sulla mappa o eseguire nuovamente l'installazione nell'app Automower® Connect.

### 60.4.1 Installazione della staffa a parete

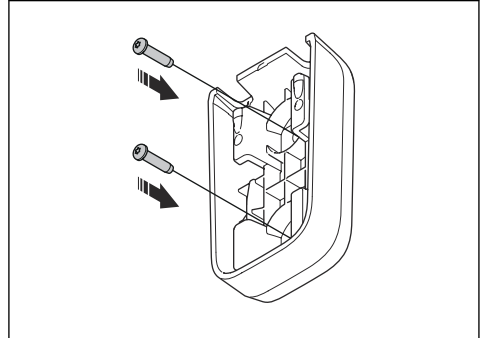
**Nota:** Viti non incluse. Utilizzare viti adatte al materiale della parete.

1. Appoggiare il braccio della stazione di riferimento sulla parete. Tracciare 2 segni sulla parete per le 2 viti.



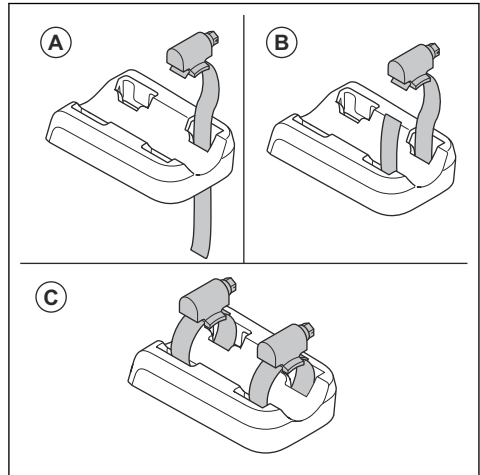
**Nota:** Assicurarsi che la parte superiore della stazione di riferimento si trovi sopra la parete.

2. Praticare i fori in corrispondenza dei 2 segni sulla parete per le 2 viti.
3. Fissare la staffa alla parete con le 2 viti.

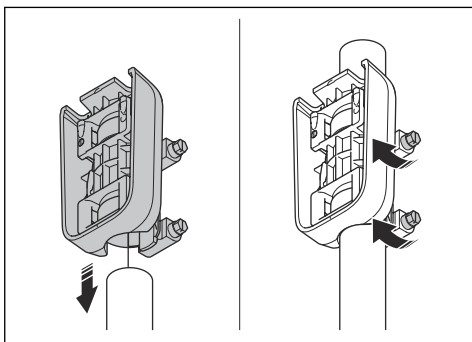


### 60.4.2 Installazione della staffa su un'asta

1. Fissare saldamente l'asta a una parete, al tetto o nel terreno. Accertarsi che l'asta non possa muoversi.
2. Inserire le fascette stringitubo nella fessura sul lato posteriore della staffa.

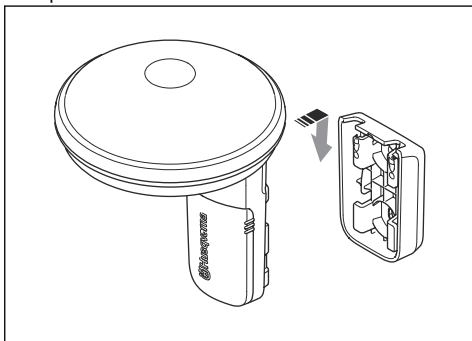


3. Fissare la staffa sull'asta e serrare le fascette stringitubo con un cacciavite a lama piatta.

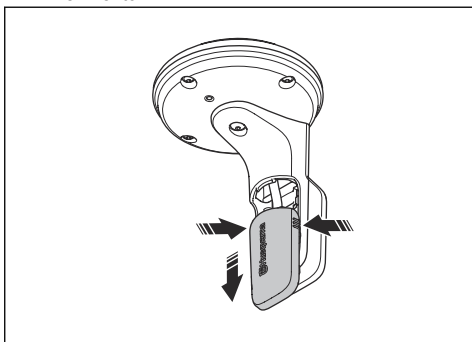


### 60.4.3 Installazione della stazione di riferimento

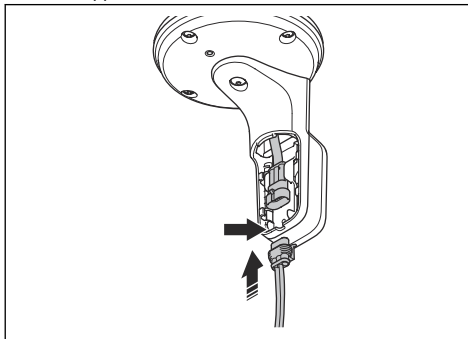
1. Tenere la stazione di riferimento al di sopra della staffa e allineare il braccio della stazione di riferimento con le fessure sulla staffa.
2. Spingere la stazione di riferimento verso il basso per fissarla alla staffa.



3. Tenere premuta la copertura del cavo e spostarla verso il basso per la rimozione dalla stazione di riferimento.



4. Collegare il cavo a bassa tensione alla stazione di riferimento. Inserire il cavo a bassa tensione nell'apposito slot.



5. Montare il copricavo.
6. Collegare il cavo a bassa tensione dalla stazione di riferimento all'alimentazione.
7. Fissare il cavo a bassa tensione alla parete o all'asta con fascette serracavo.



**ATTENZIONE:** Se il cavo a bassa tensione non è fissato saldamente con le fascette, potrebbe danneggiarsi in caso di vento forte.

8. Posizionare l'alimentatore a una distanza di 30-200 cm / 1-6.5 piedi sopra il suolo. Fare riferimento a *Esame della collocazione dell'alimentatore alla pagina 84*.
9. Collegare il cavo di alimentazione a una presa da 100-240 V.

**Nota:** La spia LED della stazione di riferimento lampeggia in verde per alcuni minuti. La spia LED è verde fissa quando la stazione di riferimento è in funzione. Fare riferimento a *Spia LED della stazione di riferimento alla pagina 87*.

---

## 61 Manutenzione

---

### 61.1 Pulizia della stazione di riferimento

Husqvarna consiglia di usare uno speciale kit per la pulizia e la manutenzione, disponibile come accessorio. Rivolgersi al rappresentante Husqvarna per maggiori informazioni.



**ATTENZIONE:** non utilizzare un dispositivo di lavaggio ad alta pressione per pulire il prodotto e la stazione di ricarica. Non utilizzare solventi per la pulizia.

- Se necessario, utilizzare un panno umido per pulire il prodotto.

---

## 62 Ricerca guasti

---

### 62.1 Spia LED della stazione di riferimento

Luce	Stato
Luce verde lampeggiante	Avvio della stazione di riferimento. Attendere alcuni minuti.
Luce verde fissa	In funzione.
Luce rossa lampeggiante	La stazione di riferimento non funziona a causa di un errore. Scollegare il cavo di alimentazione e ricollegarlo per riavviare il prodotto. Se il problema persiste, contattare un rivenditore autorizzato con assistenza.
Luce bianca lampeggiante	È necessario aggiornare il firmware. Rivolgersi al proprio rappresentante Husqvarna.
Luce gialla lampeggiante	Solo per la stazione di riferimento in modalità ripetitore: La stazione di riferimento in modalità ripetitore non è connessa alla stazione di riferimento principale. La stazione di riferimento è in modalità di avvio o non è collegata alla stazione di riferimento principale. In assenza di connessione, esaminare la stazione di riferimento principale o il ripetitore più vicino.

---

## 63 Conservazione e smaltimento

---

### 63.1 Rimessaggio

Se la stazione di riferimento viene riposta al chiuso, tenere il braccio installato sul palo o sulla parete per poter installare nuovamente la stazione di riferimento nella posizione originale.

Se si tiene la stazione di riferimento all'aperto durante l'inverno, si consiglia di mantenere l'alimentatore collegato.

### 63.2 Smaltimento

Rispettare le norme locali sul riciclaggio e le normative vigenti.

## 64 Dati tecnici

### 64.1 Dati tecnici

Dimensioni	
Lunghezza, cm/poll.	17/6,7
Larghezza, cm/poll.	16/6,3
Altezza, cm/poll.	22/8,7
Peso, kg/lb	0,5/1,1

Dati del prodotto	
Tipo di alimentatore	FW7313/28/D/XX/Y/1.3
Ingresso alimentatore, V AC	100-240
Uscita alimentatore, V DC	28
Uscita alimentatore, A	1,3
Cavo a bassa tensione, lunghezza m/ft	20 / 66
Stazione di riferimento con codice IP	IPX5
Alimentatore con codice IP	IP44
Consumo energetico, W	2,8

Supporto banda di frequenza	
Intervallo di frequenza Bluetooth® (per la manutenzione)	2400,0-2483,5 MHz
SRD868 (Europa)	863-870 MHz
SRD915 (Nord America)	902-928 MHz
SRD915 (Australia)	915-928 MHz
SRD915 (Nuova Zelanda)	915-928 MHz

Classe di potenza	
Potenza di uscita Bluetooth® (per la manutenzione)	8 dBm
SRD868 (Europa)	13 dBm
SRD915 (Nord America)	13 dBm
SRD915 (Australia)	13 dBm
SRD915 (Nuova Zelanda)	13 dBm

Non è possibile garantire la piena compatibilità tra il prodotto e altri tipi di sistemi wireless, quali telecomandi e radiotrasmettitori.



## 64.2 Marchi registrati

Il marchio denominativo e i logo *Bluetooth®* sono marchi registrati di proprietà di *Bluetooth SIG, inc.* e qualsiasi utilizzo di tali marchi da parte di Husqvarna è soggetto a licenza.

## 65 Dichiarazione di conformità UE

### 65.1 Dichiarazione di conformità UE originale

#### EU Declaration of Conformity

ROB-CEPOS\_RS1-24-1E

We, Husqvarna AB, SE 561 82 Huskvarna, SWEDEN, Tel. +46 36 146500 declare on our sole responsibility that the products:

Description	Communication kit
Brand	HUSQVARNA
Type / Model	HUSQVARNA EPOS™ RS1 Reference Station Type 19.3.1
Identification	Serial numbers dating from 2023 week 51

complies fully with the following EU directives and regulations:

Directive/Regulation	Description
2014/53/EU	"relating to radio equipment"
2011/65/EU	"restriction of use of certain hazardous substances"

and that the following standards and/or technical specifications are applied;

EN 62368-1:2014+A11:2017  
EN IEC 63000:2018  
EN 55032:2015  
ETSI EN 301 489-1 V1.9.2  
ETSI EN 301 489-1 V2.2.3  
ETSI EN 301 489-3 V2.3.2  
ETSI EN 301 489-17 V3.2.4  
ETSI EN 301 489-17 V3.2.6  
ETSI EN 301 489-19 V2.1.1  
ETSI EN 300 328 2.2.2  
ETSI EN 300 220-1 V3.1.1  
ETSI EN 300 220-2 V3.2.1  
ETSI EN 303 413 V1.2.1

  
Sara Gard (Mar 8, 2024 15:26 GMT+1)

Sara Gard  
Huskvarna

Director Residential EPAC Robotic R&D  
Husqvarna AB, Husqvarna Forest & Garden  
Responsible for technical documentation



## 65.2 Dichiarazione di conformità UE tradotta

Husqvarna, Husqvarna AB, SE 561 82 Huskvarna,  
SWEDEN, Tel. +46 36 146500 dichiara sotto la propria  
esclusiva responsabilità che il prodotto indicato:

Descrizione	Kit di comunicazione
Marchio	HUSQVARNA
Tipo/Modello	HUSQVARNA EPOS™ RS1 Reference Station Type 19.3.1
Identificazione	Numeri di serie del 2023 settimana 51

È pienamente conforme ai seguenti regolamenti e  
direttive UE:

Direttiva/Regolamento	Descrizione
2014/53/EU	"Relativa alle apparecchiature radio"
2011/65/EU	"Restrizione dell'uso di determinate sostanze pericolose"

e che sono applicati gli standard e/o le specifiche  
tecniche seguenti;

- EN 62368-1:2014+A11:2017
- EN IEC 63000:2018
- EN 55032:2015
- ETSI EN 301 489-1 V1.9.2
- ETSI EN 301 489-1 V2.2.3
- ETSI EN 301 489-3 V2.3.2
- ETSI EN 301 489-17 V3.2.4
- ETSI EN 301 489-17 V3.2.6
- ETSI EN 301 489-19 V2.1.1
- ETSI EN 300 328 2.2.2
- ETSI EN 300 220-1 V3.1.1
- ETSI EN 300 220-2 V3.2.1
- ETSI EN 303 413 V1.2.1

Sara Gard

Huskvarna

Direttore Residential EPAC Robotic R&D Husqvarna  
AB, Husqvarna Forest & Garden, Responsabile della  
documentazione tecnica.



---

## Contenido

---

66 Seguridad.....	92	70 Resolución de problemas.....	99
67 Introducción.....	93	71 Almacenamiento y desecho.....	99
68 Instalación.....	96	72 Datos técnicos.....	100
69 Mantenimiento.....	99	73 Declaración de conformidad CE.....	101

---

## 66 Seguridad

---

### 66.1 Definiciones de seguridad

Las advertencias, precauciones y notas se utilizan para destacar información especialmente importante del manual.



**ADVERTENCIA:** Indica un riesgo de lesiones o incluso de muerte del usuario o de las personas cercanas si no se respetan las instrucciones del manual.



**PRECAUCIÓN:** Indica un riesgo de daños en el producto, otros materiales o el área adyacente si no se respetan las instrucciones del manual.

**Nota:** Se usa para proporcionar más información necesaria en una situación determinada.

### 66.2 Instrucciones generales de seguridad



**ADVERTENCIA:** Lea las siguientes instrucciones de advertencia antes de utilizar el producto.

- Cumpla con las normas de su país relativas a la seguridad eléctrica.
- El producto solo se puede utilizar con una unidad de alimentación suministrada por Husqvarna.
- El producto solo se puede utilizar con el equipo recomendado por el fabricante. Todos los demás usos son inadecuados. Se deben seguir con precisión las instrucciones del fabricante en lo que respecta al funcionamiento y el mantenimiento.
- Este producto solamente lo podrán manejar, mantener y reparar aquellas personas que conozcan perfectamente sus reglas de seguridad y características especiales. Lea detenidamente el manual de usuario y asegúrese de entender su contenido antes de utilizar el producto.

- Husqvarna no garantiza la total compatibilidad entre el producto y otro tipo de sistemas inalámbricos, como mandos a distancia, radiotransmisores, bucles magnéticos, vallas eléctricas enterradas para animales o similares.
- No está permitido modificar el diseño original del producto. Todas las modificaciones se harán por su cuenta y riesgo.
- Examine el producto en busca de daños antes de ponerlo en marcha. No utilice el producto si está dañado.
- La temperatura de funcionamiento oscila entre -20 °C y 45 °C (-4 °F y 113 °F). La temperatura de almacenamiento oscila entre -20 °C y 70 °C (-4 °F y 158 °F).

### 66.3 Instrucciones de seguridad para la instalación



**ADVERTENCIA:** Lea las siguientes instrucciones de advertencia antes de utilizar el producto.

- No coloque la fuente de alimentación en un lugar donde se pueda mojar. No coloque la fuente de alimentación en el suelo.
- No encapsule la fuente de alimentación. El agua condensada puede dañar la fuente de alimentación y aumentar el riesgo de descarga eléctrica.
- Riesgo de descarga eléctrica. Instale siempre un interruptor diferencial (RCD) antes de conectar la fuente de alimentación a la toma de corriente. Aplicable a EE. UU./Canadá. Si la fuente de alimentación se instala en el exterior: Riesgo de descarga eléctrica. Conecte el dispositivo siempre a una toma de Clase A GFCI (RCD) con tapa cuya carcasa sea estanca tanto con la clavija enchufada o no.
- Asegúrese de que los enchufes del cable de baja tensión y de la fuente de alimentación están limpios y secos antes de conectarlos.
- Existe riesgo de caída de objetos durante la instalación de la estación de referencia. Esta situación podría ocasionar lesiones.

- El cable de alimentación y el cable alargador deben estar fuera del área de trabajo para evitar daños en los cables.
- Si instala la estación de referencia en un punto elevado, existe el riesgo de caídas. Sitúese de tal manera que no pueda perder el equilibrio cuando instale la estación de referencia.

- Desconecte el producto de la toma de corriente antes de limpiarlo o de someterlo a operaciones de mantenimiento.

## 66.4 Instrucciones de seguridad para el mantenimiento



**ADVERTENCIA:** Lea las siguientes instrucciones de advertencia antes de utilizar el producto.

## 66.5 En caso de tormenta eléctrica

Para reducir el riesgo de daños en los componentes eléctricos de la estación de referencia, recomendamos desconectar la fuente de alimentación de la estación de referencia si existe riesgo de tormenta eléctrica. Vuelva a conectar la fuente de alimentación cuando desaparezca el riesgo de tormenta eléctrica.

# 67 Introducción

## 67.1 Introducción

N.º de serie:	
N.º de producto:	

El número de serie se encuentra en la placa de características y en el embalaje del producto. Utilice el número de serie para registrar su producto en [www.husqvarna.com](http://www.husqvarna.com).

### 67.1.1 Asistencia

Para obtener asistencia sobre el producto, póngase en contacto con su distribuidor Husqvarna.

### 67.1.2 Descripción del producto

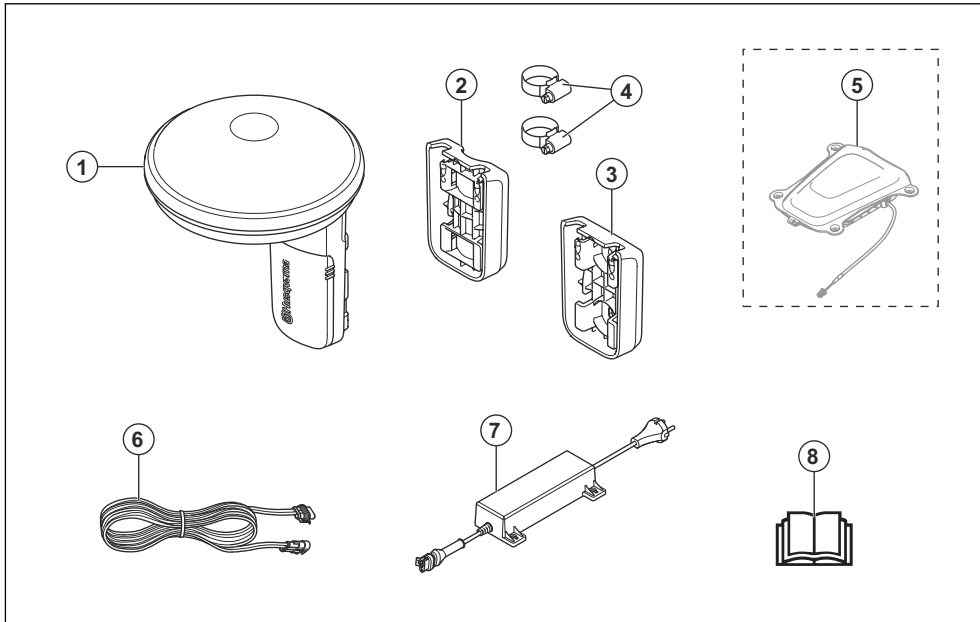
**Nota:** Husqvarna actualiza periódicamente el aspecto y el funcionamiento de los productos. Consulte *Asistencia en la página 93*.

La estación de referencia EPOS™ recibe señales por satélite y envía datos de corrección al robot cortacésped.

### 67.1.3 Descripción del sistema

El sistema EPOS™ incluye un robot cortacésped, una estación de carga y una estación de referencia. El robot cortacésped y la estación de referencia reciben señales de posicionamiento por satélite. La estación de referencia es estática y envía datos de corrección al robot cortacésped para obtener una posición precisa de este último. El área de trabajo se crea virtualmente mediante una aplicación; para ello, se hace funcionar el producto y se añaden puntos de referencia a fin de trazar un mapa en la aplicación.

## 67.1.4 Descripción del producto

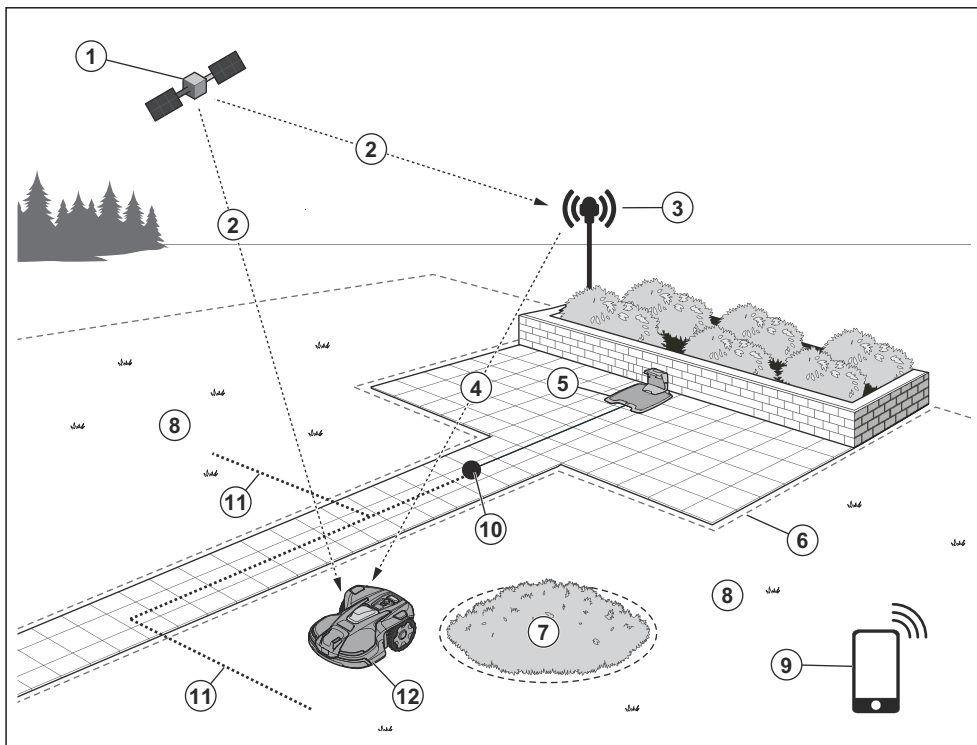


1. Estación de referencia
2. Soporte para poste
3. Soporte para pared
4. Abrazaderas para manguera
5. Automower® EPOS™ Plug-in<sup>41</sup>
6. Cable de baja tensión
7. Fuente de alimentación<sup>42</sup>
8. Manual de usuario

<sup>41</sup> Se adquiere por separado. El aspecto puede ser diferente dependiendo de los distintos modelos.

<sup>42</sup> El aspecto puede ser diferente dependiendo de los distintos mercados.

## 67.1.5 Descripción general del sistema



1. Satélites
2. Señales por satélite
3. Estación de referencia
4. Datos de corrección
5. Estación de carga<sup>43</sup>
6. Perímetro virtual
7. Zona a evitar
8. Área de trabajo
9. Dispositivo móvil<sup>44</sup>
10. Punto de acoplamiento
11. Ruta de paso
12. Robot cortacésped con kit accesorio EPOS™ Plug-in<sup>45</sup>

## 67.1.6 Símbolos que aparecen en el producto

Puede encontrar estos símbolos en el producto. Asegúrese de comprender su significado.



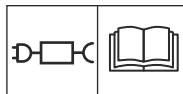
Este producto cumple con las directivas vigentes de la UE.



Este producto cumple con las directivas vigentes del Reino Unido.



No está permitido desechar el producto como residuo doméstico normal. Respete las normativas nacionales y utilice el sistema de reciclaje local.



Utilice una fuente de alimentación extraíble conforme a lo especificado en la placa de características técnicas, junto al símbolo.

<sup>43</sup> No se incluye.

<sup>44</sup> No se incluye.

<sup>45</sup> Robot cortacésped no incluido.

**Nota:** Los demás símbolos y etiquetas que aparecen en el producto corresponden a requisitos de homologación específicos en algunos mercados.

### 67.1.7 Daños en el producto

No nos hacemos responsables de los daños que pueda sufrir el producto si:

- El producto se ha reparado incorrectamente.

- El producto se ha reparado con piezas que no eran del fabricante o no autorizadas por el fabricante.
- El producto tiene un accesorio que no es del fabricante o no está autorizado por este.
- El producto no se ha reparado en un centro de servicio autorizado o por un organismo homologado.

## 68 Instalación

### 68.1 Introducción sobre la instalación



**ADVERTENCIA:** Asegúrese de leer y comprender el capítulo sobre seguridad antes de instalar el producto.



**ADVERTENCIA:** Asegúrese de leer y comprender el capítulo sobre seguridad del manual del robot cortacésped antes de instalar el producto.



**PRECAUCIÓN:** Utilice material para la instalación y piezas de repuesto originales.

**Nota:** Consulte [www.husqvarna.com](http://www.husqvarna.com) para obtener más información acerca de la instalación.

### 68.2 Elección del lugar donde colocar la estación de referencia



**PRECAUCIÓN:** Si hay un pararrayos cerca, no instale la estación de referencia a una altura superior a la del pararrayos.



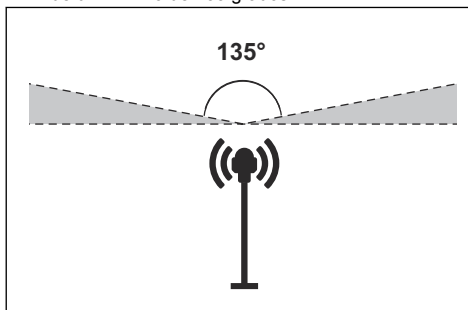
**PRECAUCIÓN:** No instale la estación de referencia en un mástil. Cualquier movimiento que se produzca en la estación de referencia influirá en los datos de corrección que se enviarán al producto con la posición exacta.

- Instale la estación de referencia en un objeto fijo que no se mueva ni gire.
- Instale la estación de referencia en un poste o en una pared. El poste debe tener un diámetro de 27-36 mm (1.1-2.2 pulg.) para poder usar

los accesorios de montaje de la estación de referencia.

**Nota:** Si la estación de referencia se monta en una pared, deberá situarse por encima de la pared. Los objetos metálicos pueden provocar interferencias con la señal de la estación de referencia.

- Asegúrese de que la estación de referencia tiene una vista completa del cielo. Esta vista debe ser de un mínimo de 135 grados.



- Instale la estación de referencia a una altura mínima de 2 m (6.5 pies).
- Asegúrese de que la distancia entre la estación de referencia y el robot cortacésped es inferior a 100 m (330 pies). Los objetos situados entre la estación de referencia y el robot cortacésped pueden hacer que esta distancia sea menor.

### 68.3 Determinar el lugar donde se colocará la fuente de alimentación



**ADVERTENCIA:** No corte el cable de baja tensión. Puede sufrir una descarga eléctrica.





**PRECAUCIÓN:** Tome todas las precauciones para que las cuchillas del robot cortacésped no puedan cortar los cables de alimentación.

- Coloque la fuente de alimentación en una zona a cubierto y protegida del sol y la lluvia.
- Coloque la fuente de alimentación en una zona bien ventilada.
- Utilice un dispositivo de corriente residual (RCD) cuando conecte la fuente de alimentación a la toma de corriente.
- Extienda el cable de baja tensión si es necesario. El cable de baja tensión se puede extender hasta 100 m (328 ft).

## 68.4 Instalación del producto

Lea detenidamente las instrucciones sobre la estación de referencia. Consulte la sección *Elección del lugar donde colocar la estación de referencia en la página 96*.

Lea el manual de usuario del robot cortacésped que va a utilizar con la estación de referencia.

Puede instalar la estación de referencia en un poste o en una pared.



**PRECAUCIÓN:** Cualquier movimiento que se produzca en la estación de referencia influirá en los datos de corrección que se enviarán al producto con la posición exacta. La estación de referencia debe instalarse firmemente en el poste o la pared.

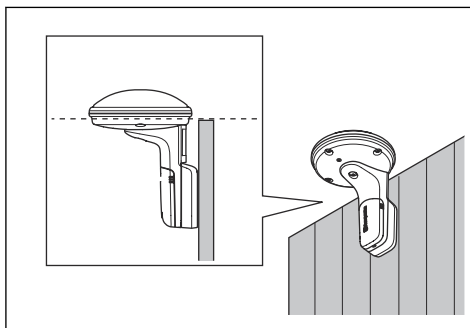


**PRECAUCIÓN:** Si mueve la estación de referencia, los elementos del mapa cambiarán de posición. Ajuste los elementos del mapa o vuelva a realizar la instalación en la aplicación Automower® Connect.

### 68.4.1 Instalación del soporte en la pared

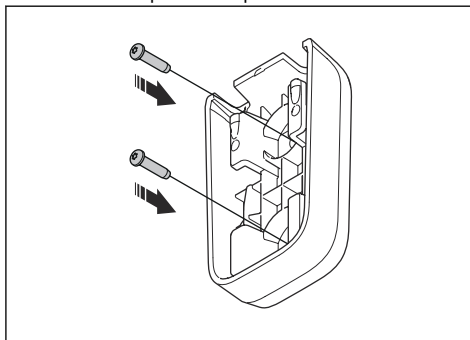
**Nota:** Los tornillos no están incluidos. Utilice tornillos adecuados para el material de la pared.

1. Sujete el brazo de la estación de referencia contra la pared. Realice 2 marcas en la pared para los 2 tornillos.



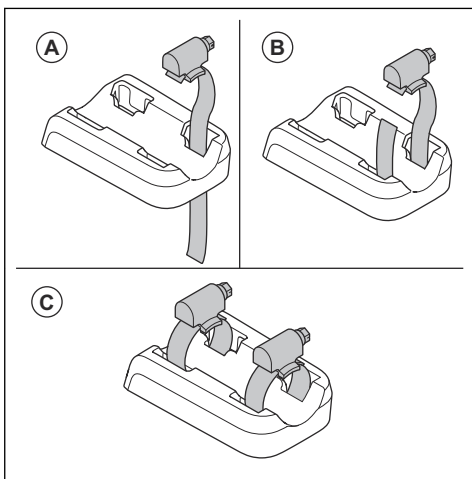
**Nota:** Asegúrese de que la parte superior de la estación de referencia quedará por encima de la pared.

2. Taladre orificios en las 2 marcas de la pared para los 2 tornillos.
3. Instale el soporte en la pared con los 2 tornillos.

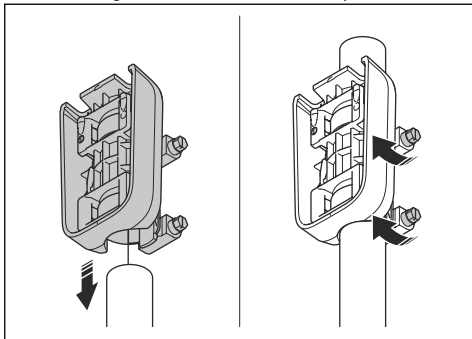


### 68.4.2 Instalación del soporte en un poste

1. Fije el poste firmemente a la pared, al tejado o al suelo. Asegúrese de que el poste no pueda moverse.
2. Coloque las abrazaderas de manguera a través de las ranuras de la parte trasera del soporte.

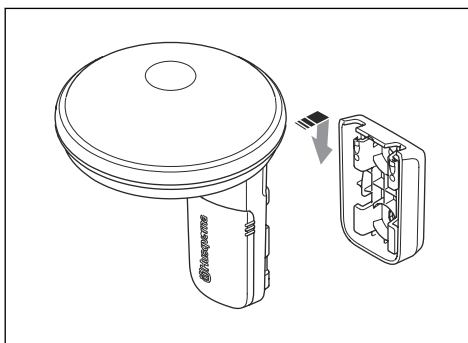


3. Fije el soporte al poste y apriete las abrazaderas de manguera con un destornillador plano.

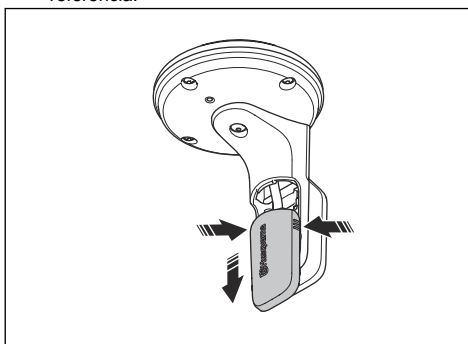


### 68.4.3 Instalación de la estación de referencia

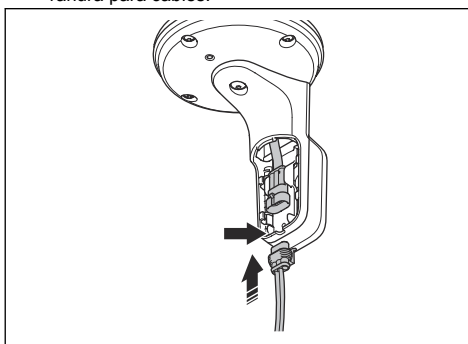
1. Sujete la estación de referencia por encima del soporte y alinee el brazo de la estación de referencia con las ranuras del soporte.
2. Deslice la estación de referencia hacia abajo para fijarla al soporte.



3. Presione la cubierta de los cables y desplácela hacia abajo para retirarla de la estación de referencia.



4. Conecte el cable de baja tensión a la estación de referencia. Coloque el cable de baja tensión en la ranura para cables.



5. Instale la cubierta de los cables.
6. Conecte el cable de baja tensión de la estación de referencia a la fuente de alimentación.
7. Fije el cable de baja tensión a la pared o al poste con bridas.



**PRECAUCIÓN:** Si el cable de baja tensión no está bien sujeto con bridas, puede resultar dañado en caso de soplar viento fuerte.

- Coloque la fuente de alimentación a 30-200 cm (1-6.5 pies), por encima del suelo. Consulte *Determinar el lugar donde se colocará la fuente de alimentación en la página 96.*

- Conecte el cable de la fuente de alimentación a una toma de corriente de 100-240 V.

**Nota:** El indicador LED de la estación de referencia parpadea en verde durante unos minutos. El indicador LED se ilumina en verde fijo cuando la estación de referencia está funcionando. Consulte *Luz indicadora LED de la estación de referencia en la página 99.*

## 69 Mantenimiento

### 69.1 Limpieza de la estación de referencia

Husqvarna recomienda utilizar un kit especial de limpieza y mantenimiento, disponible como accesorio. Póngase en contacto con su representante de Husqvarna para obtener más información.



**PRECAUCIÓN:** No utilice un equipo de limpieza de alta presión para limpiar el producto y la estación de carga. No utilice disolventes para la limpieza.

- Si es necesario, utilice un paño húmedo para limpiar el producto.

## 70 Resolución de problemas

### 70.1 Luz indicadora LED de la estación de referencia

Luz	Estado
Luz verde intermitente	Puesta en marcha de la estación de referencia. Espere unos minutos.
Luz verde fija	En funcionamiento.
Luz roja intermitente	La estación de referencia no funciona debido a un error. Desenchufe el cable de alimentación y vuelva a conectarlo para reiniciar el producto. Si el problema persiste, póngase en contacto con un taller de servicio autorizado.
Luz blanca intermitente	Hay que actualizar el firmware. Hable con su representante local de Husqvarna.
Luz amarilla intermitente	Solo para estación de referencia en modo repetidor: La estación de referencia en modo repetidor no tiene conexión con la estación de referencia principal. La estación de referencia está en modo de inicio o no tiene conexión con la estación de referencia principal. Si no hay conexión, examine la estación de referencia principal o el repetidor más cercano.

## 71 Almacenamiento y desecho

### 71.1 Almacenamiento

Si guarda la estación de referencia en un espacio cerrado, deje el brazo instalado en el poste o en la pared para poder montarla en el mismo sitio más adelante.

Si deja fuera la estación de referencia durante el invierno, le aconsejamos que deje la fuente de alimentación conectada.

### 71.2 Eliminación

Respete los requisitos de reciclaje locales y las normas aplicables.

## 72 Datos técnicos

### 72.1 Datos técnicos

Dimensiones	
Longitud, cm/pulg.	17/6,7
Anchura, cm/pulg.	16/6,3
Altura, cm/pulg.	22/8,7
Peso, kg/lb	0,5/1,1

Datos del producto	
Tipo de adaptador de corriente	FW7313/28/D/XX/Y/1.3
Entrada de fuente de alimentación, V CA	100-240
Salida de fuente de alimentación, V CC	28
Salida de fuente de alimentación, A	1,3
Cable de baja tensión, longitud, m/pies	20/66
Estación de referencia con código IP	IPX5
Fuente de alimentación con código IP	IP44
Consumo de energía, W	2,8

Banda de frecuencias compatible	
Rango de frecuencias Bluetooth® (para servicio)	2400,0-2483,5 MHz
SRD868 (Europa)	863-870 MHz
SRD915 (Norteamérica)	902-928 MHz
SRD915 (Australia)	915-928 MHz
SRD915 (Nueva Zelanda)	915-928 MHz

Intensidad de señal	
Potencia de salida Bluetooth® (para servicio)	8 dBm
SRD868 (Europa)	13 dBm
SRD915 (Norteamérica)	13 dBm
SRD915 (Australia)	13 dBm
SRD915 (Nueva Zelanda)	13 dBm

No se puede garantizar la compatibilidad total entre el producto y otros tipos de sistemas inalámbricos, como mandos a distancia y transmisores de radio.

### 72.2 Marcas comerciales registradas

Los logotipos y las denominaciones *Bluetooth®* son marcas comerciales registradas propiedad de *Bluetooth SIG, inc.* y su uso por parte de Husqvarna está sujeto a una licencia.

## 73 Declaración de conformidad CE

### 73.1 Declaración de conformidad UE original

#### EU Declaration of Conformity

ROB-CEPOS\_RS1-24-1E

We, Husqvarna AB, SE 561 82 Huskvarna, SWEDEN, Tel. +46 36 146500 declare on our sole responsibility that the products:

Description	Communication kit
Brand	HUSQVARNA
Type / Model	HUSQVARNA EPOS™ RS1 Reference Station Type 19.3.1
Identification	Serial numbers dating from 2023 week 51

complies fully with the following EU directives and regulations:

Directive/Regulation	Description
2014/53/EU	"relating to radio equipment"
2011/65/EU	"restriction of use of certain hazardous substances"

and that the following standards and/or technical specifications are applied;

EN 62368-1:2014+A11:2017  
EN IEC 63000:2018  
EN 55032:2015  
ETSI EN 301 489-1 V1.9.2  
ETSI EN 301 489-1 V2.2.3  
ETSI EN 301 489-3 V2.3.2  
ETSI EN 301 489-17 V3.2.4  
ETSI EN 301 489-17 V3.2.6  
ETSI EN 301 489-19 V2.1.1  
ETSI EN 300 328 2.2.2  
ETSI EN 300 220-1 V3.1.1  
ETSI EN 300 220-2 V3.2.1  
ETSI EN 303 413 V1.2.1

  
Sara Gard (Mar 6, 2024 15:26 GMT+1)

Sara Gard  
Huskvarna

Director Residential EPAC Robotic R&D  
Husqvarna AB, Husqvarna Forest & Garden  
Responsible for technical documentation



## 73.2 Declaración de conformidad UE traducida

Husqvarna AB, SE 561 82 Huskvarna, SWEDEN,  
Tel. +46 36 146500, declara bajo su exclusiva  
responsabilidad que el producto:

Descripción	Kit de comunicación
Marca	HUSQVARNA
Tipo/Modelo	HUSQVARNA EPOS™ RS1 Reference Station Type 19.3.1
Identificación	Números de serie con fecha a partir de la semana 51 de 2023

Cumple las siguientes directivas y normas de la UE:

Directiva/Norma	Descripción
2014/53/EU	"Relativa a equipos de radio"
2011/65/EU	"Restricciones a la utilización de determinadas sustancias peligrosas"

Y que se aplican las especificaciones técnicas o los estándares siguientes:

- EN 62368-1:2014+A11:2017
- EN IEC 63000:2018
- EN 55032:2015
- ETSI EN 301 489-1 V1.9.2
- ETSI EN 301 489-1 V2.2.3
- ETSI EN 301 489-3 V2.3.2
- ETSI EN 301 489-17 V3.2.4
- ETSI EN 301 489-17 V3.2.6
- ETSI EN 301 489-19 V2.1.1
- ETSI EN 300 328 2.2.2
- ETSI EN 300 220-1 V3.1.1
- ETSI EN 300 220-2 V3.2.1
- ETSI EN 303 413 V1.2.1

Sara Gard

Huskvarna

Directora Residential EPAC Robotic R&D Husqvarna  
AB, Husqvarna Forest & Garden, Responsable de la  
documentación técnica.



---

## Inhalt

---

74 Sicherheit.....	103	79 Lagerung und Entsorgung.....	110
75 Einleitung.....	104	80 Entsorgen von Elektro- und Elektronik- Altgeräten .....	111
76 Installation.....	107	81 Technische Angaben.....	112
77 Wartung.....	110	82 EU-Konformitätserklärung.....	113
78 Fehlerbehebung.....	110		

---

## 74 Sicherheit

---

### 74.1 Sicherheitsdefinitionen

Warnungen, Vorsichtsmaßnahmen und Hinweise werden verwendet, um auf besonders wichtige Teile der Bedienungsanleitung hinzuweisen.



**WARNUNG:** Wird verwendet, wenn bei Nichtbeachtung der Anweisungen in diesem Handbuch die Gefahr von Verletzung oder Tod des Bedieners oder anderer Personen besteht.



**ACHTUNG:** Wird verwendet, wenn bei Nichtbeachtung der Anweisungen in diesem Handbuch die Gefahr von Schäden am Gerät, an anderen Materialien oder in der Umgebung besteht.

**Hinweis:** Für weitere Informationen, die in bestimmten Situationen nötig sind.

### 74.2 Allgemeine Sicherheitshinweise



**WARNUNG:** Lesen Sie die folgenden Warnhinweise, bevor Sie das Gerät benutzen.

- Beachten Sie nationale Vorschriften über elektrische Sicherheit.
- Das Gerät darf nur mit dem von Husqvarna zur Verfügung gestellten Netzteil betrieben werden.
- Das Gerät darf nur mit dem durch den Hersteller empfohlenen Zubehör verwendet werden. Andere Verwendungsarten sind nicht zulässig. Die Anweisungen des Herstellers hinsichtlich Betrieb/ Wartung sind genau einzuhalten.
- Das Gerät darf nur von Personen betrieben, gewartet und repariert werden, die mit dessen Eigenschaften und den beim Gebrauch einzuhaltenden Sicherheitsvorschriften völlig

vertraut sind. Lesen Sie die Bedienungsanleitung sorgfältig durch und machen Sie sich mit dem Inhalt vertraut, bevor Sie das Gerät benutzen.

- Husqvarna übernimmt keine Garantie für die vollständige Kompatibilität zwischen dem Gerät und anderen kabellosen Systemen wie Fernbedienungen, Sendern, im Boden verlegten elektrischen Umzäunungen von Viehweiden o. Ä.
- Es ist nicht gestattet, das Originaldesign des Geräts zu verändern. Alle diesbezüglichen Veränderungen erfolgen auf eigene Gefahr.
- Prüfen Sie das Gerät auf Schäden, bevor Sie es starten. Verwenden Sie das Gerät nicht, wenn es beschädigt ist.
- Die Betriebstemperatur liegt bei -20 bis 45 °C/-4 bis 113 °F. Die Lagerungstemperatur liegt bei -20 bis 70 °C/-4 bis 158 °F.

### 74.3 Sicherheitshinweise für die Installation



**WARNUNG:** Lesen Sie die folgenden Warnhinweise, bevor Sie das Gerät benutzen.

- Positionieren Sie das Netzteil so, dass es nicht nass werden kann. Positionieren Sie das Netzteil nicht auf dem Boden.
- Bedecken Sie das Netzteil nicht. Kondenswasser kann dem Netzteil schaden und das Risiko eines Stromschlags erhöhen.
- Es besteht Stromschlaggefahr. Verwenden Sie beim Anschluss des Netzteils an die Steckdose einen Fehlerstromschutzschalter (RCD). Gültig für USA/Kanada. Wenn das Netzteil im Freien installiert wird: Es besteht Stromschlaggefahr. Nur an einer Steckdose der Klasse A mit FI-Schutz (RCD) mit witterungsbeständigem Gehäuse installieren, bei dem die Verschlusskappe eingefügt oder entfernt wurde.
- Achten Sie darauf, dass die Stecker des Niederspannungskabels und des Netzteils sauber und trocken sind, bevor Sie sie anschließen.

- Bei der Installation der Referenzstation besteht die Gefahr von herabfallenden Objekten. Dies kann zu Verletzungen führen.
- Netzkabel und Verlängerungskabel müssen sich außerhalb des Arbeitsbereichs befinden, damit sie nicht beschädigt werden.
- Es besteht Sturzgefahr, wenn Sie die Referenzstation in einer hohen Position installieren. Stellen Sie sicher, dass Sie eine stabile Position haben, wenn Sie die Referenzstation installieren.

- Trennen Sie das Gerät von der Stromversorgung, bevor Sie es reinigen oder warten.

## 74.5 Bei Gewitter

Um das Risiko von Schäden an elektrischen Komponenten in der Referenzstation zu verringern, empfehlen wir, das Netzteil der Referenzstation bei Gewittergefahr vom Stromnetz zu trennen. Schließen Sie das Netzteil wieder an das Stromnetz an, wenn keine Gewittergefahr mehr besteht.

## 74.4 Sicherheitshinweise für die Wartung



**WARNUNG:** Lesen Sie die folgenden Warnhinweise, bevor Sie das Gerät benutzen.

# 75 Einleitung

## 75.1 Einleitung

<b>Seriennummer:</b>	
<b>Artikelnummer:</b>	

Die Seriennummer befindet sich auf dem Typenschild und auf dem Karton des Geräts. Verwenden Sie die Seriennummer, um Ihr Gerät auf [www.husqvarna.com](http://www.husqvarna.com) zu registrieren.

### 75.1.1 Support

Wenden Sie sich an Ihren Husqvarna Servicehändler, um Support für das Gerät zu erhalten.

### 75.1.2 Gerätebeschreibung

**Hinweis:** Husqvarna aktualisiert regelmäßig das Erscheinungsbild und die Funktionsweise der Geräte. Siehe *Support auf Seite 104*.

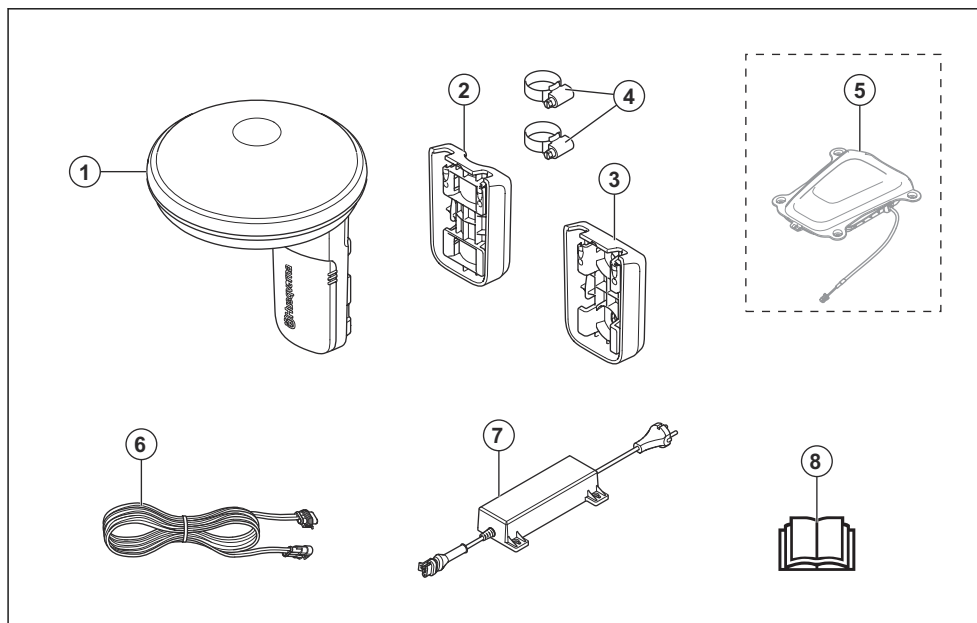
Die EPOS™-Referenzstation empfängt Satellitensignale und sendet Korrekturdaten an den Mähroboter.

### 75.1.3 Systembeschreibung

Das EPOS™-System umfasst einen Mähroboter, eine Ladestation und eine Referenzstation. Der Mähroboter und die Referenzstation empfangen Satellitensignale zur Positionierung. Die Referenzstation ist stationär und sendet Korrekturdaten an den Mähroboter, um eine genaue Position des Mähers zu erhalten. Der Arbeitsbereich wird virtuell in einer App erstellt. Mit ihr wird das Gerät bedient, und Wegpunkte werden hinzugefügt, um in der App eine Karte zu erstellen.



## 75.1.4 Geräteübersicht

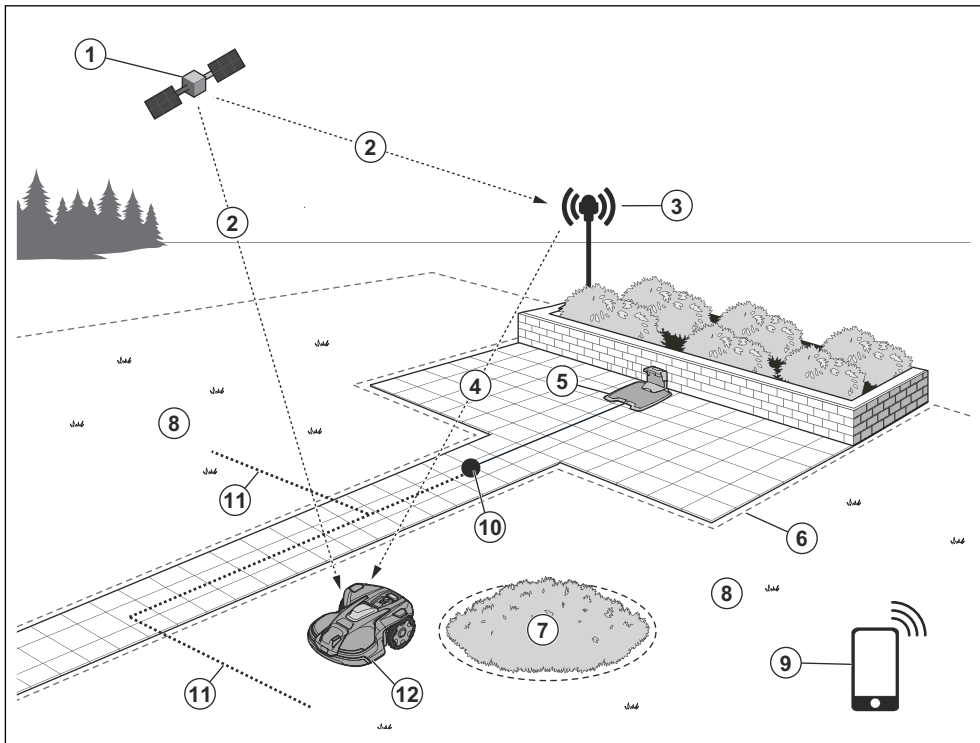


1. Referenzstation
2. Masthalterung
3. Wandhalterung
4. Schlauchschellen
5. Automower® EPOS™ Plug-in<sup>46</sup>
6. Niederspannungskabel
7. Netzteil<sup>47</sup>
8. Bedienungsanleitung

<sup>46</sup> Separat erhältlich. Das Erscheinungsbild kann je nach Modell unterschiedlich sein.

<sup>47</sup> Das Erscheinungsbild kann je nach Markt unterschiedlich sein.

## 75.1.5 Systemüberblick



1. Satelliten
2. Satellitensignale
3. Referenzstation
4. Korrekturdaten
5. Ladestation<sup>48</sup>
6. Virtuelle Begrenzung
7. Verbotener Bereich
8. Arbeitsbereich
9. Mobilgerät<sup>49</sup>
10. Andockpunkt
11. Transportweg
12. Mähroboter mit EPOS™ Plug-in-Kit<sup>50</sup>

### 75.1.6 Symbole auf dem Gerät

Diese Symbole befinden sich auf dem Gerät. Stellen Sie sicher, dass Sie sie verstanden haben.



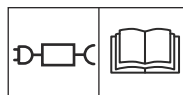
Dieses Gerät entspricht den geltenden EU-Richtlinien.



Dieses Gerät entspricht den geltenden Richtlinien für GB.



Es ist nicht zulässig, dieses Gerät über den normalen Hausmüll zu entsorgen. Befolgen Sie die nationalen Vorschriften und verwenden Sie das lokale Recyclingsystem.



Verwenden Sie ein abnehmbares Netzteil, wie auf dem Typenschild neben dem Symbol angegeben.

<sup>48</sup> Nicht im Lieferumfang enthalten.

<sup>49</sup> Nicht im Lieferumfang enthalten.

<sup>50</sup> Mähroboter nicht im Lieferumfang enthalten

**Hinweis:** Sonstige Symbole/Aufkleber auf dem Gerät beziehen sich auf Zertifizierungsanforderungen, die in einigen Märkten gelten.

### 75.1.7 Produktschäden

Wir haften nicht für Schäden an unserem Produkt, wenn:

- das Gerät nicht ordnungsgemäß repariert wird.

- das Gerät mit Teilen repariert wird, die nicht vom Hersteller stammen oder nicht vom Hersteller zugelassen sind.
- ein Zubehörteil mit dem Gerät verwendet wird, das nicht vom Hersteller stammt oder nicht vom Hersteller zugelassen ist.
- das Gerät nicht bei einem zugelassenen Service Center oder von einem zugelassenen Fachmann repariert wird.

## 76 Installation

### 76.1 Einführung – Installation



**WARNUNG:** Lesen Sie vor der Installation des Geräts das Kapitel über Sicherheit, und machen Sie sich damit vertraut.



**WARNUNG:** Lesen Sie das Kapitel „Sicherheit“ im Handbuch für den Mähroboter, bevor Sie das Gerät installieren.



**ACHTUNG:** Verwenden Sie Originalersatzteile und Originalinstallationsmaterial.

**Hinweis:** Weitere Informationen zur Installation finden Sie unter [www.husqvarna.com](http://www.husqvarna.com).

### 76.2 So finden Sie die richtige Position für die Referenzstation



**ACHTUNG:** Wenn sich ein Blitzableiter in der Nähe befindet, montieren Sie die Referenzstation nicht höher als den Blitzableiter.



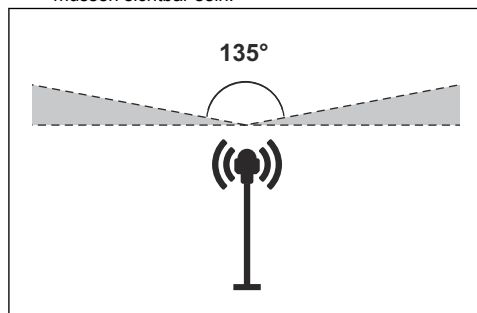
**ACHTUNG:** Installieren Sie die Referenzstation nicht an einem Fahnenmast. Bewegungen der Referenzstation wirken sich auf die Korrekturdaten aus, die mit der korrekten Position an das Gerät gesendet werden.

- Installieren Sie die Referenzstation an einem feststehenden Objekt, das sich nicht bewegen oder drehen kann.

- Installieren Sie die Referenzstation an einem Pfosten oder einer Wand. Der Pfosten muss einen Durchmesser von 27-36 mm/1.1-2.2 Zoll haben, um die Befestigungen an der Referenzstation anbringen zu können.

**Hinweis:** Wenn die Referenzstation an einer Wand montiert wird, muss die Oberseite der Referenzstation über die Wand hinausragen. Gegenstände aus Metall können das Signal der Referenzstation stören.

- Stellen Sie sicher, dass sich zwischen Referenzstation und Himmel keine empfangsbeeinträchtigenden Hindernisse befinden. Mindestens 135 Grad des Himmels müssen sichtbar sein.



- Installieren Sie die Referenzstation auf einer Mindesthöhe von 2 m / 6.5 ft.
- Stellen Sie sicher, dass der Abstand zwischen der Referenzstation und dem Mähroboter weniger als 100 m/330 ft. beträgt. Objekte, die sich zwischen der Referenzstation und dem Mähroboter befinden, können den Abstand verringern.

### 76.3 So finden Sie die richtige Position für das Netzteil



**WARNUNG:** Kürzen Sie nicht das Niederspannungskabel. Es besteht die Gefahr eines Stromschlags.



**ACHTUNG:** Stellen Sie sicher, dass die Klingen des Mähroboters die Stromkabel nicht durchtrennen.

- Stellen Sie das Netzteil in einem Bereich mit einem Dach und Schutz vor Sonne und Regen auf.
- Stellen Sie das Netzteil in einem Bereich mit guter Luftzirkulation auf.
- Verwenden Sie einen Fehlerstromschutzschalter (RCD), wenn Sie das Netzteil an eine Steckdose anschließen.
- Verlängern Sie ggf. das Niederspannungskabel. Das Niederspannungskabel kann auf bis zu 100 m / 328 ft. verlängert werden.

### 76.4 Installation des Geräts

Lesen Sie die Anweisungen zur Referenzstation und machen Sie sich damit vertraut. Siehe *So finden Sie die richtige Position für die Referenzstation auf Seite 107*.

Lesen Sie die Bedienungsanleitung für den Mähroboter, der zusammen mit der Referenzstation verwendet werden soll.

Sie können die Referenzstation an einem Pfosten oder einer Wand installieren.



**ACHTUNG:** Bewegungen der Referenzstation wirken sich auf die Korrekturdaten aus, die mit der korrekten Position an das Gerät gesendet werden. Die Referenzstation muss fest am Pfosten oder an der Wand installiert werden.

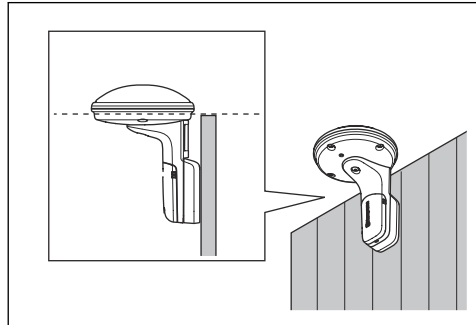


**ACHTUNG:** Die Elemente auf der Karte ändern ihre Position, wenn Sie die Referenzstation bewegen. Passen Sie die Elemente auf der Karte an, oder führen Sie die Installation in der Automower® Connect App erneut durch.

#### 76.4.1 So befestigen Sie die Halterung an einer Wand

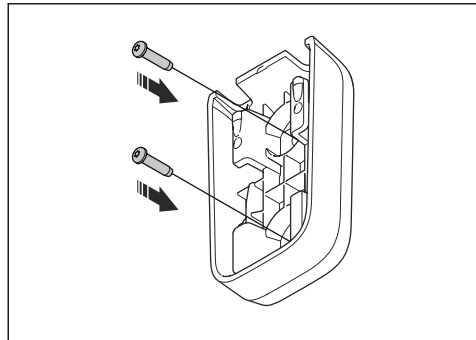
**Hinweis:** Schrauben sind nicht im Lieferumfang enthalten. Verwenden Sie Schrauben, die für das Material der Wand geeignet sind.

1. Halten Sie den Arm der Referenzstation an die Wand. Bringen Sie an der Wand 2 Markierungen für die 2 Schrauben an.



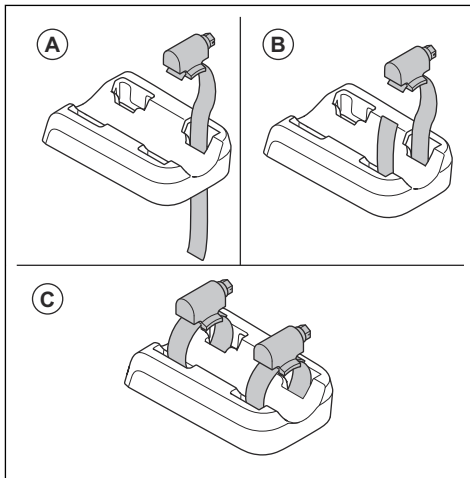
**Hinweis:** Stellen Sie sicher, dass sich die Oberseite der Referenzstation über der Wand befindet.

2. Bohren Sie an den Markierungen 2 Löcher für die 2 Schrauben in die Wand.
3. Befestigen Sie die Halterung mit den 2 Schrauben an der Wand.

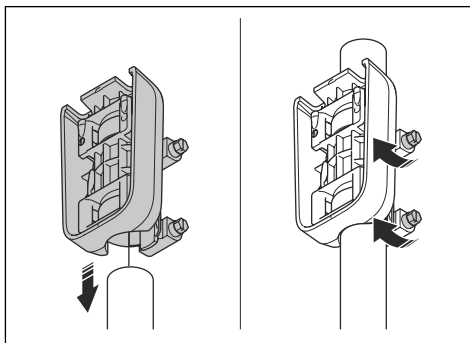


#### 76.4.2 So befestigen Sie die Halterung an einem Mast

1. Befestigen Sie den Mast fest an einer Wand, einem Dach oder am Boden. Sorgen Sie dafür, dass sich der Mast nicht bewegen kann.
2. Führen Sie die Schlauchklemmen durch den Schlitz auf der Rückseite der Halterung.

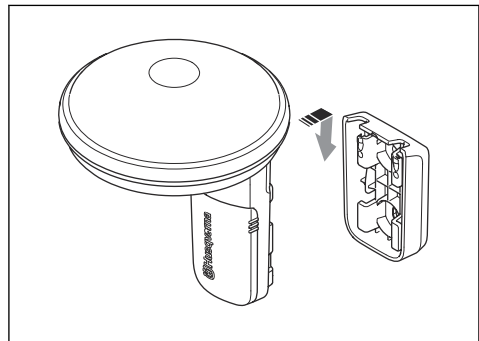


3. Befestigen Sie die Halterung am Mast und ziehen Sie die Schlauchklemmen mit einem Schlitzschraubenzieher fest.

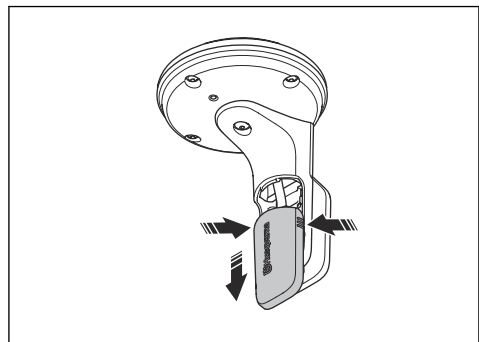


### 76.4.3 So installieren Sie die Referenzstation

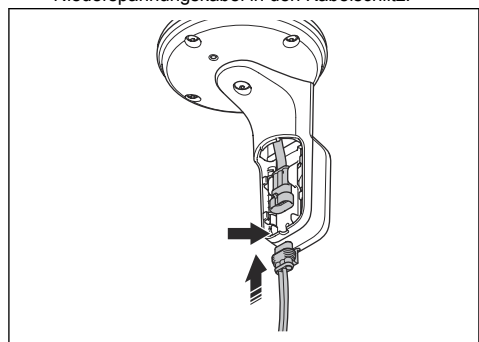
1. Halten Sie die Referenzstation über die Halterung und richten Sie den Arm der Referenzstation an den Schlitz in der Halterung aus.
2. Drücken Sie die Referenzstation nach unten, um sie an der Halterung zu befestigen.



3. Drücken und halten Sie die Kabelabdeckung und bewegen Sie sie nach unten, um sie von der Referenzstation zu entfernen.



4. Verbinden Sie das Niederspannungskabel mit der Referenzstation. Stecken Sie das Niederspannungskabel in den Kabelschlitz.



5. Montieren Sie die Kabelabdeckung.
6. Schließen Sie das Niederspannungskabel aus der Referenzstation an das Netzteil an.
7. Befestigen Sie das Niederspannungskabel mit Kabelbindern an der Wand oder am Mast.



**ACHTUNG:** Wenn das Niederspannungskabel nicht fest mit Kabelbindern befestigt wird, kann es bei starkem Wind beschädigt werden.

8. Stellen Sie das Netzteil 30-200 cm/1-6.5 ft. über den Boden. Siehe *So finden Sie die richtige Position für das Netzteil auf Seite 108*.
9. Schließen Sie das Netzteil an eine Steckdose mit 100–240 V an.

**Hinweis:** Die LED-Anzeige der Referenzstation blinkt einige Minuten lang grün. Die LED-Anzeige leuchtet durchgehend grün, wenn die Referenzstation in Betrieb ist. Siehe *LED-Anzeigelampe an der Referenzstation auf Seite 110*.

## 77 Wartung

### 77.1 So reinigen Sie die Referenzstation

Husqvarna empfiehlt die Verwendung eines speziellen Reinigungs- und Wartungskits, das als Zubehör erhältlich ist. Ihr Husqvarna-Vertreter steht Ihnen gern für weitere Informationen zur Verfügung.



**ACHTUNG:** Verwenden Sie zum Reinigen des Geräts und der Ladestation keinen Hochdruckreiniger. Verwenden Sie zum Reinigen kein Lösungsmittel.

- Falls notwendig, verwenden Sie ein feuchtes Tuch zum Reinigen des Geräts.

## 78 Fehlerbehebung

### 78.1 LED-Anzeigelampe an der Referenzstation

Lampe	Status
Grünes Blinklicht	Inbetriebnahme der Referenzstation. Warten Sie einige Minuten.
Grünes Dauerlicht	In Betrieb.
Rotes Blinklicht	Die Referenzstation funktioniert aufgrund eines Fehlers nicht. Ziehen Sie das Netzkabel ab, und schließen Sie es erneut an, um das Gerät neu zu starten. Falls das Problem weiter besteht, einen autorisierten Fachhändler kontaktieren.
Weißes Blinklicht	Firmware-Aktualisierung ist erforderlich. Ihren lokalen Husqvarna Vertreter kontaktieren.
Gelbes Blinklicht	Nur für Referenzstationen im Repeater-Modus: Die Referenzstation im Repeater-Modus hat keine Verbindung zur Hauptreferenzstation. Die Referenzstation befindet sich im Startmodus oder hat keine Verbindung zur Hauptreferenzstation. Wenn keine Verbindung besteht, überprüfen Sie die Hauptreferenzstation oder den nächstgelegenen Repeater.

## 79 Lagerung und Entsorgung

### 79.1 Lagerung

Wenn Sie die Referenzstation in Innenräumen lagern, lassen Sie den Arm am Pfosten oder an der Wand installiert, um die Referenzstation wieder an ihrer ursprünglichen Position installieren zu können.

Wenn Sie die Referenzstation im Winter im Freien lagern, empfehlen wir Ihnen, das Netzteil angeschlossen zu lassen.

### 79.2 Entsorgung

Befolgen Sie die örtlichen Recyclinganforderungen und geltenden Vorschriften.

---

## 80 Entsorgen von Elektro- und Elektronik-Altgeräten

---

Gilt nur für Deutschland



Die durchgestrichene Abfalltonne weist darauf hin, dass Sie gesetzlich verpflichtet sind, dieses Gerät getrennt vom unsortierten Siedlungsabfall zu entsorgen. Die Entsorgung im Restmüll oder im gelben Sack ist verboten. Wenn das Produkt Einwegbatterien oder Akkus enthält, die nicht dauerhaft installiert sind, müssen diese vor der Entsorgung des Produkts entfernt und separat als Batterien bzw. Akkus entsorgt werden.

### Informationen zur Rückgabe von Elektro- und Elektronik-Altgeräten für Privathaushalte:

Wie im Folgenden näher beschrieben, sind bestimmte Vertrieber verpflichtet, Elektro- und Elektronik-Altgeräte kostenlos zurückzunehmen.

Vertrieber von Elektro- und Elektronikgeräten mit einer Verkaufsfläche von mindestens 400 m<sup>2</sup> und Lebensmittelhändler mit einer Gesamtverkaufsfläche von mindestens 800 m<sup>2</sup>, die mehrmals im Kalenderjahr oder beständig Elektro- und Elektronikgeräte abgeben und verkaufen, sind unter den folgenden Umständen zur Rücknahme von Geräten verpflichtet:

1. Beim Verkauf eines neuen Elektro- oder Elektronikgeräts muss der Vertrieber ein Altgerät desselben Gerätetyps kostenlos zurücknehmen, das im Wesentlichen die gleichen Funktionen wie das neue Gerät bereitstellt. Dies muss an dem Standort, an dem das Gerät abgegeben wird, oder in unmittelbarer Nähe geschehen. Privathaushalte gelten auch als der Ort, an dem das Gerät abgegeben wird, sofern das Produkt dorthin geliefert wird: In diesem Fall werden Altgeräte ohne Kosten für den Endbenutzer abgeholt.
2. Der Vertrieber muss Altgeräte mit einem Durchmesser von weniger als 25 cm auf Wunsch des Endbenutzers an der Verkaufsstelle oder in unmittelbarer Nähe zurücknehmen. Diese Rückgabe muss nicht mit dem Kauf von Elektro- oder Elektronikgeräten in Verbindung stehen und ist auf drei Altgeräte pro Gerätetyp beschränkt.

Bei Abschluss des Kaufvertrags für ein neues Elektro- oder Elektronikgerät muss der Vertrieber den Endbenutzer über sein Recht informieren, das Altgerät zurückzugeben oder kostenlos abholen zu lassen, und den Endbenutzer fragen, ob er beabsichtigt, ein Altgerät bei der Lieferung des neuen Geräts zurückzugeben.

Dies gilt auch für den Vertrieb über Telekommunikation, wenn die Lager- und Versandfläche für Elektro- und Elektronikgeräte mindestens 400 m<sup>2</sup> beträgt oder wenn die gesamte Lager- und Versandfläche mindestens 800 m<sup>2</sup> beträgt, wobei die kostenlose Abholung von Elektro- oder Elektronikgeräten auf die folgenden Kategorien beschränkt ist:

- 1 (Wärmeüberträger)
- 2 (Geräte mit Displays) und
- 4 (große Geräte mit mindestens einer äußeren Abmessung von mehr als 50 cm)

Für alle anderen Elektro- und Elektronikgeräte muss der Vertrieber entsprechende Rücknahmestellen in angemessener Nähe zum Endverbraucher sicherstellen. Dies gilt auch für Altgeräte, bei denen keine äußere Abmessung 25 cm überschreitet, die der Endbenutzer zurückgeben möchte, ohne ein neues Gerät zu erwerben.

### Datenschutz

Alle Endbenutzer von Elektro- und Elektronik-Altgeräten sind dafür verantwortlich, alle personenbezogenen Daten von den zu entsorgenden Elektro- und Elektronik-Altgeräten zu löschen.

### WEEE-Registrierungsnummer

Husqvarna 10168717

### Sammlungs- und Verwertungsraten

Gemäß der WEEE-Richtlinie sind die EU-Mitgliedstaaten verpflichtet, Daten über Elektro- und Elektronik-Altgeräte zu sammeln und diese Daten an die Europäische Kommission zu übermitteln. Weitere Informationen hierzu finden Sie auf der BMUV-Website: <https://www.bmuv.de/themen/wasser-ressourcen-abfall/kreislaufwirtschaft/statistiken/elektro-und-elektronikaltpgeraete>

## 81 Technische Angaben

### 81.1 Technische Daten

<b>Abmessungen</b>	
Länge, cm/Zoll	17/6,7
Breite, cm/Zoll	16/6,3
Höhe, cm/Zoll	22/8,7
Gewicht, kg/lb	0,5/1,1

<b>Gerätedaten</b>	
Art des Netzteils	FW7313/28/D/XX/Y/1.3
Netzteil Eingang, V AC	100-240
Netzteil Ausgang, V DC	28
Netzteil Ausgang, A	1,3
Niederspannungskabel, Länge m/ft	20/66
IP-Code Referenzstation	IPX5
IP-Code Netzteil	IP44
Leistungsaufnahme, W	2,8

<b>Unterstützte Frequenzbandbreiten</b>	
Bluetooth® Frequenzbereich (für Service)	2400,0–2483,5 MHz
SRD868 (Europa)	863-870 MHz
SRD915 (Nordamerika)	902-928 MHz
SRD915 (Australien)	915-928 MHz
SRD915 (Neuseeland)	915-928 MHz

<b>Leistungsklasse</b>	
Bluetooth® Ausgangsleistung (für Service)	8 dBm
SRD868 (Europa)	13 dBm
SRD915 (Nordamerika)	13 dBm
SRD915 (Australien)	13 dBm
SRD915 (Neuseeland)	13 dBm

Die vollständige Kompatibilität zwischen dem Gerät und anderen Arten von drahtlosen Systemen wie Fernbedienungen und Funksendern kann nicht garantiert werden.

### 81.2 Eingetragene Marken

Die *Bluetooth*®-Wortmarke und die Logos sind eingetragene Marken von Bluetooth SIG, inc. und die Verwendung dieser Marken durch Husqvarna erfolgt unter Lizenz.



# 82 EU-Konformitätserklärung

## 82.1 EU-Konformitätserklärung, Originalversion

### EU Declaration of Conformity

ROB-CEPOS\_RS1-24-1E

We, Husqvarna AB, SE 561 82 Huskvarna, SWEDEN, Tel. +46 36 146500 declare on our sole responsibility that the products:

Description	Communication kit
Brand	HUSQVARNA
Type / Model	HUSQVARNA EPOS™ RS1 Reference Station Type 19.3.1
Identification	Serial numbers dating from 2023 week 51

complies fully with the following EU directives and regulations:

Directive/Regulation	Description
2014/53/EU	"relating to radio equipment"
2011/65/EU	"restriction of use of certain hazardous substances"

and that the following standards and/or technical specifications are applied;

EN 62368-1:2014+A11:2017  
EN IEC 63000:2018  
EN 55032:2015  
ETSI EN 301 489-1 V1.9.2  
ETSI EN 301 489-1 V2.2.3  
ETSI EN 301 489-3 V2.3.2  
ETSI EN 301 489-17 V3.2.4  
ETSI EN 301 489-17 V3.2.6  
ETSI EN 301 489-19 V2.1.1  
ETSI EN 300 328 2.2.2  
ETSI EN 300 220-1 V3.1.1  
ETSI EN 300 220-2 V3.2.1  
ETSI EN 303 413 V1.2.1

  
Sara Gard (Mar 6, 2024 15:26 GMT+1)

Sara Gard  
Huskvarna

Director Residential EPAC Robotic R&D  
Husqvarna AB, Husqvarna Forest & Garden  
Responsible for technical documentation



## 82.2 EU-Konformitätserklärung, Übersetzung

Wir, Husqvarna AB, SE 561 82 Huskvarna,  
SWEDEN, Tel. +46 36 146500, erklären in alleiniger  
Verantwortung, dass das Gerät:

<b>Beschreibung</b>	<b>Kommunikations-Set</b>
<b>Marke</b>	HUSQVARNA
<b>Typ/Modell</b>	HUSQVARNA EPOS™ RS1 Reference Station Type 19.3.1
<b>Identifizierung</b>	Seriennummern von 2023 Woche 51

die folgenden EU-Richtlinien und -Verordnungen erfüllt:

<b>Richtlinie/Verordnung</b>	<b>Beschreibung</b>
2014/53/EU	„Zu Funkanlagen“
2011/65/EU	„Beschränkung der Verwendung bestimmter gefährlicher Stoffe“

und dass die folgenden Normen und/oder technischen  
Daten angewendet werden;

- EN 62368-1:2014+A11:2017
- EN IEC 63000:2018
- EN 55032:2015
- ETSI EN 301 489-1 V1.9.2
- ETSI EN 301 489-1 V2.2.3
- ETSI EN 301 489-3 V2.3.2
- ETSI EN 301 489-17 V3.2.4
- ETSI EN 301 489-17 V3.2.6
- ETSI EN 301 489-19 V2.1.1
- ETSI EN 300 328 2.2.2
- ETSI EN 300 220-1 V3.1.1
- ETSI EN 300 220-2 V3.2.1
- ETSI EN 303 413 V1.2.1

Sara Gard

Huskvarna

Director Residential EPAC Robotic R&D Husqvarna  
AB, Husqvarna Forest & Garden, verantwortlich für die  
technische Dokumentation.



---

## ÍNDICE

---

83 Segurança.....	115	87 Resolução de problemas.....	122
84 Introdução.....	116	88 Armazenamento e eliminação.....	122
85 Instalação.....	119	89 Especificações técnicas.....	123
86 Manutenção.....	122	90 Declaração UE de conformidade.....	125

---

## 83 Segurança

---

### 83.1 Definições de segurança

Os avisos, as precauções e as notas são utilizados para indicar partes especialmente importantes do manual.



**ATENÇÃO:** Utilizado no caso de existir risco de ferimento ou morte para o utilizador ou transeuntes, se não forem respeitadas as instruções do manual.



**CUIDADO:** Utilizado se existir risco de danos para o produto, para outros materiais ou para a área adjacente, se não forem respeitadas as instruções do manual.

**Nota:** Utilizado para disponibilizar informações adicionais necessárias numa determinada situação.

### 83.2 Instruções de segurança gerais



**ATENÇÃO:** Leia as instruções de aviso que se seguem antes de utilizar o produto.

- Respeite os regulamentos nacionais sobre a segurança elétrica.
- O produto apenas pode ser utilizado com a unidade de fonte de alimentação fornecida pela Husqvarna.
- O produto apenas pode ser utilizado com o equipamento recomendado pelo fabricante. Todos os outros tipos de utilização são incorretos. As instruções do fabricante, no que diz respeito ao funcionamento/manutenção, devem ser rigorosamente respeitadas.
- A utilização, manutenção e reparação do produto devem apenas ser realizadas por pessoas que estejam familiarizadas com as suas características especiais e os regulamentos de segurança. Leia atentamente as instruções do Manual do utilizador e certifique-se de que compreende o seu conteúdo antes de utilizar o produto.

- A Husqvarna não garante a total compatibilidade entre o produto e outros tipos de sistemas sem fios, tais como controlos remotos, transmissores de rádio, anéis de indução magnética, cercas elétricas enterradas para animais ou semelhantes.
- Não é permitido modificar o design original do produto. Todas as modificações são efetuadas por sua própria conta e risco.
- Examine o produto quanto a danos antes de o ligar. Não utilize o produto se este estiver danificado.
- A temperatura de funcionamento é de -20 °C a 45 °C/- 4 °F a 113 °F. A temperatura de armazenamento é de -20 °C a 70 °C/- 4 °F a 158 °F.

### 83.3 Instruções de segurança para instalação



**ATENÇÃO:** Leia as instruções de aviso que se seguem antes de utilizar o produto.

- Não coloque a fonte de alimentação numa posição em que exista o risco de ficar molhada. Não coloque a fonte de alimentação no chão.
- Não coloque a fonte de alimentação estanque. A água de condensação pode danificar a fonte de alimentação e aumentar o risco de choque elétrico.
- Risco de choque elétrico. Utilize apenas um dispositivo diferencial residual (DDR) para ligar a fonte de alimentação à tomada de parede. Aplicável para os EUA/Canadá. Se a fonte de alimentação estiver instalada no exterior: Risco de choque elétrico. Instale apenas numa tomada GFCI de classe A coberta (RCD) com um invólucro à prova de água com a cobertura da vela do acessório inserida ou removida.
- Certifique-se de que as fichas do cabo de baixa tensão e da unidade de fonte de alimentação estão limpas e secas antes de as ligar.
- Existe o risco de queda de objetos durante a instalação da estação de referência. Isto pode provocar ferimentos.

- O cabo da fonte de alimentação e o cabo de extensão devem estar fora da área de trabalho para evitar danos nos cabos.
- Existe o risco de queda ao instalar a estação de referência numa posição elevada. Certifique-se de que está numa posição estável quando instalar a estação de referência.

### 83.4 Instruções de segurança para manutenção



**ATENÇÃO:** Leia as instruções de aviso que se seguem antes de utilizar o produto.

- Desligue o produto da fonte de alimentação antes de proceder à limpeza ou manutenção do produto.

### 83.5 Em caso de trovoadas

Para diminuir o risco de danos nos componentes elétricos da estação de referência, recomenda-se desligar a fonte de alimentação da estação de referência, caso exista o risco de trovoadas. Ligue novamente a fonte de alimentação quando não existir risco de trovoadas.

## 84 Introdução

### 84.1 Introdução

Número de série:	
Número do produto:	

O número de série encontra-se na etiqueta de tipo do produto e na embalagem do produto. Utilize o número de série para registar o seu produto em [www.husqvarna.com](http://www.husqvarna.com).

#### 84.1.1 Apoio

Para apoio relativamente ao produto, contacte o seu revendedor com assistência técnica da Husqvarna.

#### 84.1.2 Descrição do produto

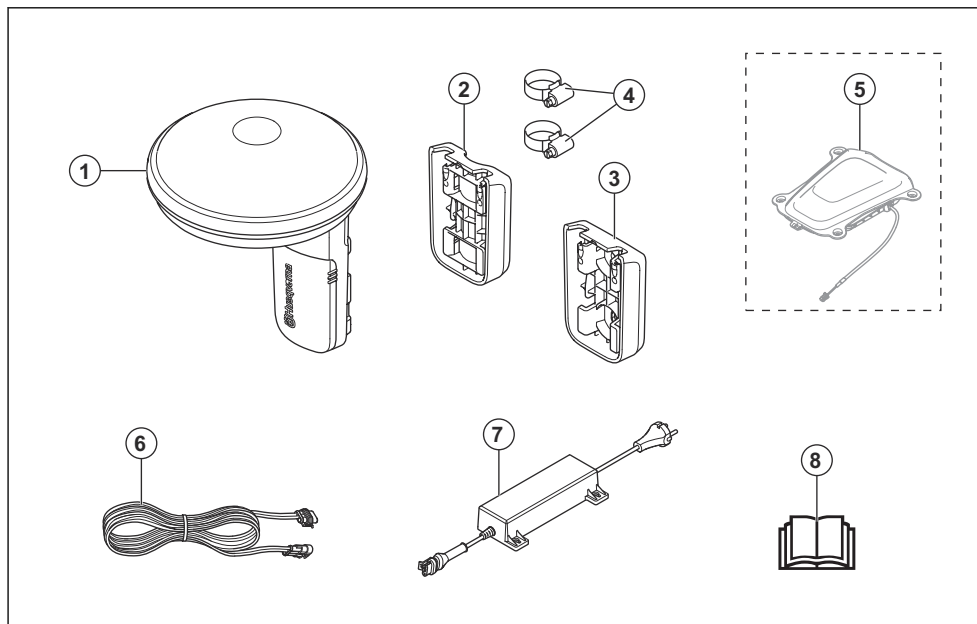
**Nota:** A Husqvarna atualiza regularmente o aspeto e o funcionamento dos produtos. Consulte *Apoio na página 116*.

A estação de referência EPOS™ recebe sinais de satélite e envia dados de correção para o robô corta-relva.

#### 84.1.3 Descrição do sistema

O sistema EPOS™ contém um robô corta-relva, uma estação de carregamento e uma estação de referência. O robô corta-relva e a estação de referência recebem sinais de satélite para posicionamento. A estação de referência está parada e envia dados de correção para o robô corta-relva, para obter uma posição exata do corta-relva. A área de trabalho é criada virtualmente numa aplicação através da utilização do produto e da adição de pontos de passagem para criar um mapa.

## 84.1.4 Vista geral do produto

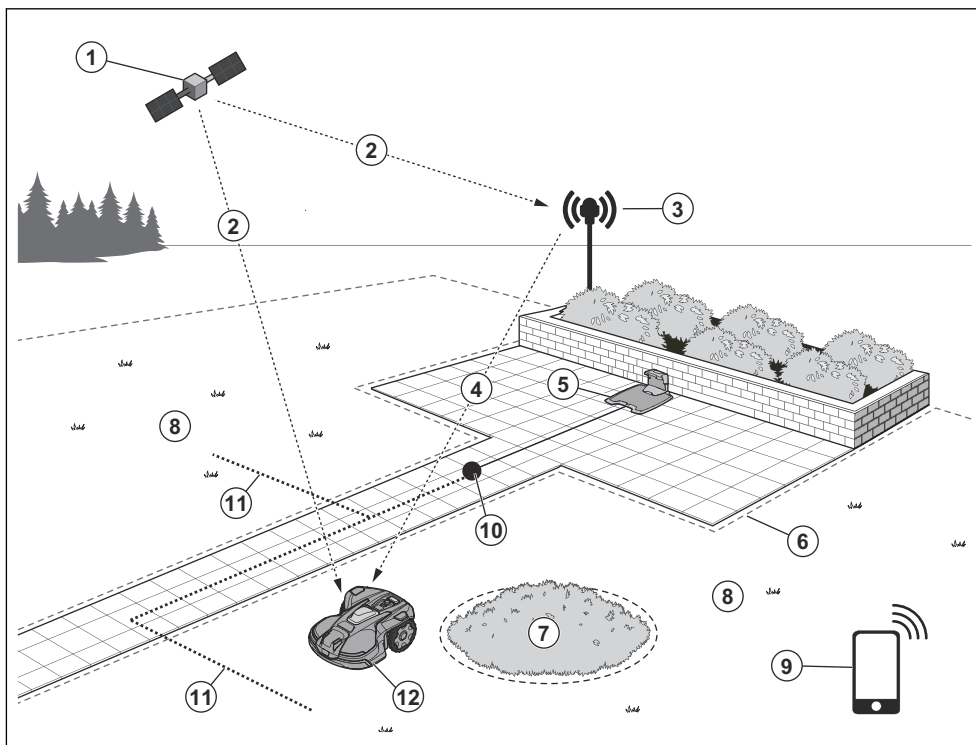


1. Estação de referência
2. Suporte para vara
3. Suporte de parede
4. Abraçadeiras de mangueira
5. Automower® EPOS™ Plug-in<sup>51</sup>
6. Cabo de baixa tensão
7. Fonte de alimentação<sup>52</sup>
8. Manual do utilizador

<sup>51</sup> Adquirido em separado. O aspeto pode ser diferente para modelos diferentes.

<sup>52</sup> O aspeto pode ser diferente em diferentes mercados.

## 84.1.5 Visão geral do sistema



1. Satélites
2. Sinais de satélite
3. Estação de referência
4. Dados de correção
5. Estação de carregamento<sup>53</sup>
6. Limite virtual
7. Zona interdita
8. Área de trabalho
9. Dispositivo móvel<sup>54</sup>
10. Ponto de acoplamento
11. Percurso de transporte
12. Robô corta-relva com kit EPOS™ Plug-in<sup>55</sup>

### 84.1.6 Símbolos no produto

Estes símbolos podem ser encontrados no produto. Certifique-se de que os compreende.



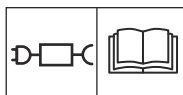
O produto está em conformidade com as Diretivas UE aplicáveis.



O produto está em conformidade com as Diretivas do Reino Unido aplicáveis.



Não é permitido eliminar o produto como lixo doméstico normal. Respeite os regulamentos nacionais e utilize o sistema de reciclagem local.



Utilize uma fonte de alimentação amovível conforme especificado na etiqueta de tipo adjacente ao símbolo.

<sup>53</sup> Não incluído.

<sup>54</sup> Não incluído.

<sup>55</sup> Robô corta-relva não incluído.

**Nota:** Os restantes símbolos/autocolantes existentes no produto dizem respeito às exigências de homologação de alguns países.

### 84.1.7 Danos no produto

Não somos responsáveis por danos no nosso produto se:

- o produto tiver sido incorretamente reparado.

- o produto tiver sido reparado com peças que não sejam do fabricante ou que não sejam aprovadas pelo fabricante.
- o produto tiver um acessório que não seja do fabricante ou que não seja aprovado pelo fabricante.
- o produto não tiver sido reparado por um centro de assistência autorizado ou por uma autoridade aprovada.

## 85 Instalação

### 85.1 Introdução - Instalação



**ATENÇÃO:** Certifique-se de que lê e compreende o capítulo sobre segurança antes de instalar o produto.



**ATENÇÃO:** Antes de instalar o produto, leia e compreenda o capítulo sobre segurança do robô corta-relva no manual.



**CUIDADO:** Utilize material de instalação e peças sobresselentes originais.

**Nota:** Para mais informações sobre a instalação, consulte [www.husqvarna.com](http://www.husqvarna.com).

### 85.2 Analisar onde colocar a estação de referência



**CUIDADO:** Se existir um para-raios nas proximidades, não instale a estação de referência a uma altura superior à do para-raios.

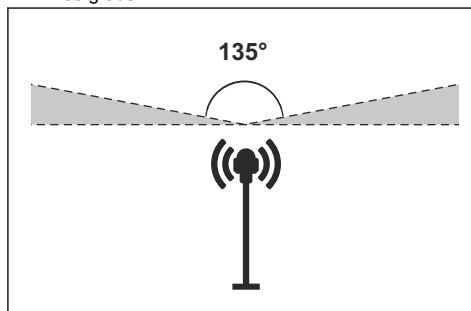


**CUIDADO:** Não instale a estação de referência num mastro. Os movimentos da estação de referência irão afetar os dados de correção enviados ao produto com a posição exata.

- Instale a estação de referência num objeto fixo que não se consiga deslocar nem rodar.
- Instale a estação de referência num poste ou numa parede. O poste deve ter 27-36 mm/1.1-2.2 pol. de diâmetro para encaixar nas fixações da estação de referência.

**Nota:** Se a estação de referência estiver instalada numa parede, a respetiva parte superior tem de estar acima da parede. Os objetos metálicos podem causar interferência com o sinal da estação de referência.

- Certifique-se de que a estação de referência tem uma vista desimpedida para o céu. É necessária uma vista desimpedida para o céu de, no mínimo, 135 graus.



- Instale a estação de referência a uma altura mínima de 2 m/6.5 pés.
- Certifique-se de que a distância entre a estação de referência e o robô corta-relva é inferior a 100 m / 330 pés. Os objetos entre a estação de referência e o robô corta-relva podem reduzir a distância.

### 85.3 Analisar onde colocar a fonte de alimentação



**ATENÇÃO:** Não corte o cabo de baixa tensão. Existe risco de choque elétrico.



**CUIDADO:** Certifique-se de que as lâminas do robô corta-relva não cortam os cabos de alimentação.

- Coloque a fonte de alimentação numa área com telhado e proteção contra o sol e a chuva.

- Coloque a fonte de alimentação numa área com bom fluxo de ar.
- Utilize um dispositivo diferencial residual (DDR) quando ligar a fonte de alimentação à tomada de alimentação.
- Aumente o cabo de baixa tensão, se necessário. O cabo de baixa tensão pode ser aumentado até 100 m/328 pés.

## 85.4 Instalação do produto

Leia e compreenda as instruções sobre a estação de referência. Consulte *Analisar onde colocar a estação de referência na página 119*.

Leia o manual do operador do robô corta-relva a utilizar em conjunto com a estação de referência.

A estação de referência pode ser instalada num poste ou numa parede.



**CUIDADO:** Os movimentos da estação de referência irão afetar os dados de correção enviados ao produto com a posição exata. A estação de referência tem de ser instalada com firmeza no poste ou na parede.

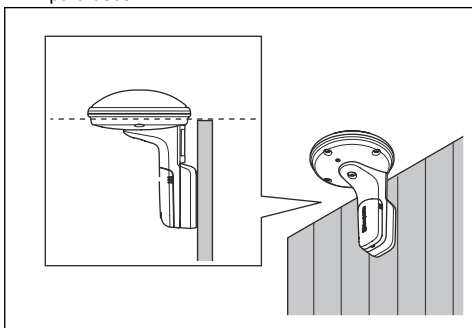


**CUIDADO:** Os itens no mapa mudam de posição se mover a estação de referência. Ajuste os itens no mapa ou volte a efetuar a instalação na aplicação Automower® Connect.

### 85.4.1 Para instalar o suporte numa parede

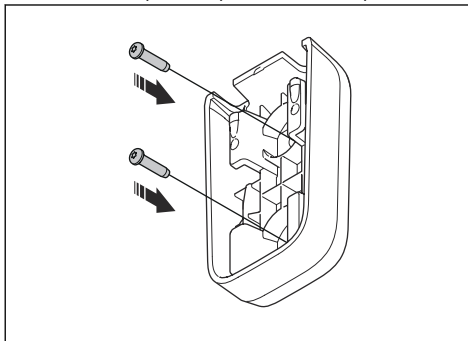
**Nota:** Os parafusos não estão incluídos. Utilize parafusos aplicáveis ao material de parede.

1. Segure o braço da estação de referência na parede. Efetue 2 marcas na parede para os 2 parafusos.



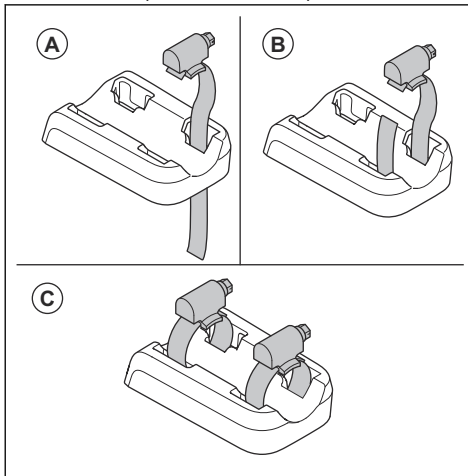
**Nota:** Certifique-se de que a parte superior da estação de referência está acima da parede.

2. Perfure orifícios nas 2 marcas na parede para os 2 parafusos.
3. Instale o suporte na parede com os 2 parafusos.



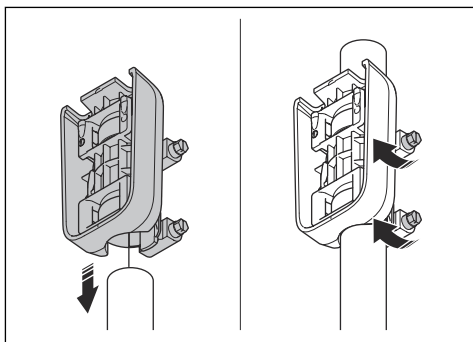
### 85.4.2 Para instalar o suporte numa vara

1. Fixe a vara com firmeza a uma parede, um telhado ou ao solo. Certifique-se de que a vara não se desloca.
2. Coloque os grampos da mangueira através da ranhura na parte traseira do suporte.



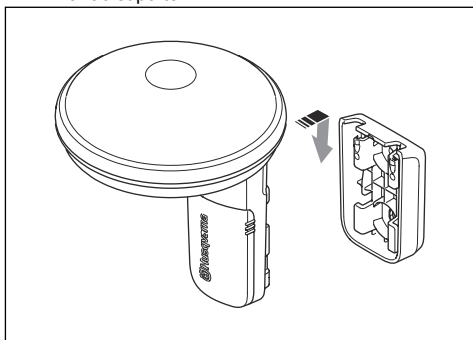
3. Fixe o suporte na vara e aperte os grampos da mangueira com uma chave de parafusos plana.



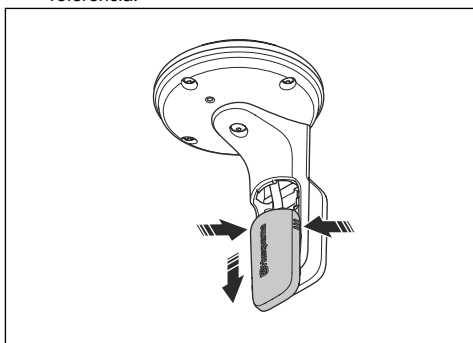


### 85.4.3 Para instalar a estação de referência

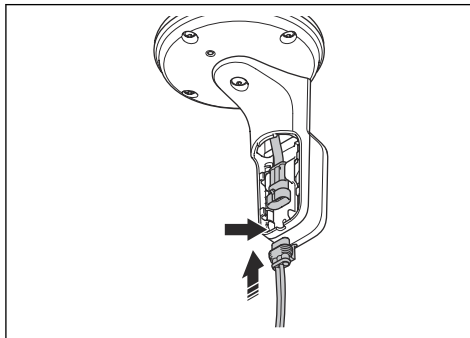
1. Segure a estação de referência por cima do suporte e alinhe o braço da estação de referência com as ranhuras no suporte.
2. Empurre a estação de referência para baixo para a fixar ao suporte.



3. Prima sem soltar a cobertura do cabo e desloque-a para baixo para a remover da estação de referência.



4. Ligue o cabo de baixa tensão à estação de referência. Coloque o cabo de baixa tensão na ranhura do cabo.



5. Instale a cobertura do cabo.
6. Ligue o cabo de baixa tensão da estação de referência à fonte de alimentação.
7. Fixe o cabo de baixa tensão à parede ou à vara com abraçadeiras.



**CUIDADO:** Se o cabo de baixa tensão não estiver bem apertado com abraçadeiras, pode ficar danificado com ventos fortes.

8. Coloque a fonte de alimentação a uma altura de 30-200 cm/1-6.5 pés em relação ao solo. Consulte *Analisar onde colocar a fonte de alimentação na página 119*.
9. Ligue o cabo da fonte de alimentação a uma tomada de alimentação de 100 - 240 V.

**Nota:** O indicador LED da estação de referência pisca a verde durante alguns minutos. O indicador LED fica verde fixo quando a estação de referência está em funcionamento. Consulte *Luz indicadora LED na estação de referência na página 122*.

---

## 86 Manutenção

---

### 86.1 Limpar a estação de referência

A Husqvarna recomenda a utilização de um kit especial de limpeza e manutenção disponível como acessório. Para obter mais informações, contacte o seu representante Husqvarna.

e a estação de carregamento. Não utilize solventes para limpeza.

- Se necessário, utilize um pano húmido para limpar o produto.



**CUIDADO:** Não utilize uma máquina de lavar de alta pressão para limpar o produto

---

## 87 Resolução de problemas

---

### 87.1 Luz indicadora LED na estação de referência

Luz	Estado
Luz verde intermitente	Arranque da estação de referência. Aguarde alguns minutos.
Luz verde constante	Em funcionamento.
Luz vermelha intermitente	A estação de referência não funciona devido a um erro. Desligue o cabo de alimentação e ligue-o novamente para reiniciar o produto. Se o problema persistir, contacte o seu distribuidor com assistência técnica aprovado.
Luz branca intermitente	É necessária uma atualização de firmware. Contacte o seu representante Husqvarna local.
Luz amarela intermitente	Apenas para a estação de referência no modo de repetidor: A estação de referência no modo de repetidor não tem ligação à estação de referência principal. A estação de referência está no modo de arranque ou não tem ligação à estação de referência principal. Se não existir ligação, verifique a estação de referência principal ou o repetidor mais próximo.

---

## 88 Armazenamento e eliminação

---

### 88.1 Armazenamento

Se armazenar a estação de referência no interior, mantenha o braço instalado no poste ou na parede para poder instalar novamente a estação de referência na respetiva posição original.

Se mantiver a estação de referência no exterior durante o inverno, recomendamos que mantenha a fonte de alimentação ligada.

### 88.2 Eliminação

Respeite os requisitos de reciclagem locais e os regulamentos aplicáveis.

## 89 Especificações técnicas

### 89.1 Especificações técnicas

<b>Dimensões</b>	
Comprimento, cm/pol.	17/6,7
Largura, cm/pol.	16/6,3
Altura, cm/pol.	22/8,7
Peso, kg/lb	0,5/1,1

<b>Dados do produto</b>	
Tipo de unidade de fonte de alimentação	FW7313/28/D/XX/Y/1.3
Entrada da fonte de alimentação, V AC	100-240
Saída da fonte de alimentação, V DC	28
Saída da fonte de alimentação, A	1,3
Cabo de baixa tensão, comprimento m / pés	20 / 66
Código IP da estação de referência	IPX5
Código IP da unidade de fonte de alimentação	IP44
Consumo de energia, W	2,8

<b>Suporte da banda de frequência</b>	
Gama de frequência do Bluetooth® (para manutenção)	2400,0-2483,5 MHz
SRD868 (Europa)	863-870 MHz
SRD915 (América do Norte)	902-928 MHz
SRD915 (Austrália)	915-928 MHz
SRD915 (Nova Zelândia)	915-928 MHz

<b>Classe de potência</b>	
Potência de saída do Bluetooth® (para manutenção)	8 dBm
SRD868 (Europa)	13 dBm
SRD915 (América do Norte)	13 dBm
SRD915 (Austrália)	13 dBm
SRD915 (Nova Zelândia)	13 dBm

Não é possível garantir total compatibilidade entre o produto e outros tipos de sistemas sem fios, tais como telecomandos e transmissores de rádio.

## 89.2 Marcas comerciais registadas

A palavra e os logótipos *Bluetooth®* são marcas comerciais registadas propriedade da *Bluetooth SIG, inc.* e qualquer utilização de tais marcas pela Husqvarna é feita mediante licença.

# 90 Declaração UE de conformidade

## 90.1 Declaração UE de conformidade original

### EU Declaration of Conformity

ROB-CEPOS\_RS1-24-1E

We, Husqvarna AB, SE 561 82 Huskvarna, SWEDEN, Tel. +46 36 146500 declare on our sole responsibility that the products:

Description	Communication kit
Brand	HUSQVARNA
Type / Model	HUSQVARNA EPOS™ RS1 Reference Station Type 19.3.1
Identification	Serial numbers dating from 2023 week 51

complies fully with the following EU directives and regulations:

Directive/Regulation	Description
2014/53/EU	"relating to radio equipment"
2011/65/EU	"restriction of use of certain hazardous substances"

and that the following standards and/or technical specifications are applied;

EN 62368-1:2014+A11:2017  
EN IEC 63000:2018  
EN 55032:2015  
ETSI EN 301 489-1 V1.9.2  
ETSI EN 301 489-1 V2.2.3  
ETSI EN 301 489-3 V2.3.2  
ETSI EN 301 489-17 V3.2.4  
ETSI EN 301 489-17 V3.2.6  
ETSI EN 301 489-19 V2.1.1  
ETSI EN 300 328 2.2.2  
ETSI EN 300 220-1 V3.1.1  
ETSI EN 300 220-2 V3.2.1  
ETSI EN 303 413 V1.2.1

  
Sara Gard (Mar 6, 2024 15:26 GMT+1)

Sara Gard  
Huskvarna

Director Residential EPAC Robotic R&D  
Husqvarna AB, Husqvarna Forest & Garden  
Responsible for technical documentation



## 90.2 Declaração UE de conformidade traduzida

A Husqvarna AB, SE 561 82 Huskvarna, SWEDEN,  
Tel. +46 36 146500 declara, sob sua inteira  
responsabilidade, que o produto:

<b>Descrição</b>	<b>Kit de comunicação</b>
<b>Marca</b>	HUSQVARNA
<b>Tipo/Modelo</b>	HUSQVARNA EPOS™ RS1 Reference Station Type 19.3.1
<b>Identificação</b>	Números de série de 2023, semana 51

está em plena conformidade com as seguintes diretivas  
e regulamentos da UE:

<b>Diretiva/Regulamento</b>	<b>Descrição</b>
2014/53/EU	"Relativa ao equipamento de rádio"
2011/65/EU	"Restrição do uso de determinadas substâncias perigosas"

e que as seguintes normas e/ou especificações técnicas  
são aplicadas;

- EN 62368-1:2014+A11:2017
- EN IEC 63000:2018
- EN 55032:2015
- ETSI EN 301 489-1 V1.9.2
- ETSI EN 301 489-1 V2.2.3
- ETSI EN 301 489-3 V2.3.2
- ETSI EN 301 489-17 V3.2.4
- ETSI EN 301 489-17 V3.2.6
- ETSI EN 301 489-19 V2.1.1
- ETSI EN 300 328 2.2.2
- ETSI EN 300 220-1 V3.1.1
- ETSI EN 300 220-2 V3.2.1
- ETSI EN 303 413 V1.2.1

Sara Gard  
Huskvarna

Diretora de I&D, robótica EPAC residencial, Husqvarna  
AB, Husqvarna Forest & Garden, responsável pela  
documentação técnica.



---

## VSEBINA

---

91 Varnost.....	127	95 Odpravljanje težav.....	134
92 Uvod.....	128	96 Shranjevanje in odstranjevanje.....	134
93 Namestitev.....	131	97 Tehnični podatki.....	134
94 Vzdrževanje.....	133	98 Izjava EU o skladnosti.....	136

---

## 91 Varnost

---

### 91.1 Varnostne definicije

Opozorila, svarila in opombe opozarjajo na posebej pomembne dele priročnika.



**OPOZORILO:** Se uporabi, če obstaja nevarnost telesne poškodbe ali smrti uporabnika ali opazovalcev ob neupoštevanju navodil v tem priročniku.



**POZOR:** Se uporabi, če obstaja nevarnost poškodbe izdelka, drugih materialov ali okolice ob neupoštevanju navodil v tem priročniku.

**Opomba:** Se uporabi za podajanje podrobnejših informacij, potrebnih v dani situaciji.

### 91.2 Splošna varnostna navodila



**OPOZORILO:** Pred uporabo izdelka preberite navodila v povezavi z opozorili v nadaljevanju.

- Upoštevajte nacionalne predpise o električni varnosti.
- Izdelek je dovoljeno uporabljati samo z napajalnikom, ki ga dobavi podjetje Husqvarna.
- Izdelek lahko uporabljate le z opremo, ki jo priporoča proizvajalec. Vse druge vrste uporabe so nepravilne. Natančno upoštevajte navodila proizvajalca za uporabo/vzdrževanje.
- Izdelek lahko uporabljajo oziroma vzdržujejo ter popravljajo samo osebe, ki so v celoti seznanjene z njenimi posebnimi lastnostmi in varnostnimi predpisi. Pred začetkom uporabe izdelka natančno preberite navodila za uporabo in se prepričajte, da ste jih razumeli.
- Husqvarnane jamči za popolno združljivost med izdelkom in drugimi vrstami brezžičnih sistemov, kot so daljinski upravljalniki, radijski prenosniki, slušne naprave, podzemne električne ograje za živali ali podobno.

- Izvirne oblike izdelka ni dovoljeno spreminjati. Morebitne spremembe opravljate na lastno odgovornost.
- Pred zagonom izdelka se prepričajte, da ta ni poškodovan. Izdelka ne uporabljajte, če je poškodovan.
- Delovna temperatura je od -20°C do 45°C/od -4°F do 113°F. Temperatura skladiščenja je od -20°C do 70°C/od -4°F do 158°F.

### 91.3 Varnostna navodila za namestitev



**OPOZORILO:** Pred uporabo izdelka preberite navodila v povezavi z opozorili v nadaljevanju.

- Napajalnika ne namestite na mesto, kjer obstaja nevarnost, da se zmoči. Napajalnika ne postavite na tla.
- Napajalnika ne zapirajte. Kondenzirana voda lahko škoduje napajalniku in poveča tveganje električnega udara.
- Nevarnost električnega udara. Napajalnik priklopite v stensko vtičnico samo, če ima nameščeno napravo na diferenčni tok (RCD). Za Kanado/ZDA. V primeru nameščenega vira napajanja na prostem: Nevarnost električnega udara. Namestite le vtičnico razreda A GFCI (RCD) s pokrovom, ki je odporna na vremenske vplive z ali brez nameščenega pokrova vtičnice.
- Preden priključite nizkonapetostni kabel in napajalnik, se prepričajte, da sta vtiča čista in suha.
- Med namestitvijo referenčne postaje obstaja nevarnost padajočih predmetov. To lahko privede do poškodbe.
- Napajalni kabel in kabelski podaljšek morata biti zunaj delovnega območja, da se ne poškodujeta.
- Če referenčno postajo namestite na visok položaj, obstaja nevarnost padca. Ko nameščate referenčno postajo, se prepričajte, da je položaj stabilen.

## 91.4 Varnostna navodila za vzdrževanje



**OPOZORILO:** Pred uporabo izdelka preberite navodila v povezavi z opozorili v nadaljevanju.

- Preden začnete čistiti ali vzdrževati izdelek, ga izklopite iz napajanja.

## 91.5 V primeru nevihte

Če se približuje nevihta in želite zmanjšati tveganje škode na električnih komponentah referenčne postaje, priporočamo, da izklopite napajanje referenčne postaje. Ko bo nevarnost nevihte minila, znova vklopite napajalnik.

# 92 Uvod

## 92.1 Uvod

Serijska številka:	
Številka izdelka:	

Serijska številka je navedena na tipski ploščici izdelka in embalaži izdelka. Serijsko številko uporabljajte za registracijo izdelka na spletnem mestu [www.husqvarna.com](http://www.husqvarna.com).

### 92.1.1 Podpora

Za podporo o izdelku se obrnite na servisnega zastopnika Husqvarna.

### 92.1.2 Opis izdelka

**Opomba:** Husqvarna redno posodablja videz in funkcionalnost svojih izdelkov. Glejte *Podpora na strani 128*.

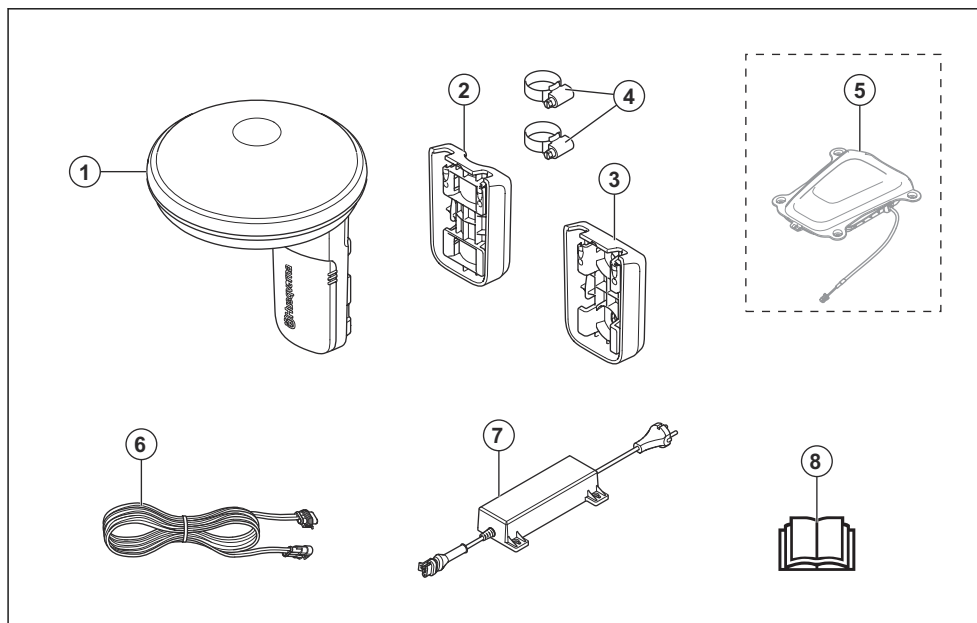
Referenčna postaja EPOS™ sprejema satelitske signale in pošilja korekcijske podatke robotski kosilnici.

### 92.1.3 Opis sistema

Sistem EPOS™ vsebuje robotsko kosilnico, polnilno postajo in referenčno postajo. Robotska kosilnica in referenčna postaja prejmeta satelitske signale za določanje položaja. Referenčna postaja je nepremična in pošilja robotski kosilnici podatke o popravkih za določanje točnega položaja kosilnice. Delovno območje je ustvarjeno v aplikaciji tako, da se z uporabo izdelka in dodajanjem vodilnih točk izdelka zemljevid v aplikaciji.



## 92.1.4 Pregled izdelka

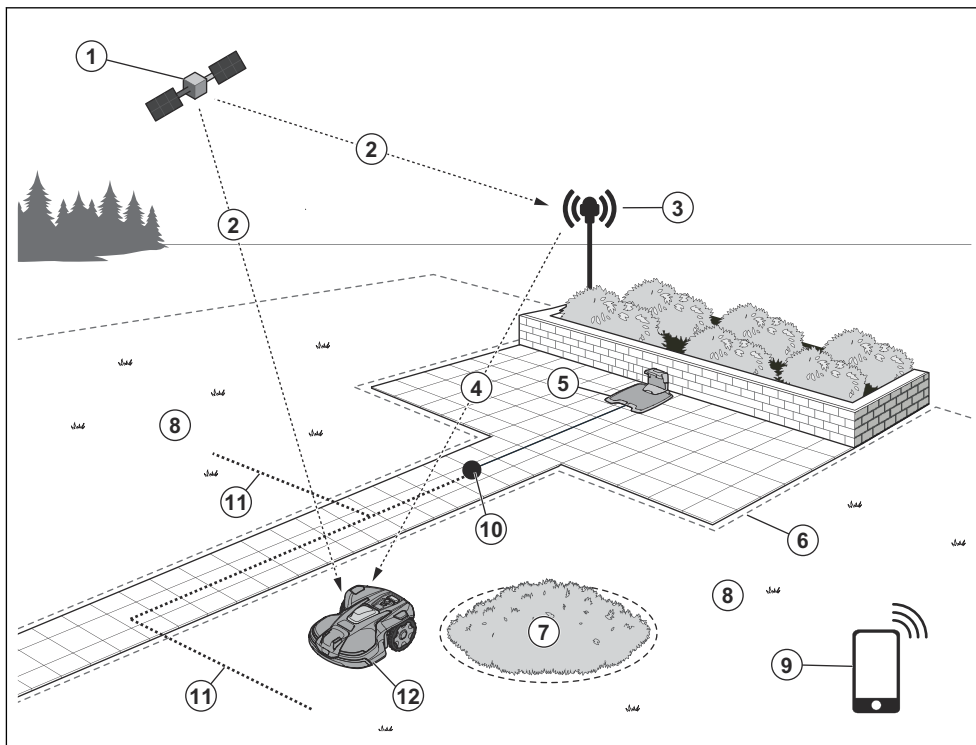


1. Referenčna postaja
2. Višinski nosilec
3. Stenski nosilec
4. Objemke cevi
5. Automower® EPOS™ Plug-in<sup>56</sup>
6. Niskonapetostni kabel
7. Napajalnik<sup>57</sup>
8. Navodila za uporabo

<sup>56</sup> V prodaji na voljo posebej. Videz je lahko za različne modele drugačen.

<sup>57</sup> Videz je lahko za različne trge drugačen.

## 92.1.5 Pregled sistema



1. Sateliti
2. Satelitski signali
3. Referenčna postaja
4. Podatki o popravkih
5. Polnilna postaja<sup>58</sup>
6. Navidezna meja
7. Prepovedano območje
8. Delovno območje
9. Mobilna naprava<sup>59</sup>
10. Priklopna točka
11. Transportna pot
12. Robotska kosilnica s kompletom EPOS™ Plug-in<sup>60</sup>

### 92.1.6 Simboli na izdelku

Na izdelku lahko najdete naslednje oznake. Prepričajte se, da ste jih razumeli.



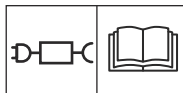
Izdelek je v skladu z veljavnimi direktivami EU.



Izdelek je v skladu z veljavnimi direktivami UK.



Izdelka ni dovoljeno zavreči med običajne gospodinske odpadke. Upoštevajte državne predpise in uporabite lokalni sistem recikliranja.



Uporabite odstranljivi vir napajanja, kot je opredeljeno na tipski plošči ob simbolu.

<sup>58</sup> Ni priložena.

<sup>59</sup> Ni priložena.

<sup>60</sup> Robotska kosilnica ni priložena.

**Opomba:** Ostali simboli in oznake na izdelku se nanašajo na zahteve za certifikate, ki veljajo za nekatere trge.

### 92.1.7 Škoda izdelka

Za škodo na izdelku ne odgovarjamo, če:

- Izdelek ni pravilno popravljen.
- Izdelek je popravljen z deli, ki jih ni izdelal ali odobril proizvajalec.
- Na izdelku je nameščena dodatna oprema, ki je ni izdelal ali odobril proizvajalec.
- Izdelek ni bil popravljen v pooblaščenem servisnem centru ali pri pooblaščenem organu.

## 93 Namestitvev

### 93.1 Uvod – namestitev



**OPOZORILO:** Pred namestitvijo izdelka, morate prebrati in razumeti poglavje o varnosti.



**OPOZORILO:** Pred namestitvijo izdelka preberite in razumite poglavje o varnosti v priročniku za robotsko kosilnico.



**POZOR:** Uporabljajte originalne nadomestne dele in material za namestitev.

**Opomba:** Za dodatne informacije za namestitev glejte [www.husqvarna.com](http://www.husqvarna.com).

### 93.2 Pregled mesta za namestitev referenčne postaje



**POZOR:** Če je v bližini strelovod, referenčne postaje ne nameščajte višje od strelovoda.

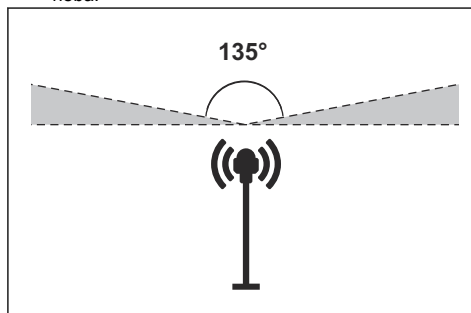


**POZOR:** Referenčne postaje ne nameščajte na drog. Premiki referenčne postaje bodo vplivali na podatke o popravkih, poslani izdelku s točnim položajem.

- Referenčno postajo namestite na fiksni predmet, ki se ne more premikati ali vrteti.
- Referenčno postajo namestite na steber ali steno. Za namestitev priključkov na referenčno postajo mora steber imeti premer 27-36 mm/1.1-2.2 in.

**Opomba:** Če je referenčna postaja nameščena na steni, mora biti vrh referenčne postaje nad steno. Kovinski predmeti lahko povzročijo motnje signala referenčne postaje.

- Nebo nad referenčno postajo ne sme biti zastrto. Zahtevno je, da je vidnega najmanj 135 stopinj neba.



- Referenčno postajo namestite na višino najmanj 2 m/6.5 čevljev.
- Prepričajte se, da je razdalja med referenčno postajo in robotsko kosilnico manjša od 100 m / 330 ft. Predmeti med referenčno postajo in robotsko kosilnico lahko zmanjšajo razdaljo.

### 93.3 Za pregled mesta za namestitev napajalnika



**OPOZORILO:** Ne režite nizkonapetostnega kabla. Nevarnost električnega udara.



**POZOR:** Poskrbite, da rezila robotske kosilnice ne prerežejo napajalnih kablov.

- Napajalnik postavite na mesto s streho in zaščito pred soncem in dežjem.
- Napajalnik postavite na mesto z dobrim pretokom zraka.
- Pri priključitvi napajalnika v napajalno vtičnico uporabite napravo na diferenčni tok (RCD).
- Če je potrebno, podaljšajte nizkonapetostni kabel. Nizkonapetostni kabel lahko podaljšate do 100 m/328 ft.

## 93.4 Nameštitev izdelka

Prebrati in razumeti morate navodila o referenčni postaji. Glejte *Pregled mesta za nameštitev referenčne postaje na strani 131*.

Preberite navodila za uporabo robotske kosilnice skupaj z referenčno postajo.

Referenčno postajo namestite na steber ali steno.



**POZOR:** Premiki referenčne postaje bodo vplivali na podatke o popravkih, poslani izdelku s točnim položajem. Referenčna postaja mora biti čvrsto nameščena na stebru ali steni.

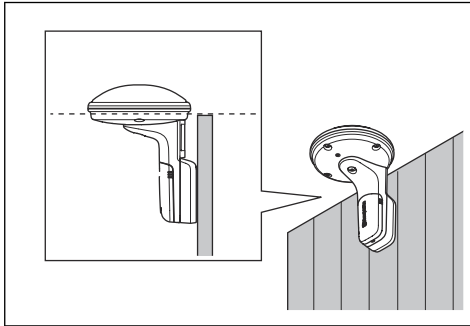


**POZOR:** Če premaknete referenčno postajo, bodo elementi na zemljevidu spremenili položaj. Prilagodite elemente na zemljevidu ali jih znova namestite v aplikaciji Automower® Connect.

### 93.4.1 Nameščanje nosilca na steno

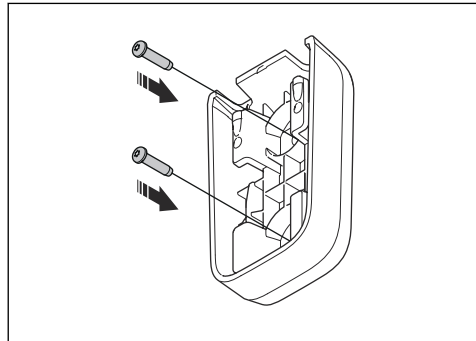
**Opomba:** Vijaki niso vključeni. Uporabite vijake, ki so primerni za material stene.

1. Držite roko referenčne postaje na steni. Na steni označite 2 odprtini za 2 vijaka.



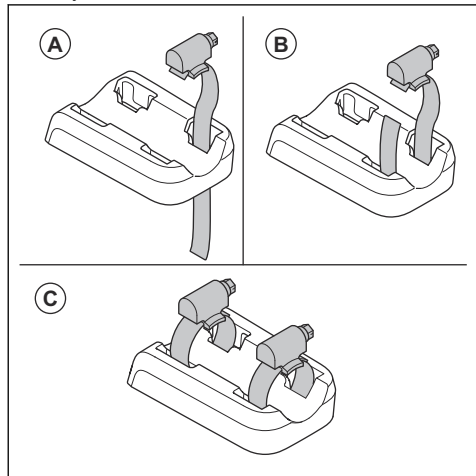
**Opomba:** Prepričajte se, da je vrh referenčne postaje nad steno.

2. V steni na označenih mestih izvrtajte 2 odprtini za 2 vijaka.
3. Nosilec namestite na steno z 2 vijakoma.

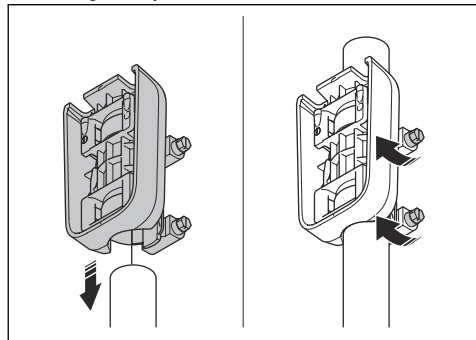


### 93.4.2 Nameščanje nosilca na drog

1. Drog čvrsto pritrдите na steno, vrh strehe ali tla. Prepričajte se, da se drog ne more premakniti.
2. Skozi režo na zadnji strani nosilca vstavite objemke cevi.

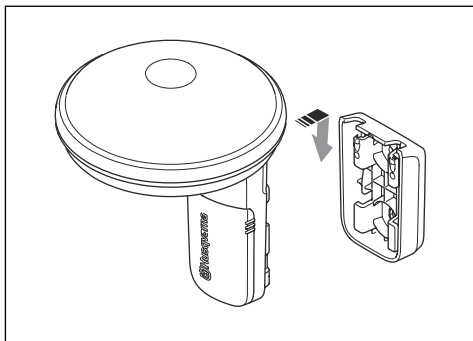


3. Nosilec pritrдите na drog in s ploščatim izvijačem zategnite objemke cevi.

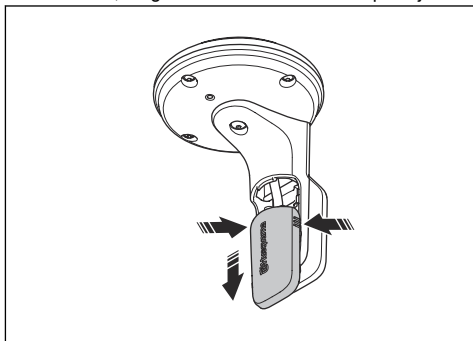


### 93.4.3 Namestititev referenčne postaje

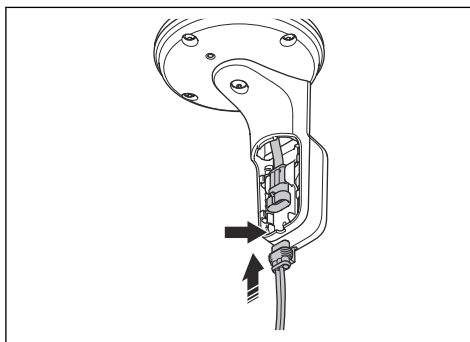
1. Referenčno postajo držite nad nosilcem in poravnajte roko referenčne postaje z režami v nosilcu.
2. Potisnite referenčno postajo navzdol, da jo pritrdite na nosilec.



3. Potisnite in držite pokrov kabla ter ga premaknite navzdol, da ga odstranite z referenčne postaje.



4. Priključite nizkonapetostni kabel v referenčno postajo. Nizkonapetostni kabel vstavite v režo za kabel.



5. Namestite pokrov kabla.
6. Nizkonapetostni kabel priklopite iz referenčne postaje v napajalno vtičnico.
7. Nizkonapetostni kabel pritrdite na steno ali drog s kabelskimi vezicami.



**POZOR:** Če nizkonapetostni kabel ni čvrsto pritrjen s kabelskimi vezicami, ga lahko poškoduje močan veter.

8. Napajalno enoto namestite 30-200 cm/ 1-6.5 čevljev nad tlemi. Glejte *Za pregled mesta za namestitev napajalnika na strani 131.*
9. Kabel napajalnika priključite na vtičnico napetosti 100-240 V.

**Opomba:** Indikator LED referenčne postaje nekaj minut utripa zeleno. Indikator LED sveti zeleno, ko referenčna postaja deluje. Glejte *Indikatorska lučka LED na referenčni postaji na strani 134.*

## 94 Vzdrževanje

### 94.1 Čiščenje referenčne postaje

Husqvarna priporoča uporabo posebnega kompleta za čiščenje in vzdrževanje, ki je na voljo kot dodatna oprema. Če potrebujete več informacij, se obrnite na predstavnika podjetja Husqvarna.



**POZOR:** Izdelka in polnilne postaje ne čistite z visokotlačnim čistilnikom. Pri čiščenju ne uporabljajte topil.

- Po potrebi izdelek očistite z vlažno krpo.

---

## 95 Odpravljanje težav

---

### 95.1 Indikatorska lučka LED na referenčni postaji

Lučka	Stanje
Utripa zeleno	Zagon referenčne postaje. Počakajte nekaj minut.
Sveti zeleno	Delovanje.
Utripa rdeče	Referenčna postaja ne deluje zaradi napake. Izključite napajalni kabel in ga znova priključite, da znova zaženete izdelek. Če napake ne morete odpraviti, se obrnite na svojega pooblaščenega servisnega zastopnika.
Utripa belo	Potrebna je posodobitev vdelane programske opreme. Obrnite se na lokalnega predstavnika podjetja Husqvarna.
Utripa rumeno	Samo za referenčno postajo v načinu repetitorja: Referenčna postaja v načinu repetitorja nima povezave z glavno referenčno postajo. Referenčna postaja je v načinu zagona ali nima povezave z glavno referenčno postajo. Če ni povezave, preverite glavno referenčno postajo ali najbližji repetitor.

---

## 96 Shranjevanje in odstranjevanje

---

### 96.1 Shranjevanje

Če referenčno postajo hranite v zaprtem prostoru, naj roka ostane nameščena na stebru ali steni, da boste lahko referenčno postajo znova namestili v prvotni položaj.

Če referenčno postajo hranite pozimi na prostem, vam priporočamo, da napajalnik ostane priključen.

### 96.2 Odstranitev

Spoštujte lokalne zahteve za recikliranje in veljavne predpise.

---

## 97 Tehnični podatki

---

### 97.1 Tehnični podatki

Mere	
Dolžina, cm/palci	17/6,7
Širina, cm/palci	16/6,3
Višina, cm/palci	22/8,7
Teža, kg/lb	0,5/1,1

<b>Podatki o izdelku</b>	
Vrsta napajalne enote	FW7313/28/D/XX/Y/1.3
Vhodna moč napajalnika, V AC	100–240
Izhodna moč napajalnika, V DC	28
Izhodna moč napajalnika, A	1,3
Dolžina nizkonapetostnega kabla v m/ft.	20/66
Referenčna postaja s kodo IP	IPX5
Napajalna enota s kodo IP	IP44
Poraba energije v W	2,8

<b>Podprti frekvenčni pasovi</b>	
Frekvenčno območje (za storitev) tehnologije Bluetooth®	2400,0–2483,5 MHz
SRD868 (Evropa)	863–870 MHz
SRD915 (Severna Amerika)	902–928 MHz
SRD915 (Avstralija)	915–928 MHz
SRD915 (Nova Zelandija)	915–928 MHz

<b>Razred moči</b>	
Izhodna moč (za storitev) tehnologije Bluetooth®	8 dBm
SRD868 (Evropa)	13 dBm
SRD915 (Severna Amerika)	13 dBm
SRD915 (Avstralija)	13 dBm
SRD915 (Nova Zelandija)	13 dBm

Popolne združljivosti med izdelkom in drugimi brezžičnimi sistemi, kot so daljinski upravljalniki in radijski prenosniki, ni mogoče zagotoviti.

## 97.2 Registrirane blagovne znamke

Besedna znamka in logotipi *Bluetooth®* so registrirane blagovne znamke v lasti *Bluetooth SIG, inc.*. Vsaka uporaba teh oznak s strani Husqvarna je na podlagi licence.

## 98 Izjava EU o skladnosti

### 98.1 Originalna izjava EU o skladnosti

#### EU Declaration of Conformity

ROB-CEPOS\_RS1-24-1E

We, Husqvarna AB, SE 561 82 Huskvarna, SWEDEN, Tel. +46 36 146500 declare on our sole responsibility that the products:

Description	Communication kit
Brand	HUSQVARNA
Type / Model	HUSQVARNA EPOS™ RS1 Reference Station Type 19.3.1
Identification	Serial numbers dating from 2023 week 51

complies fully with the following EU directives and regulations:

Directive/Regulation	Description
2014/53/EU	"relating to radio equipment"
2011/65/EU	"restriction of use of certain hazardous substances"

and that the following standards and/or technical specifications are applied;

EN 62368-1:2014+A11:2017  
EN IEC 63000:2018  
EN 55032:2015  
ETSI EN 301 489-1 V1.9.2  
ETSI EN 301 489-1 V2.2.3  
ETSI EN 301 489-3 V2.3.2  
ETSI EN 301 489-17 V3.2.4  
ETSI EN 301 489-17 V3.2.6  
ETSI EN 301 489-19 V2.1.1  
ETSI EN 300 328 2.2.2  
ETSI EN 300 220-1 V3.1.1  
ETSI EN 300 220-2 V3.2.1  
ETSI EN 303 413 V1.2.1

  
Sara Gard (Mar 8, 2024 15:26 GMT+1)

Sara Gard  
Huskvarna

Director Residential EPAC Robotic R&D  
Husqvarna AB, Husqvarna Forest & Garden  
Responsible for technical documentation





## 98.2 Prevedena izjava EU o skladnosti

Husqvarna AB, SE 561 82 Huskvarna, SWEDEN, Tel.  
+46 36 146500 na lastno odgovornost izjavljamo, da je  
izdelek:

<b>Opis</b>	<b>Komunikacijski komplet</b>
<b>Znamka</b>	HUSQVARNA
<b>Vrsta/model</b>	HUSQVARNA EPOS™ RS1 Reference Station Type 19.3.1
<b>Identifikacija</b>	Serijske številke iz leta 2023, 51. teden

v celoti skladen z naslednjimi direktivami in uredbami  
EU:

<b>Direktiva/uredba</b>	<b>Opis</b>
2014/53/EU	"v zvezi z radijsko opremo"
2011/65/EU	"o omejevanju uporabe nekaterih nevarnih snovi"

in so pri tem v veljavi naslednji standardi in/ali tehnične  
specifikacije;

- EN 62368-1:2014+A11:2017
- EN IEC 63000:2018
- EN 55032:2015
- ETSI EN 301 489-1 V1.9.2
- ETSI EN 301 489-1 V2.2.3
- ETSI EN 301 489-3 V2.3.2
- ETSI EN 301 489-17 V3.2.4
- ETSI EN 301 489-17 V3.2.6
- ETSI EN 301 489-19 V2.1.1
- ETSI EN 300 328 2.2.2
- ETSI EN 300 220-1 V3.1.1
- ETSI EN 300 220-2 V3.2.1
- ETSI EN 303 413 V1.2.1

Sara Gard

Huskvarna

Vodja oddelka za raziskave in razvoj na področju  
robotov EPAC za domačo rabo pri Husqvarna AB;  
Husqvarna Forest & Garden. Odgovorna oseba za  
tehnično dokumentacijo.









**Husqvarna**<sup>®</sup>

AUTOMOWER<sup>®</sup> is a trademark owned by Husqvarna AB.  
Copyright<sup>®</sup> 2024 HUSQVARNA. All rights reserved.

[www.husqvarna.com](http://www.husqvarna.com)

---

Original instructions  
Bruksanvisning i original  
Originale instruktioner  
Alkuperäiset ohjeet

Originale instruksjoner  
Instructions d'origine

Originale instructies  
Istruzioni originali  
Instrucciones originales  
Originalanweisungen  
Instruções originais  
Izvirna navodila



1143981-20



2024-09-06