

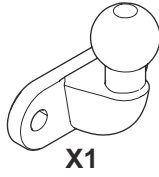
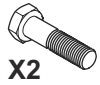


**Husqvarna®**

## **Husqvarna Attachments**

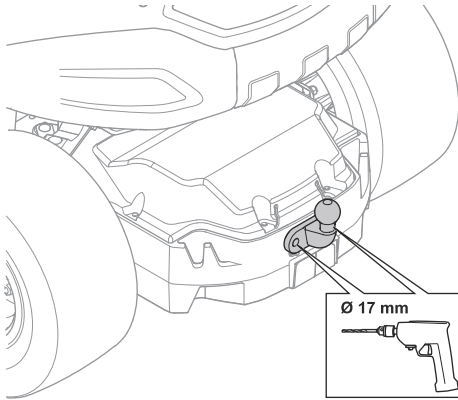
**Trailer Hook kit 529 80 75-01**

**Trailer Hook kit: 529 80 75-01**

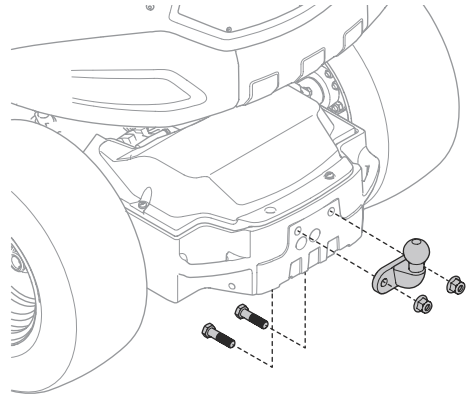


**1**

**D-models before 2021**

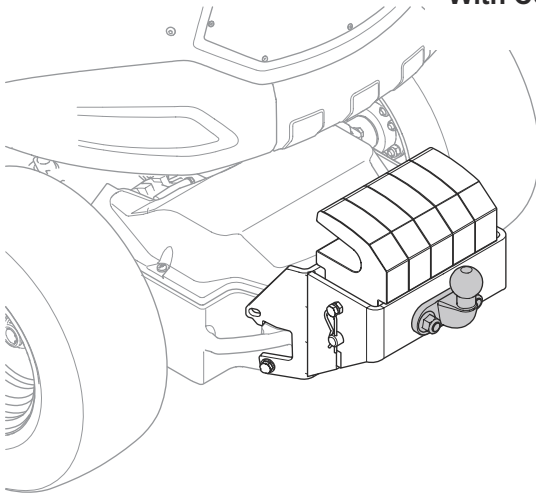


**2**



**3**

**With Counter Weights**







[www.husqvarna.com](http://www.husqvarna.com)

Original instructions



5311781-01

Rev. B

2024-01-19