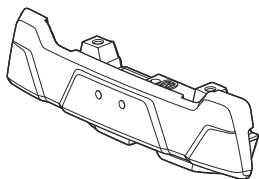




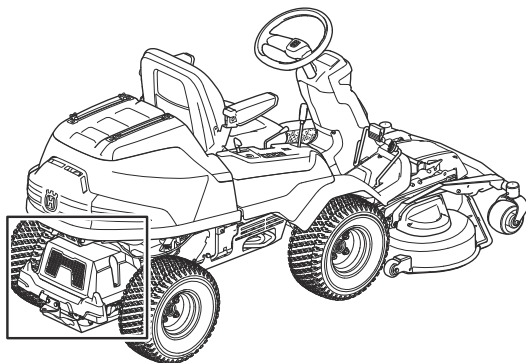
Husqvarna®

Husqvarna Attachments

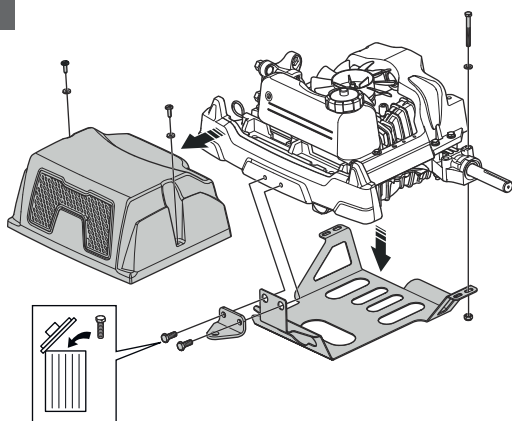
Counter Weight: 594 98 84-01



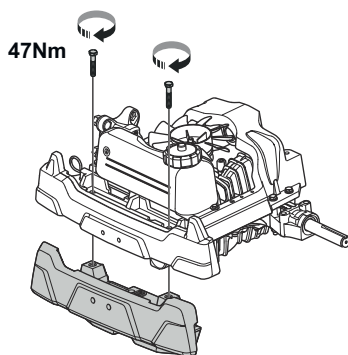
x4



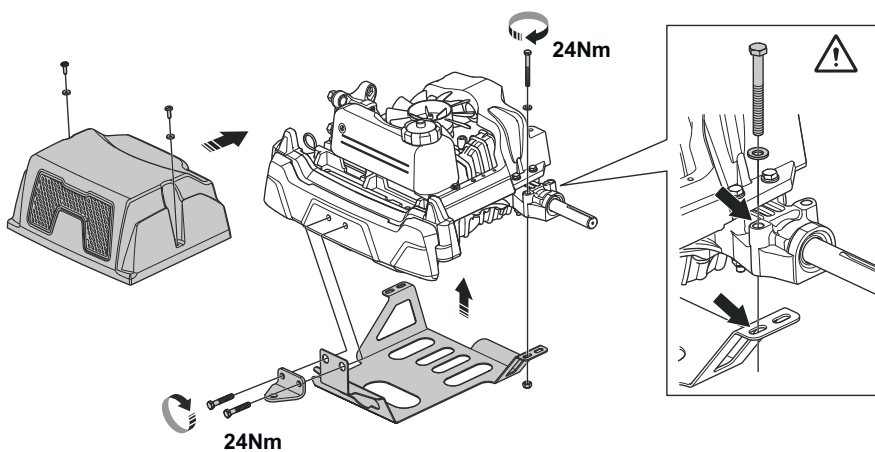
1



2



3





www.husqvarna.com

Original instructions



5973963-01

Rev. C



2024-03-25