

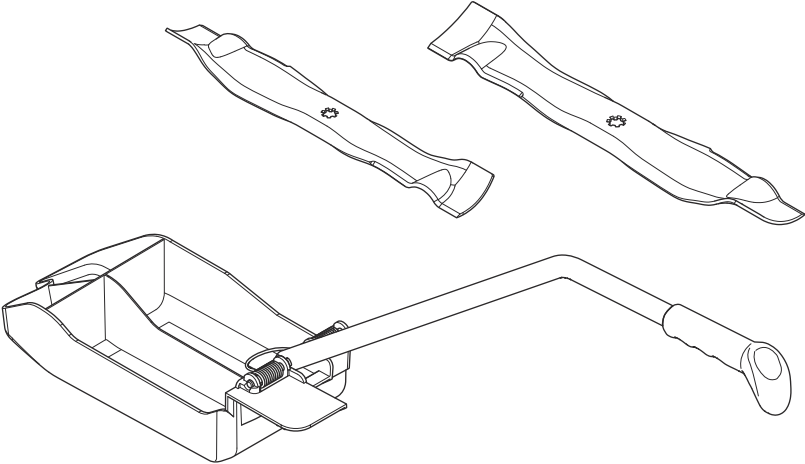


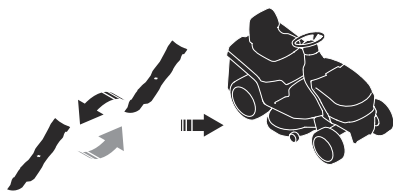
**H Husqvarna®**

## **Husqvarna Attachments**

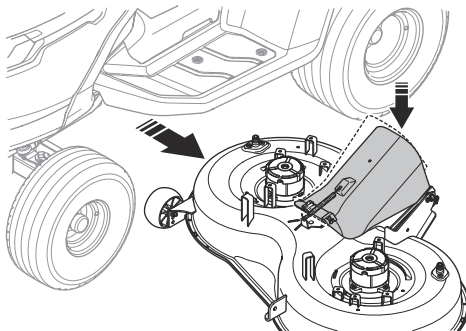
**Mulch kit 547 55 58-01**

**Mulch kit 547 55 58-01**

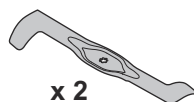
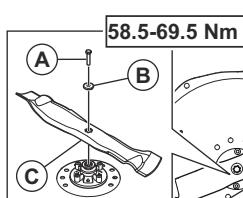




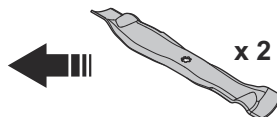
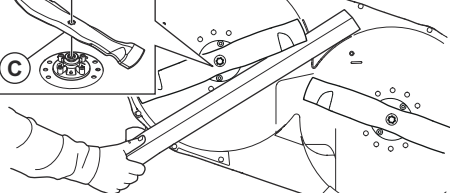
1



2

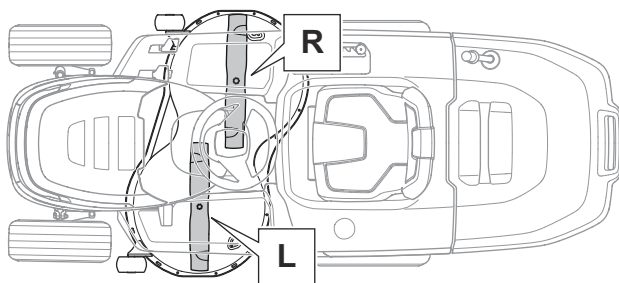


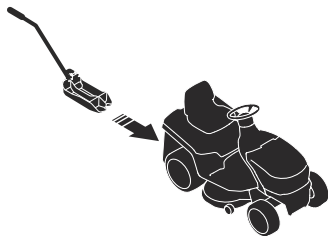
x 2



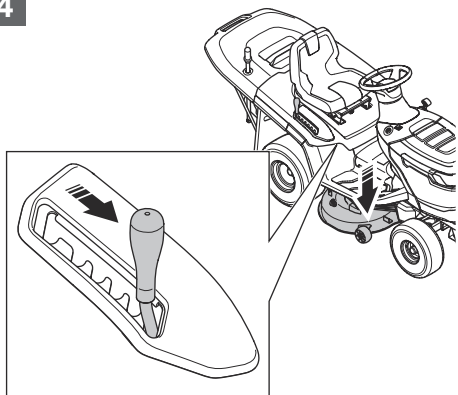
x 2

3

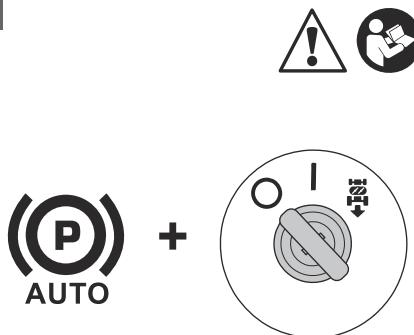




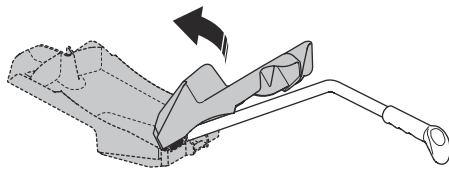
4



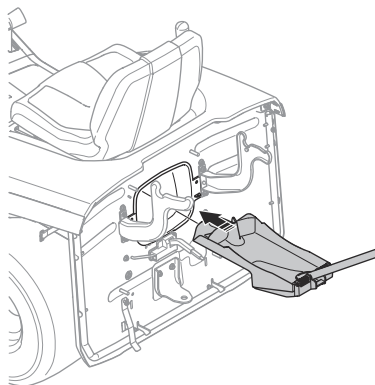
5



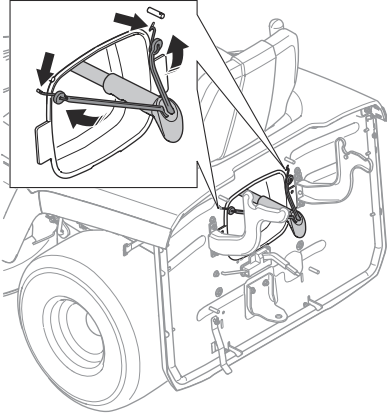
6



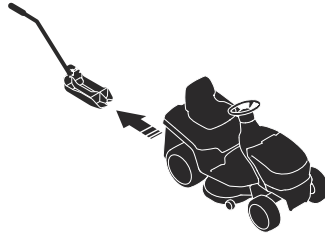
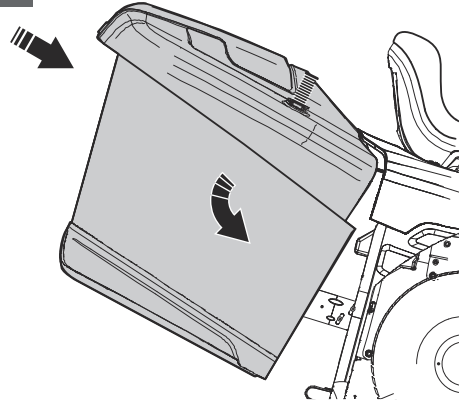
7



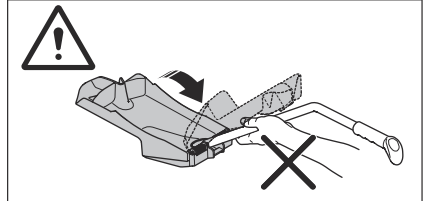
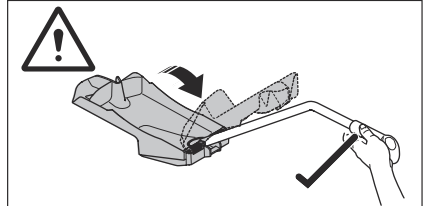
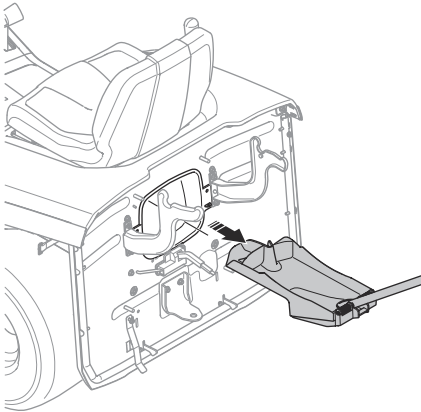
8



9



10







# Husqvarna<sup>®</sup>

[www.husqvarna.com](http://www.husqvarna.com)

Original instructions



1144013-38



2024-04-02