

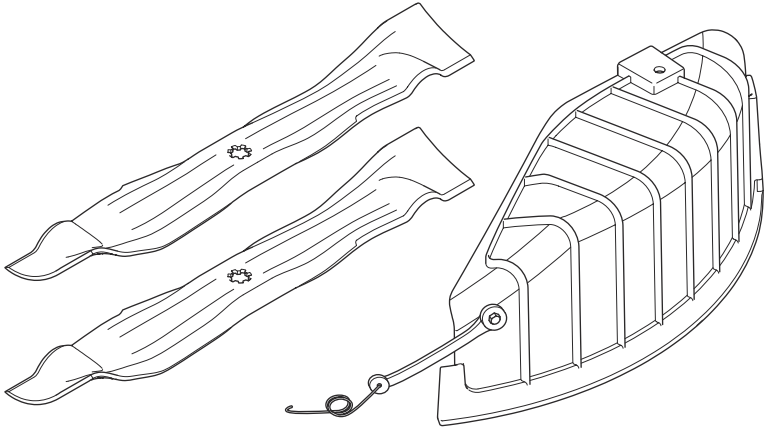


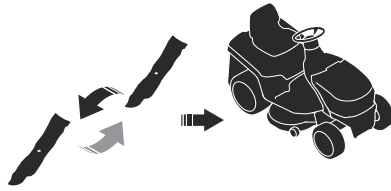
H Husqvarna®

Husqvarna Attachments

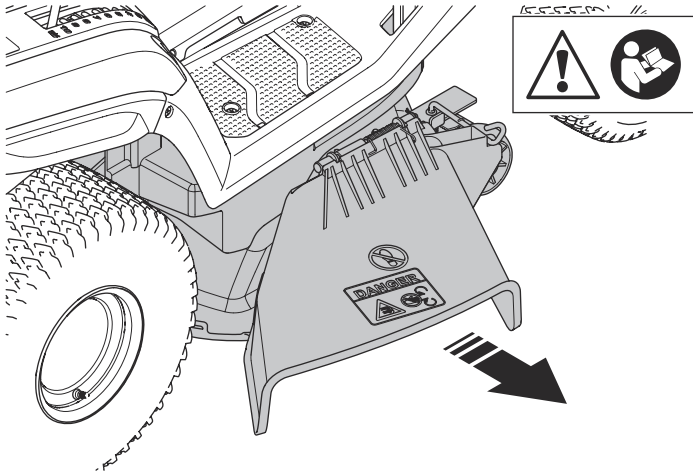
Mulch kit 546 51 52-01

Mulch kit: 546 51 52-01

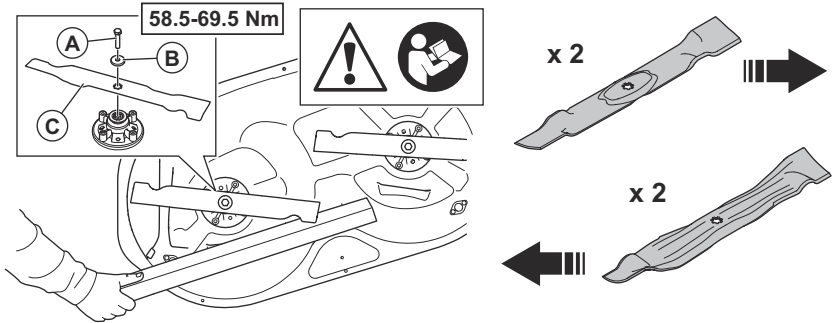


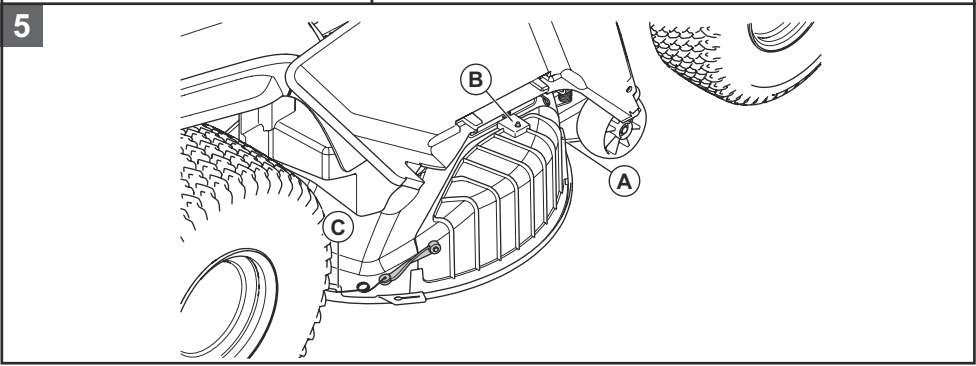
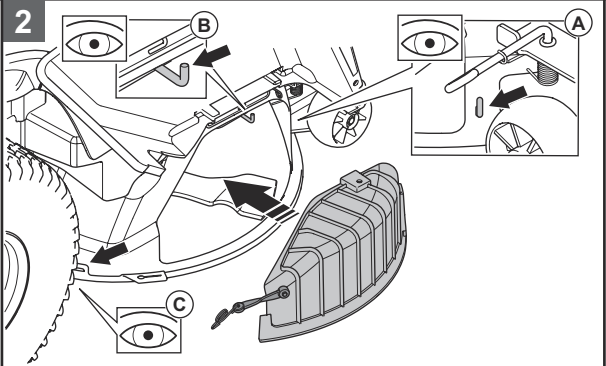
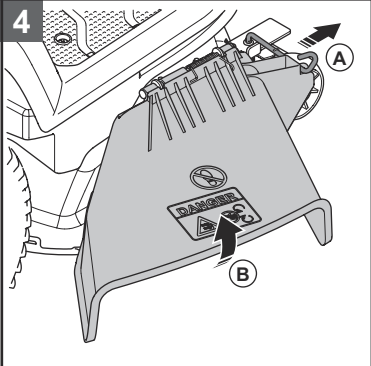
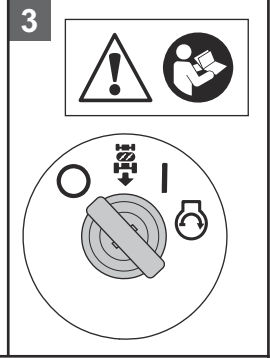
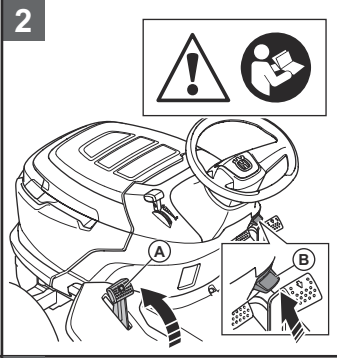
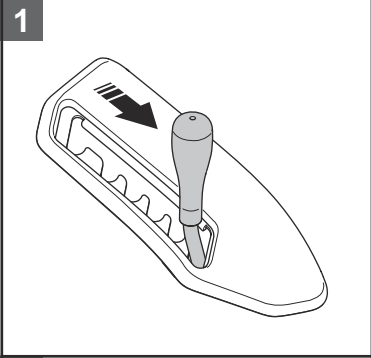
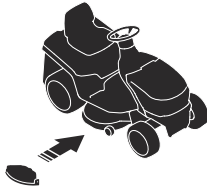


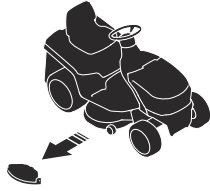
1



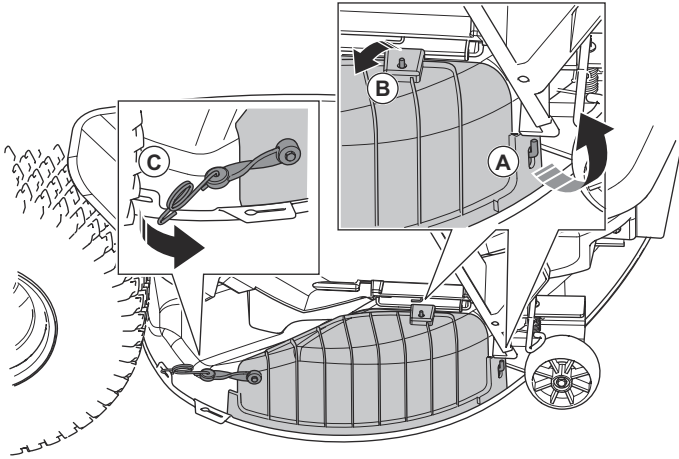
2







1



Husqvarna®

www.husqvarna.com

Original instructions



1143972-38



2024-03-15