



# Husqvarna<sup>®</sup>



PS900C

---

## Contents

---

Introduction.....	2	Troubleshooting.....	6
Safety.....	3	Transportation, storage and disposal.....	6
Assembly.....	5	Technical data.....	6
Operation.....	5		

---

## Introduction

---

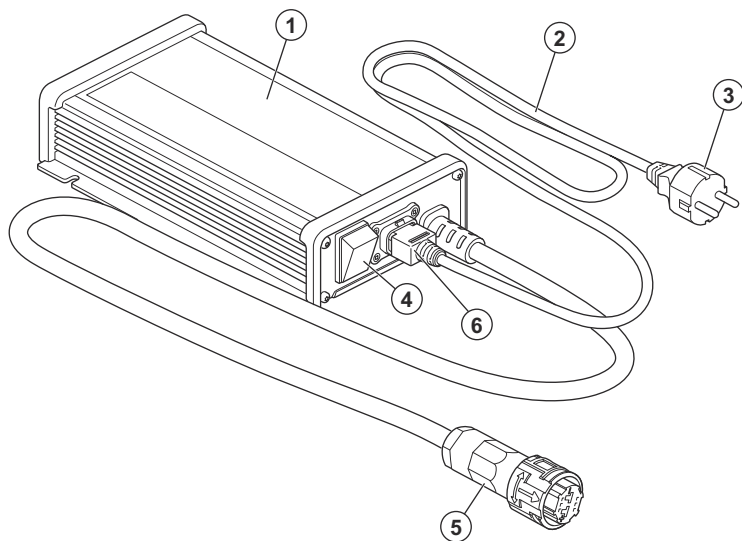
### Product description

The Husqvarna PS900C is a battery charger.

### Intended use

Use the battery charger to charge batteries in applicable Husqvarna products. Do not use the battery charger for other tasks.

### Battery charger overview



1. Battery charger
2. Power cord
3. Power plug, with different plugs for different markets
4. Charger ON/OFF switch
5. Charger plug
6. Power socket

### Symbols on the battery charger



Read the operator's manual carefully and make sure that you understand the instructions before use.



The battery charger agrees with the applicable EC directives.



This battery charger conforms to the applicable UK regulations.



IP54 - The battery charger has protection against dust and splashing water.



The battery charger or package of the battery charger is not domestic waste. Recycle it at an applicable disposal location for electrical and electronic equipment.



Scannable code.

---

**Note:** Other symbols/decals on the battery charger refer to certification requirements for some commercial areas.

---

---

## Safety

---

### Safety definitions

Warnings, cautions and notes are used to point out specially important parts of the manual.



**WARNING:** Used if there is a risk of injury or death for the operator or bystanders if the instructions in the manual are not obeyed.



**CAUTION:** Used if there is a risk of damage to the product, other materials or the adjacent area if the instructions in the manual are not obeyed.

**Note:** Used to give more information that is necessary in a given situation.

### Important safety instructions



**WARNING:** Read all safety warnings and all instructions. Failure to obey the warnings and instructions may result in electrical shock, fire and/or serious injury.

**Note:** Save all warnings and instructions.

- If the power cord is damaged, it must be replaced by

the manufacturer, its service agent or similarly qualified persons in order to avoid hazard.

- Regularly examine that the power cord is not damaged. Immediately disconnect the battery charger if the power cord is damaged.
- Only charge Husqvarna original batteries with the battery charger. If you have questions, speak to your Husqvarna dealer.
- Do not charge non-rechargeable batteries.
- Do not try to disassemble or repair the battery charger. All repairs are to be done by an approved dealer only. Do not use a damaged battery charger.
- Do not connect the battery charger terminals to metal objects.
- The power plug must only use a grounded mains socket.

- The power plug must only use a mains socket that has protection from rain.
- Use an approved and grounded mains socket that is not damaged.
- Do not lift the battery charger by the power cord. To disconnect the battery charger from a mains socket, pull out the power plug. Do not pull the power cord.
- Keep all cables and extension leads away from water, oil and sharp edges. Make sure that the power cord is not caught between doors, fences or equivalent.
- Do not use a damaged battery charger or battery.
- Do not use the battery charger when there is a risk of lightning.
- Do not use the battery charger near flammable materials or materials that can cause corrosion. Pull out the power plug to the battery charger if there is smoke or fire.
- Keep the battery charger away from children. Children should be supervised to ensure that they do not play with the battery charger.
- Keep the battery charger clean and away from sunlight.

---

**Note:** Applicable for the UK market only

---

- This battery charger can be used by children aged from 8 years and above and persons with reduced physical, sensory or mental capabilities or lack of experience and knowledge if they have been given supervision or instruction concerning use of the battery charger in a safe way and understand the hazards involved. Children shall not play with the battery charger. Cleaning and user maintenance shall not be made by children without supervision.

---

**Note:** Applicable for the AU/NZ market only

---

- This appliance is not intended for use by persons (including children) with reduced physical, sensory or mental capabilities, or lack of experience and knowledge, unless they have been given supervision or instruction concerning use of the appliance by a person responsible for their safety. Children should be supervised to ensure that

they do not play with the appliance.

---

## Assembly

---

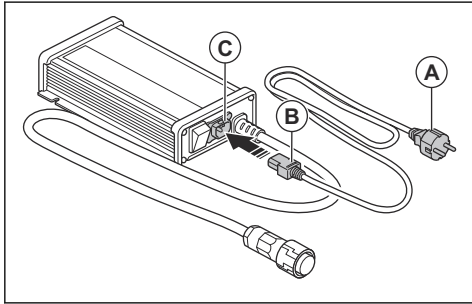
### To assemble the battery charger

---

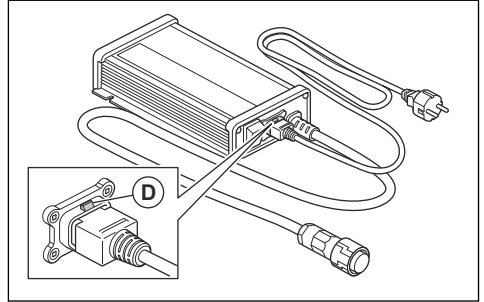
**Note:** Only use the battery charger with the supplied power cord set. Do not use external power cord set. If the power cord is damaged, it must be replaced by the manufacturer, its service agent or similarly qualified persons in order to avoid hazard.

---

1. Make sure that the power plug (A) is not connected to a mains socket.



2. Connect the power cord (B) to the power socket (C) on the battery charger.
3. Make sure that the lock function (D) is engaged.



---

## Operation

---

### To charge the battery

---



**CAUTION:** Use the battery charger in conditions where the temperature is between 0 °C (32 °F) and 40 °C (104 °F).

---



**CAUTION:** Only use the battery charger in a location that has a good airflow.

---

1. Make sure that the charger ON/OFF switch is set to OFF.
  2. Connect the power plug to a grounded mains socket.
- 



**CAUTION:** Only connect the battery charger to a mains socket that has the

voltage and frequency specified on the rating plate.

---

3. Connect the charger plug to the socket for the battery charger on the product.
  4. Set the charger ON/OFF switch to ON. If possible, make sure that the product shows that the battery charges.
- 

**Note:** For the location of the charge indicator, refer to the Operator's manual for the product.

---

5. Set the charger ON/OFF switch to OFF when the battery is fully charged. For charge times, refer to the Operator's manual for the product.
6. Disconnect the charger plug from the socket for the battery charger on the product.
7. Pull the power plug to disconnect the battery charger from the mains socket. Do not pull the power cord.

---

## Troubleshooting

---

### Troubleshooting

Symptoms	Cause	Solution
The battery does not charge.	The battery charger is not correctly connected to the mains outlet.	Connect the battery charger to a mains outlet.
	The power cord is not correctly connected to the battery charger.	Connect the power cord to the battery charger.
	The charger ON/OFF switch is set to OFF.	Set the charger ON/OFF switch to ON.
	The battery charger is not correctly connected to the product.	Connect the battery charger to the product.
	The battery is damaged.	Disconnect the battery charger and speak to an approved servicing dealer.
	The battery charger or the power cord is damaged.	Disconnect the battery charger and speak to an approved servicing dealer.

---

## Transportation, storage and disposal

---

### Transportation and storage

- Safely attach the battery charger during transportation to prevent damage and accidents.
- Keep the battery charger away from metal objects, for example nails, screws or jewelry.
- Keep the battery charger in a locked area to prevent access for children or persons that are not approved.
- Put the battery charger in a dry, frost-free and clean area. The ambient temperature must be between 0 °C / 32 °F and 50 °C / 122 °F.
- Keep the battery charger away from sunlight.
- Clean the battery charger before storage.

- Disconnect the battery charger before storage.

### Disposal

Husqvarna battery chargers are not domestic waste. Obey the disposal instructions.

- Obey the local disposal requirements and applicable regulations.
- Recycle the battery charger and package at an applicable disposal location.
- Speak to your local Husqvarna dealer for more information on how to recycle and discard the battery charger.

---

## Technical data

---

### TECHNICAL DATA

<b>Battery charger</b>	<b>PS900C</b>
Output Voltage, VDC	58
Number of batteries that can be charged at the same time	1–3

## TECHNICAL DATA

<b>Battery</b>	<b>Husqvarna EV1 module</b>
Type	Li-ion
Capacity	58.8 V, Max. 38.5 Ah

# Husqvarna®

[www.husqvarna.com](http://www.husqvarna.com)

Original instructions



1143945-26



2024-03-20