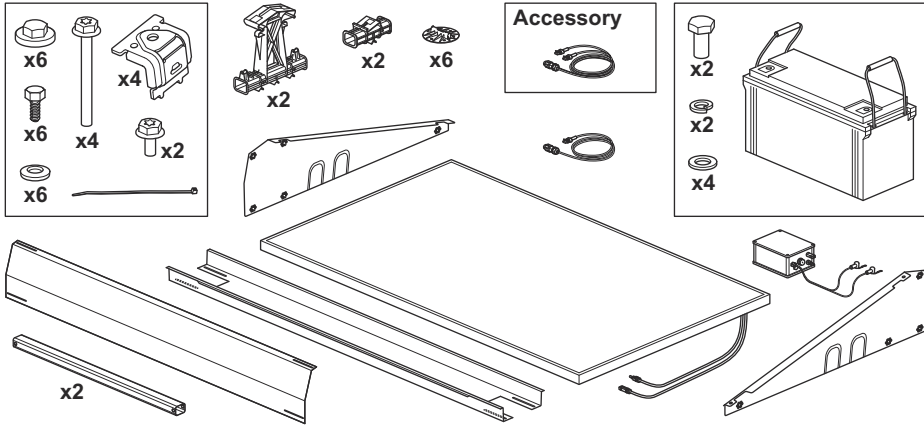


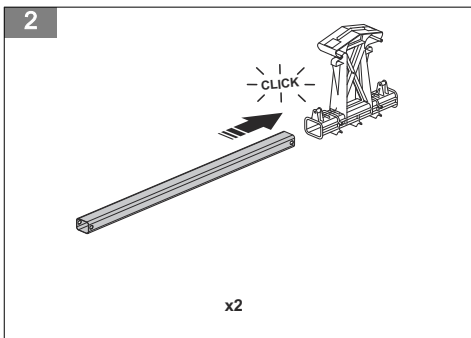


Husqvarna<sup>®</sup> Solar Charger

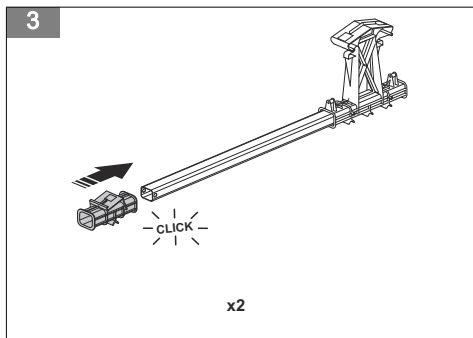
1



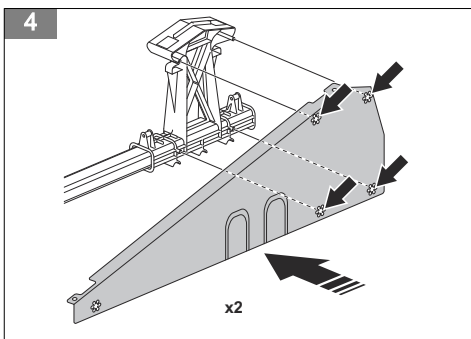
2



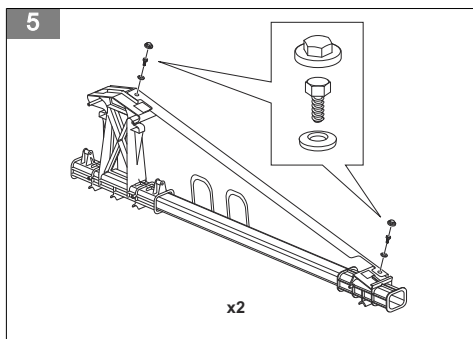
3

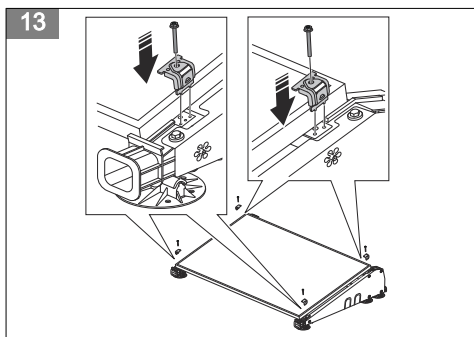
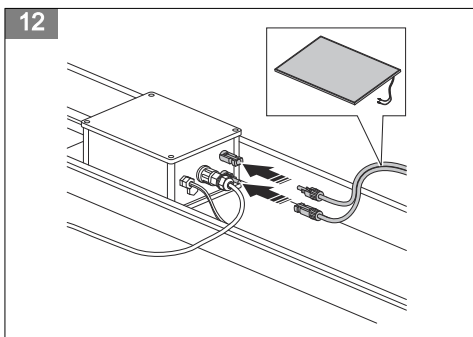
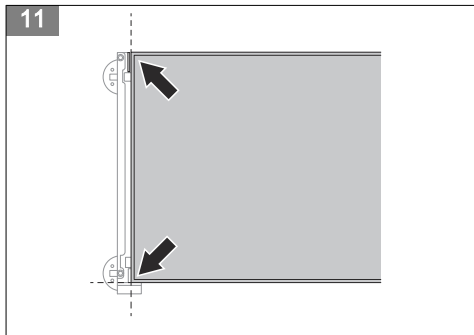
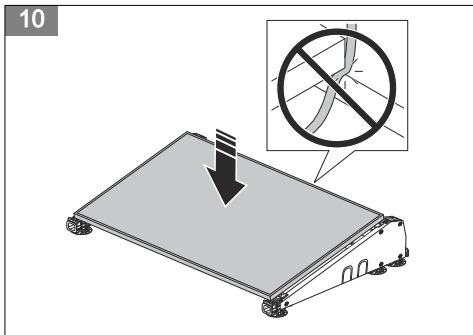
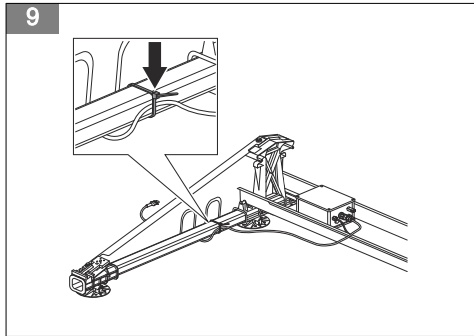
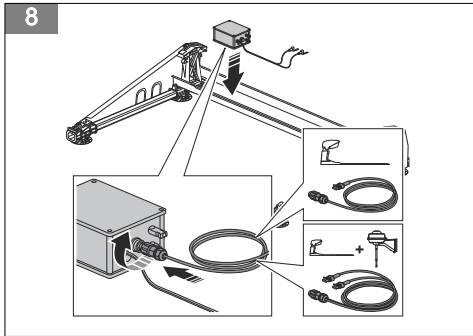
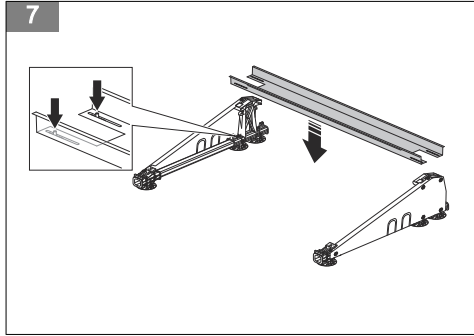
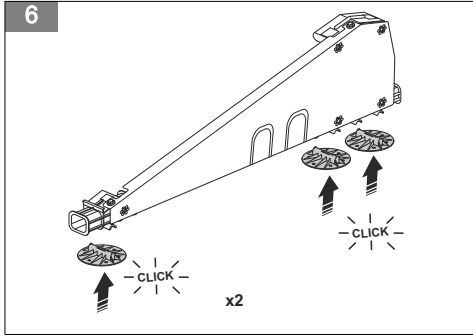


4

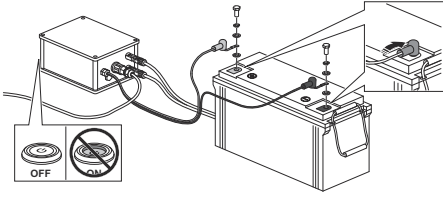


5

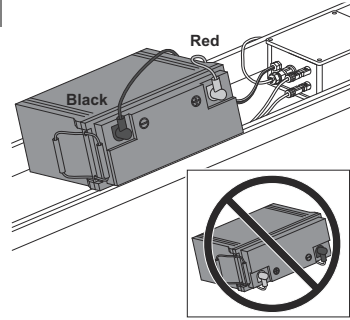




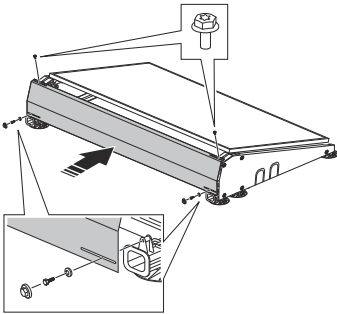
14



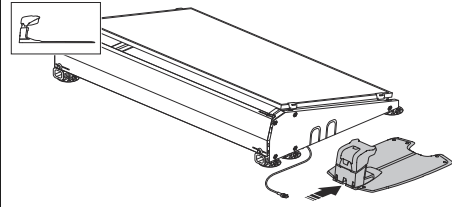
15



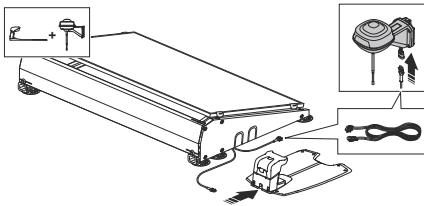
16



17



18











**Husqvarna®**

AUTOMOWER® is a trademark owned by Husqvarna AB.  
Copyright® 2024 HUSQVARNA. All rights reserved.

[www.husqvarna.com](http://www.husqvarna.com)

---

Original instructions



5472880-01



2024-03-28