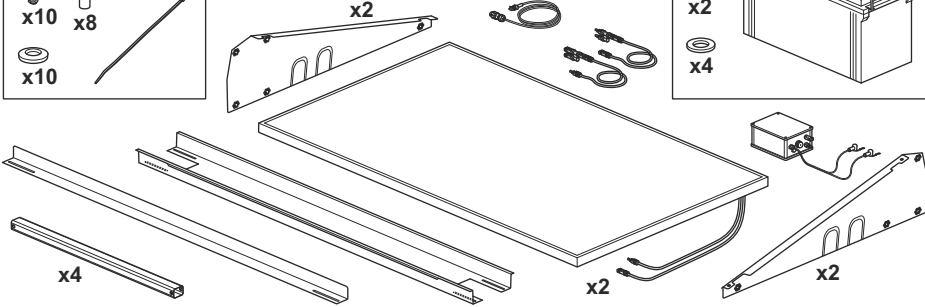
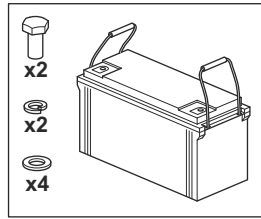
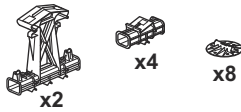
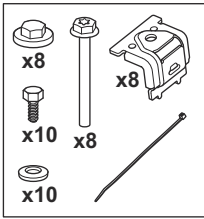


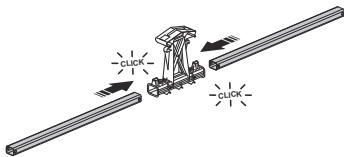


Husqvarna<sup>®</sup> Solar Charger

1

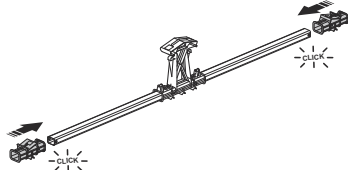


2



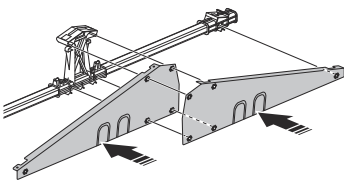
x2

3



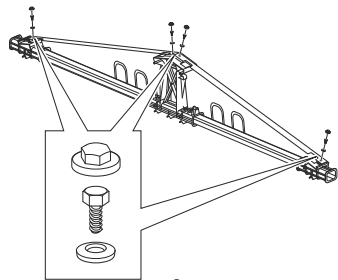
x2

4

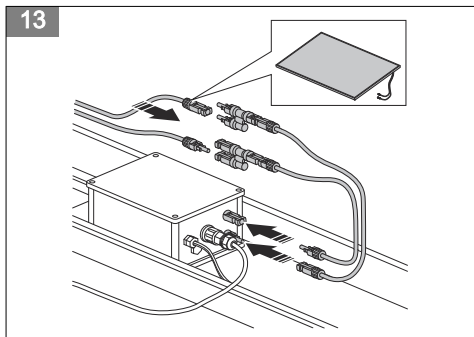
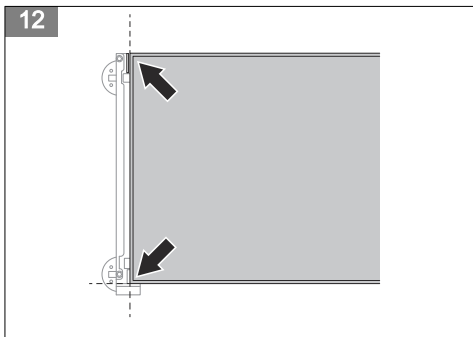
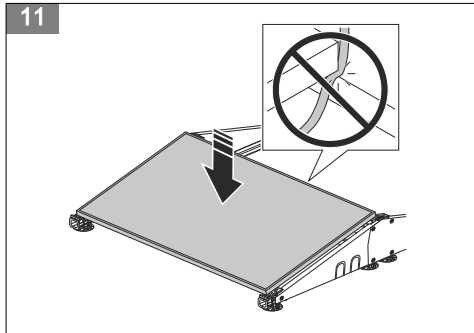
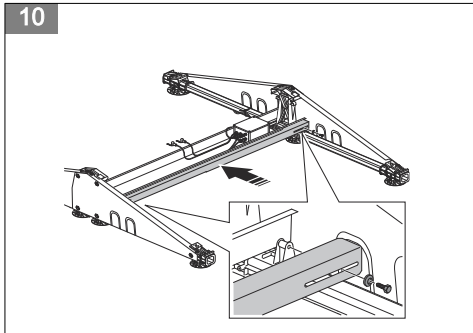
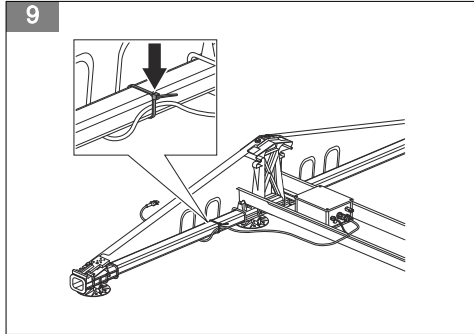
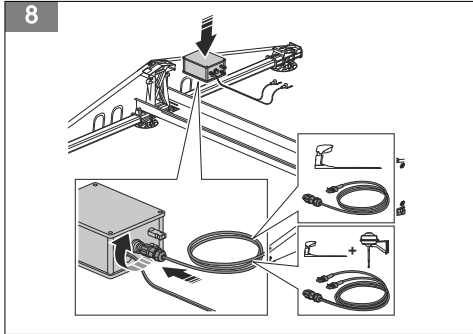
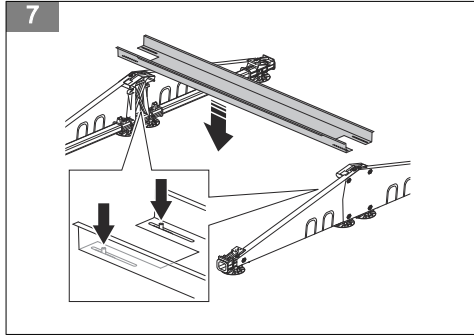
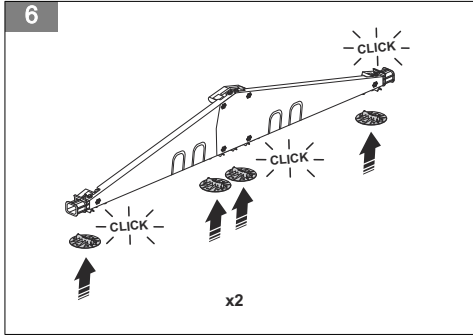


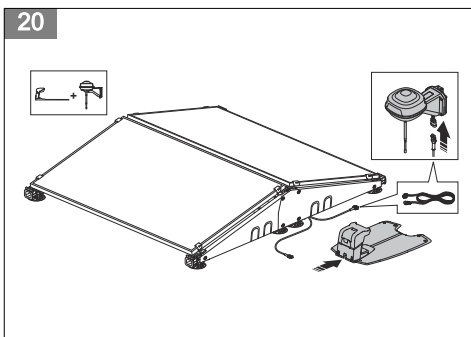
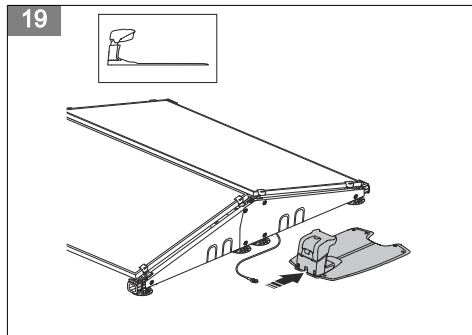
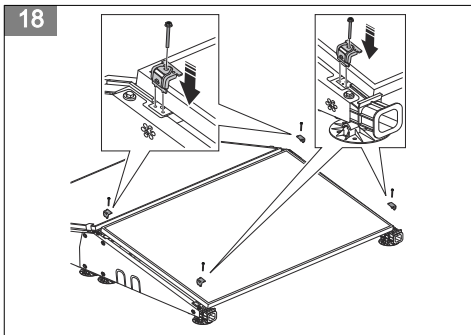
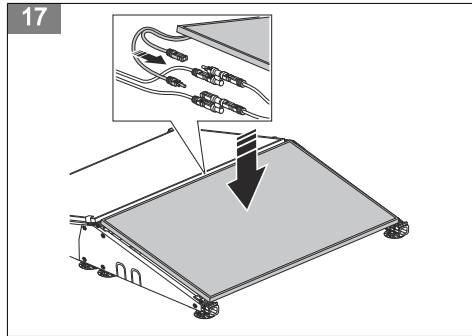
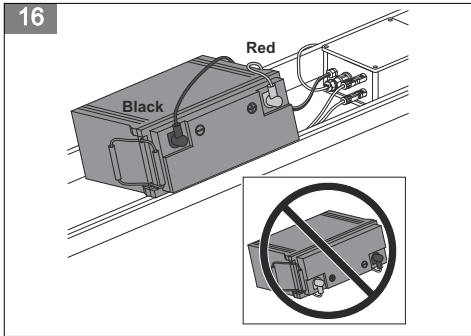
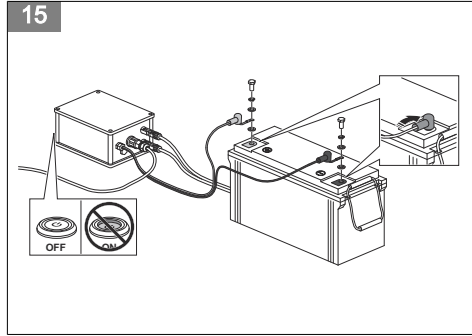
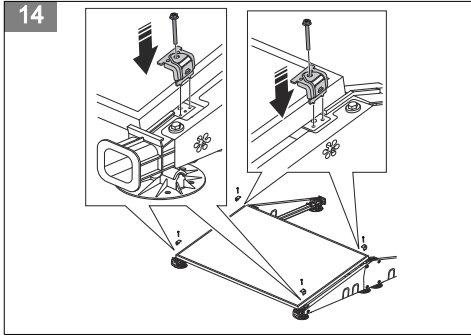
x2

5



x2













**Husqvarna®**

AUTOMOWER® is a trademark owned by Husqvarna AB.  
Copyright® 2024 HUSQVARNA. All rights reserved.

[www.husqvarna.com](http://www.husqvarna.com)

---

Original instructions



5472880-02



2024-04-25