



Husqvarna[®]



350iB

EAC

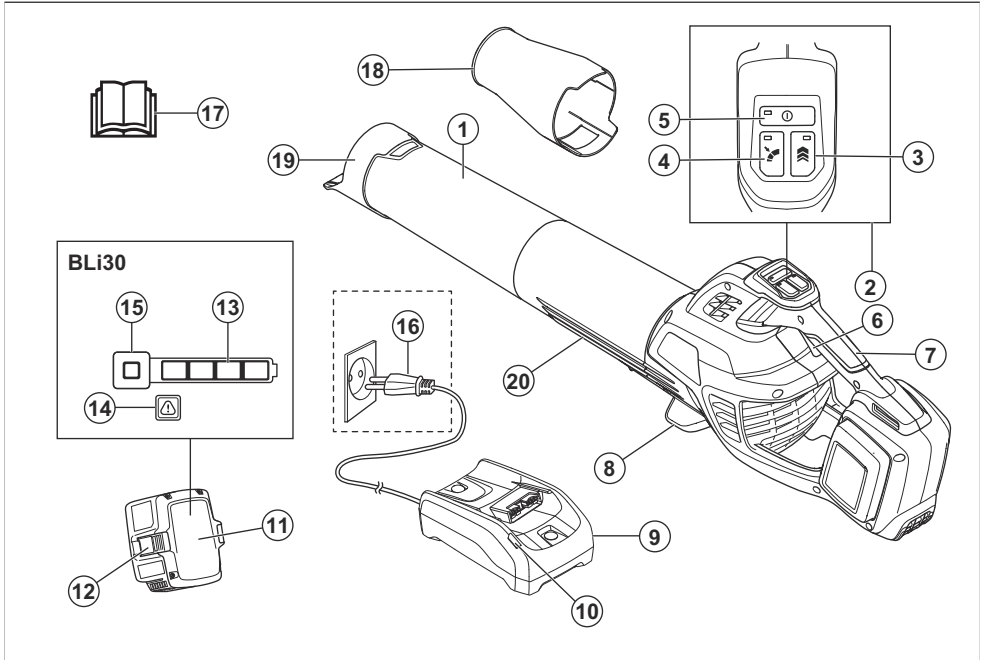
EN	Operator's manual	2-20
FR	Manuel d'utilisation	21-42
ES-MX	Manual del usuario	43-63
PT-BR	Manual do operador	64-84
RU	Руководство по эксплуатации	85-108

Contents

Introduction.....	2	Maintenance.....	16
Safety.....	5	Troubleshooting.....	17
Assembly.....	13	Transportation, storage and disposal.....	18
Operation.....	14	Technical data.....	19

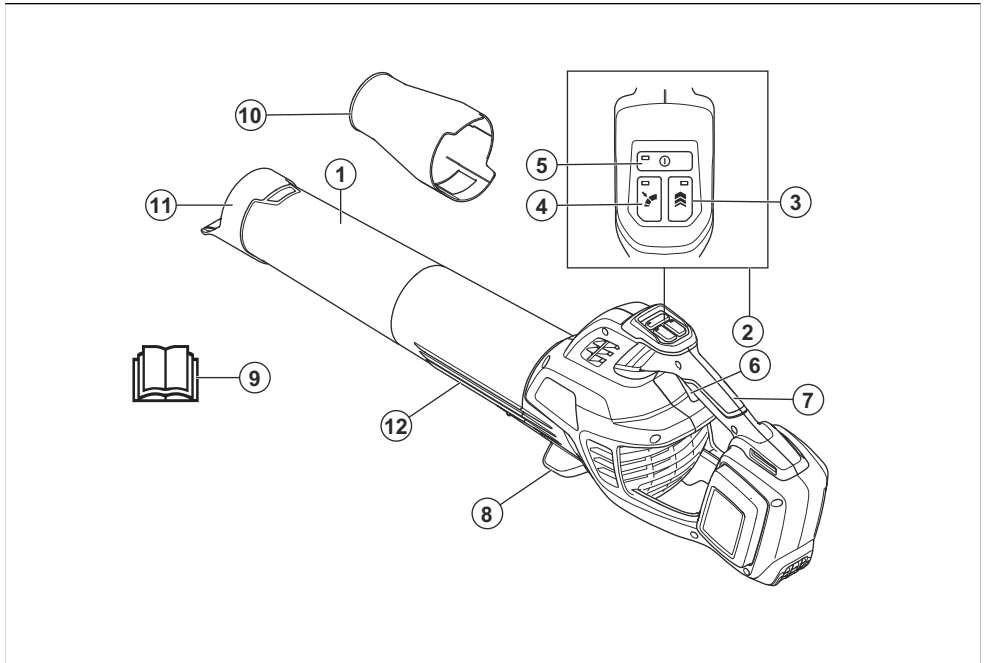
Introduction

Product overview



- | | |
|---|---------------------------------------|
| 1. Lower tube | 11. Battery, included in the kit only |
| 2. Keypad | 12. Battery release button |
| 3. Power boost button | 13. Battery status indicator |
| 4. Cruise control: Set the optimal air flow for your work | 14. Warning indicator (error LED) |
| 5. Power button | 15. Battery indicator button |
| 6. Power trigger | 16. Power plug |
| 7. Handle | 17. Operator's manual |
| 8. Supports | 18. High speed nozzle |
| 9. Battery charger, included in the kit only | 19. Scraper tool |
| 10. Power and warning indicator | 20. Upper tube |

Product overview



1. Lower tube
2. Keypad
3. Power boost button
4. Cruise control: Set the optimal air flow for your work
5. Power button
6. Power trigger
7. Handle
8. Supports
9. Operator's manual
10. High speed nozzle
11. Scraper tool
12. Upper tube

Product description

The Husqvarna 350iB is a blower model with an electric motor.

We have a policy of continuous product development and therefore reserve the right to modify the design and the appearance of the products without prior notice.

Intended use

This product is designed for blowing leaves and other debris from lawns, pathways, asphalt roads and the like.

Symbols on the product



WARNING! Risk of serious injury or death to the operator or others. Be careful and use the product correctly.



Read the operator's manual carefully and understand the instructions before operation of the product.



Always use approved eye protection while you operate the product.



Always use approved hearing protection while you operate the product.



Use approved protective boots and gloves. Wear long sleeves and pants.



Keep hair above shoulders.



Do not leave, store or use in the rain or in wet conditions.



Do not wear jewelry when you operate the product.



Direct current.



The product or package of the product is not domestic waste. Recycle it at a recycling station for electrical and electronic equipment.



The blower operator must ensure that no people or animals come closer than 15 metres. When several operators are working at the same site a safety distance of at least 15 metres must be in effect. The blower can forcibly throw objects that can bounce back. This can result in serious eye injuries if the recommended safety equipment is not used.



yyyy
wwxxxxx

The rating plate shows serial number. **yyyy** is the production year, **ww** is the production week.

Symbols on the product



WARNING! Risk of serious injury or death to the operator or others. Be careful and use the product correctly.



Read the operator's manual carefully and understand the instructions before operation of the product.



Always use approved hearing protection while you operate the product.



Always use approved eye protection while you operate the product.



Use approved protective boots and gloves. Wear long sleeves and pants.



Keep hair above shoulders.



Do not leave, store or use in the rain or in wet conditions.



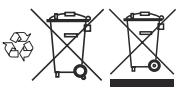
Do not wear jewelry when you operate the product.



The blower operator must ensure that no people or animals come closer than 15 meters. When several operators are working at the same site a safety distance of at least 15 meters must be in effect. The blower can forcibly throw objects that can bounce back. This can result in serious eye injuries if the recommended safety equipment is not used.



Symbols on the battery



Recycle this product at a recycling station for electrical and electronic equipment.



Direct current.

yywwxxxxx

The rating plate or the laser printing shows the serial number. **yy** is the production year and **ww** is the production week.

Note: Other symbols/decals on the product refer to certification requirements for some commercial areas.

Symbols on the battery charger



Be careful and use the product correctly. This product can cause serious injury or death to the operator or others.



Read the operator's manual carefully and make sure that you understand the instructions before use.



The product agrees with the applicable EC directives.



The product or package of the product is not domestic waste. Recycle it at an applicable disposal location for electrical and electronic equipment.



Use and keep the battery charger indoors only.

Note: Other symbols/decals on the battery charger refer to certification requirements for some commercial areas.

California Proposition 65



WARNING

This product contains or emits a chemical known to the State of California to cause cancer or birth defects or other reproductive harm.

Customer assistance

For customer assistance, call: 1-800-487-5951 or visit www.usa.husqvarna.com.

Manufacturer

Husqvarna Professional Products, Inc.

9335 Harris Corners Pkwy, Charlotte, NC 28269, USA

Product damage

We are not responsible for damages to our product if:

- the product is incorrectly repaired.
- the product is repaired with parts that are not from the manufacturer or not approved by the manufacturer.
- the product has an accessory that is not from the manufacturer or not approved by the manufacturer.
- the product is not repaired at an approved service center or by an approved authority.

Safety

Safety definitions

Warnings, cautions and notes are used to point out specially important parts of the manual.



WARNING: Used if there is a risk of injury or death for the operator or bystanders if the instructions in the manual are not obeyed.



CAUTION: Used if there is a risk of damage to the product, other materials or the adjacent area if the instructions in the manual are not obeyed.

Note: Used to give more information that is necessary in a given situation.

IMPORTANT SAFETY INSTRUCTIONS



WARNING: Read all safety warnings and all instructions. Failure to follow the warnings and instructions may result in electric shock, fire and/or serious injury.

Read all instructions



WARNING: When using electric gardening appliances, basic safety precautions should always be followed to reduce the risk of fire, electric shock, and personal injury, including the following:

General machine safety warnings



WARNING: Read all safety warnings, instructions, illustrations and specifications provided with this machine. Failure to follow all instructions listed below may result in electric shock, fire and/or serious injury.

Note: Save all warnings and instructions for future reference. The term "machine" in the warnings refers to your mains-operated (corded) machine or battery-operated (cordless) machine.

Work area safety

- **Keep work area clean and well lit.** Cluttered or dark areas invite accidents.
- **Do not operate machines in explosive atmospheres,** such as in the presence of flammable liquids, gases or dust. Machines create sparks which may ignite the dust or fumes.
- **Keep children and bystanders away while operating a machine.** Distractions can cause you to lose control.

Electrical safety

- **Machine plugs must match the outlet. Never modify the plug in any way. Do not use any adapter plugs with earthed (grounded) machines.** *Unmodified plugs and matching outlets will reduce risk of electric shock.*
- **Avoid body contact with earthed or grounded surfaces, such as pipes, radiators, ranges and refrigerators.** *There is an increased risk of electric shock if your body is earthed or grounded.*
- **Do not expose machines to rain or wet conditions.** *Water entering a machine will increase the risk of electric shock.*
- **Do not abuse the cord. Never use the cord for carrying, pulling or unplugging the machine. Keep cord away from heat, oil, sharp edges or moving parts.** *Damaged or entangled cords increase the risk of electric shock.*
- **When operating a machine outdoors, use an extension cord suitable for outdoor use.** *Use of a cord suitable for outdoor use reduces the risk of electric shock.*
- **If operating a machine in a damp location is unavoidable, use a ground fault circuit interrupter (GFCI) protected supply.** *Use of an GFCI reduces the risk of electric shock.*

Personal safety

- **Stay alert, watch what you are doing and use common sense when operating a machine. Do not use a machine while you are tired or under the influence of drugs, alcohol or medication.** *A moment of inattention while operating machines may result in serious personal injury.*
- **Use personal protective equipment. Always wear eye protection.** *Protective equipment such as dust mask, non-skid safety shoes, hard hat, or hearing protection used for appropriate conditions will reduce personal injuries.*
- **Prevent unintentional starting. Ensure the switch is in the OFF-position before connecting to a power source and/or battery pack, picking up or carrying the machine.** *Carrying machines with your finger on the switch or energizing machines that have the switch on invites accidents.*
- **Remove any adjusting key or wrench before turning the machine on.** *A wrench or a key left*

attached to a rotating part of the machine may result in personal injury.

- **Do not overreach. Keep proper footing and balance at all times.** *This enables better control of the machine in unexpected situations.*
- **Dress properly. Do not wear loose clothing or jewelry. Keep your hair, clothing and gloves away from moving parts.** *Loose clothes, jewelry or long hair can be caught in moving parts.*
- **If devices are provided for the connection of dust extraction and collection facilities, ensure these are connected and properly used.** *Use of dust collection can reduce dust-related hazards.*
- **Do not let familiarity gained from frequent use of tools allow you to become complacent and ignore tool safety principles.** *A careless action can cause severe injury within a fraction of a second.*
- The vibration emission during actual use of the machine can differ from the declared total value depending on the ways in which the machine is used. Operators should identify safety measures to protect themselves that are based on an estimation of exposure in the actual conditions of use (taking account of all parts of the operating cycle such as the times when the machine is switched off and when it is running idle in addition to the trigger).

Machine use and care

- **Do not force the machine. Use the correct machine for your application.** *The correct machine will do the job better and safer at the rate for which it was designed.*
 - **Do not use the machine if the switch does not turn it on and off.** *Any machine that cannot be controlled with the switch is dangerous and must be repaired.*
 - **Disconnect the plug from the power source and/or remove the battery pack, if detachable, from the machine before making any adjustments, changing accessories, or storing machines.** *Such preventive safety measures reduce the risk of starting the machine accidentally.*
 - **Store idle machines out of the reach of children and do not allow persons unfamiliar with the machine or these instructions to operate the machine.** *Machines are dangerous in the hands of untrained users.*
- **Maintain machines and accessories. Check for misalignment or binding of moving parts, breakage of parts and any other condition that may affect the machine's operation. If damaged, have the machine repaired before use.** *Many accidents are caused by poorly maintained machines.*
 - **Keep cutting machines sharp and clean.** *Properly maintained cutting machines with sharp cutting edges are less likely to bind and are easier to control.*
 - **Use the machine, accessories and tool bits etc. in accordance with these instructions, taking into account the working conditions and the work to be performed.** *Use of the machine for operations different from those intended could result in a hazardous situation.*
 - **Keep handles and grasping surfaces dry, clean and free from oil and grease.** *Slippery handles and grasping surfaces do not allow for safe handling and control of the machine in unexpected situations.*

Battery tool use and care

- **Recharge only with the charger specified by the manufacturer.** *A charger that is suitable for one type of battery pack may create a risk of fire when used with another battery pack.*
- **Use machines only with specifically designated battery packs.** *Use of any other battery packs may create a risk of injury and fire.*
- **When battery pack is not in use, keep it away from other metal objects, like paper clips, coins, keys, nails, screws or other small metal objects, that can make a connection from one terminal to another.** *Shorting the battery terminals together may cause burns or a fire.*
- **Under abusive conditions, liquid may be ejected from the battery; avoid contact. If contact accidentally occurs, flush with water. If liquid contacts eyes, additionally seek medical help.** *Liquid ejected from the battery may cause irritations or burns.*
- **Do not use a battery pack or tool that is damaged or modified.** *Damaged or modified batteries may exhibit unpredictable behavior resulting in fire, explosion or risk of injury.*
- **Do not expose a battery pack or tool to fire or excessive temperature.** *Exposure to fire or temperature above 130 °C (265 °F) may cause explosion.*

- Follow all charging instructions and do not charge the battery pack or tool outside the temperature range specified in the instructions. *Charging improperly or at temperatures outside the specified range may damage the battery and increase the risk of fire.*

Service

- Have your machine serviced by a qualified repair person using only identical replacement parts. *This will ensure that the safety of the machine is maintained.*
- Never service damaged battery packs. *Service of battery packs should only be performed by the manufacturer or authorized service providers.*

Garden blower safety warnings

- Do not use the garden blower in bad weather conditions, especially when there is a risk of lightning. *This decreases the risk of being struck by lightning.*
- Wear eye protection and ear protection. *Adequate protective equipment will reduce the risk of personal injury.*
- While operating the garden blower, always wear non-slip and protective footwear. Do not operate the garden blower when barefoot or wearing open sandals. *This reduces the risk of injury to the feet.*
- Do not wear loose fitting clothing or articles such as scarves, strings, chains, ties, etc., that could get drawn into the air inlets. Tie back or cover long hair to make sure it does not get drawn into the air inlets, it can increase the risk of personal injury.
- Keep bystanders away while operating the garden blower. *Thrown debris can increase the risk of personal injury.*
- Never point the blower nozzle in the direction of people or pets or in the direction of windows. Use extra caution when blowing debris near solid objects, such as trees, automobiles and walls that can cause debris to ricochet. *Thrown objects can damage property and increase the risk of personal injury.*
- Do not use the garden blower to blow anything that is burning or smoking, such as cigarettes, matches or hot ashes. *These ignition sources may increase the risk of fire.*

- Do not touch the fan while still in motion. Turn off the garden blower and wait until the fan stops before removing any part that may give access to the fan. *This reduces the risk of injury from moving parts.*
- When clearing jammed material or servicing the garden blower, make sure the power switch is off. *Unexpected starting of the machine while clearing jammed material or servicing may result in serious personal injury.*

General safety instructions



WARNING: Read the warning instructions that follow before you use the product.

- Incorrect or careless use of the product can turn it into a dangerous tool that can cause serious or even fatal injury to the operator or others. You must read and understand the contents of this operator's manual.
- Under no circumstances may the design of the product be modified without the permission of the manufacturer. Never use a product that has been modified in any way from its original specification and always use original accessories. Non-authorized modifications and/or accessories can result in serious personal injury or the death of the operator or others. Your warranty may not cover damage or liability caused by the use of non-authorized accessories or replacement parts.
- This product produces an electromagnetic field during operation. This field may under some circumstances interfere with active or passive medical implants. To reduce the risk of serious or fatal injury, we recommend persons with medical implants to consult their physician and the medical implant manufacturer before operating this product.
- Remove the battery from the product during charging.

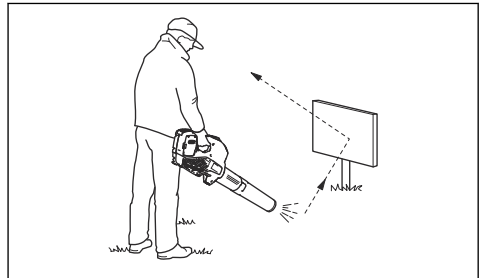
Safety instructions for operation



WARNING: Read the warning instructions that follow before you use the product.

- If you encounter a situation where you are uncertain how to proceed you should ask an expert. Contact your dealer or your service workshop. Avoid all usage which you consider to be beyond your capability.
- Never use the product in bad weather, for instance in fog, in rain, strong winds, intense cold, etc.
- Do not allow children to use or be in the vicinity of the product. Since the product is easy to start, children may be able to start it if they are not kept under full surveillance. This can mean a risk of serious personal injury. Disconnect the battery when the product is not under close supervision.
- Ensure that no people or animals come closer than 15 meters (50 ft.) while you work. When several operators are working in the same area the safety distance should be at least 15 meters. Otherwise there is a risk of serious personal injury. Stop the product immediately if anyone approaches. Never swing the product around without first checking behind you to make sure that no one is within the safety zone.
- Make sure that you can move and stand safely. Check the area around you for possible obstacles (roots, rocks, branches, ditches, etcetera) in case you have to move suddenly. Take great care when you work on sloping ground.
- Keep a good balance and a firm foothold at all times. Do not overreach.
- Listen out for warning signals or shouts when you wear hearing protection. Always remove your hearing protection as soon as the product stops.
- Show consideration to persons in your surroundings by avoiding using the product at unsuitable times, such as late in the evening or early in the morning. Follow local regulations and ordinances.
- Use the product with the lowest possible airflow. It is seldom necessary to use full airflow, and many work procedures can be done at half airflow. A lower airflow means less noise and less dust, and it is also easier to keep control over the rubbish collected together/moved.
- Use a rake or a brush to release rubbish stuck to the ground.
- Hold the opening of the blower as close to the ground as possible.

- Observe your surroundings. Direct the product away from persons, animals, play areas, cars etc..
- Minimize the blowing time by lightly wetting dusty areas or using spray equipment.
- Be aware of the wind direction. Work with the wind to make your work easier.
- Stop the product and remove the battery if the product starts to vibrate abnormally.
- Using the blower to move large piles is time consuming and creates unnecessary noise.
- Clean up afterwards. Make sure that you have not blown rubbish into someone's garden.
- Do not run with the product.
- The powerful currents of air can move objects at such a speed that they can bounce back and cause serious eye injuries.

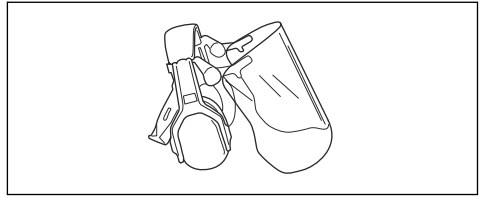


- Do not direct the airflow towards people or animals.
- Stop the motor before you assemble or dismantle accessories or other parts.
- Keep all parts of your body away from hot surfaces.
- Never put the product down when it is activated unless you have it in clear sight.
- The blower must not be used while on a ladder or scaffolding.



- Do not use the product unless you are able to call for help in case of an accident.

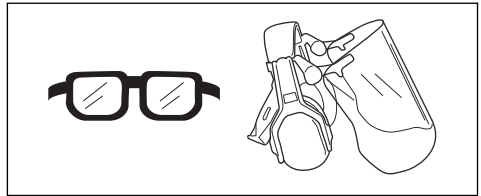
- Watch out for thrown objects. Stones, rubbish, etc., can be thrown up into the eyes causing blindness or serious injury.
- Use a residual-current device (RCI) for increased security. A residual-current device is fitted to protect operators in case an electrical fault should occur.
- This product is renowned for its low vibration load. Overexposure to vibration can lead to circulatory damage or nerve damage in people who have impaired circulation. Contact your doctor if you experience symptoms of overexposure to vibration. Such symptoms include numbness, loss of feeling, tingling, pricking, pain, loss of strength, changes in skin color or condition. These symptoms normally appear in the fingers, hands or wrists.
- Only use the product for the purpose it was intended for.
- It is not possible to cover every conceivable situation you can face. Always exercise care and use your common sense. Avoid all situations which you consider to be beyond your capability. If you still feel uncertain about operating procedures after reading these instructions, you should consult an expert before continuing.



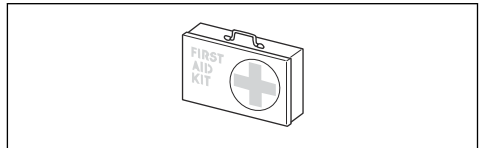
WARNING:

Hearing protectors limit the ability to hear sounds and warning signals.

- Use approved eye protection. If you use a visor, you must also use approved protective goggles. Approved protective goggles must comply with the ANSI Z87.1 standard in the USA or EN 166 in EU countries.



- Use clothing made of a strong fabric. Always use heavy, long pants and long sleeves. Do not use loose clothing that can catch on twigs and branches. Do not wear jewelry, short pants, sandals or go with bare feet. Put your hair up safely above shoulder level.
- Keep first aid equipment close at hand.



- A breathing mask should be used when there is a risk of dust.

Safety devices on the product



WARNING: Read the warning instructions that follow before you use the product.

- In this section the product's safety features, its purpose and how checks and maintenance should be carried out to ensure that it operates correctly. See instructions under the

Personal protective equipment



WARNING: Read the warning instructions that follow before you use the product.

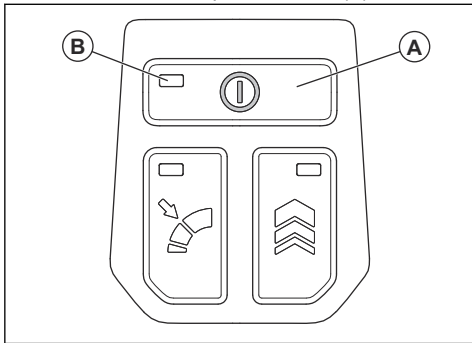
- Always use approved personal protective equipment when you use the product. Personal protective equipment cannot fully prevent injury but it decreases the degree of injury if an accident does occur. Let your dealer help you select the right equipment.
- Long term exposure to noise can result in damaged hearing. In general, battery powered products are relatively quiet but damage can result from a combination of noise level and long usage. Husqvarna recommends that operators use hearing protectors when using products for a longer coherent time of a day. Continual and regular users should have their hearing checked regularly.

heading *Introduction on page 2* to find where these parts are located on your product.

- The life span of the product can be reduced and the risk of accidents can increase if product maintenance is not carried out correctly and if service and/or repairs are not carried out professionally. If you need further information please contact your nearest servicing dealer.
- Never use a product with damaged safety components. The product's safety equipment must be inspected and maintained as described in this section. If your product fails any of these checks, contact your service agent to get it repaired.
- All servicing and repair work on the product requires special training. This is especially true of the product's safety equipment. If your product fails any of the checks described below you must contact your service agent. When you buy any of our products we guarantee the availability of professional repairs and service. If the retailer who sells your product is not a servicing dealer, ask for the address of your nearest service agent.

To do a check of the keypad

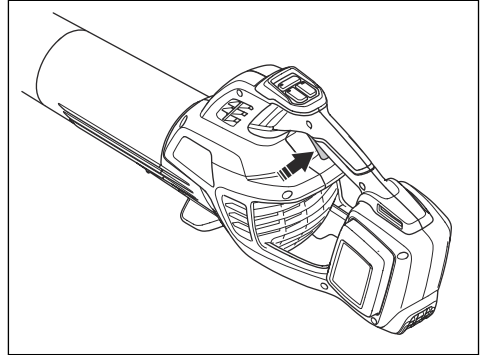
- Push and hold the power button (A).



- a) The product is on when the LED (B) is on.
- b) The product is off when the LED (B) is off.

To do a check of the power trigger

- Push and release the power trigger to make sure that it moves freely.



Battery safety



WARNING: Read the warning instructions that follow before you use the product.

- Only use an approved Husqvarna rechargeable battery. Refer to *Technical data on page 19*. The battery is software encrypted.
- Use the Husqvarna battery that is rechargeable as a power supply for the related Husqvarna products only. To prevent injury, do not use the battery as a power supply for other devices.
- Risk of electrical shock. Do not connect the battery terminals to keys, coins, screws or other metal. This can cause a short circuit of the battery.
- Do not use non-rechargeable batteries.
- Do not put objects into the air slots of the battery.
- Keep the battery away from sunlight, heat or open flame. The battery can cause burns and/or chemical burns.
- Keep the battery away from rain and wet conditions.
- Keep the battery away from microwaves and high pressure.
- Do not try to disassemble or break the battery.
- If the battery leaks, do not let the liquid touch your body or eyes. If you have touched the liquid, clean the area with a large quantity of

water and soap, and get medical aid. If you get liquid in your eyes, do not rub but flush with water for a minimum of 15 minutes and get medical aid.

- Use the battery in temperatures between -10 °C (14 °F) and 40 °C (114 °F).
- Do not clean the battery or the battery charger with water. Refer to *To clean the product, the battery and the battery charger on page 17.*
- Do not use a battery that is damaged or does not operate correctly.
- Keep batteries in storage away from metal objects such as nails, screws or jewelry.
- Keep the battery away from children.

Battery charger safety



WARNING: Read the warning instructions that follow before you use the product.

- Risk of electrical shock or short circuit if the safety instructions are not obeyed.
- Use an approved grounded mains socket that is not damaged.
- Only use Husqvarna branded chargers.
- Do not try to disassemble the battery charger.
- Do not lift the battery charger by the power cord. To disconnect the battery charger from a mains socket, pull out the plug. Do not pull the power cord.
- Keep all cables and extension leads away from water, oil and sharp edges. Make sure that the cable is not caught between doors, fences or similar.
- Do not use the battery charger near flammable materials or materials that can cause corrosion. Make sure that the battery charger is not covered. Pull out the plug to the battery charger if there is smoke or fire.
- Only charge the battery indoors in a location with good airflow and away from sunlight. Do not charge the battery outdoors. Do not charge the battery in wet conditions.
- Only use the battery charger where the temperature is between 5 °C (41 °F) and 40 °C (104 °F). Use the charger in an environment which has a good airflow, dry and free from dust.
- Do not put objects into the cooling slots of the battery charger.

- Do not connect the battery charger terminals to metal objects as this can short circuit the battery charger.
- Use approved wall sockets that are not damaged.
- Regularly examine that the power cord is not damaged. Immediately disconnect the battery charger if the power cord is damaged.
- If the power cord is damaged replace the power cord.
- Keep the battery charger away from children.
- Do not use a battery charger that is damaged or does not operate correctly.
- Do not use the battery charger when there is a risk of lightning.
- Do not operate the battery charger with wet hands.
- This appliance can be used by children aged from 8 years and above and persons with reduced physical, sensory or mental capabilities or lack of experience and knowledge if they have been given supervision or instruction concerning use of the appliance in a safe way and understand the hazards involved. Children shall not play with the appliance. Cleaning and user maintenance shall not be made by children without supervision.

Safety instructions for maintenance



WARNING: Read the warning instructions that follow before you do maintenance on the product.

- Remove the battery before you do maintenance, other checks or assemble the product.
- The operator must only do the maintenance and servicing shown in this operator's manual. Speak to your servicing dealer for maintenance and servicing of a larger extension.
- Keep all nuts, bolts and screws tight to be sure the product is in safe working condition.
- Replace worn or damaged parts.
- If you do not do maintenance, it decreases the life cycle of the product and increases the risk of accidents.
- Special training is necessary for all servicing and repair work, especially for the safety

devices on the product. If not all checks in this operator's manual are approved after maintenance, speak to your servicing dealer. We guarantee that there are professional repairs and servicing available for your product.

- Only use original spare parts.

SAVE THESE INSTRUCTIONS

Assembly

Introduction

This section describes how to assemble and adjust the product.

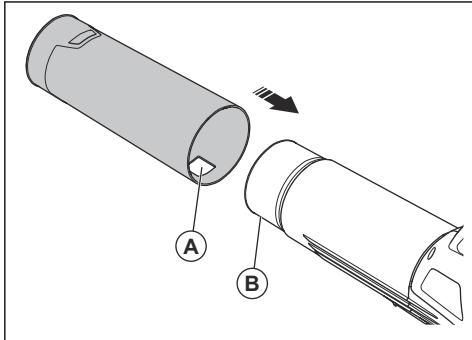


WARNING: Before you assemble the product, read the safety chapter and the assembly instructions.

To assemble the blower tubes

Note: Apply water-based lubricant on the end of the tubes to make assembly easier.

- Attach the lower tube to the upper tube until the tab (B) goes into the hole (A). Make sure that the lower tube and the upper tube are locked together.

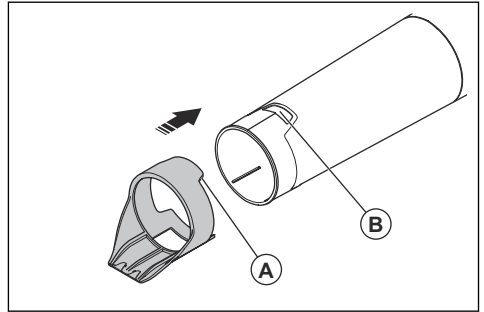


- For higher air speed, attach the high speed nozzle to the lower tube.

To attach the scraper tool

The scraper tool can be used to loosen leaves and other unwanted material for easier cleaning.

- Attach the scraper tool to the lower tube until the tab (A) goes into the hole (B). Make sure that the scraper tool and the tube are locked together.

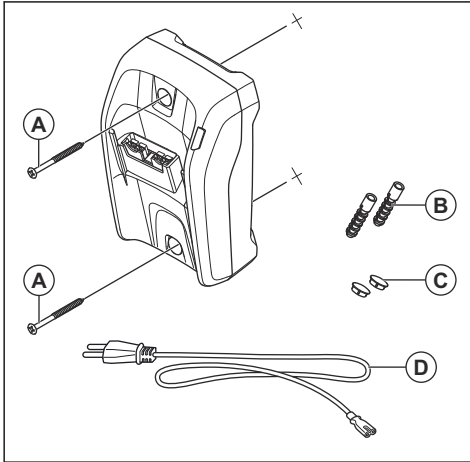


To install the battery charger on the wall



CAUTION: Do not use an electric screwdriver to install the battery charger to the wall. An electric screwdriver can cause damage to the battery charger.

1. Install the battery charger on the wall with the 2 screws (A). Use wall plugs (B) if it is necessary.



2. Install the 2 screw hole plugs (C).
3. Connect the power cord (D) to the battery charger and a mains socket.

Operation

Introduction



WARNING: Read and understand the safety chapter before you use the product.

To do a function check before you use the product

1. Do a check of the air inlet for dirt and cracks. Use a brush and clean off grass and leaves from the product.
2. Make sure that the product works correctly.
3. Do a check of all nuts and screws and make sure that they are tight.

To connect the battery charger



WARNING: Only use the battery charger in ambient temperatures between 41°F (5°C) and 104°F (40°C).

1. Connect the battery charger to the voltage and frequency that is specified on the rating plate.
2. Put the plug in a grounded power outlet. The LED on the battery charger flashes red 1 time and green 1 time.

To charge the battery



CAUTION: Make sure that the battery, the battery charger and the terminals on the battery are clean and dry. Do not put the battery in the battery charger if it is dirty or wet.

1. Connect the battery charger to a power outlet. The charging LED flashes red 1 time and green 1 time.



CAUTION: Only connect the battery charger to a power outlet with the voltage and frequency specified on the rating plate.

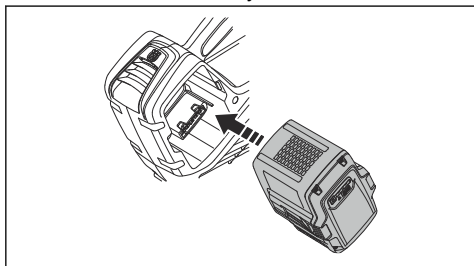
2. Connect the battery to the battery charger. The charging LED comes on.
3. Remove the battery from the battery charger when it is fully charged. Push the battery indicator button for battery status. When all the LED indicators come on, the battery is fully charged.
4. Pull the power plug to disconnect the battery charger from the power outlet. Do not pull the power cord.

To connect the battery to the product

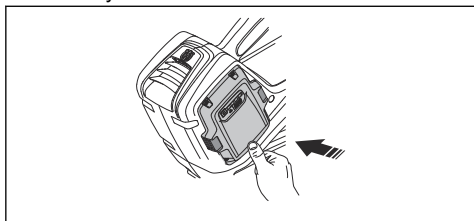


WARNING: Only use Husqvarna original batteries in the product.

1. Make sure that the battery is fully charged.
2. Slide the battery into the battery holder of the product. The battery must slide easily, if not, it is not installed correctly.

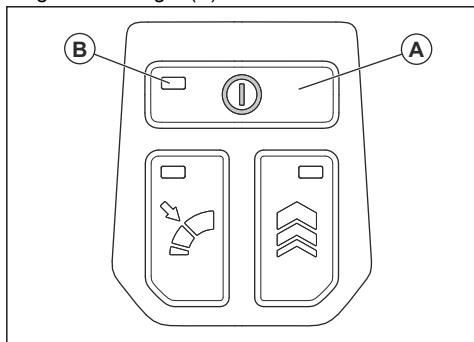


3. Press the lower part of the battery and push it in as far as it will go into the battery compartment. The battery will lock into position when you hear a click.
4. Make sure that the latches snap in place correctly.



To start the product

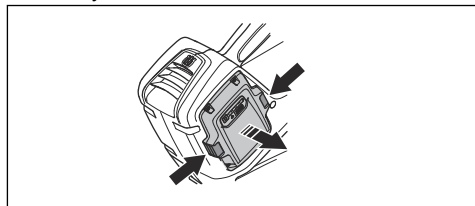
1. Push and hold the power button (A) until the green LED light (B) comes on.



2. Use the power trigger to control the speed.

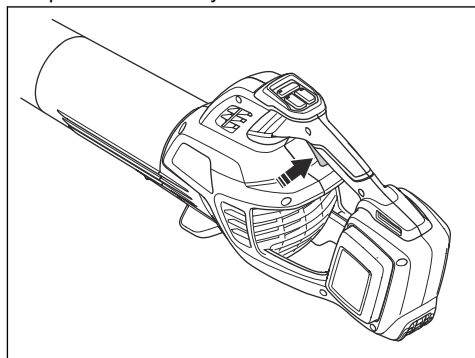
To stop the product

1. Release the power trigger.
2. Push and hold the power button until the green LED light comes off.
3. Remove the battery from the product. Push the two release buttons and pull out the battery.

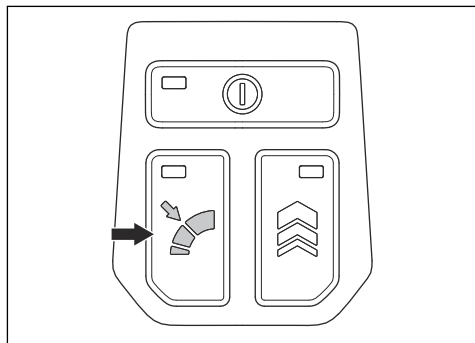


To set the optimal airflow for your work

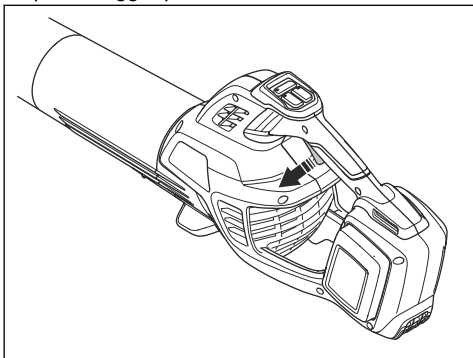
1. Push the power trigger and hold it at the optimal airflow for your work.



2. Push the cruise control button to set the selected airflow. The LED comes on.

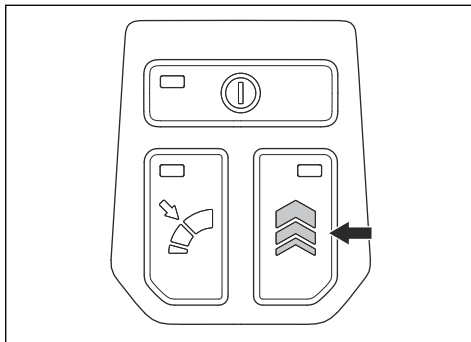


- Continue to operate the product without the power trigger pushed.



- Push the cruise control button again to stop the cruise control function.

- Push the power boost button to get the maximum airflow. The LED comes on.



- Release the power boost button to use the product with the initial air flow.

To temporarily increase the airflow

- Start the product. Refer to *To start the product on page 15*.

Maintenance

Introduction



WARNING: Before you do any maintenance work you must read and understand the safety chapter.

Maintenance schedule



WARNING: Remove the battery before you do maintenance.

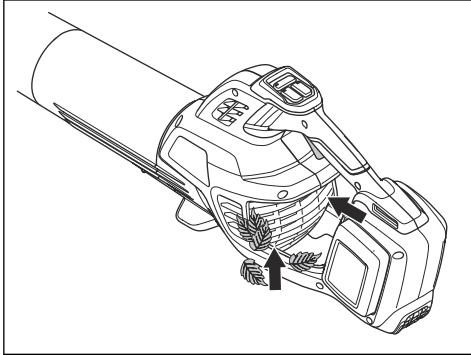
The following is a list of the maintenance steps that you must do on the product.

Maintenance	Daily	Weekly	Monthly
Clean the outside of the machine with a clean and dry cloth. Never use water.	X		
Keep handles dry, clean and free from oil and grease.	X		
Make sure that the power button works correctly and is not damaged.	X		
Make sure the power trigger is functioning properly with regard to safety.	X		
Check that nuts and screws are tight.	X		
Check that the battery is intact.	X		
Check the battery's charge.	X		
Check that the release buttons on the battery works and locks the battery into the machine.	X		
Check that the battery charger is intact and functional.	X		

Maintenance	Daily	Weekly	Monthly
Check that all connections are intact and free from dirt.		X	
Check the connections between the battery and the machine and also check the connection between battery and the battery charger.			X

To do a check of the air intake

1. Make sure that the air intake is not blocked.



2. Stop the product and remove leaves or unwanted material if it is necessary.



CAUTION: A blocked air intake decreases the blowing capacity of the product and increases the work temperature of the motor. If the

motor becomes too hot, it can result in motor failure.

To examine the battery and the battery charger

1. Examine the battery for damages, for example cracks.
2. Examine the battery charger for damages, for example cracks.
3. Make sure that the connection cord of the battery charger is not damaged and that there are no cracks in it.

To clean the product, the battery and the battery charger

1. Clean the product with a dry cloth after use.
2. Clean the battery and battery charger with a dry cloth. Keep the battery guide tracks clean.
3. Make sure that the terminals on the battery and the battery charger are clean before the battery is put in the battery charger or the product.

Troubleshooting

Keypad

Keypad	Possible faults	Possible action
Green LED flashing	Low battery power.	Charge the battery.

Battery

Condition	Possible faults	Possible procedure
The battery warning LED flashes.	Temperature deviation, the battery is too cold or too hot to use.	Let the battery cool down or move it indoors to warm it up. When the battery has the correct temperature, it can be used again. Use the battery in ambient temperatures between 14°F (-10°C) and 104°F (40°C).
	The battery is empty.	Charge the battery.
The battery warning LED comes on.	Permanent battery error.	Speak to your dealer.

Battery charger

Condition	Possible faults	Possible procedure
The charging LED is red.	Permanent battery charger error.	Speak to your dealer.
The charging LED flashes green.	Temperature deviation, the battery is too cold or too hot to use or charge.	Let the battery cool down or warm it up. When the battery has the correct temperature, it can be used or charged again. Use the battery charger in ambient temperatures between 5 °C (41 °F) and 40 °C (104 °F).
The charging LED flashes red.	Faulty battery	Speak to your dealer

Transportation, storage and disposal

Transportation and storage

- Obey approved Li-ion Dangerous Goods Legislation requirements.
- Obey the special requirement on package and labels for commercial transportation, including by third parties and forwarding agents.
- Speak to a person with special training in dangerous material before you send the product. Obey all applicable national regulations.
- Use tape on open contacts when you put the battery in a package. Put the battery in the package tightly to prevent movement.
- Remove the battery for storage or transportation.
- Put the battery and the battery charger in a space that is dry and free from moisture and frost.
- Do not keep the battery in an area where static electricity can occur. Do not keep the battery in a metal box.
- Put the battery in storage where the temperature is between 5°C/41°F and 25°C/77°F and away from open sunlight.
- Put the battery charger in storage where the temperature is between 5 °C/41 °F and 45°C/113°F and away from open sunlight.
- Use the battery charger only when the surrounding temperature is between 5°C/41°F and 40°C/104°F.

- Charge the battery 30% to 50% before you put it in storage for long periods.
- Put the battery charger in storage in a space that is closed and dry.
- Keep the battery away from the battery charger during storage. Do not let children and other not approved persons to touch the equipment. Keep the equipment in a space that you can lock.
- Clean the product and do a full servicing before you put the product in storage for a long time.
- Attach the product safely during transportation.

collection system for electrical and electronic equipment. This contributes to proper end of life waste management. Contact local authorities, domestic waste services, your dealer or retailer for information. Incorrect disposal may have potential negative effects on the environment and human health, due to the potential presence of hazardous substances.



Note: The symbol shows on the product or package of the product.

Disposal

The symbol means that the product is not domestic waste. Recycle it through your local

Technical data

Technical data

	350iB
Motor	
Motor type	BLDC (brushless) 36V
Weight	
Weight without battery, kg / lb	2.8 / 6.2
Impeller fan performance	
Max. air velocity, m/s / mph (with nozzle)	89.4 / 200
Max. air volume, m ³ /min / cfm	22.65 / 800
Blow force, N	23.5
Temperature limits	
Ambient temperature for operation, °F/°C	14–104/-10–40
Ambient temperature for storage, °F/°C	41–77/5–25

Approved batteries for the product

Battery	40-B140	BLi22	BLi30	BLi200	BLi300
Type	Lithium-ion	Lithium-ion	Lithium-ion	Lithium-ion	Lithium-ion

Battery	40-B140	BLi22	BLi30	BLi200	BLi300
Battery capacity, Ah	4.0	4.2	7.7	5.0	9.0
Nominal voltage, V	36	36	36	36	36
Weight, kg/lb	1.2/2.7	1.3/2.9	1.9/4.2	1.3/2.9	1.9/4.2
Battery charger type	40-C80, QC250	40-C80, QC250	QC250	QC500	QC500

Approved battery chargers

Battery charger	40-C80	QC250	QC500
Input voltage, V	100-240	100-240	100-240
Frequency, Hz	50-60	50-60	50-60
Power, W	80	250	500

Approved batteries for the product

Battery	40-B140	BLi22	BLi30
Type	Lithium-ion	Lithium-ion	Lithium-ion
Battery capacity, Ah	4.0	4.2	7.7
Nominal voltage, V	36	36	36
Weight, kg/lb	1.2/2.7	1.3/2.9	1.9/4.2
Battery charger type	40-C80, QC250	40-C80, QC250	QC250

Approved battery chargers

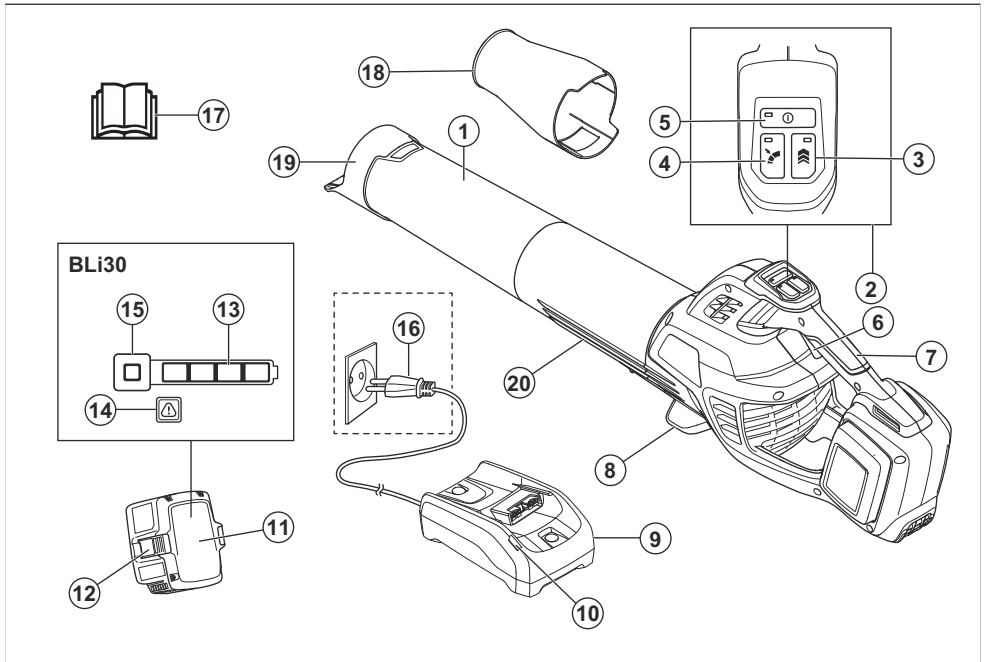
Battery charger	QC250	40-C80
Input voltage, V	100-240	100-240
Frequency, Hz	50-60	50-60
Power, W	250	80

Sommaire

Introduction.....	21	Entretien.....	38
Sécurité.....	25	Dépannage.....	39
Montage.....	34	Transport, entreposage et mise au rebut.....	40
Utilisation.....	35	Caractéristiques techniques.....	41

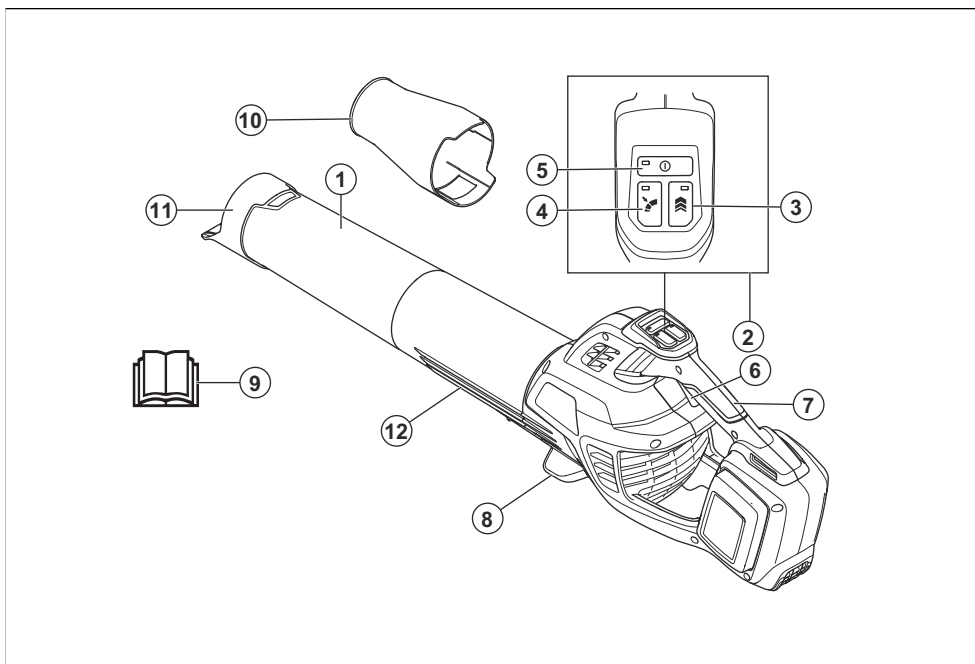
Introduction

Aperçu du produit



1. Tube inférieur
2. Clavier
3. Bouton Power Boost
4. Régulateur de vitesse : réglage du flux d'air optimal pour votre travail
5. Bouton d'alimentation
6. Gâchette de puissance
7. Poignée
8. Supports
9. Chargeur de batterie, inclus dans le kit uniquement
10. Témoin de puissance et d'avertissement
11. Batterie, incluse dans le kit uniquement
12. Bouton de libération de la batterie
13. Indicateur d'état de la batterie
14. Témoin d'avertissement (LED d'erreur)
15. Indicateur de batterie
16. Fiche d'alimentation
17. Manuel d'utilisation
18. Buse haute vitesse
19. Racloir
20. Tube supérieur

Aperçu du produit



1. Tube inférieur
2. Clavier
3. Bouton Power Boost
4. Régulateur de vitesse : réglage du flux d'air optimal pour votre travail
5. Bouton d'alimentation
6. Gâchette de puissance
7. Poignée
8. Supports
9. Manuel d'utilisation
10. Buse haute vitesse
11. Racloir
12. Tube supérieur

Description du produit

Husqvarna 350iB est un modèle de souffleur équipé d'un moteur électrique.

Nous travaillons continuellement au développement de nos produits et nous réservons le droit d'en modifier, entre autres, la conception et l'aspect sans préavis.

Utilisation prévue

Ce produit est conçu pour souffler les feuilles et autres débris présents sur les pelouses, allées, routes asphaltées et autres.

Symboles concernant le produit



AVERTISSEMENT ! Risque de blessures graves, voire mortelles, pour l'opérateur ou d'autres personnes présentes. soyez prudent et utilisez le produit correctement.



Lisez attentivement et assimilez le manuel d'utilisation avant d'utiliser ce produit.



Utilisez toujours des protections pour les yeux homologuées pendant l'utilisation du produit.



Utilisez toujours des protège-oreilles homologués pendant l'utilisation du produit.



Utilisez des bottes de protection et des gants homologués. Portez des manches longues et un pantalon.



Attachez vos cheveux.



Ne pas laisser, ranger ou utiliser sous la pluie ou dans un environnement humide.



Ne portez pas de bijoux lorsque vous utilisez le produit.



Courant continu.



Le produit ou son emballage ne font pas partie des ordures ménagères. Déposez-le dans une station de recyclage pour équipements électriques et électroniques.



L'opérateur du souffleur doit veiller à ce qu'aucune personne ou aucun animal ne se trouve à moins de 15 mètres. Lorsque plusieurs opérateurs partagent le même lieu de travail, la distance de sécurité doit être de 15 mètres au minimum. Le souffleur peut projeter violemment des objets pouvant ricocher. Ceci peut provoquer de graves blessures aux yeux si l'équipement de protection personnelle recommandé n'est pas utilisé.



yyyy
wwxxxxx

La plaque signalétique indique le numéro de série. **yyyy** désigne l'année de production et **ww** désigne la semaine de production.

Symboles sur la batterie



Déposez ce produit dans une station de recyclage pour équipements électriques et électroniques.

Symboles concernant le produit



AVERTISSEMENT ! Risque de blessures graves, voire mortelles, pour l'opérateur ou d'autres personnes présentes. soyez prudent et utilisez le produit correctement.



Lisez attentivement et assimilez le manuel d'utilisation avant d'utiliser ce produit.



Utilisez toujours des protège-oreilles homologués pendant l'utilisation du produit.



Utilisez toujours des protections pour les yeux homologuées pendant l'utilisation du produit.



Utilisez des bottes de protection et des gants homologués. Portez des manches longues et un pantalon.



Attachez vos cheveux.



Ne pas laisser, ranger ou utiliser sous la pluie ou dans un environnement humide.



Ne portez pas de bijoux lorsque vous utilisez le produit.



L'opérateur du souffleur doit veiller à ce qu'aucune personne ou aucun animal ne se trouve à moins de 15 mètres. Lorsque plusieurs opérateurs partagent le même lieu de travail, la distance de sécurité doit être de 15 mètres au minimum. Le souffleur peut projeter violemment des objets pouvant ricocher. Ceci peut provoquer de graves blessures aux yeux si l'équipement de protection personnelle recommandé n'est pas utilisé.



Le produit ou son emballage ne font pas partie des ordures ménagères. Déposez-le dans un site de recyclage approprié pour équipements électriques et électroniques.



Utilisez et stockez le chargeur de batterie en intérieur uniquement.



Courant continu.

yywwxxxxx

La plaque signalétique ou l'impression au laser indiquent le numéro de série. **yy** désigne l'année de production et **ww** la semaine de production.

Remarque: Les autres symboles/autocollants présents sur le produit concernent des exigences de certification spécifiques à certaines zones commerciales.

Symboles figurant sur le chargeur de batterie



Soyez prudent et utilisez le produit correctement. Ce produit peut causer des blessures graves, voire mortelles, à l'opérateur ou à d'autres personnes.



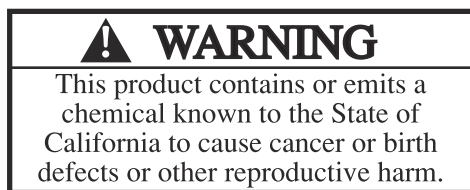
Lisez attentivement le manuel d'utilisation et assurez-vous de bien comprendre les instructions avant utilisation.



Le produit est conforme aux directives CE en vigueur.

Remarque: les autres symboles/autocollants présents sur le chargeur de batterie concernent des exigences de certification spécifiques à certaines zones commerciales.

Loi Proposition 65 (Californie)



Assistance client

Pour joindre l'assistance client, composez le : 1-800-487-5951 ou visitez le site www.usa.husqvarna.com.

Fabricant

Husqvarna Professional Products, Inc.
9335 Harris Corners Pkwy, Charlotte, NC 28269, USA

Endommagement du produit

Nous ne sommes pas responsables des dommages subis par le produit si :

- le produit n'est pas correctement réparé ;
- le produit est réparé avec des pièces qui ne proviennent pas du fabricant ou qui ne sont pas homologuées par le fabricant ;
- le produit est équipé d'un accessoire qui ne provient pas du fabricant ou qui n'est pas homologué par le fabricant ;
- le produit n'est pas réparé par un centre d'entretien agréé ou par une autorité homologuée.

Sécurité

Définitions de sécurité

Des avertissements, des recommandations et des remarques sont utilisés pour souligner des parties spécialement importantes du manuel.



AVERTISSEMENT:

Symbole utilisé en cas de risque de blessures ou de mort pour l'opérateur ou les personnes à proximité si les instructions du manuel ne sont pas respectées.



REMARQUE:

Symbole utilisé en cas de risque de dommages pour le produit, d'autres matériaux ou les environs si les instructions du manuel ne sont pas respectées.

Remarque: Symbole utilisé pour donner des informations supplémentaires pour une situation donnée.

CONSIGNES DE SÉCURITÉ IMPORTANTES



AVERTISSEMENT: Lire toutes les consignes et instructions de sécurité. Le non-respect des consignes et mises en garde peut être à l'origine d'un choc électrique, d'un incendie et/ou de blessures graves.

Lisez toutes les instructions



AVERTISSEMENT: Lors de l'utilisation d'appareils de jardinage, des précautions élémentaires de sécurité doivent toujours être observées afin de réduire les risques d'incendie, de décharge électrique et

de blessures corporelles, y compris ce qui suit :

Avertissements généraux relatifs à la sécurité de la machine



AVERTISSEMENT: Prenez connaissance de l'ensemble des avertissements, consignes, illustrations et spécifications relatifs à la sécurité fournis avec cette machine. *Le non-respect des consignes énumérées ci-dessous peut être à l'origine d'un choc électrique, d'un incendie et/ou de blessures graves.*

Remarque: Conservez tous les avertissements et toutes les instructions pour consultation ultérieure. *Le terme « machine » utilisé dans les avertissements se rapporte à votre machine sur secteur (filaire) ou à votre machine alimentée par batterie (sans fil).*

Sécurité dans la zone de travail

- **Maintenez une zone de travail propre et bien éclairée.** *Les espaces encombrés ou sombres exposent à des accidents.*
- **N'utilisez pas la machine dans un environnement explosif, dans lequel se trouvent des liquides inflammables, des gaz ou des poussières.** *Les machines créent des étincelles qui peuvent provoquer l'inflammation de la poussière ou des vapeurs.*
- **Maintenez les enfants et autres personnes à distance pendant le fonctionnement de la machine.** *Les distractions peuvent être la cause d'une perte de contrôle de la machine.*

Sécurité électrique

- **La fiche de la machine doit être adaptée à la prise de courant. N'apportez jamais de modifications à la fiche. N'utilisez pas de fiches adaptatrices avec des machines mises à la terre.** *Des fiches non modifiées et des prises compatibles réduiront le risque d'électrocution.*
- **Évitez tout contact physique avec les surfaces mises à la terre telles que les tuyaux, les**

radiateurs, les cuisinières et les réfrigérateurs.

Le risque d'électrocution est plus important si le corps est relié à la terre.

- **N'exposez pas les machines à la pluie ou à l'humidité.** *La pénétration d'eau à l'intérieur de la machine augmente le risque de choc électrique.*
- **Ne malmenez pas le cordon. N'utilisez jamais le cordon d'alimentation pour porter, tirer ou débrancher la machine. Maintenez le cordon d'alimentation à l'écart de la chaleur, de l'huile, de bords tranchants ou de pièces en mouvement.** *Les cordons endommagés ou emmêlés augmentent le risque d'électrocution.*
- **Lors du fonctionnement de la machine en extérieur, utilisez une rallonge appropriée pour une utilisation extérieure.** *L'utilisation d'une rallonge prévue pour un usage en extérieur réduit le risque d'électrocution.*
- **Si la machine doit être mise sous tension dans un endroit humide, utilisez une alimentation protégée par un disjoncteur de fuite à la terre (DDFT).** *L'utilisation d'un DDFT réduit le risque de choc électrique.*

Sécurité du personnel

- **Soyez attentif, restez concentré sur le travail en cours et utilisez la machine de manière raisonnable. N'utilisez pas la machine si vous êtes fatigué ou sous l'influence de drogues, d'alcool ou de médicaments.** *Il suffit d'un moment d'inattention pendant le fonctionnement de la machine pour se blesser gravement.*
- **Utilisez un équipement de protection individuel. Travaillez toujours avec des protections pour les yeux.** *Les équipements de protection tels que les masques anti-poussière, les chaussures de sécurité antidérapantes, le casque ou les protège-oreilles utilisés dans les conditions qui conviennent réduisent les blessures corporelles.*
- **Évitez tout démarrage intempestif. Assurez-vous que l'interrupteur est en position d'arrêt avant de brancher l'alimentation électrique et/ou le bloc de batteries, de saisir la machine ou de la transporter.** *Il est dangereux de porter la machine en conservant le doigt sur l'interrupteur ou de brancher la machine à l'alimentation électrique alors que l'interrupteur est en position marche.*

- **Retirez tout outil de réglage ou clé avant d'allumer la machine.** *Un outil ou une clé relié à une pièce rotative de la machine peut causer des blessures.*
- **Ne vous penchez pas trop loin. Restez toujours en équilibre et sur vos appuis.** *Cela permet de mieux contrôler la machine dans des situations inattendues.*
- **Habillez-vous correctement. Ne portez ni vêtements amples ni bijoux. Maintenez les cheveux, les vêtements et les gants de jardin hors de portée des pièces de l'outil en mouvement.** *Les vêtements amples, les bijoux et les cheveux longs peuvent être happés dans les pièces mobiles.*
- **Si des dispositifs sont fournis pour raccorder des systèmes de collecte de la poussière et d'aspirateur industriel, vérifiez qu'ils sont correctement branchés et utilisés.** *L'utilisation de systèmes d'aspirateurs peut réduire les risques associés à la poussière.*
- **La connaissance des outils, acquise par l'usage fréquent de ces derniers, ne doit pas vous dispenser d'être prudent et d'appliquer les principes de sécurité.** *Une manipulation inattentive peut entraîner de graves blessures en une fraction de seconde.*
- Les émissions de vibrations durant l'utilisation de la machine peuvent différer de la valeur totale déclarée en fonction de la manière dont la machine est utilisée. En vue de se protéger, les opérateurs devraient établir des mesures de sécurité basées sur une estimation de leur exposition dans les conditions d'utilisation réelles (en tenant compte de toutes les phases du cycle opératoire, par exemple, lorsque la machine est éteinte et lorsqu'elle fonctionne en mode ralenti).

Utilisation et entretien de la machine

- **Ne forcez pas en utilisant la machine. Utilisez la machine adaptée à votre travail.** *La machine appropriée permettra de mieux réaliser la tâche, de manière plus sûre, au régime prévu.*
- **N'utilisez pas la machine si l'interrupteur ne permet pas la mise sous tension et l'arrêt.** *Toute machine qui ne peut pas être contrôlée par son interrupteur est dangereuse et doit être réparée.*
- **Débranchez la fiche de la prise et/ou retirez la batterie, si celle-ci est amovible, avant de procéder aux réglages, de changer**

- d'accessoires ou de ranger la machine. *De telles mesures préventives réduisent le risque de démarrage accidentel de la machine.*
- Lorsque'elle n'est pas utilisée, rangez la machine hors de portée des enfants. N'autorisez pas des personnes qui n'ont pas lu ces instructions et ne sont pas familières avec l'utilisation de la machine à se servir de celle-ci. *Les machines sont dangereuses entre les mains de personnes inexpérimentées.*
 - Entretenez les machines et les accessoires. Vérifiez que les pièces mobiles sont correctement alignées et ne coincent pas, qu'aucune pièce n'est cassée, et contrôlez l'absence de toute autre situation susceptible d'altérer le fonctionnement de la machine. En cas de dommages, faites réparer la machine avant de l'utiliser. *De nombreux accidents résultent d'un mauvais entretien des machines.*
 - Maintenez les machines de coupe aiguisées et propres. *Des machines de coupe correctement entretenues, avec des bords tranchants aiguisés, sont moins susceptibles de se coincer et sont plus faciles à contrôler.*
 - Utilisez la machine, les accessoires et les outils insérables, etc. conformément à ces instructions, en tenant compte des conditions de travail et de la tâche à réaliser. *L'utilisation de la machine pour des applications différentes de celles pour lesquelles elle a été conçue peut être la cause d'une situation dangereuse.*
 - Les poignées et les surfaces de maintien doivent toujours être propres, sèches et sans traces d'huile ni de graisse. *Des poignées et surfaces de préhension glissantes ne permettent pas une utilisation et un contrôle sûrs de la machine en cas de situation imprévue.*

Utilisation et entretien d'un outil à batterie

- Ne rechargez la machine qu'avec le chargeur indiqué par le fabricant. *Un chargeur convenant à un type de bloc de batteries particulier peut entraîner un risque d'incendie s'il est utilisé avec un autre bloc.*
- Utilisez uniquement les batteries prévues à cet effet dans les machines. *L'utilisation d'une autre batterie peut entraîner un risque de blessure et d'incendie.*

- Lorsque la batterie n'est pas utilisée, maintenez-la à distance d'objets métalliques, tels que des trombones, pièces de monnaie, clés, clous, vis, ou autres petits objets en métal risquant de relier une borne à l'autre. *Court-circuiter les bornes de batterie entraîne un risque de brûlures et d'incendie.*
- En cas d'utilisation abusive, du liquide peut s'échapper de la batterie ; évitez tout contact. En cas de contact accidentel, rincez à l'eau. En cas de contact avec les yeux, consultez un médecin. *Le liquide échappé de la batterie peut causer irritations et brûlures.*
- N'utilisez pas une batterie ou un outil endommagé ou altéré. *Les batteries endommagées ou altérées peuvent présenter un comportement imprévisible pouvant provoquer un incendie, une explosion ou un risque de blessure.*
- N'exposez pas une batterie ou un outil au feu ou à des températures trop élevées. *L'exposition au feu ou à des températures supérieures à 130 °C (265 °F) peut provoquer une explosion.*
- Respectez toutes les instructions de charge et ne chargez pas la batterie ou l'outil en dehors de la plage de température spécifiée dans les instructions. *Ne pas charger la batterie correctement ou la charger à des températures comprises en dehors de la plage spécifiée peut endommager la batterie et augmenter le risque d'incendie.*

Entretien

- Confiez la réparation de votre machine à du personnel spécialisé et qualifié qui utilisera uniquement des pièces de rechange d'origine. *Cela garantit le maintien de la sécurité de la machine.*
- N'entretenez jamais des batteries endommagées. *L'entretien des batteries doit être effectué uniquement par le fabricant ou des fournisseurs de services agréés.*

Avertissements de sécurité relatifs au souffleur de feuilles

- N'utilisez pas le souffleur de feuilles par mauvais temps, en particulier lorsqu'il y a un risque de foudre. *Cela permet de réduire le risque d'être frappé par la foudre.*
- Portez toujours des protections pour les yeux et un casque anti-bruit. *Un équipement*

de protection adéquat réduira le risque de blessure.

- Lors de l'utilisation du souffleur de feuilles, portez toujours des chaussures de protection antidérapantes. N'utilisez pas le souffleur de feuilles si vous êtes pieds nus ou si vous portez des sandales. *Vous réduisez ainsi le risque de blessures au niveau des pieds.*
- Ne portez pas de vêtements amples ou d'accessoires tels que des écharpes, des chaînes, des cravates, etc., qui pourraient être aspirés dans les entrées d'air. Si vous avez des cheveux longs, attachez-les ou couvrez-les pour éviter qu'ils ne soient aspirés par les entrées d'air. *Si l'un de ces éléments est aspiré par les entrées d'air, cela peut augmenter le risque de blessure.*
- Maintenez les autres personnes présentes à l'écart pendant l'utilisation du souffleur de feuilles. *Les débris projetés peuvent augmenter le risque de blessures.*
- Ne dirigez jamais la buse du souffleur de feuilles vers des personnes, des animaux ou vers les fenêtres. Soyez particulièrement prudent lorsque vous soufflez des débris à proximité d'éléments fixes, tels que des arbres, des véhicules et des murs, qui peuvent faire rebondir les débris. *Les objets projetés peuvent endommager les biens et augmenter le risque de blessures.*
- N'utilisez pas le souffleur de feuilles pour souffler des objets brûlants ou incandescents, comme des cigarettes, des allumettes ou des cendres chaudes. *Ces sources d'inflammation peuvent augmenter le risque d'incendie.*
- Ne touchez pas le ventilateur lorsque celui-ci est en mouvement. Arrêtez le souffleur de feuilles et attendez que le ventilateur s'arrête avant de retirer toute pièce pouvant donner accès au ventilateur. *Vous réduisez ainsi le risque de blessures dues aux pièces mobiles.*
- Lors du retrait des débris végétaux coincés ou de l'entretien du souffleur de feuilles, assurez-vous que l'interrupteur d'alimentation est en position d'arrêt. *Un démarrage inattendu de la machine lorsque vous dégagez les débris végétaux coincés ou que vous procédez à l'entretien peut entraîner de graves blessures.*

Instructions générales de sécurité



AVERTISSEMENT:

Lisez les instructions qui suivent avant d'utiliser le produit.

- Un produit utilisé de manière imprudente ou inadéquate peut devenir un outil dangereux, pouvant causer des blessures graves voire mortelles à l'utilisateur et aux autres personnes présentes. Lisez attentivement et assimilez bien le contenu de ce manuel d'utilisation.
- Ne modifiez jamais le produit sans l'autorisation du fabricant. N'utilisez jamais un produit qui a été modifié au point de ne plus être conforme au modèle original et utilisez toujours des accessoires d'origine. Des modifications non autorisées et l'emploi d'accessoires non homologués peuvent provoquer des accidents graves, voire mortels, à l'utilisateur ou d'autres personnes. Il est possible que votre garantie ne couvre pas les responsabilités ou dommages associés à l'utilisation d'accessoires ou de pièces de rechange non autorisés.
- Ce produit génère un champ électromagnétique durant son fonctionnement. Ce champ peut dans certaines circonstances perturber le fonctionnement d'implants médicaux actifs ou passifs. Pour réduire le risque de blessures graves ou mortelles, les personnes portant des implants médicaux doivent consulter leur médecin et le fabricant de leur implant avant d'utiliser cet appareil.
- Retirez la batterie du produit avant la charge.

Instructions de sécurité pour le fonctionnement



AVERTISSEMENT:

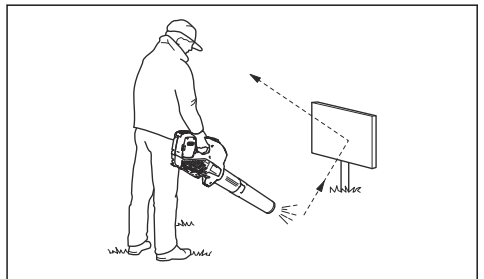
lisez les instructions qui suivent avant d'utiliser le produit.

- En cas de doute concernant la marche à suivre, consultez un expert. Adressez-vous à votre revendeur ou à votre atelier d'entretien.

Évitez les tâches pour lesquelles vous ne vous sentez pas suffisamment qualifié.

- N'utilisez jamais le produit par mauvais temps, par exemple en cas de brouillard, de pluie, de vent violent, de froid intense, etc.
- Ne laissez pas des enfants utiliser le produit ou s'en approcher. Dans la mesure où le produit est facile à démarrer, il est possible que des enfants arrivent à le mettre en route lorsque vous les quittez des yeux. Ceci peut entraîner un risque de graves blessures corporelles. Retirez la batterie lorsque vous n'êtes pas en mesure de surveiller le produit de près.
- Assurez-vous qu'aucune personne ou aucun animal ne se trouve à moins de 15 m (50 pi) de votre zone de travail. Lorsque plusieurs opérateurs travaillent dans une même zone, il convient d'observer une distance de sécurité d'au moins 15 mètres. Dans le cas contraire, il existe un risque de blessures graves. Arrêtez immédiatement le produit si une personne s'approche. Ne tournez jamais sur vous-même avec le produit sans vous assurer d'abord que personne ne se trouve dans la zone de sécurité.
- Assurez-vous de pouvoir vous tenir debout et vous déplacer en toute sécurité. Repérez les éventuels obstacles (racines, pierres, branches, fossés, etc.) en cas de déplacement soudain. Observez la plus grande prudence lorsque vous travaillez sur des terrains en pente.
- Soyez bien en équilibre, les pieds d'aplomb, à tout moment. Ne vous penchez pas trop loin.
- Soyez toujours attentif aux signaux d'avertissement ou aux cris lorsque vous portez des protège-oreilles. Enlevez toujours vos protège-oreilles dès que le produit s'arrête.
- Respectez le voisinage en évitant d'utiliser le produit à des heures indues, par exemple tard le soir ou tôt le matin. Respectez les réglementations et ordonnances en vigueur.
- Utilisez le produit au flux d'air le plus faible. L'utilisation du flux d'air maximal est rarement nécessaire et de nombreux travaux peuvent être effectués à demi-régime. L'utilisation d'un flux d'air plus faible limite les nuisances sonores et la production de poussière. Cela permet également de contrôler plus facilement les déchets à rassembler/déplacer.

- Utilisez un râteau ou un balai pour dégager les déchets enfouis dans le sol.
- Maintenez l'embout du tube de soufflage le plus près possible du sol.
- Restez attentif à votre environnement. Dirigez le produit loin des personnes, des animaux, des aires de jeux, des voitures, etc.
- Réduisez la durée de soufflage en humidifiant légèrement les zones poussiéreuses ou en utilisant un pulvérisateur.
- Tenez compte de la direction du vent. Le travail est plus facile s'il est effectué dans la direction du vent.
- Arrêtez le produit et retirez la batterie si le produit se met à vibrer de façon anormale.
- L'utilisation du souffleur pour déplacer des monticules importants de déchets prend beaucoup de temps tout en étant inutilement bruyante.
- Nettoyez une fois le travail terminé. Assurez-vous que des déchets n'ont pas été accidentellement projetés dans un jardin voisin.
- Ne courez pas avec le produit.
- Le puissant jet d'air peut déplacer des objets à une telle vitesse qu'ils peuvent, en cas de ricochet, causer de graves blessures aux yeux.



- Ne dirigez jamais le flux d'air vers des personnes ou des animaux.
- Arrêtez le moteur avant d'installer ou de retirer les accessoires ou d'autres composants.
- Maintenez toutes les parties de votre corps à distance des surfaces chaudes.
- Ne posez jamais le produit au sol lorsqu'il est en marche, sauf si vous pouvez le surveiller.

- Le souffleur ne doit pas être utilisé sur des échelles ou des échafaudages.



- N'utilisez pas le produit s'il n'est pas possible d'appeler au secours en cas d'accident.
- Attention aux objets projetés. Des cailloux, débris et autres peuvent être projetés dans les yeux et causer des blessures très graves, voire la cécité.
- Renforcez la sécurité par l'utilisation d'un disjoncteur différentiel de fuite à la terre (RCD). Un disjoncteur différentiel de fuite à la terre permet de protéger les opérateurs en cas de défaut électrique.
- Ce produit est reconnu pour ses faibles vibrations. Une exposition excessive aux vibrations peut entraîner des troubles circulatoires ou nerveux chez les personnes sujettes à des troubles cardio-vasculaires. Consultez un médecin en cas de symptômes liés à une exposition excessive aux vibrations. Voici les symptômes possibles : engourdissement, perte de sensibilité, chatouillements, picotements, douleur, faiblesse musculaire, décoloration ou modification épidermique. Ces symptômes affectent généralement les doigts, les mains ou les poignets.
- Utilisez le produit uniquement pour les travaux auxquels il est destiné.
- Il est impossible de prévoir toutes les situations que vous pouvez rencontrer. Soyez toujours prudent et utilisez votre bon sens. Évitez les situations que vous n'êtes pas sûr de maîtriser. Si, après avoir lu ces instructions, vous n'êtes toujours pas sûr de la procédure à suivre, demandez conseil à un expert avant de poursuivre.

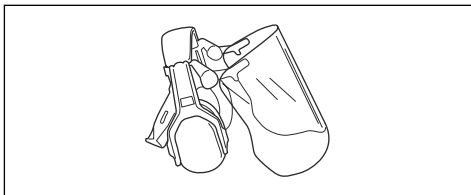
Équipement de protection individuel



AVERTISSEMENT:

Lisez les instructions qui suivent avant d'utiliser le produit.

- Portez toujours un équipement de protection individuel homologué lorsque vous utilisez le produit. L'équipement de protection individuel ne protège pas complètement des blessures, mais il diminue la gravité des blessures en cas d'accident. Faites appel à votre revendeur pour vous aider à sélectionner l'équipement adéquat.
- Une exposition prolongée au bruit risque de causer des lésions auditives. En règle générale, les produits alimentés par batterie sont relativement silencieux, mais peuvent s'avérer dangereux si le bruit s'accompagne d'une utilisation prolongée. Husqvarna recommande aux utilisateurs de porter des protège-oreilles lorsque le temps d'utilisation total est supérieur à une journée. Les utilisateurs réguliers doivent contrôler fréquemment leur audition.

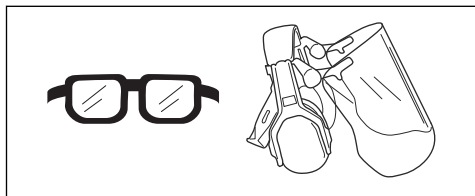


AVERTISSEMENT:

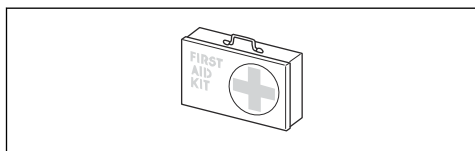
Les protège-oreilles limitent la capacité à entendre les sons et les signaux d'avertissement.

- Utilisez des protections pour les yeux homologuées. L'usage d'une visière doit toujours s'accompagner du port de lunettes de protection homologuées. Les lunettes de protection doivent être conformes aux

normes ANSI Z87.1 (États-Unis) ou EN 166 (pays de l'UE).



- Portez des vêtements fabriqués dans un matériau résistant. Portez toujours des pantalons longs, épais et des manches longues. Ne portez pas de vêtements amples qui risqueraient de se prendre dans les brindilles et les branches. Ne portez pas de bijoux, de shorts, de sandales et ne marchez pas pieds nus. Attachez vos cheveux de façon sécurisée au-dessus de vos épaules.
- Gardez toujours une trousse de premiers soins à portée de main.



- Utilisez une protection respiratoire dans les environnements poussiéreux.

Dispositifs de sécurité sur le produit



AVERTISSEMENT:

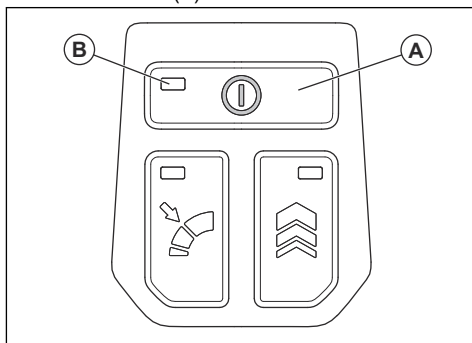
lisez les instructions qui suivent avant d'utiliser le produit.

- Cette section présente les fonctions de sécurité, les instructions d'utilisation, de contrôle et d'entretien du produit afin de garantir son bon fonctionnement. Reportez-vous aux instructions ci-dessous *Introduction à la page 21* pour trouver l'emplacement de ces pièces sur votre produit.
- La durée de vie du produit risque d'être écourtée et le risque d'accidents accru si l'entretien du produit n'est pas effectué correctement et si les mesures d'entretien et/ou de réparation ne sont pas effectuées de manière professionnelle. Pour plus d'informations, contactez l'atelier de réparation du revendeur le plus proche.

- N'utilisez jamais un produit dont les équipements de sécurité sont endommagés. Contrôlez et entretenez les équipements de sécurité du produit conformément aux instructions données dans ce chapitre. Si les contrôles du produit ne donnent pas de résultat positif, contactez votre atelier spécialisé pour le faire réparer.
- L'entretien et la réparation du produit exigent une formation spéciale. Cela concerne particulièrement l'équipement de sécurité du produit. Si les contrôles suivants ne donnent pas un résultat positif, adressez-vous à un atelier spécialisé. L'achat de l'un de nos produits offre à l'acheteur la garantie d'un service et de réparations qualifiés. Si le point de vente n'assure pas ce service, adressez-vous à l'atelier spécialisé le plus proche.

Pour contrôler le clavier

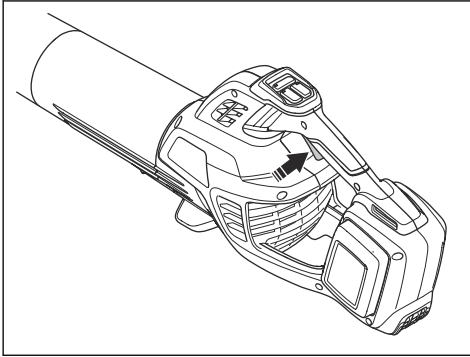
- Appuyez et maintenez le bouton d'alimentation (A) enfoncé.



- a) Le produit est sous tension lorsque la LED (B) est allumée.
- b) Le produit est hors tension lorsque la LED (B) est éteinte.

Pour contrôler la gâchette de puissance

- Appuyez brièvement sur la gâchette de puissance pour vous assurer qu'elle bouge librement.



Consignes de sécurité relatives à l'utilisation de la batterie



AVERTISSEMENT:

lisez les instructions qui suivent avant d'utiliser le produit.

- Utilisez uniquement une batterie rechargeable Husqvarna homologuée. Reportez-vous à la section *Caractéristiques techniques à la page 41*. La batterie est codée par logiciel.
- Utilisez la batterie Husqvarna rechargeable en tant que source d'alimentation électrique pour les produits Husqvarna uniquement. Afin d'éviter toute blessure, n'utilisez pas la batterie comme source d'alimentation pour d'autres produits.
- Risque de choc électrique. Ne branchez pas les bornes de la batterie à des clés, des pièces de monnaie, des vis ou tout autre élément métallique. Cela peut provoquer un court-circuit de la batterie.
- N'utilisez pas de batteries non rechargeables.
- Ne placez pas d'objets dans les fentes d'aération de la batterie.
- Protégez la batterie des rayons directs du soleil, de la chaleur et des flammes nues. La batterie peut provoquer des brûlures et/ou des brûlures chimiques.
- Protégez la batterie de la pluie et de l'humidité.

- Protégez la batterie des micro-ondes et des hautes pressions.
- N'essayez pas de démonter ou de casser la batterie.
- En cas de fuite de la batterie, ne laissez pas le liquide entrer en contact avec votre peau ou vos yeux. Si vous avez touché le liquide, nettoyez la zone avec beaucoup d'eau claire et du savon, puis contactez un médecin. Si vous recevez du liquide dans les yeux, ne frottez pas mais rincez à l'eau pendant au moins 15 minutes et contactez un médecin.
- Utilisez la batterie à une température comprise entre -10 °C (14 °F) et 40 °C (114 °F).
- Ne nettoyez pas la batterie ou le chargeur de batterie avec de l'eau. Reportez-vous à la section *Pour nettoyer le produit, la batterie et le chargeur de batterie à la page 39*.
- N'utilisez pas une batterie endommagée ou qui ne fonctionne pas correctement.
- Conservez les batteries en stock à distance des objets métalliques, tels que les clous, les vis ou les bijoux.
- Tenez la batterie hors de portée des enfants.

Consignes de sécurité relatives au chargeur de batterie



AVERTISSEMENT:

Lisez les instructions qui suivent avant d'utiliser le produit.

- Risque de choc électrique ou de court-circuit si les instructions de sécurité ne sont pas respectées.
- Utilisez une prise d'alimentation secteur mise à la terre agréée qui n'est pas endommagée.
- Utilisez uniquement des chargeurs Husqvarna.
- N'essayez pas de démonter le chargeur de batterie.
- Ne soulevez pas le chargeur de batterie par le cordon d'alimentation. Pour débrancher le chargeur de batterie d'une prise d'alimentation secteur, tirez sur la fiche. Ne tirez pas le cordon d'alimentation.
- Conservez tous les câbles et toutes les rallonges loin de l'eau, de l'huile et des bords tranchants. Veillez à ce que le câble ne soit

pas coincé dans des portes, des clôtures ou tout autre équipement similaire.

- N'utilisez pas le chargeur de batterie à proximité de matériaux inflammables ou de matériaux pouvant provoquer la formation de corrosion. Assurez-vous que le chargeur de batterie n'est pas couvert. En cas de dégagement de fumée ou de début d'incendie, débranchez aussitôt la fiche reliée au chargeur de batterie.
- Rechargez la batterie uniquement en intérieur, dans un endroit bien aéré et à l'abri de la lumière. Ne chargez pas la batterie à l'extérieur. Ne rechargez pas la batterie dans des conditions humides.
- Utilisez le chargeur de batterie à une température comprise entre 5 °C (41 °F) et 40 °C (104 °F) uniquement. Utilisez le chargeur dans un environnement bien ventilé, sec et exempt de poussière.
- Ne placez pas d'objets dans les fentes de refroidissement du chargeur de batterie.
- Ne raccordez pas les bornes du chargeur de batterie à des objets métalliques car cela peut court-circuiter le chargeur de batterie.
- Utilisez des prises murales homologuées et non endommagées.
- Vérifiez régulièrement que le cordon d'alimentation n'est pas endommagé. Débranchez immédiatement le chargeur de batterie si le cordon d'alimentation est endommagé.
- Si le cordon d'alimentation est endommagé, remplacez-le.
- Maintenez le chargeur de batterie hors de portée des enfants.
- N'utilisez pas un chargeur de batterie endommagé ou qui ne fonctionne pas correctement.
- N'utilisez pas le chargeur de batterie en cas de risque de foudre.
- Ne manipulez pas le chargeur de batterie avec les mains mouillées.
- Cet appareil peut être utilisé par des enfants âgés de 8 ans et plus, et des personnes ayant des handicaps physiques, sensoriels ou mentaux ou manquant d'expérience et de connaissances, à condition

qu'ils bénéficient de la surveillance ou des instructions appropriées concernant l'utilisation de l'appareil en toute sécurité et qu'ils aient bien compris les risques encourus. Les enfants ne doivent pas jouer avec l'appareil. Le nettoyage et les opérations d'entretien à effectuer par l'utilisateur ne doivent pas être réalisés par des enfants sans surveillance.

Consignes de sécurité pour l'entretien



AVERTISSEMENT:

Lisez les instructions qui suivent avant d'effectuer l'entretien du produit.

- Retirez la batterie avant tout entretien, contrôle ou assemblage du produit.
- L'utilisateur ne doit effectuer que les travaux de maintenance et d'entretien décrits dans ce manuel d'utilisation. Adressez-vous à votre revendeur pour toute opération de maintenance et d'entretien de plus grande ampleur.
- Veillez à ce que la totalité des écrous, des boulons et des vis soient correctement serrés afin de garantir une utilisation sûre.
- Remplacez les pièces usées ou endommagées.
- Un défaut d'entretien réduit le cycle de vie du produit et augmente le risque d'accidents.
- Une formation spéciale est nécessaire pour tous les travaux d'entretien et de réparation, en particulier pour les dispositifs de sécurité sur le produit. Si tous les contrôles spécifiés dans ce manuel de l'opérateur ne sont pas validés après l'entretien, adressez-vous à votre atelier d'entretien. Nous garantissons la disponibilité d'un service de réparation et d'entretien professionnel pour votre produit.
- Utilisez uniquement les pièces de rechange d'origine.

CONSERVEZ LES PRÉSENTES INSTRUCTIONS

Montage

Introduction

Ce chapitre décrit la procédure à suivre pour monter et régler le produit.

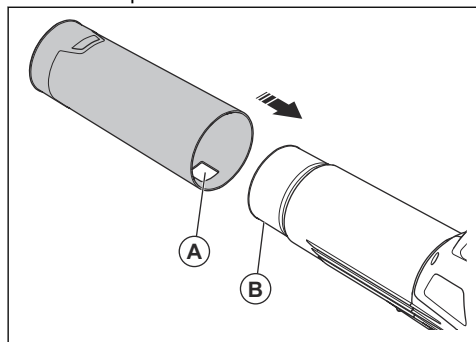


AVERTISSEMENT: Avant de monter le produit, consultez le chapitre sur la sécurité et les instructions de montage.

Pour assembler les tubes du souffleur de feuilles

Remarque: Appliquez un lubrifiant à base d'eau sur l'extrémité des tubes pour faciliter le montage.

- Fixez le tube inférieur sur le tube supérieur jusqu'à ce que la languette (B) entre dans le trou (A). Assurez-vous que le tube inférieur et le tube supérieur sont verrouillés ensemble.

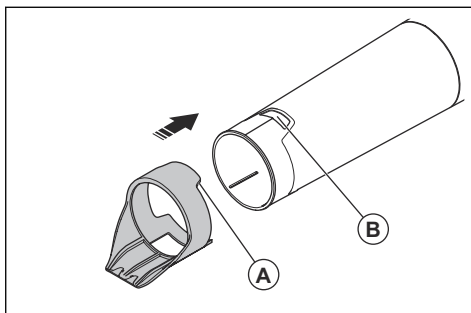


- Pour un débit d'air plus élevé, fixez la buse haute vitesse sur le tube inférieur.

Pour fixer le racloir

Le racloir peut être utilisé pour décoller les feuilles et autres matériaux indésirables pour faciliter le nettoyage.

- Fixez le racloir sur le tube inférieur jusqu'à ce que la languette (A) entre dans le trou (B). Assurez-vous que le racloir et le tube sont verrouillés ensemble.

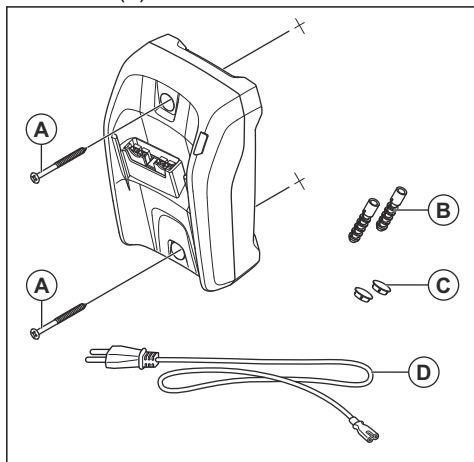


Pour installer le chargeur de batterie sur un mur



REMARQUE: n'utilisez pas de tournevis électrique pour installer le chargeur de batterie sur le mur. Un tournevis électrique peut endommager le chargeur de batterie.

1. Installez le chargeur de batterie sur le mur à l'aide des 2 vis (A). Utilisez des chevilles murales (B) si nécessaire.



2. Installez les 2 capuchons de trou de vis (C).
3. Branchez le cordon d'alimentation (D) du chargeur de batterie sur une prise de courant murale.

Utilisation

Introduction



AVERTISSEMENT: Assurez-vous de lire et de comprendre le chapitre dédié à la sécurité avant d'utiliser l'appareil.

Pour effectuer un contrôle du fonctionnement avant d'utiliser le produit

1. Vérifiez que l'admission d'air ne présente ni fissures ni saletés. Utilisez une brosse et retirez l'herbe et les feuilles coincées dans le produit.
2. Contrôlez le bon fonctionnement du produit.
3. Contrôlez toutes les vis et tous les écrous et assurez-vous qu'ils sont serrés.

Pour brancher le chargeur de batterie



AVERTISSEMENT: Utilisez uniquement le chargeur de batterie à des températures ambiantes comprises entre 41°F (5°C) et 104°F (40°C).

1. Branchez le chargeur de batterie sur une prise électrique dont les caractéristiques de tension et de fréquence correspondent aux spécifications mentionnées sur la plaque signalétique.
2. Branchez le cordon dans une prise de courant mise à la terre. La LED du chargeur de batterie clignote en rouge 1 fois et en vert 1 fois.

Pour charger la batterie



REMARQUE: Assurez-vous que la batterie, le chargeur de batterie et les bornes de la batterie sont propres et secs. Ne placez pas la batterie dans le chargeur de batterie si elle est sale ou humide.

1. Branchez le chargeur de batterie à une prise de courant. La LED de charge clignote en rouge 1 fois et en vert 1 fois.



REMARQUE: Ne branchez le chargeur de batterie que sur une prise de courant à la tension et à la fréquence indiquées sur la plaque signalétique.

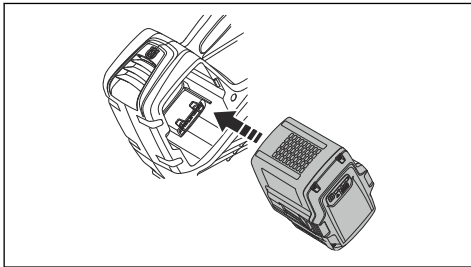
2. Insérez la batterie dans le chargeur de batterie. La LED de charge s'allume.
3. Retirez la batterie du chargeur de batterie lorsqu'elle est complètement chargée. Enfoncez le bouton de l'indicateur de batterie pour connaître l'état de la batterie. La batterie est totalement chargée quand tous les indicateurs LED sont allumés.
4. Tirez sur la prise électrique pour débrancher le chargeur de batterie de la prise de courant. Ne tirez pas le cordon d'alimentation.

Pour fixer la batterie au produit

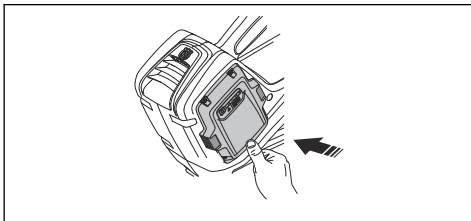


AVERTISSEMENT: Utilisez uniquement des batteries d'origine Husqvarna dans le produit.

1. Assurez-vous que la batterie est complètement chargée.
2. Faites glisser la batterie dans le support de batterie du produit. La batterie doit glisser facilement ; si ce n'est pas le cas, elle n'est pas installée correctement.

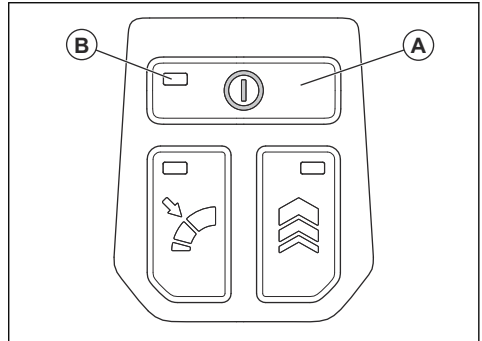


3. Appuyez sur la partie inférieure de la batterie et poussez-la complètement dans le compartiment de batterie. La batterie se fixe dans son logement, ce qu'indique le « clic ».
4. Vérifiez que les verrous se positionnent correctement.



Pour démarrer le produit

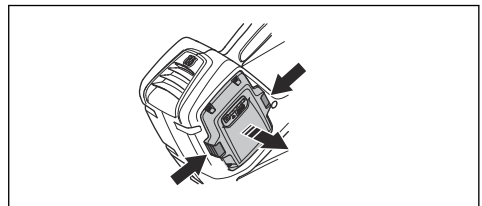
1. Appuyez sur le bouton de démarrage (A) et maintenez-le enfoncé jusqu'à ce que la LED verte (B) s'allume.



2. Utilisez la gâchette de puissance pour contrôler la vitesse.

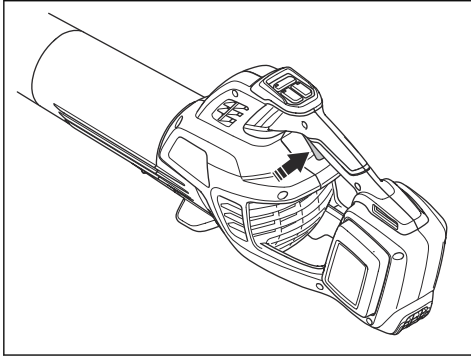
Pour arrêter le produit

1. Relâchez la gâchette de puissance.
2. Appuyez sur le bouton d'alimentation et maintenez-le enfoncé jusqu'à ce que la LED verte s'éteigne.
3. Retirez la batterie du produit. Appuyez sur les deux boutons de déverrouillage et sortez la batterie.

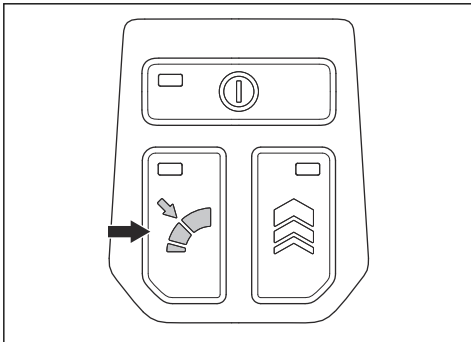


Pour régler le débit d'air optimal

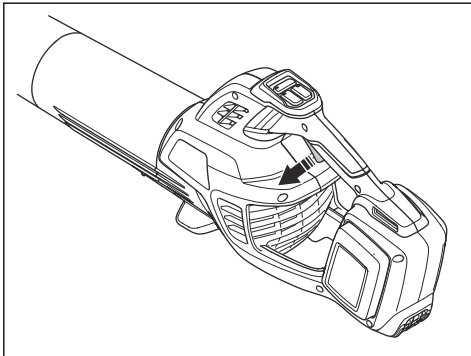
1. Appuyez sur la gâchette de puissance et maintenez-la enfoncée au flux d'air optimal pour la tâche en cours.



2. Appuyez sur le bouton du régulateur de vitesse pour régler le débit d'air sélectionné. La LED s'allume.



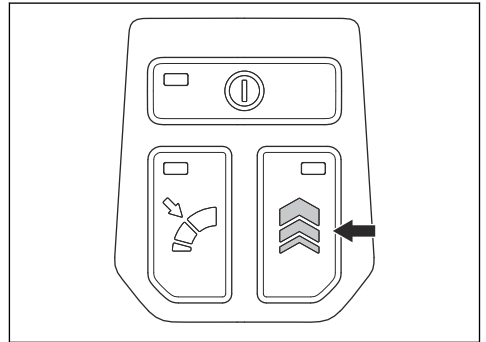
3. Continuez à utiliser le produit sans enfoncer la gâchette de puissance.



4. Appuyez à nouveau sur le bouton du régulateur de vitesse pour désactiver la fonction de régulateur de vitesse.

Pour augmenter temporairement le flux d'air

1. Faites démarrer le produit. Reportez-vous à la section *Pour démarrer le produit à la page 36*.
2. Appuyez sur le bouton Power Boost pour obtenir le débit d'air maximal. La LED s'allume.



3. Relâchez le bouton Power Boost pour utiliser le produit avec un flux d'air initial.

Entretien

Introduction



AVERTISSEMENT: Avant d'effectuer des travaux d'entretien, vous devez lire et comprendre le chapitre sur la sécurité.

Calendrier d'entretien



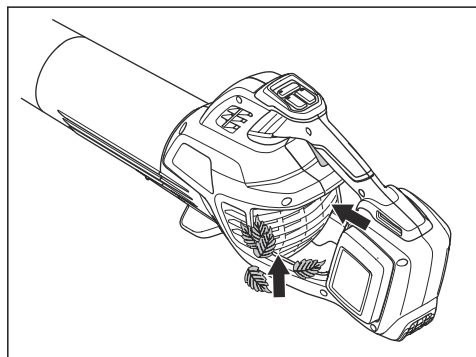
AVERTISSEMENT: Retirez la batterie avant d'effectuer l'entretien.

La liste ci-dessous indique les étapes d'entretien à effectuer sur le produit.

Entretien	Tous les jours	Toutes les semaines	Mensuel
Nettoyez l'extérieur de la machine avec un chiffon propre et sec. N'utilisez jamais d'eau.	X		
Les poignées doivent toujours être propres, sèches et sans traces d'huile ni de graisse.	X		
Assurez-vous que le bouton d'alimentation fonctionne correctement et qu'il n'est pas endommagé.	X		
Assurez-vous que la gâchette de puissance fonctionne correctement en ce qui concerne la sécurité.	X		
Assurez-vous que toutes les vis et tous les écrous sont bien serrés.	X		
Vérifiez que la batterie est intacte.	X		
Vérifiez la charge de la batterie.	X		
Vérifiez que les boutons de déverrouillage de la batterie fonctionnent et fixent la batterie à la machine.	X		
Vérifiez que le chargeur de batterie est intact et fonctionnel.	X		
Vérifiez que tous les raccords sont intacts et propres.		X	
Vérifiez les connexions entre la batterie et la machine, ainsi que la connexion entre la batterie et son chargeur.			X

Pour contrôler la prise d'air

1. Assurez-vous que la prise d'air n'est pas obstruée.



2. Arrêtez le produit et retirez les feuilles ou les matériaux indésirables si nécessaire.



REMARQUE: une prise d'air obstruée réduit la capacité de soufflage du produit et augmente la température de travail du moteur.

Si le moteur devient trop chaud, cela peut entraîner sa défaillance.

Pour examiner la batterie et le chargeur de batterie

1. Examinez la batterie pour détecter tout dommage, par exemple des fissures.
2. Examinez le chargeur de batterie pour détecter tout dommage, par exemple des fissures.
3. Assurez-vous que le cordon de raccordement du chargeur de batterie n'est pas endommagé et qu'il n'est pas fissuré.

Pour nettoyer le produit, la batterie et le chargeur de batterie

1. Nettoyez le produit avec un chiffon sec après utilisation.
2. Nettoyez la batterie et le chargeur de batterie avec un chiffon sec. Veillez à maintenir les rails guides de la batterie en parfait état de propreté.
3. Assurez-vous que les bornes de la batterie et du chargeur de batterie sont propres avant d'insérer la batterie dans le chargeur ou le produit.

Dépannage

Clavier

Clavier	Défaillances possibles	Action possible
La DEL verte clignote	Batterie faible.	Rechargez la batterie.

Batterie

Situation	Défaillances possibles	Procédure possible
La LED d'avertissement de la batterie clignote.	Écart de température, la batterie est trop froide ou trop chaude pour être utilisée.	Laissez la batterie refroidir ou déplacez-la à l'intérieur pour la réchauffer. Lorsque la température de la batterie est correcte, elle peut à nouveau être utilisée. Utilisez la batterie à des températures ambiantes comprises entre 14°F (-10°C) et 104°F (40°C).
	La batterie est vide.	Rechargez la batterie.

Situation	Défaillances possibles	Procédure possible
La LED d'avertissement de la batterie s'allume.	Erreur de batterie permanente.	Parlez-en à votre revendeur.

Chargeur de batterie

État	Défaillances possibles	Procédure possible
La LED de charge est rouge.	Erreur de chargeur de batterie permanente.	Parlez-en à votre revendeur.
La LED de charge clignote en vert.	Écart de température, la batterie est trop froide ou trop chaude pour être utilisée ou chargée.	Laissez la batterie refroidir ou réchauffez-la. Lorsque la température de la batterie est correcte, elle peut à nouveau être utilisée ou rechargée. Utilisez le chargeur de batterie à des températures ambiantes comprises entre 5 °C (41 °F) et 40 °C (104 °F).
La LED de charge clignote en rouge.	Batterie défectueuse	Contactez votre revendeur

Transport, entreposage et mise au rebut

Transport et stockage

- Respectez les exigences de la législation sur les marchandises dangereuses Li-ion.
- Vous devez respecter l'exigence spécifique relative à l'emballage et aux étiquettes pour le transport commercial, y compris par des tiers et des transitaires.
- Consultez un expert en matières dangereuses avant d'expédier le produit. Respectez les lois nationales en vigueur.
- Mettez du ruban adhésif sur les contacts lorsque vous placez la batterie dans un emballage. Placez la batterie dans l'emballage de façon hermétique pour empêcher tout mouvement.
- Retirez la batterie lors du stockage ou du transport.
- Placez la batterie et le chargeur de batterie dans un endroit sec, à l'abri de l'humidité et du gel.
- Ne conservez pas la batterie dans un endroit présentant un risque d'électricité statique. Ne conservez pas la batterie dans une boîte métallique.
- Conservez la batterie dans un endroit où la température est comprise entre 5 °C (41 °F) et 25 °C (77 °F) et à l'abri de la lumière du soleil.
- Conservez le chargeur de batterie dans un endroit où la température est comprise entre 5 °C (41 °F) et 45 °C (113 °F) et à l'abri de la lumière du soleil.
- N'utilisez le chargeur de batterie que si la température ambiante est comprise entre 5 °C (41 °F) et 40 °C (104 °F).
- Chargez la batterie entre 30 % et 50 % avant de la remiser pendant des périodes prolongées.
- Conservez le chargeur de batterie dans un local fermé et sec.
- Conservez la batterie à l'écart du chargeur lors du rangement. Ne laissez pas des enfants ou d'autres personnes non autorisées toucher l'équipement. Conservez l'équipement dans un local verrouillable.
- Nettoyez le produit et effectuez un entretien complet avant de remiser le produit pendant des périodes prolongées.
- Fixez le produit pour le transporter.

Mise au rebut

Ce symbole indique que le produit ne fait pas partie des déchets ménagers. Recyclez-le par le biais de votre système de collecte local pour les équipements électriques et électroniques. Cela contribue à une bonne gestion des déchets en fin de vie. Contactez les autorités locales, les services des ordures ménagères, votre revendeur ou votre détaillant pour plus d'informations. Une mise au rebut incorrecte peut avoir des effets négatifs

potentiels sur l'environnement et la santé, en raison de la présence potentielle de substances dangereuses.



Remarque: Le symbole apparaît sur le produit ou l'emballage du produit.

Caractéristiques techniques

Caractéristiques techniques

	350IB
Moteur	
Type de moteur	BLDC (sans balais) 36 V
Poids	
Poids sans batterie, kg / lb	2,8 / 6,2
Performances de la turbine	
Vitesse d'air max., m/s / mi/h (avec buse)	89,4 / 200
Volume d'air max., m ³ /min / cfm	22,65 / 800
Force de soufflage, N	23,5
Limites de température	
Température ambiante de fonctionnement, °F/°C	14–104/-10–40
Température ambiante de remisage, °F/°C	41–77/5–25

Batteries homologuées pour le produit

Batterie	40-B140	BLi22	BLi30	BLi200	BLi300
Type	Lithium-ion	Lithium-ion	Lithium-ion	Lithium-ion	Lithium-ion
Capacité de la batterie, Ah	4,0	4,2	7,7	5,0	9,0
Tension nominale, V	36	36	36	36	36
Poids, kg/lb	1,2/2,7	1,3/2,9	1,9/4,2	1,3/2,9	1,9/4,2

Batterie	40-B140	Bli22	Bli30	Bli200	Bli300
Type de chargeur de batterie	40-C80, QC250	40-C80, QC250	QC250	QC500	QC500

Chargeurs de batterie homologués

Chargeur de batterie	40-C80	QC250	QC500
Tension d'entrée, V	100-240	100-240	100-240
Fréquence, Hz	50-60	50-60	50-60
Puissance, W	80	250	500

Batteries homologuées pour le produit

Batterie	40-B140	Bli22	Bli30
Type	Lithium-ion	Lithium-ion	Lithium-ion
Capacité de la batterie, Ah	4,0	4,2	7,7
Tension nominale, V	36	36	36
Poids, kg/lb	1,2/2,7	1,3/2,9	1,9/4,2
Type de chargeur de batterie	40-C80, QC250	40-C80, QC250	QC250

Chargeurs de batterie homologués

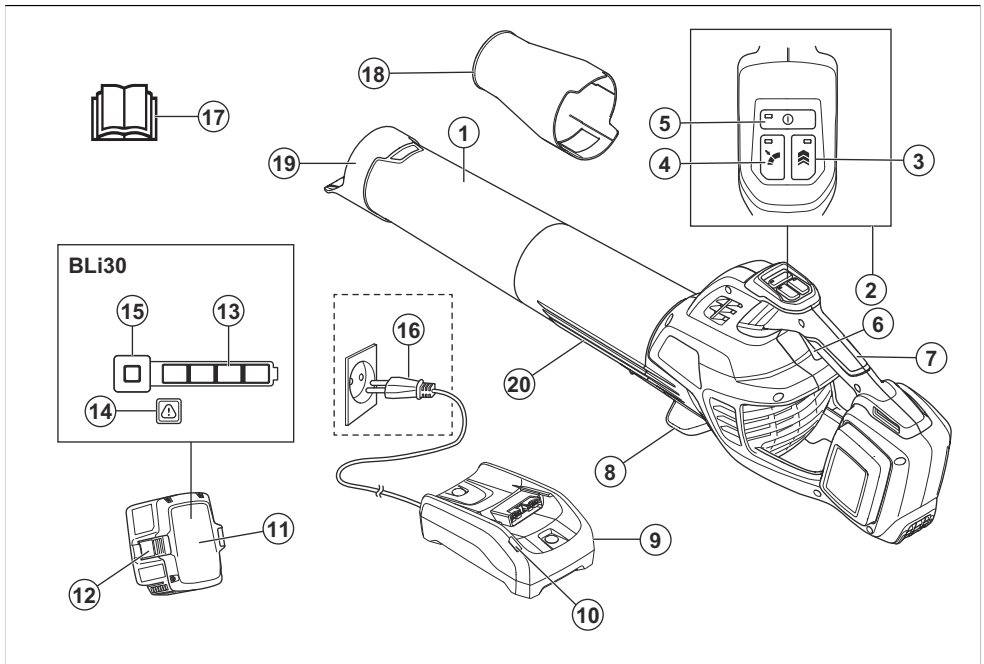
Chargeur de batterie	QC250	40-C80
Tension d'entrée, V	100-240	100-240
Fréquence, Hz	50-60	50-60
Puissance, W	250	80

Contenido

Introducción.....	43	Mantenimiento.....	59
Seguridad.....	47	Solución de problemas.....	60
Montaje.....	55	Transporte, almacenamiento y eliminación de residuos.....	61
Funcionamiento.....	56	Datos técnicos.....	62

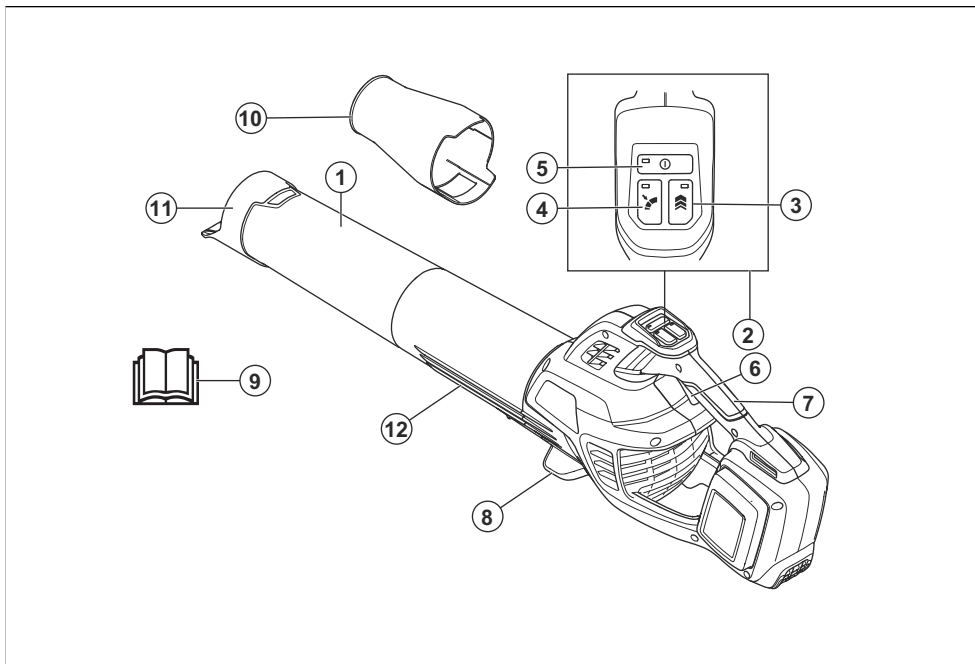
Introducción

Descripción general del producto



- | | |
|---|---|
| 1. Tubo inferior | 11. Batería, incluida solo en el kit |
| 2. Teclado | 12. Botón de liberación de la batería |
| 3. Botón de refuerzo de potencia | 13. Indicador de estado de la batería |
| 4. Control de crucero: Ajuste el flujo de aire óptimo para la tarea | 14. Indicador de advertencia (LED de error) |
| 5. Botón de encendido | 15. Botón del indicador de batería |
| 6. Gatillo de alimentación | 16. Enchufe |
| 7. Manilla | 17. Manual del usuario |
| 8. Soportes | 18. Boquilla de régimen alto |
| 9. Cargador de batería, incluido solo en el kit | 19. Herramienta raspadora |
| 10. Indicador de potencia y advertencia | 20. Tubo superior |

Descripción general del producto



1. Tubo inferior
2. Teclado
3. Botón de refuerzo de potencia
4. Control de cruce: Ajuste el flujo de aire óptimo para la tarea
5. Botón de encendido
6. Gatillo de alimentación
7. Manilla
8. Soportes
9. Manual de usuario
10. Boquilla de régimen alto
11. Herramienta raspadora
12. Tubo superior

Descripción del producto

La Husqvarna 350iB es un modelo de sopladora con un motor eléctrico.

Contamos con una política de desarrollo continuo de productos y, por lo tanto, se reserva el derecho de modificar el diseño y el aspecto de los productos sin previo aviso.

Uso específico

Este producto está diseñado para soplar hojas y otros residuos desde césped, senderos, caminos de asfalto y similares.

Símbolos en el producto



ADVERTENCIA: Este producto puede causar daños graves o la muerte al operador o a otras personas. Tenga cuidado y utilice el producto correctamente.



Lea el manual de instrucciones cuidadosamente y asegúrese de entender las instrucciones antes de operar el producto.



Utilice siempre protección ocular aprobada cuando emplee el producto.



Utilice siempre protectores auriculares aprobados cuando emplee el producto.



Utilice guantes y botas de protección aprobados. Utilice mangas largas y pantalones.



Mantenga el cabello por encima de los hombros.



No deje, almacene ni utilice la batería bajo la lluvia o en condiciones húmedas.



No utilice joyas cuando utilice el producto.



Corriente continua.



El producto o paquete del producto no es residuo doméstico. Recíclelo en una planta de reciclaje para equipo eléctrico y electrónico.



El operador de la sopladora se debe asegurar de que ninguna persona o animal se acerque a menos de 15 metros. Cuando varios operadores trabajan en el mismo lugar, se debe establecer una distancia de seguridad de, al menos, 15 metros. La sopladora puede echar a volar objetos violentamente que pueden rebotar. Lo anterior puede provocar heridas graves en los ojos si no se utiliza el equipo de seguridad recomendado.



yyyy
wwxxxx

La placa de características muestra el número de serie. **aaaa** es el año de producción, **ss** es la semana de producción.

Símbolos en la batería



Recicle este producto en una planta de reciclaje para equipo eléctrico y electrónico.

Símbolos en el producto



ADVERTENCIA: Este producto puede causar daños graves o la muerte al operador o a otras personas. Tenga cuidado y utilice el producto correctamente.



Lea el manual de instrucciones cuidadosamente y asegúrese de entender las instrucciones antes de operar el producto.



Utilice siempre protectores auriculares aprobados cuando emplee el producto.



Use siempre protección ocular autorizada cuando utilice el producto.



Utilice guantes y botas de protección aprobados. Utilice mangas largas y pantalones.



Mantenga el cabello por encima de los hombros.



No deje, almacene ni utilice la batería bajo la lluvia o en condiciones húmedas.



No utilice joyas cuando utilice el producto.



El operador de la sopladora se debe asegurar de que ninguna persona o animal se acerque a menos de 15 metros. Cuando varios operadores trabajan en el mismo lugar, se debe establecer una distancia de seguridad de, al menos, 15 metros. La sopladora puede echar a volar objetos violentamente que pueden rebotar. Lo anterior puede provocar heridas graves en los ojos si no se utiliza el equipo de seguridad recomendado.



Use y mantenga el cargador de batería únicamente en interiores.

Tenga en cuenta: Otros símbolos o etiquetas en el cargador de batería hacen referencia a requisitos de certificación de algunas zonas comerciales.

Propuesta 65 de California

! ¡ADVERTENCIA!

Este producto contiene o emite productos químicos que pueden causar cáncer, defectos congénitos u otros daños en el sistema reproductor.

Asistencia al cliente

Para comunicarse con asistencia al cliente, llame al: 1-800-487-5951 o visite www.usa.husqvarna.com.

Fabricante

Husqvarna Professional Products, Inc.
9335 Harris Corners Pkwy, Charlotte, NC 28269, USA

Daños en el producto

No somos responsables de los daños a nuestro producto en los siguientes casos:

- el producto se repara incorrectamente
- el producto se repara con piezas que no son del fabricante o que este no autoriza
- el producto tiene un accesorio que no es del fabricante o que este no autoriza
- el producto no se repara en un centro de servicio autorizado o por una autoridad aprobada.



Corriente continua.

aaassxxxxx

La placa de características o la impresión láser muestra el número de serie. **aa** es el año de producción y **ss** es la semana de producción.

Tenga en cuenta: Otros símbolos o etiquetas del producto hacen referencia a requisitos de certificación de algunas zonas comerciales.

Símbolos en el cargador de la batería



Tenga cuidado y utilice el producto correctamente. Este producto puede causar daños graves o fatales al operador o a otras personas.



Lea atentamente el manual de instrucciones y asegúrese de que entiende las instrucciones antes de usar el producto.



Este producto cumple con las directivas CE pertinentes.



El producto o paquete del producto no es residuo doméstico. Recíclalo en un sitio de eliminación de desechos adecuado para equipos eléctricos y electrónicos.

Seguridad

Definiciones de seguridad

Las advertencias, precauciones y notas se utilizan para señalar las piezas particularmente importantes del manual.



ADVERTENCIA:

Se utilizan para señalar el riesgo de lesiones graves o mortales para el operador o para aquellos que se encuentren cerca si no se siguen las instrucciones del manual.



AVISO: Se utilizan para señalar el riesgo de dañar la máquina, otros materiales o el área adyacente si no se siguen las instrucciones del manual.

Tenga en cuenta: Se utilizan para entregar más información necesaria en situaciones particulares.

INSTRUCCIONES DE SEGURIDAD IMPORTANTES



ADVERTENCIA: Lea todas las advertencias de seguridad y todas las instrucciones. En caso de no seguir las advertencias ni las instrucciones se pueden producir sacudidas eléctricas, incendios o daños graves.

Lea todas las instrucciones



ADVERTENCIA: Cuando utilice aparatos eléctricos para jardines, siga siempre las precauciones de seguridad básicas para reducir el riesgo de incendio, sacudida eléctrica y daños personales, como los siguientes:

Advertencias generales de seguridad de la máquina



ADVERTENCIA: Lea todas las advertencias de seguridad, las instrucciones, las ilustraciones y las especificaciones que se suministran con esta máquina. *En caso de no seguir todas las instrucciones que se entregan a continuación, se pueden producir sacudidas eléctricas, incendios o daños graves.*

Tenga en cuenta: Guarde todas las advertencias e instrucciones para futuras referencias. *En las advertencias, el término "máquina" se refiere a la máquina eléctrica (con cable) o a la máquina con batería (inalámbrica).*

Seguridad en el área de trabajo

- **Mantenga el área de trabajo limpia y bien iluminada.** *Las áreas desordenadas u oscuras propician los accidentes.*
- **No opere la máquina en atmósferas explosivas, como ante la presencia de gases, polvo o líquidos inflamables.** *Las máquinas generan chispas que pueden encender el polvo o los vapores.*
- **Mantenga a los niños y los transeúntes alejados mientras opera una máquina.** *Las distracciones pueden hacerle perder el control.*

Seguridad eléctrica

- **Los enchufes de la máquina deben coincidir con la toma de corriente. Nunca modifique el enchufe de ninguna forma. No utilice enchufes con adaptador con máquinas conectadas a tierra.** *Los enchufes sin modificaciones y las tomas correspondientes reducen el riesgo de descarga eléctrica.*
- **Evite el contacto corporal con superficies conectadas a tierra, como tuberías, radiadores, estufas y refrigeradores.** *Existe un mayor riesgo de descarga eléctrica si su cuerpo está conectado a tierra.*
- **No exponga las máquinas a la lluvia o a condiciones húmedas.** *Si entra agua en una*

máquina, aumenta el riesgo de descarga eléctrica.

- **No haga mal uso del cable.** Nunca utilice el cable para transportar, tirar o desconectar la máquina. Mantenga el cable alejado del calor, el aceite, los bordes afilados o las piezas en movimiento. *Los cables dañados o enredados aumentan el riesgo de sacudida eléctrica.*
- **Cuando opere una máquina en exteriores,** utilice un cable de extensión apto para el uso al aire libre. *La utilización de un cable apto para el uso al aire libre reduce el riesgo de sacudida eléctrica.*
- **Si no se puede evitar el uso de una máquina en un lugar húmedo,** utilice un suministro con protección de un interruptor de circuito de falla a tierra (GFCI, del inglés "Ground Fault Circuit Interrupter"). *El uso de un GFCI reduce el riesgo de sacudida eléctrica.*

Seguridad personal

- **Permanezca alerta, mire lo que está haciendo y use el sentido común cuando opere una máquina.** No utilice una máquina si está cansado o bajo la influencia de drogas, alcohol o medicamentos. *Un momento de distracción durante el uso de las máquinas puede generar lesiones personales graves.*
- **Utilice el equipo de protección personal. Siempre utilice protección ocular.** *El equipo de protección (como máscara contra polvo, calzado de seguridad antideslizante, casco o protectores auriculares) que se utiliza en condiciones pertinentes reducirá los daños personales.*
- **Evite el arranque accidental.** Asegúrese de que el interruptor esté apagado antes de conectarse a una fuente de alimentación o insertar una unidad de batería, así como cuando recoge o transporta la máquina. *Si transporta máquinas con su dedo en el interruptor o si les suministra corriente con el interruptor en la posición de encendido puede provocar accidentes.*
- **Quite cualquier llave de ajuste antes de encender la máquina.** *Una llave conectada a una pieza giratoria de la máquina puede causar daños personales.*
- **No se estire demasiado.** Mantenga una posición y un equilibrio adecuados en todo momento. *Esto permite un mejor control de la máquina en situaciones inesperadas.*

- **Vístase adecuadamente.** No use ropa suelta ni joyas. Mantenga su cabello, su ropa y sus guantes alejados de las piezas en movimiento. *La ropa suelta, las joyas o el cabello largo pueden enredarse en las piezas en movimiento.*
- **Si se proporcionan dispositivos para la conexión de instalaciones de recolección y extracción de polvo,** asegúrese de que estos se conecten y utilicen de manera pertinente. *El uso de recolectores de polvo puede reducir los peligros relacionados con el polvo.*
- **No se confíe de los conocimientos obtenidos a partir del uso frecuente de las herramientas ni pase por alto los principios de seguridad de uso de las herramientas.** *Una acción negligente puede causar una lesión grave en una fracción de segundo.*
- **La emisión de vibración durante el uso de la máquina puede ser diferente del valor total indicado en función de la forma en que se utilice la máquina.** El usuario debe conocer las medidas de seguridad para protegerse a sí mismo, las que se basan en una estimación de la exposición en condiciones de uso reales (teniendo en cuenta todas las partes del ciclo de funcionamiento, como el período en que la máquina está apagada y cuando esté funcionando en ralentí además del gatillo).

Uso y cuidado de la máquina

- **No fuerce la máquina.** Utilice la máquina correcta para su aplicación. *Tener la máquina correcta permitirá que el trabajo sea mejor y más seguro si se usa a la velocidad para la que fue diseñada.*
- **No utilice la máquina si no se puede encender ni apagar con el interruptor.** *Cualquier máquina que no se pueda controlar con el interruptor conlleva peligros y se debe reparar.*
- **Desconecte el enchufe de la fuente de alimentación o retire la unidad de batería, si es desmontable, de la máquina antes de hacer ajustes, cambiar accesorios o almacenar la máquina.** *Tales medidas de seguridad preventivas reducen el riesgo de arranque accidental de la máquina.*
- **Almacene las máquinas inactivas fuera del alcance de los niños y no permita que personas que no estén familiarizadas con la máquina o con estas instrucciones operen**

la máquina. *Las máquinas pueden ser peligrosas en manos de usuarios inexpertos.*

- **Realice el mantenimiento de las máquinas y los accesorios.** Revise en busca de atascamiento o desalineación de las piezas móviles, rotura de piezas y cualquier otra condición que pueda afectar el funcionamiento de la máquina. Si está dañada, solicite la reparación de la máquina antes de usarla. *Muchos de los accidentes se deben a máquinas con un mal mantenimiento.*
- **Mantenga las máquinas de corte afiladas y limpias.** *Las máquinas de corte con un mantenimiento correcto y bordes cortantes afilados son menos propensas a atascamientos y más fáciles de controlar.*
- **Utilice la máquina, los accesorios, las barrenas, etc., de acuerdo con estas instrucciones, conforme a las condiciones de trabajo y la tarea que se debe realizar.** *El uso de la máquina en operaciones distintas de las previstas podría generar una situación peligrosa.*
- **Mantenga los mangos y las superficies de agarre secos, limpios y sin grasa ni aceite.** *Los mangos y las superficies de agarre resbaladizas no permiten un manejo seguro ni el control de la máquina en situaciones imprevistas.*

Uso y cuidado de la herramienta alimentada por batería

- **Recargue únicamente con el cargador especificado por el fabricante.** *Un cargador apto para un tipo de unidad de batería puede implicar riesgo de incendio si se usa con otra unidad de batería distinta.*
- **Utilice las máquinas solo con las unidades de batería diseñadas específicamente para ellas.** *El uso de otras baterías puede implicar riesgo de lesiones e incendio.*
- **Cuando la unidad de batería no esté en uso, manténgala alejada de otros objetos metálicos, como sujetapapeles, monedas, llaves, clavos, tornillos u otros objetos metálicos pequeños que puedan provocar una conexión entre los terminales.** *Si hace un puente entre los terminales de la batería, puede causar quemaduras o un incendio.*
- **En condiciones extremas, la batería puede expulsar líquido; evite el contacto.** Si se produjera un contacto accidentalmente, enjuáguese con agua. Si el líquido entra en

contacto con los ojos, además, acuda a un médico. *El líquido expulsado de la batería puede causar irritaciones o quemaduras.*

- **No utilice una unidad de batería ni una herramienta dañada o modificada.** *Las baterías dañadas o modificadas pueden presentar un comportamiento impredecible que puede ocasionar incendios, explosiones o riesgo de lesiones.*
- **No exponga una unidad de batería ni una herramienta al fuego o una temperatura excesiva.** *La exposición al fuego o una temperatura superior a 130 °C (265 °F) puede causar una explosión.*
- **Siga todas las instrucciones de carga y no cargue la batería ni la herramienta en condiciones que superen el rango de temperatura especificado en las instrucciones.** *De lo contrario, podría dañar la batería y aumentar el riesgo de incendio.*

Servicio

- **Solicite el mantenimiento de la máquina a un técnico calificado que utilice solo repuestos idénticos.** *Esto garantizará la seguridad de la máquina que recibe mantenimiento.*
- **Nunca realice servicio a unidades de baterías dañadas.** *Solo el fabricante o los proveedores de servicios autorizados deben realizar el servicio de las unidades de batería.*

Advertencias de seguridad para la sopladora de jardín

- **No utilice la sopladora de jardín en condiciones meteorológicas adversas, especialmente cuando haya un pronóstico de tormentas eléctricas.** *Esto disminuye el riesgo de ser alcanzado por un rayo.*
- **Utilice protección ocular y auditiva.** *Un equipo de protección adecuado reducirá el riesgo de lesiones personales.*
- **Mientras opere la sopladora de jardín, siempre utilice calzado protector antideslizante.** No haga funcionar la sopladora de jardín cuando esté descalzo o con sandalias abiertas. *Esto reduce el riesgo de lesiones en los pies.*
- **No use ropa holgada o artículos como bufandas, cuerdas, cadenas, ataduras, etc., ya que estos podrían ingresar en las entradas de aire.** Amarre o cubra el cabello largo para asegurarse de que no se introduzca en

las entradas de aire. *Si cualquiera de estos elementos se introduce en las entradas de aire, puede aumentar el riesgo de lesiones personales.*

- **Mantenga alejados a los transeúntes mientras usa la sopladora de jardín.** *Los residuos arrojados pueden aumentar el riesgo de lesiones personales.*
- **Nunca apunte la boquilla de la sopladora en dirección a personas o mascotas, ni en dirección a las ventanas. Tenga especial cuidado cuando sople escombros cerca de objetos sólidos, como árboles, automóviles y muros, ya que puede hacer que los escombros reboten.** *Los objetos proyectados pueden dañar la propiedad y aumentar el riesgo de lesiones personales.*
- **No utilice la sopladora de jardín para soplar nada que esté ardiendo o humeando, como cigarrillos, cerillas o cenizas calientes.** *Estas fuentes de ignición pueden aumentar el riesgo de incendio.*
- **No toque el ventilador mientras aún está en movimiento. Apague la sopladora de jardín y espere hasta que el ventilador se detenga antes de retirar cualquier pieza que pueda dar acceso al ventilador.** *Esto reduce el riesgo de lesiones debido a piezas móviles.*
- **Cuando limpie material atascado o realice tareas de mantenimiento en la sopladora de jardín, asegúrese de que el interruptor de alimentación esté apagado.** *Si la máquina se acciona inesperadamente durante la extracción de material atascado o el mantenimiento, puede generar daños personales graves.*

Instrucciones generales de seguridad



ADVERTENCIA:

Lea atentamente las instrucciones de advertencia siguientes antes de usar el producto.

- El uso incorrecto o descuidado de la máquina puede significar un riesgo de daños mortales o graves al operador u a otras personas. Debe leer y comprender el contenido de este manual de usuario.
- Bajo ninguna circunstancia se puede modificar el diseño del producto sin autorización del fabricante. No utilice nunca

un producto que ha sido modificado de cualquier modo con respecto a la especificación original y utilice siempre accesorios originales. Las modificaciones o accesorios no autorizados pueden provocar daños personales o la muerte del operador u otras personas. Es posible que su garantía no cubra daños o responsabilidades causadas por el uso de accesorios o piezas de repuesto no autorizados.

- En este producto se genera un campo electromagnético durante su funcionamiento. Este campo puede, en determinadas circunstancias, interferir con implantes médicos activos o pasivos. Para reducir el riesgo de lesiones graves o fatales, recomendamos a las personas con implantes médicos consultar a su médico y al fabricante del implante médico antes de usar esta máquina.
- Quite la batería del producto antes de realizar la carga.

Instrucciones de seguridad para el funcionamiento



ADVERTENCIA:

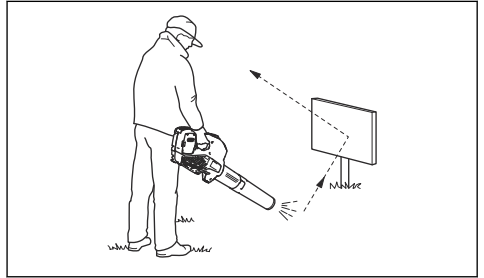
Lea atentamente las instrucciones de advertencia siguientes antes de usar el producto.

- Si se encuentra en una situación en la que no está seguro de cómo proceder, debe preguntarle a un experto. Comuníquese con el distribuidor o el taller de servicio. Evite todos los usos que considere que están más allá de su capacidad.
- Nunca utilice la máquina en condiciones climáticas desfavorables, como niebla, lluvia, vientos fuertes, fríos intensos, etc.
- No permita que los niños utilicen o se acerquen al producto. Ya que el producto es fácil de encender, los niños podrían hacerlo si no se les vigila lo suficiente. Esto puede significar riesgo de daños personales graves. Desconecte la batería cuando el producto no cuente con la supervisión adecuada.
- Asegúrese de que ninguna persona o animal se acerque a menos de 15 metros (50 pies) mientras trabaja. Cuando haya varios usuarios trabajando en el mismo lugar, la distancia de seguridad debe ser de al

menos 15 metros. De lo contrario, existe el riesgo de daños personales graves. Detenga el producto de inmediato si alguien se acerca. Nunca balancee el producto sin mirar primero hacia atrás para asegurarse de que nadie se encuentre dentro de la zona de seguridad.

- Cerciórese de que puede caminar y mantenerse de pie con seguridad. Revise el área a su alrededor para detectar posibles obstáculos (raíces, piedras, ramas, zanjas, etc.) en caso de que tenga que moverse repentinamente. Tenga sumo cuidado al trabajar en terreno inclinado.
- Mantenga un buen equilibrio en todo momento. No se estire demasiado.
- Preste atención a las señales de advertencia o gritos cuando utilice protectores auriculares. Siempre retire sus protectores auriculares apenas se detenga el producto.
- Muestre consideración a las personas en su entorno y evite utilizar el producto en horas inadecuadas, por ejemplo, tarde durante la noche o temprano durante la mañana. Siga las normativas y las disposiciones locales.
- Utilice el producto con el menor flujo de aire posible. Rara vez es necesario utilizar un flujo de aire máximo, y varios procedimientos de trabajo se pueden realizar con un flujo de aire medio. Un flujo de aire bajo significa menos ruido y menos polvo, y también permite un mayor control de los residuos recolectados o trasladados.
- Utilice un rastrillo o un cepillo para despegar los residuos adheridos al suelo.
- Mantenga la apertura de la sopladora lo más cerca posible del suelo.
- Mire sus alrededores. No apunte el producto a personas, animales, áreas de juego, autos, etc.
- Minimice el tiempo de soplado humedeciendo ligeramente las zonas polvorientas o utilizando un equipo de pulverización.
- Tenga en cuenta la dirección del viento. Trabaje utilizando el viento a su favor para facilitar el trabajo.
- Detenga el producto y retire la batería si este comienza a vibrar de manera anormal.
- El uso de la sopladora para mover grandes pilas requiere mucho tiempo y genera ruido innecesario.

- Limpie después de utilizar. Asegúrese de no soplar residuos hacia la propiedad de terceras personas.
- No corra con el producto.
- Las fuertes corrientes de aire pueden mover objetos a tal velocidad que pueden rebotar y causar lesiones oculares graves.



- No dirija el flujo de aire hacia personas o animales.
- Detenga el motor antes de montar o desmontar los accesorios u otras piezas.
- Mantenga todas las partes del cuerpo lejos de las superficies calientes.
- Nunca deje el producto en el suelo mientras esté activado, a menos que lo tenga a la vista.
- La sopladora no se debe utilizar mientras se está sobre una escalera o en un andamio.



- No utilice el producto, a menos que sea capaz de pedir ayuda en caso de accidente.
- Esté atento a que no salgan objetos despedidos. Es posible que las piedras, residuos, etc., salgan despedidos en dirección a los ojos y le causen ceguera o lesiones graves.
- Utilice un interruptor diferencial (RCI, por su sigla en inglés) para una mayor seguridad. Los interruptores diferenciales están equipados para proteger a los

operadores en caso de que ocurra alguna falla eléctrica.

- Este producto es reconocido por su baja carga de vibración. La sobreexposición a las vibraciones puede producir trastornos vasculares o nerviosos en personas que padecen de trastornos circulatorios. Comuníquese con su médico si experimenta síntomas de la sobreexposición a las vibraciones. Estos síntomas son entumecimiento, pérdida de sensibilidad, hormigueo, ardor, dolor, pérdida de fuerza, cambios en el color o el estado de la piel. Normalmente, estos síntomas se presentan en los dedos, manos o muñecas.
- Utilice el producto únicamente para el uso al que está destinado.
- No es posible abordar todas las situaciones posibles que puede afrontar. Siempre tenga cuidado y use su sentido común. Evite todas las situaciones que considere que están más allá de su capacidad. Si todavía se siente inseguro acerca de los procedimientos operativos después de leer estas instrucciones, debería consultar a un experto antes de continuar.

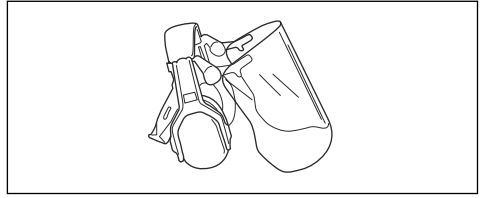
Equipo de protección personal



ADVERTENCIA:

Lea atentamente las instrucciones de advertencia siguientes antes de usar el producto.

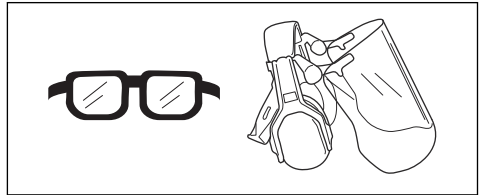
- Utilice siempre el equipo de protección personal adecuado cuando use el producto. El equipo de protección personal no puede impedir el riesgo de lesiones, pero disminuirá el grado de lesión si ocurre un accidente. Permita que su concesionario lo ayude a seleccionar el equipo adecuado.
- La exposición prolongada al ruido puede causar la pérdida de la audición. En general, los productos con alimentación mediante batería son relativamente silenciosos, pero pueden producir daños por medio de una combinación entre el nivel de ruido y el uso prolongado. Husqvarna recomienda que los operadores utilicen protectores auriculares cuando utilicen productos durante días enteros. Los usuarios recurrentes y habituales deben procurar acudir a exámenes auditivos con regularidad.



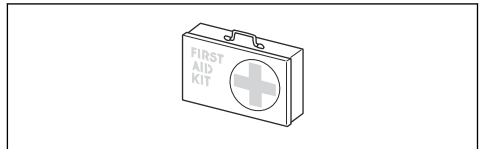
ADVERTENCIA:

Los protectores auriculares limitan la capacidad de escuchar sonidos y señales de advertencia.

- Use protección ocular homologada. Si utiliza un visor, también debe usar gafas protectoras homologadas. Las gafas protectoras homologadas deben cumplir con la norma ANSI Z87.1 de EE. UU. o EN 166 para países de la UE.



- Utilice ropa de material resistente. Use siempre pantalones largos y gruesos, y mangas largas. Evite usar ropas holgadas que se puedan enganchar con ramas. No trabaje con joyas, pantalones cortos, sandalias ni con los pies descalzos. Asegure su cabello por encima del nivel de los hombros.
- Mantenga un equipo de primeros auxilios a mano.



- Se debe utilizar una máscara respiratoria cuando exista riesgo de polvo.

Dispositivos de seguridad en el producto



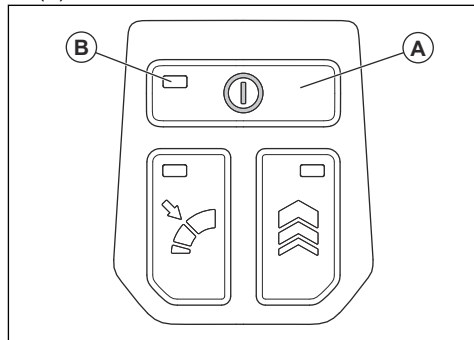
ADVERTENCIA:

Lea estas instrucciones de advertencia antes de usar el producto.

- En esta sección, se describen las características de seguridad del producto y su propósito, y cómo deben llevarse a cabo las comprobaciones y el mantenimiento para asegurarse de que funciona correctamente. Consulte las instrucciones bajo el título *Introducción en la página 43* para saber dónde se encuentran estas piezas en el producto.
- La vida útil del producto se puede reducir y el riesgo de accidentes puede aumentar si el mantenimiento del producto no se realiza correctamente y si el servicio o las reparaciones no se llevan a cabo de forma profesional. Si necesita más información, comuníquese con su taller de servicio más cercano.
- No utilice nunca un producto con componentes de seguridad dañados. El equipo de seguridad del producto se debe inspeccionar y mantener tal como se describe en esta sección. Si el producto no pasa exitosamente alguna de estas comprobaciones, comuníquese con el taller de servicio para que lo reparen.
- Todos los trabajos de mantenimiento y reparación del producto requieren una formación especial. Esto aplica especialmente al equipo de seguridad del producto. Si el producto no pasa exitosamente alguna de las comprobaciones indicadas a continuación, comuníquese con el taller de servicio. La compra de alguno de nuestros productos le garantiza la disponibilidad de mantenimiento y servicio profesionales. Si el minorista que vende el producto no es un distribuidor de mantenimiento, pídale la dirección del agente de mantenimiento más cercano.

Para comprobar el teclado

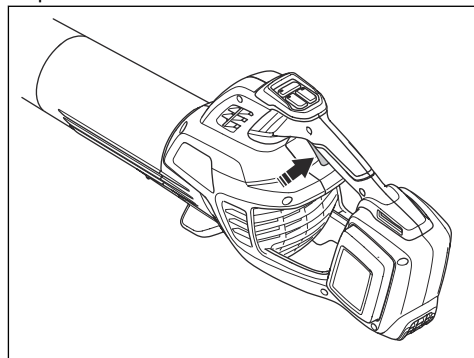
- Mantenga presionado el botón de encendido (A).



- a) El producto se enciende cuando la luz LED (B) se enciende.
- b) El producto se apaga cuando la luz LED (B) se apaga.

Para comprobar el funcionamiento del gatillo de alimentación de alimentación

- Presione y suelte el gatillo de alimentación para asegurarse de que se mueve sin problemas.



Seguridad de la batería



ADVERTENCIA:

Lea atentamente las instrucciones de advertencia siguientes antes de usar el producto.

- Utilice solo una Husqvarna batería recargable aprobada. Consulte *Datos técnicos en la página 62*. La batería cuenta con un software cifrado.

- Utilice una batería Husqvarna que sea recargable como fuente de alimentación solo para los productos Husqvarna relacionados. Para evitar daños, no utilice la batería como fuente de alimentación en otros dispositivos.
- Riesgo de sacudida eléctrica. No conecte los terminales de la batería a llaves, monedas, tornillos u otros objetos metálicos. Esto puede provocar un cortocircuito de la batería.
- No utilice baterías no recargables.
- No introduzca objetos en las ranuras de aire de la batería.
- Mantenga la batería alejada de la luz solar, del calor o de llamas. La batería puede causar quemaduras o quemaduras químicas.
- Mantenga la batería alejada de condiciones húmedas y de la lluvia.
- Mantenga la batería alejada de microondas y de alta presión.
- No intente desarmar o romper la batería.
- Si se produce una filtración en la batería, no permita que el líquido entre en contacto con la piel o los ojos. Si toca el líquido, limpie el área con agua y jabón abundante y solicite asistencia médica. Si el líquido se introduce en los ojos, no los frote, enjuáguese con agua durante un mínimo de 15 minutos y solicite asistencia médica.
- Utilice la batería en niveles de temperatura entre -10 °C (14 °F) y 40 °C (114 °F).
- No limpie con agua la batería o el cargador de batería. Consulte *Para limpiar el producto, la batería y el cargador de batería en la página 60*.
- No utilice una batería que esté dañada o que no funcione correctamente.
- Almacene las baterías en compartimientos alejados de objetos metálicos, como clavos, tornillos o joyas.
- Mantenga las baterías alejadas de los niños.
- Utilice una toma de corriente con conexión a tierra que no presente daños.
- Solo utilice cargadores Husqvarna.
- No intente desarmar el cargador de batería.
- No levante el cargador de batería tirando del cable de alimentación. Para desconectar el cargador de batería de la toma de corriente, tire del enchufe. No tire del cable de alimentación.
- Mantenga todos los cables y extensiones alejados del agua, aceite y bordes afilados. Asegúrese de que el cable no quede atrapado entre ruedas, rejillas o similares.
- No utilice el cargador de batería cerca de materiales inflamables o materiales que puedan causar corrosión. Asegúrese de que el cargador de la batería no esté cubierto. Desconecte el cargador de batería del enchufe en caso de incendio o humo.
- Cargue la batería solo en un lugar bajo techo con buena ventilación y lejos de la luz solar. No cargue la batería al aire libre. No cargue la batería en condiciones húmedas.
- Solo utilice el cargador de la batería cuando la temperatura esté entre 5 °C (41 °F) y 40 °C (104 °F). Utilice el cargador en un entorno que cuente con un buen flujo de aire, seco y sin polvo.
- No introduzca objetos en las ranuras de enfriamiento del cargador de la batería.
- No conecte los terminales del cargador de la batería a objetos metálicos, ya que esto puede causar cortocircuitos en el cargador de la batería.
- Utilice enchufes de pared aprobados que no presenten daños.
- Examine con regularidad que el cable de alimentación no esté dañado. Desconecte inmediatamente el cargador de la batería si el cable de alimentación está dañado.
- Si el cable de alimentación o está dañado, reemplácelo.
- Mantenga el cargador de la batería alejado de los niños.
- No utilice un cargador de baterías dañado o que no funcione correctamente.
- No utilice el cargador de la batería cuando haya un riesgo de tormentas eléctricas.
- No manipule el cargador de la batería con las manos mojadas.

Seguridad del cargador de batería



ADVERTENCIA:

Lea atentamente las instrucciones de advertencia siguientes antes de usar el producto.

- Existe riesgo de sacudidas eléctricas o cortocircuitos si no se siguen las instrucciones de seguridad.

- Este aparato puede ser utilizado por niños de 8 años o mayores, y por personas con capacidades físicas, sensoriales o cognitivas reducidas, o que carezcan de la experiencia y los conocimientos necesarios, solo si se los supervisa o reciben instrucciones sobre el uso del aparato de manera segura y si comprenden los peligros involucrados. Los niños no deben jugar con el aparato. La limpieza y el mantenimiento por parte del usuario no debe hacerlo un niño sin supervisión.

Instrucciones de seguridad para el mantenimiento



ADVERTENCIA:

Lea atentamente las instrucciones de advertencia antes de realizar mantenimiento al producto.

- Retire la batería antes de hacer el mantenimiento, otras revisiones o el armado del producto.
- El operador solo debe hacer el mantenimiento y el servicio que se indica en el manual del usuario. Comuníquese con su

concesionario de servicio cuando deba realizar mantenimiento y servicio a mayor escala.

- Mantenga todas las tuercas, pernos y tornillos apretados para asegurarse de que el equipo se encuentre en condiciones de trabajo seguras.
- Reemplace las piezas desgastadas o dañadas.
- Si no realiza el mantenimiento, disminuye la vida útil del producto y aumenta el riesgo de accidentes.
- Se necesita capacitación especial para todos los trabajos de servicio y reparación, especialmente de los dispositivos de seguridad del producto. Si no se aprueban todas las verificaciones establecidas en este manual de usuario después de realizar el mantenimiento, comuníquese con el concesionario de servicio. Garantizamos que existen reparaciones y servicios profesionales disponibles para su producto.
- Solo utilice piezas de repuesto originales.

GUARDE ESTAS INSTRUCCIONES

Montaje

Introducción

En este capítulo se describe cómo montar y ajustar el producto.

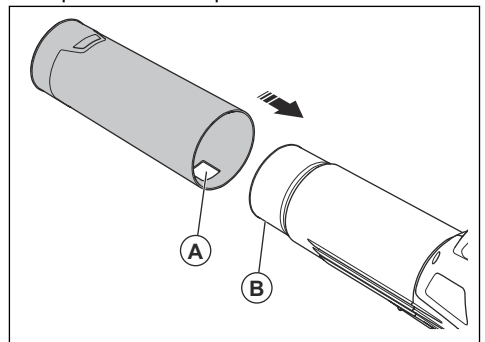


ADVERTENCIA: Antes de montar el producto, lea el capítulo sobre seguridad y las instrucciones de montaje.

Para montar los tubos de la sopladora

Tenga en cuenta: Aplique lubricante a base de agua en el extremo de los tubos para facilitar el montaje.

- Fije el tubo inferior al tubo superior hasta que la lengüeta (B) se inserte en el agujero (A). Asegúrese de que el tubo inferior y el tubo superior estén acoplados entre sí.

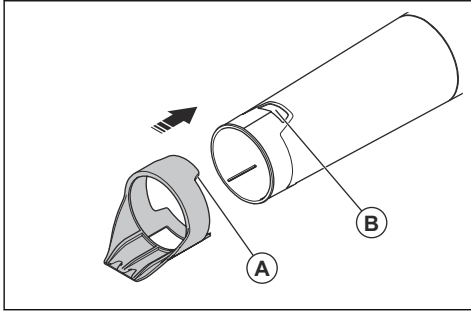


- Para obtener una mayor velocidad del aire, conecte la boquilla de régimen alto al tubo inferior.

Para fijar la herramienta raspadora

La herramienta raspadora se puede utilizar para soltar las hojas y otros materiales no deseados a fin de obtener una limpieza más fácil.

- Fije la herramienta raspadora al tubo inferior hasta que la lengüeta (A) se inserte en el agujero (B). Asegúrese de que la herramienta raspadora y el tubo estén acoplados entre sí.



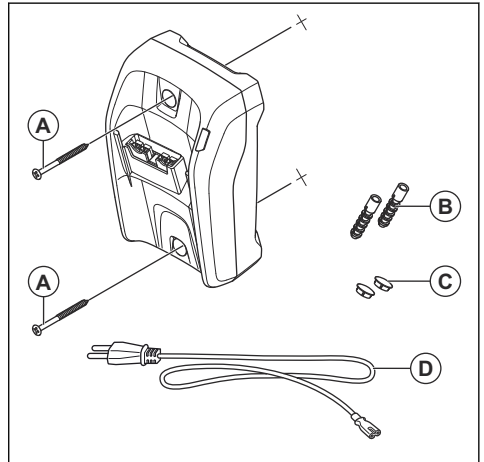
Para instalar el cargador de la batería en la pared



AVISO: No utilice un destornillador eléctrico para instalar el cargador de la

batería en la pared. Un destornillador eléctrico puede dañar el cargador.

1. Instale el cargador de la batería en la pared con los 2 tornillos (A). Utilice enchufes de pared (B) si es necesario.



2. Instale los 2 tapones para los orificios de los tornillos (C).
3. Conecte el cable de alimentación (D) al cargador de la batería y a una toma de corriente.

Funcionamiento

Introducción



ADVERTENCIA: Asegúrese de leer y comprender el capítulo de seguridad antes de utilizar el producto.

Para realizar una comprobación de funcionamiento antes de utilizar el producto

1. Compruebe la entrada de aire en busca de suciedad y grietas. Utilice un cepillo para quitar el pasto y las hojas del producto.
2. Asegúrese de que el producto funciona correctamente.
3. Realice una comprobación de todas las tuercas y tornillos. Asegúrese de que estén apretados.

Para conectar el cargador de la batería



ADVERTENCIA: Utilice el cargador de baterías solo a temperaturas ambiente entre 41°F (5°C) y 104°F (40°C).

1. Conecte el cargador de la batería según el voltaje y la frecuencia especificados en la placa de características.
2. Enchufe el producto en una toma de corriente con conexión a tierra. El LED del cargador de la batería parpadea en rojo 1 vez y en verde 1 vez.

Para cargar la batería



AVISO: Asegúrese de que la batería, el cargador de la batería y los terminales de la batería estén limpios y secos. Si la batería está sucia o

húmeda, no la coloque en el cargador de baterías.

1. Conecte el cargador de baterías a una toma de corriente. El LED de carga parpadea en rojo 1 vez y en verde 1 vez.



AVISO: Solo conecte el cargador de baterías a una toma de corriente con la tensión y la frecuencia que se especifican en la placa de características.

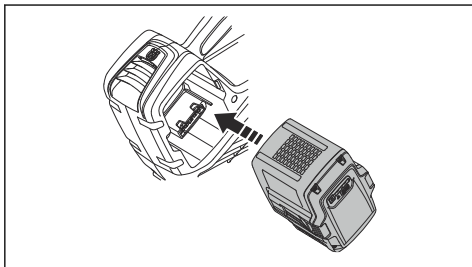
2. Conecte la batería al cargador. El LED de carga se enciende.
3. Cuando la batería esté completamente cargada, retírela del cargador. Presione el botón del indicador de la batería para ver su estado de carga. Cuando todas las luces LED se enciendan, se indica que la batería está completamente cargada.
4. Tire el enchufe para desconectar el cargador de baterías de la toma de corriente. No tire del cable de alimentación.

Para conectar la batería al producto



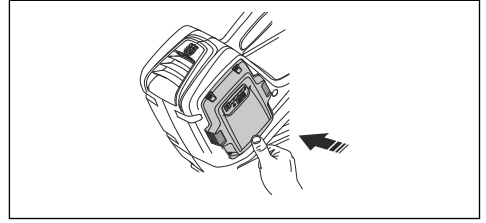
ADVERTENCIA: Solo utilice baterías originales Husqvarna en el producto.

1. Asegúrese de que la batería está totalmente cargada.
2. Deslice la batería en el soporte para batería del producto. La batería se debe deslizar con facilidad, si esto no ocurre, es porque está instalada correctamente.



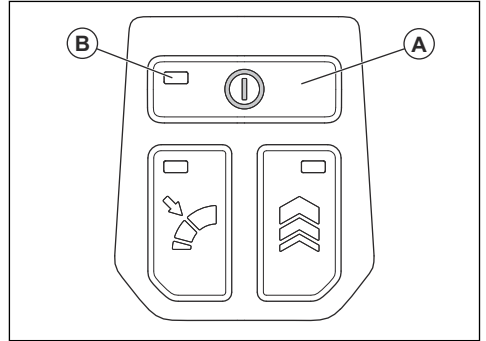
3. Presione la parte inferior de la batería e insértela lo máximo que se pueda hasta que entre en el compartimiento de la batería. La batería se ajustará adecuadamente cuando se escuche un clic.

4. Fíjese que los seguros estén instalados correctamente.



Para poner en marcha el producto

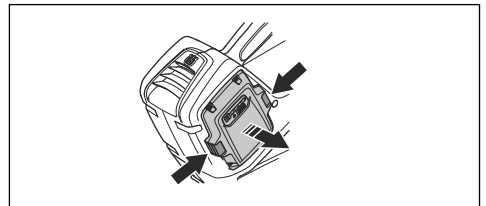
1. Mantenga presionado el botón de encendido (A) hasta que se encienda una luz LED de color verde (B).



2. Utilice el gatillo de alimentación para controlar la velocidad.

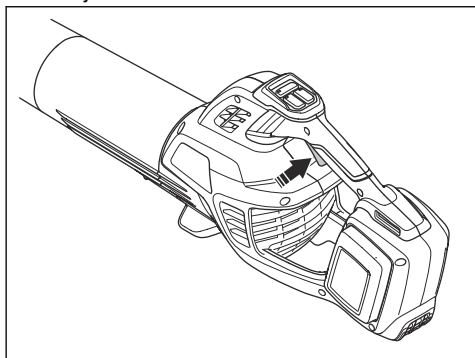
Para detener la máquina

1. Suelte el gatillo de alimentación.
2. Mantenga presionado el botón de encendido hasta que la luz LED verde se apague.
3. Quite la batería del producto. Presione los dos botones de liberación y extraiga la batería.

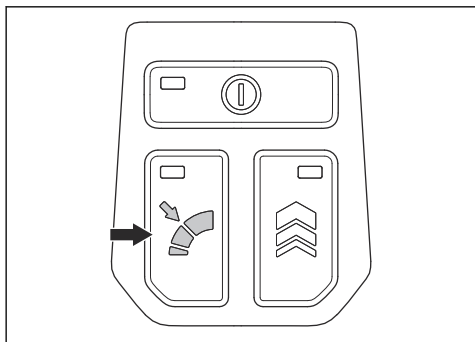


Para ajustar el flujo de aire óptimo para su trabajo

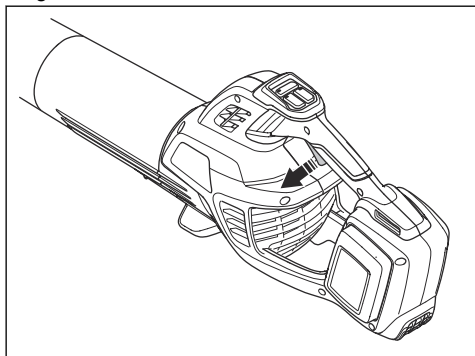
1. Presione el gatillo de alimentación y manténgalo en el flujo de aire óptimo para su trabajo.



2. Presione el botón de control de cruceo para establecer el flujo de aire seleccionado. La luz LED se enciende.



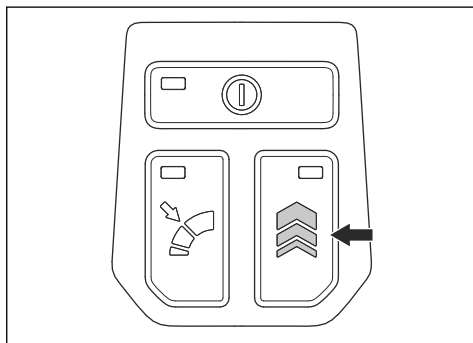
3. Siga operando el producto sin presionar el gatillo de alimentación.



4. Pulse el botón del control de cruceo nuevamente para detener la función del control de cruceo.

Para aumentar temporalmente el flujo de aire

1. Encienda el producto. Consulte *Para poner en marcha el producto en la página 57*.
2. Presione el botón de refuerzo de potencia para obtener el flujo de aire máximo. La luz LED se enciende.



3. Suelte el botón de refuerzo de potencia para utilizar el producto con el flujo de aire inicial.

Mantenimiento

Introducción

La siguiente es una lista de pasos de mantenimiento que se deben realizar en el producto.



ADVERTENCIA: Antes de realizar el mantenimiento, debe leer y entender el capítulo de seguridad.

Programa de mantenimiento

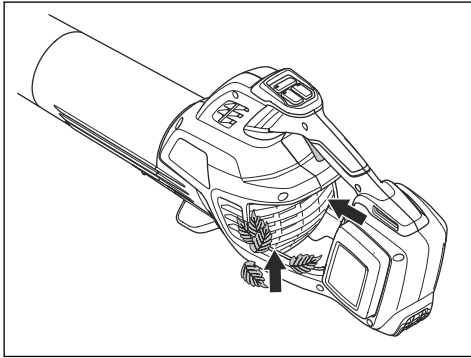


ADVERTENCIA: Retire la batería antes de realizar mantenimiento.

Mantenimiento	Diario	Una vez por semana	Una vez al mes
Limpie la parte exterior de la máquina con un paño limpio y seco. Nunca utilice agua.	X		
Mantenga los mangos secos, limpios y sin grasa ni aceite.	X		
Asegúrese de que el botón de encendido funcione correctamente y que no presente daños.	X		
Asegúrese de que el gatillo de alimentación funcione correctamente en relación con la seguridad.	X		
Revise que las tuercas y tornillos estén apretados.	X		
Compruebe que la batería esté intacta.	X		
Compruebe la carga de la batería.	X		
Compruebe que los botones de liberación de la batería funcionen y que fijen la batería a la máquina.	X		
Compruebe que el cargador esté intacto y operativo.	X		
Compruebe que todas las conexiones estén intactas y sin polvo.		X	
Compruebe las conexiones entre la batería y la máquina y también compruebe la conexión entre la batería y el cargador de la batería.			X

Para comprobar la toma de aire

1. Asegúrese de que la toma de aire no esté obstruida.



2. Detenga el producto y retire las hojas o el material no deseado si es necesario.



AVISO: Una toma de aire bloqueada disminuye la capacidad de soplado del producto y aumenta la temperatura de funcionamiento del motor. Si el motor se calienta

demasiado, se puede producir una falla del motor.

Para examinar la batería y el cargador de la batería

1. Examine la batería en busca de daños, tales como grietas.
2. Examine el cargador de la batería en busca de daños, tales como grietas.
3. Asegúrese de que el cable de conexión del cargador de batería no presente daños ni grietas.

Para limpiar el producto, la batería y el cargador de batería

1. Limpie el producto con un paño seco después del uso.
2. Limpie la batería y el cargador de la batería con un paño seco. Mantenga limpios los rieles de guía de la batería.
3. Asegúrese de que las terminales en la batería y en el cargador de la batería estén secos antes de que la batería se coloque en el cargador de la batería o en el producto.

Solución de problemas

Teclado

Teclado	Posibles fallas	Posible medida
Parpadeo de la luz LED de color verde	Batería baja.	Cargue la batería.

Batería

Estado	Posibles fallas	Procedimiento posible
El LED de advertencia de la batería parpadea.	Desviación de temperatura, la batería está demasiado fría o demasiado caliente para su uso.	Deje que la batería se enfríe o muévela al interior para calentarla. Cuando la batería tenga la temperatura correcta, se puede volver a utilizar. Utilice el cargador de baterías a temperaturas ambiente entre 14°F (-10°C) y 104°F (40°C).
	La batería está vacía.	Cargue la batería.

Estado	Posibles fallas	Procedimiento posible
El LED de advertencia de la batería se enciende.	Error permanente de la batería.	Consulte a su concesionario.

Cargador de la batería

Estado	Posibles fallas	Procedimiento posible
El LED de carga es de color rojo.	Error permanente del cargador de baterías.	Consulte a su concesionario.
El LED de carga parpadea en color verde.	Desviación de temperatura, la batería se encuentra demasiado fría o caliente para utilizarla o cargarla.	Deje que la batería se enfríe o se caliente. Cuando la batería tenga la temperatura correcta, se puede utilizar o cargar nuevamente. Utilice el cargador de la batería en niveles de temperatura ambiente de entre 5 °C (41 °F) y 40 °C (104 °F).
El LED de carga parpadea en color rojo.	Batería defectuosa	Comuníquese con su concesionario

Transporte, almacenamiento y eliminación de residuos

Transporte y almacenamiento

- Cumpla los requisitos de la Legislación de productos peligrosos aprobada sobre baterías de iones de litio.
- Siga los requisitos especiales sobre el embalaje y las etiquetas para transportes comerciales, incluidos los de terceros y transportistas.
- Comuníquese con una persona con capacitación especial sobre materiales peligrosos antes de enviar el producto. Siga todas las normas nacionales aplicables.
- Utilice cinta sobre los contactos abiertos cuando coloque la batería en un paquete. Coloque firmemente la batería en el paquete para evitar el movimiento.
- Retire la batería para almacenarla o transportarla.
- Coloque la batería y el cargador de la batería en un lugar seco, donde no haya humedad ni heladas.
- No mantenga la batería en un área donde pueda generarse electricidad estática. No mantenga la batería en una caja metálica.
- Guarde la batería en un lugar donde la temperatura oscile entre los 5 °C/41 °F y los 25 °C/77 °F, lejos de la luz solar directa.
- Coloque el cargador de la batería en un almacenamiento donde la temperatura esté entre los 5 °C/41 °F y 45 °C/113 °F, lejos de la luz solar directa.
- Utilice solamente el cargador de la batería cuando la temperatura ambiente esté entre 5 °C/41 °F y 40 °C/104 °F.
- Cargue la batería de un 30 % a un 50 % antes de almacenarla durante períodos prolongados.
- Almacene el cargador de la batería en un espacio cerrado y seco.
- Mantenga la batería lejos del cargador de la batería durante el almacenamiento. No permita que niños y otras personas sin autorización toquen el equipo. Mantenga el equipo en un espacio que pueda cerrar.
- Limpie el producto y realice un mantenimiento total antes de almacenarlo durante un período prolongado.
- Fije el producto de manera segura durante el transporte.

Eliminación

El símbolo significa que el producto no se debe desechar como residuo doméstico. Reciclelo a través del sistema de recolección local para equipos eléctricos y electrónicos. Esto contribuye a la gestión adecuada de los desechos al final de la vida útil. Comuníquese con las autoridades locales, los servicios de desechos domésticos, el concesionario o el distribuidor minorista para obtener información. La eliminación incorrecta puede tener posibles efectos negativos en el

medioambiente y la salud humana, debido a la posible presencia de sustancias peligrosas.



Tenga en cuenta: El símbolo se muestra en el producto o en el paquete del producto.

Datos técnicos

Datos técnicos

	350iB
Motor	
Tipo de motor	BLDC (sin escobillas), 36 V
Peso	
Peso sin la batería, kg / lb	2,8 / 6,2
Rendimiento del ventilador del propulsor	
Velocidad máxima de aire, m/s/mpH (con boquilla)	89,4/200
Volumen máximo de aire, m ³ /min/cfm	22,65 / 800
Fuerza de soplado, N	23,5
Límites de temperatura	
Temperatura ambiente para el funcionamiento, °F/°C	14–104/-10–40
Temperatura ambiente para almacenamiento, °F/°C	41-77/5-25

Baterías homologadas para el producto

Batería	40-B140	BLi22	BLi30	BLi200	BLi300
Tipo	iones de litio	iones de litio	iones de litio	iones de litio	iones de litio
Capacidad de la batería, Ah	4,0	4,2	7,7	5,0	9,0
Tensión nominal, V	36	36	36	36	36
Peso, kg/lb	1,2/2,7	1,3/2,9	1,9/4,2	1,3/2,9	1,9/4,2

Batería	40-B140	BLi22	BLi30	BLi200	BLi300
Tipo de cargador de batería	40-C80, QC250	40-C80, QC250	QC250	QC500	QC500

Cargadores de batería aprobados

Cargador de la batería	40-C80	QC250	QC500
Voltaje de entrada, V	100-240	100-240	100-240
Frecuencia, Hz	50-60	50-60	50-60
Potencia, W	80	250	500

Baterías homologadas para el producto

Batería	40-B140	BLi22	BLi30
Tipo	lones de litio	lones de litio	lones de litio
Capacidad de la batería, Ah	4,0	4,2	7,7
Tensión nominal, V	36	36	36
Peso, kg/lb	1,2/2,7	1,3/2,9	1,9/4,2
Tipo de cargador de batería	40-C80, QC250	40-C80, QC250	QC250

Cargadores de batería aprobados

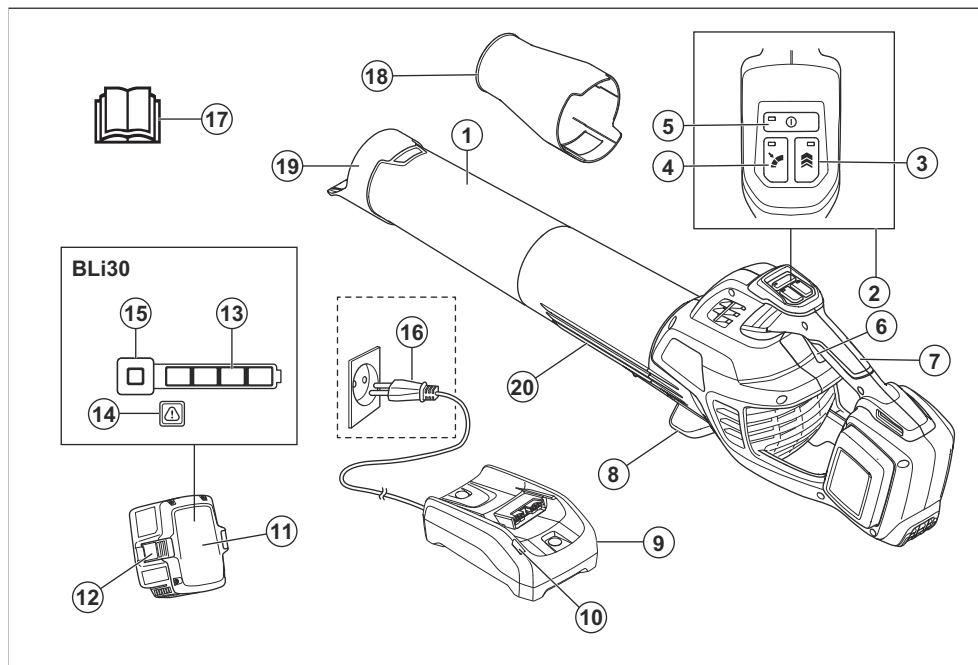
Cargador de la batería	QC250	40-C80
Voltaje de entrada, V	100-240	100-240
Frecuencia, Hz	50-60	50-60
Potencia, W	250	80

Conteúdo

Introdução.....	64	Manutenção.....	80
Segurança.....	68	Solução de problemas.....	81
Montagem.....	76	Transporte, armazenamento e descarte.....	82
OPERAÇÃO.....	77	Dados técnicos.....	83

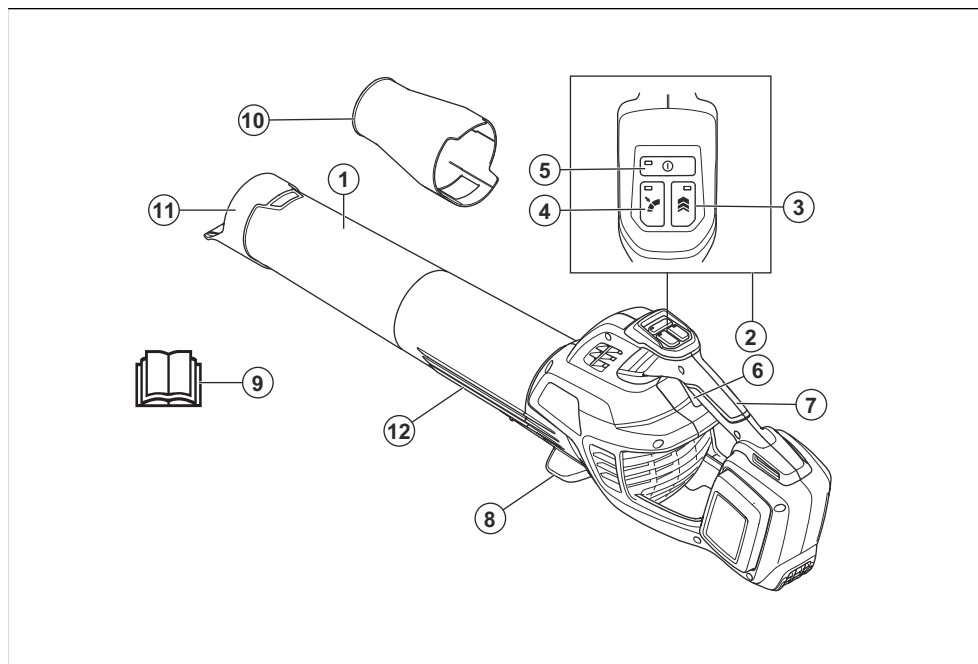
Introdução

Visão geral do produto



1. Tubo inferior
2. Teclado
3. Botão de reforço de energia
4. Piloto automático: Defina o fluxo de ar ideal para o seu trabalho
5. Botão de energia
6. Acionador
7. Manipulo
8. Suportes
9. Carregador de bateria (incluso somente no kit)
10. Indicador de potência e aviso
11. Bateria (inclusa somente no kit)
12. Botão de liberação da bateria
13. Indicador do status da bateria
14. Indicador de aviso (LED de erro)
15. Botão do indicador da bateria
16. Plugue da tomada
17. Manual do operador
18. Bocal de alta velocidade
19. Ferramenta do raspador
20. Tubo superior

Visão geral do produto



1. Tubo inferior
2. Teclado
3. Botão de reforço de energia
4. Piloto automático: Defina o fluxo de ar ideal para o seu trabalho
5. Botão de energia
6. Acionador
7. Manipulo
8. Suportes
9. Manual do operador
10. Bocal de alta velocidade
11. Ferramenta do raspador
12. Tubo superior

Descrição do produto

O Husqvarna 350iB é um modelo de soprador com motor elétrico.

Temos uma política de melhoria contínua de seus produtos e, portanto, reservamos o direito de modificar o projeto e a aparência de produtos sem aviso prévio.

Uso previsto

Este produto foi projetado para soprar folhas e outros detritos de gramados, vias, estradas asfaltadas e outros tipos.

Símbolos no produto



AVISO! Risco de ferimentos graves ou morte do operador ou de outras pessoas. Seja cuidadoso e use o produto corretamente.



Leia atentamente o manual do operador e entenda as instruções antes de operar o produto.



Ao operar o produto, use sempre proteção ocular aprovada.



Ao operar o produto, use sempre proteção auricular aprovada.



Use botas e luvas de proteção aprovadas. Use mangas compridas e calças.



Mantenha os cabelos acima dos ombros.



Não deixe, armazene ou use na chuva ou em condições úmidas.



Ao operar o produto, não use joias.



Corrente contínua.



O produto ou a sua embalagem não é lixo doméstico. Recicle-o em uma estação de reciclagem de equipamentos elétricos e eletrônicos.



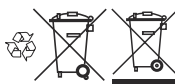
O operador do soprador deve se certificar de que nenhuma pessoa ou animal se aproxime a menos de 15 metros. Quando vários operadores estiverem trabalhando no mesmo local, será necessário respeitar uma distância de segurança de pelo menos 15 metros. O soprador pode forçar o arremesso de objetos que podem quicar de volta. Isso pode resultar em ferimentos graves nos olhos se o equipamento de segurança recomendado não for usado.



aaaa
ssxxxx

A etiqueta de tipo mostra o número de série. **aaaa** é o ano de produção, e **ss** é a semana de produção.

Símbolos na bateria



Recicle o produto em uma estação de reciclagem de equipamentos elétricos e eletrônicos.

Símbolos no produto



AVISO! Risco de ferimentos graves ou morte do operador ou de outras pessoas. Seja cuidadoso e use o produto corretamente.



Leia atentamente o manual do operador e entenda as instruções antes de operar o produto.



Ao operar o produto, use sempre proteção auricular aprovada.



Ao operar o produto, use sempre proteção ocular aprovada.



Use botas e luvas de proteção aprovadas. Use mangas compridas e calças.



Mantenha os cabelos acima dos ombros.



Não deixe, armazene ou use na chuva ou em condições úmidas.



Ao operar o produto, não use joias.



O operador do soprador deve se certificar de que nenhuma pessoa ou animal se aproxime a menos de 15 metros. Quando vários operadores estiverem trabalhando no mesmo local, será necessário respeitar uma distância de segurança de pelo menos 15 metros. O soprador pode forçar o arremesso de objetos que podem quicar de volta. Isso pode resultar em ferimentos graves nos olhos se o equipamento de segurança recomendado não for usado.

Corrente contínua.

aassxxxx

A etiqueta de tipo ou a impressão a laser mostra o número de série. **aa** é o ano de produção e **ss** é a semana de produção.

Observação: Outros símbolos/adesivos no produto se referem aos requisitos de certificação para algumas áreas comerciais.

Símbolos no carregador de bateria



Seja cuidadoso e use o produto corretamente. Este produto pode causar ferimentos graves ou morte do operador ou de outras pessoas.



Antes de usar, leia o manual do operador e certifique-se de ter entendido as instruções.



O produto está em conformidade com as diretivas CE aplicáveis.



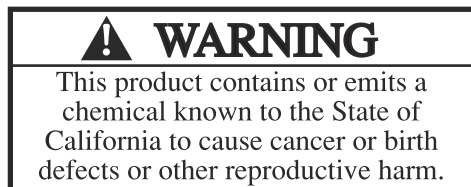
O produto ou a sua embalagem não é lixo doméstico. Recicle-o em um local de descarte adequado para equipamentos elétricos e eletrônicos.



Use e mantenha o carregador de bateria somente em ambientes fechados.

Observação: Outros símbolos/adesivos no carregador de bateria se referem aos requisitos de certificação para algumas áreas comerciais.

Proposta 65 da Califórnia



Assistência ao cliente

Para assistência ao cliente, ligue: 1-800-487-5951 ou visite www.usa.husqvarna.com.

Fabricante

Husqvarna Professional Products, Inc.

9335 Harris Corners Pkwy, Charlotte, NC 28269, USA

Danos ao produto

Não assumimos responsabilidade por danos ao nosso produto se:

- o produto seja reparado incorretamente.
- o produto seja reparado com peças que não sejam da marca do fabricante ou aprovadas pelo fabricante.
- o produto tenha um acessório que não seja da marca do fabricante ou não seja aprovado pelo fabricante.
- o produto não seja reparado em um centro de atendimento aprovado ou por uma autoridade aprovada.

Segurança

Definições de segurança

Avisos, cuidados e observações são utilizados para chamar a atenção para partes especialmente importantes do manual.



AVISO: Utilizado se existir um risco de ferimentos ou morte para o operador ou a terceiros se as instruções no manual não forem respeitadas.



CUIDADO: Utilizado se existir um risco de danos para o produto, outros materiais ou para a área adjacente, se as instruções no manual não forem respeitadas.

Observação: Utilizados para conferir mais informações necessárias em uma determinada situação.

INSTRUÇÕES DE SEGURANÇA IMPORTANTES



AVISO: Leia todos os avisos de segurança e as instruções. O não cumprimento dos avisos e das instruções pode causar choque elétrico, incêndio e/ou ferimentos graves.

Leia todas as instruções



AVISO: Ao usar equipamentos elétricos de jardinagem, siga sempre as precauções básicas de segurança para reduzir o risco de incêndio, choque elétrico e ferimentos, incluindo:

Avisos gerais de segurança da máquina



AVISO: Leia todos os avisos de segurança, instruções, ilustrações e especificações fornecidas com esta máquina. O não cumprimento de todas as instruções listadas abaixo pode causar choque elétrico, incêndio e/ou ferimentos graves.

Observação: Guarde todos os avisos e as instruções para consulta futura. O termo "máquina" nos avisos se refere à máquina operada pela rede elétrica (com fio) ou por bateria (sem fio).

Segurança da área de trabalho

- Mantenha a área de trabalho limpa e bem iluminada. Áreas desorganizadas ou escuras podem gerar acidentes.
- Não opere máquinas em atmosferas explosivas, como próximo a líquidos inflamáveis, gases ou poeira. As máquinas geram faíscas que podem inflamar poeira ou fumaça.
- Mantenha as crianças e os transeuntes à distância enquanto operar uma máquina. Distrações podem causar a perda de controle.

Segurança elétrica

- Os plugues da máquina devem ser compatíveis com a tomada. Nunca modifique o plugue de forma alguma. Não use adaptadores de tomada com máquinas aterradas. Plugues não modificados e tomadas compatíveis reduzirão o risco de choque elétrico.
- Evite que seu corpo entre em contato com superfícies aterradas ou fixas ao solo, como canos, radiadores, fogões e refrigeradores. O corpo pode atuar como uma conexão terra, aumentando o risco de choque elétrico.
- Não exponha as máquinas à chuva ou umidade. Entrada de água em uma máquina aumentará o risco de choque elétrico.
- Não force o cabo. Nunca use o cabo para transportar, puxar ou desligar a máquina.

Mantenha o cabo longe do calor, óleo, arestas vivas ou peças móveis. *Cabos danificados ou emaranhados aumentam o risco de choque elétrico.*

- **Ao operar uma máquina em área externa, use um cabo de extensão adequada para uso exterior.** *A utilização de um cabo adequado para área externa reduz o risco de choque elétrico.*
- **Caso seja inevitável operar uma máquina em local úmido, use uma fonte de alimentação protegida por um interruptor de circuito por falha de aterramento (GFCI).** *O uso de um GFCI reduz o risco de choque elétrico.*

Segurança pessoal

- **Fique alerta, preste atenção em suas ações e use o bom senso ao operar uma máquina. Não utilize a máquina se estiver cansado ou sob a influência de drogas, álcool ou medicamentos.** *Um momento de desatenção ao operá-la pode resultar em ferimentos graves.*
- **Use sempre equipamentos de proteção individual. Use sempre proteção ocular.** *Equipamentos de proteção individual, como máscara contra poeira, sapatos de segurança antiderrapantes, capacete ou proteção auricular, usados nas condições adequadas, diminuem o risco de ferimentos.*
- **Evite o acionamento acidental da máquina. Certifique-se de que o interruptor esteja na posição DESLIGADA antes de pegar, transportar ou conectar a ferramenta à fonte de alimentação e/ou à máquina.** *Transportar a máquina com o dedo no interruptor ou energizá-la com o interruptor ligado pode causar acidentes.*
- **Remova qualquer chave de ajuste ou chave antes de ligar a máquina.** *Uma chave de ajuste ou uma chave deixada presa a uma peça rotativa da máquina pode resultar em ferimentos.*
- **Não se estique demais. Mantenha-se sempre equilibrado, com os pés bem apoiados.** *Isso proporciona melhor controle da máquina em situações inesperadas.*
- **Vista-se com roupas apropriadas. Não use joias ou roupas folgadas. Mantenha os cabelos, roupas e luvas afastados das peças móveis.** *Roupas folgadas, joias ou cabelos compridos podem se prender nas peças móveis.*

- **Se os dispositivos estiverem previstos para a conexão de equipamentos de extração e coleta de poeira, garanta que estes fiquem conectados e usados da forma correta.** *O uso dos equipamentos de coleta pode reduzir os riscos relacionados à poeira.*
- **Não deixe que a familiaridade obtida com o uso frequente de ferramentas torne você complacente, ignorando os princípios de segurança.** *Uma ação descuidada pode causar ferimentos graves em uma fração de segundo.*
- **A emissão de vibração durante o uso real da máquina pode diferir do valor total declarado dependendo das formas como a máquina é usada.** Os operadores devem identificar medidas de segurança para se protegerem com base em uma estimativa de exposição nas condições reais de uso (levando em consideração todas as partes do ciclo operacional, como os momentos em que a máquina é desligada e quando está em marcha lenta, além do gatilho).

Uso e cuidados com a máquina

- **Não force a máquina. Use a máquina correta para a sua aplicação.** *A máquina correta fará um trabalho melhor e mais seguro conforme o uso para o qual ela foi concebida.*
- **Não use a máquina se o interruptor não a ligar e desligar.** *Qualquer máquina que não puder ser ligada, nem desligada, pelo interruptor, é perigosa e deverá ser reparada.*
- **Antes de fazer qualquer ajuste, trocar acessórios ou guardar a máquina, desconecte o plugue da fonte de alimentação e/ou remova o conjunto de baterias se possível.** *Estas medidas de segurança preventiva reduzem o risco de ativação acidental da máquina.*
- **Guarde as máquinas fora do alcance de crianças e não permita que pessoas não familiarizadas com elas ou com estas instruções as operem.** *Máquinas são perigosas nas mãos de pessoas destreinadas.*
- **Faça a manutenção das máquinas e dos acessórios.** Verifique se há desalinhamento ou agarramento das peças móveis, quebra de peças e quaisquer outras condições que possam afetar a operação da máquina. Se a máquina estiver danificada, repare-a antes

de usar. Muitos acidentes são causados por máquinas com manutenção inadequada.

- **Mantenha as máquinas de corte afiadas e limpas.** Com a manutenção apropriada, as máquinas de corte com arestas afiadas ficam menos propensas a agarramentos e são mais fáceis de controlar.
- **Use a máquina, acessórios e ferramentas, etc., de acordo com estas instruções, levando em consideração as condições de trabalho e o trabalho a ser executado.** O uso da máquina em operações diferentes das originais pode resultar em uma situação de perigo.
- **Mantenha as alças e as superfícies de agarramento secas, limpas e livres de óleo e graxa.** Alças e superfícies de agarramento escorregadias não permitem o manuseio seguro e o controle da máquina em situações inesperadas.

Uso e cuidados com as ferramentas a bateria

- **Recarregue somente com o carregador especificado pelo fabricante.** Um carregador adequado para um tipo de bateria pode gerar risco de incêndio quando usado com outro tipo de bateria.
- **Utilize máquinas somente com baterias especificamente designadas.** O uso de qualquer outra bateria pode gerar risco de ferimentos e incêndio.
- **Quando as baterias não estão em uso, mantenha-as longe de objetos de metal, como cliques de papel, moedas, chaves, pregos, parafusos ou outros pequenos objetos de metal que podem fazer uma conexão entre terminais.** O curto-circuito dos terminais da bateria pode causar queimaduras ou incêndio.
- **Em condições abusivas, um líquido pode ser ejetado da bateria; evite contato.** Se ocorrer contato acidental, lave com água corrente. Se o líquido entrar em contato com os olhos, procure ajuda médica. O líquido ejetado da bateria pode causar irritações ou queimaduras.
- **Não use baterias ou ferramentas danificadas ou alteradas.** Baterias danificadas ou alteradas podem apresentar comportamento imprevisível, resultando em incêndio, explosão ou risco de ferimentos.
- **Não exponha a bateria ou ferramenta ao fogo ou a temperaturas excessivas.** A exposição

ao fogo ou temperaturas acima de 130 °C (265 °F) pode causar explosão.

- **Siga todas as instruções de carregamento e não carregue a bateria ou a ferramenta fora da faixa de temperatura especificada nas instruções.** O carregamento inadequado ou em temperaturas fora da faixa especificada pode danificar a bateria e aumentar o risco de incêndio.

Serviço

- **Reparos da máquina devem ser executados por uma pessoa qualificada usando apenas peças sobressalentes idênticas.** Isso garantirá a manutenção segura da máquina.
- **Nunca faça a manutenção de baterias danificadas.** A manutenção de pacotes de baterias só deve ser realizada pelo fabricante ou pelos prestadores de serviço autorizados.

Avisos de segurança do soprador de folhas

- **Não use o soprador de folhas em condições climáticas adversas, principalmente quando houver risco de raios.** Isso diminui o risco de ser atingido por raios.
- **Use proteção ocular e auricular.** Equipamentos de proteção adequados reduzirão o risco de ferimentos graves.
- **Ao operar o soprador de folhas, use sempre calçados de proteção antiderrapantes.** Não opere o soprador de folhas descalço ou usando sandálias abertas. Isso reduz o risco de ferimentos nos pés.
- **Não use roupas folgadas ou artigos como lenços, cordas, correntes, gravatas, etc., pois podem ser puxados para as entradas de ar.** Prenda ou cubra os cabelos longos para garantir que não sejam puxados para dentro das entradas de ar. Se algum desses itens for puxado para dentro das entradas de ar, poderá aumentar o risco de ferimentos.
- **Ao operar a máquina, mantenha as pessoas afastadas.** Detritos arremessados podem aumentar o risco de ferimentos.
- **Nunca aponte o bico do soprador para pessoas ou animais de estimação nem para as janelas.** Tenha muito cuidado ao soprar detritos perto de objetos sólidos, como árvores, automóveis e paredes, pois podem fazer com que eles ricocheteiem. *Objetos*

arremessados podem danificar os bens e aumentar o risco de ferimentos.

- **Não use o soprador de folhas para soprar nada que esteja em chamas ou fumaça, como cigarros, fósforos ou cinzas.** *Essas fontes de ignição podem aumentar o risco de incêndio.*
- **Não toque no ventilador enquanto ainda estiver em movimento. Antes de remover qualquer peça que possa dar acesso ao ventilador, desligue o soprador de folhas e aguarde até que o ventilador pare.** *Isso reduz o risco de ferimentos causados por peças móveis.*
- **Ao limpar o material preso ou fazer a manutenção do soprador de folhas, certifique-se de que o interruptor de energia esteja desligado.** *A partida inesperada da máquina ao limpar o material preso ou fazer a manutenção pode resultar em ferimentos graves.*

Instruções gerais de segurança



AVISO: Antes de usar o produto, leia as instruções de aviso que seguem.

- O uso incorreto ou descuidado do produto pode transformá-lo em um objeto perigoso que pode causar ferimentos graves ou até mesmo fatais ao operador ou outras pessoas. Leia e compreenda o conteúdo deste manual do operador.
- O design do produto não pode ser modificado em nenhuma circunstância sem a permissão do fabricante. Nunca use um produto cuja especificação original tenha sido modificada e use sempre acessórios originais. Modificações e/ou acessórios não autorizados podem resultar em ferimentos graves ou mesmo a morte do operador e de outras pessoas. Sua garantia pode não cobrir danos ou falhas causados pelo uso de acessórios não autorizados ou peças sobressalentes.
- Este produto produz um campo eletromagnético durante a operação. Sob certas circunstâncias esse campo poderá interferir com implantes médicos de natureza ativa ou passiva. Para reduzir o risco de ferimentos graves ou fatais, recomendamos que as pessoas que tenham implantes

médicos consultem seu médico e o fabricante do implante antes de operar este produto.

- Remova a bateria do produto durante o carregamento.

Instruções de segurança para operação

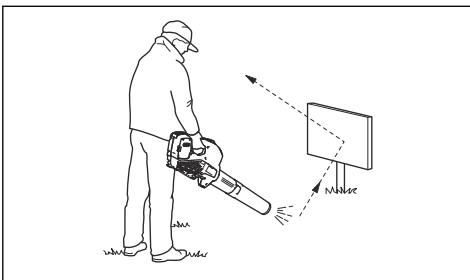


AVISO: Antes de usar o produto, leia as instruções de aviso que seguem.

- Caso se depare com uma situação em que não tenha certeza de como proceder, pergunte a um especialista. Entre em contato com seu revendedor ou oficina de serviço. Evite todo uso que considere estar além de sua capacidade.
- Nunca use o produto sob condições climáticas adversas, como neblina, chuva, vento forte, frio intenso, etc.
- Não permita que crianças utilizem ou fiquem perto do produto. Como o produto é fácil de usar, crianças podem começar a usá-lo se não estiverem sob vigilância total. Isso pode significar risco de ferimentos pessoais graves. Desconecte a bateria quando o produto não estiver sob supervisão.
- Certifique-se de que nenhuma pessoa ou animal chegue a menos de 15 m (50 pés) enquanto você trabalha. Quando vários operadores estiverem trabalhando na mesma área, a distância de segurança deverá ser de, pelo menos, 15 metros. Caso contrário, há risco de ferimentos pessoais graves. Pare o produto imediatamente se alguém se aproximar. Nunca balance o produto sem antes verificar atrás de você para ter certeza de que não há ninguém na zona de segurança.
- Certifique-se de que consiga se mover e ficar de pé com segurança. Verifique a área ao seu redor em busca de possíveis obstáculos (raízes, pedras, galhos, valas, etc.) caso precise se mover repentinamente. Tome muito cuidado ao trabalhar em terrenos em declive.
- Mantenha um bom equilíbrio e uma posição firme em todos os momentos. Não se estique demais.
- Quando estiver usando proteção auricular, você deverá escutar sinais de aviso ou gritos.

Remova sempre a proteção auricular assim que o produto parar.

- Demonstre consideração às pessoas ao seu redor evitando usar o produto em horários inadequados, como tarde da noite ou de manhã cedo. Siga as diretrizes e regulamentações locais.
- Use o produto no nível aceleração mais baixo possível. Raramente é necessário usar fluxo de ar total, e muitos procedimentos de trabalho podem ser realizados com fluxo de ar intermediário. Um fluxo de ar mais baixo evita ruídos altos e dispersão de poeira, além de facilitar o controle do lixo reunido/movido.
- Use um ancinho ou uma escova para liberar o lixo preso no solo.
- Mantenha a abertura do soprador o mais próximo possível do solo.
- Observe os arredores. Direcione o produto para longe de pessoas, animais, áreas de lazer, carros, etc.
- Minimize o tempo de sopro umedecendo levemente as áreas empoeiradas ou usando equipamento de spray.
- Atente-se à direção do vento. Use a direção do vento para facilitar seu trabalho.
- Se começar a vibrar de forma anormal, pare o produto e remova a bateria.
- O uso do soprador para mover grandes pilhas de resíduos consome tempo e produz ruídos desnecessários.
- Limpe-o em seguida. Certifique-se de não ter soprado lixo para o jardim de outra pessoa.
- Não corra com o produto.
- As fortes correntes de ar podem mover objetos a uma velocidade alta o suficiente para jogá-los para trás e causar ferimentos oculares graves.



- Não direcione o fluxo de ar a pessoas ou animais.

- Antes de montar ou desmontar acessórios ou outras peças, desligue o motor.
- Mantenha todas as partes de seu corpo longe das superfícies quentes.
- Nunca abaixe o produto quando estiver em funcionamento, a menos que ele esteja claramente à sua vista.
- O soprador não deve ser usado em uma escada ou andaime.



- Não use o produto se não tiver meios para pedir ajuda em caso de acidente.
- Cuidado com objetos arremessados. Pedras, lixo, etc. podem ser arremessados na direção dos olhos, causando cegueira ou ferimentos graves.
- Use um dispositivo para corrente residual, ou RCI (Residual-Current Device), para maior segurança. A finalidade do dispositivo para corrente residual é proteger os operadores caso ocorra uma falha elétrica.
- Este produto é conhecido por sua carga de baixa vibração. A sobre-exposição à vibração pode causar danos circulatórios ou nervosos em pessoas com problemas de circulação. Entre em contato com o seu médico se sentir sintomas de sobre-exposição à vibração. Esses sintomas incluem dormência, perda de sensibilidade, formigamento, pontadas, dor, perda de força, e alterações na cor ou na condição da pele. Estes sintomas normalmente aparecem nos dedos, nas mãos ou nos pulsos.
- Use o produto apenas para a finalidade à qual foi destinado.
- Não é possível cobrir todas as situações imagináveis que poderá enfrentar. Tenha sempre cuidado e use o bom senso. Evite todas as situações que considere estar além da sua capacidade. Caso ainda não tenha certeza sobre os procedimentos operacionais

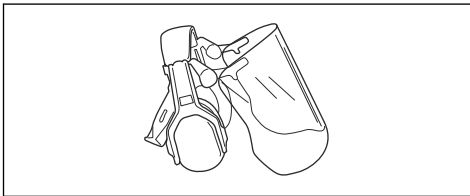
depois de ler estas instruções, consulte um especialista antes de continuar.

Equipamento de proteção individual



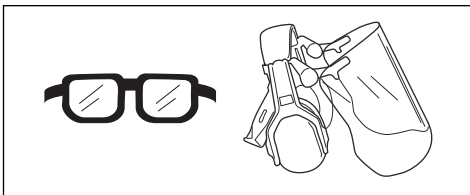
AVISO: Antes de usar o produto, leia as instruções de aviso que seguem.

- Ao operar o produto, use sempre equipamentos de proteção individual aprovados. O equipamento de proteção individual não evita totalmente ferimentos, mas diminui a gravidade do ferimento em caso de acidente. Deixe seu revendedor ajudar a escolher o equipamento certo.
- A exposição prolongada ao ruído pode causar danos à audição. Em geral, produtos alimentados por bateria são relativamente silenciosos, mas danos podem resultar de uma combinação de nível de ruído e uso prolongado. A Husqvarna recomenda que os operadores utilizem proteções auriculares ao utilizar produtos por um período mais longo do dia. Usuários contínuos e regulares devem fazer exames auditivos regularmente.

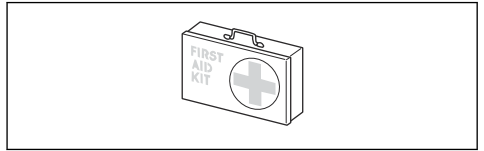


AVISO: Proteções auriculares limitam a capacidade de ouvir sons e sinais de alerta.

- Use proteção ocular aprovada. Caso use uma viseira, também deverá usar óculos de proteção aprovados. Os óculos de proteção aprovados devem estar em conformidade com a norma ANSI Z87.1 nos EUA ou EN 166 nos países europeus.



- Use roupas de tecido resistente. Use sempre calças compridas e resistentes, além de mangas compridas. Não use roupas largas que possam ficar presas em galhos e ramos. Não use joias, calças curtas e sandálias e não ande descalço. Prenda os cabelos de forma segura acima dos ombros.
- Mantenha o equipamento de primeiros socorros nas proximidades.



- Uma máscara respiratória deve ser usada quando houver risco de poeira.

Dispositivos de segurança no produto



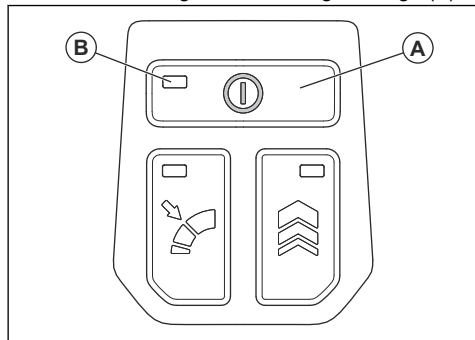
AVISO: Antes de usar o produto, leia as instruções de aviso que seguem.

- Esta seção descreve os recursos de segurança do produto, sua finalidade e como as verificações e a manutenção devem ser realizadas para garantir o funcionamento correto. Veja as instruções sob o título *Introdução na página 64* para descobrir onde essas peças estão localizadas no seu produto.
- A vida útil do produto pode ser reduzida e o risco de acidentes aumentar, caso a manutenção do produto não seja executada corretamente e os serviços e/ou reparos não sejam efetuados de maneira profissional. Caso precise de mais informações, entre em contato com o revendedor de serviços mais próximo.
- Nunca use um produto com componentes de segurança danificados. O equipamento de segurança do produto deve ser verificado e mantido conforme descrito nesta seção. Se o seu produto for reprovado em qualquer uma dessas verificações, entre em contato com o seu agente de serviço para fazer o reparo.
- Toda a manutenção e trabalhos de reparo no produto requerem treinamento especial. Essas informações se referem especificamente ao equipamento de segurança do produto. Se o seu produto for

reprovado em qualquer uma das verificações descritas abaixo, entre em contato com o seu agente de serviço. Ao comprar qualquer um dos nossos produtos, garantimos a disponibilidade de reparos e manutenção. Se o revendedor que vendeu seu produto não for um de nossos representantes autorizados, peça o endereço da sua oficina autorizada mais próxima.

Como verificar o teclado

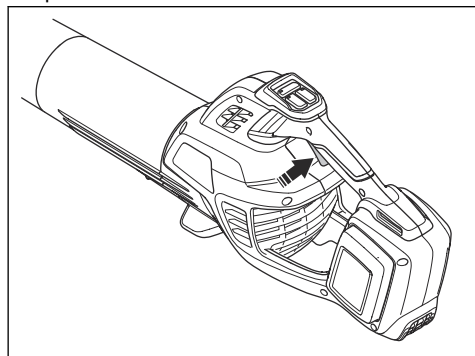
- Pressione e segure o botão Liga/Desliga (A).



- a) O produto está ligado quando o LED (B) está aceso.
- b) O produto está desligado quando o LED (B) está apagado.

Como verificar o acionador

- Pressione e solte o acionador para garantir que ele se mova livremente.



Cuidados com a bateria



AVISO: Antes de usar o produto, leia as instruções de aviso que seguem.

- Use apenas bateria recarregável Husqvarna aprovada. Consulte *Dados técnicos na página 83*. A bateria é criptografada por software.
- Use somente bateria Husqvarna recarregável como fonte de alimentação para produtos Husqvarna somente. Para evitar ferimentos, não use a bateria como fonte de alimentação para outros dispositivos.
- Risco de choque elétrico. Não conecte os terminais da bateria a chaves, moedas, parafusos ou outros metais. Isso pode causar um curto-circuito na bateria.
- Não utilize pilhas não recarregáveis.
- Não coloque objetos nas aberturas de ar da bateria.
- Mantenha a bateria longe da luz solar, do calor ou de chamas abertas. A bateria pode causar queimaduras e/ou queimaduras químicas.
- Mantenha a bateria longe da chuva e de condições úmidas.
- Mantenha a bateria longe de micro-ondas e de alta pressão.
- Não tente desmontar ou quebrar a bateria.
- Se a bateria vazar, não deixe o líquido entrar em contato com seu corpo ou olhos. Caso tenha tocado no líquido, lave a área com bastante água e sabão e procure ajuda médica. Se entrar líquido nos olhos, não esfregue, mas lave com água por pelo menos 15 minutos e procure ajuda médica.
- Use a bateria em temperaturas entre 14 °F (-10 °C) e 114 °F (40 °C).
- Não limpe a bateria ou o carregador de bateria com água. Consulte *Para limpar o produto, a bateria e o carregador da bateria na página 81*.
- Não use uma bateria danificada ou que não funcione corretamente.
- Mantenha as baterias armazenadas longe de objetos metálicos, como pregos, parafusos ou joias.
- Mantenha a bateria fora do alcance de crianças.

Segurança do carregador de bateria



AVISO: Antes de usar o produto, leia as instruções de aviso que seguem.

- Risco de choque elétrico ou curto-circuito se as instruções de segurança não forem obedecidas.
- Utilize uma tomada elétrica com aterramento aprovada e que não esteja danificada.
- Use somente carregadores de marca Husqvarna.
- Não tente desmontar o carregador de bateria.
- Não levante o carregador de bateria pelo cabo de alimentação. Para desconectar o carregador de bateria da tomada elétrica, puxe o plugue. Não puxe o cabo de alimentação.
- Mantenha todos os cabos e cabos de extensão longe de água, óleo e bordas afiadas. Certifique-se de que o cabo não esteja preso entre portas, cercas ou equivalentes.
- Não use o carregador de bateria próximo a materiais inflamáveis ou materiais que possam causar corrosão. Certifique-se de que o carregador de bateria não esteja coberto. Em caso de fumaça ou fogo, desconecte o plugue do carregador de bateria da tomada.
- Carregue a bateria somente em ambientes internos com bom fluxo de ar e longe da luz solar. Não carregue a bateria em ambientes externos. Não carregue a baterias em condições úmidas.
- Use o carregador de bateria somente quando a temperatura ambiente estiver entre 41 °F (5 °C) e 104 °F(40 °C). Use o carregador em um ambiente com um bom fluxo de ar, seco e livre de poeira.
- Não coloque objetos nas ranhuras de resfriamento do carregador de bateria.
- Não conecte os terminais do carregador de bateria a objetos de metal, pois isso pode provocar curto-circuito no carregador.
- Utilize tomadas de parede aprovadas e que não estejam danificadas.
- Verifique regularmente se o cabo de alimentação não está danificado. Se o cabo de alimentação estiver danificado, desconecte imediatamente o carregador de bateria.

- Se o cabo de alimentação estiver danificado, troque.
- Mantenha o carregador de bateria longe de crianças.
- Não use um carregador de bateria danificado ou que não esteja funcionando corretamente.
- Não use o carregador de bateria quando houver risco de raios.
- Não opere o carregador de bateria com as mãos molhadas.
- Este aparelho pode ser usado por crianças a partir de 8 anos de idade e por pessoas com capacidades físicas, sensoriais ou mentais reduzidas ou com falta de experiência e conhecimento, desde que tenham recebido supervisão ou instruções sobre o uso do aparelho de forma segura e entendam os perigos envolvidos. Crianças não devem brincar com o aparelho. A limpeza e a manutenção do usuário não devem ser feitas por crianças sem supervisão.

Instruções de segurança para manutenção



AVISO: Leia as instruções de advertência a seguir antes de fazer manutenção no produto.

- Remova a bateria antes de fazer manutenção, outras verificações ou montar o produto.
- O operador deve realizar somente a manutenção e os serviços mostrados neste manual do operador. Para obter manutenção e reparos mais complexos, procure seu revendedor de serviços.
- Para garantir que o produto esteja em condições de trabalho seguras, mantenha todas as porcas e parafusos apertados.
- Substitua as peças desgastadas ou danificadas.
- Caso não faça a manutenção, a vida útil do produto diminuirá, e o risco de acidentes aumentará.
- É necessário treinamento especial para todos os trabalhos de manutenção e reparo, especialmente para os dispositivos de segurança do produto. Se nem todas as verificações neste manual do operador forem aprovadas após a manutenção, entre

em contato com seu revendedor de serviços. Garantimos que há reparos e serviços profissionais disponíveis para seu produto.

- Use sempre peças sobressalentes originais.

GUARDE ESTAS INSTRUÇÕES!

Montagem

Introdução

Esta seção descreve como montar e ajustar o produto.

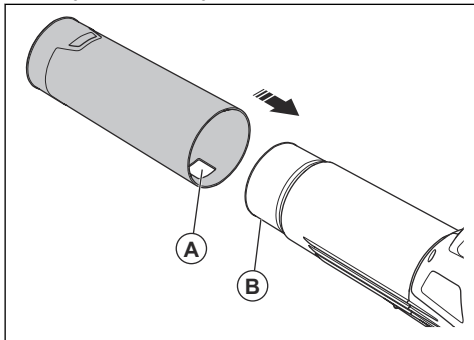


AVISO: Antes de montar o produto, leia o capítulo de segurança e as instruções de montagem.

Como montar os tubos do soprador

Observação: Para facilitar a montagem, aplique lubrificante à base de água na extremidade dos tubos.

- Prenda o tubo inferior no tubo superior até que a aba (B) entre no orifício (A). Certifique-se de que o tubo inferior e o tubo superior estejam travados juntos.

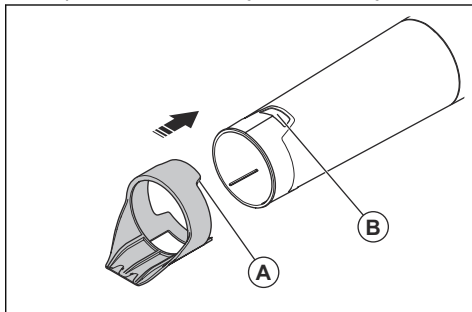


- Para obter uma velocidade de ar mais alta, conecte o bico de alta velocidade ao bico do soprador.

Como prender a ferramenta do raspador

A ferramenta do raspador pode ser usada para soltar os discos e outros materiais indesejados para facilitar a limpeza.

- Prenda a ferramenta do raspador no tubo inferior até que a aba (A) entre no orifício (B). Certifique-se de que a ferramenta do raspador e o tubo estejam travadas juntas.

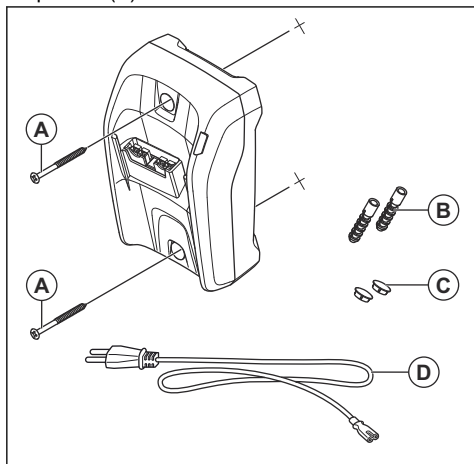


Como instalar o carregador de bateria na parede



CUIDADO: Não use uma chave de fenda elétrica para instalar o carregador de bateria na parede. Uma chave de fenda elétrica pode causar danos ao carregador de bateria.

1. Instale o carregador de bateria na parede com os 2 parafusos (A). Use plugues de parede (B) se necessário.



2. Instale os 2 plugues do orifício do parafuso (C).
3. Conecte o cabo de alimentação (D) ao carregador de bateria e a uma tomada elétrica.

OPERAÇÃO

Introdução



AVISO: Leia e compreenda o capítulo sobre segurança antes de usar o produto.

Como verificar a função antes de usar o produto

1. Verifique a entrada de ar quanto a sujeira e rachaduras. Use uma escova e limpe a grama e as folhas do produto.
2. Certifique-se de que o produto funcione corretamente.
3. Verifique todas as porcas e parafusos e certifique-se de que estejam apertados.

Como conectar o carregador de bateria



AVISO: Use o carregador de bateria somente onde a temperatura esteja entre 41°F (5°C) e 104°F (40°C).

1. Conecte o carregador à tensão e frequência indicadas na etiqueta de tipo especificada.
2. Conecte o plugue em uma tomada aterrada. O LED no carregador de bateria pisca em vermelho 1 vez e em verde 1 vez.

Carregar a bateria



CUIDADO: Certifique-se de que a bateria, o carregador de bateria e os terminais da bateria estejam limpos e secos. Não coloque a bateria no carregador se ela estiver suja ou molhada.

1. Conecte o carregador de bateria a uma tomada. O LED de carregamento pisca em vermelho 1 vez e em verde 1 vez.



CUIDADO: Conecte o carregador de bateria somente a uma tomada elétrica com a voltagem e a frequência especificadas na placa de identificação.

2. Conecte a bateria ao carregador de bateria. O LED de carregamento acende.
3. Remova a bateria do carregador quando ela estiver totalmente carregada. Pressione o botão indicador da bateria para verificar o status da bateria. Quando todos os indicadores LED acenderem, a bateria estará totalmente carregada.

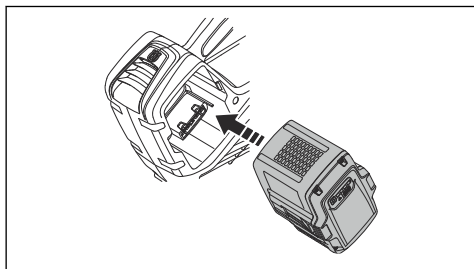
4. Puxe o plugue de alimentação para desconectar o carregador de bateria da tomada. Não puxe o cabo de alimentação.

Como conectar a bateria ao produto

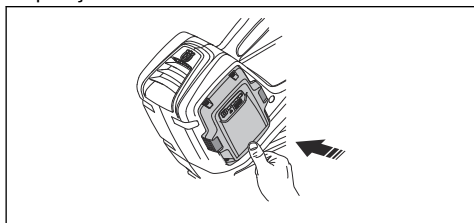


AVISO: Use somente baterias originais Husqvarna no produto.

1. Certifique-se de que a bateria esteja totalmente carregada.
2. Deslize a bateria para dentro do suporte do produto. A bateria deve deslizar facilmente, caso contrário, não estará instalada corretamente.

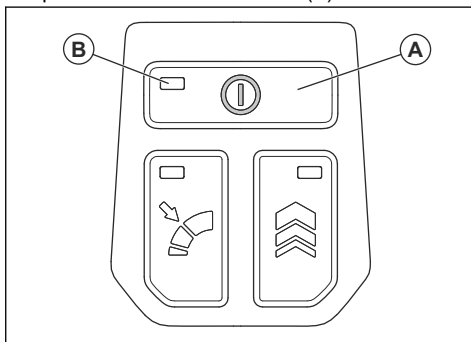


3. Pressione a parte inferior da bateria e empurre-a o máximo possível para dentro do compartimento. Ao ouvir um clique, a bateria ficará travada na posição.
4. Certifique-se de que as travas fiquem na posição correta.



Como dar a partida no produto

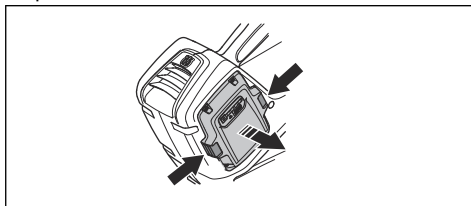
1. Pressione e segure o botão Liga/Desliga até que o LED verde se acenda (B).



2. Use o acionador para controlar a velocidade.

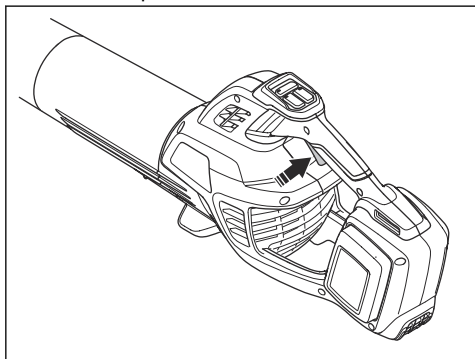
Como parar o produto

1. Solte o acionador.
2. Pressione e segure o botão Liga/Desliga até que o LED verde se acenda.
3. Remova a bateria do produto. Pressione os dois botões de liberação e puxe a bateria para fora.

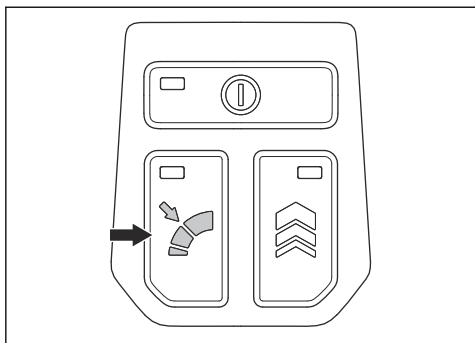


Como definir o fluxo de ar ideal para o seu trabalho

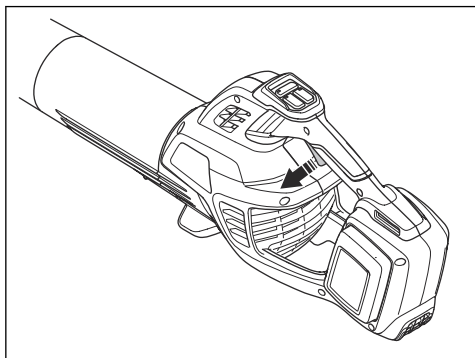
1. Empurre o acionador e mantenha-o no fluxo de ar ideal para o seu trabalho.



2. Para ajustar o fluxo de ar selecionado, pressione o botão do piloto automático. O LED se acende.



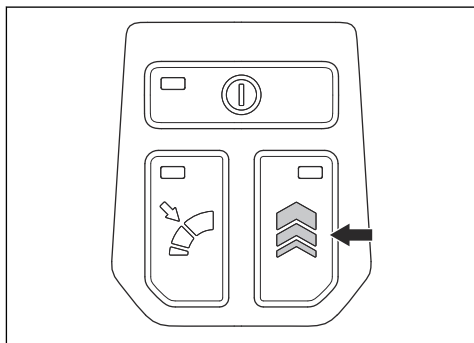
3. Continue a operar o produto sem pressionar o acionador.



4. Para interromper a função do piloto automático, pressione o botão do piloto automático novamente.

Como aumentar temporariamente o fluxo de ar

1. Ligue o produto. Consulte *Como dar a partida no produto na página 78*.
2. Para obter o fluxo de ar máximo, pressione o botão de aumento de potência. O LED se acende.



3. Para usar o produto com o fluxo de ar inicial, solte o botão de aumento de potência.

Manutenção

Introdução



AVISO: Antes de executar qualquer trabalho de manutenção, você deve ler e entender o capítulo sobre segurança.

Cronograma de manutenção



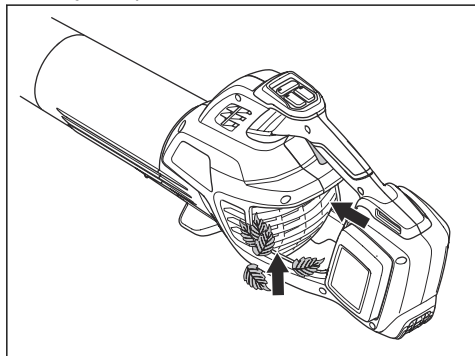
AVISO: Remova a bateria antes de fazer a manutenção.

A seguir está uma lista das etapas de manutenção que devem ser seguidas para o produto.

Manutenção	Diariamente	Semanalmente	Mensalmente
Limpe a parte externa da máquina com um pano limpo e seco. Nunca use água.	X		
Mantenha as alças secas, limpas e livres de óleo e graxa.	X		
Verifique se o botão Liga/Desliga funciona corretamente e se não está danificado.	X		
Certifique-se de que o acionador esteja funcionando corretamente em relação à segurança.	X		
Verifique se as porcas e os parafusos estão apertados.	X		
Verifique se a bateria está intacta.	X		
Verifique a carga da bateria.	X		
Certifique-se de que os botões de liberação da bateria funcionem e travem a bateria na máquina.	X		
Verifique se o carregador de bateria está intacto e funcionando.	X		
Verifique se todas as conexões estão intactas e livres de sujeira.		X	
Verifique as conexões entre a bateria e a máquina e também verifique a conexão entre a bateria e o carregador de bateria.			X

Como verificar a entrada de ar

1. Certifique-se de que a entrada de ar não esteja bloqueada.



2. Pare o produto e remova folhas ou materiais indesejados se necessário.



CUIDADO: Uma entrada de ar bloqueada diminui a capacidade de sopro do produto e aumenta a temperatura de trabalho do motor.

Se o motor ficar muito quente, poderá falhar.

Para examinar a bateria e o carregador de bateria

1. Examine a bateria em busca de danos, como rachaduras.
2. Examine o carregador de bateria para verificar se há danos, como rachaduras.
3. Certifique-se de que o cabo de conexão do carregador de bateria não esteja danificado e que não haja rachaduras.

Para limpar o produto, a bateria e o carregador da bateria

1. Limpe o produto com um pano seco após o uso.
2. Limpe a bateria e o carregador da bateria com um pano seco. Mantenha os trilhos da guia da bateria limpos.
3. Certifique-se de que os terminais na bateria e no carregador da bateria estejam limpos antes de colocar a bateria no carregador ou no produto.

Solução de problemas

Teclado

Teclado	Possíveis falhas	Ação possível
LED verde piscando	Bateria fraca.	Carregar a bateria.

Bateria

Condição	Possíveis falhas	Procedimento possível
O LED de aviso da bateria pisca.	Desvio de temperatura, a bateria está muito fria ou muito quente para ser usada.	Deixe a bateria esfriar ou mova-a para dentro para aquecê-la. Quando a bateria tiver a temperatura correta, ela poderá ser usada novamente. Use a bateria em temperaturas ambientes entre 14°F (-10°C) e 104°F (40°C).
	A bateria está vazia.	Carregar a bateria.
O LED de aviso da bateria se acende.	Erro permanente da bateria.	Fale com o revendedor.

Carregador de bateria

Condição	Possíveis falhas	Procedimento possível
O LED de carregamento está aceso em vermelho.	Erro permanente do carregador de bateria.	Fale com o revendedor.
O LED de carregamento pisca em verde.	Desvio de temperatura, a bateria está muito fria ou muito quente para ser usada ou carregada.	Deixe a bateria esfriar ou aqueça-a. Quando a bateria tiver a temperatura correta, ela poderá ser usada ou carregada novamente. Use o carregador de bateria em temperaturas entre 41 °F (5 °C) e 104 °F (40 °C).
O LED de carregamento pisca em vermelho.	Bateria com defeito	Fale com seu revendedor

Transporte, armazenamento e descarte

Transporte e armazenamento

- Obedeça aos requisitos aprovados da Legislação sobre produtos perigosos de íons de lítio.
- Obedeça aos requisitos especiais no pacote e rótulos para transportes comerciais, incluindo terceiros e agentes de encaminhamento.
- Fale com uma pessoa com treinamento especial em materiais perigosos antes de enviar o produto. Obedeça a todas as regulamentações nacionais aplicáveis.
- Use fita adesiva nos contatos abertos ao colocar a bateria em um pacote. Coloque a bateria no pacote com firmeza para impedir o movimento.
- Remova a bateria para armazenamento ou transporte.
- Coloque a bateria e o carregador de bateria em um espaço seco e livre de umidade e geada.
- Não mantenha a bateria em uma área onde possa ocorrer eletricidade estática. Não mantenha a bateria em uma caixa de metal.
- Armazene a bateria onde a temperatura esteja entre 41 °F (5 °C) e 77 °F (25 °C) e longe da luz solar direta.
- Armazene o carregador de bateria onde a temperatura esteja entre 41 °F (5 °C) e 113 °F (45 °C) e longe da luz solar direta.

- Use o carregador das baterias apenas quando a temperatura ambiente estiver entre 41 °F (5 °C) e 104 °F (40 °C).
- Carregue a bateria de 30% a 50% antes de colocá-la em armazenamento por longos períodos.
- Armazene o carregador de bateria em um espaço fechado e seco.
- Mantenha a bateria longe do carregador durante o armazenamento. Não permita que crianças e outras pessoas não aprovadas entrem em contato com o equipamento. Mantenha o equipamento em um espaço que possa trancar.
- Limpe o produto e faça uma manutenção completa antes de guardá-lo por um longo período.
- Prenda o produto com segurança durante o transporte.

Descarte

O símbolo significa que o produto não é lixo doméstico. Descarte-o corretamente através do sistema local de coleta de lixo eletrônico. Isso contribui para a gestão adequada de resíduos no fim do ciclo de vida. Entre em contato com as autoridades locais, o serviço de coleta de resíduos domésticos, seu revendedor ou loja para mais informações. O descarte incorreto pode causar efeitos negativos ao meio ambiente

e à saúde humana, devido à possível presença de substâncias perigosas.

Observação: O símbolo aparece no produto ou na embalagem do produto.



Dados técnicos

Especificações técnicas

	350iB
Motor	
Tipo de motor	BLDC (sem escovas) 36 V
Peso	
Peso sem bateria, kg/lb	2,8 / 6,2
Desempenho do ventilador do impulsor	
Velocidade máx. do ar, m/s/mph (com bico)	89,4 / 200
Volume máx. de ar, m³/min/cfm	22,65 / 800
Força de sopro, N	23,5
Limites de temperatura	
Temperatura ambiente para operação, °F (°C)	14–104/-10–40
Temperatura ambiente para armazenamento, °F (°C)	41–77/5–25

Baterias aprovadas para o produto

Bateria	40-B140	BLi22	BLi30	BLi200	BLi300
Tipo	Íon de lítio	Íon de lítio	Íon de lítio	Íon de lítio	Íon de lítio
Capacidade das bateria, Ah	4,0	4,2	7,7	5,0	9,0
Voltagem nominal, V	36	36	36	36	36
Peso, kg/lb	1,2/2,7	1,3/2,9	1,9/4,2	1,3/2,9	1,9/4,2
Tipo de carregador de bateria	40-C80, QC250	40-C80, QC250	QC250	QC500	QC500

Carregadores de bateria aprovados

Carregador de bateria	40-C80	QC250	QC500
Tensão de entrada, V	100-240	100-240	100-240
Frequência, Hz	50-60	50-60	50-60
Potência, W	80	250	500

Baterias aprovadas para o produto

Bateria	40-B140	BLi22	BLi30
Tipo	Íon de lítio	Íon de lítio	Íon de lítio
Capacidade das bateria, Ah	4,0	4,2	7,7
Voltagem nominal, V	36	36	36
Peso, kg/lb	1,2/2,7	1,3/2,9	1,9/4,2
Tipo de carregador de bateria	40-C80, QC250	40-C80, QC250	QC250

Carregadores de bateria aprovados

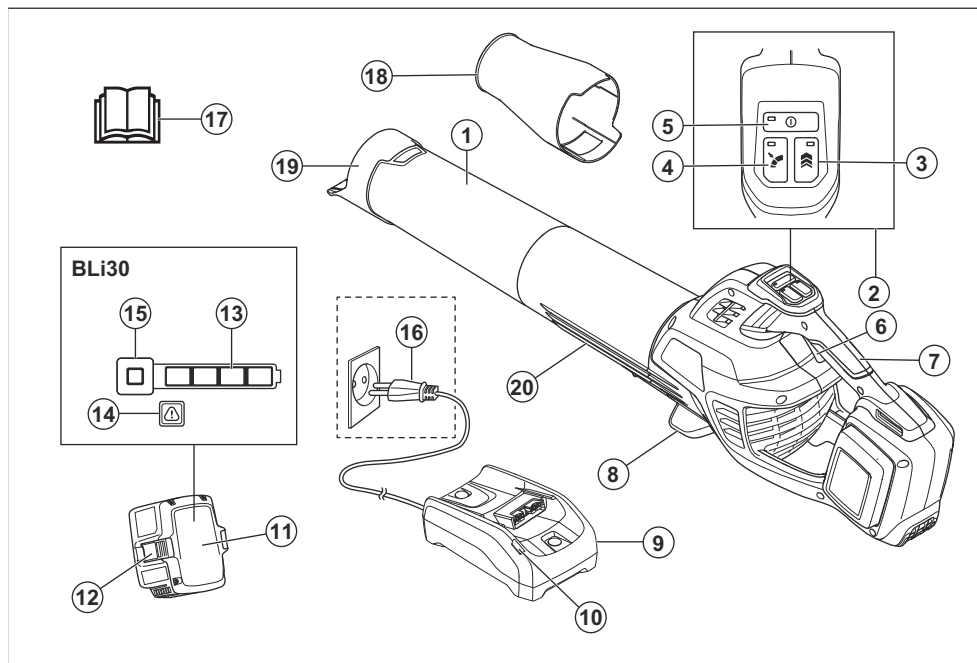
Carregador de bateria	QC250	40-C80
Tensão de entrada, V	100-240	100-240
Frequência, Hz	50-60	50-60
Potência, W	250	80

Содержание

Введение.....	85	Техническое обслуживание.....	103
Безопасность.....	89	Поиск и устранение неисправностей.....	104
Сборка.....	99	Транспортировка, хранение и утилизация.....	105
Эксплуатация.....	100	Технические данные.....	106

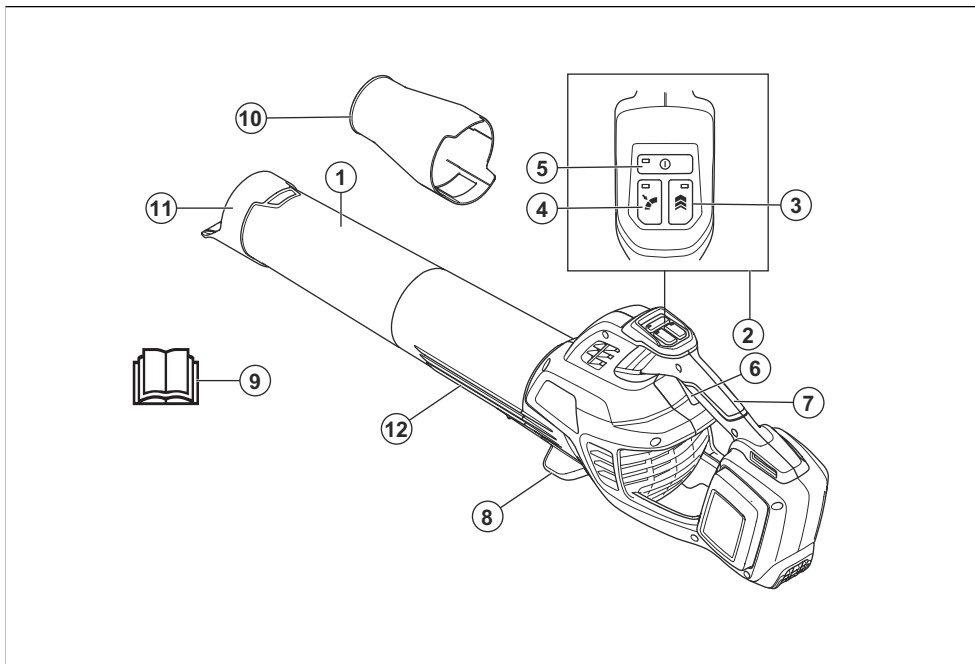
Введение

Обзор изделия



1. Нижняя трубка
2. Панель управления
3. Кнопка увеличения мощности
4. Круиз-контроль: Настройка оптимальной мощности воздушного потока для работы
5. Кнопка питания
6. Курок
7. Рукоятка
8. Опоры
9. Зарядное устройство, входит только в комплект
10. Индикатор питания и предупреждения
11. Аккумулятор, входит только в комплект
12. Кнопка извлечения аккумулятора
13. Индикатор уровня заряда аккумулятора
14. Предупреждающий индикатор (светодиодный индикатор ошибки)
15. Кнопка индикации аккумулятора
16. Вилка питания
17. Руководство по эксплуатации
18. Высокоскоростная насадка
19. Скребок
20. Верхняя трубка

Обзор изделия



1. Нижняя трубка
2. Панель управления
3. Кнопка увеличения мощности
4. Круиз-контроль: Настройка оптимальной мощности воздушного потока для работы
5. Кнопка питания
6. Курок
7. Рукоятка
8. Опоры
9. Руководство по эксплуатации
- 10.Высокоскоростная насадка
- 11.Скребок
- 12.Верхняя трубка

Описание изделия

Husqvarna 350iB представляет собой модель воздуходува с электродвигателем.

Мы постоянно работаем над усовершенствованием и развитием своей продукции и поэтому оставляем за собой право на внесение изменений в конструкцию и внешний вид без предварительного предупреждения.

Назначение

Данное изделие предназначено для выдувания листьев и другого мусора с газонов, дорожек, асфальтированных улиц и т.д.

Символы на изделии



ПРЕДУПРЕЖДЕНИЕ! Опасность тяжелой травмы или смерти оператора или окружающих. Соблюдайте осторожность и правила эксплуатации изделия.



Перед началом работы с изделием внимательно прочитайте руководство по эксплуатации и убедитесь, что понимаете приведенные здесь инструкции.



При работе с изделием всегда пользуйтесь одобренными средствами защиты глаз.



При работе с изделием всегда пользуйтесь одобренными средствами защиты органов слуха.



Используйте одобренные защитные ботинки и перчатки. Надевайте одежду с длинными рукавами и брюки.



Зафиксируйте волосы выше уровня плеч.



Не оставляйте, не храните и не используйте изделие под дождем или во влажных условиях.



Не надевайте украшения при работе с изделием.



Постоянный ток.



Запрещается утилизировать данное изделие и его упаковку в качестве бытовых отходов. Изделие необходимо передать в пункт переработки электрического и электронного оборудования.



Оператор воздушного компрессора обязан следить за тем, чтобы в радиусе 15 м не было людей или животных. При работе нескольких человек на одном участке между ними должна поддерживаться безопасная дистанция не менее 15 м. Во время работы воздушный компрессор может случайно отбрасывать предметы, которые могут отскочить обратно. Это может привести к серьезным повреждениям глаз, если не использовать рекомендованные средства защиты.



уууу
wwxxxxx

На паспортной табличке указан серийный номер. **уууу** означает год производства, **ww** — производственную неделю.

Символы на аккумуляторе



После завершения срока службы изделие необходимо передать в пункт переработки электрического и электронного оборудования.

Символы на изделии



ПРЕДУПРЕЖДЕНИЕ! Опасность тяжелой травмы или смерти оператора или окружающих. Соблюдайте осторожность и правила эксплуатации изделия.



Перед началом работы с изделием внимательно прочитайте руководство по эксплуатации и убедитесь, что понимаете приведенные здесь инструкции.



При работе с изделием всегда пользуйтесь одобренными средствами защиты органов слуха.



При работе с изделием всегда пользуйтесь одобренными средствами защиты глаз.



Используйте одобренные защитные ботинки и перчатки. Надевайте одежду с длинными рукавами и брюки.



Зафиксируйте волосы выше уровня плеч.



Не оставляйте, не храните и не используйте изделие под дождем или во влажных условиях.



Не надевайте украшения при работе с изделием.



Оператор воздуходува обязан следить за тем, чтобы в радиусе 15 м не находились люди или животные. При работе нескольких человек на одном участке между ними должна поддерживаться безопасная дистанция не менее 15 м. Во время работы воздуходувы могут случайно отбрасывать предметы, которые могут отскочить обратно. Это может привести к серьезным повреждениям глаз, если не использовать рекомендованные средства защиты.



==== Постоянный ток.

ууwwxxxxx

Серийный номер указан на паспортной табличке или с помощью лазерной гравировки. **уу** означает год производства, **ww** — производственную неделю.

Примечание: Остальные символы/наклейки на изделии отвечают требованиям, предъявляемым к сертификации в других коммерческих зонах.

Символы на зарядном устройстве аккумулятора



Соблюдайте осторожность и правила эксплуатации изделия. Изделие может стать причиной тяжелой травмы или смерти оператора и окружающих.



Перед началом работы внимательно прочитайте руководство по эксплуатации и убедитесь, что понимаете приведенные в нем инструкции.



Изделие соответствует действующим директивам ЕС.




Запрещается утилизировать данное изделие и его упаковку в качестве бытовых отходов. Изделие необходимо передать в соответствующий пункт переработки электрического и электронного оборудования.



Зарядное устройство должно использоваться и храниться только внутри помещений.

Примечание: Остальные символы/наклейки на зарядном устройстве относятся к специальным требованиям сертификации в определенных коммерческих зонах.

Законопроект 65 штата Калифорния

 WARNING
<p>This product contains or emits a chemical known to the State of California to cause cancer or birth defects or other reproductive harm.</p>

Служба поддержки клиентов

Для получения технической поддержки позвоните по телефону: 1-800-487-5951 или зайдите на сайт www.usa.husqvarna.com.

Производитель

Husqvarna Professional Products, Inc.
9335 Harris Corners Pkwy, Charlotte, NC 28269, USA

Повреждение изделия

Мы не несем ответственности за повреждение изделия в следующих случаях:

- ненадлежащий ремонт изделия;
- использование для ремонта изделия неоригинальных деталей или деталей, не одобренных производителем;
- использование неоригинальных дополнительных принадлежностей или

принадлежностей, не одобренных производителем;

- ремонт изделия в неавторизованном сервисном центре или неквалифицированным специалистом.

Безопасность

Инструкции по технике безопасности

Предупреждения, предостережения и примечания используются для выделения особо важных пунктов руководства.



ПРЕДУПРЕЖДЕНИЕ:

Используется, когда несоблюдение инструкций руководства может привести к травмам или смерти оператора или находящихся рядом посторонних лиц.



ВНИМАНИЕ:

Используется, когда несоблюдение инструкций руководства может привести к повреждению изделия, других материалов или прилегающей территории.

Примечание: Используется для предоставления дополнительных сведений о конкретной ситуации.

ВАЖНЫЕ ПРАВИЛА ТЕХНИКИ БЕЗОПАСНОСТИ



ПРЕДУПРЕЖДЕНИЕ:

Внимательно прочитайте все предупреждения и информацию о мерах безопасности. Несоблюдение предупреждений и инструкций по технике безопасности может привести к поражению электрическим током, пожару и/или тяжелым травмам.

Прочитайте все инструкции



ПРЕДУПРЕЖДЕНИЕ:

При использовании садовых инструментов с электрическим приводом необходимо всегда следовать основным мерам предосторожности в целях снижения риска возникновения пожара, поражения электрическим током и получения травмы, включая следующие правила:

Общие указания техники безопасности при работе с изделием



ПРЕДУПРЕЖДЕНИЕ:

Ознакомьтесь со всеми предупреждениями, инструкциями, иллюстрациями и положениями, касающимися техники безопасности и прилагаемыми к данному изделию. Несоблюдение всех указанных ниже инструкций может привести к поражению электрическим током, пожару и/или тяжелым травмам.

Примечание: Сохраните все предупреждающие указания и инструкции для последующего обращения. Под словом "изделие" в данном документе понимается электрическое (проводное) либо аккумуляторное (беспроводное) оборудование.

Техника безопасности на рабочем месте

- Рабочее место должно содержаться в чистоте и быть хорошо освещено. Загромождения или ненадлежащее освещения могут стать причиной несчастных случаев.
- Запрещается использовать изделие во взрывоопасной атмосфере, например в присутствии легковоспламеняющихся жидкостей, газов или пыли. Изделия

образуют искры, которые могут вызвать возгорание пыли или паров.

- Не позволяйте детям и посторонним лицам приближаться к вам во время использования изделия. Это может отвлечь ваше внимание и привести к потере управления.

Электрическая безопасность

- Вилка изделия должна соответствовать электрической розетке. Запрещается вносить изменения в конструкцию вилки. Запрещается использовать переходники с заземленными изделиями. Отсутствие изменений в конструкции вилок и их соответствие розеткам снижает риск поражения электрическим током.
- Избегайте контакта любых частей тела с заземленными поверхностями, такими как трубы, радиаторы, плиты и холодильники. Заземление тела увеличивает риск поражения электрическим током.
- Не подвергайте изделия воздействию воды или высокой влажности. Попадание воды в изделие повышает риск поражения электрическим током.
- Используйте шнур только по прямому назначению. Никогда не носите и не тяните изделие за шнур и не дергайте за него при извлечении вилки из розетки. Держите шнур вдали от источников тепла, масла, острых углов или движущихся деталей. Эксплуатация поврежденного или спутанного шнура увеличивает риск поражения электрическим током.
- При работе с изделием вне помещения используйте специальный удлинительный шнур для уличного применения. Использование шнура, предназначенного для уличного применения, снижает риск поражения электрическим током.
- Если неизбежно требуется применение изделия во влажной среде, используйте источник тока, защищенный прерывателем тока при коротком замыкании на землю. Использование прерывателя тока при коротком замыкании на землю снижает риск поражения током.

Личная безопасность

- При работе с изделием будьте бдительны, следите за своими действиями и руководствуйтесь здравым смыслом. Не

используйте изделие, если вы устали или находитесь под воздействием наркотических средств, алкоголя или лекарств. Малейшая невнимательность при работе с изделиями может обернуться серьезными травмами.

- Пользуйтесь средствами индивидуальной защиты. Всегда носите защитные очки. Надлежащие средства защиты, такие как респиратор, противоскользящая защитная обувь, каска или средства защиты органов слуха, существенно снижают риск получения травм.
- Примите меры по предотвращению случайного запуска. Перед подключением изделия к источнику питания и/или аккумуляторному блоку, его подъемом или переноской убедитесь, что переключатель находится в положении выключения. Не переносите изделия, держа палец на переключателе, а также не подавайте питание на изделия с включенным переключателем, т. к. это может привести к несчастному случаю.
- Перед включением изделия уберите все регулировочные и гаечные ключи. Ключ, оставленный на вращающейся части изделия, может стать причиной травмы.
- Не тянитесь слишком далеко. Сохраняйте равновесие и устойчивое положение ног. Благодаря этому вы сможете лучше контролировать изделие в непредвиденных ситуациях.
- Надевайте соответствующую одежду. Не надевайте свободную одежду или украшения. Не допускайте попадания волос, одежды и перчаток в движущиеся части. Свободная одежда, украшения или длинные волосы могут попасть в движущиеся части.
- Если инструмент может дополнительно оснащаться устройствами для сбора и удаления пыли, убедитесь, что они подключаются и используются надлежащим образом. Такие устройства способствуют снижению опасностей, связанных с наличием пыли.
- Не допускайте, чтобы чувство уверенности, приобретенное вследствие частого управления изделием, позволило вам забыть об опасностях и игнорировать принципы обеспечения безопасности.

Неосторожные действия могут привести к тяжелой травме за долю секунды.

- Вибрации во время фактического использования изделия могут отличаться от заявленного суммарного значения в зависимости от того, каким образом изделие используется. Операторы должны определять меры безопасности для собственной защиты, основываясь на оценке воздействия в конкретных условиях эксплуатации (с учетом всех этапов рабочего цикла, таких как время отключения изделия и время вращения на холостом ходу в дополнение к триггеру).

Эксплуатация и обслуживание изделия

- **Не перегружайте изделие. Убедитесь, что изделие подходит для выполнения конкретной задачи. Правильно выбранное изделие лучше и надежнее справится с задачей, соответствующей его конструктивным характеристикам.**
- **Не пользуйтесь изделием, если его переключатель не работает. Если управление изделием с помощью переключателя невозможно, такое изделие представляет опасность и подлежит обязательному ремонту.**
- **Прежде чем производить регулировки на изделии, заменять принадлежности или убирать его на хранение, отключите изделие от источника питания и/или снимите аккумуляторный блок (если снимается). Эти меры предосторожности позволяют исключить риск случайного запуска изделия.**
- **Храните неиспользуемые изделия в недоступном для детей месте и не позволяйте работать с изделиями лицам, не ознакомленным с ними и с данными инструкциями по эксплуатации. В руках неопытных пользователей изделия являются источником опасности.**
- **Выполняйте обслуживание изделий и принадлежностей. Проверяйте точность регулировки и отсутствие заедания движущихся частей, отсутствие поломанных деталей и иных неисправностей, которые могут нарушить работу изделия. При наличии повреждений выполните необходимый ремонт, прежде чем использовать изделие. Причиной многих несчастных случаев является**

ненадлежащее техническое обслуживание изделий.

- **Поддерживайте остроту и чистоту режущего оборудования. Исправное режущее оборудование с острыми режущими кромками меньше подвержено поломкам и проще в управлении.**
- **Используйте изделие, принадлежности, наконечники и т. д. в соответствии с данными инструкциями, принимая во внимание условия работы и специфику выполняемой задачи. Использование изделия не по назначению может привести к опасным ситуациям.**
- **Рукоятки и поверхности захвата должны быть сухими и чистыми, без следов масла и смазки. Скользкие рукоятки и поверхности захвата препятствуют безопасному обращению и управлению изделием в непредвиденных ситуациях.**

Эксплуатация и обслуживание аккумуляторного инструмента

- **Выполняйте зарядку только с помощью зарядного устройства, указанного производителем. Зарядное устройство, подходящее для одного типа аккумуляторного блока, может создать опасность возгорания при использовании с аккумуляторным блоком другого типа.**
- **Используйте изделие только с совместимыми аккумуляторными блоками. Использование других аккумуляторных блоков может создать опасность травмы или возгорания.**
- **Когда аккумуляторный блок не используется, храните его вдали от металлических предметов, таких как скрепки, монеты, ключи, гвозди, винты или иные мелкие предметы, которые могут замкнуть клеммы аккумулятора. Замыкание клемм аккумулятора может привести к ожогам или пожару.**
- **При неправильном обращении из аккумулятора может вытечь жидкость; избегайте контакта с вытекшей жидкостью. При случайном контакте промойте место соприкосновения водой. При попадании жидкости в глаза обратитесь за медицинской помощью. Вытекающая из аккумулятора жидкость может привести к раздражению или ожогу.**

- **Запрещается использовать аккумуляторный блок или инструмент, если они повреждены или модифицированы.** *Поврежденные или подвергнутые модификации аккумуляторы могут работать неправильно, что приведет к возникновению пожара, взрыва или риску травм.*
- **Не подвергайте аккумуляторный блок или инструмент воздействию огня или чрезмерно высоким температурам.** *Воздействие огня или температуры выше 130 °C (265 °F) может привести к взрыву.*
- **Точно следуйте всем инструкциям по зарядке и ни в коем случае не заряжайте аккумуляторный блок или инструмент при температуре, выходящей за пределы указанного в инструкциях диапазона.** *Ненадлежащая зарядка или зарядка при температуре выше или ниже указанного диапазона может привести к повреждению аккумулятора и повышенному риску пожара.*

Сервисное обслуживание

- **Обслуживание изделия должны выполнять квалифицированные специалисты по ремонту оборудования с использованием только идентичных запчастей.** *Благодаря этому безопасность изделия сохраняется на надлежащем уровне.*
- **Никогда не выполняйте обслуживание поврежденных аккумуляторных блоков.** *Обслуживание аккумуляторных блоков должно выполняться только производителем или специалистами авторизованных сервисных центров.*

Меры предосторожности при работе с садовой воздуходувкой

- **Не используйте садовую воздуходувку при плохих погодных условиях, особенно если существует риск удара молнии.** *Это позволяет уменьшить риск поражения молнией.*
- **Всегда используйте средства защиты глаз и органов слуха.** *Использование надлежащих средств защиты снизит риск получения травм.*
- **При работе с садовой воздуходувкой всегда надевайте защитную обувь с нескользящей подошвой.** *Запрещается работать с садовой воздуходувкой босиком*

или в открытой обуви. Это снижает риск получения травм ног.

- **Не надевайте свободную одежду и не носите шарфы, цепи, галстуки, шнурки и т. д., которые могут попасть в воздухозаборники.** *Завяжите длинные волосы или уберите их под головной убор, чтобы их не затянуло в воздухозаборники. Если какие-либо предметы или волосы будут затянуты в воздухозаборники, это увеличит риск получения травм.*
- **Не допускайте приближения посторонних лиц к вам во время работы садовой воздуходувки.** *Отбрасываемый мусор может повлиять на риск получения травм.*
- **Никогда не направляйте насадку воздуходувки на людей или домашних животных и на окна.** *Соблюдайте особую осторожность при сдувании мусора вблизи твердых предметов, таких как деревья, автомобили и стены, от которых мусор может от ricoшетить. Отбрасываемые предметы могут повредить имущество и повысить риск получения травм.*
- **Запрещается сдувать садовой воздуходувкой дымящиеся или горящие предметы, например сигареты, спички и горячий пепел.** *Эти источники возгорания могут повысить риск возникновения пожара.*
- **Не прикасайтесь к вращающемуся вентилятору.** *Выключите садовую воздуходувку и дождитесь, пока вентилятор остановится, прежде чем снимать детали, которые обеспечивают доступ к вентилятору. Это снижает риск получения травм от движущихся частей.*
- **Перед удалением застрявшего материала или обслуживанием садовой воздуходувки убедитесь, что выключатель питания выключен.** *Непредвиденное включение изделия при удалении застрявшего материала или техобслуживании может привести к тяжелой травме.*

Общие инструкции по технике безопасности



ПРЕДУПРЕЖДЕНИЕ: В

обязательном порядке прочитайте

следующие инструкции по технике безопасности, прежде чем приступить к эксплуатации изделия.

технике безопасности, прежде чем приступить к эксплуатации изделия.

- Неправильное или небрежное использование изделия может превратить его в опасный инструмент, который может привести к серьезной или даже смертельной травме оператора или других лиц. Внимательно прочитайте и усвойте информацию, содержащуюся в данном руководстве по эксплуатации.
- Ни при каких обстоятельствах не допускается внесение изменений в первоначальную конструкцию изделия без разрешения производителя. Запрещается пользоваться изделием, в конструкцию которого внесены какие-либо изменения. Всегда пользуйтесь только оригинальными принадлежностями. Внесение неразрешенных изменений и/или использование неразрешенных принадлежностей может привести к серьезной травме или смерти пользователя или других лиц. Ваша гарантия может не покрывать ущерб, возникший по причине использования неразрешенных принадлежностей или сменных деталей.
- Во время работы данное изделие создает электромагнитное поле. В определенных обстоятельствах это поле может создавать помехи для пассивных и активных медицинских имплантатов. В целях снижения риска серьезной или смертельной травмы лицам с медицинскими имплантатами рекомендуется проконсультироваться с врачом и изготовителем имплантата, прежде чем приступить к эксплуатации данного изделия.
- Перед зарядкой извлеките аккумулятор из изделия.
- В случае возникновения ситуации, в которой вы почувствуете неуверенность относительно дальнейшей работы с изделием, обратитесь за консультацией к специалисту. Свяжитесь с дилером или сервисным центром. Не пытайтесь решить какую-либо задачу, если считаете, что она находится за пределами ваших возможностей.
- Запрещается использовать изделие в плохую погоду, например в туман, дождь, при сильном ветре, низких температурах воздуха и т. д.
- Не позволяйте детям пользоваться изделием или находиться рядом с ним. Поскольку изделие можно запустить без особого труда, это могут сделать дети, находящиеся без должного присмотра. Это создает риск получения тяжелых травм. Поэтому в случаях, когда изделие остается без присмотра, аккумулятор должен быть отсоединен.
- Следите за тем, чтобы во время работы в радиусе 15 м (50 футов) от изделия не было людей и животных. Когда на одном участке одновременно работают несколько операторов, безопасное расстояние между ними должно быть не менее 15 м. В противном случае существует риск получения серьезных травм. Если кто-нибудь подойдет ближе, немедленно остановите изделие. Никогда не поворачивайтесь с изделием, не посмотрев сначала назад и не убедившись, что в зоне риска никого нет.
- Убедитесь, что вы можете двигаться и стоять безопасно. Проверьте, нет ли вокруг вас возможных помех и препятствий (корней, камней, веток, ям и т. д.), на случай, если вам вдруг будет нужно быстро переместиться. Будьте особенно внимательны при работе на склоне.
- Всегда сохраняйте равновесие и устойчивое положение ног. Не тянитесь слишком далеко.
- Когда на вас надеты защитные наушники, прислушивайтесь к сигналам тревоги или крикам. Всегда снимайте наушники сразу после остановки изделия.

Инструкции по технике безопасности во время эксплуатации

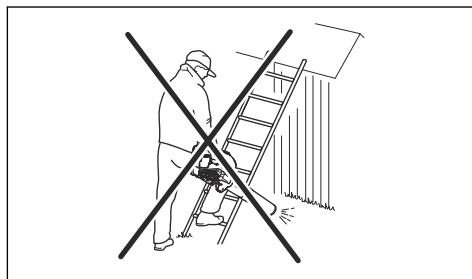


ПРЕДУПРЕЖДЕНИЕ:

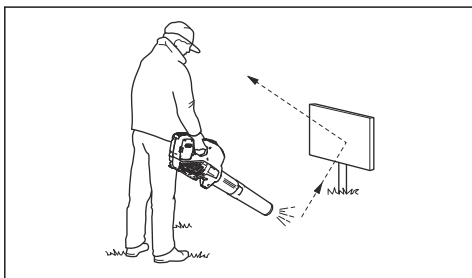
Обязательно прочитайте следующие инструкции по

- Используйте изделие только в надлежащее время — не работайте рано утром и поздно вечером, чтобы не мешать другим людям. Соблюдайте местное законодательство и нормативы.
- Используйте как можно меньший воздушный поток. Максимальный воздушный поток требуется редко, и многие работы могут выполняться при среднем уровне потока. Чем меньше воздушный поток, тем ниже уровни шума и пыли и тем проще контролировать сбор/перемещение мусора.
- Чтобы удалить прилипший мусор с поверхности, используйте грабли или швабру.
- Держите отверстие воздуходува как можно ближе к земле.
- Следите за обстановкой вокруг. Не направляйте изделие на людей, животных, игровые площадки, автомобили и т. д.
- Уменьшите продолжительность обдува за счет легкого увлажнения запыленных областей или использования распылителей.
- Учитывайте направление ветра. Работайте по направлению ветра, чтобы было проще.
- В случае нехарактерной вибрации изделия остановите его и извлеките аккумулятор.
- Использование воздуходува для перемещения больших скоплений листьев требует много времени и создает нежелательный шум.
- Выполните уборку после работы. Следите за тем, чтобы в ходе работы мусор/листья не попали на чужой участок.
- Запрещается бегать с изделием.
- Мощные потоки воздуха могут перемещать предметы с такой скоростью, при которой предметы могут отскочить обратно и нанести серьезную травму глаз.

- Не направляйте поток воздуха на людей или животных.
- Останавливайте двигатель перед установкой или снятием принадлежностей или других компонентов.
- Держите все части тела на безопасном расстоянии от нагретых поверхностей изделия.
- Запрещается опускать изделие на землю во включенном состоянии, за исключением случаев, когда его хорошо видно.
- Запрещается работать с воздуходувом при нахождении на лестнице или платформе.



- Запрещается использовать изделие в условиях, когда вы не сможете позвать на помощь при несчастном случае.
- Остерегайтесь отбрасываемых предметов. Камни, мусор и пр. могут попасть в глаза и привести к слепоте или к серьезным травмам.
- Для повышения уровня безопасности применяйте устройство защитного отключения (УЗО). Устройство защитного отключения устанавливается для защиты оператора в случае возникновения электрической неисправности.
- Данное изделие отличается низким уровнем вибрационной нагрузки. Длительное воздействие вибрации может привести к нарушению кровообращения или расстройствам нервной системы у людей с нарушенным кровообращением. В случае появления симптомов чрезмерного воздействия вибрации следует обратиться к врачу. К таким симптомам относятся онемение, потеря чувствительности, ощущение щекотки и покалывания, боли, потеря силы или слабость, изменение цвета или состояния кожи. Как правило, подобные симптомы проявляются в пальцах, кистях или запястьях.



- Используйте изделие строго по назначению.
- Невозможно предвидеть все ситуации, с которыми вы можете столкнуться. Всегда соблюдайте осторожность и руководствуйтесь здравым смыслом. Не выполняйте работу, если вам кажется, что уровень вашей квалификации недостаточен. Если после изучения руководства у вас остались вопросы касательно эксплуатации изделия, прежде чем приступить к работе обратитесь за консультацией к специалисту.

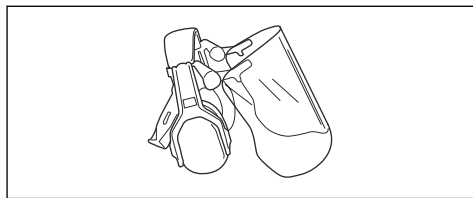
Средства индивидуальной защиты



ПРЕДУПРЕЖДЕНИЕ:

В обязательном порядке прочитайте следующие инструкции по технике безопасности, прежде чем приступить к эксплуатации изделия.

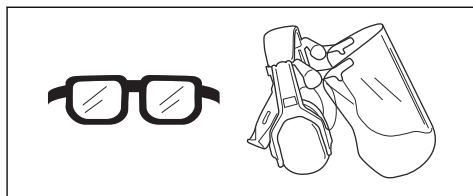
- При работе с изделием всегда используйте одобренные средства индивидуальной защиты. Средства индивидуальной защиты не могут полностью исключить риск получения травмы, но при несчастном случае они снижают тяжесть травмы. За помощью по правильному выбору СИЗ обращайтесь к дилеру.
- Продолжительное воздействие шума может повлечь за собой нарушение слуха. В целом, аккумуляторные изделия отличаются относительно низким уровнем шума, но при длительном использовании все же возможно нарушение слуха. При непрерывной эксплуатации изделия в течение продолжительного времени Husqvarna рекомендует операторам использовать средства защиты органов слуха. Пользователи, эксплуатирующие изделие регулярно или в течение продолжительного времени, должны регулярно проверять слух.



ПРЕДУПРЕЖДЕНИЕ:

Средства защиты органов слуха приглушают звуки, в том числе предупреждающие сигналы.

- Используйте одобренные средства защиты глаз. При использовании защитного щитка следует также пользоваться одобренными защитными очками. Под одобренными защитными очками подразумеваются очки, отвечающие требованиям стандарта ANSI Z87.1 для США или EN 166 для стран ЕС.



- Надевайте одежду из прочного материала. Всегда надевайте длинные прочные брюки и верхнюю одежду с длинными рукавами. Не надевайте свободную одежду, которая может зацепиться за ветви или кустарник. Не надевайте ювелирные украшения, шорты, сандалии и не работайте босиком. Соберите волосы выше уровня плеч.
- Средства оказания первой помощи всегда должны быть под рукой.



- В случае работы в условиях, при которых возможно появление пыли, используйте респиратор.



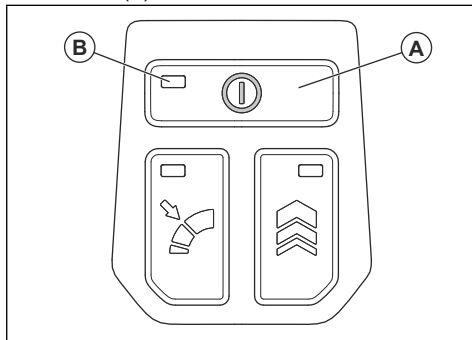
ПРЕДУПРЕЖДЕНИЕ:

В обязательном порядке прочитайте следующие инструкции по технике безопасности, прежде чем приступить к эксплуатации изделия.

- В данном разделе рассматриваются защитные приспособления изделия и их назначение, а также приводятся проверки и процедуры технического обслуживания, которые необходимо проводить для обеспечения правильной работы изделия. См. раздел *Введение на стр. 85*, где описано расположение этих компонентов на изделии.
- Срок службы изделия может быть сокращен, а риск несчастных случаев увеличен, если техническое обслуживание изделия не проводится надлежащим образом, а сервис и/или ремонт выполняются непрофессионалами. Дополнительную информацию можно получить в ближайшем сервисном центре.
- Ни в коем случае не пользуйтесь изделием с поврежденными защитными приспособлениями. Техобслуживание и проверка защитных приспособлений должны выполняться в соответствии с инструкциями в данном разделе. Если в рамках этих проверок обнаружены неисправности изделия, обратитесь в сервисный центр для проведения ремонта.
- Для обслуживания и ремонта изделия требуется специальная подготовка. Это особенно важно для защитных устройств изделия. При обнаружении одной или нескольких неисправностей (см. перечень проверок ниже) в обязательном порядке обратитесь в сервисный центр. При приобретении любой нашей продукции вы получаете доступ к профессиональной помощи по ремонту и обслуживанию. Если изделие было приобретено у дилера, не имеющего сервисного центра, узнайте у дилера адрес ближайшего сервисного центра.

Проверка клавиатуры

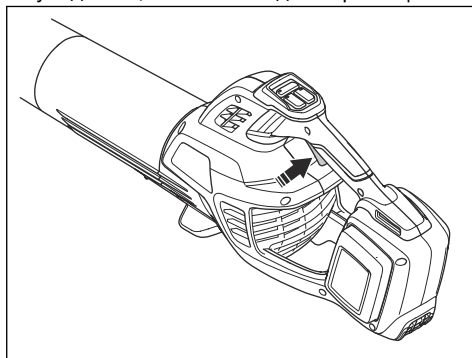
- Нажмите и удерживайте нажатой кнопку питания (A).



- Изделие включено, когда горит светодиодный индикатор (B).
- Изделие выключено, когда светодиодный индикатор (B) не горит.

Проверка курка

- Нажмите и отпустите курок, чтобы убедиться, что он свободно перемещается.



Техника безопасности при работе с аккумулятором



ПРЕДУПРЕЖДЕНИЕ:

Обязательно прочитайте следующие инструкции по технике безопасности, прежде чем приступить к эксплуатации изделия.

- Используйте только одобренный перезаряжаемый аккумулятор Husqvarna. См. раздел *Технические данные на стр. 106*. Для аккумуляторов используется программное обеспечение с криптографической защитой.
- Используйте перезаряжаемый аккумулятор Husqvarna только с теми изделиями Husqvarna, для которых он предназначен. Во избежание травм запрещается использовать аккумулятор в качестве источника питания для других устройств.
- Риск поражения электрическим током. Не допускайте контакта клемм аккумулятора с ключами, монетами, винтами или другими металлическими предметами. Это может привести к короткому замыканию аккумулятора.
- Запрещается использовать одноразовые аккумуляторы.
- Не размещайте посторонние предметы на воздухозаборниках аккумулятора.
- Аккумулятор не должен подвергаться воздействию солнечного света, тепла или открытого пламени. Аккумулятор может стать причиной ожогов, в том числе химических.
- Защищайте аккумулятор от дождя и сырости.
- Не подвергайте аккумулятор воздействию микроволн и высокого давления.
- Не пытайтесь разбирать или ломать аккумулятор.
- При возникновении утечки из аккумулятора не допускайте попадания жидкости на кожу или в глаза. В случае контакта с жидкостью промойте участок контакта большим количеством воды с мылом и обратитесь за медицинской помощью. При попадании жидкости в глаза нельзя их тереть. Необходимо промывать глаза обильным количеством воды на протяжении не менее 15 минут, а затем обратиться за медицинской помощью.
- Используйте аккумулятор при температуре в диапазоне от -10 до 40 °C (от 14 до 114 °F).
- Очистка аккумулятора или зарядного устройства водой запрещена. См. раздел *Очистка изделия, аккумулятора и зарядного устройства на стр. 104*.

- Не используйте аккумулятор, если он поврежден или работает неправильно.
- Храните аккумуляторы вдали от металлических предметов, таких как гвозди, винты или ювелирные изделия.
- Храните аккумулятор в недоступном для детей месте.

Техника безопасности при работе с зарядным устройством аккумулятора



ПРЕДУПРЕЖДЕНИЕ: В

обязательном порядке прочитайте следующие инструкции по технике безопасности, прежде чем приступать к эксплуатации изделия.

- Риск поражения электрическим током или короткого замыкания в случае несоблюдения инструкций по технике безопасности.
- Используйте одобренные сетевые розетки с заземлением, которые находятся в исправном состоянии.
- Используйте только фирменные зарядные устройства Husqvarna.
- Не пытайтесь разбирать зарядное устройство.
- Не поднимайте зарядное устройство за кабель питания. Для отсоединения зарядного устройства от сетевой розетки потяните за вилку. Не тяните за шнур питания.
- Кабели и удлинители не должны контактировать с водой, маслом и с острыми краями. Убедитесь, что кабель не застрял в двери, заборе и т.д.
- Запрещается использовать зарядное устройство вблизи легковоспламеняющихся материалов и материалов, которые вызывают коррозию. Убедитесь, что зарядное устройство не накрыто чем-либо. Вытащите вилку зарядного устройства из розетки в случае появления дыма или огня.
- Заряжайте аккумулятор только в хорошо проветриваемом помещении вдали от солнечных лучей. Запрещается заряжать аккумулятор на улице. Запрещается

заряжать аккумулятор в условиях высокой влажности.

- Используйте зарядное устройство только при температуре в диапазоне от 5 °C (41 °F) до 40 °C (104 °F). Используйте зарядное устройство в хорошо проветриваемых, сухих помещениях, защищенных от пыли.
- Не вставляйте посторонние предметы в воздухозаборники зарядного устройства, предназначенные для его охлаждения.
- Не подсоединяйте металлические предметы к клеммам зарядного устройства, т.к. это может привести к короткому замыканию зарядного устройства.
- Используйте одобренные штепсельные розетки, которые находятся в исправном состоянии.
- Регулярно проверяйте, не поврежден ли кабель питания. Если кабель питания поврежден, немедленно отсоедините зарядное устройство.
- При наличии повреждений кабеля питания замените его.
- Храните зарядное устройство в недоступном для детей месте.
- Не используйте зарядное устройство, если оно повреждено или работает неправильно.
- Запрещается использовать зарядное устройство при риске удара молнии.
- Запрещается брать зарядное устройство влажными руками.
- Дети старше 8 лет и лица с ограниченными физическими, сенсорными или умственными способностями или недостатком опыта и знаний могут использовать данное оборудование только под надзором или в случае предоставления инструкций относительно безопасной эксплуатации оборудования и возможных рисков. Запрещается позволять детям играть с оборудованием. Очистка и техническое обслуживание пользователем не должны проводиться детьми без надзора.

Инструкции по технике безопасности во время технического обслуживания



ПРЕДУПРЕЖДЕНИЕ: В

обязательном порядке прочитайте следующие инструкции по технике безопасности, прежде чем приступать к техобслуживанию изделия.

- Перед сборкой изделия, проведением техобслуживания или иных проверок извлекайте из него аккумулятор.
- Оператор может выполнять только те работы по техническому и сервисному обслуживанию, которые описаны в данном руководстве по эксплуатации. Для проведения более сложных работ по техническому и сервисному обслуживанию обращайтесь к своему дилеру по обслуживанию.
- Все гайки, болты и винты должны быть надежно затянуты для обеспечения безопасного рабочего состояния изделия.
- Замените изношенные или поврежденные детали.
- При невыполнении работ по техобслуживанию срок службы изделия сокращается, а риск возникновения несчастных случаев увеличивается.
- Для выполнения любых работ по сервисному обслуживанию и ремонту, особенно защитных приспособлений изделия, необходимо пройти специальное обучение. Если после выполнения обслуживания при проведении проверок были выявлены неисправности, обратитесь к своему дилеру по обслуживанию. Мы гарантируем, что ремонт и обслуживание вашего изделия будут выполнять квалифицированные профессионалы.
- Пользуйтесь только оригинальными запасными частями.

СОХРАНИТЕ ДАННЫЕ ИНСТРУКЦИИ

Сборка

Введение

В данном разделе рассматривается сборка и регулировка изделия.

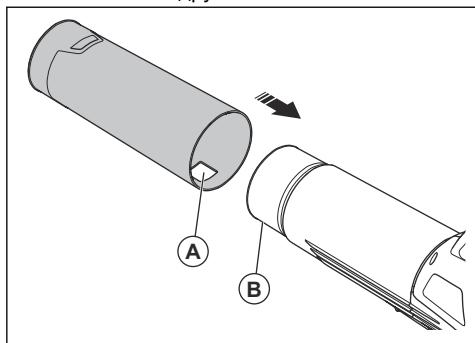


ПРЕДУПРЕЖДЕНИЕ: Перед сборкой изделия ознакомьтесь с разделом безопасности и инструкциями по сборке.

Сборка трубок воздуходувки

Примечание: Нанесите смазку на водной основе на края труб, чтобы упростить сборку.

- Установите нижнюю трубку на верхнюю, так чтобы выступ (B) вошел в отверстие (A). Убедитесь, что нижняя трубка и верхняя трубка зафиксированы друг относительно друга.

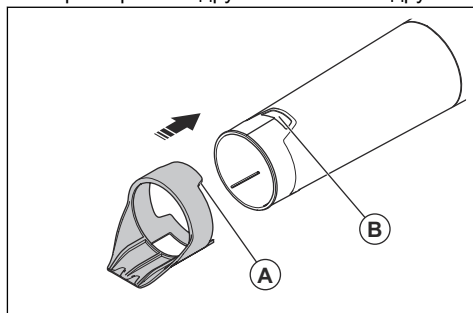


- Для увеличения скорости подачи воздуха установите высокоскоростную насадку на нижнюю трубку.

Установка скребка

С помощью скребка можно счищать листья и другие нежелательные материалы для удобства очистки.

- Установите скребок на нижнюю трубку, так чтобы выступ (A) вошел в отверстие (B). Убедитесь, что скребок и трубка зафиксированы друг относительно друга.

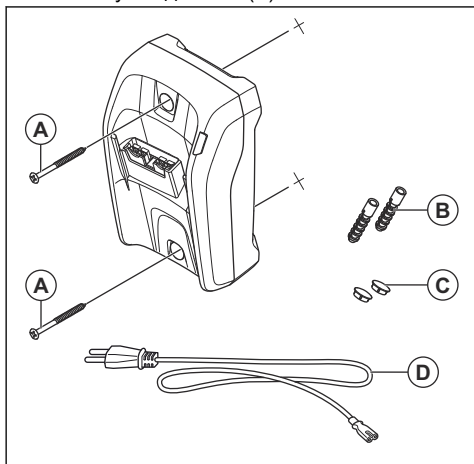


Монтаж зарядного устройства на стену



ВНИМАНИЕ: Не используйте электрическую отвертку для монтажа зарядного устройства на стену. Электрическая отвертка может повредить зарядное устройство.

1. Установите зарядное устройство на стену с помощью 2 винтов (А). При необходимости используйте дюбели (В).



2. Установите 2 заглушки на винты (С).
3. Подсоедините шнур питания (D) к зарядному устройству и сетевой розетке.

Эксплуатация

Введение



ПРЕДУПРЕЖДЕНИЕ: Перед эксплуатацией изделия внимательно изучите раздел техники безопасности.

Проверка функциональности изделия перед использованием

1. Проверьте впускное отверстие для воздуха на наличие загрязнений и трещин. С помощью щетки очистите траву и листья с изделия.
2. Убедитесь, что изделие работает исправно.
3. Проверьте все гайки и винты и убедитесь, что они туго затянуты.

Подключение зарядного устройства



ПРЕДУПРЕЖДЕНИЕ: Используйте зарядное устройство только при температуре окружающей среды от 41°F (5°C) до 104°F (40°C).

1. Подсоединяйте зарядное устройство к сети питания с напряжением и частотой, указанными на паспортной табличке.
2. Вставьте вилку в заземленную розетку. Светодиодный индикатор на зарядном устройстве мигает 1 раз красным и 1 раз зеленым.

Зарядка аккумулятора



ВНИМАНИЕ: Убедитесь, что аккумулятор, зарядное устройство и клеммы аккумулятора чистые и сухие. Запрещается помещать аккумулятор в зарядное устройство, если он грязный или влажный.

1. Подключите зарядное устройство к электросети. Светодиодный индикатор зарядки мигает 1 раз красным цветом и 1 раз зеленым цветом.



ВНИМАНИЕ: Подключайте зарядное устройство только к сети питания с напряжением и частотой, указанными на паспортной табличке.

2. Подключите аккумулятор к зарядному устройству. Загорается светодиодный индикатор зарядки.
3. Извлеките аккумулятор из зарядного устройства, когда он полностью зарядится. Нажмите кнопку индикатора заряда аккумулятора для отображения состояния аккумулятора. Если все светодиодные индикаторы горят, то аккумулятор полностью заряжен.
4. Чтобы отсоединить зарядное устройство от сети, потяните за вилку питания. Не тяните за кабель питания.

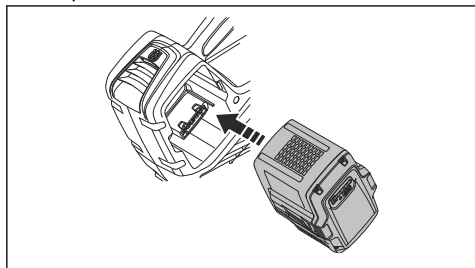
Подключение аккумулятора к изделию



ПРЕДУПРЕЖДЕНИЕ:

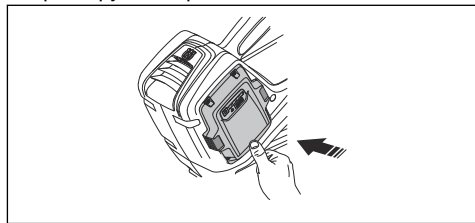
Используйте с данным изделием только оригинальные аккумуляторы Husqvarna.

1. Убедитесь, что аккумулятор полностью заряжен.
2. Вставьте аккумулятор в держатель аккумулятора на изделии. Аккумулятор должен легко войти в держатель, в противном случае он установлен неправильно.



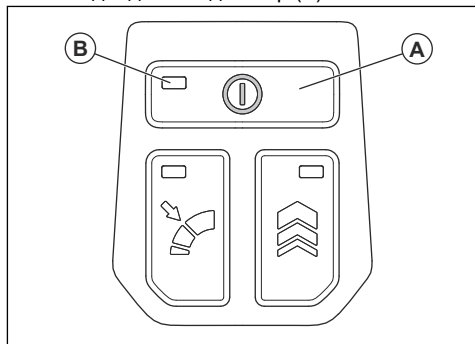
3. Надавите на нижнюю часть аккумулятора и вставьте его до упора в отсек аккумулятора. При фиксации аккумулятора на месте слышится щелчок.

4. Убедитесь, что защелки закрываются и фиксируются правильно.



Запуск изделия

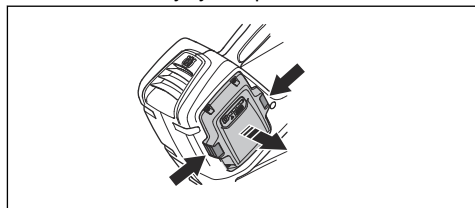
1. Нажмите и удерживайте нажатой кнопку питания (A), пока не загорится зеленый светодиодный индикатор (B).



2. Для контроля частоты вращения используйте переключатель.

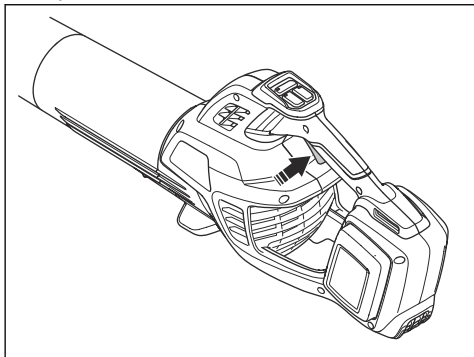
Остановка изделия

1. Отпустите переключатель.
2. Нажмите и удерживайте нажатой кнопку питания, пока зеленый светодиод не погаснет.
3. Извлеките аккумулятор из изделия. Нажмите на две кнопки разблокировки и извлеките аккумулятор.

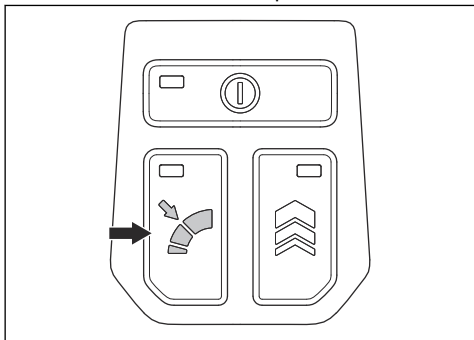


Установка оптимального потока воздуха

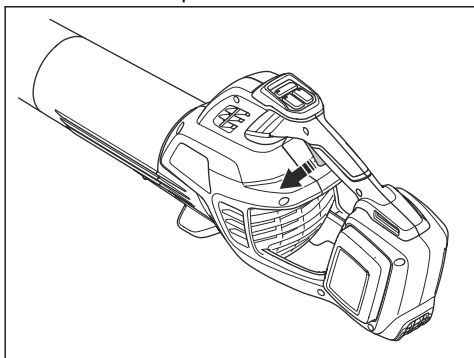
1. Для выбора оптимальной мощности воздушного потока нажмите и удерживайте переключатель.



2. Нажмите кнопку круиз-контроля, чтобы установить выбранную мощность воздушного потока. Загорится светодиодный индикатор.



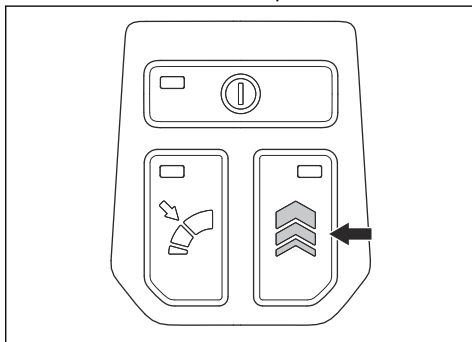
3. Продолжайте работу с изделием, не нажимая на переключатель.



4. Повторно нажмите кнопку круиз-контроля, чтобы отключить функцию круиз-контроля.

Временное увеличение мощности воздушного потока

1. Запустите изделие. См. раздел *Запуск изделия на стр. 101*.
2. Нажмите кнопку увеличения мощности, чтобы работать с максимальным воздушным потоком. Загорается светодиодный индикатор.



3. Отпустите кнопку увеличения мощности, чтобы работать с обычным воздушным потоком.

Техническое обслуживание

Введение



ПРЕДУПРЕЖДЕНИЕ: Перед выполнением обслуживания прибора необходимо ознакомиться и понять раздел безопасности.

Ниже приведен перечень необходимых для выполнения процедур технического обслуживания изделия.

График технического обслуживания

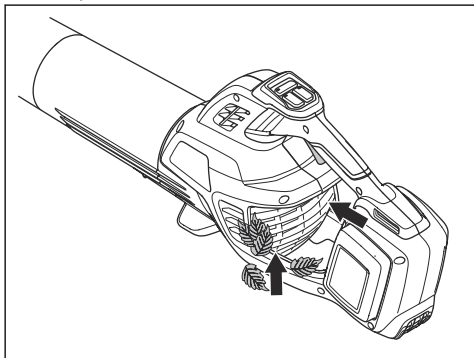


ПРЕДУПРЕЖДЕНИЕ: Перед проведением технического обслуживания извлеките аккумулятор.

Техническое обслуживание	Ежедневно	Еженедельно	Ежемесячно
Очистите инструмент снаружи чистой сухой тканью. Никогда не используйте воду.	X		
Рукоятки должны быть сухими и чистыми, без следов масла и смазки.	X		
Убедитесь, что кнопка питания работает надлежащим образом и не повреждена.	X		
Убедитесь, что переключатель работает исправно в отношении безопасности.	X		
Проверьте затяжку гаек и винтов.	X		
Проверьте целостность аккумулятора.	X		
Проверьте заряд аккумулятора.	X		
Убедитесь, что кнопки извлечения аккумулятора работают и надежно фиксируют аккумулятор.	X		
Проверьте исправность и целостность зарядного устройства аккумулятора.	X		
Убедитесь, что все соединения целые и чистые.		X	
Проверьте наличие контакта между аккумулятором и инструментом, а также между аккумулятором и зарядным устройством.			X

Проверка воздухозаборников

1. Убедитесь, что воздухозаборник не засорен.



2. При необходимости остановите изделие и удалите с него листья и прочий мусор.



ВНИМАНИЕ: Засоренный воздухозаборник приводит к снижению производительности воздуходува и повышению рабочей температуры двигателя.

Перегрев двигателя может привести к его поломке.

Проверка аккумулятора и зарядного устройства

1. Проверьте аккумулятор на наличие повреждений, например, трещин.
2. Проверьте зарядное устройство на наличие повреждений, например, трещин.
3. Проверьте соединительный шнур зарядного устройства на наличие повреждений или трещин.

Очистка изделия, аккумулятора и зарядного устройства

1. После использования очистите изделие сухой тканью.
2. Очистите аккумулятор и зарядное устройство сухой тканью. Направляющие аккумулятора должны быть очищены от грязи.
3. Перед установкой аккумулятора в зарядное устройство или изделие убедитесь, что клеммы аккумулятора и зарядного устройства не загрязнены.

Поиск и устранение неисправностей

Клавиатура

Клавиатура	Возможные неисправности	Возможные действия
Мигает зеленый светодиод	Низкий заряд аккумулятора.	Зарядите аккумулятор.

Аккумулятор

Условие	Возможные неисправности	Порядок устранения
Мигает предупреждающий светодиодный индикатор аккумулятора.	Отклонение температуры, аккумулятор слишком холодный или слишком горячий для использования.	Дайте аккумулятору остыть или переместите его в помещение, чтобы прогреть его. Когда температура аккумулятора будет соответствовать норме, его можно использовать снова. Используйте аккумулятор при температуре окружающей среды от 14°F (-10°C) до 104°F (40°C).
	Аккумулятор разряжен.	Зарядите аккумулятор.

Условие	Возможные неисправности	Порядок устранения
Загорается предупреждающий светодиодный индикатор аккумулятора.	Постоянная ошибка аккумулятора.	Обратитесь к своему дилеру.

Зарядное устройство

Условие	Возможные неисправности	Порядок устранения
Светодиодный индикатор зарядки горит красным.	Постоянная ошибка зарядного устройства.	Обратитесь в дилерский центр.
Светодиодный индикатор зарядки мигает зеленым.	Отклонение температуры: аккумулятор слишком холодный или слишком горячий для использования или зарядки.	Дайте аккумулятору остыть или прогрейте его. Когда температура аккумулятора будет соответствовать норме, его можно снова использовать или заряжать. Используйте зарядное устройство при температуре окружающей среды в диапазоне от 5 до 40 °C.
Светодиодный индикатор зарядки мигает красным.	Неисправность аккумулятора	Обратитесь к официальному дилеру

Транспортировка, хранение и утилизация

Транспортировка и хранение

- Соблюдайте утвержденные требования законодательства в отношении литий-ионных опасных грузов.
- Соблюдайте особые требования к упаковке и маркировке для коммерческих перевозок, в том числе третьими лицами и экспедиторами.
- Перед отправкой/транспортировкой изделия обратитесь к человеку, прошедшему специальную подготовку по работе с опасными материалами. Соблюдайте все применимые государственные нормативы.
- Перед помещением аккумулятора в упаковку заклейте открытые контакты изолентой. Плотно упакуйте аккумулятор для предотвращения его перемещения.
- Перед хранением или транспортировкой аккумулятора необходимо извлечь из изделия.
- Храните аккумулятор и зарядное устройство в сухом месте, не подверженном воздействию влаги и низким температур.
- Не допускается хранение аккумулятора в местах, где существует риск возникновения статического электричества. Запрещается хранить аккумулятор в металлической коробке.
- Храните аккумулятор при температуре в диапазоне 5–25 °C (41–77 °F), вдали от прямых солнечных лучей.
- Храните зарядное устройство для аккумулятора при температуре в диапазоне

5–45 °C (41–113 °F), вдали от прямых солнечных лучей.

- Используйте зарядное устройство только при температуре окружающей среды в диапазоне 5–40 °C (41–104 °F).
- Перед помещением аккумулятора на длительное хранение зарядите его на 30–50%.
- Храните зарядное устройство в сухом закрытом помещении.
- Храните аккумулятор отдельно от зарядного устройства. Не позволяйте притрагиваться к оборудованию детям и другим лицам, не имеющим соответствующего разрешения. Храните оборудование в месте, которое можно запечатать.
- Перед помещением изделия на длительное хранение очистите его от загрязнений и проведите полное обслуживание.
- Надежно закрепляйте изделие на время транспортировки.

Утилизация

Этот символ указывает на то, что данное изделие не подлежит утилизации

в качестве бытовых отходов. Изделие необходимо передать в местный центр сбора и переработки электрического и электронного оборудования. Таким образом будет обеспечено надлежащее обращение с отходами по окончании срока службы. Для получения информации обратитесь в местные органы власти, местные службы по утилизации отходов, к дилеру или продавцу. Из-за потенциального наличия опасных веществ неправильная утилизация может нанести вред окружающей среде и здоровью людей.



Примечание: Данный символ нанесен на само изделие или его упаковку.

Технические данные

Технические данные

	350iB
Электродвигатель	
Тип двигателя	BLDC (бесщеточный, постоянного тока), 36 В
Вес	
Вес без аккумулятора, кг / фунт	2,8 / 6,2
Производительность вентилятора	
Макс. скорость воздушного потока, м/с / миль/ч (с насадкой)	89,4 / 200
Макс. расход воздуха, м³/мин / куб. фут/мин	22,65 / 800
Сила воздушного потока, Н	23,5
Предельные температуры	

	350iB
Температура окружающей среды для работы, °F / °C	14–104/-10–40
Температура окружающей среды для хранения, °F / °C	41–77/5–25

Рекомендованные аккумуляторы для изделия

Аккумулятор	40-B140	BLi22	BLi30	BLi200	BLi300
Тип	Литий-ионный	Литий-ионный	Литий-ионный	Литий-ионный	Литий-ионный
Емкость аккумулятора, А·ч	4,0	4,2	7,7	5,0	9,0
Номинальное напряжение, В	36	36	36	36	36
Вес, кг / фунт	1,2 / 2,7	1,3 / 2,9	1,9 / 4,2	1,3 / 2,9	1,9 / 4,2
Тип зарядного устройства	40-C80, QC250	40-C80, QC250	QC250	QC500	QC500

Рекомендованные зарядные устройства

Зарядное устройство	40-C80	QC250	QC500
Входное напряжение, В	100–240	100–240	100–240
Частота, Гц	50–60	50–60	50–60
Мощность, Вт	80	250	500

Рекомендованные аккумуляторы для изделия

Аккумулятор	40-B140	BLi22	BLi30
Тип	Литий-ионный	Литий-ионный	Литий-ионный
Емкость аккумулятора, А·ч	4,0	4,2	7,7
Номинальное напряжение, В	36	36	36
Вес, кг / фунт	1,2 / 2,7	1,3 / 2,9	1,9 / 4,2
Тип зарядного устройства	40-C80, QC250	40-C80, QC250	QC250

Рекомендованные зарядные устройства

Зарядное устройство	QC250	40-C80
Входное напряжение, В	100-240	100-240
Частота, Гц	50-60	50-60
Мощность, Вт	250	80



www.husqvarna.com

Original instructions
Instructions d'origine
Instrucciones originales

Instruções originais
Оригинальные инструкции



1143586-70



2025-09-30