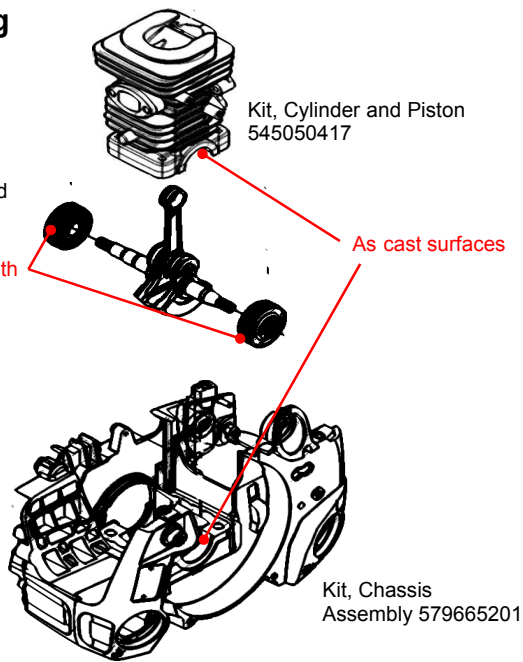


Slip Fit Bearing

Assembly Crankshaft
580302601

Assy Main Bearing and
Seal 576243901

Slip fit bearings with
seals attached



Applies to SKUs:

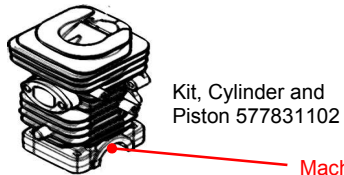
966639901, 966639902, 966639903,
966639906, 966640403, 966640404, 966511226

Hardmount Bearing

Applies to SKUs:

967326401, 967326402, 967326403,
967326406, 967326501, 967326502, 967326001

Pressed-on bearings
with separate seals

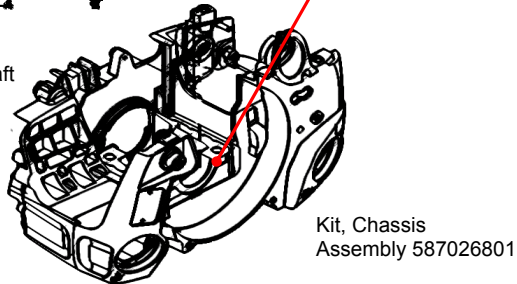


Machined surfaces

NOTE: Not backwards compatible with slip
fit bearing models

Assembly Crankshaft
577830802

Seals
581608001



Kit, Chassis
Assembly 587026801