

# Illustrated Parts List - IPL Update



Product Name(s)

**562XP/XPG**

Description of change

1. Silicon for sealing cylinder with crankcase, added .
2. New fuel tank ventilation kit. Due to warm start problem.

Comments

This update is fully exchangeable.

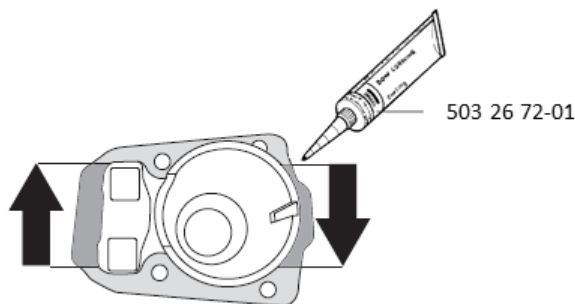
Introduced from

Serial number / Date	Remark
20142400001	Silicon 503 26 72-01 added.
20144300001	Fuel tank ventilation kit 587 64 54-01.

IPL updates

Page Title	Ref. no	New part no	Name	Excl. part no.	Remark
Accessories	16	5032672-01	Glue (Silicon)		
Carburetor & air filter	9	5876454-01	Fuel tank ventilation kit	5253443-01	

1. Cylinder sealing area.



2. Fuel tank ventilation kit.

