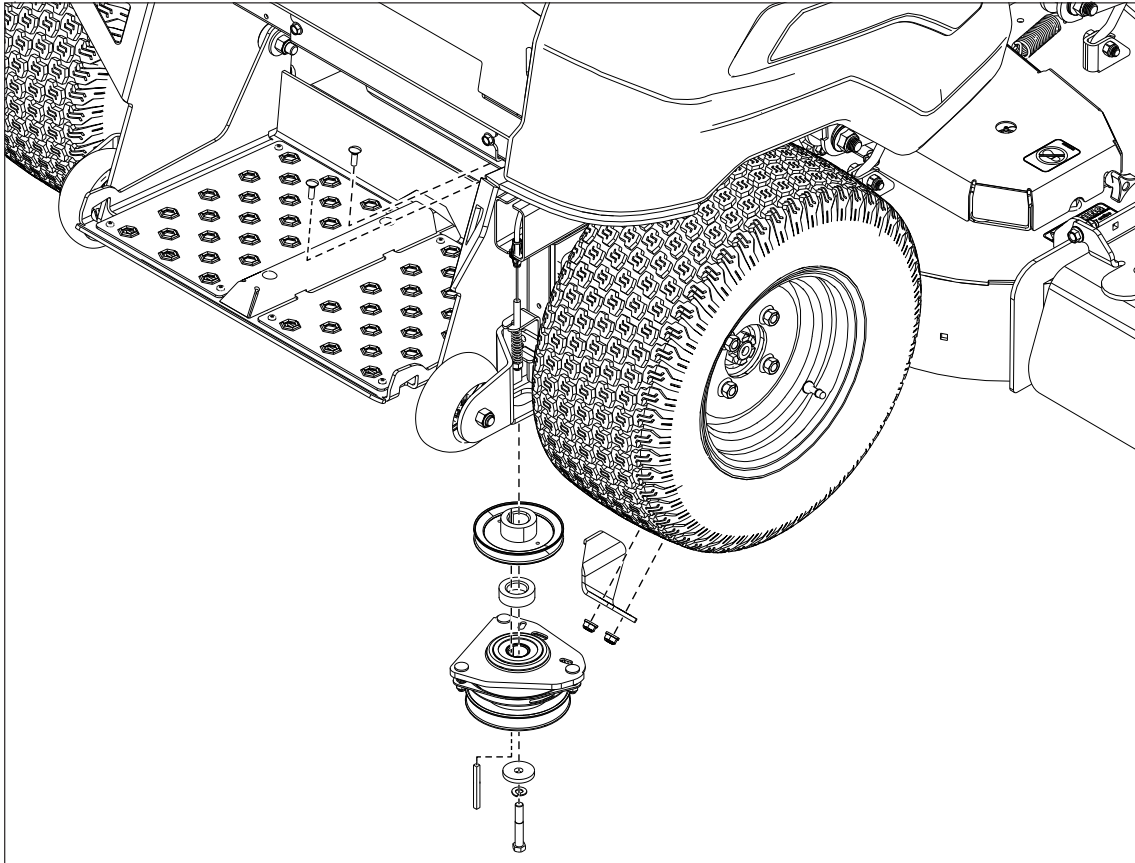


ELECTRIC CLUTCH KIT #529745501

INSTALLATION INSTRUCTIONS

⚠ WARNING! Before performing service or maintenance:

- Engage the parking brake.
- Disengage the blade switch.
- On models with a keyed ignition, turn the ignition switch to the OFF position and remove the key.
- On models with a smartSwitch™ Ignition System, shut the engine off and lock the smartSwitch Ignition.
- Make sure the blades and all moving parts have stopped.



REPLACEMENT OF ELECTRIC CLUTCH AND ENGINE PULLEY

INSTALL CLUTCH PULLEY TO CLUTCH

- Using the four new M8 X1.25 bolts install new clutch pulley to new clutch and torque bolts to 18-20 ft-lbs.

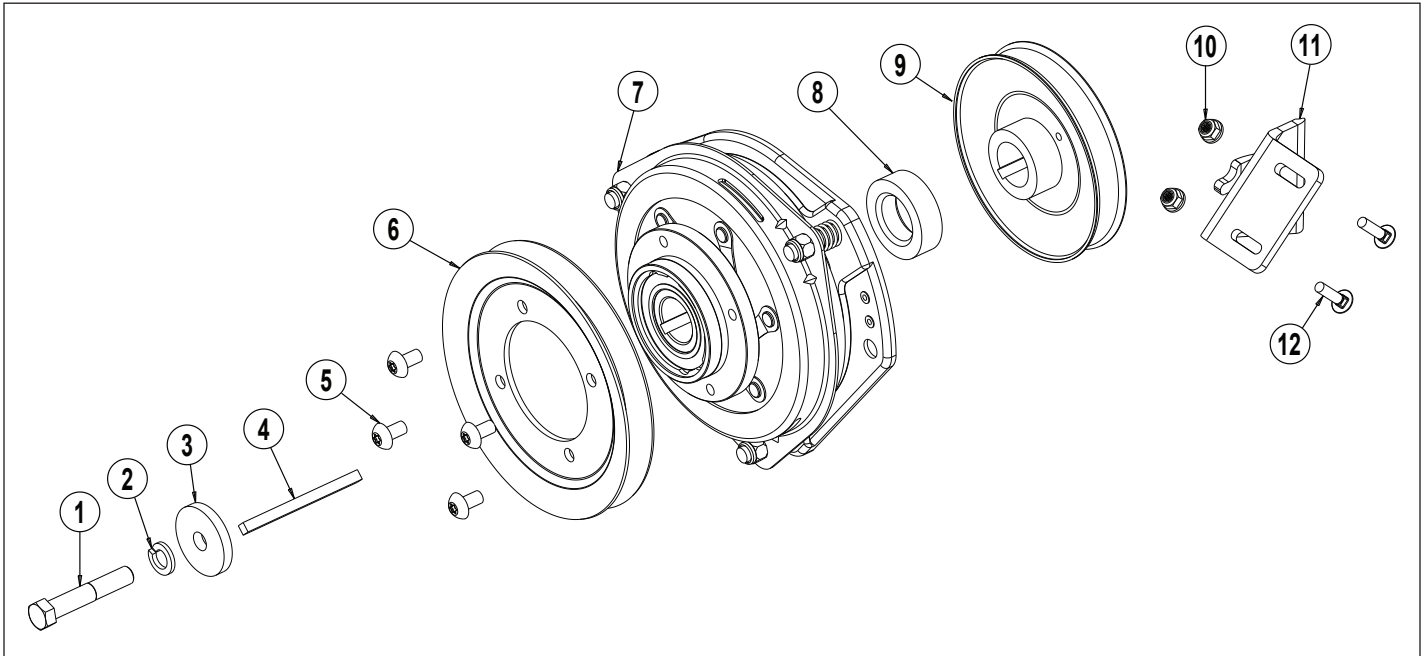
INSTALL CLUTCH ASSEMBLY TO ENGINE

- Set parking brake.
- Cut plastic wire tie securing the electric clutch wiring harness.
- Disconnect electric clutch harness from chassis harness.
- Remove clutch bolt, lock washer and washer from crankshaft. Discard old clutch bolt, lock washer and washer.
- Remove electric clutch and engine pulley from crankshaft. Discard old electric clutch and engine pulley.

- Remove the two bolts and two nuts from the engine plate and remove clutch stop bracket. Discard old clutch stop bracket.
- Install new engine pulley. Route v-belt around pulley which will help to hold pulley in place.
- Install new clutch stop bracket to engine plate using two new 1/4-20 x 1 bolts and two 1/4-20 nuts.
- Install new engine spacer and electric clutch with clutch stop bracket end captured in clutch bracket slot. Secure clutch to crankshaft with new washer, lock washer and clutch bolt.
- Ensure the lock washer is fully compressed, and torque clutch bolt to 50-65 ft-lbs.
- Secure wire harness leading to electric clutch with new plastic wire tie to keep wiring away from moving parts.

ELECTRIC CLUTCH KIT #529745501

KIT CONTENTS



Ref.	Part No.	Qty	Description
1	581332806	1	BOLT.ELE.CLUTCH.2.5"W/THREAD LOCK
2	596238901	1	WASHER.7/16 IN.CLR.Zn
3	596770301	1	WASHER_0.469 X 1.75 CLR ZINC
4	525749901	1	KEY, 1/4 SQ X 3.5
5	599283801	4	BOLT.HEX.M8X15 8.8ZP-BLK.LOCK
6	593009101	1	PULLEY.OGURA.GT3.5.OP.CLUTCH
7	590500901	1	CLUTCH.OGURA.GT3.5.BOLT-ON
8	590680602	1	SPACER.ENGINE.PULLEY
9	510019801	1	PULLEY, ENGINE
10	582478602	2	NUT.FLG.NYLOCK.1/4-20GR
11	599224302	1	BRACKET.CLUTCH.STOP.X431
12	592807801	2	BOLT.1/4-20X1".ZN.SQUARE_NECK

FOR FUTURE REFERENCE AND REPAIR PARTS ORDERING, KEEP THIS INSTRUCTION SHEET WITH YOUR OPERATOR MANUAL.