

Illustrated Parts List - IPL Update



Product Name(s)

572XP/XPG

Description of change

New Crankcase assy.
 New page, SHORT BLOCK introduced, includes Shortblock
 Reason: Improved durability of crankcase.

Comments

New article Crankcase 590 19 56-03 is fully interchangeable.
 New article Guide bushing 593 80 60-01 is fully interchangeable.

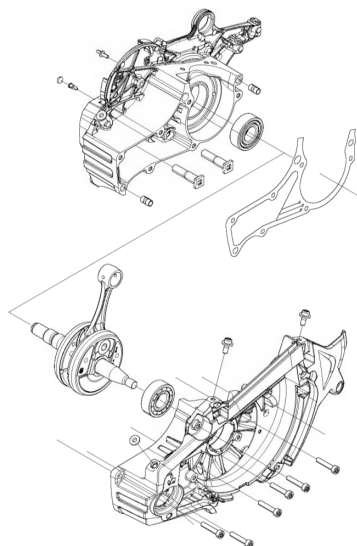
Introduced from

Serial number / Date	Remark
20190600173	CRANKCASE ASSY 590 19 56-03
20190600173	CRANKCASE ASSY SHORTBLOCK 582 75 20-03
20190600173	GUIDE BUSHING 593 80 60-01

IPL updates

Page Title	Ref. No	New part no	Name	Excl. part no.	Remark
CRANKCASE	1	590 19 56-03	CRANKCASE ASSY	590 16 56-01	
	6	593 80 60-01	GUIDE BUSHING	501 27 08-01	
SHORTBLOCK	1	582 75 20-03	SHORTBLOCK		New spare part

SHORT BLOCK



582 75 20-03